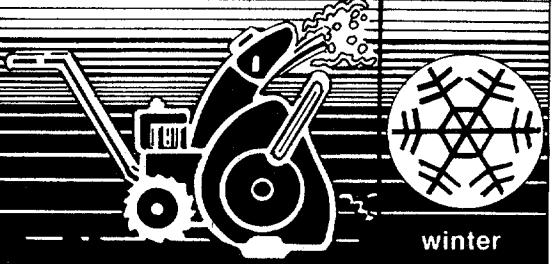
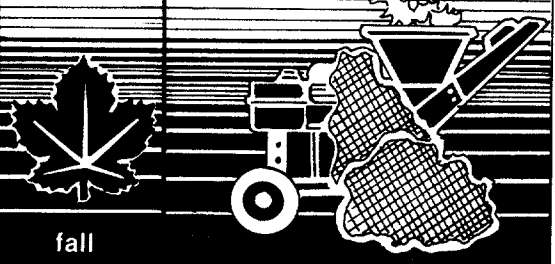
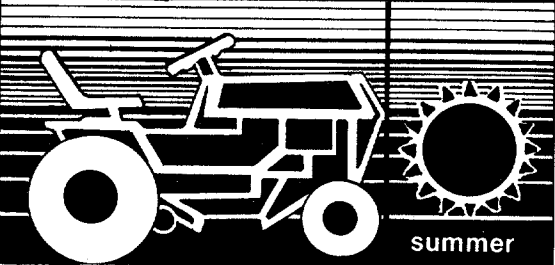
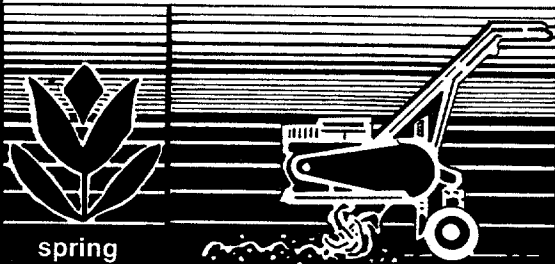


OWNER'S GUIDE

OUTDOOR POWER EQUIPMENT
for all seasons



POWER VACUUMS

Model Numbers
245-675-000
245-685-000
245-689-000
24677S
24687S

Important:
Read Safety Rules and
Instructions Carefully

Thank you for purchasing
an American-built product.

INDEX

Safe Operation Practices	3	Maintenance	10
Assembly Instructions	4	Off-Season Storage	
Operation	9	Illustrated Parts	12, 14
Adjustments	9	Replacement Parts List	13, 15
Lubrication	10		



Instructions given with this symbol are for personal safety. Be sure to follow them.

LIMITED WARRANTY

For one year from the date of original retail purchase, MTD PRODUCTS INC will either repair or replace, at its option, free of charge, F.O.B. factory or authorized service firm, any part or parts found to be defective in material or workmanship. Transportation charges for the movement of any power equipment unit or attachment are the responsibility of the purchaser. Transportation charges for any parts submitted for replacement under this warranty must be paid by the purchaser unless such return is requested by MTD PRODUCTS INC.

This warranty will not apply to any part which has become inoperative due to misuse, excessive use, accident, neglect, improper maintenance, alterations, or unless the unit has been operated and maintained in accordance with the instructions furnished. This warranty does not apply to the engine, motor, battery, battery charger or component parts thereof. Please refer to the applicable manufacturer's warranty on these items.

This warranty will not apply where the unit has been used commercially.

Warranty service is available through your local authorized service dealer or distributor. If you do not know the dealer or distributor in your area, please write to the Customer Service Department of MTD.

The return of a complete unit will not be accepted by the factory unless prior written permission has been extended by MTD.

This warranty gives you specific legal rights. You may also have other rights which vary from state to state.



This unit is equipped with an internal combustion engine and should not be used on or near any unimproved forest-covered, brush-covered or grass-covered land unless the engine's exhaust system is equipped with a spark arrester meeting applicable local or state laws (if any). If a spark arrester is used, it should be maintained in effective working order by the operator.

In the State of California the above is required by law (Section 4442 of the California Public Resources Code). Other states may have similar laws. Federal laws apply on federal lands. A spark arrester muffler is available at your nearest engine authorized service center.



IMPORTANT

It is suggested that this manual be read in its entirety before attempting to assemble or operate. Keep this manual in a safe place for future reference and for ordering replacement parts.

This unit is shipped WITHOUT GASOLINE or OIL. After assembly, see separate engine manual for proper fuel and engine oil recommendations.

SAFE OPERATION PRACTICES FOR POWER VACUUMS

1. Read this operating and service instructing manual carefully. Be thoroughly familiar with the controls and proper use of the power vacuum.
2. Never allow children to operate this power vacuum.
3. Keep the area of operation clear of all persons, particularly small children and pets.
4. Check fuel before starting engine. Do not fill fuel tank indoors, when engine is running, or while engine is hot. Wipe off any spilled fuel before starting engine.
5. Do not change engine governor settings.
6. Do not put hands near rotating parts for any reason.
7. If the power vacuum should start to vibrate abnormally, stop the engine and check immediately for the cause. Vibration is generally a warning of trouble.
8. Before cleaning, repairing or inspecting, make certain all moving parts have come to a complete stop. Disconnect spark plug wire and keep wire away from plug to prevent accidental starting. Also keep throttle control lever in the stop position.
9. If the power vacuum should become blocked with debris at any point, shut engine off and wait until the impeller comes to a complete stop before attempting to remove the obstruction. Disconnect spark plug wire to prevent accidental starting.
10. Check all bolts for tightness at frequent periods.
11. Never store this power vacuum with fuel in the tank. Allow engine to cool before storing in any enclosure.
12. Keep bag and equipment free of debris when not in use.
13. Never operate this power vacuum unless air duct and vacuum bag are properly affixed in their place. Large zippered end of bag must be closed when operating to prevent objects from being blown out.
14. Never empty vacuum bag when engine is running.
15. Never change inlet nozzle or auxiliary hose attachment when engine is running.
16. The manufacturer recommends that the operator wear safety glasses or some other suitable eye protection when operating this machine.
17. Check the vacuum bag frequently for wear and replace when necessary.
18. Never operate as a leaf blower unless impeller guard and guard assembly are properly affixed in their place.
19. Exercise caution whenever operating as a leaf blower. Do Not allow discharge to be pointed in the direction of persons.
20. No one should operate this unit while intoxicated or while taking medication that impairs the senses reactions.

ASSEMBLY INSTRUCTIONS

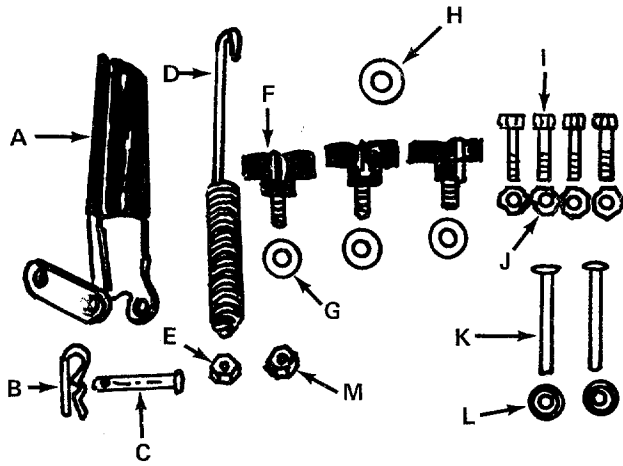


FIGURE 1

CONTENTS OF HARDWARE PACK (See figure 1)

- A (1) Clutch Grip Assembly*
- B (1) Hair Pin Cotter*
- C (1) Clevis Pin*
- D (1) Extension Spring*
- E (1) Lock Nut 1/4-20 Thread*
- F (3) Hand Knobs
- G (3) Belleville Washers
- H (1) Heavy Flat Washer
- I (4) Hex Bolts 1/4-20 x 1.75" Long
- J (4) Hex Lock Nuts 1/4-20 Thread
- K (2) Stud Pins
- L (2) Push-on Speed Nuts
- M (1) Hex Jam Nut 1/4-20 Thread*

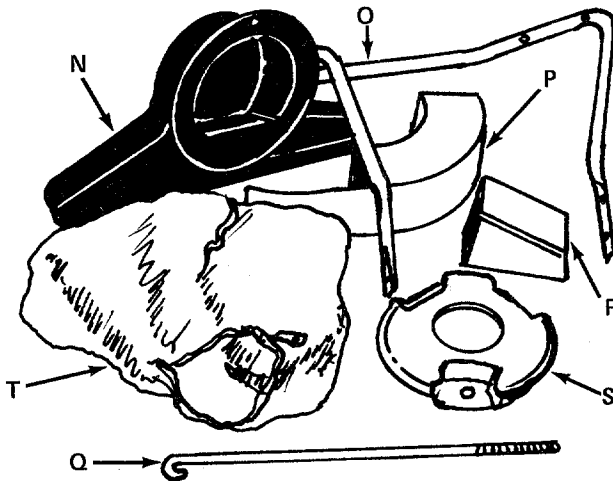


FIGURE 2

LOOSE PARTS IN CARTON (See figure 2)

- N (1) Nozzle
- O (1) Upper Handle
- P (1) Air Duct Assembly
- Q (1) Clutch Rod*
- R (1) Directional Discharge Assembly
- S (1) Impeller Guard
- T (1) Bag

*Self-Propelled Models Only.

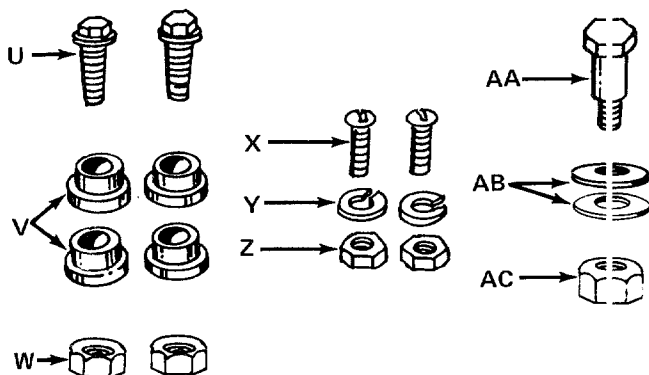
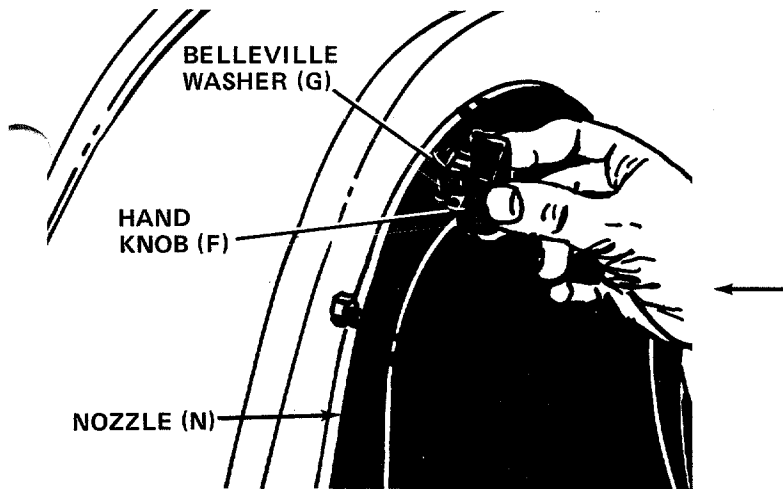


FIGURE 3

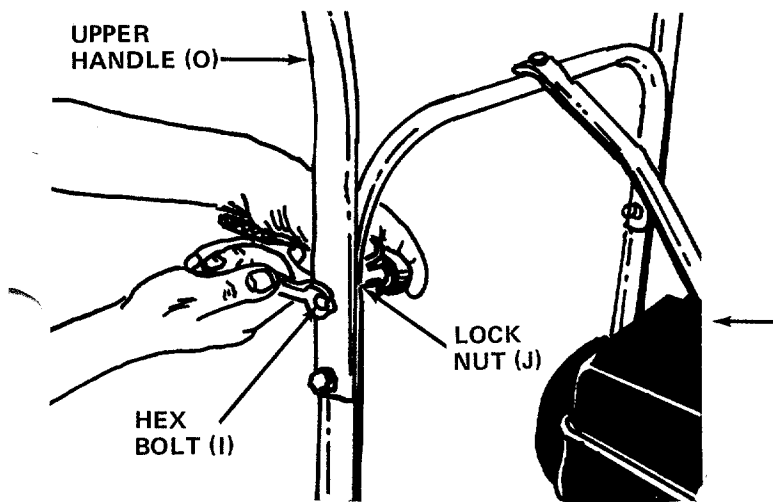
TOW BAR KIT- Standard with push models. (See figure 3) Optional with self-propelled models.

- U (2) Hex Bolts 5/16-18 x 1.00" Long
- V (4) Shoulder Spacers
- W (2) Hex Nut 5/16-18 Thread
- X (1) Truss Machine Screw 1/4-20 x .75" Long
- Y (1) Lock Washer 1/4" I.D.
- Z (1) Hex Nut 1/4-20 Thread
- AA (1) Shoulder Bolt
- AB (2) Belleville Washers 3/8" I.D.
- AC (1) Hex Jam Lock Nut 3/8-16 Thread
- (2) Tow Bar Halves (Not Shown)



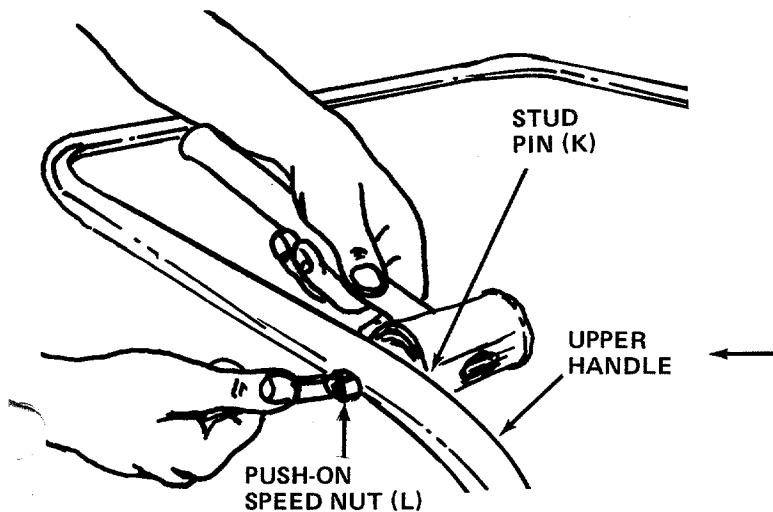
1. Place nozzle (N) in position on front of housing so that it rests in flanges. Secure with one hand knob (F) and belleville washer (G). See figure 4.

FIGURE 4



2. Place the upper handle (O) in position over lower handle. Fasten with four hex bolts (I) and lock nuts (J) provided. See figure 5. Two 7/16" wrenches are required.

FIGURE 5



3. Place the stud pins (K) in holes in upper handle (head of pins go to the inside of handle). Secure pins with push-on speed nuts (L) by holding speed nut with box wrench and tapping pin with hammer. See figure 6.

FIGURE 6

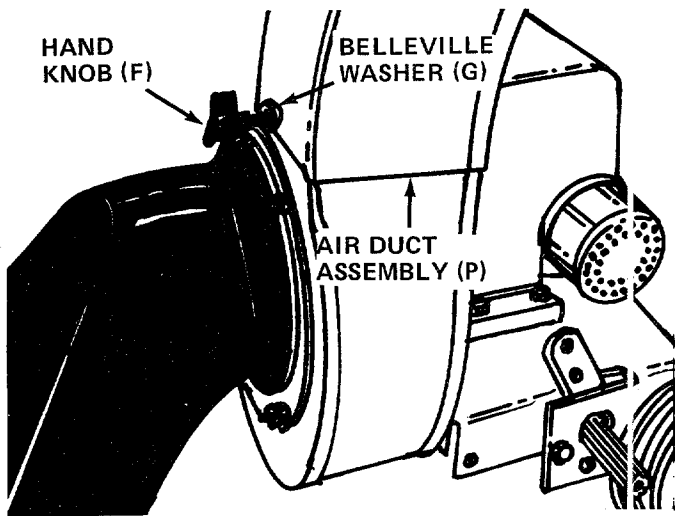


FIGURE 7

- Place air duct assembly (P) over opening on top of housing. Secure with two hand knobs (F) and Belleville washer (G). See figure 7.

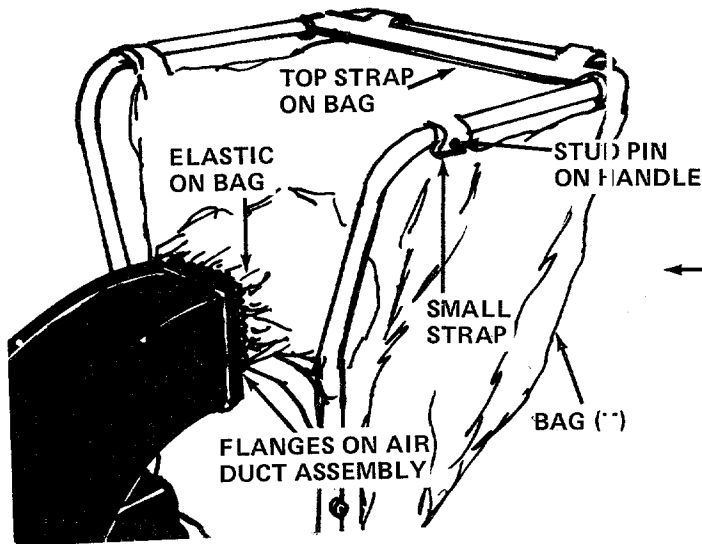


FIGURE 8

- Assemble the bag by slipping the top straps on bag (T) over upper handle. Hook two small straps over stud pins on handle. Slip elastic opening of bag over air duct assembly. See figure 8.



Be certain elastic on bag is placed over the flanges on air duct assembly.

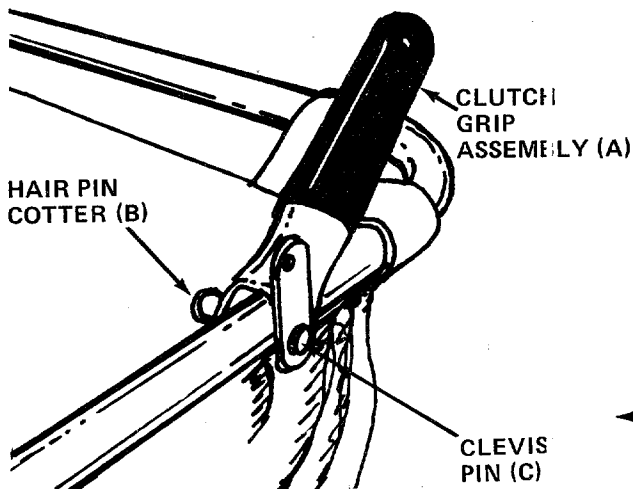
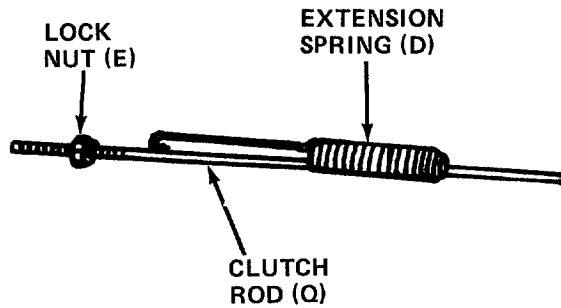


FIGURE 9

- Assemble the clutch grip (A) to the left hand side of upper handle. Secure in place with clevis pin (C) and hair pin cotter (B). See figure 9. Head of clevis pin should be to the outside of handle.

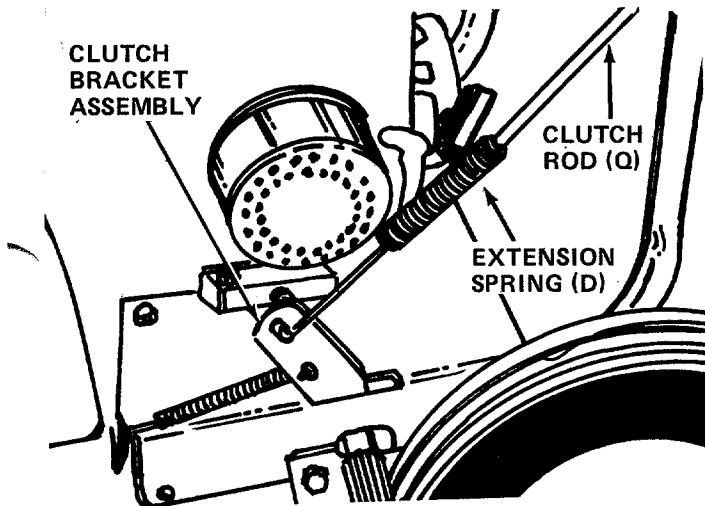


Steps 6, 7, 8 and 9 are for self-propelled units only.



- Slide the extension spring (D) onto clutch rod (Q) as shown in figure 10. Thread lock nut (E) onto clutch rod approximately 2-1/2 inches.

FIGURE 10



- Hook top (hooked end) of clutch rod into clutch grip. Hook spring into clutch bracket assembly. See figure 11. Spring should not have any slack. Adjust nut so that when the clutch grip is all the way up, there is no slack in the spring.
- Thread hex jam nut (M) onto clutch rod, and lock it against the lock nut (E).

FIGURE 11

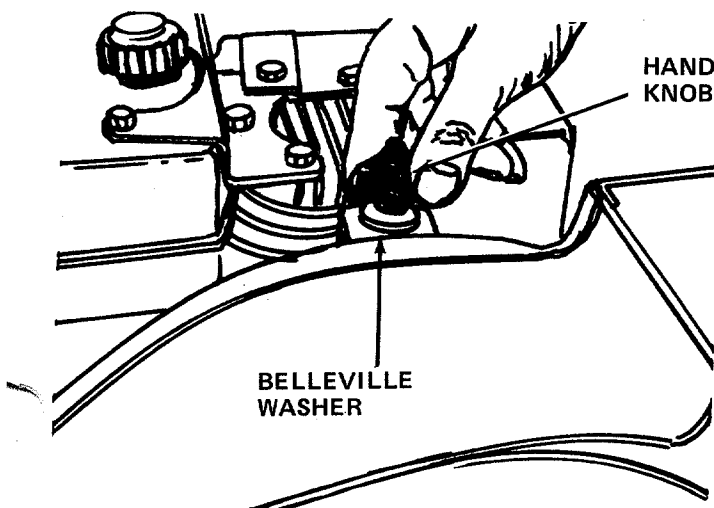


FIGURE 12

ASSEMBLY INSTRUCTIONS

To Convert from a Vacuum to a Leaf Blower.



Engine must be stopped (off) and spark plug wire disconnected.

- Remove the bag.
- Remove the air duct assembly by removing two hand knobs and belleville washers.
- Remove the nozzle by removing one hand knob and belleville washer.
- Remove the hand knob and belleville washer holding the housing to engine brace. See figure 12.

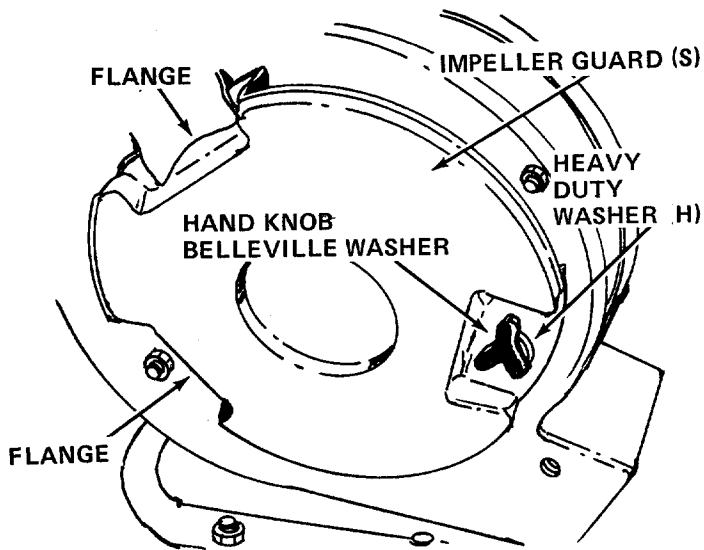


FIGURE 13

5. Lift up and out on the housing and rotate it 105° clockwise. Chute opening should be to the right hand side when viewed from the front of unit. See figure 13.
6. Place the impeller guard (S) into flanges on front of housing. Line up hole in guard with hole on housing. Secure with one hand knob, belleville washer and heavy flat washer (H). See figure 13.

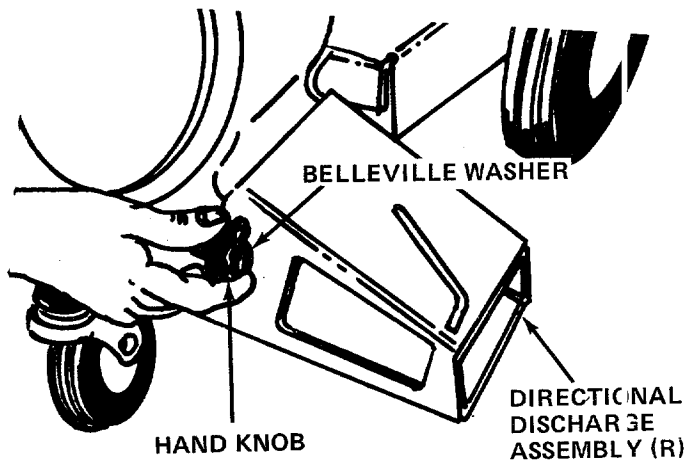


FIGURE 14

7. Place the directional discharge assembly (R) over chute opening. Secure with two hand knobs and belleville washers. See figure 14.

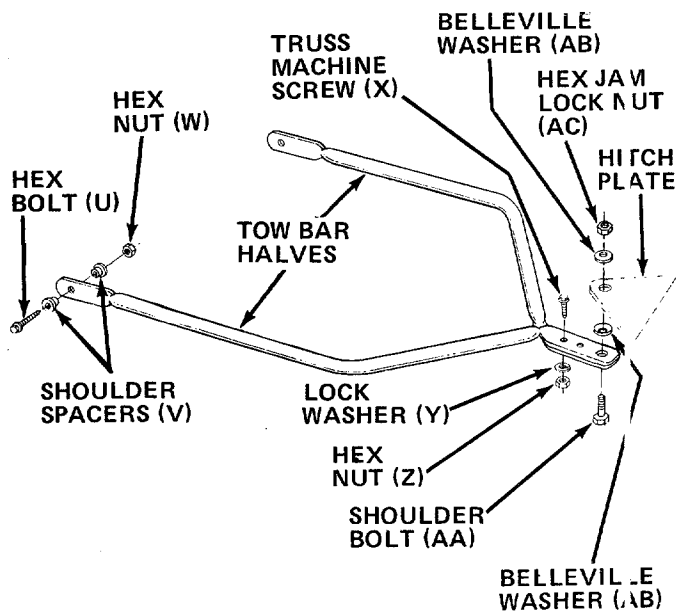


FIGURE 15

ASSEMBLY INSTRUCTIONS for Tow Bar Kit (Optional)

1. Remove the self-tapping screws on each side of frame. Refer to drawing on page 12, reference number 42.
2. Place tow bar half in position on frame. Place one shoulder spacer (V) between frame and tow bar. Next, place shoulder spacer (V) and hex bolt (U) through tow bar and frame. Secure with hex nut (W). See figure 15. Repeat for other side.
3. Secure the two tow bar ends together with truss machine screws (X), lock washers (Y) and hex nuts (Z). See figure 15.

To attach the tow bar to a hitch, place the shoulder bolt (AA) up through the tow bar. Place one belleville washer (AB) on the shoulder bolt, then the hitch plate and the other belleville washer. Cupped side of the washers must be against the hitch plate. Secure with hex jam lock nut (AC). See figure 15.

OPERATION

PRE-START PREPARATIONS

Service engine with gas and oil. See engine manual packed with vacuum for complete instructions for care and maintenance of engine. READ DIRECTIONS CAREFULLY.



CAUTION
REVOLVING BLADES-KEEP
HANDS AWAY FROM ALL
OPENINGS

3450

TO START ENGINE

After the engine has been properly fueled and oiled (refer to engine operating and maintenance instructions), start engine following the instructions below.

1. Move throttle control lever on engine to START position.
2. Crank engine. Pull recoil with quick firm pull. Do not pull out so far the rope stops with a jerk as this will cause rope failure. Do not allow rope and handle to snap back into place.
3. After two or three full firm pulls on recoil (or as soon as engine fires), move speed control to RUN position.
4. **Self Propelled Models Only** - To engage the drive mechanism, squeeze the clutch grip against the upper handle. Release the clutch grip to stop the forward motion.

TO STOP ENGINE

1. To stop engine, move throttle control lever to STOP position.
2. Disconnect spark plug wire and ground to prevent accidental starting while equipment is unattended.

Operate a new engine at intermediate speeds and light load for the first few hours as you would a new automotive engine.



IMPORTANT

The vacuum bag may have an air escape located on the upper right hand side. See figure 16. The air escape can be opened if the vacuum is operated in wet, sandy or muddy conditions.

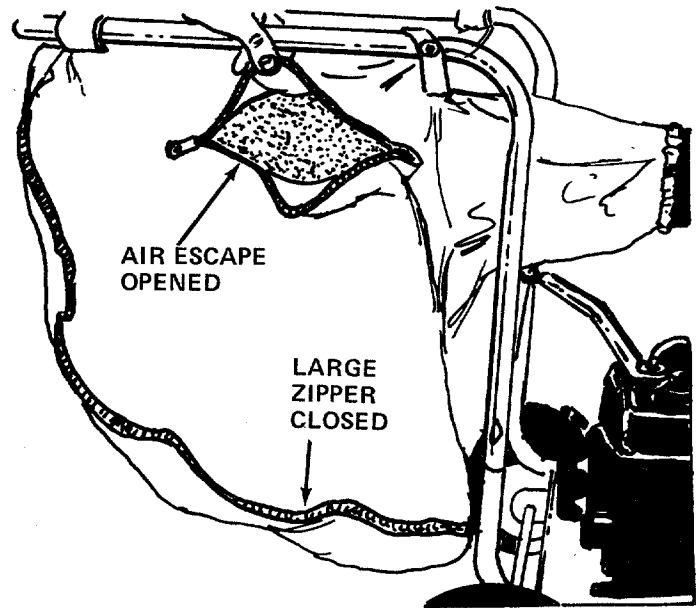


FIGURE 16

ADJUSTMENTS



CAUTION

Do not at any time make any adjustment to the unit without first stopping engine and disconnecting spark plug wire.

HEIGHT ADJUSTMENT

To adjust the height of the nozzle, stand on the right hand side of vacuum and move the index handle towards the engine. Move handle towards rear of unit to lower height. Move the handle forward to raise the height. See figure 17.

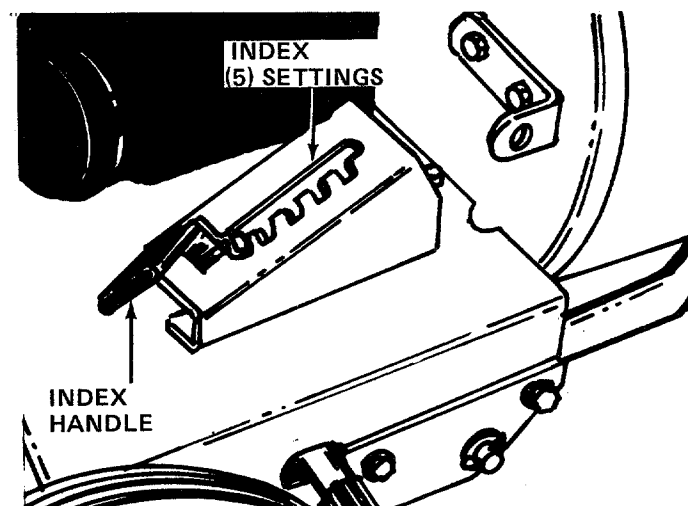


FIGURE 17

CARBURETOR ADJUSTMENT



WARNING

If any adjustments are made to the engine while the engine is running (e.g. carburetor), disengage all clutches. Keep clear of all moving parts. Be careful of heated surfaces and muffler.

If carburetor needs adjustment to start or for operation, see "Carburetor Adjustment" section of engine manual.

CLUTCH ROD ADJUSTMENT (Self Propelled Models Only)

To adjust the clutch rod, refer to step numbers 8 and 9 under assembly instructions.

LUBRICATION

Wheels - Rear wheels are provided with oil lite bearings. Place a few drops of SAE 30 oil on each bearing once a season.

Gear Box (Self Propelled Models Only) - The gear box lubricated with 2 ounces of High Temp. (450° F.) grease. Order part number 737-0133. Periodically check lubricant level by removing the two self-tapping screws on the gear box cover and lifting off the cover. Do not change grease; simply add if necessary.

MAINTENANCE



WARNING

Disconnect spark plug wire and ground it against the engine before performing any repairs or maintenance.

BELT REPLACEMENT (Self Propelled Models Only)

1. Remove the nozzle or impeller guard from front of blower housing.
2. Remove hex bolt and lock washer from center of impeller. See figure 18. A 9/16" socket wrench with extension is needed.
3. Remove hand knob and belleville washer from top of housing.
4. Remove two self-tapping screws which hold the belt guard. See figure 19. A 3/8" wrench is required. Lift off belt guard.

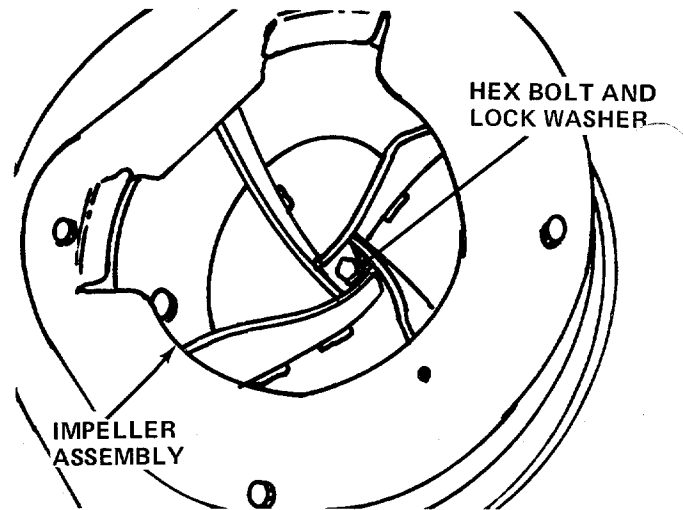


FIGURE 18

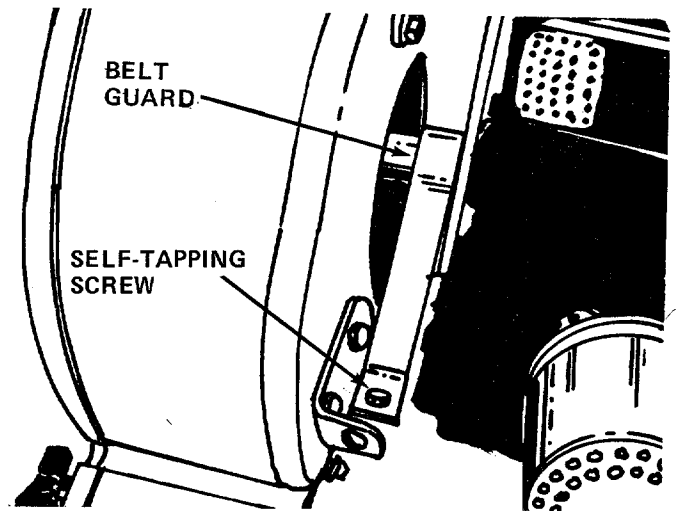


FIGURE 19

5. Slide belt off the impeller pulley. Slide housing and impeller off engine crankshaft. Be careful to not lose square key. See figure 20.

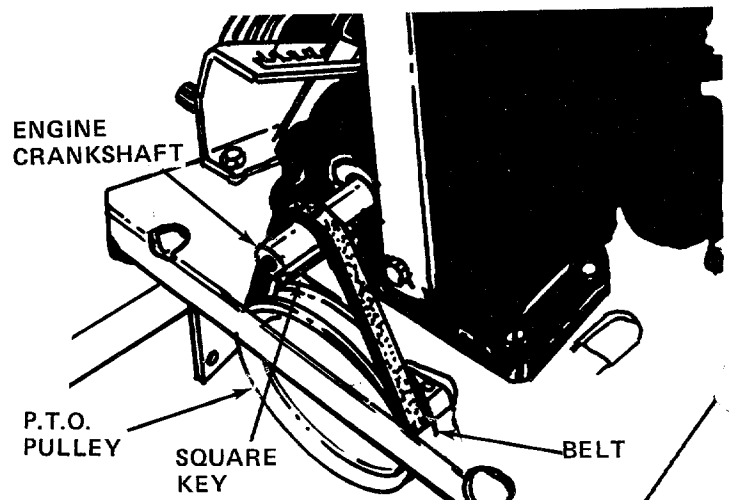


FIGURE 20

6. Slide impeller and blower housing assemblies off crankshaft.
7. Remove belt from P.T.O. pulley and install new belt. See figure 20.



When reassembling the new belt, the aid of another person will be helpful.

8. Turn the crankshaft until the key way on shaft is directly on top. While holding housing assembly and impeller assembly, line up the key way on the pulley with the key on the crankshaft, and slide housing and impeller assemblies onto crankshaft.
9. Secure impeller to crankshaft with hex bolt and lockwasher, removed in step 2. Tighten securely.
10. Slip belt over impeller pulley and reassemble the belt guard.
11. Secure blower housing with hand knob and washer.
12. Reassemble the nozzle or impeller guard.

OFF-SEASON STORAGE

The following steps should be taken to prepare the unit for storage.

1. Clean the engine and the entire unit thoroughly.
2. Refer to engine manual for correct engine storage instructions.
3. Store unit in a clean, dry area.



When storing any type of power equipment in an unventilated or metal storage shed, care should be taken to rustproof the equipment. Using a light oil or silicone, coat the equipment, especially springs and bearings.

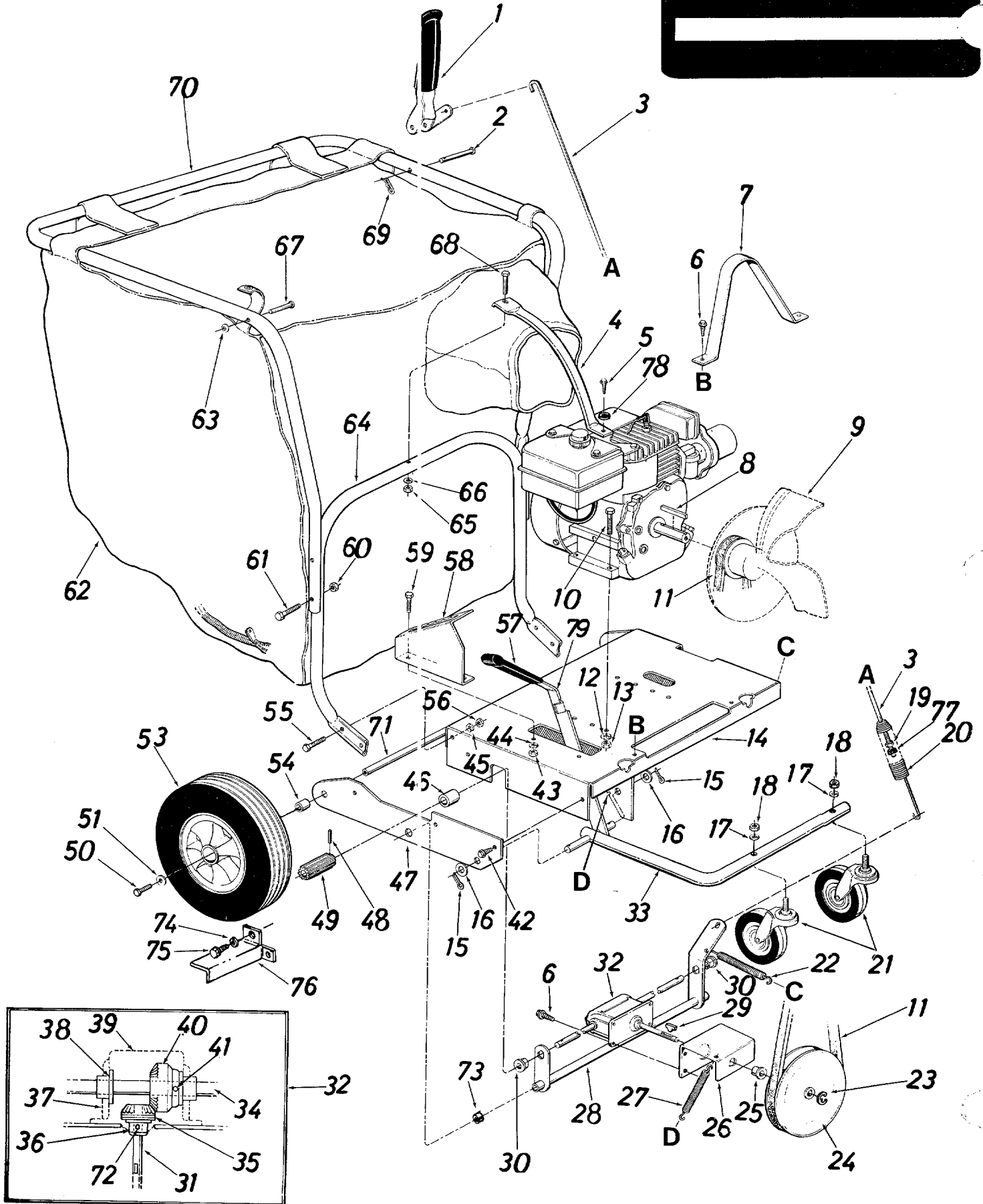
TROUBLE SHOOTING CHART

PROBLEM	CAUSE	REMEDY
1. Excessive vibration.	A. Bent crankshaft. B. Vane plate out of balance.	A. Replace crankshaft (should be done by an authorized service dealer). B. Replace vane plate.
2. Height adjustment slips out of lockout position.	Handle bent.	Replace index handle and index plate.
3. Engine fails to start.	A. Check fuel tank for gas. B. Spark plug lead wire disconnected. C. Faulty spark plug.	A. Fill tank if empty. B. Connect lead wire. C. Spark should jump gap between control electrode and side electrode. If spark does not jump, replace the spark plug.
4. Hard starting or loss of power.	A. Spark plug wire loose. B. Dirty air cleaner.	A. Connect and tighten spark plug wire. B. Clean air cleaner as described in engine manual.
5. Engine overheats.	A. Carburetor not adjusted properly. B. Air flow restricted. C. Engine oil level low.	A. Adjust carburetor. See engine manual. B. Remove blower housing on engine and clean as described in the engine manual. C. Fill crankcase with the proper oil.

NOTE: For repairs beyond the minor adjustments listed above, please contact your local service dealer.

Models 675, 685 and 689

IF YOU WRITE TO US ABOUT THIS ARTICLE
OR IF YOU ORDER REPLACEMENT PARTS AL-
WAYS MENTION THIS MODEL & SERIAL NO
MODEL



675/685/689

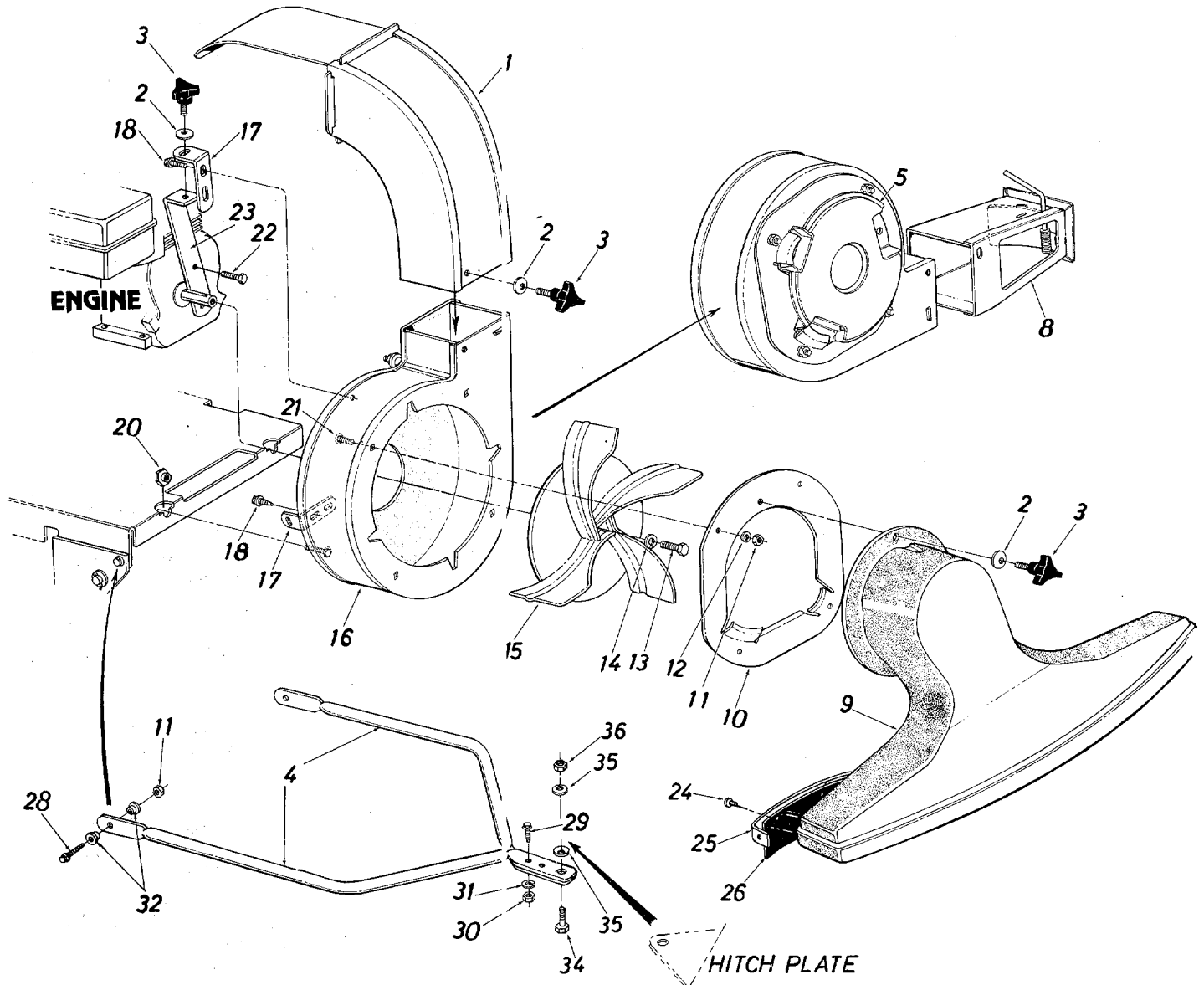
PARTS LIST FOR MODELS 675, 685, 689, 24677 and 24687 POWER VACUUMS

REF. NO.	PART NO.	COLOR CODE	DESCRIPTION	NEW PART	REF. NO.	PART NO.	COLOR CODE	DESCRIPTION	NEW PART
1	05778		Clutch Grip Ass'y. †		39	08187		Gear Box Cover †	
2	711-0679		Clevis Pin .375" Dia. x 1.88" Lg. †		40	748-0135		Bevel Gear .62" I.D. x 28 Teeth †	
3	747-0154		Clutch Rod 32" Lg. †		41	715-0246		Spring Pin Spiral 3/16" Dia. x 1.25" Lg. †	
4	749-0482		Handle Brace (5 H.P.)		42	710-0726		Hex Wash. Hd. "AB" Tap Scr. 5/16" x .75" Lg.	
	749-0484		Handle Brace (8 H.P.)		43	712-0267		Hex Nut 5/16-18 Thd.*	
5	-----		Part of Engine		44	736-0119		L.-Wash. 5/16" I.D.*	
6	710-0776		Hex Wash. Hd. AB Tap Scr. 1/4" x .62" Lg. †		45	736-0119		L.-Wash. 5/16" I.D.*	
7	14558		Belt Guard †		46	748-0201		Spacer .63 I.D. x .88" O.D. x .56" Lg. †	
8	714-0114		Square Key 1/4" x 1/4" x 2.00" Lg.		47	14530-488		Side Plate	
9	14536-488		Air Vane Plate Ass'y. (675 and 677)		48	715-0247		Spring Pin Spiral 3/16" Dia. x 1.0" Lg. †	
	14557-488		Air Vane Plate Ass'y. w/pulley †		49	748-0288		Drive Pinion †	
10	710-0442		Hex Bolt 5/16-18 x 1.50"*		50	710-0170		Hex Locking Bolt 5/16-24 x .62" Lg.	
11	754-0219		"V"-Belt 1/2" x 26" Lg. †		51	736-0159		Fl.-Wash. .34" I.D. x 87" O.D.	
12	736-0119		L.-Wash. 5/16" I.D.*		53	734-1035		Wheel Ass'y. - Comp. 12" x 3" (Incl. Ball Bearings)	
13	712-0267		Hex Nut 5/16-18 Thd.*			734-1184		Wheel Ass'y. Comp. 10.5" x 4" (677 Only)	
14	14527-488		Engine Mounting Frame Ass'y.		54	741-0313		Bearings (677 Only)	
15	1544-009		Cotter Pin 5/32" Dia. x 1.25"*			750-0194		Spacer .63" I.D. x 1.00" O.D. x .94" Lg. (675,685,687)	
16	736-0187		Fl.-Wash. .63" I.D. x 1.25" O.D.			748-0192		Spacer .63" I.D. x .878" O.D. x .79" Lg. (677)	
17	736-0921		L.-Wash. 1/2" I.D.*		55	710-0118		Hex Bolt 5/16-18 x .75" Lg.	
18	712-0206		Hex Nut 1/2-13 Thd.*		56	712-0267		Hex Nut 5/16-18 Thd.*	
19	712-0107		Hex Cent. L.-Nut 1/4-20 Thd.		57	720-0142		Flat Grip Vinyl	
20	732-0411		Extension Spring .78" O.D. x .750" Lg. †		58	14561		Index Plate	
21	734-1036		Swivel Caster Wheel 5" Dia. x 1.25"		59	710-0118		Hex Bolt 5/16-18 x .75" Lg.*	
22	732-0409		Extension Spring .38" O.D. x 7.50" Lg. †		60	712-0107		Hex Cent. L.-Nut 1/4-20 Thd.	
23	716-0104		Snap "E"-Ring .50" Dia. Shaft †		61	710-0136		Hex Bolt 1/4-20 x 1.75" Lg.	
24	756-0367		"V"-Pulley 5/8" x 6.50" O.D. †		62	764-0162		Vacuum Bag - Felt	
25	748-0142		Flange Bearing .502" I.D. †		63	1539-019		Push Speed Nut .25" Dia. Stud	
26	14570		Gear Box Mounting Bracket †		64	749-0481		Lower Handle	
27	732-0376		Extension Spring .75" O.D. x 3.28" Lg. †		65	712-0287		Hex Nut 1/4-20 Thd.*	
28	14565		Clutch Bracket Ass'y. †		66	736-0329		L.-Wash. 1/4" I.D.*	
29	714-0229		#2 Woodruff Key 3/32" Dia. x .81" Lg. †		67	711-0737		Stud Pin .250" Dia. x 1.75"	
30	748-0227		Hex Flange Bearing Bronze .625" I.D. †		68	710-0136		Hex Bolt 1/4-20 x 1.75" Lg.*	
31	738-0516		Pinion Shaft .50" Dia. x 5.0" †		69	714-0145		Internal Cotter Pin 3/8" Dia.	
32	717-0493		Gear Box Ass'y. Comp. †		70	749-0480		Upper Handle	
33	14571-488		Caster Arm Ass'y.		71	738-0185		Rear Axle .624" Dia. x 24.37"	
34	08348		Drive Shaft .624" Dia. x 22.75" Lg. †		72	715-0249		Spring Roll Pin 5/32" Dia. x 1.12"	
35	748-0136		Bevel Gear .50" I.D. x 14 Teeth		73	750-0142		Spacer .82" I.D. x 1.00" O.D. x .305 Lg. †	
36	748-0108		Flange Bearing .503" I.D. †		74	736-0175		L.-Wash. .265" I.D. †	
37	08189		Gear Box †		75	710-0352		Hex Self Tap Scr. 1/4" x 3/8" Lg. †	
38	748-0110		Flange Bearing .630" I.D. †		76	14556		R.H. Pinion Guard †	
						14555		L.H. Pinion Guard (Not Shown)	
					77	712-0298		Hex Jam Nut 1/4-20 Thd. †	
					78	736-0242		Belleville Washer	
					79	14552		Height Adj. Handle	ORDER REF #33

†Parts for Self-Propelled Units (Models 685,689, and 24687) only.

↓ PART OF CASTER ARM

Models 675, 685 and 689



Models 675, 685 and 689

PARTS LIST FOR MODELS 675, 685, 689, 24677 and 24687 POWER VACUUMS

Ref. No.	Part No.	Color Code	Description	New Part
1	14532 --- 488		Air Duct Assembly	
2	736-0242		Belleville Wash. 3/4" I.D. x .87" O.D.	
3	720-0170		3-Arm Thumb Scr. 5/16-18 x .75" Lg.	
4	749-0501		Tow Bar Half	
5	731-0608		Impeller Guard	
8	14479		Directional Discharge Ass'y.	
9	14562		Nozzle Ass'y.	
10	14563		Nozzle Plate Ass'y.	
11	712-0267		Hex Nut 5/16-18 Thd.*	
12	736-0119		L.-Wash. 5/16" I.D.	
13	710-0191		Hex Bolt 3/8-24 x 1.25" Lg.*	
14	736-0217		L.-Wash. 3/8" I.D. H.D.	
15	14536 --- 488		Air Vane Plate Ass'y. (675 and 24677)	
	14557 --- 488		Air Vane Plate Ass'y. w/pulley (685, 689 and 24687)	
16	14496 --- 488		Blower Housing Complete	
17	14541		Right Angle Bracket	
18	710-0600		Hex Wash. Hd. Self Tap Scr. 5/16-18 x .50" Lg.	
20	711-0758		Hex Shoulder Nut .50 I.D.	
21	710-0260		Carriage Bolt 5/16-18 x .62" Lg.*	
22	710-0627		Hex Locking Bolt 5/16-24 x .75" Lg.	
23	14539		Housing - Engine Brace Ass'y.	
24	728-0143		Pop Rivet (5-Required)	
25	14569		Wiper Retaining Strip	
26	735-0214		Nozzle Wiper	
28	710-0602		Hex Bolt 5/16-18 x 1.00" Lg.* †	
29	710-0255		Truss Mach. Scr. 1/4-20 x .75" Lg.* †	
30	712-0287		Hex Nut 1/4-20 Thd.* †	
31	736-0329		L.-Wash. 1/4" I.D.* †	
32	748-0234		Shoulder Spacer †	
34	738-0143		Shld. Bolt .496 Dia. †	
35	736-0219		Belleville Wash. .39 I.D. x 1.12 O.D. †	
36	712-0181		Hex Jam L-Nut 3/8-16 Thd. †	

†Optional Parts

*For faster service obtain standard nuts, bolts and washers locally. If these items cannot be obtained locally, order by part number and size as shown on parts list.

(488 - Mack Truck Yellow)

(615 - Red)

When ordering parts, if color or finish is important use the appropriate color code shown above. (e.g. Mack Truck Yellow Finish - 14542 (488).

NOTE: The engine is not under warranty by the vacuum manufacturer... If repairs or service is needed on the engine, please contact your nearest authorized engine service outlet. Check the "Yellow Pages" of your telephone book under "Engines—Gasoline."



NOTE

This instruction manual covers various models and all specifications shown do not necessarily apply to your model. Specifications subject to change without notice or obligation.

MTD PRODUCTS INC YARD-MAN COMPANY

P.O. BOX 36900 • CLEVELAND OHIO 44136

Free Manuals Download Website

<http://myh66.com>

<http://usermanuals.us>

<http://www.somanuals.com>

<http://www.4manuals.cc>

<http://www.manual-lib.com>

<http://www.404manual.com>

<http://www.luxmanual.com>

<http://aubethermostatmanual.com>

Golf course search by state

<http://golfingnear.com>

Email search by domain

<http://emailbydomain.com>

Auto manuals search

<http://auto.somanuals.com>

TV manuals search

<http://tv.somanuals.com>