

OWNER'S GUIDE

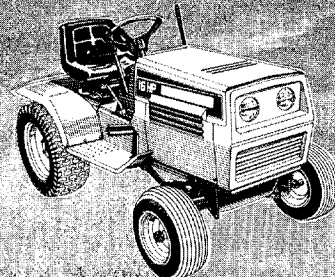
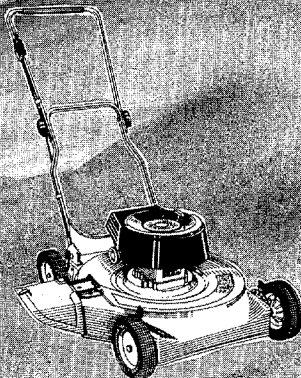
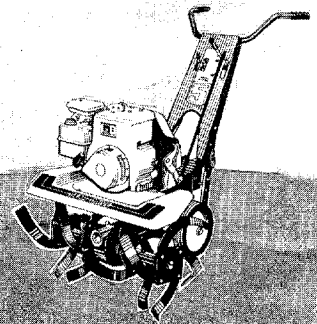
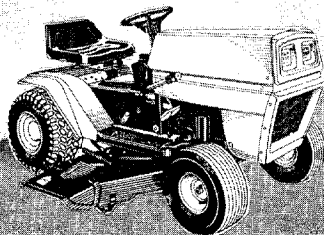
FIFTY CENTS

**MODEL
NOS.
249-670A
249-680A**

**ASSEMBLY
OPERATION
PARTS
MAINTENANCE**

POWER VACUUMS

**IMPORTANT:
READ SAFETY RULES
& INSTRUCTIONS**



PRINTED IN U.S.A.

FORM No. 770-8250

LIMITED WARRANTY

For one year from the date of original retail purchase, MTD PRODUCTS INC will either repair or replace, at its option, free of charge, F.O.B. factory or authorized service firm, any part or parts found to be defective in material or workmanship. Transportation charges under this warranty must be paid by the purchaser unless return is requested by MTD PRODUCTS INC.

This warranty will not apply to any part which has become inoperative due to misuse, excessive use, accident, neglect, improper maintenance, alterations, or unless the unit has been operated and maintained in accordance with the instructions furnished. This warranty does not apply to the engine, motor, battery, battery charger or component parts thereof. Please refer to the applicable manufacturer's warranty on these items.

This warranty will not apply where the unit has been used commercially.

Warranty service is available through your local authorized service dealer or distributor. If you do not know the dealer or distributor in your area, please write to the Customer Service Department of MTD.

The return of a complete unit will not be accepted by the factory unless prior written permission has been extended by MTD.

This warranty gives you specific legal rights. You may also have other rights which vary from state to state.

WARNING TO PURCHASERS OF INTERNAL COMBUSTION ENGINE EQUIPPED MACHINERY OR DEVICES IN THE STATE OF CALIFORNIA

The equipment which you have just purchased does not have a spark arrester. If this equipment is used on any forest covered land, brush covered land, or grass covered unimproved land in the State of California, before using on such land, the California law requires that a spark arrester be provided. In addition, spark arrester is required by law to be in effective working order. The spark arrester must be attached to the exhaust system and comply with Section 4442 of the California Public Resources Code.

IMPORTANT

It is suggested that this manual be read in its entirety before attempting to assemble or operate. Keep this manual in a safe place for future reference and for ordering replacement parts.

This unit is shipped **WITHOUT GASOLINE** or **OIL**. After assembly, see operating section of this manual for proper fuel and amount.

SAFE OPERATION PRACTICES FOR POWER VACUUMS

1. Read the operating and service instructing manual carefully. Be thoroughly familiar with the controls and proper use of the power vacuum.
2. Never allow children to operate this power vacuum.
3. Keep the area of operation clear of all persons, particularly small children and pets.
4. Check fuel before starting engine. Do not fill fuel tank indoors, when engine is running, or while engine is hot. Wipe off any spilled fuel before starting engine.
5. Do not change engine governor settings.
6. Do not put hands near rotating parts for any reason.
7. If the power vacuum should start to vibrate abnormally, stop the engine and check immediately for the cause. Vibration is generally a warning of trouble.
8. Before cleaning, repairing or inspecting make certain all moving parts have come to a complete stop. Disconnect spark plug wire and keep wire away from plug to prevent accidental starting. Also keep throttle control lever in the stop position.
9. If the power vacuum should become blocked with debris at any point shut engine off and wait until the impeller comes to a complete stop before attempting to remove the obstruction. Disconnect spark plug wire to prevent accidental starting.
10. Check all bolts for tightness at frequent periods.
11. Never store this power vacuum with fuel in the tank. Allow engine to cool before starting in any enclosure.
12. Keep bag and equipment free of debris when not in use.
13. Never operate this power vacuum unless air duct and vacuum bag are properly affixed in their place. Large zippered end of bag must be closed when operating to prevent objects from being blown out.
14. Never empty vacuum bag when engine is running.
15. Never change inlet nozzle or auxiliary hose attachment when engine is running.
16. The manufacturer recommends that the operator wear safety glasses or some other suitable eye protection when operating this machine.
17. Check the vacuum bag frequently for wear and replace when necessary.

ASSEMBLY INSTRUCTIONS

(Refer to figures 1, 2 and 3)

1. Place the upper handle in position and fasten with four (4) hex screws and hex centerlock nuts provided.
2. Place the air duct liner (studded end first) into the elbow of air duct. See figure 1.

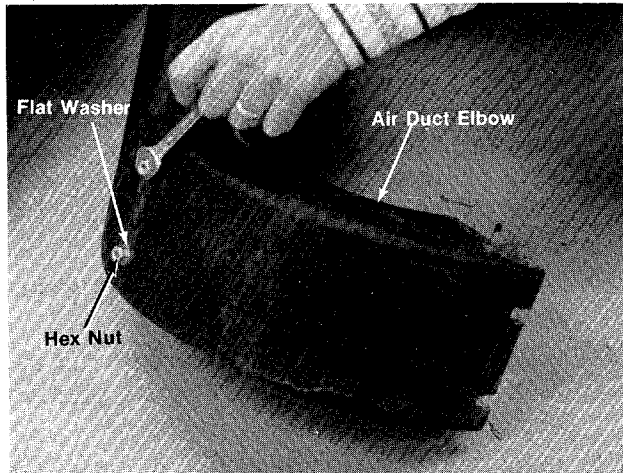


FIGURE 1.

3. Insert studs of air duct liner through holes in air duct. Thread on two (2) flat washers and hex nuts (provided) several turns—do not tighten. See figure 2.

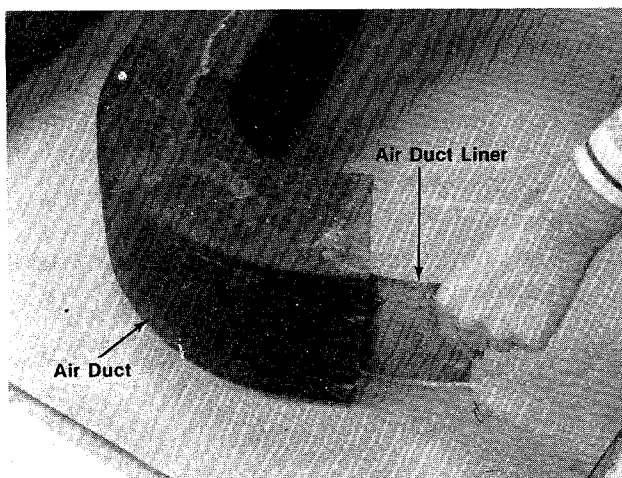


FIGURE 2.

4. Place the air duct in position on the blower housing and fasten with four (4) flat washers and hex nuts provided. See figure 3.

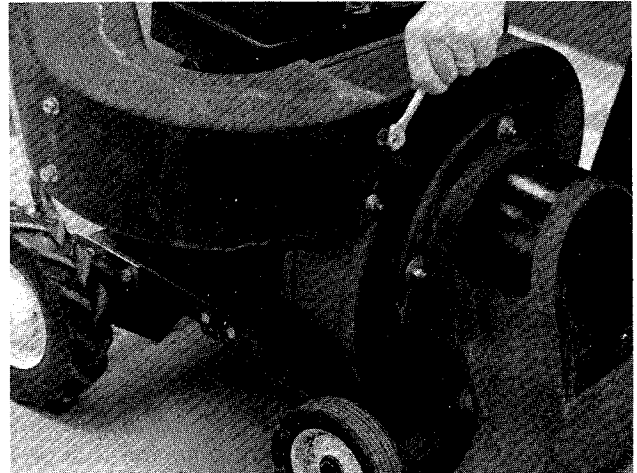


FIGURE 3.

5. Secure the two (2) hex nuts onto the air duct liner studs at the air duct elbow.
6. Slide the vacuum bag over the back of the upper handle and snap the four flaps to hold the bag.
7. Fasten the deflector on the top of the air duct with three hex screws, flat washers and hex nuts. (See figure 1.)
8. Slide the bag over the air duct.
9. Fasten the nozzle to the front of the vacuum with four flat washers and thumb nuts provided.
10. Use the following steps on the self propelled unit only.
11. Fasten the throttle control to the right hand side of the upper handle with one hex screw and hex center locknut provided.
12. Secure throttle control cable to the lower handle with the cable clip provided.

NOTE

Cable clip must be assembled to lower handle with the open end towards the engine. This will prevent wear to the bag.

13. Place ferrule through control lever.
14. Place flat washer over ferrule and thread control rod into ferrule about eight or nine turns.
15. Hook formed end of control rod in the shifting finger.
16. Place curved face of spacer towards the outside of upper handle left hand side.

17. Fasten control lever in position with hex screw and two hex nuts provided.
18. Engage and disengage control lever, check for free pivoting action. It may be necessary to readjust the control rod.

OPERATION

1. Service engine with gas and oil. See engine manual packed with vacuum for complete instructions for care and maintenance of engine. **READ DIRECTIONS CAREFULLY.**

START ENGINE

After the engine has been properly fueled and oiled (refer to engine operating and maintenance instructions), start engine in the following manner.

PUSH MODEL

1. Move throttle control lever on engine to START position.
2. Crank engine. Pull recoil with a quick firm pull. Do not pull out so far that rope stops with a jerk as this will cause rope failure. Do not allow rope and handle to snap back into place.

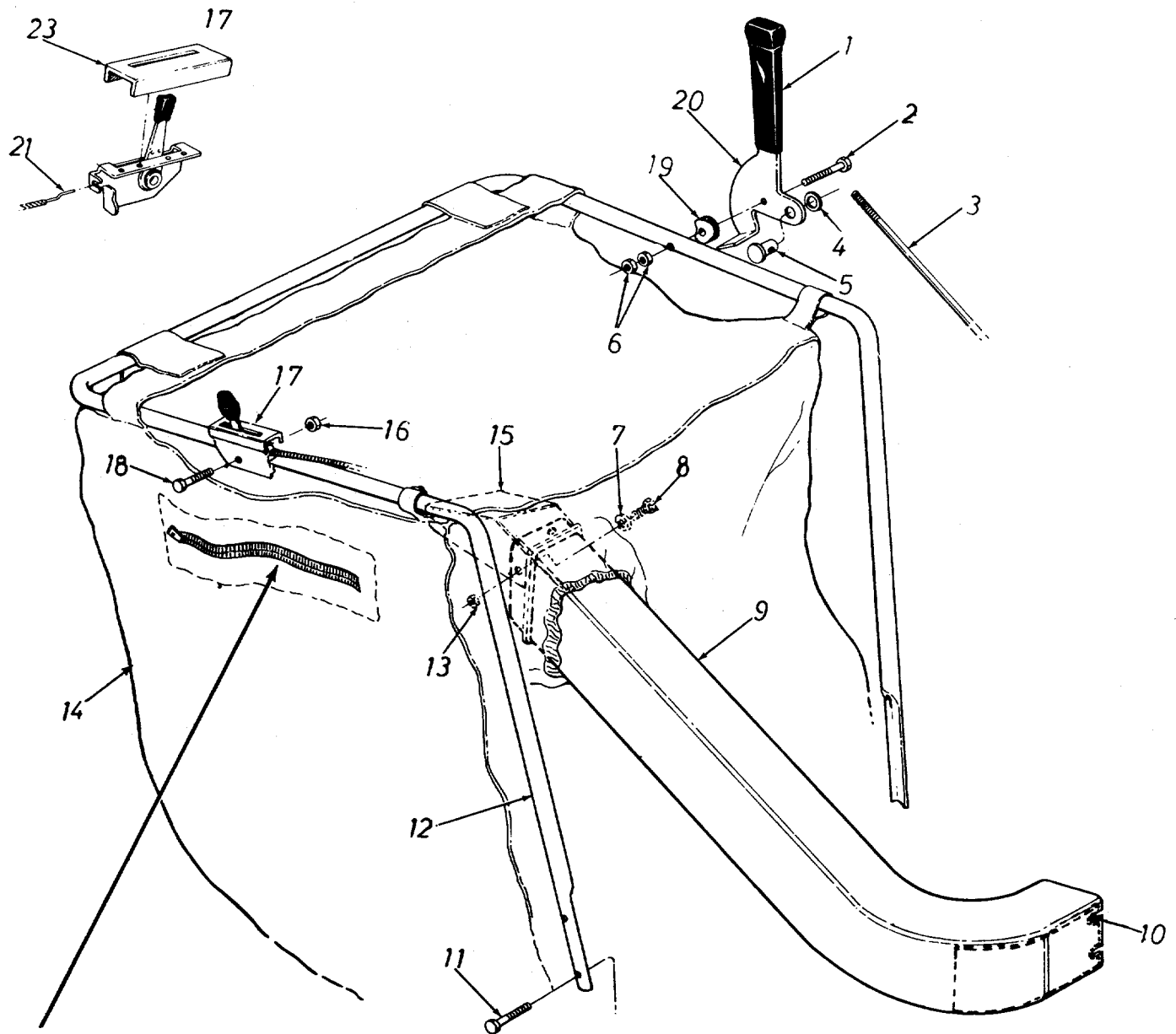
3. After two or three full firm pulls on recoil (or as soon as engine fires), move speed control to run position.
4. Operate a new engine at intermediate speeds and light load for the first few hours as you would a new automotive engine.
5. To stop engine, move speed control lever on engine to STOP position.
6. If carburetor needs adjustment to start or for operation, see "Carburetor Readjustment" section.

SELF PROPELLED MODEL

1. Place drive engagement lever in the neutral position (towards the operator).
2. Move throttle control lever on handle to START position.
3. Crank engine. Pull recoil with a quick firm pull. Do not pull out so far that rope stops with a jerk as this will cause rope failure. Do not allow rope and handle to snap back into place.

249-670A
249-680A

IF YOU WRITE TO US ABOUT THIS ARTICLE
OR IF YOU ORDER REPLACEMENT PARTS AL-
WAYS MENTION THIS MODEL & SERIAL NO
MODEL



NOTE: The Vacuum Bag has an air escape located on the upper right hand side. This should be open when the bag becomes half full.

EXPLODED VIEW OF UPPER HANDLE

PARTS LIST FOR MODELS 249-670A AND 249-680A

REF. NO.	PART NO.	COLOR CODE	DESCRIPTION	NEW PART
1	720-0142		Grip (680A)	
2	710-0606		Hex Scr. 1/4-20 x 1.50" Lg.* (680A)	
3	711-0596		Control Rod (680A)	
4	736-0108		Fl. Wash. .510" I.D. x .75" O.D. (680A)	
5	711-0179		Adj. Ferrule (680A)	
6	712-0107		Hex Center L-Nut 1/4-20 Thd. (680A)	
7	736-0173		Flat Wash. .28" I.D. x .75" O.D. x .063	
8	710-0289		Hex Scr. 1/4-20 x .50" Lg.*	
9	731-0404		Air Duct	
10	13316		Air Duct Liner	
11	710-0106		Hex Scr. 1/4-20 x 1.25" Lg.*	
12	12234		Upper Handle	
13	712-0107		Hex Center L-Nut 1/4-20 Thd.	
14	764-0127		Vacuum Bag	
15	12104		Deflector	
16	712-0107		Hex Center L-Nut 1/4-20 Thd. (680A)	
17	746-0202		Throttle Control Ass'y.— Comp. (680A)	
18	710-0606		Hex Scr. 1/4-20 x 1.50" Lg.* (680A)	
19	748-0210		Spacer (680A)	
20	12226		Control Lever (680A)	
21	746-0229		Conduit and Wire	
23	731-0344		Plastic Label	

*For faster service obtain standard nuts, bolts and washers locally. If these items cannot be obtained locally, order by part number and size as shown on parts list.

(436—Radiant Yellow)

When ordering parts, if color or finish is important use the appropriate color code shown above (e.g. Radiant Yellow Finish—12236 (436).)

NOTE: The engine is not under warranty by the vacuum manufacturer... If repairs or service is needed on the engine, please contact your nearest authorized engine service outlet. Check the "Yellow Pages" of your telephone book under "Engines—Gasoline."



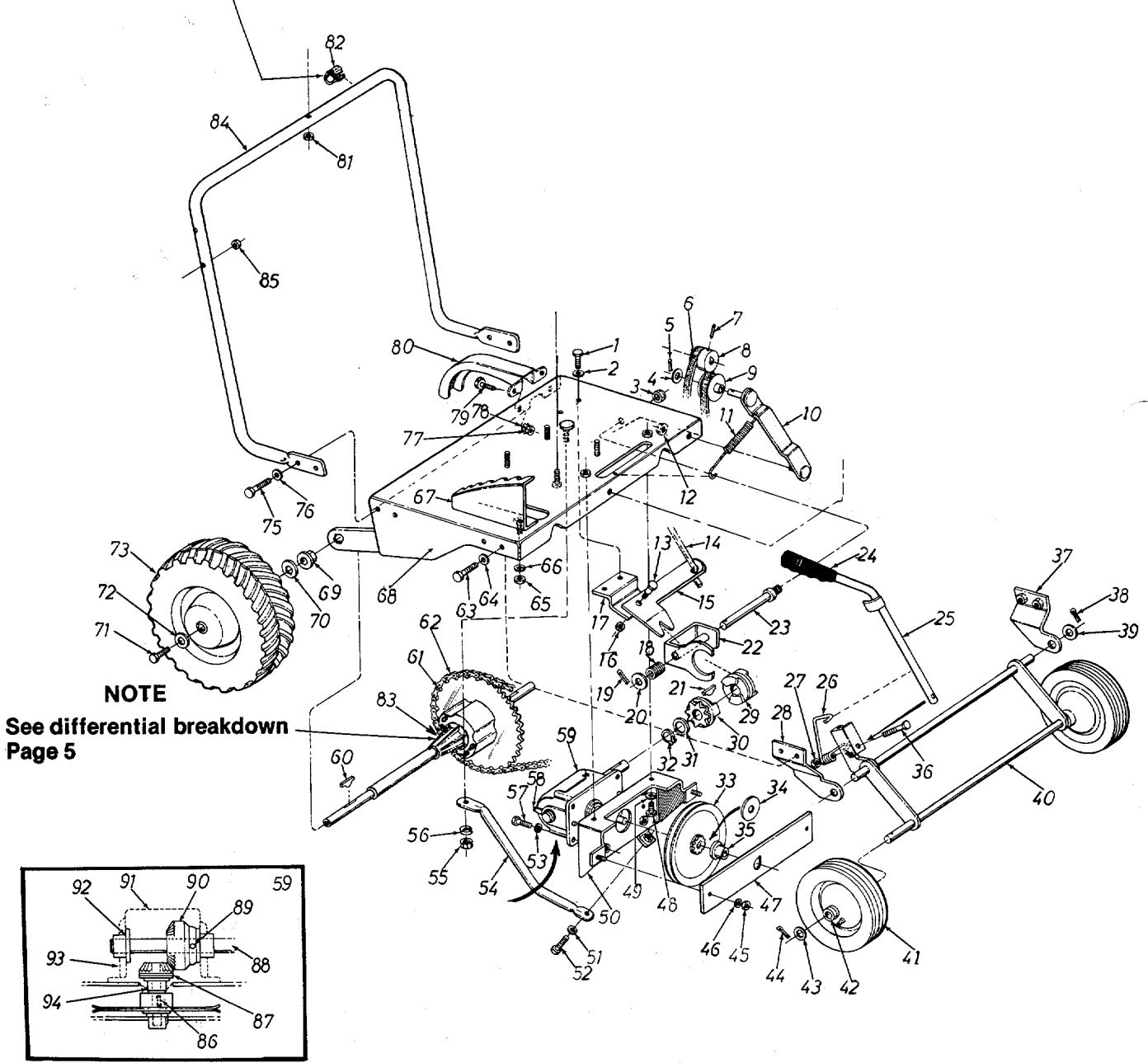
NOTE

This instruction manual covers various models and all specifications shown do not necessarily apply to your model. Specifications subject to change without notice or obligation.

249-670A 249-680A



NOTE
Cable clip must be assembled to lower handle as shown, with open end towards the engine. This will prevent wear to the bag.

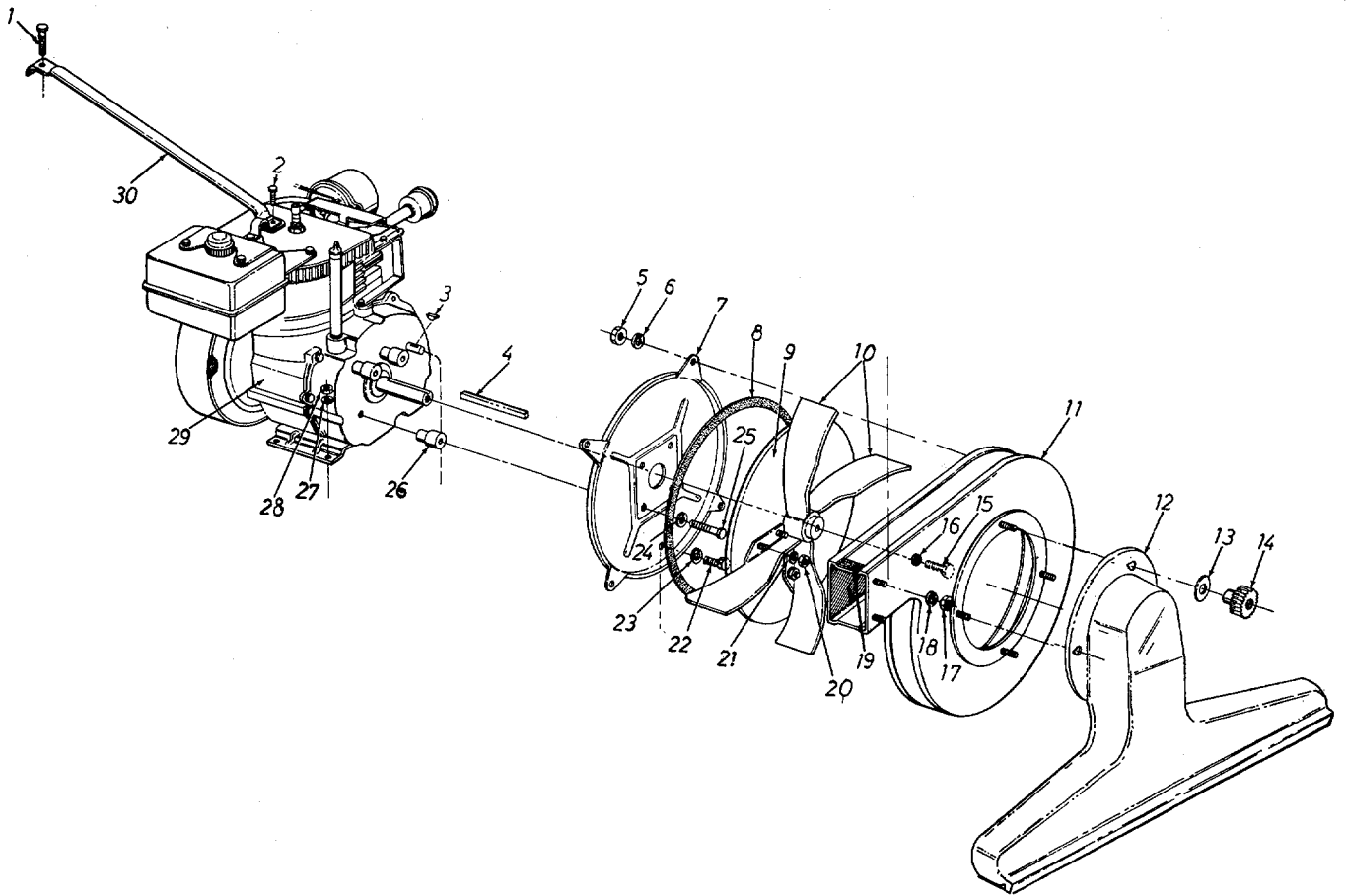


EXPLODED VIEW OF FRAME

PARTS LIST FOR MODELS 249-670A AND 249-680A

REF. NO.	PART NO.	COLOR CODE	DESCRIPTION	NEW PART	REF. NO.	PART NO.	COLOR CODE	DESCRIPTION	NEW PART
1	710-0258		Hex Scr. 1/4-20 x .62" Lg. * (680A)		49	736-0119		L-Wash. 5/16" Scr. * (680A)	
2	736-0329		Spring L-Wash. 1/4" Scr. * (680A)		50	12211 —463		Gear Box Mtg. Brkt. Ass'y. (680A)	
3	712-0116		Hex Ins. L-Nut 3/8-24 Thd. (680A)		51	736-0119		L-Wash. 5/16" Scr. * (680A)	
4	736-0117		Fl.-Wash. (680A)		52	710-0118		Hex Scr. 5/16-18 x .75" Lg. * (680A)	
5	714-0127		Cotter Pin 1/16" Dia. x .75" (680A)		53	736-0329		L-Wash. 1/4" Scr. * (680A)	
6	754-0176		"V"-Belt 1/4" x 22.76" Lg. (680A)		54	12222 —463		Gear Box Brace (680A)	
7	710-0938		Set Scr 1/4-28 x .25" Lg. (680A)		55	712-0267		Hex Nut 5/16-18 Thd. * (680A)	
8	711-0614		P.T.O. Sheave (680A)		56	736-0119		L-Wash. 5/16" Scr. (680A)	
9	756-0194		Idler Pulley (680A)		57	710-0258		Hex Scr. 1/4-20 x .62" Lg. * (680A)	
10	12206		Idler Brkt. Ass'y. (680A)		58	710-0148		Hex Wash. Hd. F-Tapp Scr. #8 -32 x .38" Lg. (680A)	
11	732-0157		Spring .38" O.D. (680A)		59	717-0325		Gear Box Ass'y.—Comp. (680A)	
12	712-0429		Hex Ins. L-Nut 5/16-18 Thd. (680A)		60	714-0126		#9 Hi-Pro-Key 3/16" x 3/4" Dia. (680A)	
13	738-0140		Shoulder Bolt .437" Dia. x .180 (680A)		61	713-0118		Chain #41 x 61 Links (680A)	
14	711-0596		Control Rod (680A)		62	713-0723		#41 Master Link 1/2" Pitch Type II (680A)	
15	12231		Shifting Finger (680A)		63	710-0118		Hex Scr. 5/16-18 x .75" Lg. * (680A)	
16	712-0429		Hex Ins. L-Nut 5/16-18 Thd. (680A)		64	736-0119		L-Wash. 5/16" Scr. * (680A)	
17	12213 —463		Pivot Brkt. Ass'y. (680A)		65	712-0267		Hex Nut 5/16-18 Thd. * (680A)	
18	732-0237		Compression Spring (680A)		66	736-0119		L-Wash. 5/16" Scr. * (680A)	
19	714-0474		Cotter Pin 1/8" Dia. x .75" Lg. * (680A)		67	12224		Index Plate Ass'y. (680A)	
20	736-0300		Fl.-Wash. (680A)		68	12200 —463		Engine Mtg. Frame Ass'y. (680A)	
21	714-0137		Hi-Pro-Key 3/16" x 3/4" Dia. x 1.062" Lg. (680A)		69	748-0227		Hex Flange Bearing .630" I.D. (680A)	
22	12216		Shifting Yoke Ass'y. (680A)		70	736-0116		Fl.-Wash. (680A)	
23	711-0594		Shifting Fork Rod (680A)		71	710-0258		Hex Scr. 1/4-20 x .62" Lg. * (680A)	
24	720-0132		Grip		72	736-0211		Fl.-Wash. (680A)	
25	12208		Index Handle Ass'y. (680A)		73	734-0576		Rear Wheel Ass'y.—Comp. (680A)	
26	732-0231		Torsion Spring		75	710-0118		Hex Scr. 5/16-18 x .75" Lg. * (680A)	
27	712-0107		Hex Center L-Nut 1/4-20 Thd. (680A)		76	736-0119		L-Wash. 5/16" Scr. * (680A)	
28	12240 —463		Pivot Brkt. Ass'y.—R.H. (680A)		77	712-0287		Hex Nut 1/4-20 Thd. * (680A)	
29	748-0161		Clutch Collar (680A)		78	736-0329		L-Wash. 1/4" Scr. * (680A)	
30	748-0164		Sprocket 10 Teeth (680A)		79	710-0258		Hex Scr. 1/4-20 x .62" Lg. * (680A)	
31	736-0116		Fl.-Wash. (680A)		80	12232		Chain Guard (680A)	
32	716-0115		Snap Ring for .625" Dia. (680A)		81	712-0107		Hex Center L-Nut 1/4-20 Thd. (680A)	
33	756-0195		Drive Pulley (680A)		82	726-0178		Cable Tie (680A)	
34	736-0160		Fl.-Wash. (680A)		83	738-0185		Rear Axle (670A)	
35	748-0742		Flange Bearing (680A)			717-0353		Differential Ass'y.—Comp. (680A)	
36	710-0136		Hex Scr. 1/4-20 x 1.75" Lg. * (680A)		84	12233		Lower Handle	
37	12241 —463		Pivot Brkt. Ass'y.—L.H. (680A)		85	712-0107		Hex Center L-Nut 1/4-20 Thd. (680A)	
38	714-0115		Cotter Pin 1/8" Dia. x 1.00" Lg. * (680A)		86	714-0229		#2 Woodruff Key 3/32 x 1/2" Dia. Hdn. (680A)	
39	736-0116		Fl.-Wash. (680A)		87	748-0136		Pinion Gear .50" I.D. x 14 Teeth (680A)	
40	12217 —463		Front Axle Ass'y. (680A)		88	711-0593		Drive Shaft (680A)	
41	734-0225		Front Wheel Ass'y.—Comp. (680A)		89	715-0246		Spring Pin Spirol 3/16" Dia. x 1.25 (680A)	
42	748-0176		Flange Bearing .630" I.D. (680A)		90	748-0135		Bevel Gear .62" I.D. 28 Teeth (680A)	
43	736-0116		Fl.-Wash. (680A)		91	08187		Gear Box Cover (680A)	
44	714-0115		Cotter Pin 1/8" Dia. x 1.00" Lg. * (680A)		92	748-0110		Flange Bearing .630" I.D. (680A)	
45	712-0107		Hex Center L-Nut 1/4-20 Thd. (680A)		93	08189		Gear Box (680A)	
46	736-0329		L-Wash. 1/4" Scr. * (680A)		94	748-0108		Flange Bearing .503" I.D. (680A)	
47	12227 —463		Bearing Support Brkt. (680A)		95	710-0442		Hex Scr. 5/16-18 x 1.50 Lg. * (680A)	
48	710-0118		Hex Scr. 5/16-18 x .75" Lg. (680A)						

249-670A
249-680A



EXPLODED VIEW OF DRIVE ASSEMBLY

PARTS LIST FOR MODELS 249-670A AND 249-680A

REF. NO.	PART NO.	COLOR CODE	DESCRIPTION	NEW PART
1	710-0106		Hex Scr. 1/4-20 x 1.25" Lg. *	
2	—		Part of Engine	
3	714-0108		Woodruff Key (680A)	
4	714-0114		Sq. Key 1/4" x 2.00" Lg.	
5	712-0267		Hex Nut 5/16-18" Thd. *	
6	736-0119		L-Wash. 5/16" Scr. *	
7	11452 —436		Hopper to Engine Mtg. Plate	
8	721-0128		Gasket Strip—Pressure Sen.	
9	12203 —436		Vane Plate Ass'y.	
10	12230 —436		Air Vane	
11	13320 —436		Blower Housing Ass'y.	
12	731-0211		Nozzle	
13	736-0159		Fl.-Wash. .344" I.D. x .88" O.D. x .063	
14	712-0254		Thumb Nut 5/16-18 Thd.	
15	710-0239		Hex Scr. 3/8-24 x 1.75" Lg. H.T.	
16	736-0217		L-Wash. 3/8" Scr. Heavy Duty	
17	712-0107		Hex Center L-Nut 1/4-20 Thd.	
18	736-0211		Fl.-Wash. .285" I.D. x 1.25" O.D. x .060	
19	721-0129		Dust Pad—Pressure Sensitive	
20	712-0241		Hex Nut 3/8-24" Thd. *	
21	736-0217		L-Wash. 3/8" Scr. Heavy Duty	
22	710-0118		Hex Scr. 5/16-18 x .75" Lg. *	
23	736-0119		L-Wash. 5/16" Scr. *	
24	736-0119		L-Wash. 5/16" Scr. *	
25	710-0409		Hex Scr. 5/16-24 x 1.75" Lg. *	
26	711-0591		Engine Spacer	
27	736-0119		L-Wash. 5/16" Scr. *	
28	712-0267		Hex Nut 5/16-18 Thd. *	
29	—		Engine	
30	749-0326		Engine Brace (249-670)	N
	12228		Engine Brace (249-680)	

*For faster service obtain standard nuts, bolts, and washers locally. If these items cannot be obtained locally, order by part number and size as shown on parts list.

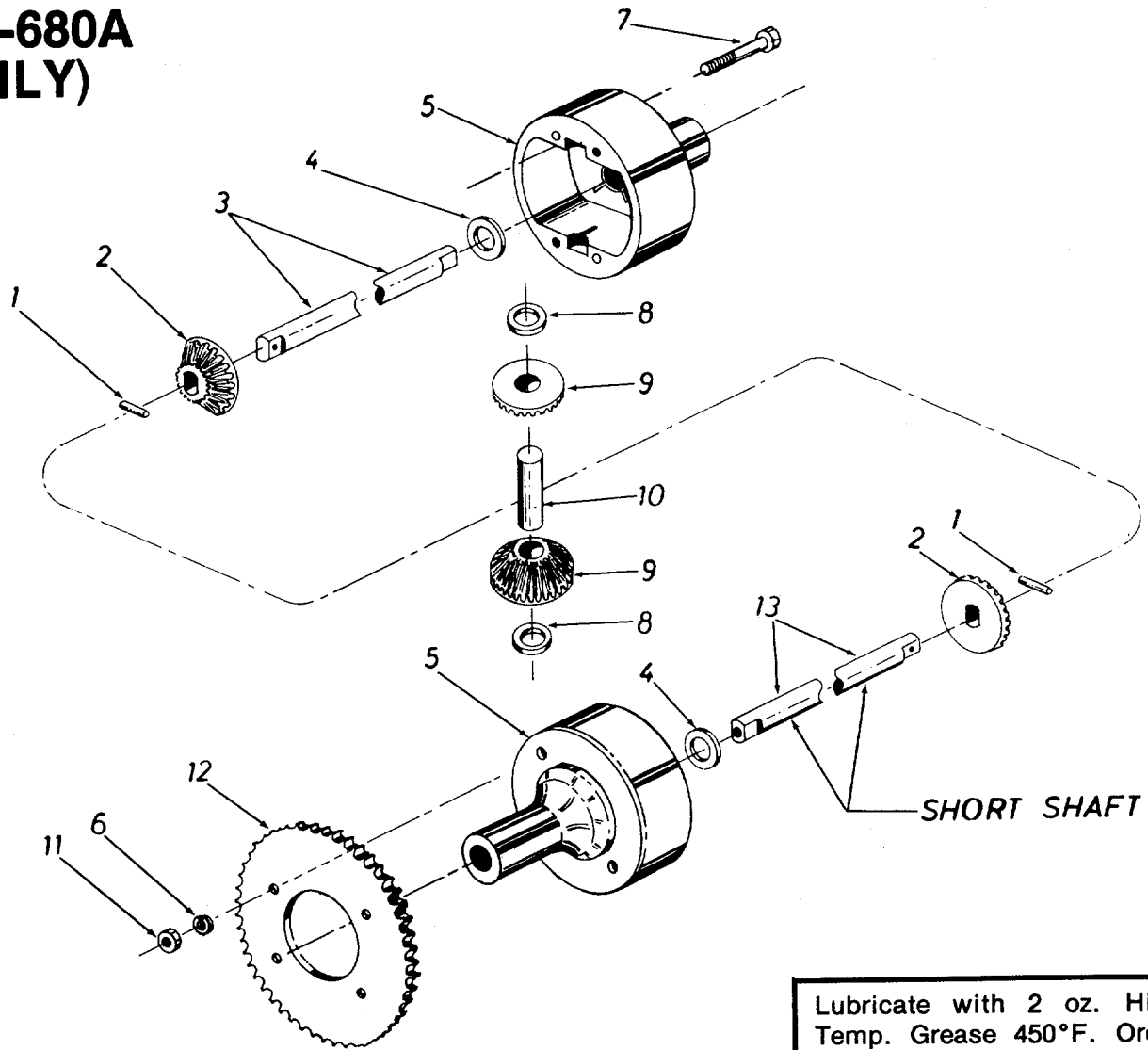
(436—Radiant Yellow)

When ordering parts, if color or finish is important use the appropriate color code shown above (e.g. Radiant Yellow Finish—12236 (436).)

NOTE: The engine is not under warranty by the vacuum manufacturer...If repairs or service is needed on the engine, please contact your nearest authorized engine service outlet. Check the "Yellow Pages" of your telephone book under "Engines—Gasoline."



249-680A (ONLY)



Lubricate with 2 oz. High Temp. Grease 450°F. Order Part No. 737-0120.

**FIGURE 4.
MODEL 717-0353 DIFFERENTIAL ASSEMBLY**

PARTS LIST FOR FIGURE 4 MODEL 249-680A

REF. NO.	PART NO.	Qty. Req'd.	DESCRIPTION	NEW PART
1	715-0247	2	Spring Pin Spir. 3/16" Dia. x 1.00" Lg.	
2	748-0185	2	Gear—Double "D" Hole	
3	738-0218	1	Shaft—Long 15.38" Lg.	
4	736-0188	2	FI-Wash. .760 I.D. x 1.49 O.D.	
5	717-0341	2	Housing Half	
6	736-0119	2	L-Wash. 5/16" Scr.*	
7	710-0526	2	Hex Scr. 5/16-24 x 4.00" Lg.*	
8	736-0187	2	FI-Wash. .640 I.D. x 1.24 O.D.	
9	748-0158	2	Gear—Round Hole	
10	711-0276	1	Drive Pin	
11	712-0237	2	Hex Cent. L-Nut 5/16-24 Thd.	
12	09054	1	Sprocket—40 Tooth	
13	738-0217	1	Shaft—Short 8.31" Lg.	

*For faster service obtain standard nuts, bolts and washers locally. If these items cannot be obtained locally, order by part number and size as shown on parts list.

PARTS INFORMATION

POWER EQUIPMENT PARTS AND SERVICE

Parts and service for all MTD manufactured power equipment are available through the authorized service firms listed below. All orders should specify the model number of your unit, parts number, description of parts and the quantity of each part required.

ALABAMA	BIRMINGHAM	
Auto Electric & Carburetor Co.	2625 4th Ave. S.	35233
ARKANSAS	NORTH LITTLE ROCK	
Sutton's Lawn Mower Shop	Rt. 4 Box 368	72117
	FORT SMITH	
Mity Mile Motors, Inc.	2515 Towson Ave.	72901
CALIFORNIA	PORTERVILLE	
Billious	75 North D Street	93257
	SAN BERNARDINO	
Lawn Mower Supply Co.	25608 E. Baseline	92410
	SAN FRANCISCO	
J.W. Jewett Co.	981 Folsom St.	94107
	SACRAMENTO	
Luttig & Severson	2030 28th St.	95818
COLORADO	DENVER	
South Denver Lawn Equip.	527 West Evans	80223
FLORIDA	JACKSONVILLE	
Radco Distributors	2403 Market St.	32206
	CORAL GABLES	
Moz-All of Florida, Inc.	365 Greco Ave.	33146
GEORGIA	EAST POINT	
East Point Cycle & Key	2834 Church St.	30344
ILLINOIS	LYONS	
Keen Edge Co.	8615 Ogden Ave.	60534
INDIANA	ELKHART	
Parts & Sales Inc.	2101 Industrial Pkwy.	46514
IOWA	DUBUQUE	
Power Lawn & Garden Equip.	2551 J.F. Kennedy	52001
LOUISIANA	NEW ORLEANS	
Suhren Engine Co.	8330 Earhart Blvd.	70118
MARYLAND	TAKOMA PARK	
Center Supply Co.	6867 New Hampshire Ave.	20012
MASSACHUSETTS	SPRINGFIELD	
Morton B. Collins Co.	300 Birnie Ave.	01107
MICHIGAN	MOUNT CLEMENS	
Power Equipment Dist.	36463 South Gratiot	48043
	LANSING	
Lorenz Service Co.	2500 S. Pennsylvania	48900
MINNESOTA	MINNETONKA	
Hance Distributing Inc.	11212 Wayzata Blvd.	55343
	ST. PAUL	
Power Tools Inc.	3771 Sibley Memorial Hwy.	55122
MISSISSIPPI	BILOXI	
Biloxi Sales & Service, Inc.	506 Caillavet St.	39533
MISSOURI	KANSAS CITY	
Automotive Equip. Service	3117 Holmes St.	64109
	ST. JOSEPH	
Ross-Frazier Supply Co.	8th and Monteray	64503
	ST. LOUIS	
Henzler, Inc.	2015 Lemay Ferry Rd.	63125
NEW JERSEY	BELLMAWR	
Lawnmower Parts Inc.	717 Creek Rd., P.O. Box 7.08030	
	RUTHERFORD	
Feld Distributor	28 Glen Rd.	07070
NEW YORK	CARTHAGE	
Gamble Dist., Inc.	West End Ave.	13619

BRIGGS AND STRATTON, TECUMSEH AND PEERLESS PARTS AND SERVICE

Briggs & Stratton, Tecumseh and Peerless parts and service should be handled by your nearest authorized engine service firm. Check the yellow pages of your telephone directory under the listing: **Engines—Gasoline**, Briggs & Stratton or Tecumseh Lauson.

	SYRACUSE	
GTP Leisure Products Inc.	420 Marcellus St.	13204
NORTH CAROLINA	GREENSBORO	
Dixie Sales Company	327 Battleground Ave.	27402
	GOLDSBORO	
Smith Hardware Co.	515 N. George St.	27530
OHIO	WADSWORTH	
National Central	687 Seville Rd.	44281
	CLEVELAND	
Bleckrie, Inc.	7900 Lorain Ave.	44102
	CARROLL	
Stebe's Mid-State Mower Supply	Box 366-71 High St.	43112
	YOUNGSTOWN	
Burton Supply Co.	1301 Logan Ave. Box 929	44501
OKLAHOMA	MUSKOGEE	
Victory Motors, Inc.	605 S. Cherokee.	74401
	OKLAHOMA CITY	
Forest Sales Inc.	1039 NW 63rd St.	73116
	ADA	
Ada Auto Supply	301 E. 12th St.	74820
OREGON	PORTLAND	
Kenton Supply Co.	8216 N. Denver Ave.	97217
PENNSYLVANIA	CHESTER	
Stull Equipment Corp.	742 W. Front St.	19013
	HARRISBURG	
EECO Inc.	4021 N. 6th St.	17110
	PHILADELPHIA	
Thompson Rubber Co.	5222-24 N Fifth St.	19120
	PITTSBURGH	
Bluemont Co.	11125 Frankstown Rd.	15235
TENNESSEE	KNOXVILLE	
Master Repair Service	2423 Broadway, N.E.	37917
	MEMPHIS	
Memphis Cycle & Supply Co.	421 Monroe Ave.	38116
American Sales & Service, Inc.	1922 Lynnbrook	38116
TEXAS	DALLAS	
Marr Brothers, Inc.	423 E. Jefferson.	75203
	HOUSTON	
Bullard Supply Co.	2409 Commerce St.	77003
	SAN ANTONIO	
Catto & Putty, Inc.	P.O. Box 2408	78206
	FORT WORTH	
Woodson Sales Corp.	1702 N. Sylvania	76111
UTAH	SALT LAKE CITY	
A-1 Engine & Mower Co.	437 E. 9th St.	84111
VERMONT	BURLINGTON	
Vermont Hdwe. Co. Inc.	180 Flynn Ave.	05401
VIRGINIA	RICHMOND	
RBI Corp.	963 Myers St.	23260
WASHINGTON	SEATTLE	
Bailey's Inc.	1414 14th Ave.	98122
WEST VIRGINIA	CHARLESTON	
Young's, Inc.	233 Virginia St., E.	25301
WISCONSIN	APPLETON	
Automotive Supply Co.	123 S. Linwood Ave.	54911

WARRANTY PARTS AND SERVICE POLICY

The purpose of warranty is to protect the customer from defects in workmanship and materials, defects which are NOT detected at the time of manufacture. It does not provide for the unlimited and unrestricted replacement of parts. Use and maintenance are the responsibility of the customer. The manufacturer cannot assume responsibility for conditions which it has no control. Simply put, if it's the manufacturer's fault, it's the manufacturer's responsibility; if it's the customer's fault, it's the customer's responsibility.

CLAIMS AGAINST THE MANUFACTURER'S WARRANTY INCLUDES

1. Replacement of Missing Parts on new equipment.
2. Replacement of Defective Parts within the warranty period.
3. Repair of Defects within the warranty period.

All claims MUST be substantiated with the following information:

1. Model Number of unit involved.
2. Date unit was purchased or first put into service.
3. Date of failure.
4. Nature of failure.

MTD PRODUCTS INC • 5389 WEST 130th STREET • P.O. BOX 2741 CLEVELAND OHIO 44111

Download from www.Somanuals.com. All Manuals Search And Download.

Free Manuals Download Website

<http://myh66.com>

<http://usermanuals.us>

<http://www.somanuals.com>

<http://www.4manuals.cc>

<http://www.manual-lib.com>

<http://www.404manual.com>

<http://www.luxmanual.com>

<http://aubethermostatmanual.com>

Golf course search by state

<http://golfingnear.com>

Email search by domain

<http://emailbydomain.com>

Auto manuals search

<http://auto.somanuals.com>

TV manuals search

<http://tv.somanuals.com>