

# INSTALLATION AND OPERATING INSTRUCTIONS for



## GAS-FIRED INFRA-RED GARAGE/WORKSHOP HEATER



ANSI Z83.6b - 1993  
CAN 1-2.16-M81  
CSA Requirements,  
7-89 US Infrared Garage Heater

### MODEL NUMBERS

MH25NG (F272200) - Natural Gas  
MH25LP (F272100) - Propane Gas

### For Your Safety

Do not store or use gasoline or other  
Flammable vapors and liquids in the vicinity  
of this or any other appliance.

**WARNING:** IMPROPER INSTALLATION,  
ADJUSTMENT, SERVICE OR MAINTENANCE  
CAN CAUSE PROPERTY DAMAGE,  
INJURY OR DEATH. READ THE INSTALLATION,  
OPERATING AND MAINTENANCE INSTRUCTIONS  
THOROUGHLY BEFORE INSTALLING OR SERVICING  
THIS EQUIPMENT.

### FOR YOUR SAFETY WHAT TO DO IF YOU SMELL GAS

- Do not try to light any appliance.
- Do not touch any electrical switch; do not use any phone in your building.
- Immediately call your gas supplier from a neighbor's phone. Follow the gas supplier's instructions.
- If you cannot reach your gas supplier, call the fire department.



4560 W. 160th St.  
Cleveland, Ohio 44135  
Phone: 800/251-0001

Keep this manual in a safe  
place for future reference.

Stock No. 18672 2/00

## SAFETY SUMMARY

### WARNING

Improper installation, adjustment, alteration, service or maintenance can cause injury or property damage. Refer to this manual. For assistance or additional information consult a qualified installer, service agency or the gas supplier.

When used without fresh air, heater may give off CARBON MONOXIDE, an odorless poisonous gas. OPEN WINDOW AN INCH OR TWO FOR FRESH AIR WHEN USING HEATER.

This heater is equipped with a PILOT LIGHT SAFETY SYSTEM. DO NOT TAMPER WITH PILOT LIGHT SAFETY SYSTEM.

If heater shuts off, do not relight until you provide fresh air. If heater keeps shutting off, have it serviced. Keep burner and control clean. Open door for 5 minutes.

CARBON MONOXIDE POISONING MAY LEAD TO DEATH. Early signs of carbon monoxide poisoning resemble the flu with headache, dizziness and/or nausea. If you have these signs, heater may not be working properly. Get fresh air at once! Have heater serviced.

Maintain clearances as shown in Figure 2 or on heater nameplate, in garage installations where parked vehicles are directly below the heater.

DO NOT USE MATCH OR OTHER FLAME FOR LEAK TESTING.

DO NOT EXCEED 1/2 PSI INLET PRESSURE TO HEATER.

### CAUTION

Never connect gas valve or thermostat to line voltage or a transformer.

If the infra-red color of the grid becomes dull when the house furnace is operating, consult gas supplier on correct gas supply piping sizes.

MR. HEATER is for indoor installation only!

### NOTE

Gasket binder material used in this heater assembly will temporarily emit an odor and/or vapor. This condition will clear up in approximately 20 minutes and thereafter will not reoccur. Refer to Chapter 2 for ventilation.

## TABLE OF CONTENTS

Chapter	Title	Page
I	Introduction	1
II	MR. HEATER Installation	3
III	MR. HEATER Operating Instructions	10
IV	Operator Maintenance Instructions	14
V	Replacement Parts List	16

# CHAPTER I INTRODUCTION

## 1. EQUIPMENT

MR. HEATER is the consumer version of a highly successful, thoroughly tested, gas fired, infrared, industrial utility heater.

MR. HEATER does not require an external electrical source for operation.

The major components of the heater and a typical installation are identified in Figure 1. The basic heater consists of the complete burner assembly, flue deflector, grid, reflector assembly, and face guard.

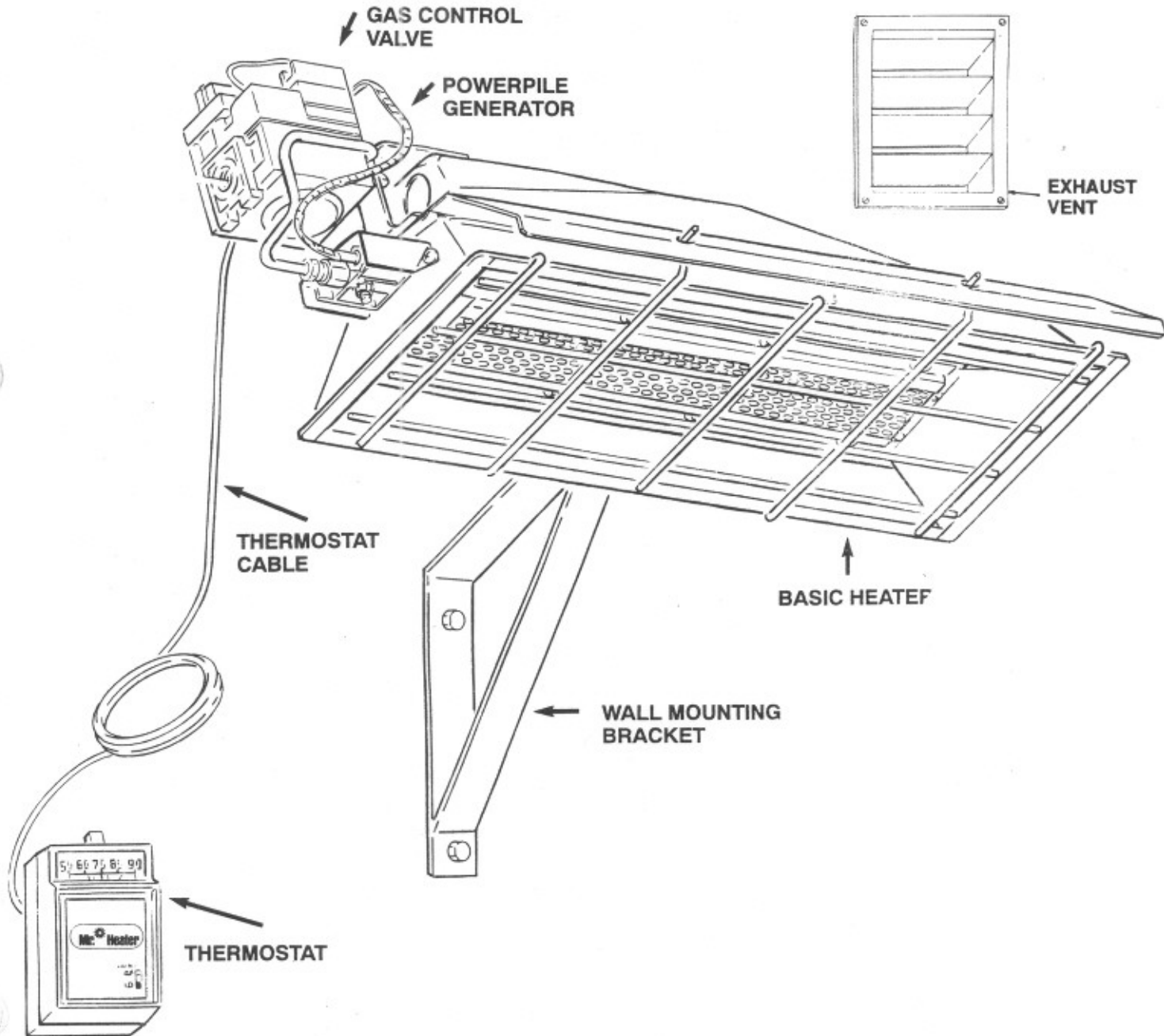


Figure 1. MR. HEATER Major Components

## 2. PURPOSE OF EQUIPMENT

### WARNING

MR. HEATER is for indoor installation only.

MR. HEATER is designed to heat indoor areas. Do not use for inhabited or small, enclosed areas.

MR. HEATER is an ideal selection when a simple and easily installed method of heating a garage or utility building is required.

## 3. MODELS COVERED IN THIS MANUAL

Model MH25NG is for use where natural gas is intended fuel source. Model MH25LP is for use where propane gas is the intended fuel source.

## 4. MANUAL USE

The procedures and information contained within this manual will allow purchaser of a MR. HEATER to install and maintain the heater safely and efficiently.

The cover and the following page provide a safety summary that attempts to gather all the warnings used within the manual in one location.

A table of contents is provided for easy reference to any portion of the manual.

Chapter 1 provides general information on the use of this manual and on the heater and MR. HEATER Corporation.

Chapter 2 provides heater installation requirements and information, such as: a) minimum distances from heater components to combustible materials, b) heater mounting requirements, c) venting requirements, d) fuel supply requirements, e) thermostat mounting.

Chapter 3 covers startup, operation, and shutdown of the heater.

Chapter 4 provides operator maintenance instructions such as: troubleshooting, adjustments, powerpile replacement and operator checks.

Chapter 5 provides warranty and replacement parts information.

## 5. GENERAL INFORMATION

- Your MR. HEATER comes fully assembled and is tested at the factory with the appropriate type of gas and at the input pressures stated on the nameplate.
- Upon receipt and prior to attempting installation, be sure to inspect the heater and its packaging for damage and/or missing components. If damage is found or missing components are suspected, contact your dealer. See Chapter 5 for a complete listing of items required for the safe and efficient installation and use of MR. HEATER.
- Never attempt to operate the heater using a fuel other than that specifically identified on the nameplate.
- The installation of the MR. HEATER must conform with all local building or, in absence of governing local codes, with the National Fuel Gas Code, ANSI Z223.1 (NFPA 54). This code can be obtained from either the: American Gas Association, 8501 East Pleasant Valley Rd., Cleveland, OH 44131; or, NFPA, Battery March Park, Quincy, MA 02269.
- Canadian installations must comply with CAN/CGA-B149.1.2 gas code which can be purchased from Canadian Gas Association, 55 Scarsdale Road, Don Mills, Ontario M3B 2R3.
- Plugged 1/8" N.P.T. Test Gage Connection is located on the Heater Gas Control.
- Contact factory when appliance is to be installed at high altitudes. Factory supply high altitude conversion kit with instructions and data plate.
- A plugged 1/8 inch NPT Test Gage Connection is provided on the heater gas control.
- **See Tables 1 and 2 for heater specifications:**

### WARNING

Improper installation, adjustment, alteration, service or maintenance can cause injury or property damage. Refer to this manual. For assistance or additional information consult a qualified installer, service agency or the gas supplier.

**Table 1. BTU Ratings and Supply Pressures**

MODEL NO.	BUT/HR. RATING		GAS SUPPLY PRESSURE (W.C.)						ORIFICE SIZE	
	GAS		MIN.		MAX.		MANIFOLD			
MH25NG	NATURAL	PROPANE	NAT.	L.P.	NAT.	L.P.	NAT.	L.P.	NAT.	L.P.
	25,000	---	7.0"	---	14"	---	6"	---	45	---
MH25LP	---	22,000	---	11"	---	14"	---	10"	---	55

**Table 2. Heater Dimensions and Orifice Sizes**

MODEL NO.	OPERATING PRESSURE	ORIFICE SIZE		INPUT BTU/H	SIZE			
		BURNER	PILOT		WIDTH	LENGTH	HEIGHT	WEIGHT
MH25NG	6.0" w.c.	45	.018	25,000	12-1/4"	29-3/4"	7"	20
MH25LP	10" w.c.	55	.011	22,000	12-1/4"	29-3/4"	7"	20

• For additional information contact:

MR. HEATER Corporation  
 2685 East 79th St.  
 Cleveland, Ohio 44104  
 Phone: 800-251-0001

• The following extra NFPA Manuals are helpful when installing MR. HEATER in a location not anticipated in this manual:

Number	Related Subject
NFPA 88	Clearances to Combustible Surfaces
NFPA 409	Clearances to Combustible Surfaces

**DO NOT EXCEED 1/2 PSI INLET PRESSURE TO HEATER.**

Provide adequate clearance to combustibles, Table 3 between control end of heater for servicing and minimum on top and sides for ventilation and combustion air supply.

A minimum clearance of 8' above floor for public garages in accordance with NFPA No. 88 most recent edition, or Figure 1; whichever is larger.

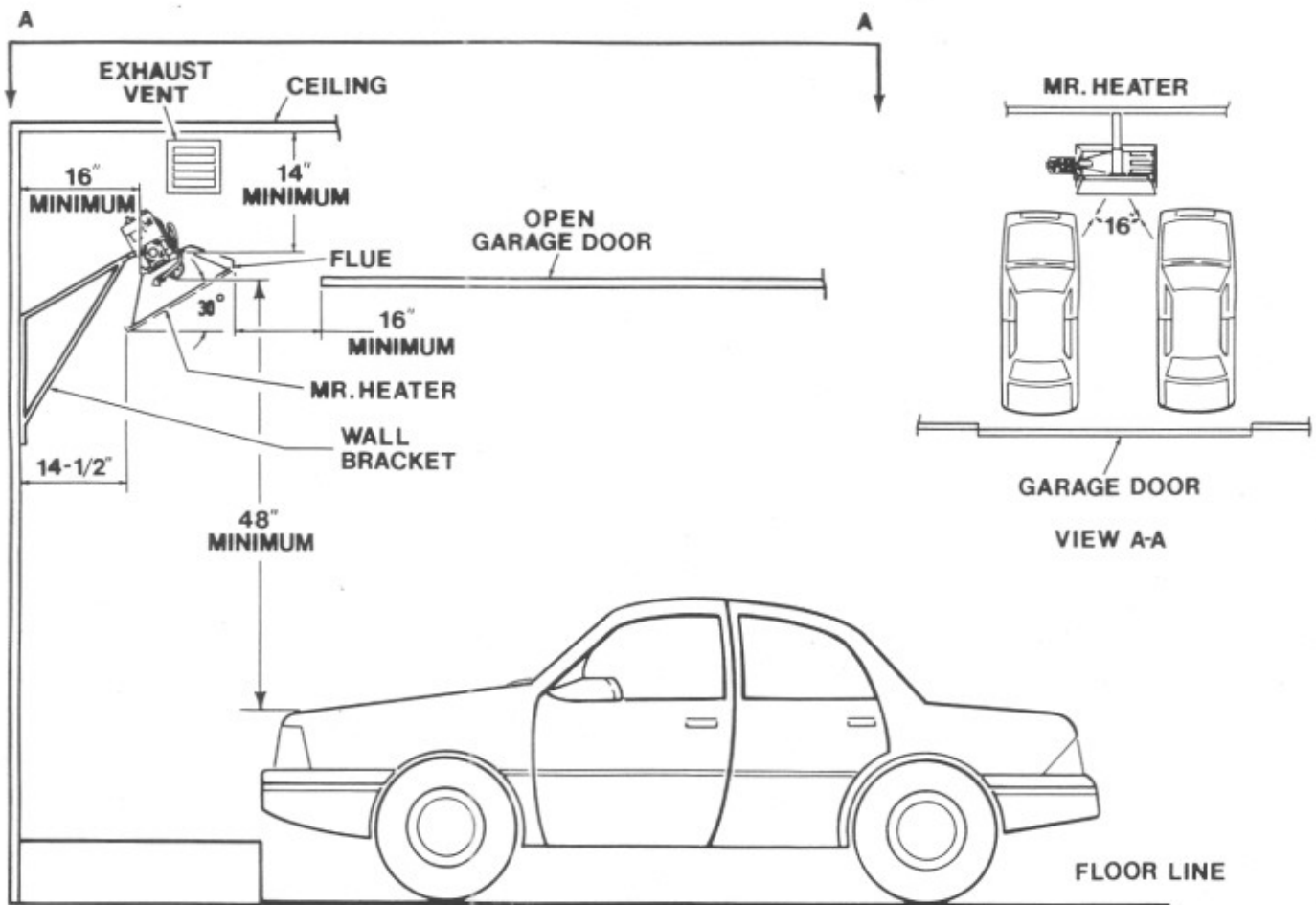
Canadian installations in public garages must comply with CGA 149B.1.9 most recent edition.

**WARNING** Maintain clearances as shown in Figure 2 or on heater nameplate, in garage installations where parked vehicles are directly below the heater.

## CHAPTER II MR. HEATER INSTALLATION

### 1. GENERAL INSTALLATION INFORMATION AND REQUIREMENTS

• The required minimum clearances to combustible surfaces are illustrated in Figure 2 and Table 3. As shown on Figure 2, front of the MR. HEATER is installed at the minimum required clearance to combustible surfaces and toward open space, then the other sides must have a minimum clearance of 16 inches to combustible surfaces.



**NOTE:**

1. ONLY FLUE SIDE OF HEATER CAN BE ELEVATED (30°).
2. HEATER SIDE REFLECTOR MUST BE HORIZONTAL.

**Figure 2. Installation Clearances to Combustible Surfaces**

**Table 3. Installation, Ventilation and Mounting Information**

MODEL NO.	BTU/HR. RATING		NORMAL MOUNTING POSITION	CLEARANCES TO COMBUSTIBLE SURFACES			
	NATURAL GAS	PROPANE		TOP	SIDES	BACK	BELOW
MH25NG	25,000	---	30°	14"	16"	16"	48"
MH25LP	---	22,000	30°	14"	16"	16"	48"

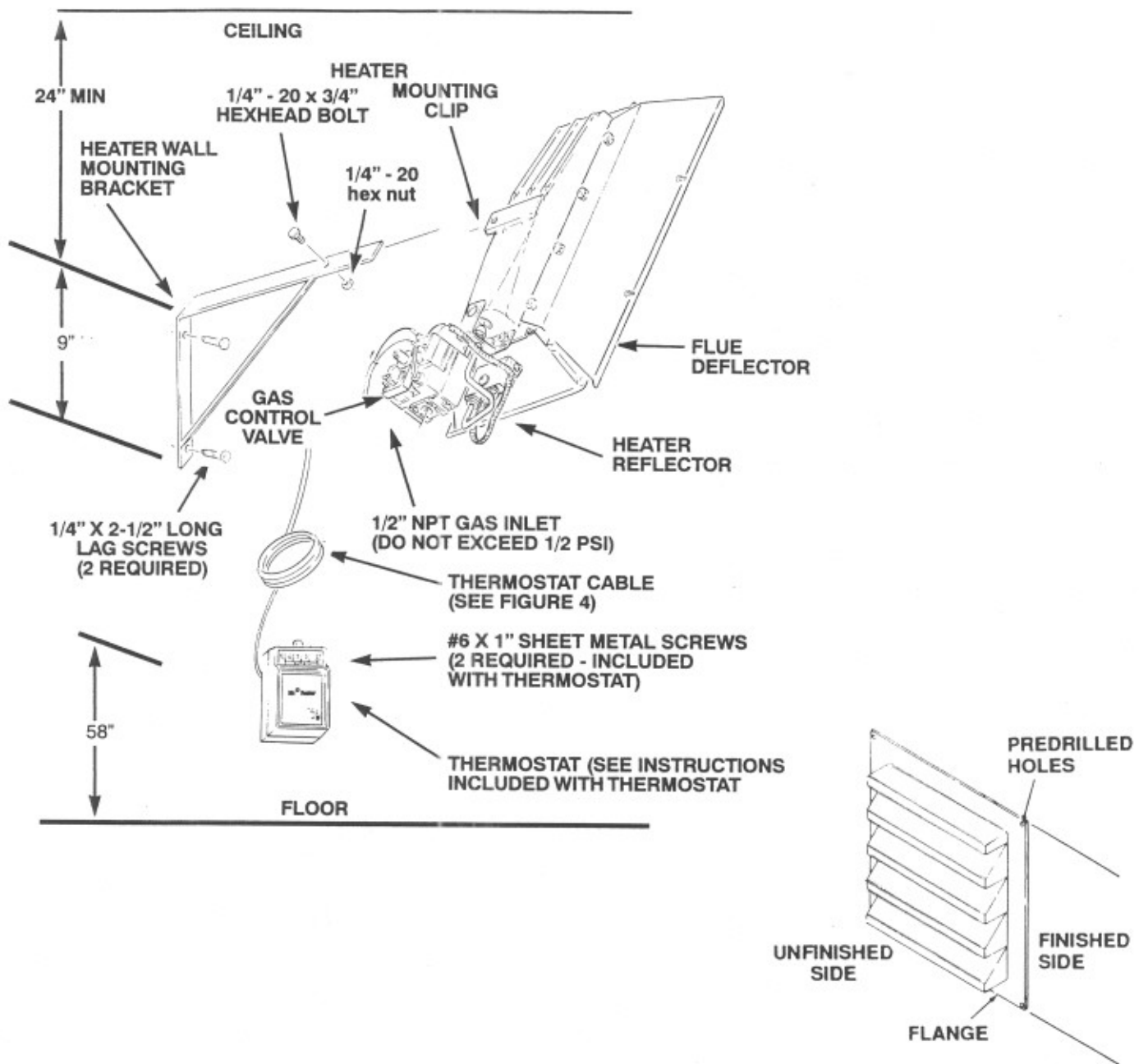
- The MR HEATER may be mounted on any wall, however, for garage installations, or in buildings configured similarly, it is recommended that MR. HEATER be mounted in the middle of the wall opposite the overhead doors.
- When selecting installation locations for MR. HEATER ensure that the opening of any exterior or interior doors or windows will not violate minimum clearances or contact any heater components.

- If an overhead door is installed in the building verify that MR. HEATER is not installed in such a way as to interfere with door operation and verify that the door in its open position will not reduce clearances below the minimum requirements. Never mount the MR. HEATER in such a way that would position the heater above an opened overhead door.
- In most cases the infiltration around your uninsulated entry doors and windows will provide enough air flow for efficient heater operation.
- Unrestricted air flow during heater operation is essential to prevent the area above the installed MR. HEATER from over heating. If your garage/utility building is tightly insulated (including windows, doors, openings, etc) the following ventilating methods must be followed:
  - A single exhaust vent is supplied with your MR. HEATER for your convenience. This vent must be located above the heater (preferably at the highest point in the building interior) and it must vent to the exterior of the building. An additional vent is available from MR. HEATER for those having a finished garage or utility building.
  - An intake vent, or equivalent, from the exterior of the building and having an effective area of 75 square inches must be located below the heater (preferably within 2 feet of the building's floor).
  - Openings equivalent to intake vents would be: partially open doors and partially open windows.
  - Openings of this size (5 inch by 13 inch, or 3 inch by 25 inch) will prevent dangerous heat buildup above the MR. HEATER.
- Ensure that no gas lines or electrical wiring or conduits will interfere with mounting of the MR. HEATER to the wall.
- Depending on local codes and requirements and the installer's skill level the sizing and installation of gas lines required to supply the MR. HEATER ,mat require the assistance of a professional. If in doubt as to these requirements, discuss the requirements of this manual with the dealer from whom the heater was purchased and your gas supplier, or call the MR. HEATER customer service department at 1-800-251-0001.
- The selection of the thermostat mounting location is critical to efficient and effective heater operation:
  - The thermostat should be mounted about 5 feet above the floor where air can circulate freely around it.
  - The thermostat should not be mounted directly to a cold exterior wall without an insulated mounting block.
  - The thermostat should not be mounted in direct drafts.
  - The thermostat should not be mounted directly below the installed MR. HEATER.
  - The thermostat should not be installed at a distance that is farther from the heater then the length of the thermostat cable.

## 2. HEATER MOUNTING INSTRUCTIONS

After selecting the MR. HEATER installation location and the thermostat location and after verifying and ensuring that all of the above placement requirements are fulfilled, mount the MR. HEATER as follows:

- a. Determine how you wish to install the vent based on the construction of the building and your personal preference. (i.e. Do you wish the flanged (finished) side on the interior or the exterior of the building or do you want two vents so that both exterior and interior will be finished?) If needed, order an additional vent from MR. HEATER. Our address and toll free phone number are on the cover of this manual. Install the vent as follows:
  1. See Figure 3 for dimensions and information on the vent.
  2. Select a place as high above the heater as possible in accordance with the above requirements and ensure that the vent or vents will not contact or interfere with existing building systems (i.e. ducts, wiring, plumbing, etc.).
  3. Place the unfinished side of the vent against the wall in its elected location and trace its dimensions on the wall with a pencil or other suitable marker.
  4. Cut or otherwise open a hole in the wall, or walls for finished buildings, having the dimensions of the unfinished side of the vent.



**Figure 3. MR. HEATER Mounting Information**

5. Install the vent or vents as desired and retain with 4 suitable fasteners through the predrilled hole in vent flange.
- b. Prepare to install the MR. HEATER wall mounting bracket as follows:
1. If the wall mounting bracket is to be attached to a stud and wallboard wall: refer to Figure 3 for dimensions, locate a stud, and drill two 1/8" pilot holes into the stud centerline. Use template for simplified installation.
  2. If the wall mounting bracket is to be attached to a brick or masonry wall: refer to Figure 3 for dimensions, obtain two 1/4 inch (inside diameter) expansion anchors and determine the correct drill size to be used with them, drill the appropriate size holes in the brick or masonry to accept the anchors.
- c. Place the wall mounting bracket on the wall and align the two through holes on the bracket with the pilot holes or anchors. Install 1/4 inch by 2-1/2 inch lag screws through the bracket and thread into the stud or anchors. Tighten securely.



- d. Locate heater mounting clip on back of heater and locate the 1/4 inch - 20 by 3/4 inch hex head bolt and 1/4 inch - 20 hex nut.
- e. Position the heater as shown in Figure 3 and slide the heater mounting clip over the bracket and install the bolt through the clip and bracket.
- f. Thread the hex nut on to the bolt and tighten securely.
- g. Ensure that the selected thermostat location meets all of the above requirements. Refer to the instructions that come with the thermostat for additional grounding information and mounting instructions.
- h. If the wall is of stud and wallboard construction, then use the #6 by 1 inch sheet metal screws, included with the thermostat, and mount the thermostat in the selected location.
- i. If wall is brick or masonry: the appropriate anchors must be obtained to accommodate thermostat mounting screws, use the back plate of the thermostat as a template to mark the hole location, drill appropriate size anchor holes, install the anchors, securely attach the thermostat using the mounting screws.
- j. Connect thermostat wires to gas valve as shown in Figure 4.

Refer to National Electrical Code NFPA70-1993 and for Canadian installations to current CODE C22.1-L.

THERMOSTAT



POWERPILE GENERATOR

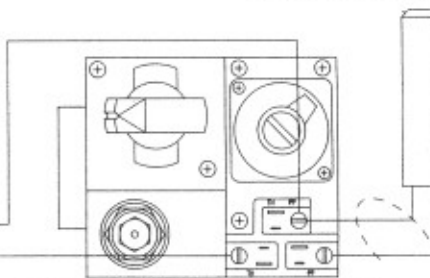


Figure 4. Connection Diagram

POWERPILE GAS VALVE

### 3. CONNECTING MR. HEATER TO GAS SUPPLY

**WARNING**

Depending on local codes and requirements and the installer's skill level the sizing and installation of gas lines required to safely and efficiently supply the MR. HEATER may require the assistance of a professional. If in doubt as to these requirements, discuss the requirements of this manual with the dealer from whom the heater was purchased and your gas supplier.

#### 3.1 Gas Supply Requirements

- See Tables 1 and 2 for gas supply minimum, maximum, operating, and manifold pressures for both heater models. Pressures are provided in inches of W.C. (water column). Also, see heater rating plates located on the heater.

## WARNING

Model MH25NG is designed to burn natural gas and it comes equipped with a regulator. The regulator is built into the gas valve. The maximum inlet pressure to this regulator is 1/2 psi (14 in. W.C.). If gas line pressure exceeds 1/2 psi, then an additional regulator must be installed before the heater/regulator to step down the pressure to a maximum of 1/2 psi.

- Most residential natural gas services provide a line pressure of 4 oz. (6.9 in. W.C.). If in doubt consult your natural gas supplier.
- To ensure the best performance from your natural gas heater make sure the supply manifold pressure is at least 6" W.C.

## WARNING

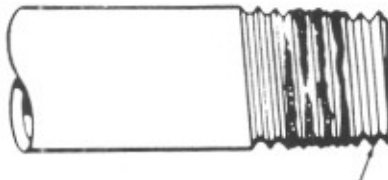
- Model MH25LP is designed to burn liquified petroleum (LP) gas and it comes equipped with a regulator. The regulator is built into the gas valve. The maximum inlet pressure to this regulator is 1/2 psi (14 in. W.C.). If gas line pressure exceeds 1/2 psi, then an additional regulator must be installed before the heater/regulator to step down the pressure to a maximum of 1/2 psi.
- To ensure the best performance from your LP gas heater make sure the supply manifold pressure is at least 1/2 psi (14 in. W.C.).

### 3.2 Piping Requirements

All piping installed must comply with local codes and ordinances or with National Fuel Gas Code, ANSI Z223.1 (NFPA 54), whichever takes precedence. When installing piping, the following requirements must be taken into consideration: (Canadian installations must comply with the B149.1.2 Gas Code.)

- Use new properly reamed black pipe free from chips.
- Apply a good quality pipe compound to all male threads prior to assembly. If LP gas is the fuel, ensure that pipe compound is resistant to LP gas. Do not use Teflon™ tape.
- Prior to installation, apply pipe compound to all male threads as shown in Figure 5.

#### USE MODERATE AMOUNT OF PIPE DOPE



LEAVE 2 THREADS BARE

Figure 5. Pipe Compound Application

- Male threads on pipe to be installed into gas valve shall meet the requirements of Figure 6. Threads longer than those shown in the figure may cause gas valve distortion and malfunction.
- A sediment trap meeting the typical requirements of Figure 7 shall be installed in the line to the gas valve.
- A dedicated shutoff valve for the heater must be installed in the gas supply line.

### 3.3 Piping Installation

While ensuring that all of the above gas supply requirements and piping requirements are fulfilled install piping as follows:

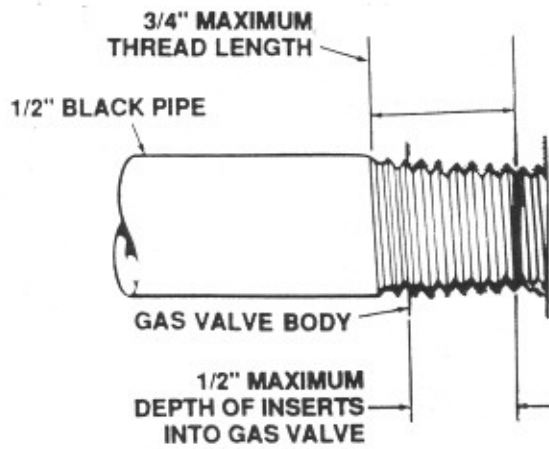
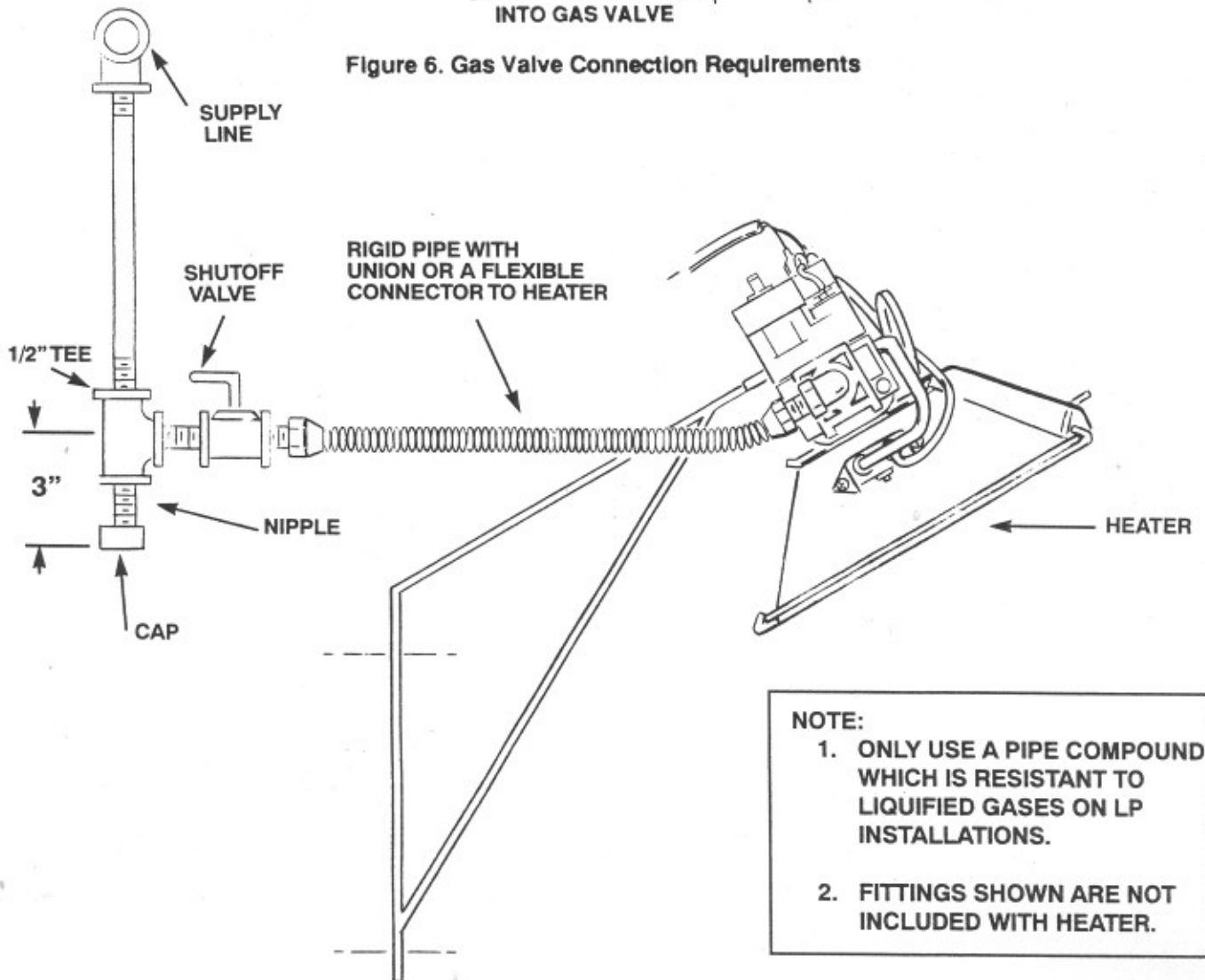


Figure 6. Gas Valve Connection Requirements



**NOTE:**

1. ONLY USE A PIPE COMPOUND WHICH IS RESISTANT TO LIQUIFIED GASES ON LP INSTALLATIONS.
2. FITTINGS SHOWN ARE NOT INCLUDED WITH HEATER.

Figure 7. Typical Piping Installation

- a. In accordance with the above piping requirements, assemble piping, sediment trap, shutoff valve, and necessary fittings. Tighten all components securely.

**WARNING**

Failure to ensure that male threads on pipe to be installed into gas valve meet the requirements of Figure 6 may cause gas valve damage, distortion, and malfunction.

- b. Install a threaded nipple, prepared in accordance with paragraph 3.2, into gas valve.
- c. Connect gas piping to nipple installed in the gas valve.

**WARNING**

When testing gas piping use only a soap and water solution. Do not use a match or other flame for leak testing. If during leakage check gas is smelled turn off the gas supply and ventilate building.

- d. Ensure the building is properly ventilated. Without lighting the pilot light of the heater open the gas supply valve and pressurize the piping up to the heater's gas valve.
- e. Using a brush, apply a soap and water solution to all connections and look for bubbles indicating a leak. If a leak is detected, turn off gas supply and tighten connections. Retest and tighten connections until no more leaks are found.

## CHAPTER III

### MR. HEATER OPERATING INSTRUCTIONS

#### 1. OPERATION SAFETY INSTRUCTIONS

**WARNING**

When used without fresh air, heater may give off CARBON MONOXIDE, an odorless poisonous gas. OPEN WINDOW AN INCH OR TWO FOR FRESH AIR WHEN USING HEATER.

## WARNING

This heater is equipped with a PILOT LIGHT SAFETY SYSTEM. DO NOT TAMPER WITH PILOT LIGHT SAFETY SYSTEM.

## WARNING

If heater shuts off, do not relight until you provide fresh air. If heater keeps shutting off, have it serviced. Keep burner and control clean. Open door for 5 minutes.

## WARNING

CARBON MONOXIDE POISONING MAY LEAD TO DEATH. Early signs of carbon monoxide poisoning resemble the flu with headache, dizziness and/or nausea. If you have these signs, heater may not be working properly. Get fresh air at once! Have heater serviced.

## WARNING

DO NOT USE MATCH OR OTHER FLAME FOR LEAK TESTING.

## CAUTION

If the infra-red color of the grid becomes dull when the house furnace is operating, consult gas supplier on correct gas supply piping sizes.

## CAUTION

MR. HEATER is for indoor installation only!

## NOTE

Gasket binder material used in this heater assembly will temporarily emit an odor and/or vapor. This condition will clear up in approximately 20 minutes and thereafter will not reoccur. Refer to Chapter 2 for ventilation.

## 2. MR. HEATER STARTUP

## WARNING

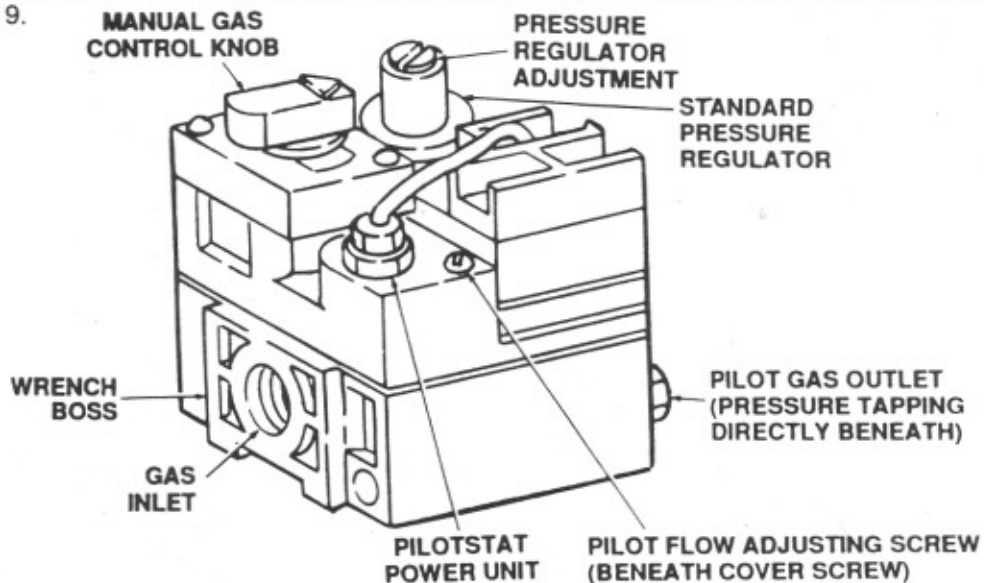
During MR. HEATER startup ensure that building is well ventilated.

- a. Open the gas supply valve or valves.



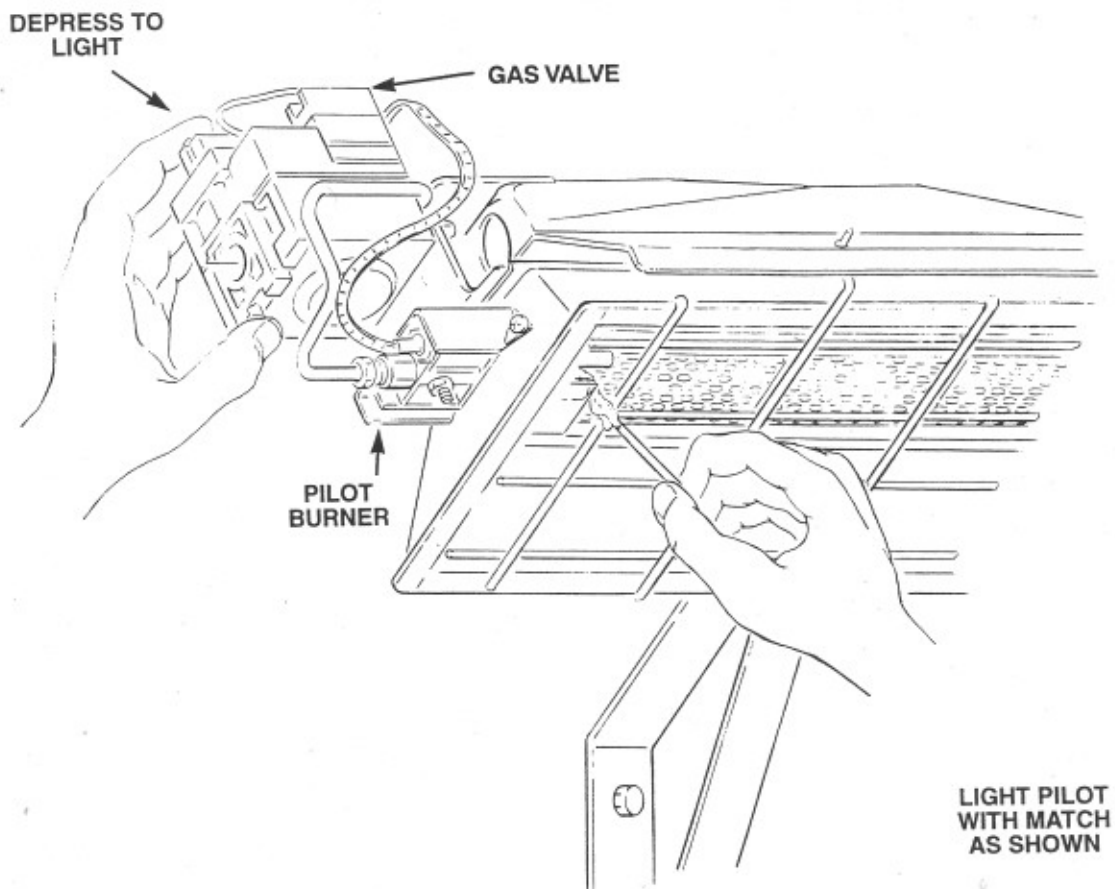
**FIGURE 8. THERMOSTAT CONTROLS**

- b. Set the thermostat to the OFF position. See Figure 8.
- c. If the manual gas control knob on the gas valve is not in the OFF position, partially depress the knob and rotate to the OFF position. See Figure 9.



**Figure 9. Gas Valve Components**

- d. Wait 5 minutes to allow gas that may have accumulated in the main burner to escape (especially important after installation).
- e. Turn the manual gas control knob to the PILOT position.
- f. Depress the manual gas control knob. Using a match, light the pilot light. See Figure 10. Hold the knob down for approximately 30 seconds to allow any air in gas lines to pass through pilot and, once pilot is lit, allow the thermocouple to heat up enough to activate the safety valve in an open position.
- g. Release manual gas control knob and turn to ON.
- h. Reset thermostat to desired temperature,



**Figure 10. Lighting of Pilot Burner**

### **NOTE**

During the initial startup of MR. HEATER an odor and, perhaps, some vapor will come from the heater. This is the gasket binding material emitting this odor and/or vapor. After approximately 20 minutes this odor will disappear and not occur again.

### **3. MR. HEATER SHUTDOWN**

- a. Turn thermostat to OFF.
- b. Turn manual gas control knob on gas valve to PILOT position.
- c. Partially depress knob and rotate to the OFF position.
- d. Close gas supply valves.

# CHAPTER IV

## OPERATOR MAINTENANCE INSTRUCTIONS

### 1. TROUBLESHOOTING

- Table 4 lists the common malfunctions which you may find during the operation or maintenance of your heater.
- For additional information refer to Honeywell Field Bulletin enclosed in the heater carton.
- In the event results cannot be obtained after performing all listed solutions, call your Mr. Heater dealer.

### 2. ADJUSTING THE PILOT FLAME

The pilot flame should envelop 3/8 to 1/2 in. (10 to 13 mm) of the tip of the thermocouple or generator. Refer to Figure 11. To adjust:

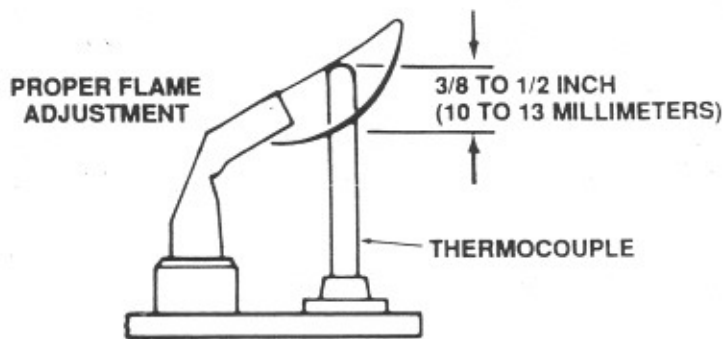




Figure 11. Proper Flame Adjustment

- Remove pilot adjustment cover screw. Refer to Figure 12.
- Turn inner adjustment screw clockwise  to decrease or counterclockwise  to increase pilot flame.
- Always replace cover screw after adjustment and tighten firmly to ensure proper operation.

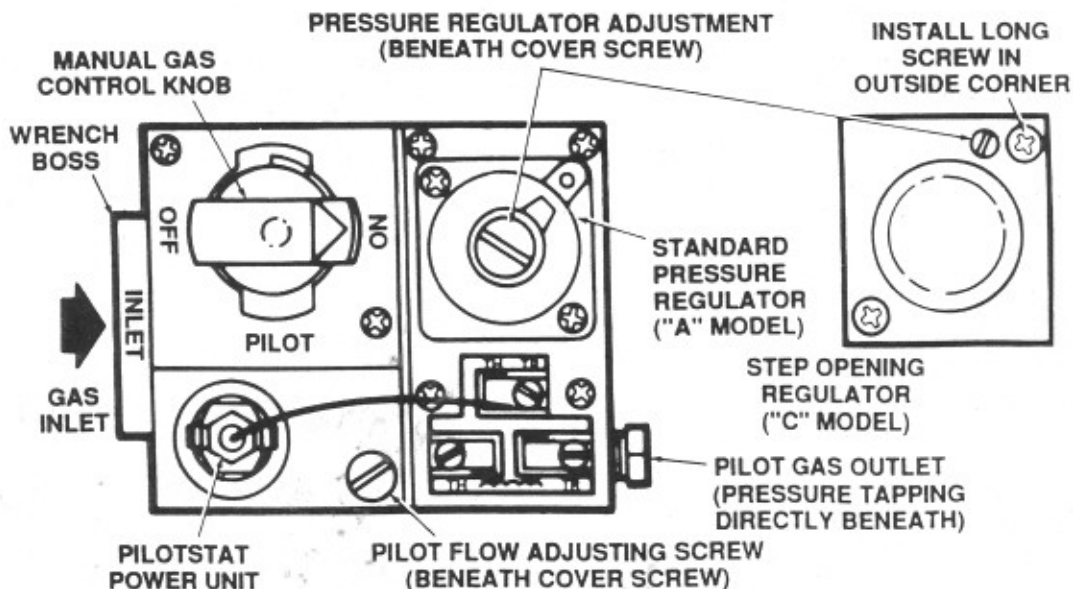


Figure 12. Top View of Standard Capacity Gas Control.



**Table 4. Trouble Shooting Chart**

Below in chart form are various symptoms of a malfunctioning system, possible defects that will cause these symptoms and suggested corrective measures. The chart assumes that the proper gas pressure is available to the heater and that the lighting procedure is as stated on the plate attached to the heater.

SYMPTOMS	CAUSES	SOLUTIONS
burner light off very slow	partially block pilot orifice pilot out of adjustment	replace re-adjust pilot
burner light off very slow infra-red color stays dull	partially blocked burner orifice	replace
burner flash back (roaring noise during operation and ceramic grid surface will be dark)	low gas pressure  damaged burner	correct line pressure or call your gas supplier  replace
ceramic grid or burner sooting up (when new or after cleaning)	first check for damaged burner orifice  if burner orifice is not damaged then check for damaged manifold	replace if damaged  replace
pilot cannot be ignited	blocked pilot orifice  gas cock not in position  pilot gas flow adjustment screw may be closed	replace  gas cock knob must be turned to pilot and held depressed  open and adjust (see Figure 12)
pilot lights but goes out	defective thermocouple  defective control	replace  replace
pilot stays lit but main burner will not light	loose wire or improperly wired  defective control blocked burner orifice	tighten connections, check wiring diagram  replace clean orifice or replace
failure to ignite	main gas off air in gas line loose wire connections dirty wire connections	open manual valves bleed gas line tighten wire connections clean terminals and secure terminals

### 3. REPLACING THE GAS VALVE UNIT

- a. Remove the two gas valve unit wires at the gas control valve labeled "PP".
- b. Unscrew gas valve from gas piping.
- c. Reconnect gas valve and unit wires to terminals "PP". Be sure to leave thermostat wire on one terminal.

#### 4. FREQUENCY OF OPERATOR CHECKS

**Intermittent use.** Appliances that are used seasonally should be checked before shutdown and again before the next use.

**Dusty, wet or corrosive environment.** Since these environments can cause the gas control to deteriorate more rapidly, the system should be checked more often.

The gas control should be replaced if:

- a. It does not perform properly on checkout or trouble shooting.
- b. The gas control knob is hard to turn or push down, or it fails to pop back up when released.

### IF SERVICE IS REQUIRED

PLEASE DO NOT RETURN THIS APPLIANCE TO YOUR STORE.

For information regarding service, please call our Toll-Free Number: 1-800-251-0001.

Our office hours are 8:30 AM - 5:00 PM, Eastern Time Zone, Monday Through Friday

Please include the model number, date of purchase, and description of problem in all communication.

## CHAPTER V REPLACEMENT PARTS LIST

### 1. INTRODUCTION

This section of the manual will help you to obtain efficient and dependable service from your heater and enable you to order repair parts correctly.

- a. Order parts by giving full model number and serial number as it is stated on the name plate attached to the heater.
- b. See Figure 13 to assist in locating parts.
- c. Refer to Table 5 for part number And description.

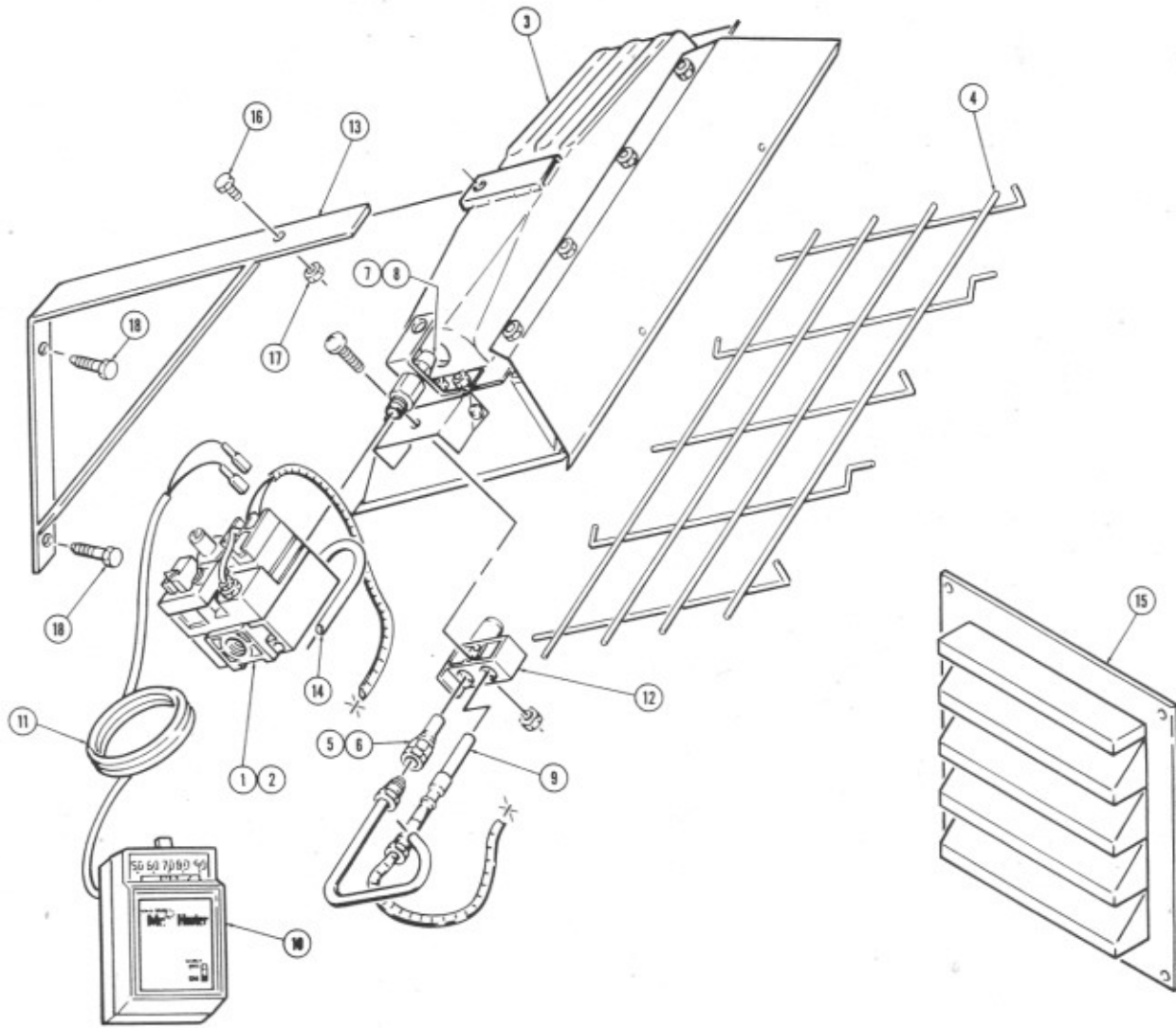
### 2. WARRANTY

MR. HEATER warrants that Infra Red Heaters manufactured and sold will be free from defects in material and workmanship.

Parts, assemblies, controls, etc. furnished by MR. HEATER suppliers will carry a one (1) year warranty from date of purchase.

The sole responsibility of MR. HEATER under this warranty shall be to replace any part for which a written claim is made to MR. HEATER WITHIN THE TIME LIMIT OF THIS WARRANTY, WHICH IS RETURNED UPON REQUEST TO MR. HEATER - F.O.B. Cleveland, Ohio - OR F.O.B. a MR. HEATER authorized service facility and which is proved to be defective upon inspection by MR. HEATER.

This warranty shall not apply to any part or product which has been subjected to misuse or neglect, damaged by accident, or rendered defective by reason of improper installation. **THIS WARRANTY IS IN LIEU OF ANY AND ALL OTHER WARRANTIES, EXPRESSED OR IMPLIED,** and of any other responsibility of MR. HEATER for parts or products sold by MR. HEATER, including consequential or special damages.



**Table 5. Replacement Parts List for MR. HEATER Models MH25NG and MH25LP**

ITEM NO.	STOCK NO.	DESCRIPTION	ITEM NO.	STOCK NO.	DESCRIPTION
1*	00024	Gas Valve - Natural Gas	10	10357	Thermostat
2*	00025	Gas Valve - Propane Gas	11**	10358	Thermostat Cable
3*	02529	Burner Assembly Complete	12*	11365	Pilot Burner
4	04432	Face Guard	13	14405	Wall Mounting Bracket
5*	05370	Orifice - Pilot-Natural Gas	14*	16416	Pilot Tube
6*	05397	Orifice - Pilot-Propane Gas	15	19014	Exhaust Vent
7*	05445	Orifice - Burner - Natural Gas	16**	98011	1/4 x 20 x 3/4 Hex Head Bolt
8*	05455	Orifice - Burner - Propane Gas	17**	98700	1/4 - 20 Hex Nut
9	09360	Thermocouple	18**	98969	1/4 x 2-1/2" Lag Screw (2)

\* These items must be installed/serviced by a qualified HVAC (Heating, Ventilating, and Air Conditioning) contractor or propane dealer service technician.

\*\* These Items Can Be Purchased Under Kit # 59135

Contact your local dealer or MR. HEATER Corporation, 2685 East 79th St. Cleveland, Ohio 44104, Phone 800-251-0001, for replacement parts and information.

**ALL WARRANTY CLAIMS REQUIRE PROOF OF PURCHASE**

## Free Manuals Download Website

<http://myh66.com>

<http://usermanuals.us>

<http://www.somanuals.com>

<http://www.4manuals.cc>

<http://www.manual-lib.com>

<http://www.404manual.com>

<http://www.luxmanual.com>

<http://aubethermostatmanual.com>

Golf course search by state

<http://golfingnear.com>

Email search by domain

<http://emailbydomain.com>

Auto manuals search

<http://auto.somanuals.com>

TV manuals search

<http://tv.somanuals.com>