

# OWNER'S MANUAL

## SNOW THROWER

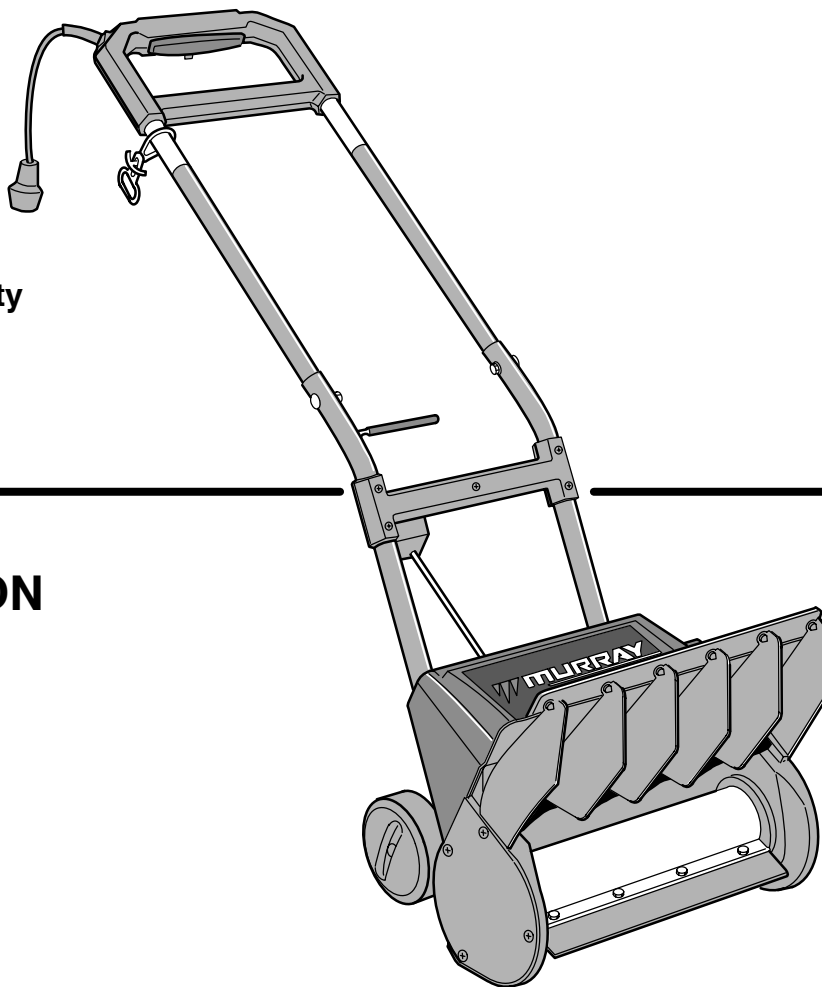
120 V.A.C. 6.5 AMP. 60 Hz.

Double insulated

15" clearing width

Model No.

615000x30NC



**Caution: Read and Follow all Safety Rules and Instructions Before Operating This Equipment**

---

## MANUEL D'UTILISATION

### CHASSE-NEIGE

De 15 po

Double Isolation

12 V.C.A., 6.5 ampères, 60 hz

Numéro de modèle

615000x30NC

**Attention: Lire et respecter toutes les directives et mesures de sécurité avant d'utiliser le chasse-neige**

F-041019C

  
C **UL** US  
LISTED  
SNOW MOVER  
894Y  
File No E76832

## TABLE OF CONTENTS

WARRANTY	2	OPERATING INSTRUCTIONS	6
SAFE OPERATING PRACTICES	3	MAINTENANCE AND STORAGE	9
ASSEMBLY	5	REPAIR PARTS	12

### ONE YEAR LIMITED WARRANTY

Murray, Inc. warrants to the original purchaser that this unit shall be free from defects in material and workmanship under normal use and service for a period of **One (1) Year** from the date of purchase; however, this warranty does not cover engines, accessories (such as electric starters) and Normal Wear Parts (except as noted below) as the companies that manufacture these items furnish their own warranties and provide service through their authorized field service facilities. For additional information, see the warranties covering these particular parts. If you are uncertain whether your unit contains or is equipped with one or more of these parts, consult your dealer prior to purchase. Subject to the terms and conditions noted in this Limited Warranty, we shall, at our option, repair or replace at no cost to the original purchaser any part covered by this Limited Warranty during the applicable warranty period.

Normal Wear Parts are defined as drive belts, augers, shear pins, tires and headlights. These parts are warranted to be free from defects in material and workmanship as delivered with the product. Any claim for repair or replacement of Normal Wear Parts must be made within thirty (30) days of the date of purchase. No claims involving damage caused from material use, abuse or misuse will be honored.

This Murray, Inc. **One (1) Year Limited Warranty** is your exclusive remedy; however, this warranty is void or does not apply to any unit that has been tampered with, altered, misused, abused or used for rental or other commercial and/or professional (non-homeowner) uses. Your warranty does not cover minor mechanical adjustments which are not due to any defect in material or workmanship. For assistance in making such adjustments, consult your Instruction Book.

To make a claim under this Murray, Inc. **One (1) Year Limited Warranty**, return the unit (or if authorized in advance, the defective part) along with your proof of purchase to an Authorized Service Center near you. To locate the nearest Authorized Service Center, call the Central Parts Distributor for your area shown in the list provided with your unit or check the Yellow Page listings in your local telephone directory. If you return the entire unit, we will repair the unit. If we authorize the return of the defective part only, we will either replace or repair the part. This Murray, Inc. **One (1) Year Limited Warranty** gives you specific legal rights, and you may also have other rights which vary from state to state. **This Limited Warranty is given in lieu of all other expressed and implied warranties including the implied warranty of merchantability and warranty of fitness for a particular purpose.** If you need additional information on this written warranty or assistance in obtaining service, write:

**MURRAY CANADA, INC.**

Factory Customer Service  
1195 Courtneypark Drive East  
Mississauga, Ont. L5T-1R1  
1-800-661-6662

Thank you for purchasing this Snowthrower. Care for your Snowthrower properly and it will provide you with satisfactory, labor-saving performance.

This operator's manual has been prepared to provide you with the information necessary for safe operation and proper maintenance. To gain a complete understanding of the Snowthrower, read this manual thoroughly. Before operating familiarize yourself with the location of controls, operating procedures, and general maintenance instructions.

**FOLLOW THE SAFE OPERATING INSTRUCTIONS** to insure proper Snowthrower operating and to prevent possible injury to yourself or others.

Thank you again for selecting this Snowthrower as your labor-saving tool for snow removal. If you have any questions about your Snowthrower or if you desire parts and service, contact your authorized service dealer. He is prepared with service parts and technical knowledge to care for your particular needs.

F-041019C

### PRODUCT SPECIFICATIONS

<b>RATING:</b>	120 V.A.C. 6.5 AMPS, 60 HZ
<b>CLEARING WIDTH:</b>	15"
<b>CLEARING HEIGHT:</b>	7"



**WARNING:** The motor is equipped with a protector that will disconnect power to the motor temporarily if the snow thrower is overworked, and will automatically reset as the motor cools. If the motor stops, release the control bar, disconnect the extension cord and allow the motor to cool 5 minutes before continuing operation.

---

# IMPORTANT

---

## SAFE OPERATION PRACTICES FOR WALK-BEHIND SNOW BLOWER DO NOT OPERATE THIS EQUIPMENT BEFORE READING THIS MANUAL

Read entire owner's manual before attempting to assemble or operate this Snowthrower.

### Before Operation

- **Read and understand this manual.** Become familiar with the Snowthrower and all its controls.
- Exercise caution to avoid slipping or falling, especially when operating in reverse.
- Know how to stop quickly.
- **KEEP CHILDREN AWAY** - Keep bystanders a safe distance from work area.
- Never allow children to operate the Snowthrower. Never allow adults to operate the equipment without proper instruction.
- Remove mats, boards, sticks, wire or any foreign objects which can be picked up and thrown by the Snowthrower. Do not use on gravel surface.
- Do not wear loose clothing or jewelry. They could be caught in moving parts.
- Do not operate the equipment without wearing adequate winter outer garments. Wear footwear which will improve your footing on slippery surfaces.
- Wear rubber boots that don't leak when operating the Snowthrower.
- **WARNING: TO PREVENT ELECTRICAL SHOCK** use only with an extension cord suitable for outdoor use and in usable condition. Extension cords are available at your local service center.
- Inspect the Snowthrower. If any part is damaged, have it inspected by your local Service dealer before operating.
- Make sure impeller will spin freely before attaching to power source.
- If impeller will not rotate freely due to frozen ice, thaw unit thoroughly before attempting to operate under power.
- Use only with a receptacle that has been installed in accordance with local inspection authorities and wired for 110/120V, 10/20 AMP outdoor service.
- **DO NOT USE OVERLOADED CIRCUIT.**
- Maintain Snowthrower with care. Follow instructions contained in this manual.
- Never attempt to make adjustments while the motor is running (except where specifically recommended by manufacturer).
- To prevent disconnection of Snowthrower from extension cord during operation follow the instructions for securing the extension cord contained in this manual.
- Keep bystanders away from the area of operation.
- Avoid accidental starting. Don't carry plugged in Snowthrower with finger on switch. Be sure switch is off when plugging in.

- If Snowthrower is to be left unattended, remove key and disconnect from power source.
- If extension cord is damaged in any way while plugged in - pull extension cord from wall receptacle. Replace damaged cord immediately
- **WARNING: DON'T ABUSE CORD** - never carry Snowthrower by cord or yank cord to disconnect from receptacle. Keep cord from heat, oil and sharp edges.
- Keep hands and feet away from moving parts. Keep clear of discharge opening at all times.
- Don't force Snowthrower. It will perform better and safer at the rate for which it was designed.
- Don't overreach. Keep proper footing at all times.
- If Snowthrower strikes a foreign object:
  - a. Stop immediately
  - b. Disconnect from power source.
  - c. Inspect for damage.
  - d. Repair any damage before restarting.
- Operate Snowthrower only in adequate light - never in the dark.
- Never direct snow discharge chute toward glass enclosures, automobiles, or bystanders. Keep children and pets away.
- Never discharge snow onto public roads or near moving traffic.
- Never attempt using the Snowthrower on a roof.
- Never operate the Snowthrower near window wells, drop-offs, etc.
- Always be sure of your footing, and keep a firm hold on the handle.
- Walk, never run.
- Disconnect power cord and remove key whenever you leave the operating position, before cleaning, or maintaining Snowthrower.

### Preparing for Storage

- Remove residue ice or snow from impeller by briefly running motor out of snow.
- Disconnect from power source and remove key.
- Store Snowthrower indoors, in dry, locked place, out of reach of children.

### Observe Caution Decals Located On Motor Housing.

- The use of any other accessory or attachment might increase the risk of injury to the user.
- When servicing use only genuine factory replacement parts and accessories.
- For safe operation in snow use only CONTINUOUS power cords without cuts or cracks in insulation and without taped splices or mechanical plugs that could seep moisture.



**This safety alert symbol identifies important safety messages on machines and in manuals. When you see it, be alert to the possibility of personal injuries or damage to unit. Follow all instructions in these safety messages.**

# ASSEMBLY

Your Snowthrower was completely assembled at the factory, except for the upper handle assembly.

## Shipping Carton

Carefully remove complete unit from carton. Make sure parts bag and all components have been removed before discarding carton.

The shipping carton contains the following items:

- Snowthrower housing, with lower handles attached.
- Upper handle loosely attached to lower handle by the wire harness.
- Key, found in rear of control bar.
- Plastic bag, containing the following parts (Figure 1):
- Warranty registration
- Owner's Manual
- Spare Key
- Plastic probe
- Mini wrench/drive pulley tool
- (2) 1/4 - 20 x 1 1/4 carriage bolts
- (2) 1/4 - 20 locknuts
- (1) Plastic Strain Relief

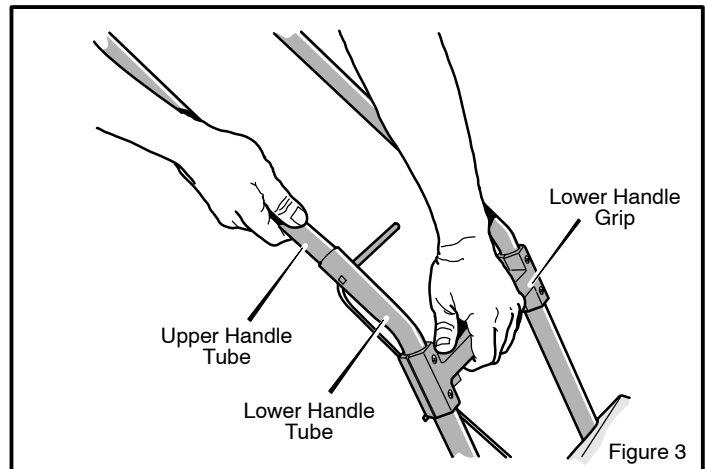
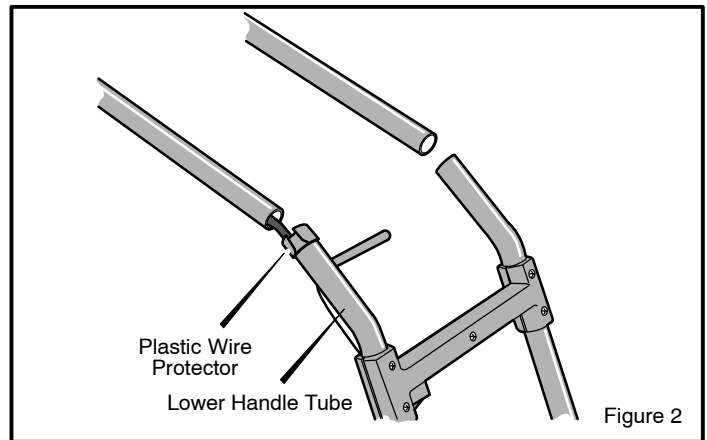
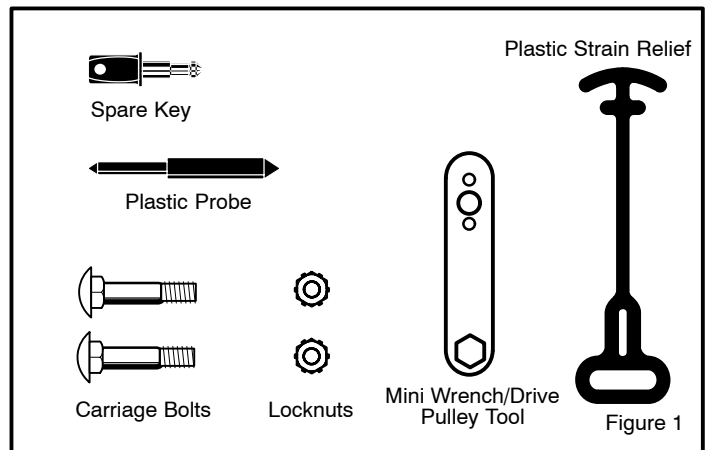
## Assembly

Remove and discard wire protector from lower handle tube. Figure 2.

**NOTE: Care should be given as not to damage wire harness while assembling Snowthrower.**

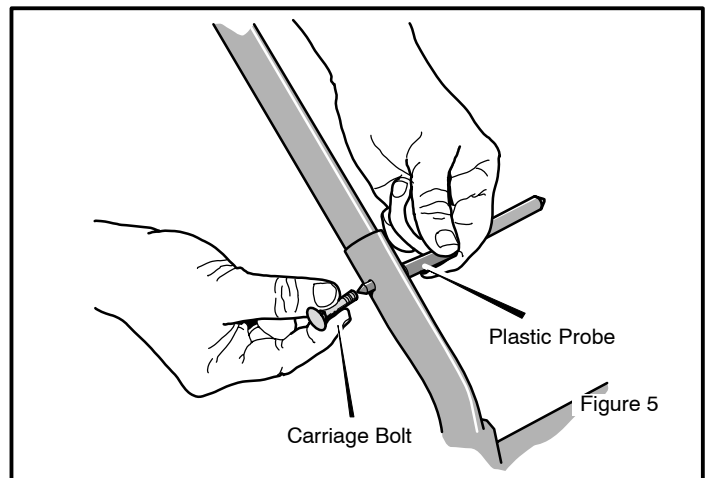
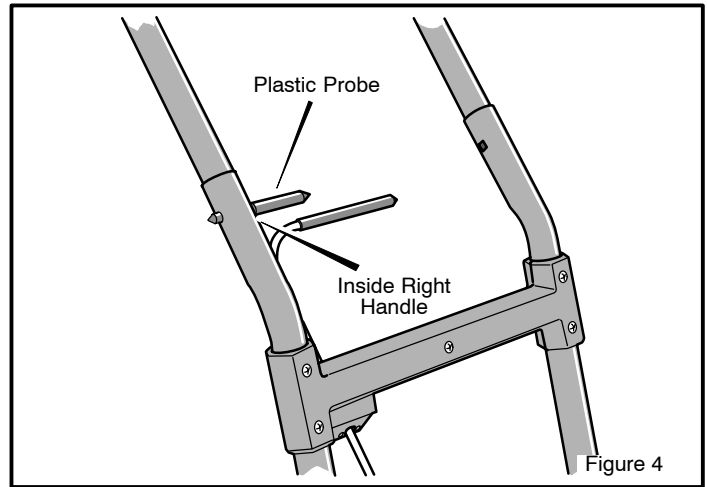
**NOTE: You may find it difficult to slide the upper handle assembly into the lower handle during initial assembly. This is due to the close tolerance fit between the upper and lower tubes, required to ensure a rigid assembly. If this problem arises proceed as follows:**

- Place a small amount of grease or oil on the inside of lower tubes. This will ensure a smooth and even fit when sliding upper tubes into lower tubes.
- Fold wire harness, and insert excess wire into lower right handle tube. Put as much of the wire harness as possible into lower tube.
- While holding lower grip firmly, carefully slide the right and left upper handle tubes into lower handle tubes until holes are aligned evenly on both sides. **DO NOT DAMAGE WIRE HARNESS.** Figure 3.
- Wipe off any excess grease or oil.



# ASSEMBLY

- Insert plastic probe supplied into right handle hole, from the inside of the handle. This will ensure wire harness will not be pinched or damaged while inserting carriage bolt. Figure 4.
- Insert carriage bolt from outside of right handle while removing plastic probe. Figure 5.
- Insert carriage bolt into left handle assembly.
- Assemble locknuts to carriage bolts and fasten securely with mini wrench supplied.
- The Snowthrower, although assembled at the factory, should be checked over for any loose or damaged parts prior to initial use.



# OPERATION

Know your snow blower and its controls. Be sure you (or any other operator) have read and understood the Operation Precautions listed on page 3 of this manual. This Snowthrower conforms to applicable North American safety standards.

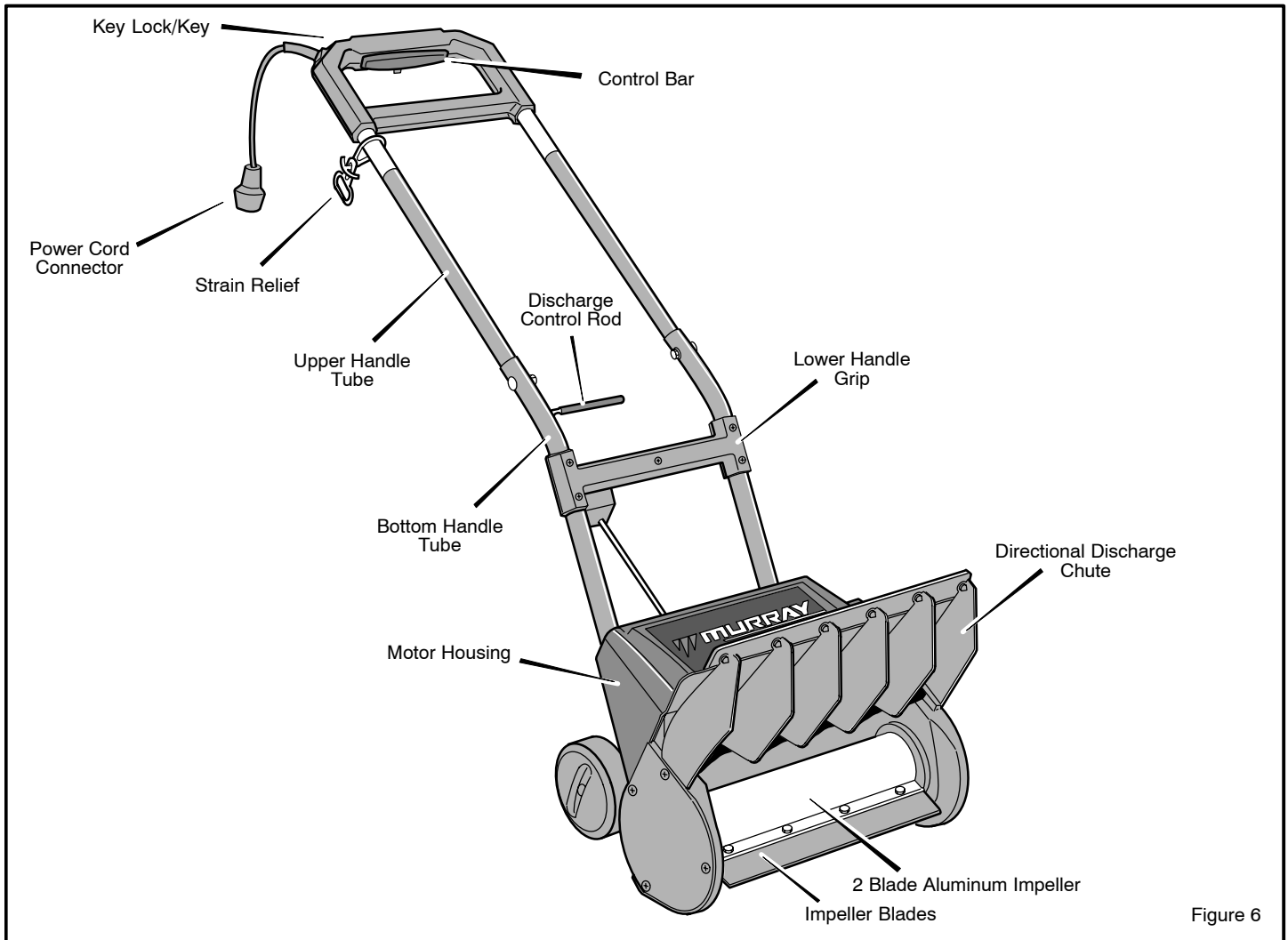


Figure 6



The Operation of any Snowthrower can result in foreign objects thrown into the eyes, which can result in severe eye damage. Always wear safety glasses or eye shields before starting your Snowthrower and while operating. We recommend Wide Vision Safety Mask for over the spectacles or standard safety glasses, available at your authorized service dealer.

## SNOW THROWER OPERATING CONTROLS

**KEYLOCK** - Key must be inserted and rotated for operation. Remove key when not in use.

**CONTROL BAR** - Squeeze control bar for operation, release control bar to stop operation.

**STRAIN RELIEF** - To attach extension cord so cord will not stress power cord connector.

**DISCHARGE CONTROL ROD** - Pull and rotate to direct snow discharge, release and the control rod will lock into position.

**IMPELLER BLADES** - When operating Snowthrower impeller blades spin to discharge snow. Replace blades when worn or damaged.

# OPERATION

## Operating Instructions



**WARNING:** The Snowthrower is designed to clear snow from level surfaces, such as driveways and sidewalks. Caution should be exercised while operating Snowthrower on steep sloping areas.

**NOTE:** Thoroughly inspect your Snowthrower for loose or damaged parts prior to starting any snow clearing.

### To Start

- To prevent accidental starting, remove key from control bar. Figure 7.
- Attach strain relief around upper handle tube as follows:
- Loop strain relief around handle tube.
- Fasten strain relief to handle tube by inserting one tab through first slot (Figure 8A), pulling until both tabs are through (Figure 8B).
- Loop extension cord in strain relief through second slot as illustrated in Figure 8C.
- Secure extension cord to strain relief by looping cord around tabs as shown in Figure 8D.
- This will prevent disconnection in case of accidental pull.
- Connect extension cord to connecting lead from control bar.

**NOTE:** Connect Snowthrower to a UL approved two conductor extension cord suitable for outdoor use. Use only with a wall receptacle installed in accordance with local codes and inspection authorities. REPLACE DAMAGED CORD IMMEDIATELY.

Use this chart to determine extension cord length and size.

Extension cord length	Wire size
25-100 Feet	16
100-150 Feet	14

Do not exceed 150 feet in extension cord length.

Insert key into back of control bar.

The Snowthrower will now operate when the control bar is squeezed. The Snowthrower will stop when the control bar is released. Figure 7.



**WARNING:** The motor is equipped with a protecting device that will disconnect power to the motor temporarily if the Snowthrower is overworked, and will automatically reset as the motor cools. If the motor stops, release control bar to avoid accidental starting when the protector resets.

Push Snowthrower forward at a rate of speed comfortable for the operator. Don't force the Snowthrower, it will perform better at a slower and constant speed. The depth and consistency of the snow will govern the speed of forward travel.

If you find it necessary to clear snow from gravel or irregular surfaces, push down on handle to raise impeller blades clear of loose or irregular surfaces.

In deep snow it may be necessary to make two or three passes over an area in order to clear it acceptably.



**WARNING:** Never direct snow discharge towards bystanders, glass enclosures or automobiles.

**NOTE:** Do not operate Snowthrower out of snow for extended periods of time.

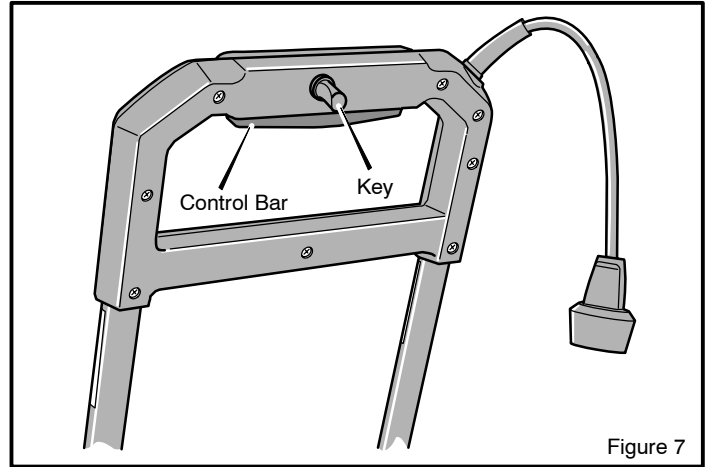


Figure 7

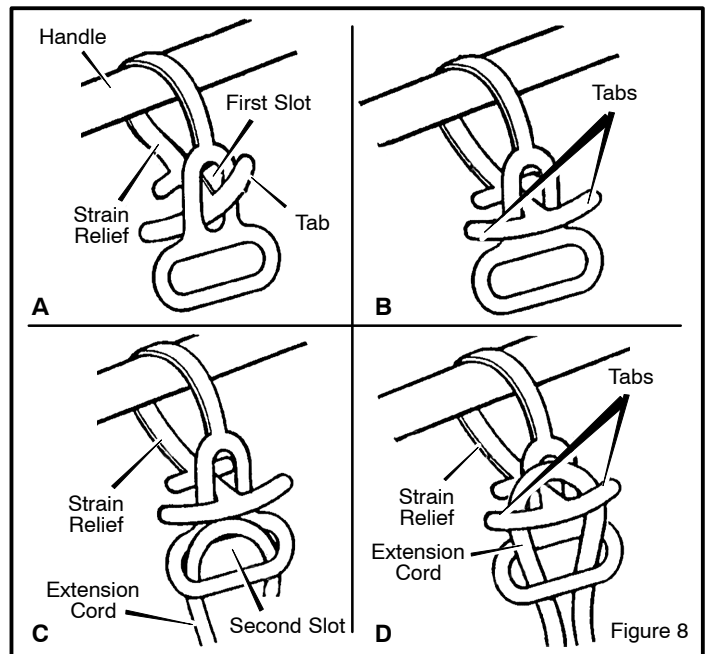


Figure 8

# OPERATION

## Discharge Direction Adjustment

- Snow may be discharged to the left, straight forward, or to the right.
- To change the direction proceed as follows:
- Pull control rod, to unlock control rod from present setting. Figure 9.
- Rotate control rod to the left, right or straight ahead depending on desired direction.
- Release control rod at desired setting, control rod will lock in full left, center and full right positions.

## Clearing Obstructed Impeller or Discharge Chute

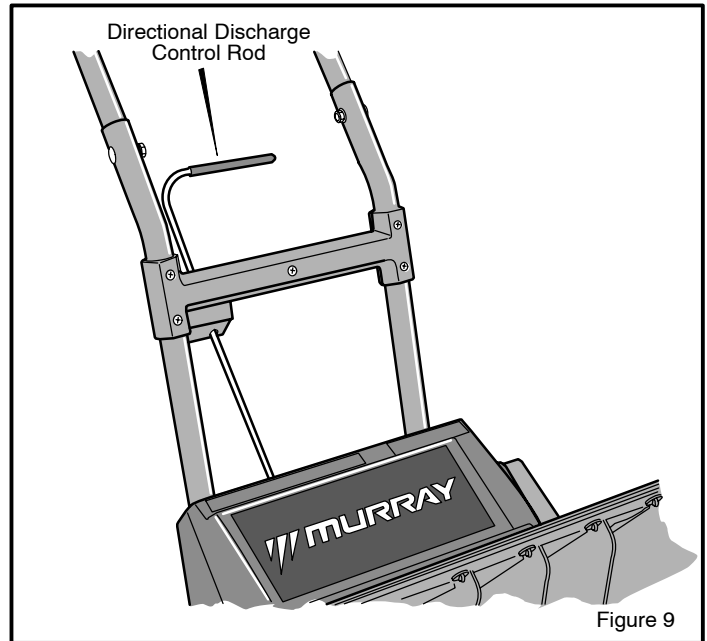


**WARNING: Remove key, and disconnect power prior to performing any service or repairs to the Snowthrower.**

- Use a wooden stick to clear impeller and/or discharge chute.
- Rotate impeller by hand a few turns, to make sure impeller spins freely.

**CAUTION: Failure of impeller to spin freely may result in motor damage.**

**CAUTION: Operation of snow mover in hand-held position is unsafe, except in accordance with special instructions for such use provided in operator's manual.**





# MAINTENANCE

## Lubrication

Your Snowthrower does not require any lubrication for the life of the Snowthrower.

## Replacing Impeller Blades

- Remove all 4 securing screws for each of the 2 impeller blades, and place aside. Figure 10.
- Remove worn or damaged impeller blades. Figure 10.
- Insert new impeller blades into slots in impeller and align holes. Figure 10.
- Replace the 8 screws removed and fasten securely.
- Discard old impeller blades.

## Drive Belt Replacement

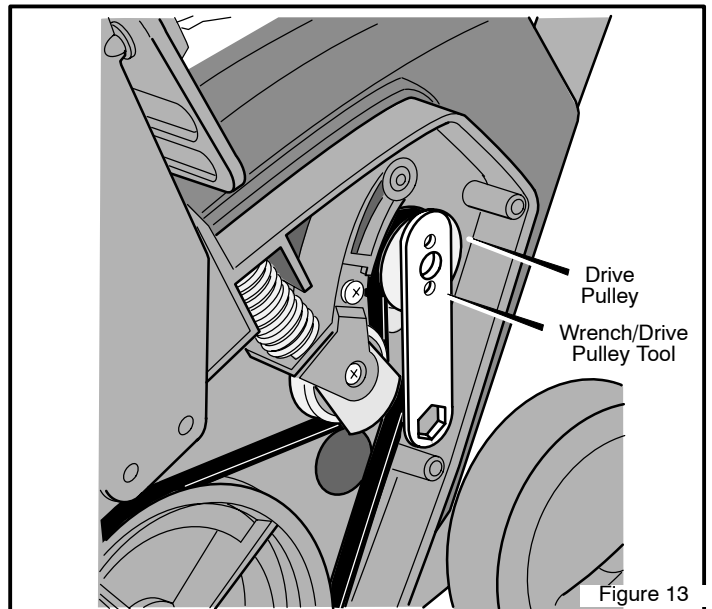
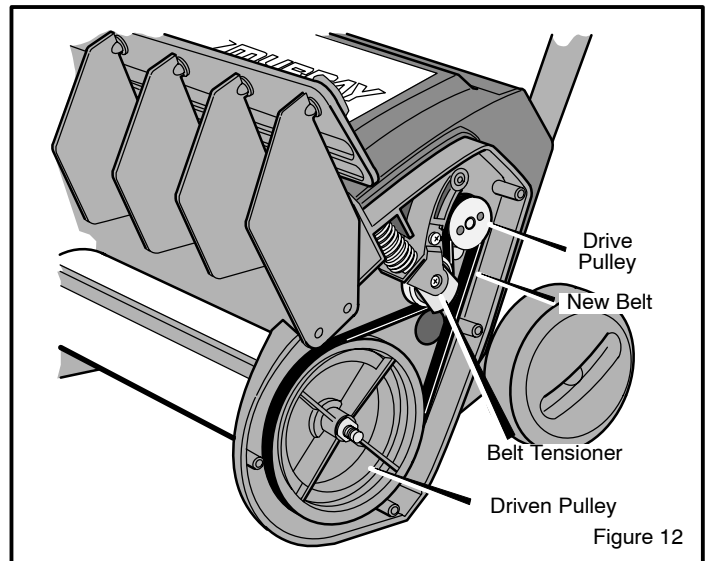
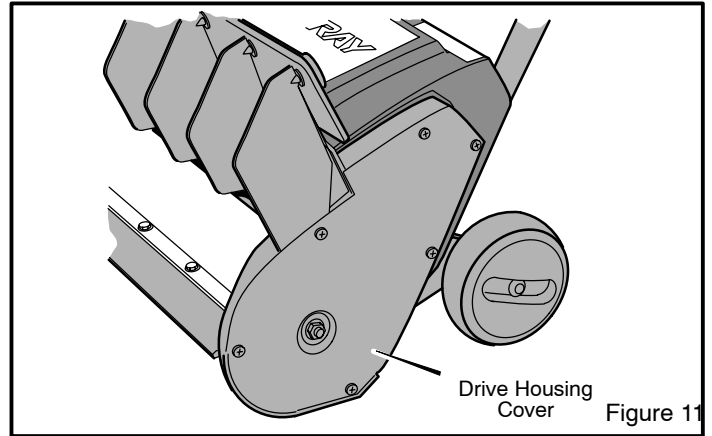
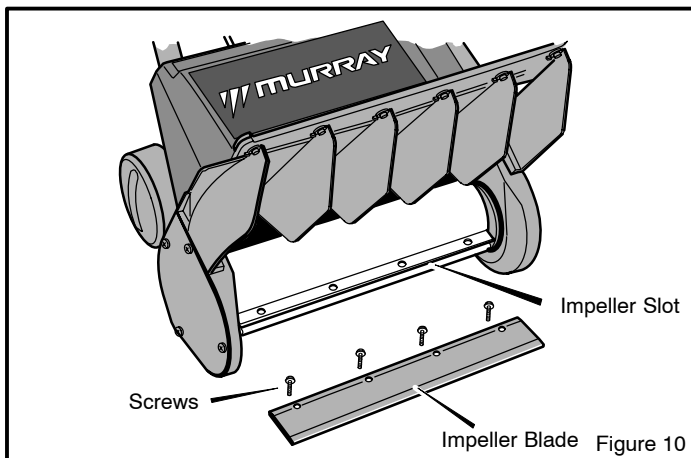
Should the drive belt require replacement proceed as follows:

- Remove the six screws and flanged locknut securing the drive housing cover, which is located on the left side of the Snowthrower. Figure 11.
- Remove cover and place cover and hardware aside.
- Remove broken or damaged belt.
- Loop new belt around drive pulley and driven pulley as shown. Figure 12.
- Be sure to engage belt tensioner as shown. Figure 12.
- Should it be necessary to remove drive pulley, proceed as follows:
  - Engage mini wrench/drive pulley tool to drive pulley as shown. Figure 13.
  - The mini wrench/drive pulley tool will prevent the drive pulley from rotating while unscrewing pulley.
  - Replace pulley with new pulley using the same mini wrench/drive pulley tool while securing new pulley.
  - Replace cover and secure with six screws and flanged locknut removed previously.

**NOTE: After completing any maintenance or repairs to the Snowthrower always inspect the Snowthrower thoroughly prior to using the unit.**

## Storage

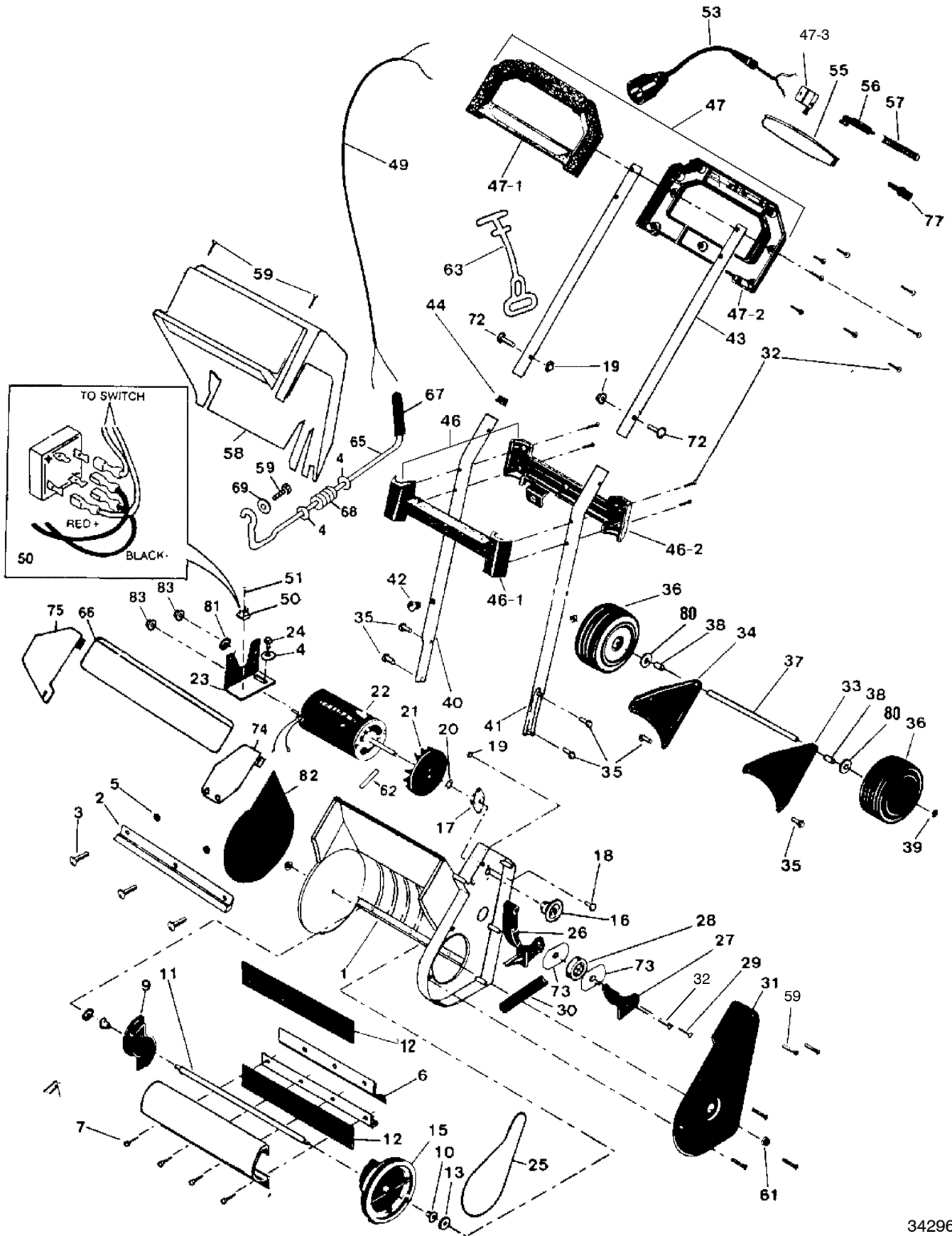
- Remove residue ice or snow from impeller by briefly running motor out of the snow.
- Disconnect from power source and remove key.
- Store Snowthrower indoors, in a dry, locked place, out of reach of children.
- The Snowthrower can be hung on a wall nail.





***Parts List*** - Model 615000x30NC

***Liste de pièces*** - Modèle 615000x30NC

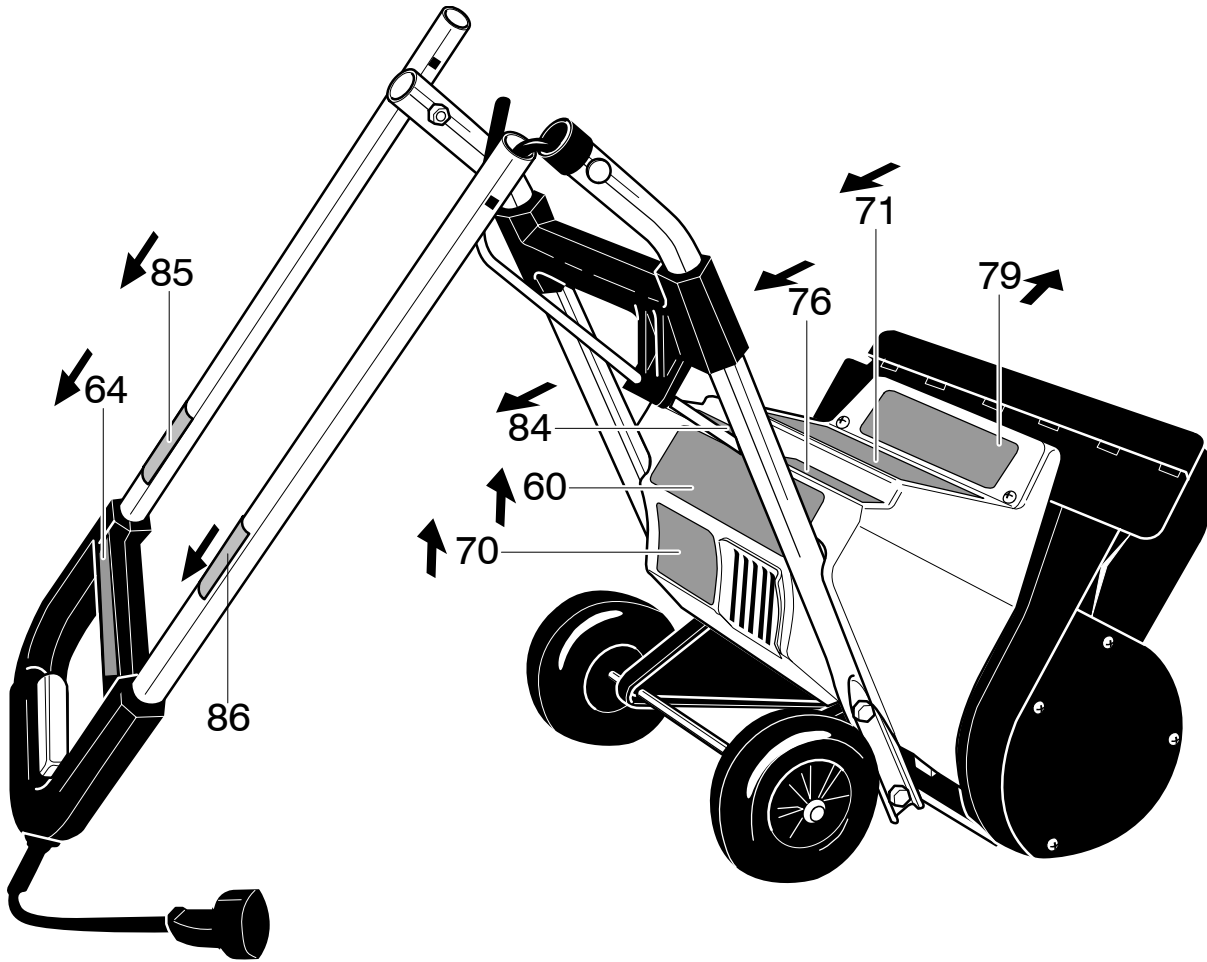


342966

# MODEL 615000x30NC

# REPAIR PARTS

Key No.	Part No.	Description	Key No.	Part No.	Description
1	583599	Housing, Scoop	41	578918E701	Handle, Left Lower
2	905040	Blade, Scraper	42	905017	Bushing
3	3809	Bolt	43	578906E701	Handle, Upper
4	71067	Washer, Flat	44	579527	Protector, Harness
5	73826	Nut, 1/4-20	45	903142	Harness, Protector
6	780169	Segment, Drum	46	577120	Set, Handle Assist
7	780212	Screw	46-1	- - - - -	Order Set
9	780605	Cap, Drum End	46-2	- - - - -	Order Set
10	904970	Bearing, Bronze	47	1501759	Set, Handle Grip
11	780211	Shaft, Paddle	47-1	- - - - -	Order Set
12	780238	Paddle, Auger	47-2	- - - - -	Order Set
13	996407	Washer, Flat	47-3	- - - - -	Order Set
15	780336	Pulley, Driven	49	905018	Harness, Wire
16	583688	Pulley, Drive	50	780062	Rectifier, Full Wave
17	904975	Bearing, Self Align	51	761327	Screw
18	313686	Screw, 1/4-20	53	905030	Connecting Lead
19	303008	Nut, 1/4-20	55	905027	Bar, Switch
20	577598	Ring, Retainer	56	905028	Lever, Switch
21	760256	Fan, Motor	57	905029	Spring, Switch
22	556949	Motor, 120V	58	905047	Cover, Motor
- -	3291	AMP Terminal .250 2-250	59	905032	Screw
- -	50802	AMP Terminal .250 Male 42	61	711634	Nut
- -	50803	Insulator	62	12569	Pin, Grooved
23	904988	Bracket, Motor Mount	63	10542	Strain Relief, Cord
24	904985	Screw, 1/4-14x0.75	65	905009	Rod, Discharge
25	37X134	Belt, Drive	66	905006	Slider, Vane
26	904993	Arm, Idler	67	905045	Grip, Hand Vinyl
27	904998	Bearing, Retainer Idler	68	583687	Spring, Actuator Rod
28	904997	Bearing, Ball	69	900373	Washer, Flat
29	26x303	Screw	72	782709	Bolt
30	904999	Spring Idler	73	904996	Retainer, Belt
31	780240E701	Cover, Left Drive Housing	74	905007	Deflector, Outer
32	1694	Screw	75	780068	Deflector, Inner
33	904976E701	Bracket, Left Wheel	77	780069	Key, Hi-Pro
34	904977E701	Bracket, Right Wheel	80	71071	Washer, Flat
35	310169	Screw	81	780325	Grommet
36	585556	Wheel, 15"	82	780206E701	Cover, Right Housing
37	904980	Axle	83	71056	Nut
38	585564	Spacer, Wheel	- -	906520	Wrench
39	3535	Nut, Push On Cap	--	F-041019C	Book, Instruction
40	578914E701	Handle, Right Lower			



342436

Key No.	Part No.	Description
60	761108	Decal, Safe Operation
64	905112	Decal, Start & Stop
70	- - - -	NOT SERVICEABLE
71	48x372	Decal, MURRAY TURBO
76	905111	Decal, Discharge Control
79	761068	Decal, Danger Foot
84	783027	Decal, Warning Cut-Out
85	762049	Decal, Motor Protection, English
86	762050	Decal, Motor Protection, French

## TABLE DES MATIÈRES

PIÈCES DE RECHANGE	12	MONTAGE	17
GARANTIE	15	FONCTIONNEMENT	19
MESURES DE SÉCURITÉ	16	ENTRETIEN ET REMISAGE	22

### GARANTIE LIMITEE DE UN ANO

Murray, Inc. garantie auprès de l'acheteur initial que cette machine est dépourvue de défauts matériels et de construction sous utilisation et entretien normaux pendant une durée de **un (1) ano** à partir de la date d'acquisition ; cette garantie cependant ne couvre pas les moteurs, accessoires (tels que moteurs électriques) et pièces d'usure normale (exceptées les pièces mentionnées ci-dessous) étant donné que les sociétés fabriquant ces articles offrent leurs propres garanties et fournissent des réparations par le biais de leurs centres de maintenance spécialisés agréés. Pour plus d'informations, se reporter aux garanties couvrant ces pièces particulières. Si vous ne savez pas si votre machine contient ou est équipée d'une ou plusieurs de ces pièces, adressez vous à votre revendeur avant l'acquisition. Sous réserve des modalités et conditions de cette garantie limitée, nous nous engageons à réparer ou remplacer, à notre discrétion et gratuitement auprès de l'acheteur initial, toute pièce couverte par cette garantie limitée jusqu'à l'expiration de la garantie applicable.

Les pièces d'usure normale comprennent les courroies d'entraînement, les fraises hélicoïdales, les goupilles de cisaillement, les pneumatiques, et les phares. Ces pièces sont garanties sans défaut matériel ou de construction dans l'état où elles ont été livrées avec le produit. Toute réclamation concernant la réparation ou le remplacement d'une pièce d'usure normale doit être effectuée dans les trente (30) jours suivant la date d'acquisition. Aucune réclamation ne sera honorée concernant des dommages provenant de la simple utilisation, d'un usage abusif, ou d'une mauvaise utilisation.

Cette **garantie Murray, Inc. de un (1) ano** constitue votre recours exclusif ; cependant, cette garantie est nulle ou ne s'applique pas aux machines ayant été modifiées, endommagées, fait l'objet d'une utilisation abusive, ou utilisées lors d'une location ou à des fins commerciales et/ ou professionnelles (autre que domestiques). Votre garantie ne couvre pas les réglages mécaniques mineurs non dus à des défauts matériels de fabrication. Consultez votre manuel d'utilisation pour obtenir une assistance concernant ces réglages.

Pour effectuer une réclamation sous la **garantie limitée de un (1) ano** Murray, Inc., retourner la machine, (ou, suivant notre autorisation préalable, la pièce défectueuse) accompagnée de votre preuve d'achat, auprès du Centre de maintenance agréé le plus proche de chez vous. Pour localiser le centre de maintenance le plus proche, contactez le Distributeur de pièces régional de votre région figurant sur la liste fournie avec votre machine, ou consultez les pages jaunes de votre annuaire téléphonique local. Si vous nous retournez la machine complète, nous réparerons celle-ci. Si nous autorisons seulement le retour de la pièce défectueuse, nous effectuerons soit la réparation de celle-ci, soit son remplacement. Cette **garantie limitée Murray, Inc. de un (1) ano** vous octroie des droits légaux spécifiques, et vous pouvez également vous prévaloir d'autres droits dont le contenu varie selon l'Etat où ils s'appliquent. **Cette garantie limitée est délivrée en lieu et place de toute garantie stipulée ou tacite, ceci incluant la garantie tacite de commerciabilité et la garantie de fonctionnalité pour une tâche définie.** Si vous souhaitez recevoir des informations supplémentaires concernant cette garantie écrite ou une assistance quant à l'obtention de services de réparation, adressez-vous à :

**MURRAY CANADA, INC.**  
Factory Customer Service  
1195 Courtneypark Drive East  
Mississauga, Ont. L5T-1R1  
1-800-661-6662

Nous vous remercions d'avoir fait l'acquisition de ce chasse-neige. En entretenant convenablement votre chasse-neige, il vous offrira des performances satisfaisantes, facilitant le travail. Ce livret d'entretien a été conçu pour vous fournir les renseignements nécessaires à l'utilisation et l'entretien adéquat de l'appareil. Pour bien comprendre l'usage du chasse-neige, lire attentivement ce livret. Avant de l'utiliser, se familiariser avec l'emplacement des commandes, les méthodes d'utilisation et l'entretien général.

SUIVRE LES MESURES DE SÉCURITÉ pour garantir une utilisation convenable du chasse-neige et éviter tout risque de blessures.

De nouveau, nous vous remercions d'avoir sélectionné ce chasse-neige qui facilitera le déneigement. Pour toute question au sujet du chasse-neige ou pour commander toute pièce ou tout service d'entretien, communiquez avec le concessionnaire autorisé. Il dispose de pièces de rechange et des connaissances techniques pour répondre à vos besoins particuliers.

F-041019C

### DONNÉES TECHNIQUES

<b>PUISSANCE NOMINALE :</b>	120 V.A.C. 6,5 AMPÈRES, 60 HZ
-----------------------------	----------------------------------

<b>LARGEUR DE DÉNEIGEMENT :</b>	15"
---------------------------------	-----

<b>HAUTEUR DE DÉNEIGEMENT :</b>	7"
---------------------------------	----



**AVERTISSEMENT :** le moteur est équipé d'une protection qui coupera temporairement l'alimentation électrique du moteur si le chasse-neige est en surchauffe, et qui s'annulera lorsque le moteur aura refroidi. Si le moteur s'arrête, relâcher la tige de commande, débrancher la rallonge et laisser le moteur refroidir pendant 5 minutes avant de poursuivre le travail de déneigement.

# ATTENTION

## CONSEILS DE SÉCURITÉ POUR CHASSE-NEIGE À MAIN LIRE CE MANUEL AVANT D'UTILISER CET ÉQUIPEMENT

Ce livret doit être entièrement lu avant de tenter de monter ou d'utiliser le chasse-neige.

### Avant l'utilisation

- **Lire et comprendre ce livret.** Familiarisez-vous avec les commandes et la bonne utilisation du chasse-neige.
- Faire attention de ne pas glisser ou tomber, particulièrement lors de l'utilisation en marche arrière.
- Savoir comment arrêter la machine rapidement.
- Éloigner toute personne de la zone de travail - **PARTICULIÈREMENT LES ENFANTS.**
- Ne jamais laisser jamais des enfants utiliser le chasse-neige. Ne jamais laisser quiconque n'ayant pas reçu les instructions appropriées se servir du chasse-neige.
- Enlever de la zone à déblayer tous pailleçons, planches, bâtons, fils métalliques qui risquent d'être projetés par la machine. Ne pas l'utiliser sur du gravier.
- Ne pas porter de vêtements amples et de bijoux pouvant se prendre dans les pièces mobiles.
- Ne pas utiliser la machine sans porter de vêtements d'hiver adéquats. Porter des chaussures qui amélioreront l'équilibre sur surfaces glissantes.
- Porter des bottes de caoutchouc imperméables lors de l'utilisation du chasse-neige.
- **AVERTISSEMENT : POUR ÉVITER TOUT CHOC ÉLECTRIQUE,** n'utiliser qu'avec une rallonge pour usage extérieur en bon état. Des rallonges sont en vente à votre centre de vente de services local.
- Examiner le chasse-neige. Si des pièces sont endommagées, le faire inspecter par votre dépositaire local avant de l'utiliser.
- Veiller à ce que la rotation de l'impulseur soit libre avant de brancher l'appareil.
- Si l'impulseur est gelé, faire fondre la glace le bloquant avant de se servir de l'appareil.
- N'utiliser qu'avec une prise électrique conforme aux exigences d'inspection des autorités locales et câblée pour usage extérieur 110/120 volts, 10/20 ampères.
- **NE PAS UTILISER UN CIRCUIT SURCHARGÉ.**
- Entretien du chasse-neige avec soin. Suivre les instructions contenues dans ce livret.
- Ne jamais tenter d'effectuer des réglages pendant que le moteur tourne (sauf sur recommandation particulières du fabricant).
- Pour éviter que le chasse-neige ne se débranche du cordon électrique lors de l'utilisation, suivre les instructions de fixation de la rallonge mentionnées dans ce livret.
- Éloigner toute personne de l'aire de travail.
- Pour éviter tout démarrage accidentel, ne jamais déplacer le chasse-neige en gardant le doigt appuyé sur l'interrupteur. Veiller à ce que l'interrupteur soit à l'arrêt avant de brancher l'appareil.
- Enlever la clé et débrancher l'appareil s'il doit être laissé sans surveillance.
- Débrancher la rallonge électrique immédiatement si elle est endommagée et la remplacer.



**Ce symbole identifie un important message de sécurité figurant sur la machine et dans les manuels. À sa rencontre, prendre conscience des risques de blessures et respecter attentivement le message qui suit.**

- **AVERTISSEMENT : MANIPULER LE CORDON ÉLECTRIQUE AVEC PRÉCAUTION** - Ne pas déplacer le chasse-neige par le cordon ni le débrancher en tirant brusquement dessus. Tenir le cordon à l'écart de chaleur, d'huile et d'objets coupants.
- Tenir les mains et les pieds à l'écart des pièces mobiles. Se tenir à l'écart de la goulotte d'éjection.
- Ne pas forcer le chasse-neige. Il offrira un meilleur rendement et sera plus sûr s'il fonctionne au rythme pour lequel il a été conçu.
- Ne pas avancer le chasse-neige trop loin de l'endroit d'appui des pieds. Garder constamment un bon appui sur le sol.
- Si le chasse-neige heurte un corps étranger:
  - a. Arrêter immédiatement.
  - b. Débrancher l'appareil de la prise de courant.
  - c. Repérer toute dégradation de l'appareil.
  - d. Effectuer les réparations nécessaires avant de remettre l'appareil en marche.
- N'utiliser le chasse-neige qu'avec un éclairage adéquat, jamais de nuit.
- Votre chasse-neige est conforme aux normes de sécurité nord-américaines en vigueur. Écarter enfants et animaux domestiques de la zone de déneigement.
- Ne jamais éjecter la neige sur la voie publique ou vers la circulation.
- Ne jamais utiliser le chasse-neige sur un toit.
- Ne jamais utiliser les chasse-neige près de puits de fenêtres, de surplombs, etc.
- Toujours garder un bon équilibre et maintenir une bonne prise sur le guidon.
- Marcher et ne pas courir.
- Débrancher le cordon d'alimentation et enlever la clé lorsque le chasse-neige est laissé sans surveillance, lors de tout entretien ou nettoyage.

### Préparation pour le remisage

- Faire tourner l'impulseur à vide pour enlever tout dépôt de neige et de glace.
- Débrancher l'appareil et enlever la clé.
- Remiser le chasse-neige à l'intérieur, dans un endroit verrouillé et sec, hors de portée des enfants.

### Suivre les conseils de sécurité indiqués par les autocollants sur le boîtier du moteur.

- L'utilisation de tout autre accessoire augmente le risque de blessures pour l'utilisateur.
- Lors de réparations, n'utiliser que des pièces de rechange d'origine.
- Pour effectuer le déneigement en toute sécurité, n'utiliser que des cordons électriques CONTINUS, en bon état, sans coupures ni craquelures, sans épissures enrobées de ruban adhésif et sans prises par lesquelles l'humidité pourrait pénétrer.



# ASSEMBLAGE

Votre chasse-neige a été entièrement monté en usine, à l'exception du manche.

## Carton d'expédition

Sortir soigneusement la machine du carton. S'assurer que le sac de pièces et tous les éléments ont été retirés du carton avant de jeter celui-ci.

Le carton d'expédition contient les éléments suivants :

- Boîtier du chasse-neige avec partie inférieure du manche
- Partie supérieure du manche fixée à la partie inférieure par le faisceau de câblage.
- Clé, en arrière de la barre de commande.
- Sac de plastique contenant les pièces suivantes (Figure 1):
- –Carte d'enregistrement de la garantie
- Livret d'entretien
- Clé de secours
- Cheville en plastique
- Petite clé/outil pour poulie motrice
- (2) boulons mécaniques 1/4 - 20 x 1-1/4
- (2) écrous de blocage 1/4 - 20
- (1) pièce de plastique

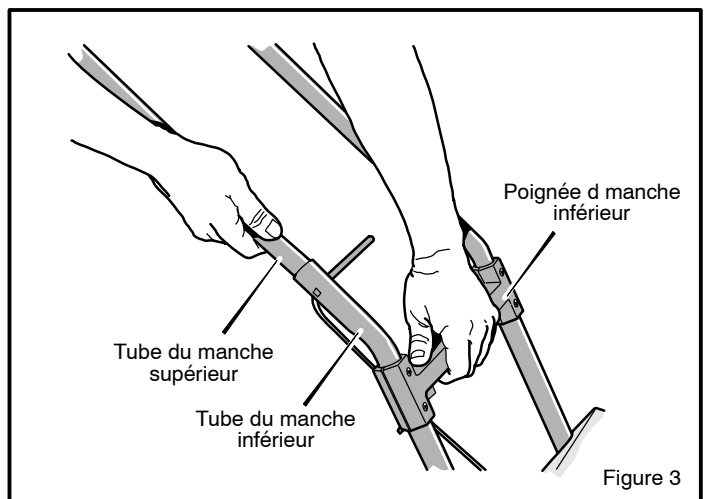
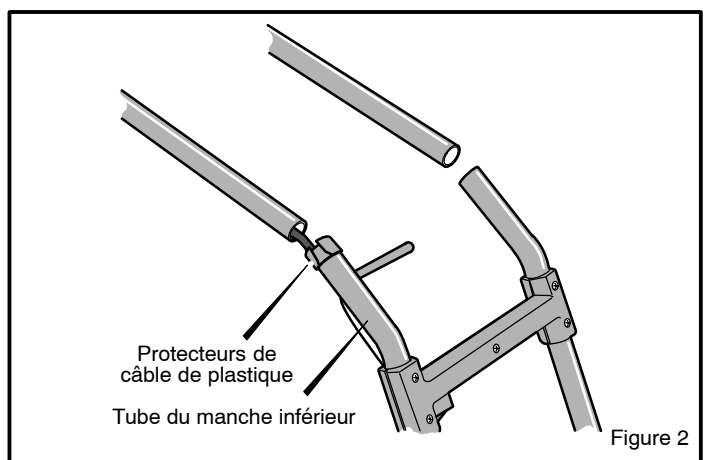
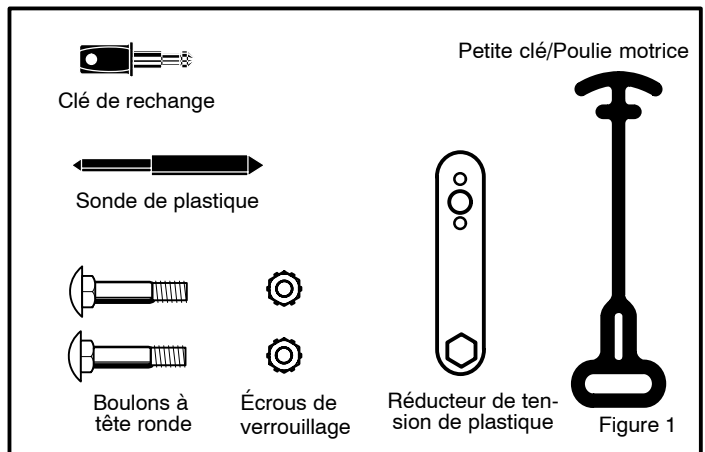
## Montage

Enlever et jeter le protecteur des fils électriques inséré dans la partie inférieure du manche. Figure 2.

**REMARQUE : S'assurer de ne pas endommager le faisceau lors de l'assemblage du chasse-neige.**

**REMARQUE : Dans certains cas, il peut être difficile d'assembler le manche supérieur dans le manche inférieur lors du montage initial du chasse-neige. Ceci est dû à la tolérance étroite entre les tubes du manche supérieur et du manche inférieur, laquelle est nécessaire pour un montage rigide. Dans ce cas, procéder comme suit:**

- Placer une légère quantité de graisse ou d'huile à l'intérieur du tube inférieur. Ceci permettra aux tubes supérieurs de mieux s'insérer dans les tubes inférieurs.
- Replier le faisceau et insérer la longueur excédentaire des fils dans le tube inférieur droit. En insérer le plus possible dans le tube inférieur.
- Tout en maintenant fermement la poignée inférieure, pousser soigneusement les tubes droit et gauche du manche supérieur dans les tubes du manche inférieur jusqu'à ce que les trous des boulons s'alignent sur les deux côtés. **NE PAS ENDOMMAGER LE FAISCEAU DE CÂBLES.** Figure 3.
- Essuyer tout excès de graisse ou d'huile.



# ASSEMBLAGE

- Insérer la cheville de plastique fournie dans le trou de la poignée de droite, de l'intérieur. Ceci évitera que le faisceau de câbles soit pincé ou endommagé lors de l'insertion du boulon à tête ronde. Figure 4.
- Insérer le boulon à tête ronde de l'extérieur de la poignée de droite tout en enlevant la cheville en plastique. Figure 5.
- Insérer le boulon à tête ronde dans le tube du manche gauche.
- Monter les écrous de blocage sur les boulons à tête ronde et serrer fermement avec la petite clé fournie.
- Bien que le chasse-neige ait été assemblé en usine, il doit être examiné pour détecter toute pièce desserrée ou endommagée avant la première utilisation.

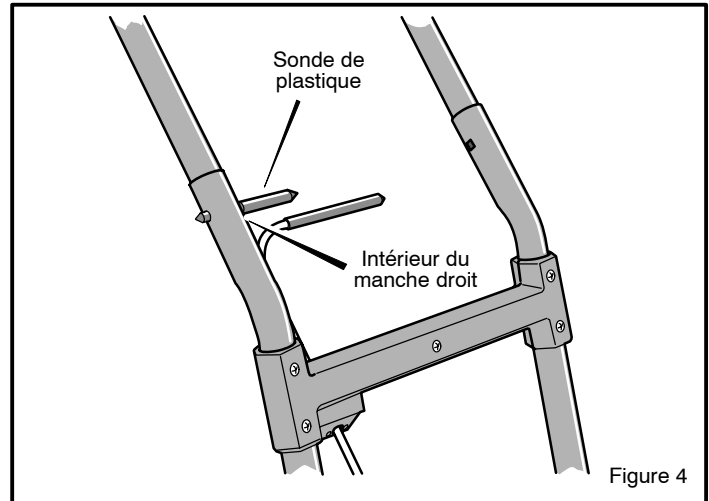


Figure 4

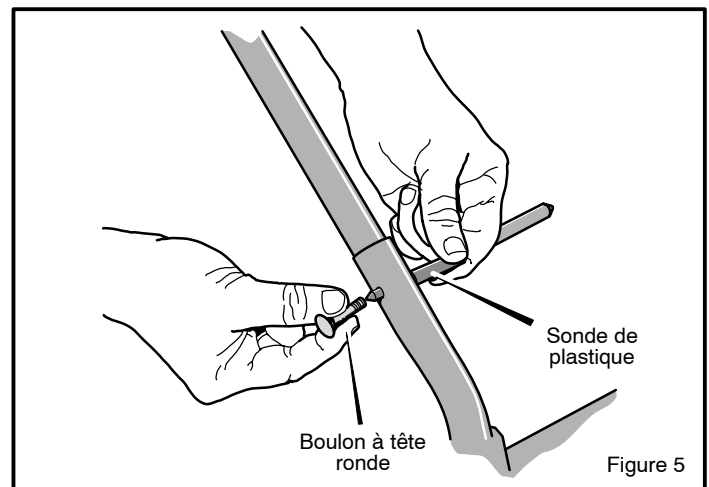
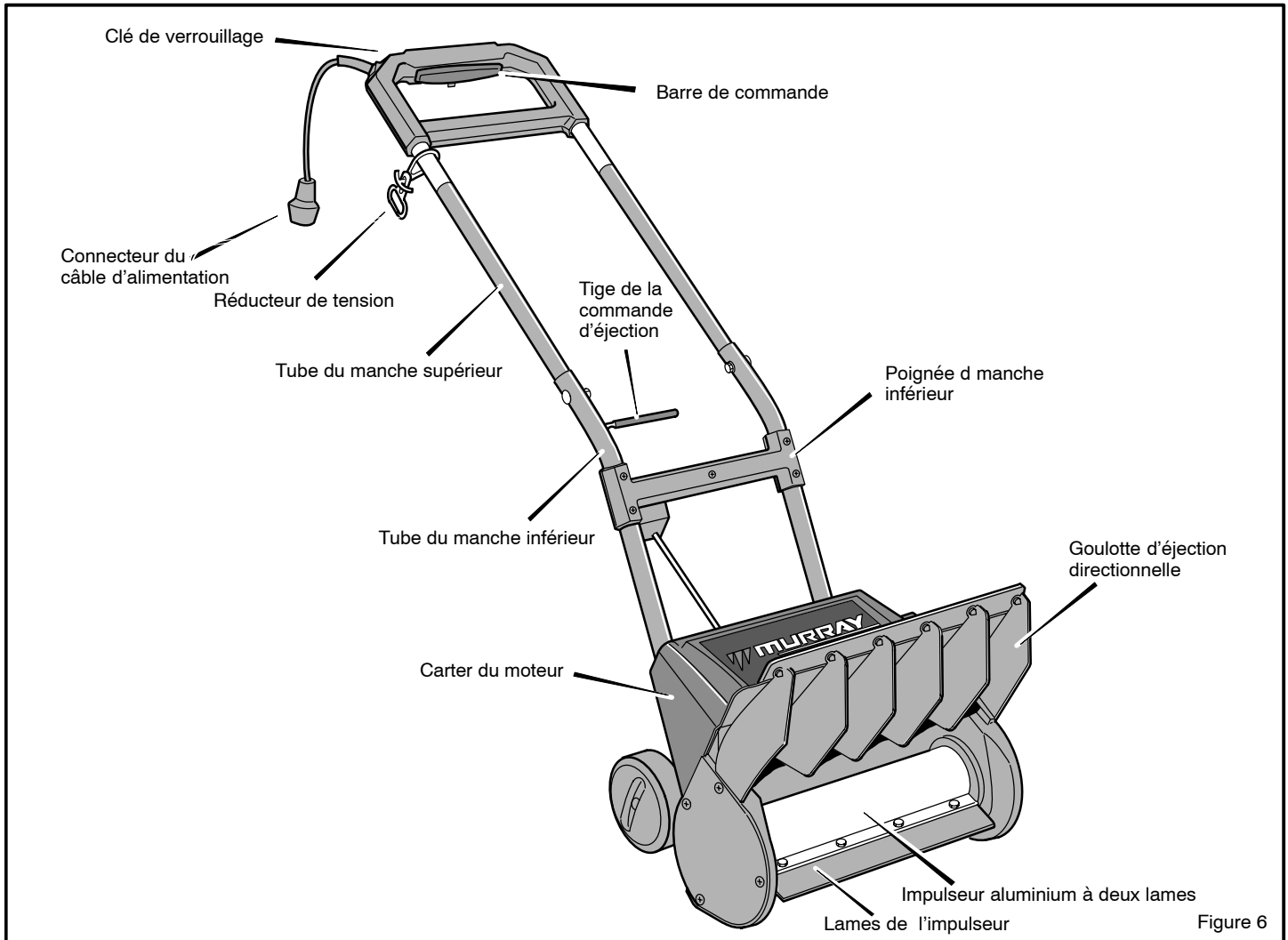


Figure 5

# FONCTIONNEMENT

Apprendre à connaître le chasse-neige et ses commandes. Lire et bien comprendre les conseils de sécurité donnés en page 3. Ne pas avancer le chasse-neige trop loin de l'appui des pieds. Garder constamment un bon appui sur le sol.



L'utilisation d'un chasse-neige peut provoquer la projection de corps étrangers dans les yeux et entraîner des blessures. Toujours porter des lunettes de sécurité ou une visière pour travailler avec le chasse-neige. Nous recommandons l'usage d'une visière de sécurité " Wide Vision " s'adaptant sur les lunettes ou l'usage de lunettes de sécurité standard, en vente chez votre concessionnaire agréé.

## COMMANDES DU CHASSE-NEIGE

**VERROUILLAGE À CLÉ** - La clé doit être insérée et tournée pour le fonctionnement. Enlever la clé lorsque le chasse-neige n'est pas utilisé.

**BARRE DE COMMANDE** - Serrer la barre de commande pour mettre le chasse-neige en marche, la relâcher pour l'arrêter.

**RÉDUCTEUR DE TENSION** - Pour maintenir le cordon électrique et éviter d'endommager le connecteur.

F-041019C

**TIGE DE COMMANDE D'ORIENTATION DE LA GOULOTTE D'ÉJECTION** - Tirer sur la tige de commande et la tourner pour diriger l'éjection de la neige. La relâcher pour la verrouiller en position.

**PALES DE L'IMPULSEUR** - Lors du fonctionnement du chasse-neige, les pales de l'impulseur tournent pour éjecter la neige. Remplacer les pales lorsqu'elles sont usées ou endommagées.

# FONCTIONNEMENT

## Fonctionnement



**AVERTISSEMENT:** Le chasse-neige doit être utilisé sur des surfaces nivelées telles que trottoirs et allées. Des précautions particulières doivent être prises lors de l'utilisation sur des surfaces inclinées.

**REMARQUE :** Vérifier le serrage de toutes les pièces et détecter toute dégradation de la machine avant de commencer tout travail de déneigement.

### Mise en marche

- Pour éviter toute mise en marche accidentelle, enlever la clé de la barre de commande, Figure 7.
- Fixer la pièce de plastique au tube du guidon comme suit:
- Placer la pièce de plastique autour du tube du guidon.
- Fixer le réducteur de tension au tube du guidon en insérant l'une des pattes dans la première fente (Figure 8A) et en tirant jusqu'à ce que les deux pattes soient insérées dans la fente (Figure 8B).
- Faire passer le cordon formant une boucle dans la seconde fente du réducteur de tension, comme le montre la Figure 8C.
- Fixer le cordon sur le réducteur de tension en plaçant la boucle autour des pattes, voir Figure 8D.
- Ceci évitera au cordon de se débrancher s'il est accidentellement tiré.
- Brancher le cordon électrique au cordon de la barre de commande.

**REMARQUE :** Raccorder le chasse-neige à une rallonge électrique à deux conducteurs, homologuée par l'UL pour usage à l'extérieur. N'utiliser qu'avec une prise murale montée conformément aux codes locaux. REMPLACER IMMEDIATEMENT TOUT CORDON ENDOMMAGÉ.

Utiliser ce Patteleau pour déterminer la longueur de la rallonge électrique et son calibre.

Longueur de la rallonge électrique	Calibre du fil
25-100 pieds	16
100-150 pieds	14

Ne pas excéder 150 pieds de longueur de rallonge électrique. Insérer la clé à l'arrière de la barre de commande.

Le chasse-neige se met en marche lorsque la barre de commande est serrée. Il s'arrête lorsque la barre de commande est relâchée. Figure 7.



**AVERTISSEMENT:** temporairement le courant en cas de surcharge du chasse-neige et réPattellira automatiquement le courant après le refroidissement du moteur. Si le moteur s'arrête, relâcher la barre de commande pour éviter toute mise en marche accidentelle à la désactivation du dispositif de protection.

Pousser le chasse-neige vers l'avant à une vitesse conforPattele pour l'utilisateur. Ne pas forcer le chasse-neige, il offrira un meilleur rendement à une vitesse plus lente et constante. La profondeur et la consistance de la neige détermineront la vitesse de déplacement.

S'il est nécessaire de déneiger des surfaces irrégulières ou revêtues de gravier, appuyer sur le guidon pour relever les lames de l'impulseur et éviter qu'elles ne heurtent des surfaces irrégulières ou du gravier.

En neige profonde, il peut être nécessaire de passer deux ou trois fous sur le même endroit pour le dégager entièrement.



**AVERTISSEMENT:** Ne jamais diriger la goulotte d'éjection vers des personnes, des surfaces vitrées ou des automobiles.

**REMARQUE :** Ne pas faire fonctionner le chasse-neige à vide pendant des périodes prolongées.

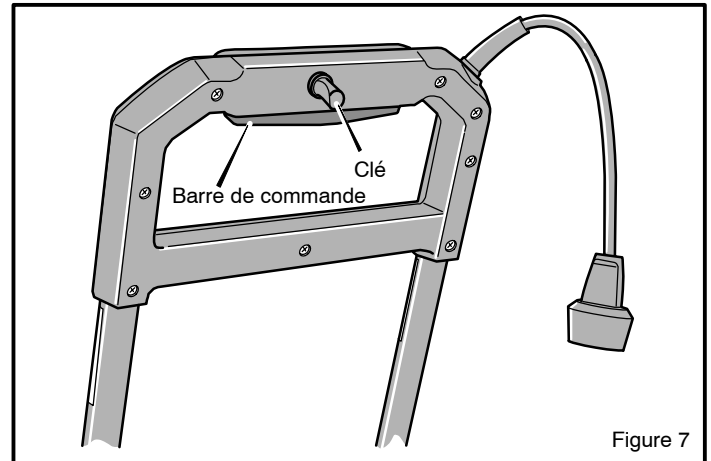


Figure 7

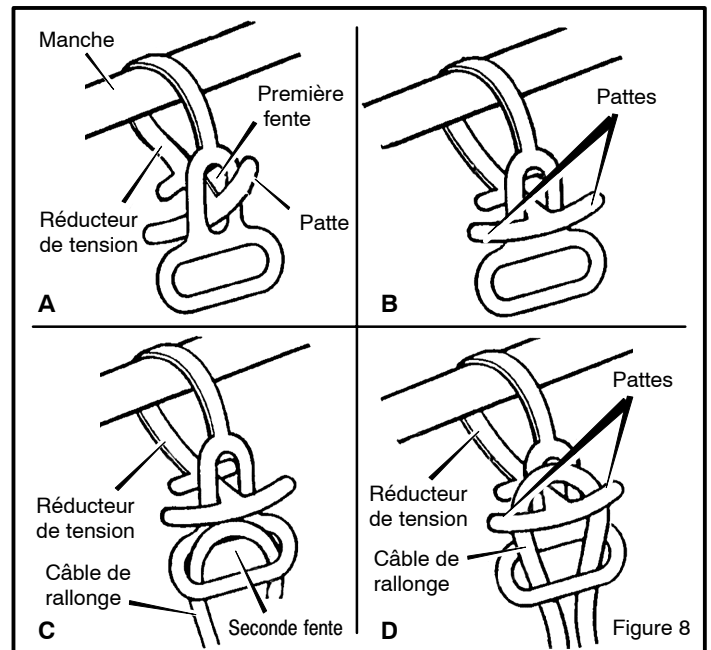


Figure 8

# FONCTIONNEMENT

## Réglage de l'orientation de la goulotte d'éjection

- La neige peut être éjectée vers la gauche, en avant ou vers la droite.
- Pour changer la direction d'éjection, procéder comme suit :
- Tirer sur la tige de commande pour la dégager de la position présente. Figure 9.
- Tourner la tige de commande vers la droite, vers la gauche ou au centre, selon la position voulue.
- Relâcher la tige de commande à la position voulue, elle se bloquera en place, à droite, à gauche ou au centre.

## Nettoyage de l'impulseur ou de la goulotte d'éjection gelée ou obstruée

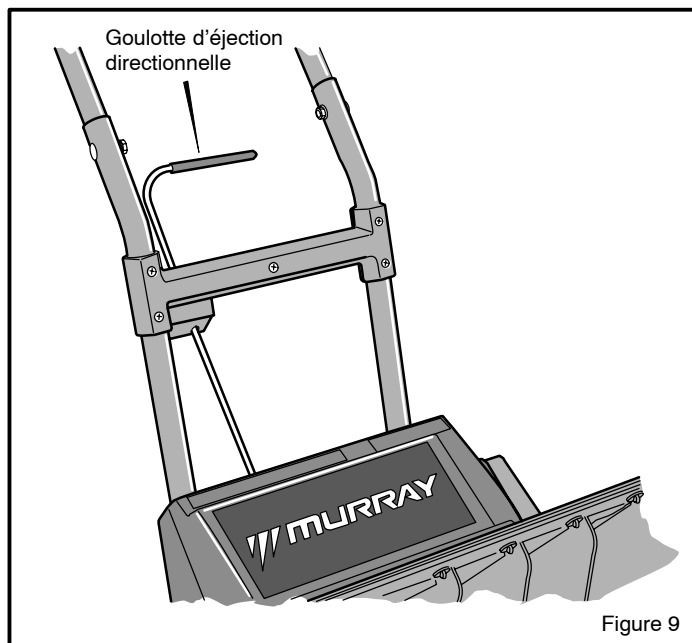


**AVERTISSEMENT** : Enlever la clé et débrancher le cordon électrique avant d'effectuer tout nettoyage ou entretien sur le chasse-neige.

- Utiliser un morceau de bois pour dégager la turbine ou la goulotte d'éjection.
- Faire tourner la turbine à la main pour s'assurer qu'elle tourne librement.

**ATTENTION** : Si la turbine ne tourne pas librement, le moteur peut être endommagé.

**ATTENTION** : L'utilisation de ce chasse-neige position relevée peut être dangereuse, sauf dans les cas prévus dans ce manuel.



# FONCTIONNEMENT

## Lubrification

Votre chasse-neige ne nécessite aucune lubrification durant toute sa durée de vie.

## Remplacement des lames de l'impulseur

- Déposer les 4 vis de chacune des 2 lames de l'impulseur et les mettre de côté Figure 10.
- Déposer les lames usées ou endommagées. Figure 10.
- Insérer les nouvelles lames de l'impulseur dans les fentes de l'impulseur et aligner les trous. Figure 10.
- Replacer les 8 vis déposées et les serrer fermement.
- Jeter les lames d'impulseur usagées.

## Remplacement de la courroie d'entraînement

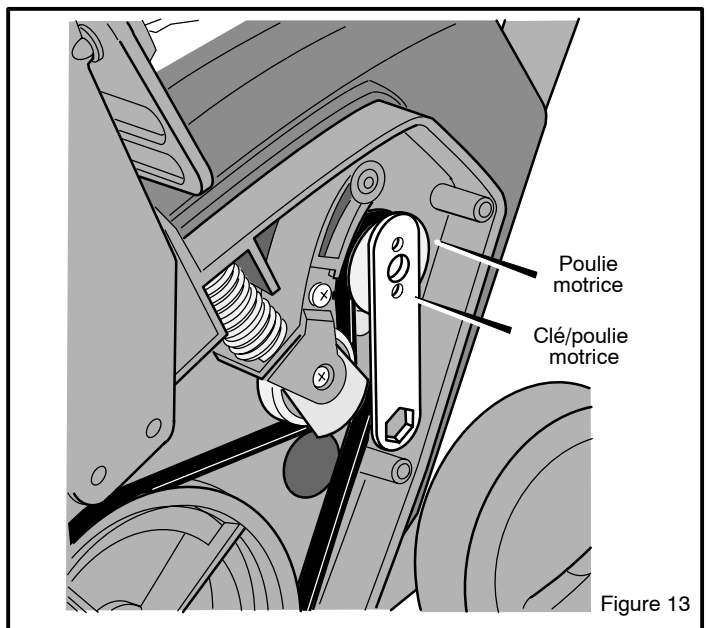
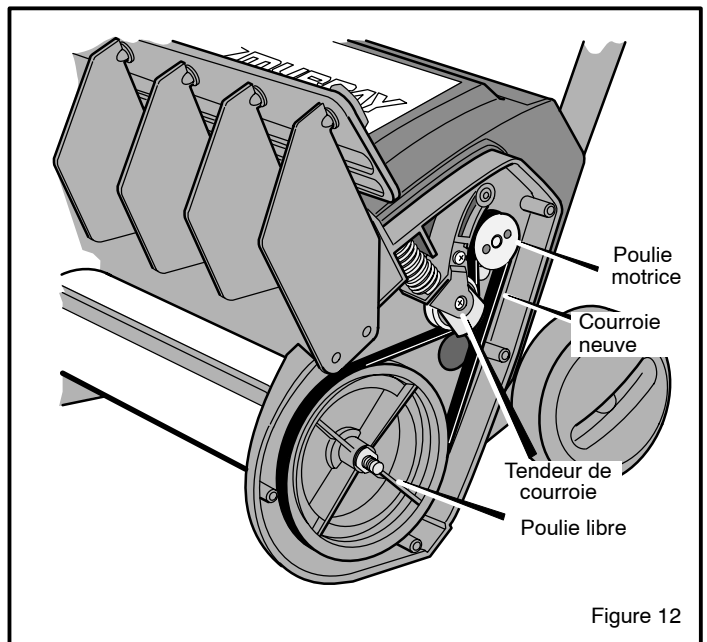
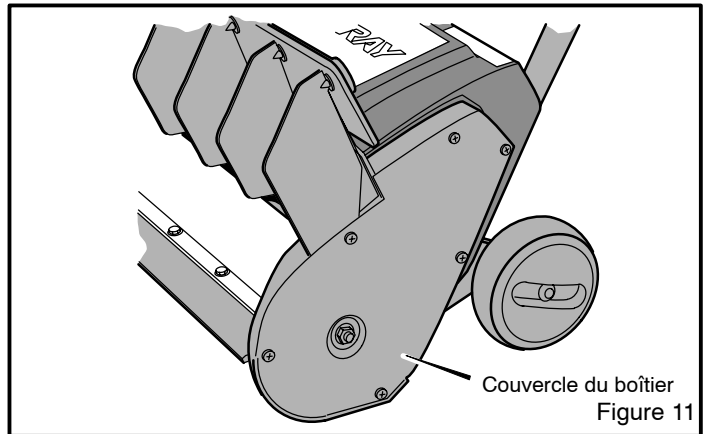
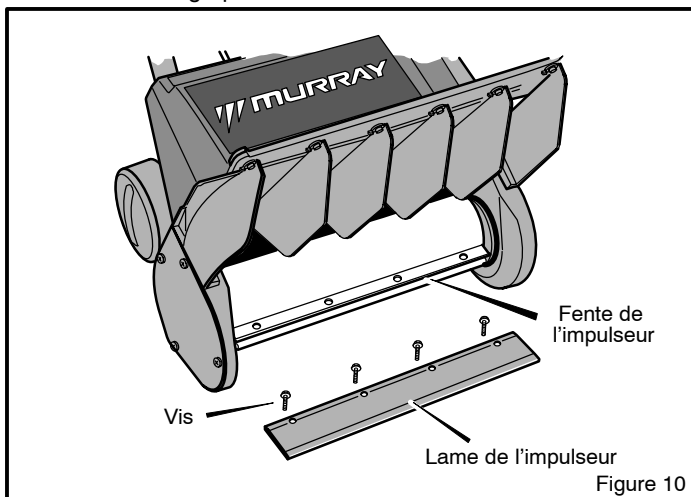
S'il est nécessaire de remplacer la courroie d'entraînement, procéder comme suit:

- Déposer les six vis et l'écrou à embase maintenant le couvercle du boîtier, du côté gauche du chasse-neige. Figure 11.
- Déposer le couvercle et le mettre de côté avec les pièces de fixation.
- Déposer la courroie cassée ou endommagée.
- Monter une nouvelle courroie autour de la poulie motrice et la poulie libre, comme le montre l'illustration. Figure 12.
- Veiller à bien engager le tendeur de courroie comme le montre l'illustration. Figure 12.
- S'il est nécessaire de déposer la poulie motrice, procéder comme suit:
  - Placer la petite clé sur la poulie motrice, comme le montre l'illustration. Figure 13.
  - La petite clé permet de bloquer la poulie motrice pendant son dévissage.
- Remplacer la poulie par une neuve, en utilisant la même clé pour la maintenir lors du montage.
- Remonter le couvercle avec les six vis et l'écrou à embase déposés précédemment.

**REMARQUE : Après avoir effectué tout travail d'entretien ou de réparation sur le chasse-neige, l'examiner soigneusement avant de l'utiliser.**

## Remisage

- Enlever tout résidu de glace ou de neige sur l'impulseur en le faisant tourner à vide.
- Débrancher le cordon électrique et enlever la clé.
- Ranger le chasse-neige à l'intérieur dans un endroit sec et verrouillé, hors de portée des enfants.
- Le chasse-neige peut être accroché à un clou dans le mur.





# MURRAY, INC. LAWN MOWER CENTRAL PARTS DISTRIBUTORS

## DISTRIBUTEURS RÉGIONAUX DE PIÈCES MURRAY, INC.

### **BILLIOU'S, INC.**

1343 South Main St.  
Porterville, CA. 93257  
(559) 784-4102 1-877-245-5468  
FAX 1-800-226-7337  
www.billious.com  
**Arizona, California, Hawaii, Nevada**

### **BROWN & WISER, INC.**

9991 S.W. Avery Street  
Tualatin, OR. 97062  
(503) 692-0330 1-800-882-4782  
FAX (503) 691-2041  
**Alaska, Idaho** (counties Ada, Adams, Benewah, Boise, Bonner, Boundry, Canyon, Clearwater, Elmore, Gem, Idaho, Kooten, Latah, Lewis, Nez Perce, Owyee, Payette, Ravalli, Shoshone, Valley, Washington), **Montana** (counties Flathead, Lake, Lincoln, Mineral, Missoulo, Ravalli, Sanders), **Oregon, Washington**

### **CPT CANADA POWER TECHNOLOGY LIMITED**

**Mississauga**  
161 Watline Avenue  
Mississauga, Ontario  
L4Z-1P2  
(905) 890-6900 1-800-861-9559

### **Edmonton**

101-10411-178th Street  
Edmonton, Alberta  
T5S 1R5  
(780) 453-5791 1-800-861-9559

### **Ville St-Laurent**

234 Migneron Street  
Ville St-Laurent, Quebec  
H4T 1Y7  
(514) 731-3559 1-800-861-9559  
**Canada**

### **FRANK EDWARDS CO.**

3626 Parkway Blvd.  
West Valley, UT 84120  
1-800-318-0201  
FAX 1-801-736-8067  
**Colorado, Idaho** (counties Bannock Bearlake, Bingham, Blaine, Booneville, Butte, Camas, Caribou, Cassia, Custer, Franklin, Fremont, Gooding, Jefferson, Jerome, Lemhi, Lincoln, Madison, Minidoka, Oneida, Power, Teton, Twin Falls) **Montana** (all counties except Flathead, Lake, Lincoln, Mineral, Missoulo, Ravalli, and Sanders), **Utah, Wyoming**

### **GARDNER, INC.**

3641 Interchange Road  
Columbus, OH. 43204  
1-800-848-8946  
FAX 1-800-626-4735  
**Alabama, Arkansas, Connecticut, Delaware, District of Columbia, Florida, Georgia, Illinois, Indiana, Kentucky, Louisiana, Maine, Maryland, Massachusetts, Michigan** (except upper Peninsula), **Mississippi, New Hampshire, New Jersey, New York, North Carolina, Ohio, Pennsylvania, Rhode Island, South Carolina, Tennessee, Vermont, Virginia, West Virginia**

### **Puerto Rico**

### **GULF COAST ENGINE, INC.**

4202 Russell Dr.  
Corpus Christi, TX. 78408  
1-800-825-6999  
FAX 1-888-888-7036  
**New Mexico, Oklahoma, Texas, Mexico**

### **OSCAR WILSON ENGINE & PARTS, INC. ENGINE, INC.**

826 Lone Star Drive.  
O'Fallon, MO 63366  
1-800-873-6722 or 1-634-978-1313  
FAX: 1-800-873-6720  
**Arkansas, Iowa, Kansas, Missouri, Nebraska**

### **WISCONSIN MAGNETO, INC.**

1000 W. Donges Bay Road  
Suite 100  
Mequon, WI 53092-5920  
1-800-733-7388  
FAX 1-800-733-0127  
**Michigan** (upper Peninsula), **Minnesota, North & South Dakota, Wisconsin**



## Free Manuals Download Website

<http://myh66.com>

<http://usermanuals.us>

<http://www.somanuals.com>

<http://www.4manuals.cc>

<http://www.manual-lib.com>

<http://www.404manual.com>

<http://www.luxmanual.com>

<http://aubethermostatmanual.com>

Golf course search by state

<http://golfingnear.com>

Email search by domain

<http://emailbydomain.com>

Auto manuals search

<http://auto.somanuals.com>

TV manuals search

<http://tv.somanuals.com>