

These log sets can be installed in vented or unvented applications. See installation details for the particular application that applies.

INSTALLER: THESE INSTRUCTIONS MUST BE CONVEYED TO AND REMAIN WITH THE HOMEOWNER.



INSTALLATION AND OPERATION INSTRUCTIONS

CERTIFIED UNDER: ANSI Z21.11.2B-2004 GAS FIRED ROOM HEATER : VOLUME II, UNVENTED ROOM HEATERS AND
ANSI Z21.60-2002 / CSA 2.26-2002 DECORATIVE GAS APPLIANCES FOR INSTALLATION IN SOLID-FUEL BURNING APPLIANCES

GVFL18N
NATURAL GAS

GVFL18P
PROPANE



GVFL24N
NATURAL GAS

GVFL24P
PROPANE



GVFL30N
NATURAL GAS

GVFL30P
PROPANE



WARNING

If the information in this manual is not followed exactly, a fire or explosion may result causing property damage, personal injury or loss of life.

Do not store or use gasoline or other flammable vapors and liquids in the vicinity of this or any other appliance.

WHAT TO DO IF YOU SMELL GAS

- Do not try to light any appliance.
- Do not touch any electrical switch; do not use any phone in your building.
- Immediately call the gas supplier from a neighbour's phone. Follow the gas supplier's instructions.
- If you cannot reach your gas supplier, call the fire department.

Installation and service must be performed by a qualified installer, service agency or the gas supplier.

If this unit is used as an unvented gas-fired heater, it uses air (oxygen) from the room in which it is installed. Provisions for adequate combustion and ventilation air must be provided. Refer to "Installing in an unvented application" section in this manual.

IMPORTANT: Read these instructions carefully before trying to operate this vent-free gas heater.



Wolf Steel Ltd., 24 Napoleon Rd., Barrie, ON L4M 4Y8 Canada • (705)721-1212 • fax(705)722-6031

www.napoleonfireplaces.com • ask@napoleon.on.ca

TABLE OF CONTENTS

2	Warnings	7	Installing In A Vented Application
3	Warranty		Damper Stop Installation
4-5	General Instructions	8-9	Operating / Maintenance
	General Information		Operating Instructions
	Maintenance and Cleaning		Lighting Instructions
	Air Shutter		ODS Pilot Cleaning
	Minimum Fireplace Size		Match Lighting Instructions
	Andiron and Grate Assembly	10	Log Placement
	Gas Piping		Logo Placement
6-7	Installing In An Unvented Application	11	Finishing
	Combustion and Ventilation		Rating Plate
	Determining Confined or Unconfined Space	12	Replacement Parts
			Accessories

PLEASE RETAIN THIS MANUAL FOR FUTURE REFERENCE

WARNINGS

- *Due to high temperatures, the appliance should be located out of traffic and away from furniture and draperies.*
- *Children and adults should be alerted to the hazard of high surface temperatures and should stay away to avoid burns or clothing ignition.*
- *Young children should be carefully supervised when they are in the same room with the appliance.*
- *Do not place clothing or other flammable material on or near the appliance.*
- *Any safety screen or guard removed for servicing an appliance must be replaced prior to operating the heater.*
- *Installation and repair should be done by a qualified service person. The appliance should be inspected before use and at least annually by a professional service person. More frequent cleaning may be required due to excessive lint from carpeting, bedding material, etc. It is imperative that control compartments, burners and circulating air passageways of the appliance be kept clean.*
- *Any change to this heater or it's controls can be dangerous.*
- *The fireplace and gas logs function as a system. If the fireplace is not drafting properly and spilling into the room (check with a match or a smoke stick), reposition the damper clamp until a positive draft is obtained by opening the damper. If negative pressure in home prevents having a positive draft, consult an air quality specialist.*
- *The gas log heater must be secured to the fireplace floor to ensure that the position is not changed while adjusting the controls.*
- *Sooting and an improper burn may result from shifting of the gas logs by moving the unit. A gas leak could be caused by moving the grate.*
- *If you are installing the unit into a sunken fireplace, you must raise the fireplace floor to allow access to the gas log controls. Raising the floor ensures adequate air flow and guards against sooting. The fireplace floor must be raised using noncombustible materials.*
- *This appliance is for installation only in a solid-fuel burning masonry or UL 127 factory-built fireplace or in a listed ventless firebox enclosure. It has been design certified for these installations. Exception: DO NOT install this appliance in a factory-built fireplace that includes instructions stating it has not been tested or should not be used with unvented gas logs.*
- *This appliance is only for use with the type of gas indicated on the rating plate. This appliance is not convertible for use with other gases.*
- *A fireplace screen must be in place when the appliance is operating and, unless other provisions for combustion air are provided, the screen shall have an opening for introduction of combustion air.*
- *Any glass doors shall be completely opened when the appliance is in operation.*
- *State or local codes may only allow operation of this appliance in a vented configuration. Check your state or local codes.*
- *Do not use a blower insert, heat exchanger insert or any other accessory not approved for use with this appliance.*

NAPOLEON products are manufactured under the strict Standard of the world recognized ISO 9001:2000 Quality Assurance Certificate.

NAPOLEON products are designed with superior components and materials, assembled by trained craftsmen who take great pride in their work. Once assembled the complete log set is thoroughly inspected by a qualified technician before packaging to ensure that you, the customer, receive the quality product that you expect from NAPOLEON.

NAPOLEON GAS LOG SET LIMITED WARRANTY

The Phazer™ logs in your new Napoleon gas log set are warranted against defects for as long as you own the appliance.

Electrical (millivolt) components, burner and wearable parts such as the gas valve, thermal switch, switches, wiring, remote control, ignitor, gasketing, and pilot assembly are covered and NAPOLEON will provide replacement parts free of charge during the first year of the limited warranty.

CONDITIONS AND LIMITATIONS

NAPOLEON warrants its products against manufacturing defects to the original purchaser only -- i.e., the individual or legal entity (registered customer) whose name appears on the warranty registration card filed with NAPOLEON -- provided that the purchase was made through an authorized NAPOLEON dealer and is subject to the following conditions and limitations:

This factory warranty is nontransferable and may not be extended whatsoever by any of our representatives.

Installation must be done in accordance with the installation instructions included with the product and all local and national building and fire codes.

This limited warranty does not cover damages caused by misuse, lack of maintenance, accident, alterations, abuse or neglect and parts installed from other manufacturers will nullify this warranty.

This limited warranty further does not cover any scratches, dents, corrosion or discolouring caused by excessive heat, abrasive and chemical cleaners, mechanical breakage of PHAZER™ logs and embers.

In the first year only, this warranty extends to the repair or replacement of warranted parts which are defective in material or workmanship provided that the product has been operated in accordance with the operation instructions and under normal conditions.

Napoleon will not be responsible for installation, labour or any other expenses related to the reinstallation of a warranted part and such expenses are not covered by this warranty.

Notwithstanding any provisions contained in this Limited Warranty, NAPOLEON'S responsibility under this warranty is defined as above and it shall not in any event extend to any incidental, consequential or indirect damages.

This warranty defines the obligations and liability of NAPOLEON with respect to the NAPOLEON gas logs and any other warranties expressed or implied with respect to this product, its components or accessories are excluded.

Napoleon neither assumes, nor authorizes any third party to assume, on it's behalf, any other liabilities with respect to the sale of the product.

Any damages to burner and logs or other components due to water, weather damage, long periods of dampness, condensation, damaging chemicals or cleaners will not be the responsibility of NAPOLEON.

The bill of sale or copy will be required together with a serial number and a model number when making any warranty claims from your authorized dealer. The warranty registration card must be returned within fourteen days to register the warranty.

NAPOLEON reserves the right to have its representative inspect any product or part thereof prior to honouring any warranty claim.

ALL SPECIFICATIONS AND DESIGNS ARE SUBJECT TO CHANGE WITHOUT PRIOR NOTICE DUE TO ON-GOING PRODUCT IMPROVEMENTS. NAPOLEON® IS A REGISTERED TRADEMARK OF WOLF STEEL LTD. PATENTS U.S. 5.303.693.801 - CAN. 2.073.411, 2.082.915. © WOLF STEEL LTD.

GENERAL INSTRUCTIONS

Do not use this gas log set if any part has been under water.

Call a qualified service technician to inspect the appliance before operating.

Thoroughly clean the chimney, flue and fireplace before installing this appliance into it.

Do not burn solid fuels in any fireplace that is equipped with this gas log set.

The installation of this appliance must conform with local codes or in the absence of local codes, it must conform to ANSI Z.223.1 or the CAN/CGA B149.

Do not operate appliance in the presence of gasoline or other flammable liquids and vapours. Keep area clear of other combustible materials.

Any guard or safety screen removed for servicing must be replaced before the appliance is operated.

The appliance and its shut off must be disconnected from the gas supply piping system before any pressure testing of the system is done.

Installation practices vary from region to region and it is important to know the specifics that apply to your area, for example: in Massachusetts State:

- The appliance off valve must be a "T" handle gas cock.
- The flexible connector must not be longer than 36 inches.
- The appliance is not approved for installation in a bedroom or bathroom unless the unit is a direct vent sealed combustion product.
- **WARNING:** This product must be installed by a licensed plumber or gas fitter when installed within the commonwealth of Massachusetts.
- Un-vented room heater shall be installed in accordance with 527 CMR 30.00 and 248 CMR 3.00 through 7.00.
- Sellers of un-vented propane or natural gas-fired space/room heaters shall provide to each purchaser a copy of 527 CMR 30.00 upon the sale of the unit from http://www.napoleonfireplaces.com/Webshare/installation_manuals/mass_requirements.pdf
- A carbon monoxide detector is required in all rooms containing gas fired appliances.

MAINTENANCE & CLEANING

Always shut off the appliance, gas to the appliance and allow the appliance to cool before servicing it.

Visually inspect the appliance for carbon buildup.

Using a small whisk or brush, brush off the excess carbon and vacuum up or sweep into the garbage.

Check the appliance for broken logs and corrosion of the main burner base.

GENERAL INFORMATION

FOR YOUR SATISFACTION, THIS FIREPLACE HAS BEEN TEST-FIRED TO ASSURE ITS OPERATION AND QUALITY! Maximum input is 40,000 BTU/hr for natural gas and propane.

Minimum inlet gas supply pressure is 4.5 inches water column for natural gas and 11 inches water column for propane. Maximum inlet gas pressure is 7 inches water column for natural gas and 13 inches water column for propane. Manifold pressure under flow conditions is 3.5 inches water column for natural gas and 10 inches water column for propane.

No external electricity (110 volts or 24 volts) is required for the gas system operation.

This heater is equipped with a pilot light safety system referred to as an OXYGEN DEPLETION SENSOR and is designed to turn off the heater if not enough fresh air is available.

Use only accessories designed for and listed with your specific fireplace.

Not designed for use with a glass door. Screen must be closed when appliance is in operation.

CARBON MONOXIDE POISONING MAY LEAD TO DEATH

Early signs of carbon monoxide poisoning resemble the flu, with headache, dizziness and/or nausea. If you have these signs, the heater may not be working properly. **Get fresh air at once! Have heater serviced.**

Some people---pregnant women, persons with heart or lung disease, anaemia, those under the influence of alcohol, those at high altitudes--- are more affected by carbon monoxide than others.

NATIONAL
FIREPLACE
INSTITUTE



CERTIFIED
www.nficertified.org

We suggest that our gas hearth products be installed and serviced by professionals who are certified in the U.S. by the National Fireplace Institute® (NFI) as NFI Gas Specialists.

AIR SHUTTER

LOG SET	AIR SHUTTER	
FUEL	NG	LP
GVFL18	$\frac{9}{32}$ "	$\frac{5}{16}$ "
GVFL24	$\frac{9}{32}$ "	$\frac{5}{16}$ "
GVFL30	$\frac{9}{32}$ "	$\frac{5}{16}$ "

The air shutter settings are factory set for most installations. However, adjustment may be required depending on fuel type, vent performance and altitude.

Closing the air shutter will cause a more yellow flame, but can lead to carboning. Opening the air shutter will cause a more blue flame, but can cause flame lifting from the burner ports. The flame may not appear yellow immediately; allow 15 to 30 minutes for the final flame colour to be established.

MINIMUM FIREPLACE SIZE

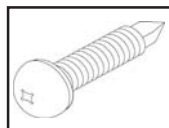
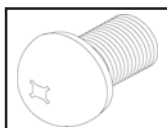
Each gas log set must be installed into a fireplace cavity with a minimum size.

Refer to the table below to determine the appropriate minimum fireplace size.

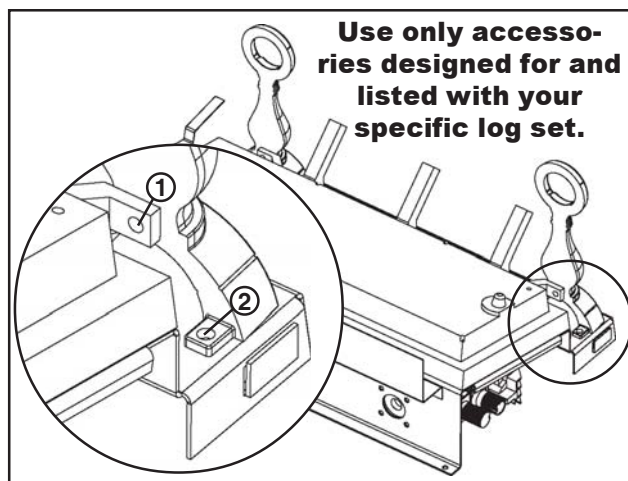
LOG SET	HEIGHT	WIDTH	DEPTH
18" GVFL18	18"	22"	14"
24" GVFL24	20"	28"	16"
30" GVFL30	22"	34"	20"

ANDIRON & GRATE ASSEMBLY

1. With the 2 andirons laying face down, secure the grate overtop using 2x $\frac{1}{4}$ -20 bolts (supplied in the manual baggie).



2. Install the grate/andiron assembly to the burner base using 4x $\frac{3}{4}$ " self tapping screws (supplied in the manual baggie).



GAS PIPING

This appliance must be isolated from the gas supply piping system by closing the individual manual shut off valve during any pressure testing of the gas supply piping system at test pressure equal to or less than $\frac{1}{2}$ psi (3.5 kPa)

1. Centre the appliance in the fireplace opening, making sure the appliance has enough room behind it for the gas line to run behind the log set under the log support.

2. Route the gas line and sizing using piping $\frac{1}{2}$ " diameter or greater to allow the full volume of gas to the appliance. The routing of the gas line has to be done to local and / or national codes.

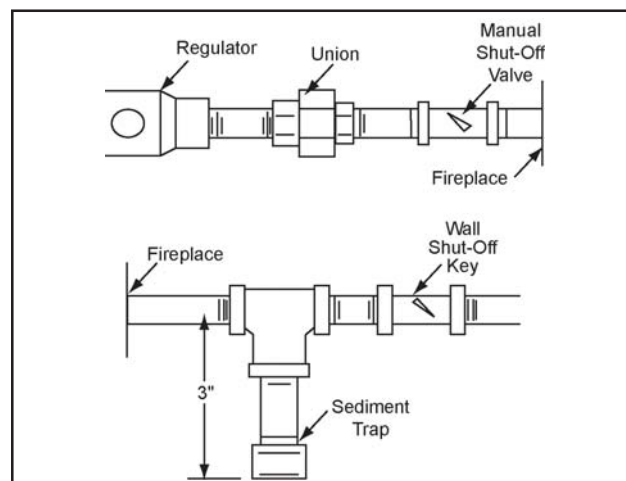
3. When rigid pipe is used an ANSI approved manual shut off and a union must be installed upstream within the fireplace cavity.

4. To ensure the appliance operates reliably install a sediment trap upstream of the appliance within the structures of the piping system.

5. When using propane, a regulator must be used between the tank and the outside wall of the house to ensure the line pressure does not exceed 14" w.c.

6. Check gas connections with a gas detection device to test for leaks in the system. Soapy water mixture can also be used to check for leaks.

7. Once all the gas connections are tested for leaks, start the appliance. Follow the lighting instructions to ensure the appliance is working properly before finishing.



INSTALLING IN AN UNVENTED APPLICATION

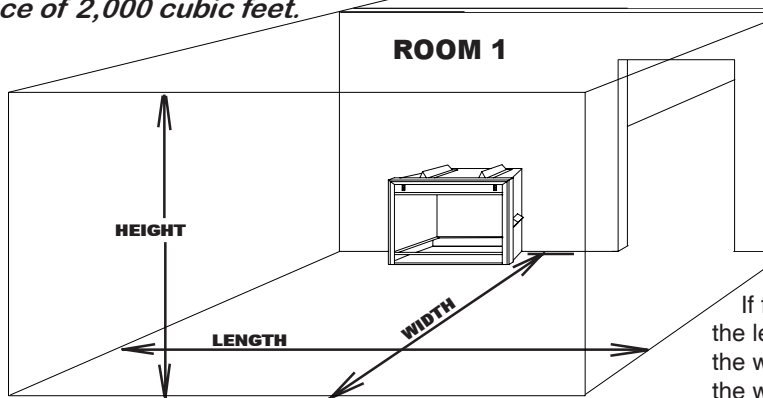
COMBUSTION & VENTILATION AIR PROVISIONS

This heater shall not be installed in a confined space or unusually tight construction unless provisions are provided for adequate combustion and ventilation air.

In order to avoid the possibility of exposed insulation or vapour barrier coming in contact with the fireplace body, it is recommended that the walls of the fireplace enclosure be 'finished', (i.e. drywall/sheetrock) as would any other outside wall of the home. This will ensure that clearance to combustibles is maintained within the cavity.

The National Fuel Gas Code, ANSI Z223.1 defines a confined space as a space whose volume is **less than 50 cubic feet** per 1,000 Btu per hour (4.8 m³ per kW) of the aggregate input rating of all appliances installed in that space and an unconfined space as a space whose volume is **not less than 50 cubic feet** per 1,000 Btu per hour (4.8 m³ per kW) of the aggregate input rating of all appliances installed in that space. Rooms communicating directly with the space in which the appliances are installed, through openings not furnished with doors are considered a part of the unconfined space.

The GVFL18/24/30 are all rated at 40,000BTUs per hour and therefore requires a minimum unconfined space of 2,000 cubic feet.



ROOM 2

figure 1

If for example, the length of the rooms is 10 feet, the width of Room 1 is 10 feet, the width of Room 2 is 15 feet the height of the rooms is 8 feet.

The volume of Room 1: 10 x 10 x 8 = 800 cubic feet.
The volume of Room 2: 10 x 15 x 8 = 1200 cubic feet.

Room Volume = Length x Width x Height
Max BTU/hr = Room Volume x 1000 ÷ 50

EXAMPLE 1

In this example, because there is no door to the adjoining room, the volume of the adjoining room may be added to the volume of the room with the heater to get a total unconfined space.

The total unconfined space: 800 + 1200 = 2000 cubic feet.

Maximum BTU/h: $\frac{2000 \times 1000}{50} = 40,000$ BTU/h

If there are no more fuel burning appliances within this space then the 30,000 BTU/h input of the fireplace is suitable to be installed. This also assumes that the construction of this space is not unusually tight.

EXAMPLE 2

If in this example a solid door separates Room 1 from Room 2, the volume of Room 2 could not be used. In this case the maximum BTU/h would be:

Maximum BTU/h: $\frac{800 \times 1000}{50} = 16,000$ BTU/h

This would be considered a confined space since it can not support the 30,000BTU/h input of the heater and it would be necessary to provide adequate combustion and ventilation air to Room 1.

WARNING

Barriers such as the bottom of a glass door frame placed in front of a gas log set can change the air flow characteristics of the fireplace which in turn can cause the unit to carbon or overheat and malfunction.

Unvented gas heaters are a supplemental zone heater. They are not intended to be the primary heating appliance.

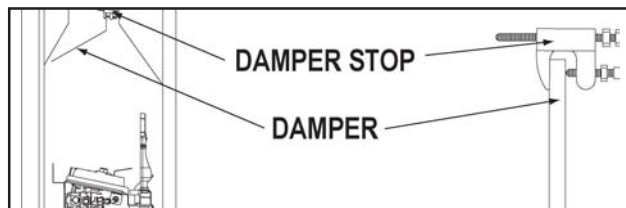
Unvented gas heaters emit moisture into the living area. In most homes of average construction, this does not pose a problem. In houses of extremely tight construction, additional mechanical ventilation is recommended.

During manufacturing, fabricating and shipping various components of this appliance are treated with certain oils, films or bonding agents.

These materials may produce smoke and smells as they are burned off during the initial operation of the appliance; possibly causing headaches or eye or lung irritation. This is a normal and temporary occurrence. Simply open a window to ventilate the room during the burn off period.

INSTALLING IN A VENTED APPLICATION

DAMPER STOP INSTALLATION



The damper must be permanently locked in position to prevent full closure and to provide a minimum flue opening. Various methods for locking the damper may be used but may be restricted from region to region and it is important to know the specifics that apply to your area. For your convenience a damper stop is provided with the unit and may be used where not prohibited by state or local codes.

Use the 3" adjustable bolt to adjust the damper to the correct opening, based on the enclosed chart.

Should the damper stop not fit, or provide the required permanent opening from the **Minimum Damper Opening** table, have the damper cut to provide a minimum permanent opening or install an alternate stop.

MINIMUM DAMPER OPENING (square inches)

Chimney Height	Masonry Fireplace	Factory Built Fireplace
6	33.8"	
8	31.2"	
10	28.7"	22.1"
15	26.1"	17.3"
20	23.7"	14.5"
25	22.7"	12.6"
30	21.6"	11.3"
35		10.8"
40		10.2"

Creosote, ashes and loose paint must be cleaned from the chimney flue and firebox by a qualified chimney cleaner, before installing in a solid fuel burning fireplace. Any outside air ducts and/or ash dumps in the fireplace shall be permanently closed at time of appliance installation.

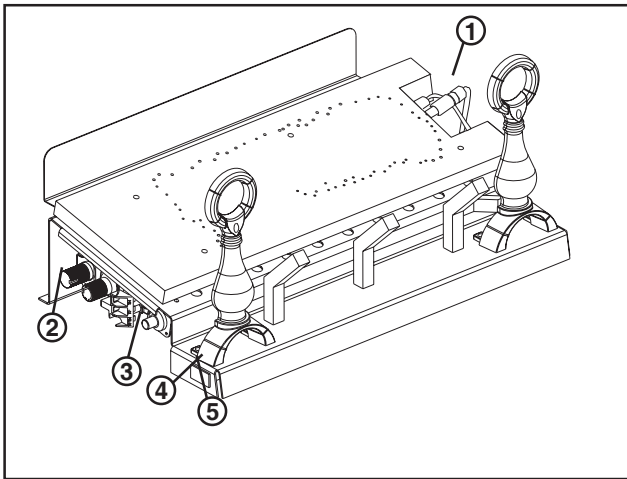
OPERATION / MAINTENANCE

OPERATING INSTRUCTIONS

IF THE FIREPLACE IS EQUIPPED WITH DECORATIVE GLASS DOORS, THEY MUST BE FULLY OPENED WHEN OPERATING THIS GAS LOG SET.

LIGHTING INSTRUCTIONS

1. Locate the pilot burner at the rear of the log set on the right side.
2. Turn the gas control knob to the pilot setting (on the left side of the appliance closest to the back).
3. With the control knob depressed, push the piezo igniter continuously until the pilot lights.
Hold the control knob in for 1 minute and release.
If the pilot goes out, repeat steps 2 and 3.
4. Once the pilot stays burning, make certain that the on / off switch is in the off position. Turn the control knob counter-clockwise to the on position.
5. Turn the on / off switch to the on position to ignite the burner.



If heater shuts off, do not relight until you provide fresh air. If heater keeps shutting off, have it serviced. Keep burner and control compartment clean.

When lit for the first time, the fireplace will emit a slight odour for a few hours. This is a normal temporary condition caused by the curing of the logs and the "burn-off" of internal paints and lubricants used in the manufacturing process and will not occur again. Open a window to ventilate the room during this burn off period.

OXYGEN DEPLETION SENSOR PILOT CLEANING

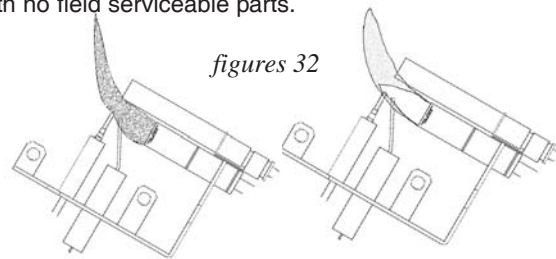
This procedure must be performed by a qualified service person!

Inspect the pilot for any visible contamination or debris (usually lint, pet hair, spider webs, carpet fibre, etc.) and remove.

Disconnect the pilot from the pilot tubing line. Using a $\frac{7}{16}$ " wrench, remove the injector from the pilot housing. Blow out the housing in the same direction as the gas flow.

Re-install the injector and the pilot tube, turn on the gas and check for leaks.

If this does not improve the performance, replace the pilot with **an exact replacement**. The device is tamper resistant with no field serviceable parts.



CORRECT PILOT
FLAME

INCORRECT PILOT
FLAME

MATCH LIGHTING INSTRUCTIONS

1. Remove any items necessary for easy access to the pilot (for example: logs, screens, etc.).
2. Follow appropriate lighting instructions found previously. Instead of pushing and releasing the piezo button, light a match and hold the flame to the end of the pilot and ignite the pilot.
3. After control knob has been released and pilot stays lit, reinstall any items that were removed for pilot access.
4. Call a qualified service technician for repair or replacement of the piezo ignitor.

After extended periods of non-operation such as following a vacation or a warm weather season, the fireplace may emit a slight odour for a few hours. This is caused by dust particles burning off. In both cases, open a window to sufficiently ventilate the room.

Purge the gas line with the glass door open. Assure that a continuous gas flow is at the burner before closing the door.

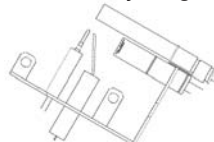
FOR YOUR SAFETY READ BEFORE LIGHTING:

WARNING: IF YOU DO NOT FOLLOW THESE INSTRUCTIONS EXACTLY, A FIRE OR EXPLOSION MAY RESULT CAUSING PROPERTY DAMAGE, PERSONAL INJURY OR LOSS OF LIFE.

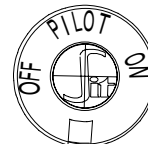
- A. This fireplace is equipped with a pilot which must be lit by hand while following these instructions exactly.
- B. Before operating smell all around the fireplace area for gas and next to the floor because some gas is heavier than air and will settle on the floor.
- C. Use only your hand to push in and turn the gas control knob. Never use tools. If the knob will not push in and turn by hand, do not try to repair it. Call a qualified service technician. Force or attempted repair may result in a fire or explosion.
- D. Do not use this fireplace if any part has been under water. Immediately call a qualified service technician to inspect the fireplace and replace any part of the control system and any gas control which has been under water.

WHAT TO DO IF YOU SMELL GAS:

- Do not try to light any appliance.
- Do not touch any electric switch; do not use any phone in your building.
- Immediately call your gas supplier from a neighbour's phone. Follow the gas supplier's instructions.
- If you cannot reach your gas supplier, call the fire department.




oxygen depletion sensor





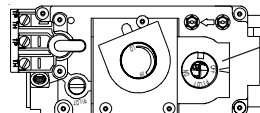
gas knob

LIGHTING INSTRUCTIONS

When lighting and re-lighting, the gas knob cannot be turned from pilot to off unless the knob is depressed.

1. STOP! Read the above safety information on this label.
2. Set the thermostat to lowest setting.
3. Turn off all electric power to the fireplace.
4. Open the control door. Turn the gas knob clockwise  to off.
5. Wait five (5) minutes to clear out any gas. If you smell gas including near the floor, STOP! Follow "B" in the above safety information on this label. If you don't smell gas go to the next step.
6. Find pilot located in front of the back log.

7. Turn gas knob counter-clockwise  to pilot.
8. Depress and hold gas knob while lighting the pilot with the push button igniter. Keep knob fully depressed for one minute, then release. If pilot does not continue to burn repeat steps 3 through 7.
9. With pilot lit, turn gas knob counter-clockwise  to on. When the pilot has been turned off, ignition of the main burner may be delayed from 1-2 minutes. When the pilot has been left burning, ignition of the main burner should occur almost immediately.
10. If equipped with remote on-off switch, main burner may not come on when you turn the valve to on. Remote switch must be in the on position to ignite burner.



GAS KNOB AT OFF

TO TURN OFF GAS

11. Turn on all electric power to the fireplace.
1. Turn off all electric power to the fireplace if service is to be performed.
2. Push in gas control knob slightly and turn clockwise.

LOG PLACEMENT

PHAZER™ logs, exclusive to Napoleon Fireplaces, provide a unique and realistic glowing effect that is different in every installation. **These logs are fuel specific. Do not interchange. Refer to the replacement parts list.** Failure to follow these log placement instructions may cause sooting.

1. Place the rear log #1 onto the locating studs on the rear log support.



2. Position the holes on the bottom of log #2 onto the pins shown.

3. Position the holes on the bottom of log #3 onto the pins shown, with the charred face forward.



4. Position the holes on the bottom of log #4 onto the pins shown, with the charred face inward.



5. Position the holes on the bottom of #5 on the pin on the left end of log #1 and the pin on the left end of log #2.

6. Place the end of log #6 on the right end of log #1. The fork in the log should straddle the knot on top of the log #2.



Log colours may vary. During the initial use of the fireplace, the colours will become more uniform as colour pigments burn in during the heat activated curing process.

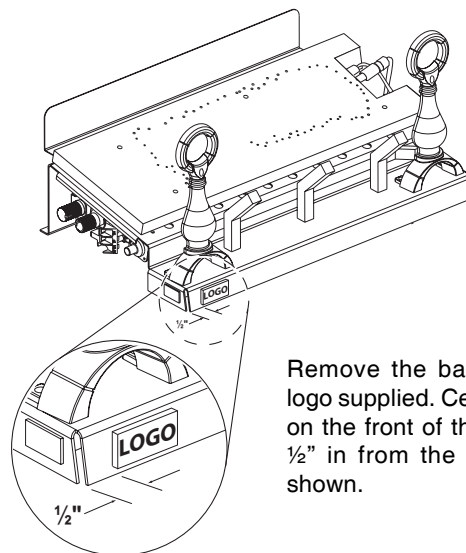
Positioning the logs improperly will cause flame impingement and carboning.

Blocked burner ports can cause an incorrect flame pattern, carbon deposits and delayed ignition. **PHAZER™** logs glow when exposed to direct flame. Use only certified **PHAZER™** logs available from your Napoleon dealer.

WARNING

Failure to position the parts in accordance with these diagrams or failure to use only parts specifically approved with this heater may result in property damage or personal injury.

LOGO PLACEMENT



Remove the backing of the logo supplied. Centre the logo on the front of the appliance, 1/2" in from the left side, as shown.

FINISHING

1. Place lava or ember rock around the base of the appliance, making sure not to block any burner ports or valve access. Retain a small amount of lava rock for step 3 and if applicable step 4.
2. Place formed charcoal lumps around the front and sides of the unit.
3. Use remaining lava or ember rock to blend with the charcoal lumps.



4. **GVFL30 ONLY:** Sprinkle remaining lava rock onto the outer fibre ember beds to hide the seam.

RATING PLATE

CERTIFIED UNDER:
ANSI Z21.11.20-2004 GAS FIRED ROOM HEATER - VOLUME II, UNVENTED ROOM HEATERS
ANSI Z21.40-2002 CSA 2.26-2002 DECORATIVE GAS APPLIANCES FOR INSTALLATION IN SOLID-FUEL BURNING APPLIANCES
REMOVAL OF THIS MARKING WILL VOID THE COMPLIANCE OF THIS HEATER WITH ANSI Z21.11.2.

WARNING: IMPROPER INSTALLATION, ADJUSTMENT, ALTERATION, SERVICE OR MAINTENANCE CAN CAUSE PROPERTY DAMAGE, PERSONAL INJURY OR LOSS OF LIFE. REFER TO THE OWNER'S INFORMATION MANUAL PROVIDED WITH THIS APPLIANCE, FOR ASSISTANCE OR ADDITIONAL INFORMATION. CONSULT A QUALIFIED INSTALLER, SERVICE AGENCY OR THE GAS SUPPLIER.

WARNING: THIS APPLIANCE IS FOR INSTALLATION ONLY IN A SOLID-FUEL BURNING MASONRY OR UL 127 FACTORY-BUILT FIREPLACE OR IN A LISTED VENTLESS FIREBOX ENCLOSURE. IT HAS BEEN DESIGNED CERTIFIED FOR THESE INSTALLATIONS. EXCEPTION: DO NOT INSTALL THIS APPLIANCE IN A FACTORY-BUILT FIREPLACE THAT INCLUDES INSTRUCTIONS STATING IT HAS NOT BEEN TESTED OR SHOULD NOT BE USED WITH UNVENTED GAS LOGS.

NATURAL GAS MODELS

<input type="checkbox"/> GVFL18N 40,000BTU/h 24,000BTU/h #01	<input type="checkbox"/> GVFL24N 40,000BTU/h 24,000BTU/h #01	<input type="checkbox"/> GVFL30N 40,000BTU/h 24,000BTU/h #01
---	---	---

PROPANE MODELS

<input type="checkbox"/> GVFL18P 40,000BTU/h 33,000BTU/h #02	<input type="checkbox"/> GVFL24P 40,000BTU/h 33,000BTU/h #02	<input type="checkbox"/> GVFL30P 40,000BTU/h 33,000BTU/h #02
---	---	---

INPUT REDUCED INPUT ORifice

ALTIITUDE MANIFOLD PRESSURE MINIMUM SUPPLY PRESSURE MAXIMUM SUPPLY PRESSURE SIT CONTROL OPERATING PILOT OXYPROTECTOR

0-2000FT (0-137m) 3.5" WATER COLUMN 4.5" WATER COLUMN 7.0" WATER COLUMN #20627 #011524

0-2000FT (0-137m) 10" WATER COLUMN 11" WATER COLUMN 13" WATER COLUMN #20626 #011523

WHEN INSTALLING INTO A SOLID FUEL BURNING FIREPLACE:
THE FIREPLACE CHIMNEY MUST HAVE A PERMANENT VENT OPENING TO ATMOSPHERE OF NOT LESS THAN 33.3" FOR GVFL18, 33.3" FOR GVFL24, 33.3" FOR GVFL30 OR AS DETERMINED BY THE MANUFACTURER'S INSTALLATION INSTRUCTIONS.

MINIMUM FIREPLACE SIZE			
UNIT	HEIGHT	WIDTH	DEPTH
GVFL18	18"	22"	14"
GVFL24	20"	28"	16"
GVFL30	22"	34"	20"

FOR MINIMUM CHIMNEY FLUE SEE INSTRUCTION MANUAL.

WHEN INSTALLING INTO A LISTED VENTLESS FIREBOX ENCLOSURE FOR GAS-FIRED UNVENTED DECORATIVE ROOM HEATER:
AS A GAS FIRED UNVENTED ROOM HEATER THIS UNIT REQUIRES ADEQUATE COMBUSTION AND VENTILATION AIR FOR SAFE OPERATION. THIS TYPE OF INSTALLATION IS NOT APPROVED FOR BEDROOMS, BATHROOMS AND BED SITTING ROOMS. KEEP BURNER AND CONTROL AREA CLEAR.

MADE IN CANADA
WOLF STEEL LTD. BARRIE, ONTARIO CANADA
SERIAL NUMBER: GVFL

V025-0317 (08.23.02)

BEFORE OPERATING

A FIRE OR EXPLOSION MAY RESULT CAUSING PROPERTY DAMAGE, AND MAIN BURNERS MUST BE DONE WITH THE GLASS DOOR OFF. ELECTRICITY. SEE INSTALLATION INSTRUCTIONS.

- USE ONLY YOUR HAND TO PUSH IN AND TURN THE GAS CONTROL KNOB. NEVER USE TOOLS. IF THE KNOB WILL NOT PUSH IN AND TURN BY HAND, DO NOT TRY TO REPAIR. CALL A QUALIFIED SERVICE TECHNICIAN FOR ASSISTANCE. ATTEMPTED REPAIR MAY RESULT IN A FIRE OR EXPLOSION.
- DO NOT USE THIS FIREPLACE IF ANY PART HAS BEEN UNDER REPAIR. IMMEDIATELY CALL A QUALIFIED SERVICE TECHNICIAN TO INSPECT THE FIREPLACE AND REPLACE ANY PART OF THE CONTROL SYSTEM AND ANY GAS CONTROL WHICH HAS BEEN UNDER REPAIR.

OXYPROTECTOR

INSTRUCTIONS

- WHEN LIGHTING AND RE-LIGHTING, THE GAS KNOB CANNOT BE TURNED FROM PILOT TO OFF UNLESS THE KNOB IS DEPRESSED.
- STOP. READ THE ABOVE SAFETY INFORMATION ON THIS LABEL.
- SET THE THERMOSTAT TO LOWEST SETTING.
- TURN OFF ALL ELECTRIC POWER TO THE FIREPLACE.
- OPEN THE LOWER ACCESS DOOR. TURN THE GAS KNOB CLOCKWISE TO OFF.
- WAIT FIVE (5) MINUTES TO CLEAR OUT ANY GAS. IF YOU SMELL GAS INCLUDING NEAR THE FLOOR, STOP. FOLLOW "B" IN THE ABOVE SAFETY INFORMATION ON THIS LABEL. IF YOU DON'T SMELL GAS GO TO THE NEXT STEP.
- FIND PILOT LOCATED IN FRONT OF BACK LOG.
- TURN GAS KNOB COUNTER-CLOCKWISE TO PILOT.
- DEPRESS AND HOLD GAS KNOB WHILE LIGHTING THE PILOT WITH THE PUSH BUTTON IGNITOR. KEEP KNOB FULLY DEPRESSED FOR ONE MINUTE, THEN RELEASE. IF PILOT DOES NOT CONTINUE TO BURN REPEAT STEPS 3 THROUGH 7.

- WITH PILOT LIT, TURN GAS KNOB COUNTER-CLOCKWISE TO ON. WHEN THE PILOT HAS BEEN TURNED OFF, IGNITION OF THE MAIN BURNER MAY BE DELAYED FOR 1-2 MINUTES. WHEN THE PILOT HAS BEEN LEFT BURNING, IGNITION OF THE MAIN BURNER SHOULD OCCUR ALMOST IMMEDIATELY.
- IF EQUIPPED WITH REMOTE ON-OFF SWITCH, MAIN BURNER MAY NOT COME ON WHEN YOU TURN THE VALVE TO ON. REMOTE SWITCH MUST BE IN THE ON POSITION TO IGNITE BURNER.
- TURN ON ALL ELECTRIC POWER TO THE FIREPLACE.



TO TURN OFF GAS

- TURN OFF ALL ELECTRIC POWER TO THE FIREPLACE IF SERVICE IS TO BE PERFORMED.
- PUSH IN GAS CONTROL KNOB SLIGHTLY AND TURN CLOCKWISE TO OFF. DO NOT FORCE.

THE RATING PLATE IS CHAINED TO THE PIEZO IGNITOR BRACKET AND SHOULD BE TUCKED UNDER THE ENTIRE ASSEMBLY.

REPLACEMENTS

Contact your dealer for questions concerning prices and availability of replacement parts. Normally all parts can be ordered through your Napoleon dealer or distributor.

When ordering replacement parts always give the following information:

FOR WARRANTY REPLACEMENT PARTS, A PHOTOCOPY OF THE ORIGINAL INVOICE WILL BE REQUIRED TO HONOUR THE CLAIM.

1. MODEL & SERIAL NUMBER OF FIREPLACE
 2. INSTALLATION DATE OF FIREPLACE
 3. PART NUMBER
 4. DESCRIPTION OF PART
 5. FINISH
- * IDENTIFIES ITEMS WHICH ARE NOT ILLUSTRATED. FOR FURTHER INFORMATION, CONTACT YOUR NAPOLEON DEALER.*

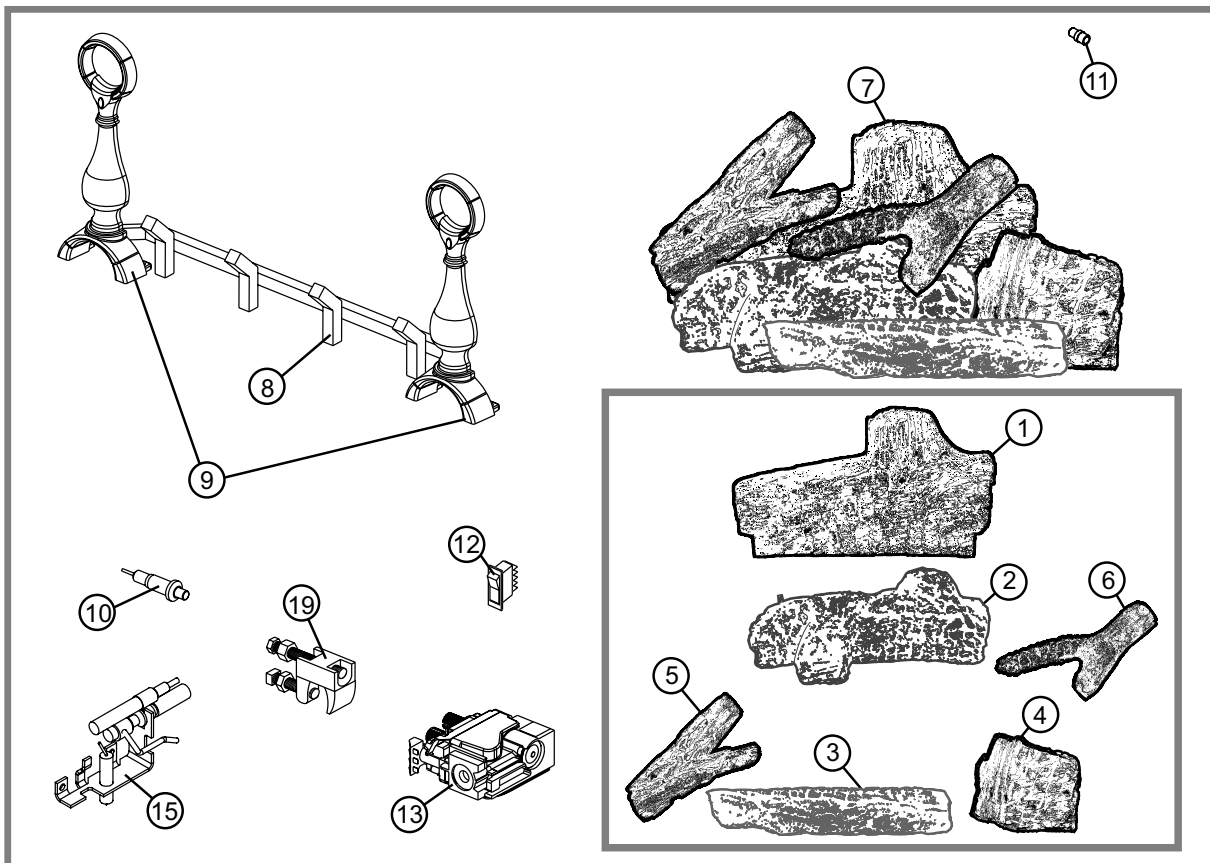
REPLACEMENT PARTS

#	Part #	Description
1	W135-0260	#1 - REAR LOG
2	W135-0261	#2 - MIDDLE LOG
3	W135-0272	#3 - FRONT LOG
4	W135-0263	#4 - RIGHT LOG
5	W135-0242	#5 - LEFT CROSSOVER LOG
6	W135-0243	#6 - RIGHT CROSSOVER LOG
7	GL653	LOG SET
8	W185-0024	GVFL18 GRATE
8	W185-0020	GVFL24 GRATE
8	W185-0023	GVFL30 GRATE
9	W715-0628	GVFL18 / 24 ANDIRONS
9	W715-0629	GVFL30 ANDIRONS
10	W357-0001	PIEZO IGNITOR AND NUT
11	W455-0078	#31 ORIFICE - NG
11	W455-0042	#49 ORIFICE - LP
12	W660-0023	ON / OFF SWITCH
13	W725-0030	VALVE - NG
13	W725-0031	VALVE - LP

14*	W385-0245	NAPOLEON LOGO
15	W662-0003	NATURAL GAS OXYGEN DEPLETION SENSOR
15	W662-0004	PROPANE GAS OXYGEN DEPLETION SENSOR
16*	W010-1321	FIBRE BURNER
17*	W550-0006	LAVA ROCK
18*	W550-0002	CHARCOAL LUMPS
19	W010-1288	DAMPER STOP
20*	W750-0060	IGNITOR CABLE
21*	W720-0084	PILOT TUBE
22*	W135-0265	GVFL30 RIGHT EXTENSION LOG
22*	W135-0266	GVFL30 LEFT EXTENSION LOG

ACCESSORIES

#	Part #	Description
23*	GD-660	REMOTE WALL SWITCH W/ 20" WIRE
24*	W690-0001	MILLIVOLT WALL THERMOSTAT
25*	W660-0011B	ADVANTAGE PLUS HAND HELD REMOTE
26*	W660-0026	PROGRAMMABLE TIMER
27*	W550-0006	ADDITIONAL LAVA ROCK/CINDERS



Free Manuals Download Website

<http://myh66.com>

<http://usermanuals.us>

<http://www.somanuals.com>

<http://www.4manuals.cc>

<http://www.manual-lib.com>

<http://www.404manual.com>

<http://www.luxmanual.com>

<http://aubethermostatmanual.com>

Golf course search by state

<http://golfingnear.com>

Email search by domain

<http://emailbydomain.com>

Auto manuals search

<http://auto.somanuals.com>

TV manuals search

<http://tv.somanuals.com>