

**INSTALLER: THESE INSTRUCTIONS MUST BE CONVEYED TO AND REMAIN WITH THE HOMEOWNER.**



# INSTALLATION AND OPERATION INSTRUCTIONS

CERTIFIED UNDER CANADIAN AND AMERICAN NATIONAL STANDARDS: CSA 2.22, ANSI Z21.50 FOR VENTED GAS FIREPLACES.

The  
*Dream*<sup>TM</sup>

**BGD90NT**  
NATURAL GAS

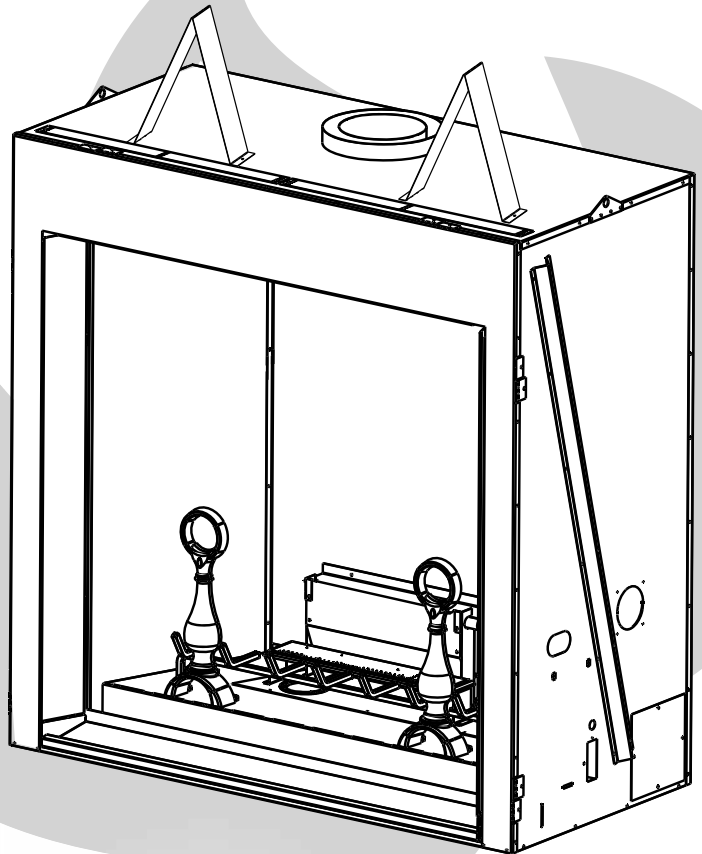
**BGD90PT**  
PROPANE

CERTIFIED FOR CANADA AND UNITED STATES USING ANSI/CSA METHODS.

## SAFETY INFORMATION

**WARNING:** If the information in these instructions are not followed exactly, a fire or explosion may result causing property damage, personal injury or loss of life.

- Do not store or use gasoline or other flammable vapors and liquids in the vicinity of this or any other appliance.
- **WHAT TO DO IF YOU SMELL GAS:**
  - Do not try to light any appliance.
  - Do not touch any electrical switch; do not use any phone in your building.
  - Immediately call your gas supplier from a neighbour's phone. Follow the gas supplier's instructions.
  - If you cannot reach your gas supplier, call the fire department.
- Installation and service must be performed by a qualified installer, service agency or the supplier.



**Wolf Steel Ltd., 24 Napoleon Rd., Barrie, ON L4M 4Y8 Canada · (705)721-1212 · fax(705)722-6031**  
**www.napoleonfireplaces.com · ask@napoleon.on.ca**

# TABLE OF CONTENTS

<b>PG2-5</b>	<b>INTRODUCTION</b> Warnings and Safety Precautions Warranty Dimensions General Instructions General Information Care of Glass & Plated Parts	<b>20-24</b>	<b>OPERATION / MAINTENANCE</b> Fireplace Operation Hand Held Remote Operation Temperature Display Room Thermostat SMART Thermostat Flame Height Fan Shield Child Proof Function Remote Auxiliary Outlet Low Battery / Manual Bypass Operating Instructions Maintenance
<b>5-9</b>	<b>VENTING</b> Vent lengths Venting Specifications Air Terminal Locations		
<b>10-14</b>	<b>INSTALLATION/FRAMING</b> Wall & Ceiling Protection Using Flexible Vent Components Fireplace Vent Connection Gas Installation Restricting Vertical Vents Framing Clearance to Combustibles Mantle Clearances and Enclosures	<b>24</b>	<b>ADJUSTMENTS</b> Pilot Burner Adjustment Venturi Adjustment Air Control Rod Access
<b>14</b>	<b>ELECTRICAL CONNECTION</b> Schematic	<b>25-26</b>	<b>REPLACEMENTS</b> Ordering Replacement Parts Replacement Parts Terminal Kits Vent Kits Accessories
<b>15-18</b>	<b>FINISHING</b> Door Removal Log Shipping Bracket Removal Brick Panel Installation Andiron Placement Log Placement Charcoal Embers Night Light Replacement	<b>27-28</b>	<b>TROUBLE SHOOTING GUIDE</b>
<b>19</b>	<b>REMOTE AND VALVE ACCESS</b> Remote Removal Valve Removal	<b>29</b>	<b>SERVICE HISTORY</b>
		<b>30</b>	<b>NOTES</b>

## PLEASE RETAIN THIS MANUAL FOR FUTURE REFERENCE

### WARNING

- Do not burn wood or other materials in this fireplace.
- Adults and especially children should be alerted to the hazards of high surface temperatures and should stay away to avoid burns or clothing ignition. Supervise young children when they are in the same room as the fireplace.
- Ensure you have incorporated adequate safety measure to protect infants/toddlers from touching hot surfaces.
- Due to high temperatures, the fireplace should be located out of traffic and away from furniture and draperies.
- Clothing or other flammable material should not be placed on or near the fireplace.
- Check with your local hearth specialty dealer for safety screens and hearth guards to protect children from hot surfaces. These screens and guards must be fastened to the floor.
- Any safety screen or guard removed for servicing must be replaced prior to operating the fireplace.
- Even after the fireplace is out, the glass and/or screen will remain hot for an extended period of time.
- It is imperative that the control compartments, burners and circulating blower and its passageway in the fireplace and venting system are kept clean. The fireplace and its venting system should be inspected before use and at least annually by a qualified service person. More frequent cleaning may be required due to excessive lint from carpeting, bedding material, etc. The fireplace area must be kept clear and free from combustible materials, gasoline and other flammable vapours and liquids.
- Under no circumstances should this fireplace be modified.
- This fireplace must not be connected to a chimney flue pipe serving a separate solid fuel burning appliance.
- Do not use this fireplace if any part has been under water. Immediately call a qualified service technician to inspect the fireplace and to replace any part of the control system and any gas control which has been under water.
- Do not operate the fireplace with the glass door removed, cracked or broken. Replacement of the glass should be done by a licensed or qualified service person.
- Do not strike or slam shut the fireplace glass door.
- This fireplace uses and requires a fast acting thermocouple. Replace only with a fast acting thermocouple supplied by Wolf Steel Ltd.
- Only doors/optional fronts certified with the appliance shall be used.
- Pressure relief doors must be kept closed while the fireplace is operating to prevent exhaust fumes containing carbon monoxide, from entering into the home. Temperatures of the exhaust escaping through these openings can also cause the surrounding combustible materials to overheat and catch fire.

*NAPOLEON® products are manufactured under the strict Standard of the world recognized ISO 9001 : 2000 Quality Assurance Certificate.*

*NAPOLEON® products are designed with superior components and materials, assembled by trained craftsmen who take great pride in their work. The burner and valve assembly are leak and test-fired at a quality test station. The complete fireplace is thoroughly inspected by a qualified technician before packaging to ensure that you, the customer, receives the quality product that you expect from NAPOLEON®.*

## **NAPOLEON® GAS FIREPLACE PRESIDENT'S LIFETIME LIMITED WARRANTY**

*The following materials and workmanship in your new NAPOLEON® gas fireplace are warranted against defects for as long as you own the fireplace. This covers: combustion chamber, heat exchanger, stainless steel burner, PHAZER™ logs and embers, ceramic glass (thermal breakage only), gold plated parts against tarnishing, porcelainized enamelled components and aluminum extrusion trims.*

*Electrical (110V and millivolt) components and wearable parts such as the blower, gas valve, thermal switch, switches, wiring, remote control, ignitor, gasket, and pilot assembly are covered and NAPOLEON® will provide replacement parts free of charge during the first year of the limited warranty. Light bulbs are not covered by this warranty.*

*Labour related to warranty repair is covered free of charge during the first year. Repair work, however, requires the prior approval of an authorized company official. Labour costs to the account of NAPOLEON® are based on a predetermined rate schedule and any repair work must be done through an authorized NAPOLEON® dealer.*

## **CONDITIONS AND LIMITATIONS**

NAPOLEON® warrants its products against manufacturing defects to the original purchaser only -- i.e., the individual or legal entity (registered customer) whose name appears on the warranty registration card filed with NAPOLEON® -- provided that the purchase was made through an authorized NAPOLEON® dealer and is subject to the following conditions and limitations:

This factory warranty is nontransferable and may not be extended whatsoever by any of our representatives.

The gas fireplace must be installed by a licensed, authorized service technician or contractor. Installation must be done in accordance with the installation instructions included with the product and all local and national building and fire codes.

This limited warranty does not cover damages caused by misuse, lack of maintenance, accident, alterations, abuse or neglect and parts installed from other manufacturers will nullify this warranty.

This limited warranty further does not cover any scratches, dents, corrosion or discolouring caused by excessive heat, abrasive and chemical cleaners nor chipping on porcelain enamel parts, mechanical breakage of PHAZER™ logs and embers, nor any venting components used in the installation of the fireplace.

NAPOLEON® warrants its stainless steel burners against defects in workmanship and material for life, subject to the following conditions: During the first 10 years NAPOLEON® will replace or repair the defective parts at our option free of charge. From 10 years to life, NAPOLEON® will provide replacement burners at 50% of the current retail price.

In the first year only, this warranty extends to the repair or replacement of warranted parts which are defective in material or workmanship provided that the product has been operated in accordance with the operation instructions and under normal conditions.

After the first year, with respect to this President's Limited Lifetime Warranty, NAPOLEON® may, at its discretion, fully discharge all obligations with respect to this warranty by refunding to the original warranted purchaser the wholesale price of any warranted but defective part(s).

After the first year, NAPOLEON® will not be responsible for installation, labour or any other costs or expenses related to the reinstallation of a warranted part, and such expenses are not covered by this warranty.

Notwithstanding any provisions contained in this President's Limited Lifetime Warranty, NAPOLEON®'S responsibility under this warranty is defined as above and it shall not in any event extend to any incidental, consequential or indirect damages.

This warranty defines the obligations and liability of NAPOLEON® with respect to the NAPOLEON® gas fireplace and any other warranties expressed or implied with respect to this product, its components or accessories are excluded.

NAPOLEON® neither assumes, nor authorizes any third party to assume, on its behalf, any other liabilities with respect to the sale of this product. NAPOLEON® will not be responsible for: over-firing, downdrafts, spillage caused by environmental conditions such as rooftops, buildings, nearby trees, hills, mountains, inadequate vents or ventilation, excessive venting configurations, insufficient makeup air, or negative air pressures which may or may not be caused by mechanical systems such as exhaust fans, furnaces, clothes dryers, etc.

Any damages to fireplace, combustion chamber, heat exchanger, brass trim or other component due to water, weather damage, long periods of dampness, condensation, damaging chemicals or cleaners will not be the responsibility of NAPOLEON®.

The bill of sale or copy will be required together with a serial number and a model number when making any warranty claims from your authorized dealer. The warranty registration card must be returned within fourteen days to register the warranty.

NAPOLEON® reserves the right to have its representative inspect any product or part thereof prior to honouring any warranty claim.

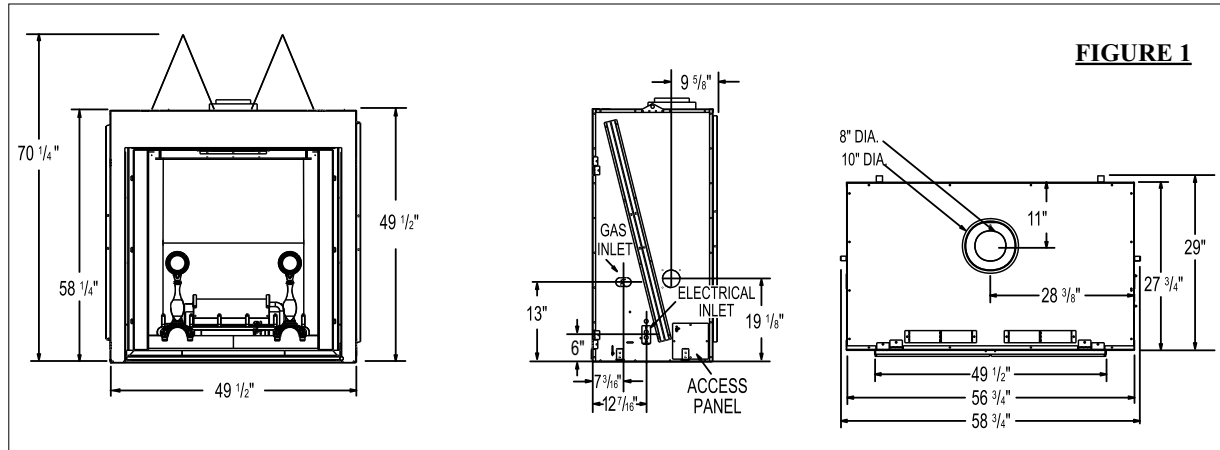


FIGURE 1

## GENERAL INSTRUCTIONS

*THIS GAS FIREPLACE SHOULD BE INSTALLED AND SERVICED BY A QUALIFIED INSTALLER* to conform with local codes. Installation practices vary from region to region and it is important to know the specifics that apply to your area, for example: in Massachusetts State:

- The fireplace damper must be removed or welded in the open position prior to installation of a fireplace insert or gas log.
- The appliance off valve must be a "T" handle gas cock.
- The flexible connector must not be longer than 36 inches.
- A Carbon Monoxide detector is required in all rooms containing gas fired appliances.
- The appliance is not approved for installation in a bedroom or bathroom unless the unit is a direct vent sealed combustion product.
- WARNING: This product must be installed by a licensed plumber or gas fitter when installed within the commonwealth of Massachusetts.

In absence of local codes, install to the current CAN/CGA-B149 Installation Code in Canada or to the National Fuel Gas Code, ANSI Z223.1, and NFPA 54 in the United States. Suitable for mobile home installation if installed in accordance with the current standard CAN/CSA Z240MH Series, for gas equipped mobile homes, in Canada or ANSI Z223.1 and NFPA 54 in the United States.

The fireplace and its individual shutoff valve must be disconnected from the gas supply piping system during any pressure testing of that system at test pressures in excess of 1/2 psig (3.5 kPa). The fireplace must be isolated from the gas supply piping system by closing its individual manual shutoff valve during any pressure testing of the gas supply piping system at test pressures equal to or less than 1/2 psig (3.5 kPa).

When the fireplace is installed directly on carpeting, vinyl tile or other combustible material other than wood flooring, the fireplace shall be installed on a metal or wood panel extending the full width and depth.

The optional heat circulating blower is supplied with a cord. If installed, the junction box must be electrically connected and grounded in accordance with local codes. In the absence of local codes, use the current CSA C22.1 CANADIAN ELECTRICAL CODE in Canada or the ANSI/NFPA 70 NATIONAL ELECTRICAL CODE in the United States.

**Purge all gas lines with the glass door of the fireplace open. Assure that a continuous gas flow is at the burner before closing the door.**

**Under extreme vent configurations, allow several minutes (5-15) for the flame to stabilize after ignition.**

Provide adequate ventilation and combustion air. Provide adequate accessibility clearance for servicing and operating the fireplace. Never obstruct the front opening of the fireplace.

Objects placed in front of the fireplace must be kept a minimum of 48" from the front face of the unit.

**Minimum clearance to combustible construction from fireplace and vent surfaces:**

- fireplace framing - 0" to stand-offs (top, rear and sides)
- fireplace finishing - 4 3/4" to sides, firebox opening.  
21" to top of fireplace opening.

- vent pipe - 2 inches
- recessed depth - 29 inches

## GENERAL INFORMATION

*FOR YOUR SATISFACTION, THIS FIREPLACE HAS BEEN TEST-FIRED TO ASSURE ITS OPERATION AND QUALITY!*

Maximum input is 50,000 BTU/hr for both natural gas and propane. When the fireplace is installed at elevations above 4,500ft, and in the absence of specific recommendations from the local authority having jurisdiction, the certified high altitude input rating shall be reduced at the rate of 4% for each additional 1,000ft. Maximum output for natural gas is 33,540 BTU/hr at an efficiency of 63%; and 34,000 BTU/hr for propane at an efficiency of 61%. Minimum inlet gas supply pressure is 4.5 inches water column for natural gas and 11 inches water column for propane. Maximum inlet gas pressure is 7 inches water column for natural gas and 13 inches water column for propane. Manifold pressure under flow conditions is 3.5 inches water column for natural gas and 10 inches water column for propane.

This fireplace is approved for bathroom, bedroom and bed-sitting room installations and is certified for mobile home installation. The natural gas model can only be installed in a mobile home that is permanently positioned on its site and fueled with natural gas.

**This fireplace is only for use with the type of gas indicated on the rating plate. This fireplace is not convertible for use with other gases, unless a certified kit is used.**

**No external electricity (110 volts or 24 volts) is required for the gas system operation.**

Expansion / contraction noises during heating up and cooling down cycles are normal and are to be expected. Change in flame appearance from "HI" to "LO" is more evident in natural gas than in propane.

## CARE OF GLASS, AND PLATED PARTS

Do not use abrasive cleaners to clean glass. Buff lightly with a clean dry cloth. The glass is 3/16" tempered glass available from your NAPOLEON® / Wolf Steel Ltd. dealer. DO NOT SUBSTITUTE MATERIALS. Clean the glass after the first 10 hours of operation with a recommended gas fireplace glass cleaner. Thereafter clean as required. DO NOT CLEAN GLASS WHEN HOT! If the glass is not kept clean permanent discoloration and / or blemishes may result.



We suggest that our gas hearth products be installed and serviced by professionals who are certified in the U.S. by the National Fireplace Institute® (NFI) as NFI Gas Specialists.

## VENTING

**Note:** If for any reason the vent air intake system is disassembled; reinstall per the instructions provided for the initial installations.

### VENTING LENGTHS & AIR TERMINAL LOCATIONS

For safe and proper operation of the fireplace follow the venting instruction exactly.

Deviation from the minimum vertical vent length can create difficulty in burner start-up and/or carboning.

Provide a means for visually checking the vent connection to the fireplace after the fireplace is installed.

Vent lengths that pass through unheated spaces (attics, garages, crawl spaces) should be insulated with the insulation wrapped in a protective sleeve to minimize condensation.

When using NAPOLEON® venting components, use only approved Wolf Steel Ltd. flexible vent components with the following termination kits: WALL TERMINAL KIT **GD622**, or 1/12 TO 7/12 PITCH ROOF TERMINAL KIT **GD610**, 8/12 TO 12/12 ROOF TERMINAL KIT **GD611**, FLAT ROOF TERMINAL KIT **GD612**. With flexible venting, in conjunction with the various terminations, use either the 5 foot vent kit **GD620** or the 10 foot vent kit **GD630**. These vent kits allow for either horizontal or vertical venting of the fireplace.

**The maximum allowable vertical vent length is 40 feet.** The maximum number of allowable 8" vent connections is **three horizontally or vertically** (excluding the fireplace and the air terminal connections).

For optimum flame appearance and fireplace performance, keep the vent length and number of elbows to a minimum. The air terminal must remain unobstructed at all times. Examine the air terminal at least once a year to verify that it is unobstructed and undamaged.

When venting, the horizontal run must be kept to a **minimum of 16 inches** or a **maximum of 20 feet**. If a 20 foot horizontal run is required, the fireplace must have a **minimum vertical rise immediately off the fireplace of 57 inches**. FIGURES 2a-c. When terminating vertically, the vertical rise is a minimum 34 inches and a maximum 40 feet above the fireplace. FIGURE 3.

FIGURES 2A-B

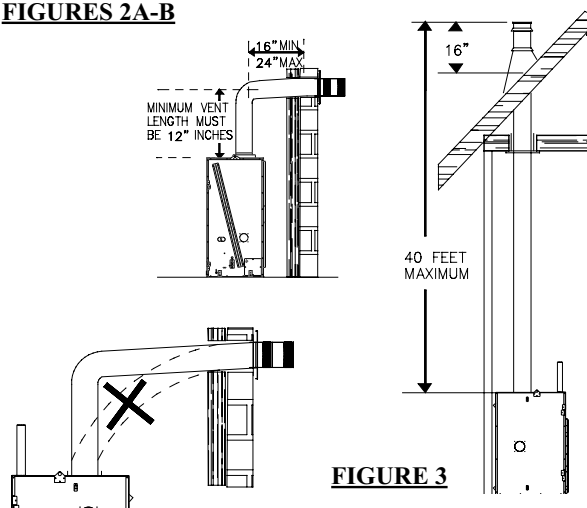


FIGURE 3

For optimum performance, it is recommended that all horizontal runs have a minimum 1/4 inch rise per foot.

Provide a means for visually checking the vent connection to the fireplace after the fireplace is installed.

Do not allow the inside liner to bunch up on horizontal or vertical runs and elbows. Keep it pulled tight. A 3/4" air gap between the inner and outer liner all around is required for safe operation.

Use a firestop when penetrating interior walls, floor or ceiling.

For safe and proper operation of the fireplace follow the venting instruction exactly.

If vertical rises greater than 57 inches are necessary, the increased rise must be deducted from the horizontal run.

**DEFINITIONS**

for the following symbols used in the venting calculations and examples are:

- > - greater than
- ≥ - equal to or greater than
- < - less than
- ≤ - equal to or less than
- H<sub>T</sub>** - total of both horizontal vent lengths (**H<sub>R</sub>**) and offsets (**H<sub>O</sub>**) in feet
- H<sub>R</sub>** - combined horizontal vent lengths in feet
- H<sub>O</sub>** - offset factor: .03 (total degrees of offset - 90°\*) in feet
- V<sub>T</sub>** - combined vertical vent lengths in feet

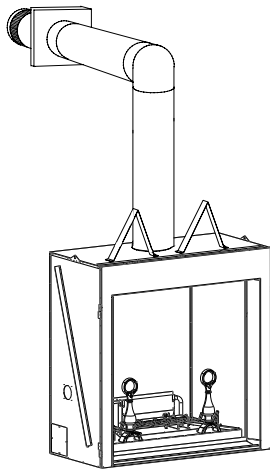
**ELBOW VENT LENGTH VALUES**

	feet	inches
1°	0.03	0.5
15°	0.45	6.0
30°	0.9	11.0
45°	1.35	16.0
90°*	2.7	32.0

\* the first 90° offset has a zero value and is shown in the formula as -90°

**TOP EXIT / HORIZONTAL TERMINATION**

When (**H<sub>T</sub>**) < (**V<sub>T</sub>**)  
Simple venting configuration (only one 90° elbow)



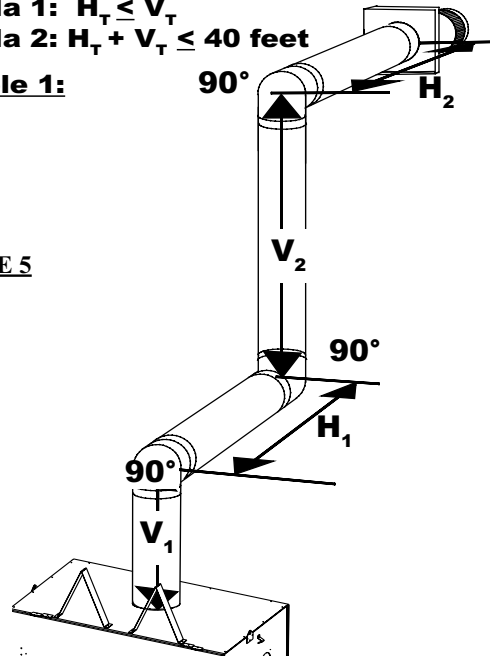
**FIGURE 4**

See graph to determine the required vertical rise **V<sub>T</sub>** for the required horizontal run **H<sub>T</sub>**.

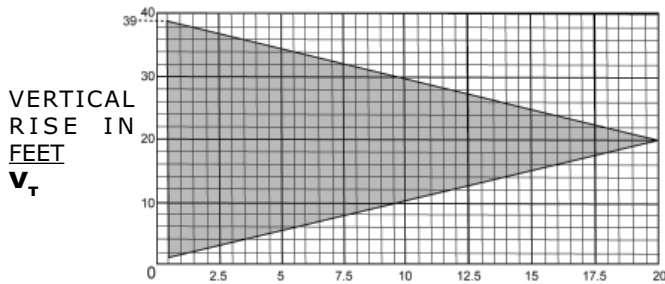
For vent configurations requiring more than one 90° elbow, the following formulas apply:

- Formula 1: H<sub>T</sub> ≤ V<sub>T</sub>**
- Formula 2: H<sub>T</sub> + V<sub>T</sub> ≤ 40 feet**

**Example 1:**



**FIGURE 5**



HORIZONTAL VENT RUN PLUS OFFSET IN FEET **H<sub>T</sub>**  
*The shaded area within the lines represents acceptable values for H<sub>T</sub> and V<sub>T</sub>.*

- V<sub>1</sub>** = 3 ft
- V<sub>2</sub>** = 8 ft
- V<sub>T</sub>** = **V<sub>1</sub>** + **V<sub>2</sub>** = 3 + 8 = 11 ft
- H<sub>1</sub>** = 2.5 ft
- H<sub>2</sub>** = 2 ft
- H<sub>R</sub>** = **H<sub>1</sub>** + **H<sub>2</sub>** = 2.5 + 2 = 4.5 ft
- H<sub>O</sub>** = .03 (three 90° elbows - 90°) = .03(270° - 90°) = 5.4 ft
- H<sub>T</sub>** = **H<sub>R</sub>** + **H<sub>O</sub>** = 4.5 + 5.4 = 9.9 ft

**H<sub>T</sub> + V<sub>T</sub>** = 9.9 + 11 = 20.9 ft

- Formula 1: **H<sub>T</sub> ≤ V<sub>T</sub>**  
9.9 ≤ 11
- Formula 2: **H<sub>T</sub> + V<sub>T</sub> ≤ 40 feet**  
20.9 ≤ 40

Since both formulas are met, this vent configuration is acceptable.

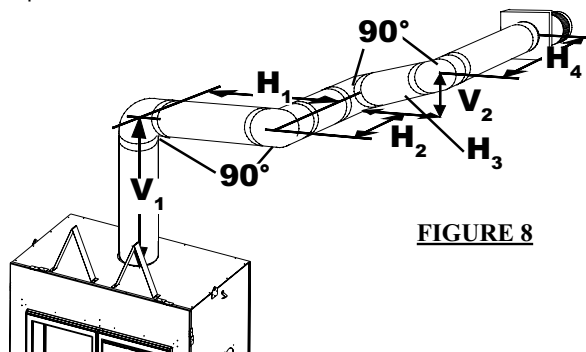
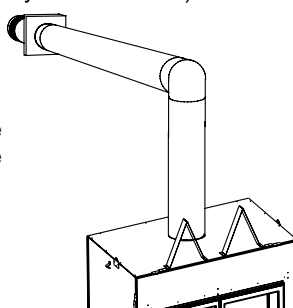
# TOP EXIT / HORIZONTAL TERMINATION

when  $(H_T) > (V_T)$   
 Simple venting configuration (only one 90° elbow)

ceptable.

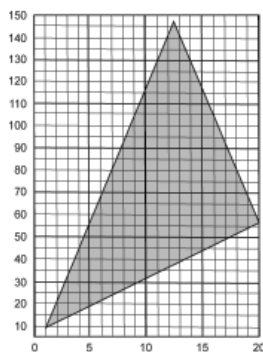
**FIGURE 6**

See graph to determine the required vertical rise  $V_T$  for the required horizontal run  $H_T$ .



**FIGURE 8**

REQUIRED VERTICAL RISE IN INCHES  $V_T$



HORIZONTAL VENT RUN PLUS OFFSET IN FEET  $H_T$   
 The shaded area within the lines represents acceptable values for  $H_T$  and  $V_T$ .

For vent configurations requiring more than one 90° elbow the following formulas apply:

Formula 1:  $H_T \leq 4.2 V_T$

Formula 2:  $H_T + V_T \leq 24.75$  feet

**Example 3:**

$V_1 = 4$  ft  
 $V_2 = 1.5$  ft  
 $V_T = V_1 + V_2 = 4 + 1.5 = 5.5$  ft  
 $H_1 = 2$  ft  
 $H_2 = 1$  ft  
 $H_3 = 1$  ft  
 $H_4 = 1.5$  ft  
 $H_R = H_1 + H_2 + H_3 + H_4 = 2 + 1 + 1 + 1.5 = 5.5$  ft  
 $H_O = .03$  (four 90° elbows - 90°) =  $.03(360 - 90) = 8.1$  ft  
 $H_T = H_R + H_O = 5.5 + 8.1 = 13.6$  ft  
 $H_T + V_T = 13.6 + 5.5 = 19.1$  ft

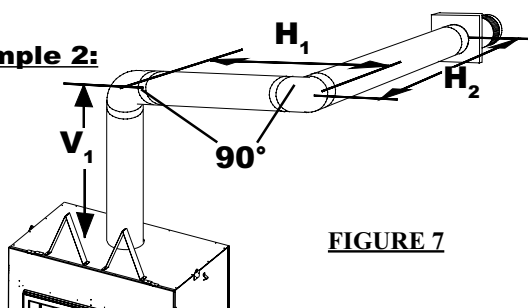
Formula 1:  $H_T \leq 4.2 V_T$   
 $4.2 V_T = 4.2 \times 5.5 = 23.1$  ft

$13.6 \leq 23.1$

Formula 2:  $H_T + V_T \leq 24.75$  feet  
 $19.1 \leq 24.75$

Since both formulas are met, this vent configuration is acceptable.

**Example 2:**



**FIGURE 7**

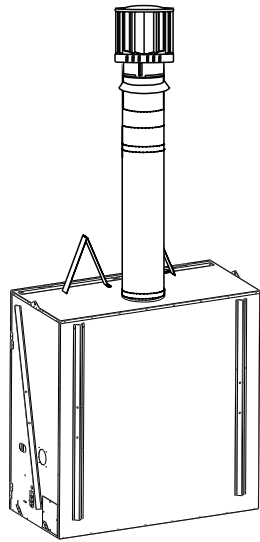
$V_1 = V_T = 6$  ft  
 $H_1 = 3$  ft  
 $H_2 = 5$  ft  
 $H_R = H_1 + H_2 = 3 + 5 = 8$  ft  
 $H_O = .03$  (two 90° elbows - 90°) =  $.03(180 - 90) = 2.7$  ft  
 $H_T = H_R + H_O = 8 + 2.7 = 10.7$  ft  
 $H_T + V_T = 10.7 + 6 = 16.7$   
 Formula 1:  $H_T \leq 4.2 V_T$   
 $4.2 V_T = 4.2 \times 6 = 25.2$  ft  
 $10.7 \leq 25.2$   
 Formula 2:  $H_T + V_T \leq 24.75$  feet  
 $16.7 \leq 24.75$

Since both formulas are met, this vent configuration is acceptable.

# TOP EXIT VERTICAL TERMINATION

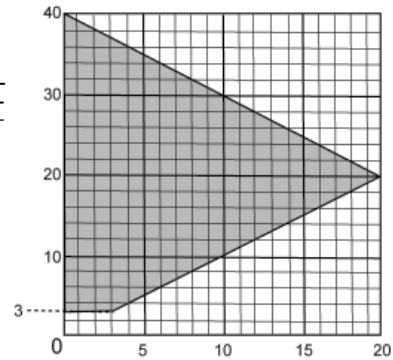
when  $(H_T) \leq (V_T)$

**FIGURE 9**



See graph to determine the required vertical rise  $V_T$  for the required horizontal run  $H_T$ .

REQUIRED VERTICAL RISE IN FEET  $V_T$



HORIZONTAL VENT RUN PLUS OFFSET IN FEET  $H_T$   
*The shaded area within the lines represents acceptable values for  $H_T$  and  $V_T$ .*

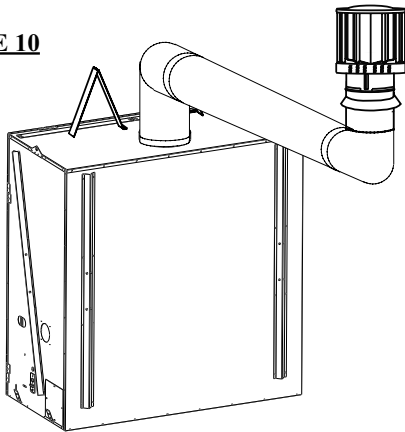
For vent configurations requiring more than zero 90° elbow (top exit) or one 90° elbow (rear exit), the following formulas apply:

- Formula 1:**  $H_T \leq V_T$
- Formula 2:**  $H_T + V_T \leq 40$  feet

# TOP VERTICAL TERMINATION

when  $(H_T) > (V_T)$   
 Simple venting configurations

**FIGURE 10**

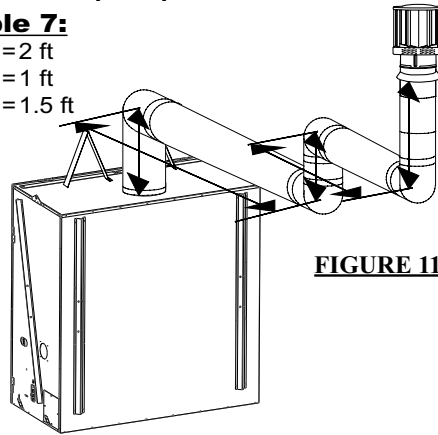


See graph to determine the required vertical rise  $V_T$  for the required horizontal run  $H_T$ .  
 For vent configurations requiring more than two 90° elbow (top exit) or one 90° elbow (rear exit), the following formulas apply:

- Formula 1:**  $H_T \leq 3V_T$
- Formula 2:**  $H_T + V_T \leq 40$  feet

**Example 7:**

- $V_1 = 2$  ft
- $V_2 = 1$  ft
- $V_3 = 1.5$  ft



**FIGURE 11**

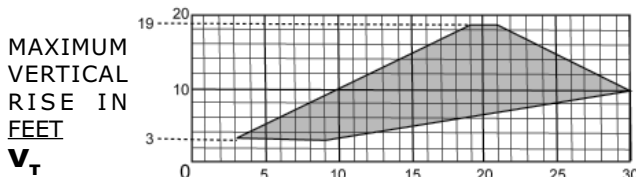
$$\begin{aligned}
 V_T &= V_1 + V_2 + V_3 = 2 + 1 + 1.5 = 4.5 \text{ ft} \\
 H_1 &= 6 \text{ ft} \\
 H_2 &= 2 \text{ ft} \\
 H_R &= H_1 + H_2 = 6 + 2 = 8 \text{ ft} \\
 H_O &= .03 (\text{four } 90^\circ \text{ elbows} - 90^\circ) \\
 &= .03(90 + 90 + 90 + 90 - 90) = 8.1 \text{ ft} \\
 H_T &= H_R + H_O = 8 + 8.1 = 16.1 \text{ ft} \\
 H_T + V_T &= 16.1 + 4.5 = 20.6 \text{ ft}
 \end{aligned}$$

Formula 1:  $H_T \leq 3V_T$   
 $3V_T = 3 \times 4.5 = 13.5$   
 $16.1 > 13.5$

Since this formula is not met, this vent configuration is **unacceptable**.

Formula 2:  $H_T + V_T \leq 40$  feet  
 $20.6 \leq 40$

Since only formula 2 is met, this vent configuration is unacceptable and a new fireplace location or vent configuration will need to be established to satisfy both formulas.



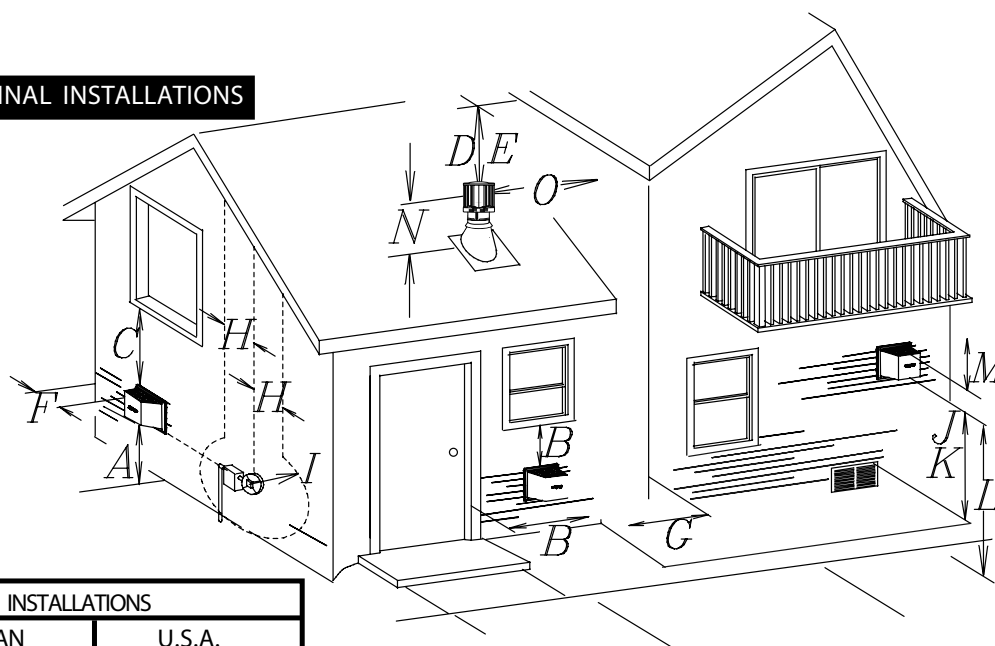
HORIZONTAL VENT RUN PLUS OFFSET IN FEET  $H_T$

*The shaded area within the lines represents acceptable values for  $H_T$  and  $V_T$ .*



## AIR TERMINAL INSTALLATIONS

**FIGURE 12**



	INSTALLATIONS		
	CANADIAN	U.S.A.	
A	12 INCHES	12 INCHES	Clearance above grade, veranda porch, deck or balcony.
B	12 INCHES	9 INCHES	Clearance to windows or doors that open.
C	12 INCHES*	12 INCHES*	Clearance to permanently closed windows.
D	18 INCHES**	18 INCHES**	Vertical clearance to ventilated soffit located above the terminal within a horizontal distance of 2 feet from the centerline of the terminal.
E	12 INCHES**	12 INCHES**	Clearance to unventilated soffit.
F	0 INCHES	0 INCHES	Clearance to an outside corner wall.
G	0 INCHES***	0 INCHES***	Clearance to an inside <b>non-combustible</b> corner wall or protruding <b>non-combustible</b> obstructions (chimney, etc.).
	2 INCHES***	2 INCHES***	Clearance to an inside combustible corner wall or protruding combustible obstructions ( vent chase, etc.).
H	3 FEET	3 FEET****	Clearance to each side of the centerline extended above the meter / regulator assembly to a maximum vertical distance of 15ft.
I	3 FEET	3 FEET****	Clearance to a service regulator vent outlet.
J	12 INCHES	9 INCHES	Clearance to a non-mechanical air supply inlet to the building or a combustion air inlet to any other appliance.
K	6 FEET	3 FEET†	Clearance to a mechanical air supply inlet.
L	7 FEET‡	7 FEET****	Clearance above a paved sidewalk or paved driveway located on public property unless fitted with a heat shield kit GD-301.
M	12 INCHES††	12 INCHES****	Clearance under a veranda, porch, deck or balcony.
N	16 INCHES	16 INCHES	Clearance above the roof.
O	2 FEET†*	2 FEET†*	Clearance from an adjacent wall including neighbouring buildings.

\* Recommended to prevent condensation on windows and thermal breakage

\*\* It is recommended to use a heat shield and to maximize the distance to vinyl clad soffits.

\*\*\* The periscope GD-401 requires a minimum 18 inches clearance from an inside corner.

\*\*\*\* This is a recommended distance. For additional requirements check local codes.

† Three feet above if within 10 feet horizontally.

‡ A vent shall not terminate directly above a sidewalk or paved driveway that is located between two single family dwellings and serves both dwellings.

†† Permitted only if the veranda, porch, or deck is fully open on a minimum of two sides beneath the floor.

†\* Recommended to prevent recirculation of exhaust products. For additional requirements check local codes.

# INSTALLATION

## WALL AND CEILING PROTECTION

For optimum performance it is recommended that all horizontal runs have a minimum of 1/4" rise per foot using flexible venting.

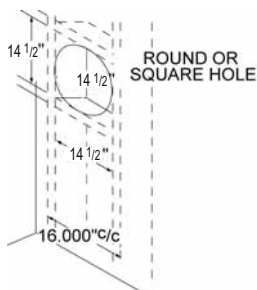
For safe and proper operation of the fireplace, follow the venting instructions exactly.

**HORIZONTAL TERMINATION:** A clearance to combustibles of 2" must be maintained when penetrating combustible walls. The firestop spacer (W615-0075) supplied with the unit should be used to maintain this clearance.

### HORIZONTAL INSTALLATION

This application occurs when venting through an exterior wall. Having determined the air terminal location, cut and frame a hole in an exterior wall. The recommended framed opening is 14 1/2" W x 14 1/2" H with a minimum 14 1/2" round or square opening inside a finished wall.

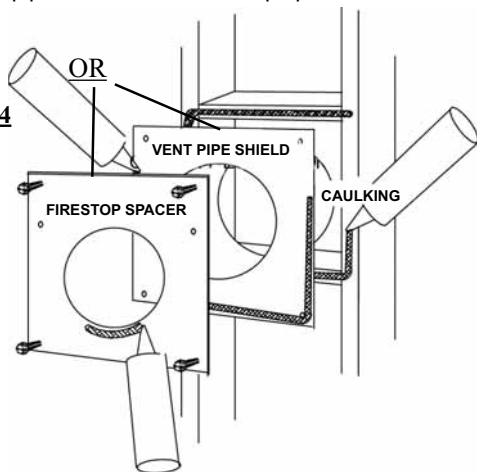
**FIGURE 13**



See figure 15.

1. Mark and cut the vent pipe shield to the determined depth of the combustible wall. Apply a bead of caulking (not supplied) to the framework or to the shield plate (in the case of a finished wall) and secure the shield through the opening to the interior wall. *The final location of the vent pipe shield should maintain the required clearance to the 10" vent pipe / liner.* (See note above). Do not fill this cavity with any type of material. Apply a bead of caulking around the firestop spacer then along the edge of the vent shield to restrict cold air from being drawn into the room or around the fireplace. Ensure that both spacer and shield maintain the required clearance to combustibles. Once the vent pipe / liner is installed in its final position, apply sealant between the pipe / liner and the firestop spacer.

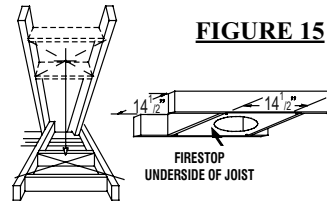
**FIGURE 14**



SHOWN FROM INSIDE THE STRUCTURE

### VERTICAL INSTALLATION

This application occurs when venting through a roof. Installation kits for various roof pitches are available from your NA-POLEON® dealer. See Accessories to order the specific kit required.

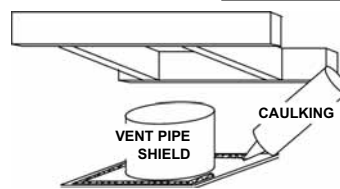


**FIGURE 15**

1. Determine the air terminal location, cut and frame 14 1/2" W x 14 1/2" H openings in the ceiling and the roof to provide the minimum 2 inch clearance between the fireplace pipe / liner and any combustible material. Try to centre the exhaust pipe location midway between two joist to prevent having to cut them. Use a plumb bob to line up the centre of the openings. **DO NOT FILL THIS SPACE WITH ANY TYPE OF MATERIAL.**

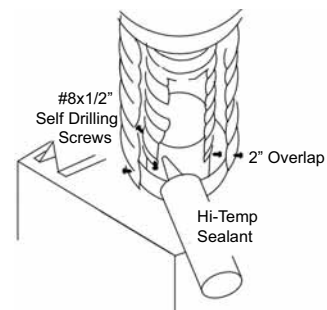
**FIGURE 16**

A vent pipe shield will prevent any materials such as insulation, from filling up the 1" air space around the pipe. Nail headers between the joist for extra support.



2. Apply a bead of caulking (not supplied) to the framework or to the Wolf Steel vent pipe shield plate or equivalent (in the case of a finished ceiling), and secure over the opening in the ceiling. A firestop must be placed on the bottom of each framed opening in a roof or ceiling that the venting system passes through. Apply a bead of caulking all around and place a firestop spacer over the vent shield to restrict cold air from being drawn into the room or around the fireplace. Ensure that both spacer and shield maintain the required clearance to combustibles. Once the vent pipe / liner is installed in its final position, apply sealant between the pipe / liner and the firestop spacer.

3. In the attic, after the pipe / liner has been installed, slide the vent pipe collar down to cover up the open end of the shield and tighten. This will prevent any materials, such as insulation, from filling up the 1" air space around the pipe.



**FIGURE 17**

## USING FLEXIBLE VENT COMPONENTS

Use only approved aluminum flexible liner kits marked:



"Wolf Steel Approved Venting" as identified by the stamp only on the 10" outer liner.

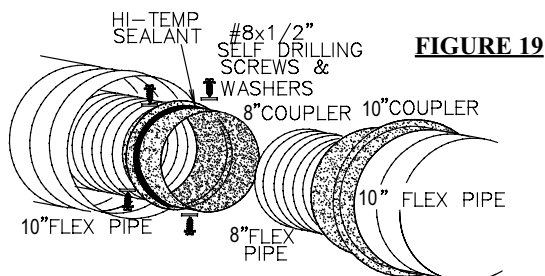
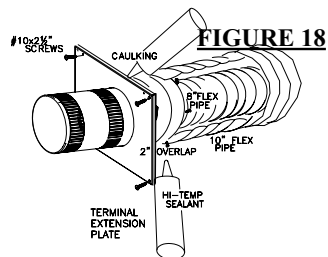
For safe and proper operation of the fireplace, follow the venting instructions exactly.

All inner exhaust and outer intake vent pipe joists may be sealed using either Red RTV high temp silicone sealant or Black high temp Mill Pac with the exception of the fireplace exhaust flue collar which must be sealed using Mill Pac (not supplied).

### HORIZONTAL AIR TERMINAL INSTALLATION

**Note:** Direct vent terminals shall not be recessed into a wall or siding.

1. Cut or frame a hole in an exterior wall with a minimum round or square opening of 14 1/2" W x 14 1/2" H. Secure the firestop spacer over the opening to the interior wall.
2. Stretch the 8" diameter flexible aluminum liner to the required length taking into account the additional length needed for the finished wall surface. Slip the liner a minimum of 2" over the inner sleeve of the air terminal and secure with 6 #8 screws. Apply a heavy bead of the high temperature sealant (W573-0007 not provided).
3. Using the 10" diameter flexible aluminum liner, slide over the outer combustion air sleeve of the air terminal and secure with 6 #8 screws. Seal as before.



4. Insert the liners through the firestop maintaining the required clearance to combustibles. Secure to the exterior wall and make weather tight by sealing with caulking (not supplied).

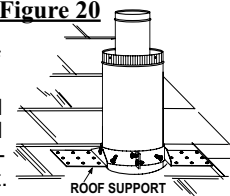
5. Apply a heavy bead of the high temperature sealant, not supplied with the unit, to the inside of the 8" liner approximately 1" from the end. Slip the liner a minimum of 2" over the fireplace vent collar and secure with 6 #8 screws.

6. If more than one liner is run we recommend supporting every 5ft.

7. Using the 10" diameter flexible aluminium liner, apply sealant, slide a minimum of 2" over the fireplace combustion air collar and secure with 6 #8 screws.

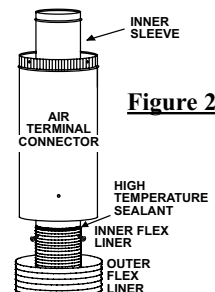
### VERTICAL AIR TERMINAL INSTALLATION

1. Move the fireplace into position. **Figure 20**
2. Fasten the roof support to the roof using the screws provided. The roof support is optional. In this case the venting is to be adequately supported using either an alternate method suitable to the authority having jurisdiction or the optional roof support. **(Figure 20)**



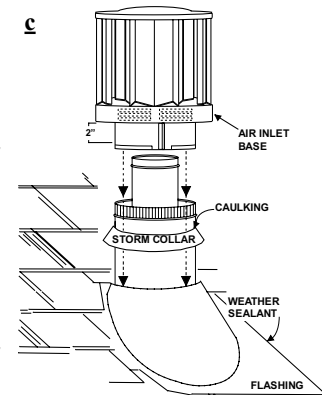
3. Stretch the inner aluminum flex liner to the required length. Slip the liner a minimum of 2" over the inner sleeve of the air terminal connector and secure with 6 #8 screws. Seal using a heavy bead of the high temperature sealant. **(Figure 21)**
4. Repeat using the outer aluminum flex liner. **(Figure 21)**

5. Thread the air terminal connector / liner assembly down through the roof. The air terminal must be located vertically and plumb. Attach the air terminal connector to the roof support, ensuring that the top of the air terminal is 16" above the highest point that it penetrates the roof. **(Figure 22)** If the attic space is tight, we recommend threading the Wolf Steel vent pipe collar or equivalent loosely onto the air terminal assembly as it is passed through the attic.



**DO NOT CLAMP THE FLEXIBLE ALUMINIUM LINER.**

6. Remove nails from the shingles, above and to the sides of the chimney. Place the flashing over the air terminal connector leaving a min. 3/4" of the air terminal connector showing above the top of the flashing. Slide the flashing underneath the sides and upper edge of the shingles. Ensure that the air terminal connector is properly centred within the flashing, giving a 3/4" margin all around. Fasten to the roof. Do not nail through the lower portion of the flashing. Make weather-tight by sealing with caulking. Where possible, cover the sides and top edges of the flashing with roofing material. **(Figure 22)**



7. Aligning the seams of the terminal and air terminal connector, place the terminal over the air terminal connector making sure the liner goes into the hole in the terminal. Secure with the three screws provided. **(Figure 22)**

8. Apply a heavy bead of weatherproof caulking 2 inches above the flashing. Note: Maintain a minimum 2" space between the air inlet base and the storm collar. Install the storm collar around the air terminal connector and slide down to the caulking. Tighten to ensure that a weather-tight seal between the air terminal connector and the collar is achieved. **(Figure 22)**

W415-0614 / A / 07.24.07

**FIREPLACE VENT CONNECTION**

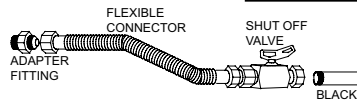
1. Install the 8" diameter flexible aluminium liner to the fireplace. Secure with 3 screws. Seal the joint and screw holes using the high temperature sealant (W573-0007 not provided).
2. Install the 10" diameter flexible aluminium liner to the fireplace. Attach and seal the joints.

**GAS INSTALLATION**

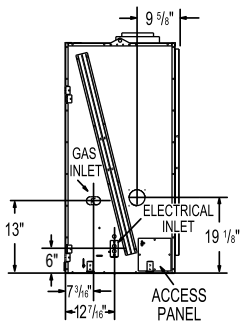
Proceed once the vent installation is complete.

**Note :** All gas connections must be contained within the fireplace when complete.

1. The fireplace is designed to accept a 1/2" gas supply line. The fireplace is equipped with a 1/2" manual shut-off valve, and an 18" listed flexible gas connector.



**FIGURE 23**



**FIGURE 24**

2. The access to the gas inlet is located on the right side of the outer shell.
3. To ease the connection, the shut off can be flexed out through the side of the fireplace where the connection can be made.

4. When flexing any gas line, support the gas valve so that

the lines are not bent. (see Access Pg. 20).

5. Check for gas leaks by brushing on a soap and water solution. Do not use open flame.

**MOBILE HOME INSTALLATION**

This appliance is certified to be installed as an OEM (Original Equipment Manufacturer) installation in a manufactured home or mobile home and must be installed in accordance with the manufacturer's instructions and the Manufactured Home Construction and Safety Standard, Title 24 CFR, Part 3280, in the United States or the Mobile Home Standard, CAN/CSA Z240 MH Series, in Canada. This appliance is only for use with the type(s) of gas indicated on the rating plate. A conversion kit is supplied with the mobile home appliance.

This Mobile/Manufactured Home Listed appliance comes factory equipped with a means to secure the unit.

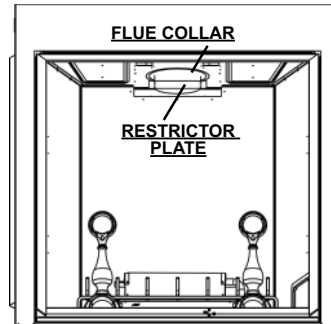
The fireplace is equipped with two 1/4" diameter holes located in the front left and right corners of the base. For mobile home installations, the fireplace must be fastened in place. Use #10 hex head screws, inserted through the holes in the base to secure.

**Always turn off the pilot and the fuel supply at the source, prior to moving the mobile home.**

**After moving the mobile home and prior to lighting the fireplace, ensure that the logs are positioned correctly.**

This appliance is certified to be installed in an aftermarket permanently located manufactured (mobile) home, where not prohibited by local codes.

**RESTRICTING VERTICAL VENTS**



**FIGURE 25**

Vertical terminations may display a very active flame. If this appearance is not desirable, the vent exit must be restricted using restrictor plate, W500-0321. This reduces the velocity of the exhaust gases, slowing down the flame pattern and creating a more traditional appearance.

The plate has a series of holes to allow for adjustment. Remove the two screws on either side of the exhaust collar inside the firebox. Install the plate in the desired set of holes, then replace the screws.

It is recommended to secure in the third set of holes which causes the greatest amount of restriction for vent lengths between 15 and 30 feet.

**FRAMING**

The *Dream*™ can be installed with a rectangular opening. It is best to frame your fireplace after it is positioned and the vent system is installed. Use 2x4's and frame to local building codes.

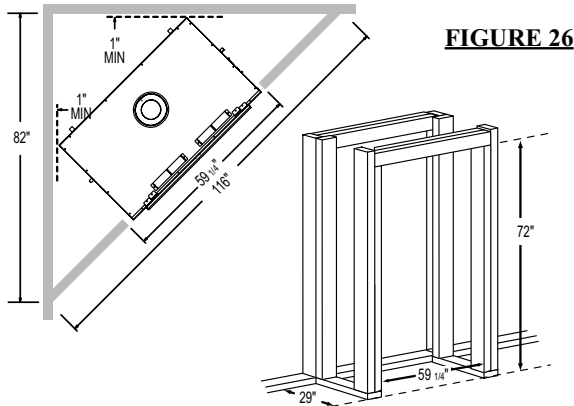
**Note:** In order to avoid the possibility of exposed insulation or vapour barrier coming in contact with the fireplace body, it is recommended that the walls of the fireplace enclosure be "finished" (ie: drywall/sheetrock), as you would finish any other outside wall of a home. This will ensure that clearance to combustibles is maintained within the cavity.

**For convenience, the stand-offs have been shipped flat. Before framing, the stand-offs are opened and screwed in place.**

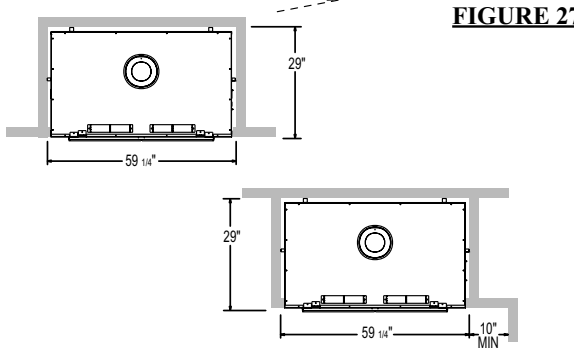
It is not necessary to install a hearth extension, but the fireplace should be raised to be flush with either the hearth or the finished floor.

When roughing in the fireplace, raise the fireplace to accommodate for the thickness of the finished floor materials, i.e. tile, carpeting, hard wood, which if not planned for will interfere with the removal of the hearth strip, which must be removed to access the firebox.

Objects placed in front of the fireplace should be kept a minimum of 48" away from the front face.



**FIGURE 26**



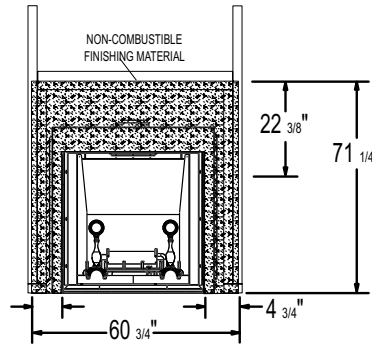
**FIGURE 27**

**CLEARANCE TO COMBUSTIBLES**

**MAINTAIN THESE MINIMUM CLEARANCES TO COMBUSTIBLES:**

- Fireplace framing - 0" to stand-offs (top, rear & sides)
- Fireplace finishing - 4 3/4" to sides of fireplace opening.
- 22 3/8" to top of fireplace opening.

**FIGURE 28**



Non-combustible finishing material (ie: cement board, brick, stone, tile) must be used to finish the front facing of the unit.

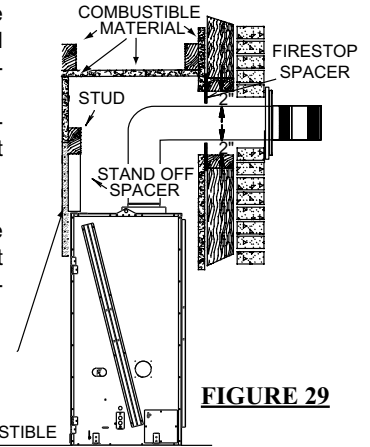
**IMPORTANT:**

The *Dream*™ requires a minimum inside enclosure height of 72". Measured from the bottom of the fireplace.

For temperature requirements, this area must be left unobstructed.

It is recommended that the enclosure be ventilated at the top and bottom to circulate the hot air.

\*Non combustible material must extend 72" at which top of enclosure can be combustible



**FIGURE 29**

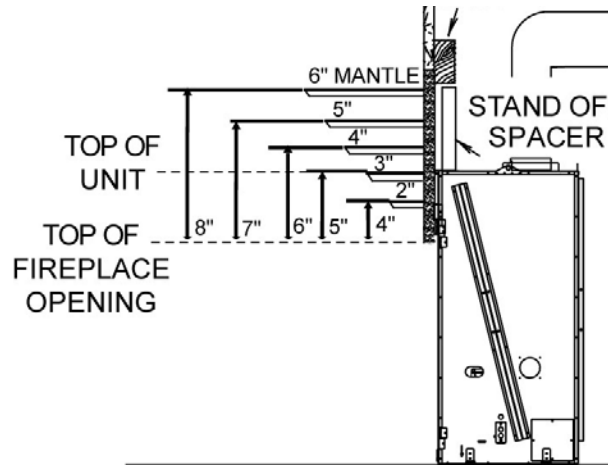
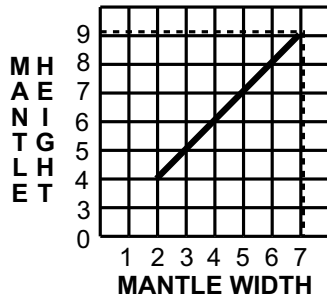
**WARNING**

**Facing and/or finishing material must never overhang into the fireplace opening.**

**MANTLE CLEARANCES**

Combustible mantle clearance can vary according to the mantle depth. Use the graph to help evaluate the clearance needed.

**FIGURE 30**



**ELECTRICAL CONNECTION**

Do NOT use the fireplace if any part has been under water.

Call a qualified service technician IMMEDIATELY to have the fireplace inspected for damage to the electrical circuit.

If access to the control area is necessary **BEFORE INSTALLATION**, remove the access panel. Located along the right side of firebox.

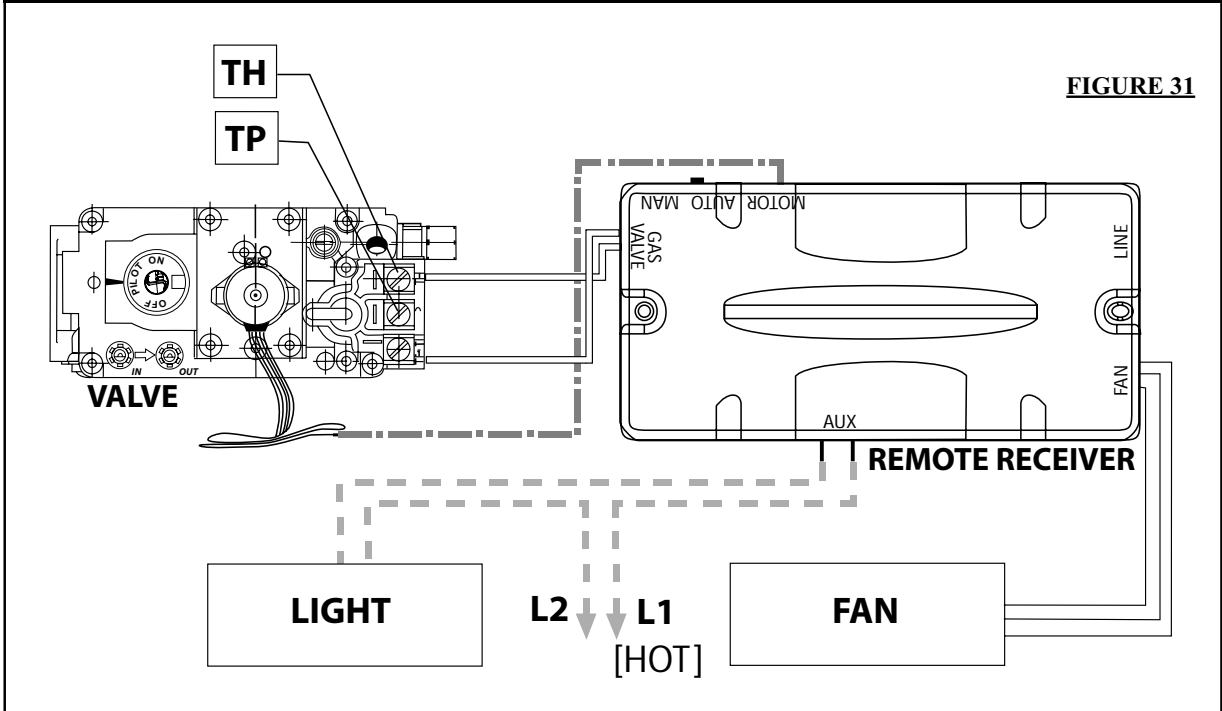
The access panel must be re-installed before operating the unit.

**HARD WIRING CONNECTION**

It is necessary to hard wire this fireplace. Permanently framing the fireplace with an enclosure, requires the fireplace junction box to be hard wired.

This fireplace must be electrically connected and grounded in accordance with local codes. In the absence of local codes, use the current CSA C22.1 CANADIAN ELECTRICAL CODE in Canada or the ANSI/NFPA 70-1996 NATIONAL ELECTRICAL CODE in the United States.

**SCHEMATIC**



**FIGURE 31**

W415-0614 / A / 07.24.07

## FINISHING

### DOOR REMOVAL

Before the glass door can be removed, the control doors must be opened and the hearth strip and screen assembly must be removed.

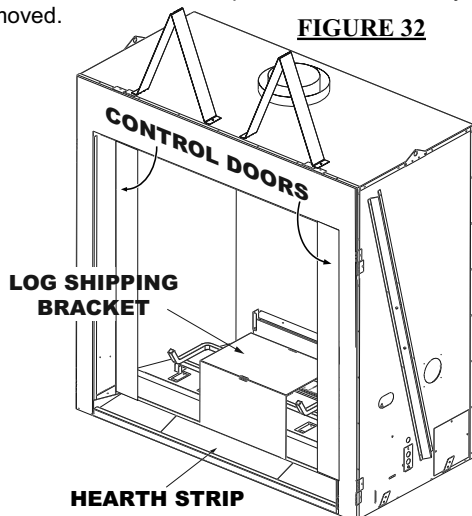


FIGURE 32

With the control doors pulled open, you can now lift the hearth strip up and away from the front of the fireplace. The curtain assembly can be removed by lifting the rod out from the three hooks at the top inside edge of the door opening.

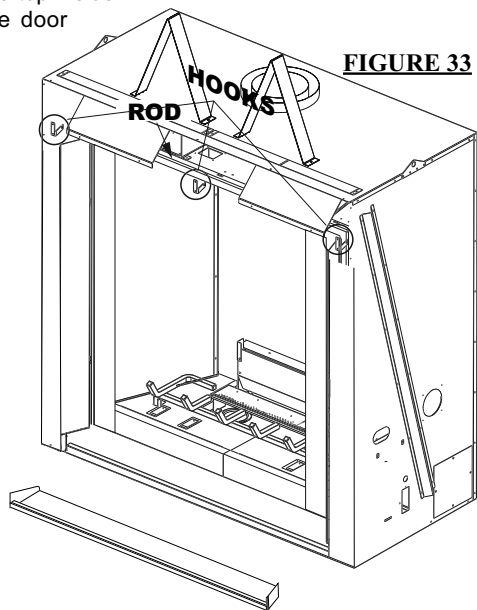


FIGURE 33

The glass door is secured to the firebox with 7 latches 2 on each side, and 3 across the top and 2 screws. Pull the handle of the latch forward, then lift the hooks out from the slot in the door frame to release the top and sides of the door. With a Screw Driver remove the 2 screws in the bottom corners of the door. Lift the door out from the retainer along the bottom of the door, we recommend 2 people remove door due to size and weight. Pull the bottom edge of the door out from the fireplace until the top will pivot forward. **Careful door is very heavy.**

DOOR

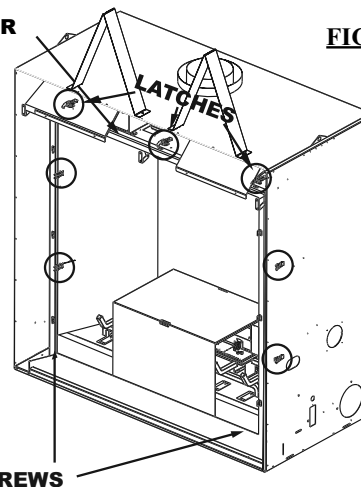
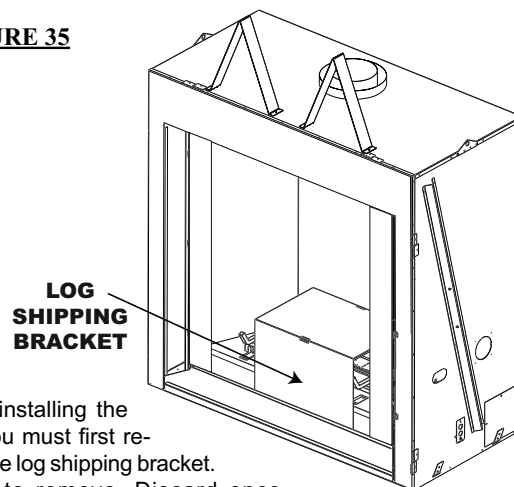


FIGURE 34

SCREWS

### LOG SHIPPING BRACKET

FIGURE 35



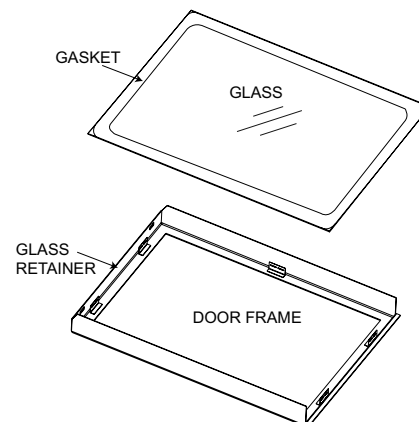
Before installing the logs, you must first remove the log shipping bracket. Lift up to remove. Discard once removed.

### GLASS/DOOR REPLACEMENT

1. Place the door frame face down careful not to scratch the paint.

2. Center the gasketed glass inside the door frame with the thick side of the gasket facing up.

3. Bend the glass retainers located along the edge of the door frame over the gasket holding the glass in place. Careful not to break the glass.



W415-0614 / A / 07.24.07

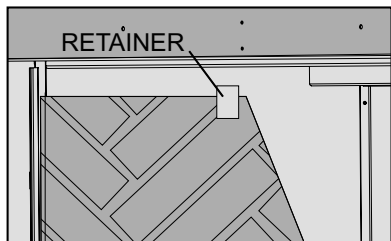
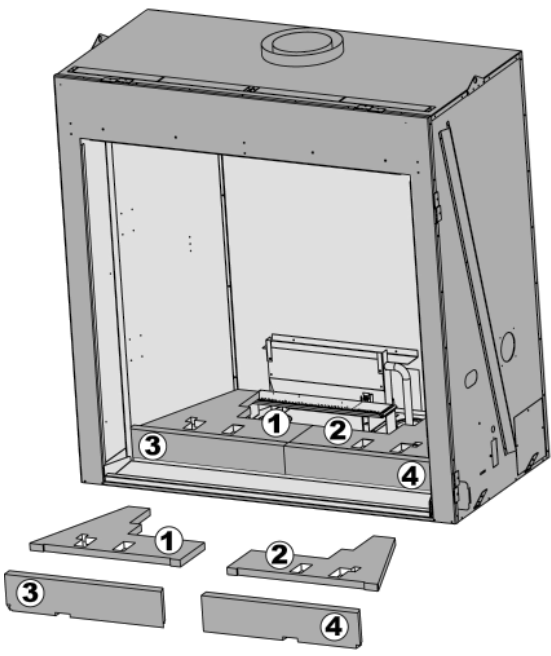
**BRICK PANEL INSTALLATION**

Brick panels are shipped separate from unit due to the brittle material of the bricks, care must be taken not to bend or force them into place.

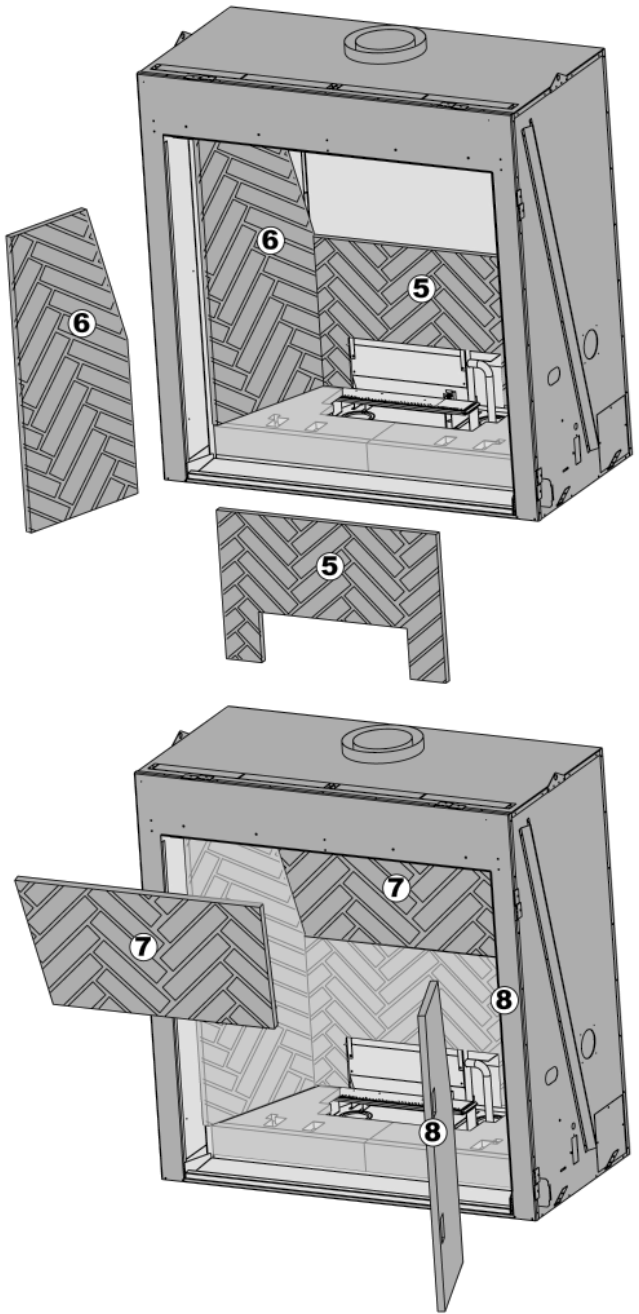
When shipped, the brick panels range in varying shades of Sandstone. During initial use, the panels will darken temporarily. The appearance of the panels will permanently lighten in colour with use.

**NOTE:** Refer to the FINISHING section of the BGD90NT/PT Installation Manual for instructions on removing the door and log shipping bracket before proceeding.

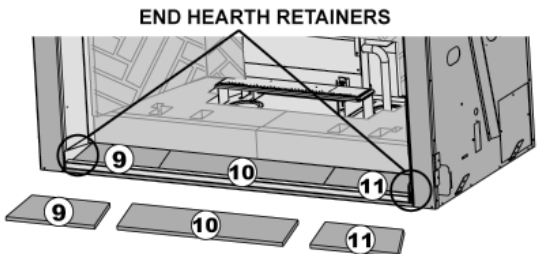
**INSTALL PANELS IN THE FOLLOWING ORDER:**



Secure the Left Panel ⑥ and Right Panel ⑧ using the retainers located in the top left and right corners of the firebox.



To install the Front Left ⑨, Centre ⑩, and Right ⑪ Hearth Panels you must first remove one of the Right or Left End Hearth Retainers.





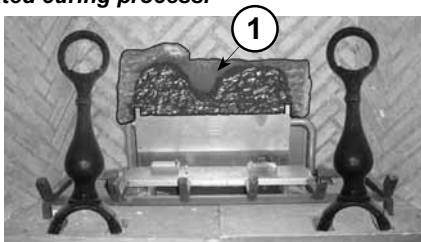
## ANDIRON PLACEMENT



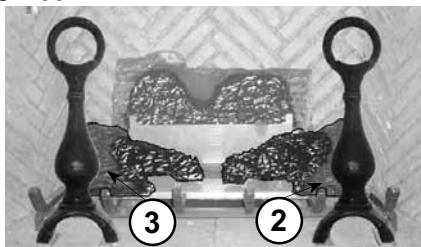
Andirons are packaged separately inside the unit and must be installed prior to the log installation. Place the Andiron on the Andiron brackets located at the front of the unit lining up the holes. Secure using the screws provided. Repeat on other side.

## LOG PLACEMENT

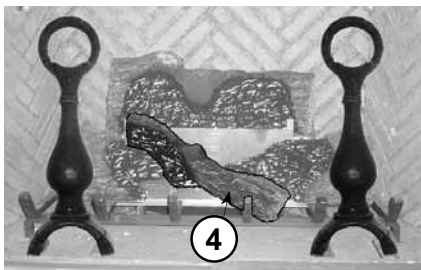
PHAZER™ logs and glowing embers, exclusive to NAPOLEON® Fireplaces, provide a unique and realistic glowing effect that is different in every installation. Take the time to carefully position the glowing embers for a maximum glowing effect. Log colours may vary. During the initial use of the fireplace, the colours will become more uniform as colour pigments burn in during the heat activated curing process.



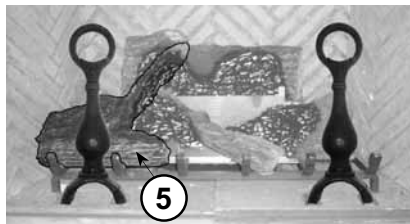
1. Center the rear log (#1) behind the rear burner and onto the log support.



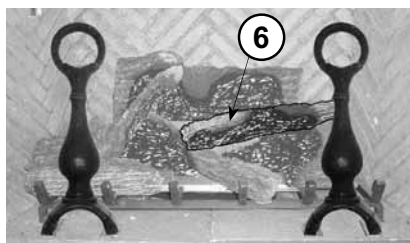
2. Place log#2 and log#3 onto the locating pins. The logs should sit flat on the burner.



3. Place the locating hole on the underside of log#4 onto the locating pin on top of log#3. The notch at the opposite end of log#4 sits on the third grate post in from the right side.



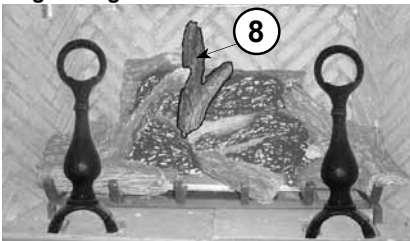
4. Place the small branch of log#5 into the notch on log#3. The notches on the bottom edge of log#5 should sit on the first and second grate posts from the left.



5. Place the small end of log#6 into the front notch of log#4. Place the locating hole in the large end of log#6 onto the locating pin on top of log#2.

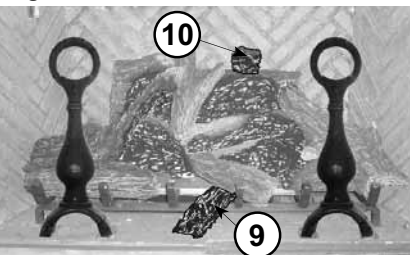


6. Place the pin in log#7 in the hole in log#6. The log should sit in the notch on log#2 and the bottom should rest along the right side of the Andiron.



7. Place the large end of log#8 into the rear notch of log#4.

The small branch of log#8 sits in the notch located on top of log#1.



8. Place log#9 onto the grate as though it had burnt off log#5. Place log#10 onto the locating pin on log#1. Again, log#10 should be aligned as though it has burnt off of log#7.

**CHARCOAL EMBERS**

Randomly place the charcoal embers along the front and sides of the Hearth Panels in a realistic manner. Fine dust found in the bottom of the bag should not be used.

**VERMICULITE**

Sprinkle vermiculite around the charcoal embers. Note: Both charcoal embers and vermiculite are not to be placed on the burner.

**GLOWING EMBERS**

Tear the embers into pieces and place along the front row of ports covering all of the burner area in front of the small logs (#2 & #3). Care should be taken to shred the embers into thin, small irregular pieces as only the exposed edges of the fibre hairs will glow. The ember material will only glow when exposed to direct flame; however, care should be taken to not block the burner ports. Blocked burner ports can cause an incorrect flame pattern, carbon deposits and delayed ignition. phazer™ logs glow when exposed to direct flame. Use only certified “glowing embers” and phazer™ logs available from your NAPOLEON® dealer.

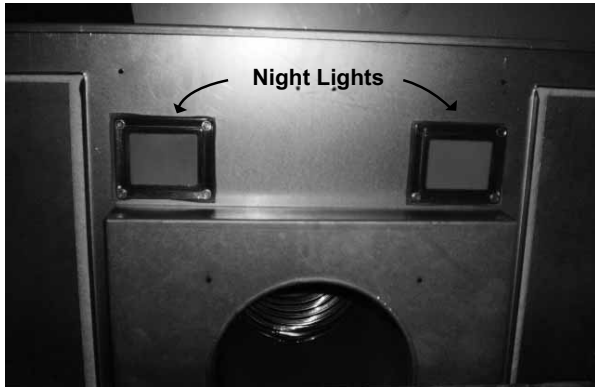
**NIGHT LIGHT REPLACEMENT**

Your Dream comes equipped with 2 “Night Lights™”. The lights have been pre-wired and is controlled from the remote control.

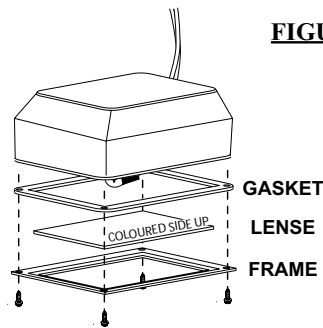
If in the event the lamps or lens need replacing, follow the instructions below.

Shut off breaker at main power supply.

Remove the four screws that secure the lens frame to the Firebox top. This frame retains the glass lens. The lamp can now be accessed.



FIREBOX TOP **FIGURE 36**



**FIGURE 37**

**Note:** Do not handle the lamp (bulb) with bare fingers, protect with a clean dry cloth.

The lamp will pull straight out of the socket. Replace with Wolf Steel parts only, as lamp and lens are special “high temperature” products.

When re-installing, ensure integrity of gasket seal.

**THE FIREBOX MUST BE SEALED.**

Over tightening the screws could break the lens. “Light Leakage” from the holes in the housing lamp may be observed. The holes in the lamp housing are necessary for ventilation and must not be covered.

## REMOTE AND VALVE ACCESS

The control area can be accessed either through the control door or through the access panel inside the firebox.

### INNER ACCESS PANEL

Follow the door removal instructions. Remove the right side panel. Remove the four screws from the access door.

**Note:** A new gasket will be required, when re-installing the access panel (see replacement parts).

### REMOTE RECEIVER REMOVAL

1. Open the right control door by pulling bottom portion away from magnet catch.
2. Remove the hearth strip by lifting up and away from unit.
3. Remove the receiver by pulling the left side of the plate away from the bracket.
4. Once disengaged pull the wiring harness out from the back of receiver.

### CONTROL MODULE REMOVAL

1. Remove access panel from inside the firebox.
2. Unplug the control module from the junction box
3. Pull up on the control module being held down with velcro and disconnect the plugs (fan, aux). Remove wiring harness from the front of casing.
4. Install the new control module (see schematic Pg.14).

### VALVE REMOVAL

The valve on The *Dream*™ is piped with two flex connectors

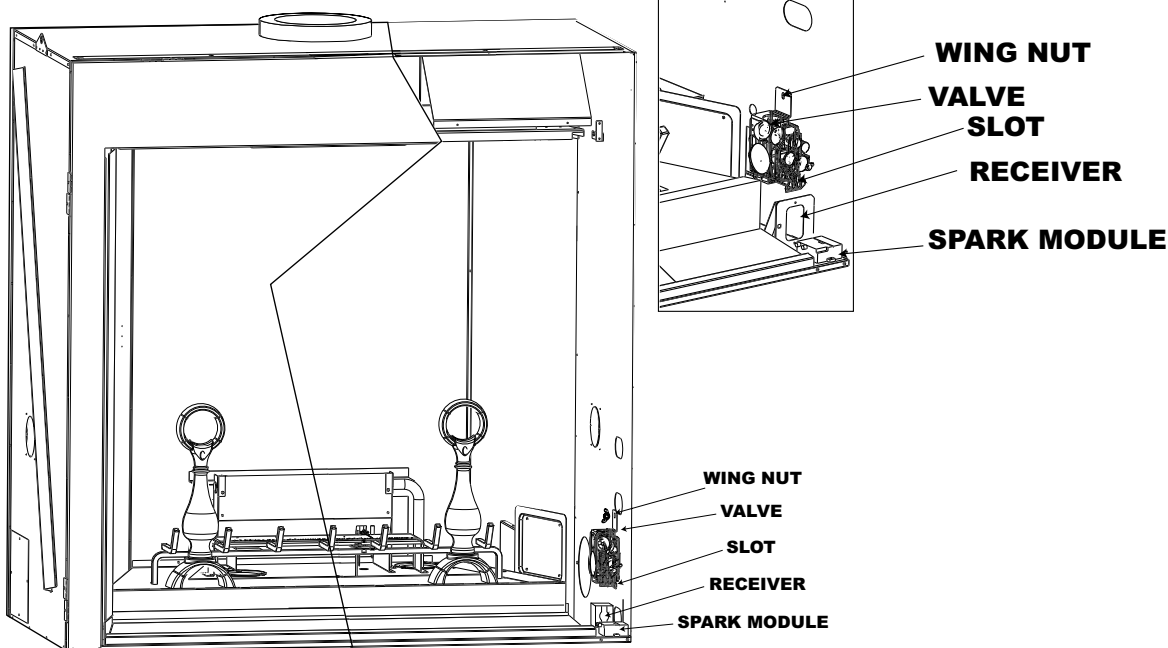
(one inlet, one outlet).

It can be removed or pulled forward for service.

1. Open right control door.
2. Remove the wing nut and pivot the valve out from the slot at the bottom of the valve.
3. Slowly pull the valve through the control door being careful not to kink the gas lines or wires.

### "AUTO SPARK" BATTERY REMOVAL

1. Open the right control door by pulling bottom portion away from magnet catch.
2. Remove the hearth strip by lifting up and away from unit.
3. The spark module is located in the front right corner of the unit (see photo below).
4. Disengage the battery compartment door from the top of module.
5. Replace battery and re-install compartment door.



**FIGURE 38**

## OPERATION / MAINTENANCE

### TIME OUT

If the appliance is turned on and the Receiver does not receive any command for 24 hours, it automatically turns the appliance and the Remote Control off.

### FIREPLACE OPERATION

To operate this fireplace using the remote, the pilot must be running and the gas valve turned to the "ON" position. Ensure that the receiver has power and the backup switch is in the auto position.

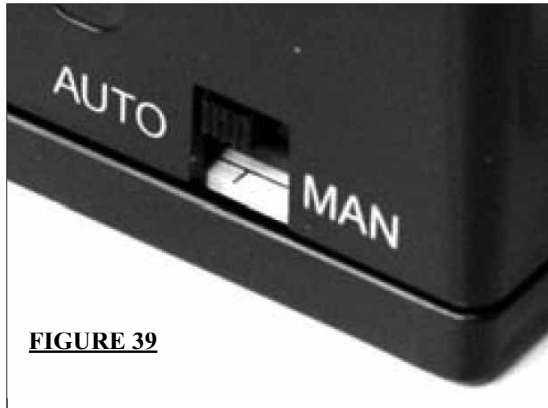


FIGURE 39

1. Install the batteries (AAA) into the remote control transmitter. The "HOUSE" icon with room temperature will be displayed.

2. Press the ON/OFF button on the remote. Icons will appear at the same time and acoustic signal is generated if not, move the transmitter closer to the receiver and repeat. If a signal is still not heard, it will be necessary to execute the address setting procedure.

**Note:** There maybe a few seconds delay before the receiver responds. Especially when using the wrought iron faceplate.

#### 3. Fahrenheit - Celsius temperature indicator

It is possible to set the Remote Control transmitter to display the temperatures in either Fahrenheit or Celsius. Use the UP or DOWN button on the transmitter until the cursor (small triangle) is left of the clock icon.

4. From time 0:00 press the LEFT key ten times. The display will show the transmitter address. Use the RIGHT button to toggle from °F to °C and vice versa. The display will show the selected unit of measure. Press the LEFT button to exit this function.

### HAND HELD REMOTE OPERATIONS

#### 1. ON / OFF

To turn the fireplace on press the ON / OFF button, the fireplace will always light at maximum flame setting. Press the ON / OFF button again to turn the fireplace off.

#### 2. FLAME HEIGHT

This function allows remote control of the flame height. Check that the Remote Control is on, otherwise, turn on the Remote Control and wait 5 seconds. Select the manual flame height until the cursor (small triangle) is to the left of the big flame. (Figure 54) Use the RIGHT or LEFT button to set the

desired flame height. Six flame levels are included, from 1 (minimum) to 6 (maximum). An acoustic signal from the Receiver confirms the reception of the command.

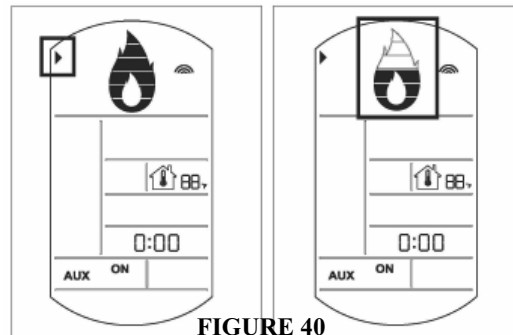


FIGURE 40

#### 3. AUTOMATIC CHANGE OF FLAME HEIGHT

The system is provided with three automatic sequences to change continuously the flame height. Thirty steps compose each sequence with an interval between one step and the other of 5 seconds, for a total duration of 2.5 minutes. At the end the sequence repeats continually until the sequence function is changed to an alternate pattern or turned to off.

The Remote Control can select one of the predefined sequences. Use the UP or Down button until the cursor (small triangle) is to the left of the two small flames. (Figure 55) Use the left or right button to select sequence 1, 2 or 3. When using the sequence function the room thermostat is active.

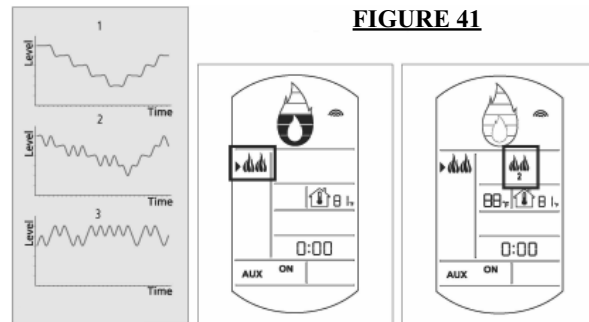


FIGURE 41

#### 4. ROOM THERMOSTAT

The Remote Control can operate as a room thermostat. To activate this function use the UP and DOWN key until the cursor (small triangle) is left of the thermometer icon.

Then use the right of left button to set the desired room temperature. (Figure 56)

This control system will cycle automatically the appliance on or off to maintain the selected temperature.

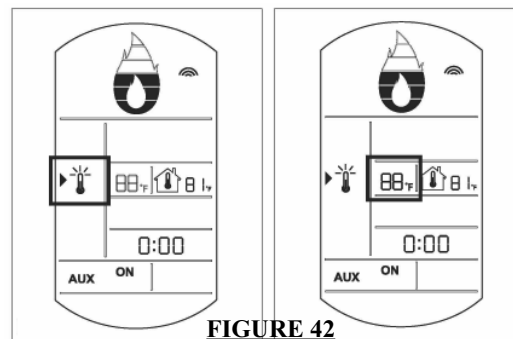
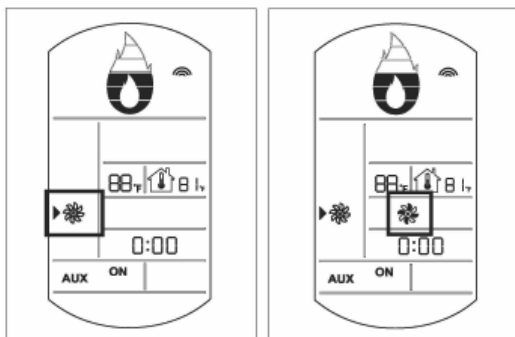


FIGURE 42

### 5. FAN SPEED SETTING

This function controls the speed of the hot air circulating fan. To change the fan speed, use the UP and Down button until the cursor (small triangle) is left of the fan icon. Set to one of 4 levels included or turned off (level 4 means full speed)

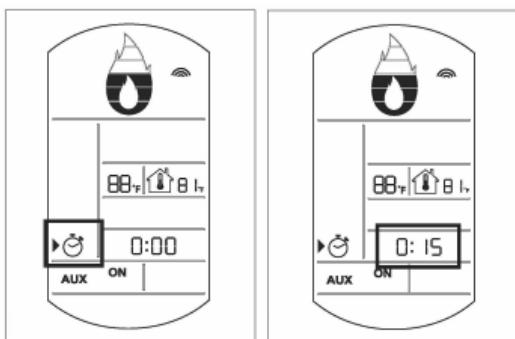


**FIGURE 43**

### 6. TIMER SETTING

The Remote Control has a sleep function. With this function it is possible to set a sleep time. After this time has elapsed the appliance is automatically switched off. To activate the function use the UP and DOWN button until the cursor (small triangle) is to the left of the clock icon.

Then use the right or left button to set the desired sleep time. It is possible to set a maximum time of 90 minutes with 15 minutes steps. After the desired time has been set press the UP or DOWN key to start the timer. (Figure 58)

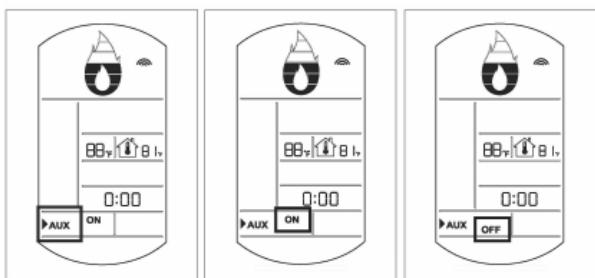


**FIGURE 44**

### 7. AUXILIARY OUTPUT

The auxiliary function allows switching of the accent light accessory on or off.

To control the accent light use the UP and DOWN button until the cursor (small triangle) is to the left of the AUX word. The right button turns the light on and the left button turns it off. (Figure 59)

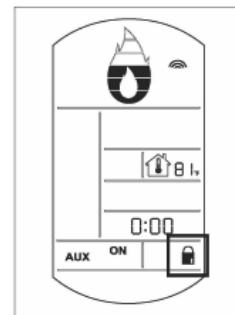


**FIGURE 45**

### CHILD SAFETY LOCK-OUT

This function is to deactivate control button. The function is active when the lock icon is lit. To activate this function press the ON / OFF button and within one second the UP key

To reactivate the remote control buttons follow the same sequence, press ON / OFF key and within one second press the UP button.



**FIGURE 46**

### POWER FAILURE

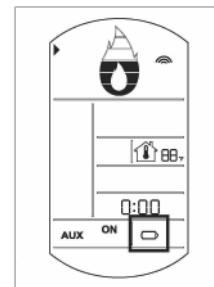
During main power loss it is not possible to turn on the appliance with the Remote Control. It is possible to turn the appliance on manually using the Backup switch of the Receiver set to the MAN position. (Figure 53) The receiver is located in the control area (see steps 1 and 2 or page 19 - Once the main power has been restored the receiver must be returned to the auto position for remote control.

**NOTE:** On subsequent restoration of the main power and with the BACKUP switch in AUTO position, the Receiver leaves the appliance turned off even if the Remote Control is turned on. In this case, to switch on the appliance, press the ON / OFF button of the Remote Control twice.

### LOW BATTERY DETECTION

The duration of the batteries depends on many factors: the quality of the batteries used, the number of ignitions of the appliance, the number of changes to the flame height etc.

When the transmitter batteries are low, an icon will be displayed on the LCD display to alert of a low battery condition before losing battery power at all. As soon as the depleted batteries are replaced, the transmitter will restart its normal operation.



**FIGURE 47**

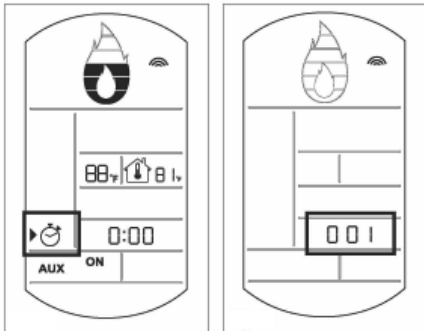
## ADDRESS SETTING PROCEDURE

Use the UP and DOWN key on the transmitter until the cursor (small triangle) is left of the clock icon. From time 0:00 press the LEFT key ten times. The display will show then the transmitter address. Press the LEFT key to exit this function.

The transmitter address is required to be equal to the Receiver. (Figure 62) Select, through setting of the dip switches, the address of the receiver. (Figure 64) Switch #8 must always be in the ON position (down). It is also possible to start a receiver address search sequence through the Transmitter. To enter this function use the DOWN or UP keys until the cursor (small triangle) is left of the clock icon. From time 0:00 press the LEFT key ten times. The display will then show the present transmitter address. To alter the address of the Transmitter press the UP key to increase and DOWN to decrease it.

A "beep" from the Receiver will confirm the same address as the Transmitter. Press LEFT key to exit this function.

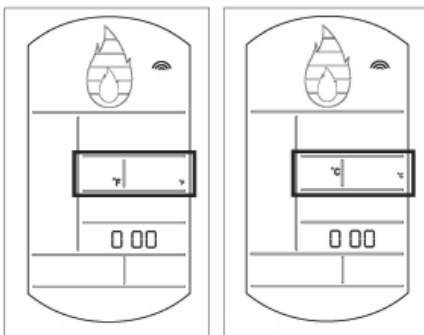
**Note: The address of the Receiver is acquired only at its power on. Changing the address while the Receiver is powered will not have any effect. To change the address of the Receiver, disconnect the power cable from the Receiver, change the address and reconnect the power cable to the Receiver.**



**FIGURE 48**

## FAHRENHEIT - Celsius Temperature Indication

It is possible to set the Remote Control to display the temperatures in either Fahrenheit or Celsius. Use the UP or DOWN key on the Transmitter until the cursor (small triangle) is left of the click icon. From time 0:00 press the LEFT key ten times. The display will show the transmitter address. Use the RIGHT key to toggle from °F to °C and vice versa. The display will show the selected unit of measure. Press the LEFT key to exit this function. (Figure 63)



**FIGURE 49**

**DIP SWITCH NUMBER (0 = ON / 1 = OFF)**

ADDRESS	1	2	3	4	5	6	7	8
64	0	0	0	0	0	0	0	0
65	1	0	0	0	0	0	0	0
66	0	1	0	0	0	0	0	0
67	1	1	0	0	0	0	0	0
68	0	0	1	0	0	0	0	0
69	1	0	1	0	0	0	0	0
70	0	1	1	0	0	0	0	0
71	1	1	1	0	0	0	0	0
72	0	0	0	1	0	0	0	0
73	1	0	0	1	0	0	0	0
74	0	1	0	1	0	0	0	0
75	1	1	0	1	0	0	0	0
76	0	0	1	1	0	0	0	0
77	1	0	1	1	0	0	0	0
78	0	1	1	1	0	0	0	0
79	1	1	1	1	0	0	0	0
80	0	0	0	0	1	0	0	0
81	1	0	0	0	1	0	0	0
82	0	1	0	0	1	0	0	0
83	1	1	0	0	1	0	0	0
84	0	0	1	0	1	0	0	0
85	1	0	1	0	1	0	0	0
86	0	1	1	0	1	0	0	0
87	1	1	1	0	1	0	0	0
88	0	0	0	1	1	0	0	0
89	1	0	0	1	1	0	0	0
90	0	1	0	1	1	0	0	0
91	1	1	0	1	1	0	0	0
92	0	0	1	1	1	0	0	0
93	1	0	1	1	1	0	0	0
94	0	1	1	1	1	0	0	0
95	1	1	1	1	1	0	0	0
96	0	0	0	0	0	1	0	0
97	1	0	0	0	0	1	0	0
98	0	1	0	0	0	1	0	0
99	1	1	0	0	0	1	0	0
100	0	0	1	0	0	1	0	0
101	1	0	1	0	0	1	0	0
102	0	1	1	0	0	1	0	0
103	1	1	1	0	0	1	0	0
104	0	0	0	1	0	1	0	0
105	1	0	0	1	0	1	0	0
106	0	1	0	1	0	1	0	0
107	1	1	0	1	0	1	0	0
108	0	0	1	1	0	1	0	0
109	1	0	1	1	0	1	0	0
110	0	1	1	1	0	1	0	0
111	1	1	1	1	0	1	0	0
112	0	0	0	0	1	1	0	0
113	1	0	0	0	1	1	0	0
114	0	1	0	0	1	1	0	0
115	1	1	0	0	1	1	0	0
116	0	0	1	0	1	1	0	0
117	1	0	1	0	1	1	0	0
118	0	1	1	0	1	1	0	0
119	1	1	1	0	1	1	0	0
120	0	0	0	1	1	1	0	0
121	1	0	0	1	1	1	0	0
122	0	1	0	1	1	1	0	0
123	1	1	0	1	1	1	0	0
124	0	0	1	1	1	1	0	0
125	1	0	1	1	1	1	0	0
126	0	1	1	1	1	1	0	0
127	1	1	1	1	1	1	0	0

ADDRESS	1	2	3	4	5	6	7	8
0	0	0	0	0	0	0	0	0
1	1	0	0	0	0	0	0	0
2	0	1	0	0	0	0	0	0
3	1	1	0	0	0	0	0	0
4	0	1	0	0	0	0	0	0
5	1	0	1	0	0	0	0	0
6	0	1	1	0	0	0	0	0
7	1	1	1	0	0	0	0	0
8	0	0	0	1	0	0	0	0
9	1	0	0	1	0	0	0	0
10	0	1	0	1	0	0	0	0
11	1	1	0	1	0	0	0	0
12	0	0	1	1	0	0	0	0
13	1	0	1	1	0	0	0	0
14	0	1	1	1	0	0	0	0
15	1	1	1	1	0	0	0	0
16	0	0	0	0	1	0	0	0
17	1	0	0	0	1	0	0	0
18	0	1	0	0	1	0	0	0
19	1	1	0	0	1	0	0	0
20	0	0	1	0	1	0	0	0
21	1	0	1	0	1	0	0	0
22	0	1	1	0	1	0	0	0
23	1	1	1	0	1	0	0	0
24	0	0	0	1	1	0	0	0
25	1	0	0	1	1	0	0	0
26	0	1	0	1	1	0	0	0
27	1	1	0	1	1	0	0	0
28	0	0	1	1	1	0	0	0
29	1	0	1	1	1	0	0	0
30	0	1	1	1	1	0	0	0
31	1	1	1	1	1	0	0	0
32	0	0	0	0	0	1	0	0
33	1	0	0	0	0	1	0	0
34	0	1	0	0	0	1	0	0
35	1	1	0	0	0	1	0	0
36	0	0	1	0	0	1	0	0
37	1	0	1	0	0	1	0	0
38	0	1	1	0	0	1	0	0
39	1	1	1	0	0	1	0	0
40	0	0	0	1	0	1	0	0
41	1	0	0	1	0	1	0	0
42	0	1	0	1	0	1	0	0
43	1	1	0	1	0	1	0	0
44	0	0	1	1	0	1	0	0
45	1	0	1	1	0	1	0	0
46	0	1	1	1	0	1	0	0
47	1	1	1	1	0	1	0	0
48	0	0	0	0	1	1	0	0
49	1	0	0	0	1	1	0	0
50	0	1	0	0	1	1	0	0
51	1	1	0	0	1	1	0	0
52	0	0	1	0	1	1	0	0
53	1	0	1	0	1	1	0	0
54	0	1	1	0	1	1	0	0
55	1	1	1	0	1	1	0	0
56	0	0	0	1	1	1	0	0
57	1	0	0	1	1	1	0	0
58	0	1	0	1	1	1	0	0
59	1	1	0	1	1	1	0	0
60	0	0	1	1	1	1	0	0
61	1	0	1	1	1	1	0	0
62	0	1	1	1	1	1	0	0
63	1	1	1	1	1	1	0	0


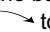
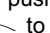
### FOR YOUR SAFETY READ BEFORE LIGHTING:

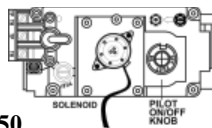
- A. This fireplace is equipped with a pilot which must be lit by hand while following these instructions exactly.
- B. Before operating smell all around the fireplace area for gas and next to the floor because some gas is heavier than air and will settle on the floor.
- C. Use only your hand to turn the gas control knob / manual shut-off knob. Never use tools. If the knob will not turn by hand, do not try to repair it. Call a qualified service technician. Force or attempted repair may result in a fire or explosion.
- D. Do not use this fireplace if any part has been under water. Immediately call a qualified service technician to inspect the fireplace and replace any part of the control system and any gas control which has been under water.

### LIGHTING INSTRUCTIONS

Warning: if you do not follow these instructions exactly, a fire or explosion may result causing property damage, personal injury or loss of life. Initial lighting of the pilot and main burners must be done with the glass door off. Do not connect valve or wall switch to electricity. See installation instructions.

When lighting and re-lighting, the gas knob cannot be turned from pilot to off unless the knob is depressed slightly.

1. STOP! Read the safety information on the operating label.
2. Turn off all electric power to the fireplace.
3. Turn the gas knob clockwise  to off.
4. Wait 5 minutes to clear out any gas. If you smell gas, including near the floor, STOP! Follow "B" on the operating label. If you don't smell gas, go to the next step.
5. If the fireplace is equipped with a flame adjustment valve, turn clockwise to off.
6. Find pilot located in front of the back log on the right.
7. Turn gas knob clockwise  to pilot.
8. This unit is equipped with an auto-spark. Depress and hold gas knob. Keep knob fully depressed for one minute, then release. If pilot does not continue to burn repeat steps 3 through 7.
9. With pilot lit, push and turn gas knob counter-clockwise  to on.
10. If equipped with flame adjustment valve, turn knob to high.
11. If equipped with remote on-off switch, main burner may not come on when you turn the valve to on or high. Remote switch must be in the on position to ignite burner.
12. Turn on all electric power to the fireplace.



**FIGURE 50**

### OPERATING INSTRUCTIONS

When lit for the first time, the fireplace will emit a slight odour for a few hours. This is a normal temporary condition caused by the curing of the logs and the "burn-in" of internal paints and lubricants used in the manufacturing process and will not occur again. Simply open a window to sufficiently ventilate the room.

After extended periods of non-operation such as following a vacation or a warm weather season, the fireplace may emit a slight odour for a few hours. This is caused by dust particles in the heat exchanger burning off. Open a window to sufficiently ventilate the room.

**Purge all gas lines with the glass door of the fireplace removed. Assure that a continuous gas flow is at the burner before installing the door.**



### WHAT TO DO IF YOU SMELL GAS

- Do not touch any electric switch.
- Do not use any phone in your building.
- If you cannot reach your gas supplier, call the fire department.
- Turn off all gas to the fireplace.
- Do not try to light any appliance.
- Immediately call your gas supplier from a neighbor's phone. Follow the gas supplier's instructions.



**FIGURE 51**

### TO TURN OFF GAS

1. Turn off all electric power to the fireplace if service is to be performed.
2. For a complete shut-down procedure: push in gas control knob slightly and turn clockwise  to off. Do not force.
3. For a temporary shut-down procedure: set the switch to off. Press and turn the gas knob clockwise  to pilot.



## MAINTENANCE

### TURN OFF THE GAS AND ELECTRICAL POWER BEFORE SERVICING THE FIREPLACE.

**CAUTION:** Label all wires prior to disconnection when servicing controls. Wiring errors can cause improper and dangerous operation. Verify proper operation after servicing. This fireplace and its venting system should be inspected before use and at least annually by a qualified service person. The fireplace area must be kept clear and free of combustible materials, gasoline or other flammable vapours and liquids. The flow of combustion and ventilation air must not be obstructed.

1. In order to properly clean the burner and pilot assembly, remove the logs to expose both assemblies.
2. Keep the control compartment, logs, burner, air shutter opening and the area surrounding the logs clean by vacuuming or brushing, *at least once a year*.
3. Check to see that all burner ports are burning. Clean out any of the ports which may not be burning or are not burning properly.
4. Check to see that the pilot flame is large enough to engulf the thermocouple and thermopile and reaches toward the burner with the third jet.
5. Replace the cleaned logs.
6. Check to see that the main burner ignites completely on all openings when the gas knob for the burner is turned on. A 5 to 10 second total light-up period is satisfactory. If ignition takes longer, consult your NAPOLEON® dealer / distributor.
7. Check that the gasket on the sides, top and bottom of the door is not broken or missing. Replace if necessary.

## ADJUSTMENTS

### FUEL CONVERSION

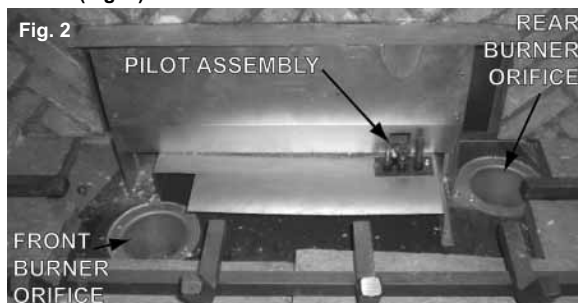
**WARNING:** Failure to position the parts in accordance with these diagrams or failure to use only parts specifically approved with this appliance may result in property damage or personal injury.

**CAUTION:** Before proceeding with conversion the gas supply must be shut off prior to disconnecting the electrical power.

1. Remove the screen, hearth strip, door and log set from the fireplace. Refer to the FINISHING section of your installation manual for instructions.



2. Remove the front burner. (4 screws) Then remove the retainers on the rear burner (2 screws) and lift out the rear burner. (Fig. 1)



3. Using a deep  $\frac{9}{16}$ " socket wrench, remove both the rear and front burner orifices. A  $\frac{7}{8}$ " back-up wrench must be used on the manifold, located below the housing to ensure that the aluminum tubing does not twist or kink. Using pipe thread compound, replace the front and rear orifices supplied. (Fig. 2)

4. Before replacing the burners, adjust the air shutters according to the following table:

BURNER	NATURAL GAS	PROPANE
Front	$\frac{5}{32}$ "	$\frac{3}{8}$ "
Rear	$\frac{3}{16}$ "	$\frac{7}{16}$ "

5. Remove the burner hood from the pilot assembly by pulling vertically. Use a  $\frac{5}{32}$ " allen key to unscrew the injector. Replace the pilot injector with the one supplied. Replace the pilot hood onto the assembly ensuring key position for proper alignment. (Fig. 3)

6. To convert the main valve to the desired fuel, follow the instruction leaflet for the SIT regulator assembly that is included with this kit.

7. The conversion data label must be filled out and attached adjacent to the valve.

8. Replace and re-secure both burners ensuring that the venturis fit over the burner orifices.

9. Turn on the gas supply and check for gas leaks by brushing on a soap and water solution.

**Do not use open flame.**

10. Replace the log set. Then light the pilot and main burner to ensure that the gas lines have been purged and that the fireplace is operating properly at 50,000 BTU's for both fuels. Refer to the lighting instructions in your fireplace installation manual.

11. Replace the door, hearth strip, and screen. Turn on the electrical supply to the fireplace.

**Purge all gas lines with the glass door off. Assure that a continuous flow is at the burner before replacing the door.**

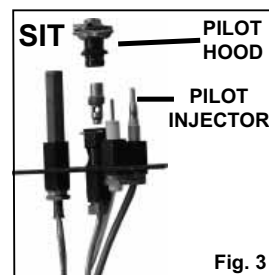


Fig. 3

**PILOT BURNER ADJUSTMENT**

Adjust the pilot screw to provide properly sized flame. Turn in a clockwise direction to reduce the gas flow.

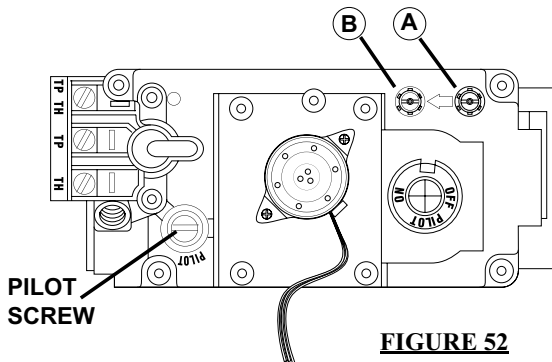
**Check Pressure Readings:** (Fig. 4)

Inlet pressure can be checked by turning screw (A) counter-clockwise 2 or 3 turns and then placing pressure gauge tubing over the test point. Gauge should read 7" (minimum 4.5") water column for natural gas or 13" (11" minimum) water column for propane. Check that main burner is operating on "HI".

Outlet pressure can be checked the same as above using screw (B). Gauge should read 3.5" water column for natural gas or 10" water column for propane. Check that main burner is operating on "HI".

**AFTER TAKING PRESSURE READINGS, BE SURE TO TURN SCREWS CLOCKWISE FIRMLY TO RESEAL. DO NOT OVERTORQUE.**

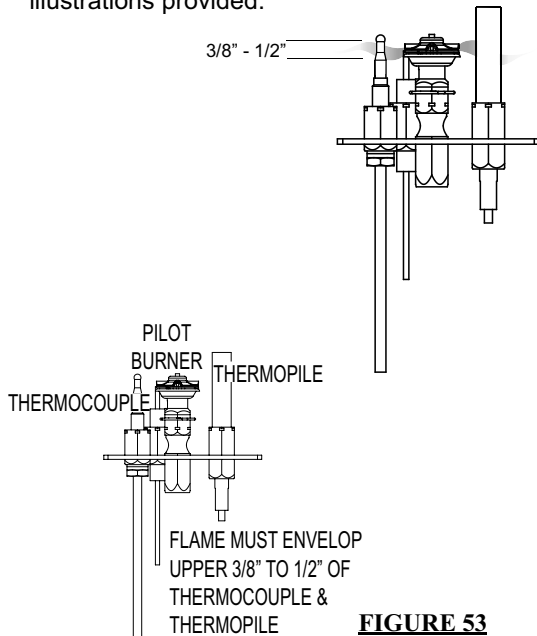
Leak test with a soap and water solution.



**FIGURE 52**

**FLAME CHARACTERISTICS**

It's important to periodically perform a visual check of the pilot and burner flames. Compare them to the illustrations provided.

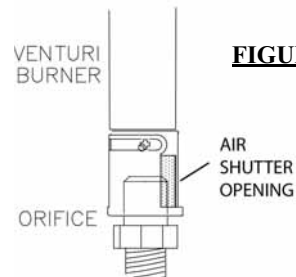


**FIGURE 53**

**VENTURI ADJUSTMENT**

Air Shutter Openings		
	Front	Rear
LP	3/8"	7/16"
NG	5/32"	3/16"

Closing the air shutter will cause a more yellow flame, but can lead to carboning. Opening the air shutter will cause a more blue flame, but can cause flame lifting from the burner ports. The flame may not appear yellow immediately; allow 15 to 30 minutes for the final flame colour to be established.



**FIGURE 54**



**WARNING:** Failure to position the parts in accordance with these diagrams or failure to use only parts specifically approved with this appliance may result in property damage or personal injury.

# REPLACEMENTS

Contact your dealer for questions concerning prices and availability of replacement parts. Normally all parts can be ordered through your **NAPOLEON®** dealer or distributor.

When ordering replacement parts always give the following information:

**FOR WARRANTY REPLACEMENT PARTS, A PHOTOCOPY OF THE ORIGINAL INVOICE WILL BE REQUIRED TO HONOUR THE CLAIM.**

## REPLACEMENT PARTS

#	PART NO.	DESCRIPTION
1*	W390-0002	DOOR LATCH (EA)
2	W725-0047	NATURAL GAS VALVE - MODULATING
2	W725-0048	PROPANE GAS VALVE - MODULATING
3	W455-0040	#41 NATURAL GAS ORIFICE
3	W455-0058	#35 NATURAL GAS ORIFICE
3	W455-0059	#53 PROPANE GAS ORIFICE
4	W680-0014	THERMOCOUPLE
5	W240-0008	ELECTRODE c/w LEAD
6	W680-0015	THERMOPILE
7	W010-1478	NATURAL GAS PILOT ASSEMBLY
7	W010-1479	PROPANE GAS PILOT ASSEMBLY
8	W455-0070	NG PILOT INJECTOR
8	W455-0068	LP PILOT INJECTOR
9*	W385-0334	NAPOLEON® LOGO
10*	W290-0116	DOOR GASKET
11	W615-0075	FIRESTOP
12	W660-0041	SPARK SWITCH
13	W660-0046	REMOTE TRANSMITTER
14	W660-0045	REMOTE RECEIVER
15	W190-0017	DC SPARK UNIT CONTROL
16	W010-1480	DOOR FRAME
17*	W010-1516	GLASS c/w GASKET
18	W565-0089	SCREEN
19*	W120-0054	CURTAIN ROD CAP
20	W010-0978	PAN BURNER
21	W100-0078	TUBE BURNER
22	GL-659	LOG SET
23*	W361-0016	GLOWING EMBERS
24*	W550-0001	CHARCOAL EMBERS
25	W135-0316	REAR LOG #1
26	W135-0307	RIGHT MIDDLE LOG #2
27	W135-0308	LEFT MIDDLE LOG #3
28	W135-0311	FRONT CROSSOVER LOG #4
29	W135-0318	LEFT FRONT LOG #5
30	W135-0312	MIDDLE CROSSOVER LOG #6
31	W135-0317	RIGHT FRONT LOG #7
32	W135-0313	REAR CROSSOVER LOG #8
33	W135-0314	FRONT CHUNK #9
34	W135-0315	REAR CHUNK #10
35	W720-0098	PILOT TUBE
36*	W361-0014	VERMICULITE
37	W300-0067	ACCENT LIGHT GLASS
38	W387-0006	ACCENT LIGHT
39	W750-0107	ACCENT LIGHT WIRE
40	W290-0080	ACCENT LENSE GASKET
41*	W475-0499	PANEL REAR FIBRE
42*	W475-0493	PANEL, RIGHT FIBRE
43*	W475-0494	PANEL, LEFT FIBRE
44*	W475-0492	PANEL, BAFFLE
45*	W475-0496	HEARTH, LEFT FIBRE
46*	W475-0495	HEARTH, RIGHT FIBRE
47*	W475-0497	HEARTH, RIGHT MIDDLE
48*	W475-0498	HEARTH, LEFT MIDDLE
49*	W333-0011	HEARTH, FRONT CENTRE CONCRETE
50*	W333-0010	HEARTH, FRONT LEFT CONCRETE
51*	W333-0012	HEARTH, FRONT RIGHT CONCRETE
52	W135-0305	ANDIRON

1. MODEL & SERIAL NUMBER OF FIREPLACE
2. INSTALLATION DATE OF FIREPLACE
3. PART NUMBER
4. DESCRIPTION OF PART
5. FINISH

\* IDENTIFIES ITEMS WHICH ARE NOT ILLUSTRATED. FOR FURTHER INFORMATION, CONTACT YOUR

**NAPOLEON® DEALER.**

## FLEXIBLE VENT KITS

### GD620 (5 FT)

53*	W010-0772	8" FLEXIBLE ALUMINIUM LINER - (5 FT) c/w SPACERS
53*	W730-0026	10" FLEXIBLE ALUMINIUM LINER - (5 FT)

### GD630 (10 FT)

53*	W730-0027	10" FLEXIBLE ALUMINIUM LINER - (10 FT)
53*	W010-0773	8" FLEXIBLE ALUMINIUM LINER - (10 FT) c/w SPACERS
54*	W010-0810	WALL SUPPORT ASSEMBLY

## TERMINAL KITS

55	WALL TERMINAL KIT	-	GD622R
----	-------------------	---	--------

## ROOF TERMINAL KITS

56*	1/12 TO 7/12	PITCH	- GD610
57*	8/12 TO 12/12	PITCH	- GD611
58*	FLAT ROOF		- GD612
59	W490-0075	8/10 INNER OUTER SLEEVE	
60	W670-0008	8/10 TERMINAL	
61	W170-0016	STORM COLLAR	
62	W010-0453	ROOF SUPPORT	
63	W263-0083	ROOF FLASHING 1/12 - 7/12 PITCH	
	W263-0084	ROOF FLASHING 8/12 - 12/12 PITCH	
	W263-0085	ROOF FLASHING	

## ACCESSORIES

64*	W573-0007	HI-TEMP SEALANT
65*	GD501	HEAT GUARD
66	GA-566	HOT AIR DISTRIBUTION KIT
67	GA-72	HOT AIR EXHAUST KIT
68	GA-70	EXTENSION KIT, 5FT FLEX VENT
69*	W010-0370	WALL SUPPORT ASSEMBLY
70*	W175-0249	10" COUPLER
71*	W175-0002	8" COUPLER
72*	W175-0260	CONVERSION KIT - NG TO LP
72*	W175-0261	CONVERSION KIT - LP TO NG
73	CP90	CRANE AND POT
74*	F90SA	DECORATIVE FRAME-SQUARE "ARTSAN"
75*	DK90RA	RECTANGULAR DOUBLE DOORS "ARTISAN"
76	W585-0222	VENT PIPE SHIELD
77	W170-0116	10" STORM COLLAR
78	GA65	10" FLEX WITH 6" COLLAR

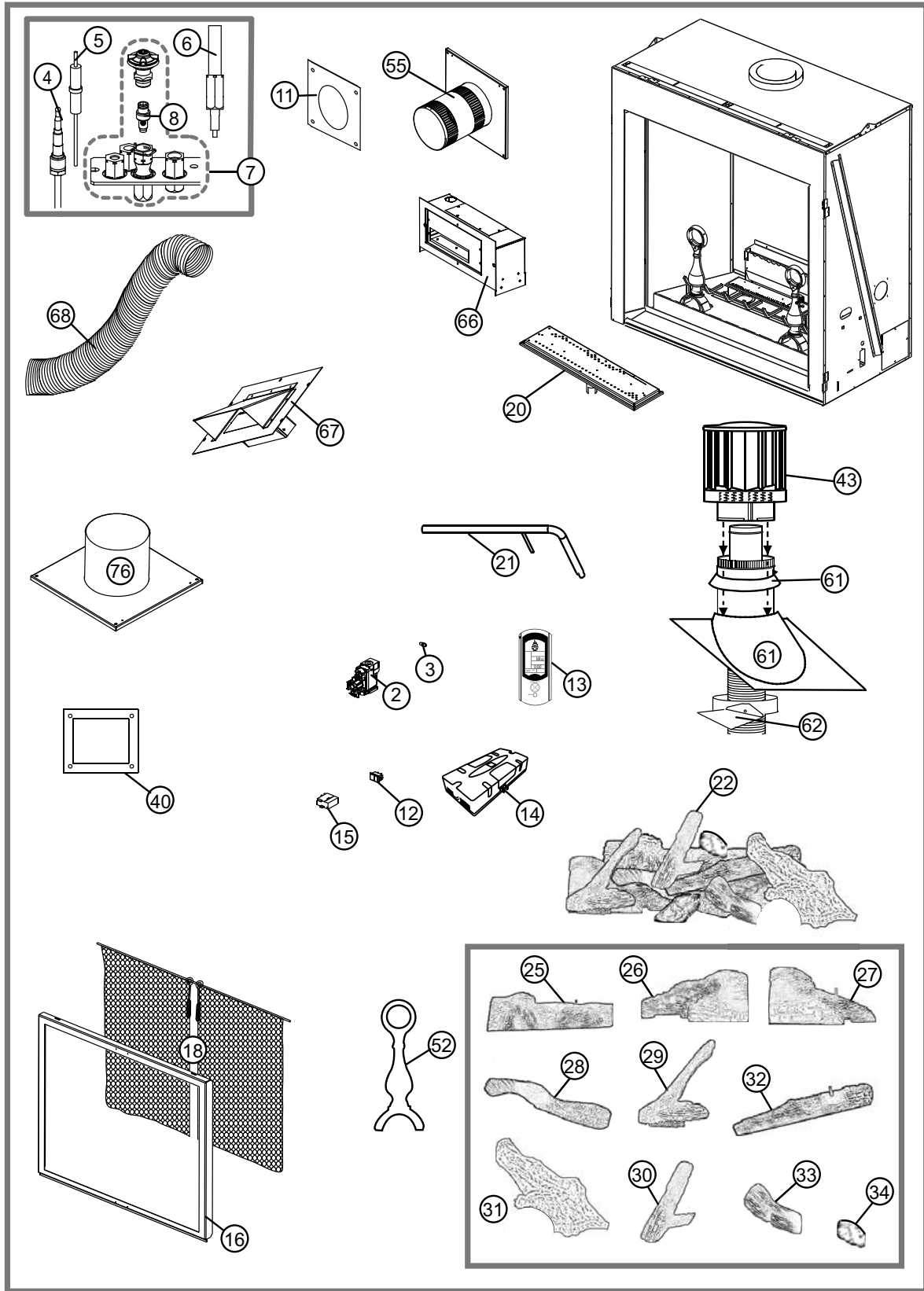
**NOTE:** Care must be taken when removing and disposing of any broken glass or damaged components. Be sure to vacuum up and broken glass from inside the fireplace before operation.

Installation and repairs must be performed by a qualified installer, service agency or the supplier.

**\*\* WARNING:** Failure to position the parts in accordance with these diagrams or failure to use only parts specifically approved with this appliance may result in property damage or personal injury.

**\*\* WARNING:** This is a fast acting thermocouple. It is an integral safety component. Replace only with a fast acting thermocouple supplied by Wolf Steel Ltd.

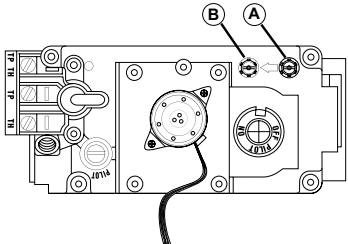
W415-0614 / A / 07.24.07

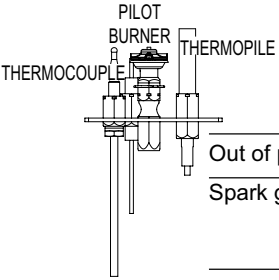


\* **WARNING:** This is a fast acting thermocouple. It is an integral safety component. Replace only with a fast acting thermocouple supplied by Wolf Steel Ltd.

## TROUBLE SHOOTING GUIDE

BEFORE ATTEMPTING TO TROUBLESHOOT, PURGE YOUR UNIT AND INITIALLY LIGHT THE PILOT AND THE MAIN BURNER WITH THE GLASS DOOR OPEN.

SYMPTOM	PROBLEM	TEST SOLUTION
Main burner flame is a blue, lazy, transparent flame.	Blockage in vent. <hr/> Incorrect installation.	- remove blockage. In really cold conditions, ice buildup may occur on the terminal and should be removed as required. <hr/> - ensure correct location of storm collars.
Flames are consistently too large or too small. Carboning occurs.	Unit is over-fired or under-fired.	- check pressure readings: Inlet pressure can be checked by turning screw (A) counter-clockwise 2 or 3 turns and then placing pressure gauge tubing over the test point. Gauge should read 7" (minimum 4.5") water column for natural gas or 13" (11" minimum) water column for propane. Check that main burner is operating on "HI". Outlet pressure can be checked the same as above using screw (B). Gauge should read 3.5" water column for natural gas or 10" water column for propane. Check that main burner is operating on "HI". <b>AFTER TAKING PRESSURE READINGS, BE SURE TO TURN SCREWS CLOCKWISE FIRMLY TO RESEAL. DO NOT OVERTORQUE.</b> Leak test with a soap and water solution.
		
Carbon is being deposited on glass, logs or combustion chamber surfaces.	Air shutter has become blocked <hr/> Flame is impinging on the logs or combustion chamber.	- ensure air shutter opening is free of lint or other obstructions. <hr/> - check that the logs are correctly positioned. - open air shutter to increase the primary air. - check the input rate: check the manifold pressure and orifice size as specified by the rating plate values. - check that the door gasket is not broken or missing and that the seal is tight. - check that both 8" and 10" vent liners are free of holes and well sealed at all joints. - check that minimum rise per foot has been adhered to for any horizontal venting.
White / grey film forms.	Sulphur from fuel is being deposited on glass, logs or combustion chamber surfaces.	- clean the glass with a gas fireplace glass cleaner. <b>DO NOT CLEAN GLASS WHEN HOT.</b> If deposits are not cleaned off regularly, the glass may become permanently marked.
Exhaust fumes smelled in room, headaches.	Fireplace is spilling.	- check door seal and relief flap seal. - check for chimney blockage - check that the paint curing process is complete
Pilot goes out when the gas knob is released.	System is not correctly purged.	- purge the gas line with the glass door open.
<b>The gas valve has an interlock device which will not allow the pilot burner to be lit until the thermocouple has cooled. Allow approximately 60 seconds for the thermocouple to cool.</b>	Out of propane gas.	- fill the tank.
	Pilot flame is not large enough	- turn up the pilot flame.
	Pilot flame is not engulfing the thermocouple.	- gently twist the pilot head to improve the flame pattern around the thermocouple.
	Thermocouple shorting / faulty.	- loosen and tighten thermocouple. - clean thermocouple and valve connection. - replace thermocouple. - replace valve.
	Faulty valve.	- replace.

SYMPTOM	PROBLEM	TEST SOLUTION
Pilot burning; no gas to main burner; Flame height is on 'HI'; Remote and transmitter ON	Remote receiver	- disconnect switch wires & connect a jumper wire across terminals 1 & 3; if the main burner lights, check the wires for defects and / or replace wires.
	Main burner orifice is plugged.	- remove stoppage in orifice.
	Faulty thermopile.	- test and replace if required.
Pilot goes out while standing; Main burner is in 'OFF' position.	Gas piping is undersized.	- turn on all gas appliances and see if pilot flame flutters, diminishes or extinguishes, especially when main burner ignites. Monitor appliance supply working pressure. - check if supply piping size is to code. Correct all undersized piping.
	Pilot will not light. 	No spark at pilot burner
Out of propane gas		- fill the tank.
Spark gap is incorrect		- spark gap should be 0.150" to 0.175" (5/32" to 11/64" approx.) from the electrode tip and the pilot burner. To ensure proper electrode location, tighten securing nut (finger tight plus 1/4 turn).
No gas at the pilot burner		- check that the manual valve is turned on. - check the pilot orifice for blockage. - call the gas distributor.
Main burner goes out; pilot stays on.		Pilot flame is not large enough or not engulfing the thermopile
	Thermopile shorting	- clean thermopile connection to the valve. Reconnect. - test and replace thermopile if required.
	Temperature setting on transmitter is satisfied	- turn up temperature setting.
Main burner goes out; pilot goes out.	Refer to "MAIN BURNER GOES OUT; PILOT STAYS ON"	
	Vent is blocked	- check for vent blockage.
	Vent is re-circulating	- check joint seals and installation.
	8" flexible vent has become disconnected from fireplace.	- re-attach to fireplace.







## Free Manuals Download Website

<http://myh66.com>

<http://usermanuals.us>

<http://www.somanuals.com>

<http://www.4manuals.cc>

<http://www.manual-lib.com>

<http://www.404manual.com>

<http://www.luxmanual.com>

<http://aubethermostatmanual.com>

Golf course search by state

<http://golfingnear.com>

Email search by domain

<http://emailbydomain.com>

Auto manuals search

<http://auto.somanuals.com>

TV manuals search

<http://tv.somanuals.com>