

INSTALLER: THESE INSTRUCTIONS MUST BE CONVEYED TO AND REMAIN WITH THE HOMEOWNER.



INSTALLATION AND OPERATION INSTRUCTIONS

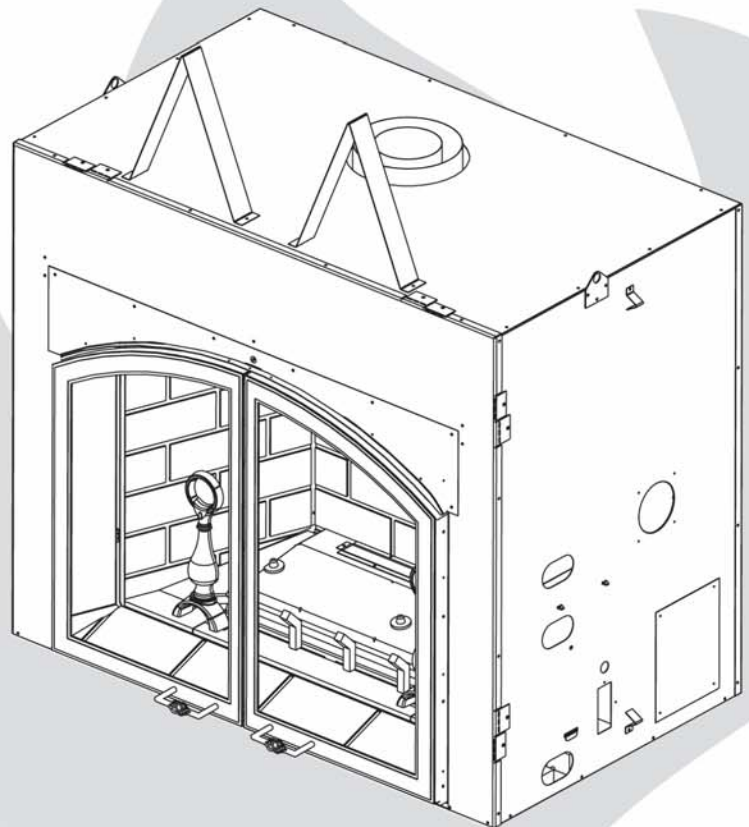
CERTIFIED UNDER CANADIAN AND AMERICAN NATIONAL STANDARDS: CSA 2.33, ANSI Z21.88 FOR VENTED GAS FIREPLACE HEATERS.

If the information in these instructions is not followed exactly, a fire or explosion may result causing property damage, personal injury or death.

THE MADISON™

GD80NT
NATURAL GAS

GD80PT
PROPANE



W415-0447/B/05.24.05

Wolf Steel Ltd., 24 Napoleon Rd., Barrie, ON L4M 4Y8 Canada • (705)721-1212 • fax(705)722-6031
www.napoleonfireplaces.com • ask@napoleon.on.ca

WARNINGS & SAFETY PRECAUTIONS



Do not store gasoline or other flammable vapours and liquids in the vicinity of this or any other appliance.



Installation and service must be performed by a qualified installer, service agency or the gas supplier. Follow the installation directions.

WHAT TO DO IF YOU SMELL GAS



Do not try to light any appliance.



Do not use any phone in your building. Immediately call your gas supplier from a neighbor's phone. Follow the gas supplier's instructions.



Do not touch any electrical switch.



If you cannot reach your gas supplier, call the fire department.



If this fireplace is not properly installed, a house fire may result.

TABLE of CONTENTS

PG2-6	INTRODUCTION	20	BLOWER REPLACEMENT
	Warnings and Safety Precautions		
	Warranty	21	REMOTE AND VALVE ACCESS
	Dimensions		Remote Removal
	General Instructions		Valve Removal
	General Information		
	Care of Glass & Plated Parts	22-24	OPERATION / MAINTENANCE
6-11	VENTING		Fireplace Operation
	Vent lengths		Hand Held Remote Operation
	Venting Specifications		Operating Instructions
	Air Terminal Locations		Maintenance
12-17	INSTALLATION/FRAMING	24	ADJUSTMENTS
	Wall & Ceiling Protection		Pilot Burner Adjustment
	Using Flexible Vent Components		Venturi Adjustment
	Fireplace Vent Connection		Air Control Rod Access
	Using Rigid Vent Components		
	Gas Installation	25-26	REPLACEMENTS
	Restricting Vertical Vents		Ordering Replacement Parts
	Framing		Replacement Parts
	Clearance to Combustibles		Terminal Kits
	Mantle Clearances and Enclosures		Vent Kits
17	ELECTRICAL CONNECTION		Accessories
	Schematic		
18-20	FINISHING	27-28	TROUBLE SHOOTING GUIDE
	Door Removal		
	Log Shipping Bracket Removal		
	Log Placement		
	Baffle Installation		
	Charcoal Embers		
	Lamp Replacement		

PLEASE RETAIN THIS MANUAL FOR FUTURE REFERENCE

WARNING

- Do not burn wood or other materials in this fireplace.
- Adults and especially children should be alerted to the hazards of high surface temperatures and should stay away to avoid burns or clothing ignition. Supervise young children when they are in the same room as the fireplace.
- Due to high temperatures, the fireplace should be located out of traffic and away from furniture and draperies.
- Clothing or other flammable material should not be placed on or near the fireplace.
- Any safety screen or guard removed for servicing must be replaced prior to operating the fireplace.
- It is imperative that the control compartments, burners and circulating blower and its passageway in the fireplace and venting system are kept clean. The fireplace and its venting system should be inspected before use and at least annually by a qualified service person. More frequent cleaning may be required due to excessive lint from carpeting, bedding material, etc. The fireplace area must be kept clear and free from combustible materials, gasoline and other flammable vapours and liquids.
- Under no circumstances should this fireplace be modified.
- This fireplace must not be connected to a chimney flue pipe serving a separate solid fuel burning appliance.
- Do not use this fireplace if any part has been under water. Immediately call a qualified service technician to inspect the fireplace and to replace any part of the control system and any gas control which has been under water.
- Do not operate the fireplace with the glass door removed, cracked or broken. Replacement of the glass should be done by a licensed or qualified service person.
- Do not strike or slam shut the fireplace glass door.
- This fireplace uses and requires a fast acting thermocouple. Replace only with a fast acting thermocouple supplied by Wolf Steel Ltd.

NAPOLEON gas fireplaces are manufactured under the strict Standard of the world recognized ISO 9001 : 2000 Quality Assurance Certificate.

NAPOLEON products are designed with superior components and materials, assembled by trained craftsmen who take great pride in their work. The burner and valve assembly are leak and test-fired at a quality test station. The complete fireplace is thoroughly inspected by a qualified technician before packaging to ensure that you, the customer, receives the quality product that you expect from NAPOLEON.

NAPOLEON GAS FIREPLACE PRESIDENT'S LIFETIME LIMITED WARRANTY

The following materials and workmanship in your new napoleon gas fireplace are warranted against defects for as long as you own the fireplace. This covers: combustion chamber, heat exchanger, stainless steel burner, PHAZER™ logs and embers, ceramic glass (thermal breakage only), gold plated parts against tarnishing, porcelainized enamelled components and aluminum extrusion trims.

Electrical (110V and millivolt) components and wearable parts such as the blower, gas valve, thermal switch, switches, wiring, remote control, ignitor, gasketing, and pilot assembly are covered and NAPOLEON will provide replacement parts free of charge during the first year of the limited warranty. Light bulbs are not covered by this warranty.

Labour related to warranty repair is covered free of charge during the first year. Repair work, however, requires the prior approval of an authorized company official. Labour costs to the account of NAPOLEON are based on a predetermined rate schedule and any repair work must be done through an authorized NAPOLEON dealer.

CONDITIONS AND LIMITATIONS

NAPOLEON warrants its products against manufacturing defects to the original purchaser only -- i.e., the individual or legal entity (registered customer) whose name appears on the warranty registration card filed with NAPOLEON -- provided that the purchase was made through an authorized NAPOLEON dealer and is subject to the following conditions and limitations:

This factory warranty is nontransferable and may not be extended whatsoever by any of our representatives.

The gas fireplace must be installed by a licenced, authorized service technician or contractor. Installation must be done in accordance with the installation instructions included with the product and all local and national building and fire codes.

This limited warranty does not cover damages caused by misuse, lack of maintenance, accident, alterations, abuse or neglect and parts installed from other manufacturers will nullify this warranty.

This limited warranty further does not cover any scratches, dents, corrosion or discolouring caused by excessive heat, abrasive and chemical cleaners nor chipping on porcelain enamel parts, mechanical breakage of PHAZER™ logs and embers, nor any venting components used in the installation of the fireplace.

NAPOLEON warrants its stainless steel burners against defects in workmanship and material for life, subject to the following conditions: During the first 10 years NAPOLEON will replace or repair the defective parts at our option free of charge. From 10 years to life, NAPOLEON will provide replacement burners at 50% of the current retail price.

In the first year only, this warranty extends to the repair or replacement of warranted parts which are defective in material or workmanship provided that the product has been operated in accordance with the operation instructions and under normal conditions.

After the first year, with respect to this President's Limited Lifetime Warranty, NAPOLEON may, at its discretion, fully discharge all obligations with respect to this warranty by refunding to the original warranted purchaser the wholesale price of any warranted but defective part(s).

After the first year, NAPOLEON will not be responsible for installation, labour or any other costs or expenses related to the reinstallation of a warranted part, and such expenses are not covered by this warranty.

Notwithstanding any provisions contained in this President's Limited Lifetime Warranty, NAPOLEON'S responsibility under this warranty is defined as above and it shall not in any event extend to any incidental, consequential or indirect damages.

This warranty defines the obligations and liability of NAPOLEON with respect to the NAPOLEON gas fireplace and any other warranties expressed or implied with respect to this product, its components or accessories are excluded.

NAPOLEON neither assumes, nor authorizes any third party to assume, on its behalf, any other liabilities with respect to the sale of this product. NAPOLEON will not be responsible for: over-firing, downdrafts, spillage caused by environmental conditions such as rooftops, buildings, nearby trees, hills, mountains, inadequate vents or ventilation, excessive venting configurations, insufficient makeup air, or negative air pressures which may or may not be caused by mechanical systems such as exhaust fans, furnaces, clothes dryers, etc.

Any damages to fireplace, combustion chamber, heat exchanger, brass trim or other component due to water, weather damage, long periods of dampness, condensation, damaging chemicals or cleaners will not be the responsibility of NAPOLEON.

The bill of sale or copy will be required together with a serial number and a model number when making any warranty claims from your authorized dealer. The warranty registration card must be returned within fourteen days to register the warranty.

NAPOLEON reserves the right to have its representative inspect any product or part thereof prior to honouring any warranty claim.

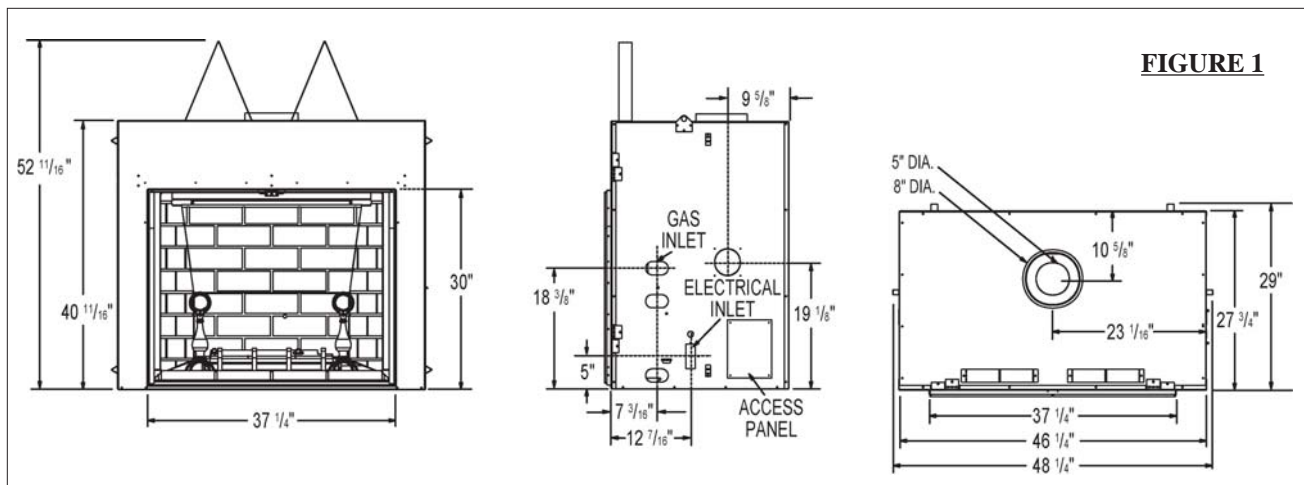


FIGURE 1

GENERAL INSTRUCTIONS

THIS GAS FIREPLACE SHOULD BE INSTALLED AND SERVICED BY A QUALIFIED INSTALLER to conform with local codes. Installation practices vary from region to region and it is important to know the specifics that apply to your area, for example: in Massachusetts State:

- The fireplace damper must be removed or welded in the open position prior to installation of a fireplace insert or gas log.
- The appliance off valve must be a "T" handle gas cock.
- The flexible connector must not be longer than 36 inches.
- The appliance is not approved for installation in a bedroom or bathroom unless the unit is a direct vent sealed combustion product.
- **WARNING:** This product must be installed by a licensed plumber or gas fitter when installed within the commonwealth of Massachusetts.

In absence of local codes, install to the current CAN/CGA - B149 Installation Code in Canada or to the National Fuel Gas Code, ANSI Z223.1, and NFPA 54 in the United States. Suitable for mobile home installation if installed in accordance with the current standard CAN/CSA Z240MH Series, for gas equipped mobile homes, in Canada or ANSI Z223.1 and NFPA 54 in the United States.

The fireplace and its individual shutoff valve must be disconnected from the gas supply piping system during any pressure testing of that system at test pressures in excess of 1/2 psig (3.5 kPa). The fireplace must be isolated from the gas supply piping system by closing its individual manual shutoff valve during any pressure testing of the gas supply piping system at test pressures equal to or less than 1/2 psig (3.5 kPa).

When the fireplace is installed directly on carpeting, vinyl tile or other combustible material other than wood flooring, the fireplace shall be installed on a metal or wood panel extending the full width and depth.

The optional heat circulating blower is supplied with a cord. If installed, the junction box must be electrically connected and grounded in accordance with local codes. In the absence of local codes, use the current CSA C22.1 CANADIAN ELECTRICAL CODE in Canada or the ANSI/NFPA 70 NATIONAL ELECTRICAL CODE in the United States.

Purge all gas lines with the glass door of the fireplace open. Assure that a continuous gas flow is at the burner before closing the door.

Under extreme vent configurations, allow several minutes (5-15) for the flame to stabilize after ignition.

Provide adequate ventilation and combustion air. Provide adequate accessibility clearance for servicing and operating the fireplace. Never obstruct the front opening of the fireplace.

Objects placed in front of the fireplace must be kept a minimum of 48" from the front face of the unit.

Minimum clearance to combustible construction from fireplace and vent surfaces:

fireplace framing - 0" to stand-offs (top, rear and sides)

fireplace finishing - 5 3/8" to sides,

23 3/8" to top of fireplace opening.

vent pipe - 2 inches

recessed depth - 29 inches

GENERAL INFORMATION

FOR YOUR SATISFACTION, THIS FIREPLACE HAS BEEN TEST-FIRED TO ASSURE ITS OPERATION AND QUALITY!

Maximum input is 43,000 BTU/hr for both natural gas and propane. When the fireplace is installed at elevations above 4,500ft, and in the absence of specific recommendations from the local authority having jurisdiction, the certified high altitude input rating shall be reduced at the rate of 4% for each additional 1,000ft. Maximum output for natural gas is 33,540 BTU/hr at an efficiency of 78%; and 34,000 BTU/hr for propane at an efficiency of 79%. Minimum inlet gas supply pressure is 4.5 inches water column for natural gas and 11 inches water column for propane. Maximum inlet gas pressure is 7 inches water column for natural gas and 13 inches water column for propane. Manifold pressure under flow conditions is 3.5 inches water column for natural gas and 10 inches water column for propane.

This fireplace is approved for bathroom, bedroom and bed-sitting room installations and is suitable for mobile home installation. The natural gas model can only be installed in a mobile home that is permanently positioned on its site and fueled with natural gas.

This fireplace may be installed in an aftermarket permanently located, manufactured (mobile) home, where not prohibited by local codes.

This fireplace is only for use with the type of gas indicated on the rating plate. This fireplace is not convertible for use with other gases, unless a certified kit is used.

No external electricity (110 volts or 24 volts) is required for the gas system operation.

Expansion / contraction noises during heating up and cooling down cycles are normal and are to be expected. Change in flame appearance from "HI" to "LO" is more evident in natural gas than in propane.

VENTING

VENTING LENGTHS & AIR TERMINAL LOCATIONS

Use only Wolf Steel, Simpson Dura-Vent, Selkirk Direct Temp or American Metal Amerivent venting components.

For Simpson Dura-Vent, Selkirk Direct Temp and American Metal Amerivent, follow the installation procedure provided with the venting components.

All outer pipe joints of these venting systems must be sealed using Red RTV High Temperature Sealant.

Wolf Steel, Simpson Dura-Vent, Selkirk Direct Temp and American Metal Amerivent venting systems must not be combined.

A starter adaptor must be used and may be purchased from the corresponding supplier:

Supplier	5&8 ZC
DuraVent	W175-0170
Amerivent	4DSC-N2
Direct Temp	5DT-AAN

When using Napoleon venting components, use only approved Wolf Steel Ltd. rigid / flexible vent components with the following termination kits: WALL TERMINAL KIT **GD422R**, or 1/12 TO 7/12 PITCH ROOF TERMINAL KIT **GD410**, 8/12 TO 12/12 ROOF TERMINAL KIT **GD411**, FLAT ROOF TERMINAL KIT **GD412** or PERISCOPE KIT **GD401** (for wall penetration below grade). With flexible venting, in conjunction with the various terminations, use either the 5 foot vent kit **GD420** or the 10 foot vent kit **GD430**. These vent kits allow for either horizontal or vertical venting of the fireplace.

The maximum allowable vertical vent length is 40 feet. The maximum number of allowable 5" vent connections is **three horizontally or vertically** (excluding the fireplace and the air terminal connections).

For optimum flame appearance and fireplace performance, keep the vent length and number of elbows to a minimum. The air terminal must remain unobstructed at all times. Examine the air terminal at least once a year to verify that it is unobstructed and undamaged.

When venting, the horizontal run must be kept to a minimum of 16 inches or a maximum of 20 feet. If a 20 foot horizontal run is required, the fireplace must have a minimum vertical rise immediately off the fireplace of 57 inches. FIGURES 2a-c. When terminating vertically, the vertical rise is a minimum 34 inches and a maximum 40 feet above the fireplace. FIGURE 3.

CARE OF GLASS, AND PLATED PARTS

Do not use abrasive cleaners to clean plated parts. Buff lightly with a clean dry cloth. The glass is 3/16" ceramic glass available from your Napoleon / Wolf Steel Ltd. dealer. **DO NOT SUBSTITUTE MATERIALS.** Clean the glass after the first 10 hours of operation with a recommended gas fireplace glass cleaner. Thereafter clean as required. **DO NOT CLEAN GLASS WHEN HOT!** If the glass is not kept clean permanent discoloration and / or blemishes may result.

FIGURES 2A-C

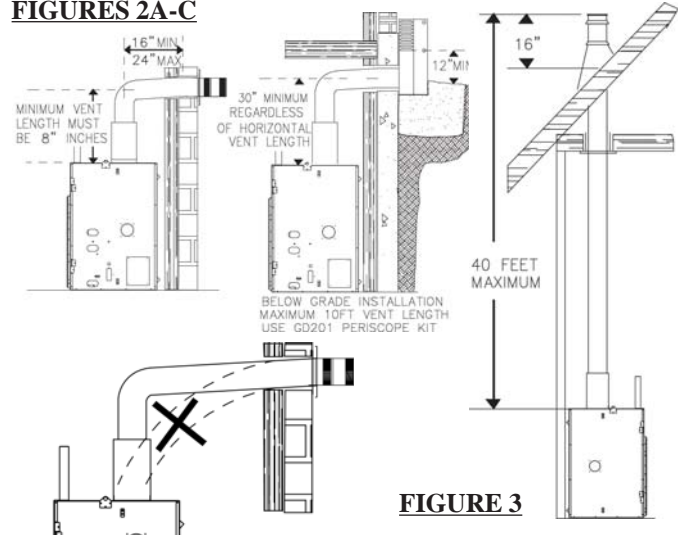


FIGURE 3

Horizontal runs may have a 0 inch rise per foot in all cases using SIMPSON DURA-VENT or NAPOLEON RIGID OR FLEXIBLE venting components when venting as illustrated in Figures 2a, 2b, and 2c.

For optimum performance, it is recommended that all horizontal runs have a minimum 1/4 inch rise per foot.

Provide a means for visually checking the vent connection to the fireplace after the fireplace is installed.

Do not allow the inside liner to bunch up on horizontal or vertical runs and elbows. Keep it pulled tight. A 1/4" air gap between the inner and outer liner all around is required for safe operation.

Vent lengths that pass through unheated spaces (attics, garages, crawl space) should be wrapped with a protective insulation sleeve to minimize condensation.

Use a firestop when penetrating interior walls, floor or ceiling.

For safe and proper operation of the fireplace follow the venting instruction exactly.

Deviation from the minimum vertical vent length can create difficulty in burner start-up and/or carboning.

If vertical rises greater than 57 inches are necessary, the increased rise must be deducted from the horizontal run.

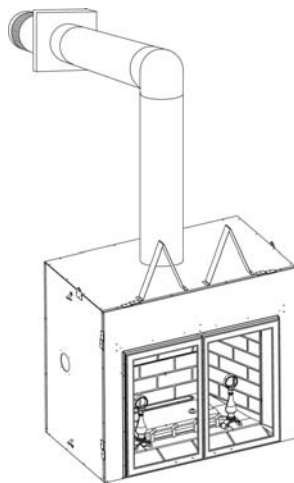
DEFINITIONS	
for the following symbols used in the venting calculations and examples are:	
>	- greater than
≥	- equal to or greater than
<	- less than
≤	- equal to or less than
H_T	- total of both horizontal vent lengths (H_R) and offsets (H_o) in feet
H_R	- combined horizontal vent lengths in feet
H_o	- offset factor: .03(total degrees of offset - 90°*) in feet
V_T	- combined vertical vent lengths in feet

ELBOW VENT LENGTH VALUES		
	feet	inches
1°	0.03	0.5
15°	0.45	6.0
30°	0.9	11.0
45°	1.35	16.0
90°*	2.7	32.0

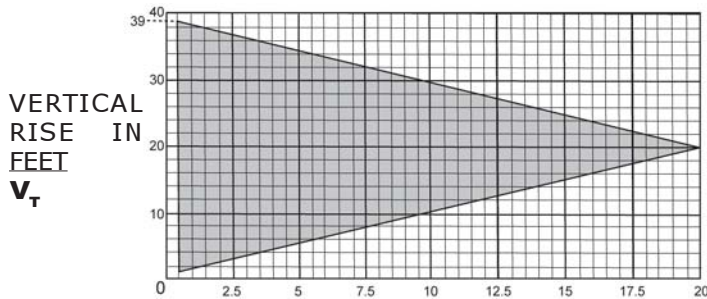
* the first 90° offset has a zero value and is shown in the formula as -90°

TOP EXIT / HORIZONTAL TERMINATION

FIGURE 4



See graph to determine the required vertical rise V_T for the required horizontal run H_T .



HORIZONTAL VENT RUN PLUS OFFSET IN FEET H_T
The shaded area within the lines represents acceptable values for H_T and V_T .

For vent configurations requiring more than one 90° elbow, the following formulas apply:

Formula 1: $H_T \leq V_T$
Formula 2: $H_T + V_T \leq 40$ feet

Example 1:

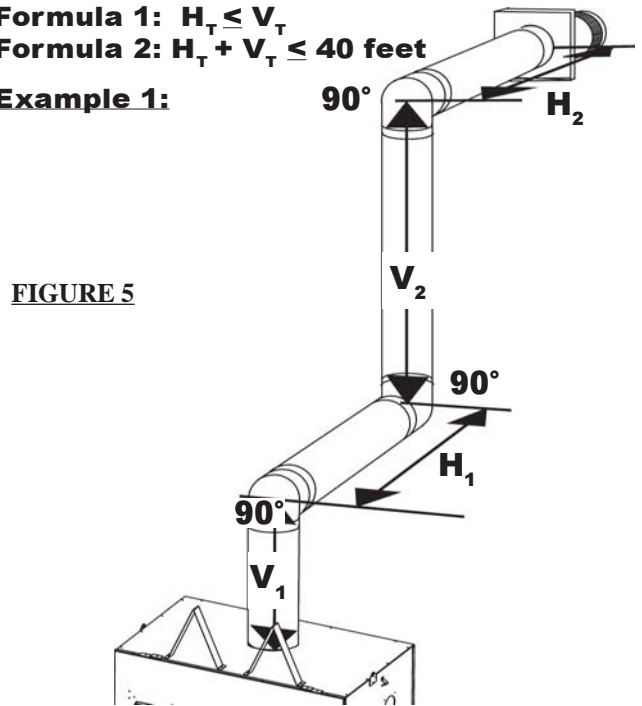


FIGURE 5

$V_1 = 3$ ft
 $V_2 = 8$ ft
 $V_T = V_1 + V_2 = 3 + 8 = 11$ ft
 $H_1 = 2.5$ ft
 $H_2 = 2$ ft
 $H_R = H_1 + H_2 = 2.5 + 2 = 4.5$ ft
 $H_o = .03(\text{three } 90^\circ \text{ elbows} - 90^\circ) = .03(270^\circ - 90^\circ) = 5.4$ ft
 $H_T = H_R + H_o = 4.5 + 5.4 = 9.9$ ft

$H_T + V_T = 9.9 + 11 = 20.9$ ft

Formula 1: $H_T \leq V_T$
 $9.9 \leq 11$

Formula 2: $H_T + V_T \leq 40$ feet
 $20.9 \leq 40$

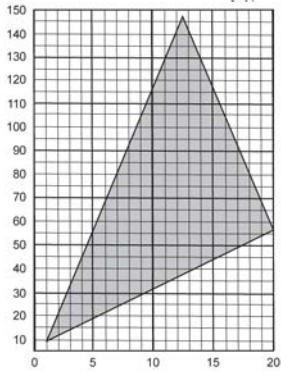
Since both formulas are met, this vent configuration is acceptable.

TOP EXIT / HORIZONTAL TERMINATION

when $(H_T) > (V_T)$
 Simple venting configuration (only one 90° elbow)

FIGURE 6

See graph to determine the required vertical rise V_T for the required horizontal run H_T .



REQUIRED VERTICAL RISE IN INCHES V_T

HORIZONTAL VENT RUN PLUS OFFSET IN FEET H_T

The shaded area within the lines represents acceptable values for H_T and V_T .

For vent configurations requiring more than one 90° elbow the following formulas apply:

Formula 1: $H_T \leq 4.2 V_T$

Formula 2: $H_T + V_T \leq 24.75$ feet

Example 2:

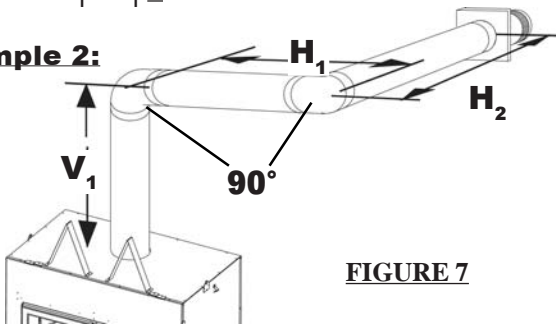


FIGURE 7

$V_1 = V_T = 6$ ft
 $H_1 = 3$ ft
 $H_2 = 5$ ft
 $H_R = H_1 + H_2 = 3 + 5 = 8$ ft
 $H_O = .03(\text{two } 90^\circ \text{ elbows} - 90^\circ) = .03(180^\circ - 90^\circ) = 2.7$ ft
 $H_T = H_R + H_O = 8 + 2.7 = 10.7$ ft
 $H_T + V_T = 10.7 + 6 = 16.7$

Formula 1: $H_T \leq 4.2 V_T$
 $4.2 V_T = 4.2 \times 6 = 25.2$ ft
 $10.7 \leq 25.2$

Formula 2: $H_T + V_T \leq 24.75$ feet
 $16.7 \leq 24.75$

Since both formulas are met, this vent configuration is acceptable.

Example 3:

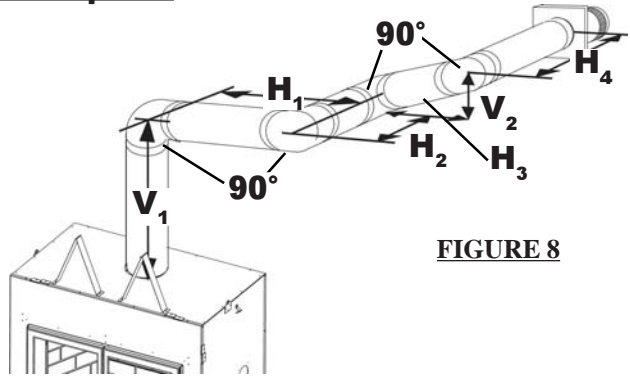


FIGURE 8

$V_1 = 4$ ft
 $V_2 = 1.5$ ft
 $V_T = V_1 + V_2 = 4 + 1.5 = 5.5$ ft
 $H_1 = 2$ ft
 $H_2 = 1$ ft
 $H_3 = 1$ ft
 $H_4 = 1.5$ ft
 $H_R = H_1 + H_2 + H_3 + H_4 = 2 + 1 + 1 + 1.5 = 5.5$ ft
 $H_O = .03(\text{four } 90^\circ \text{ elbows} - 90^\circ) = .03(360^\circ - 90^\circ) = 8.1$ ft
 $H_T = H_R + H_O = 5.5 + 8.1 = 13.6$ ft
 $H_T + V_T = 13.6 + 5.5 = 19.1$ ft

Formula 1: $H_T \leq 4.2 V_T$
 $4.2 V_T = 4.2 \times 5.5 = 23.1$ ft

$13.6 \leq 23.1$

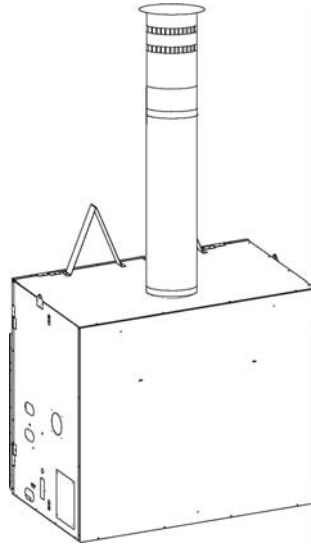
Formula 2: $H_T + V_T \leq 24.75$ feet
 $19.1 \leq 24.75$

Since both formulas are met, this vent configuration is acceptable.

TOP EXIT VERTICAL TERMINATION

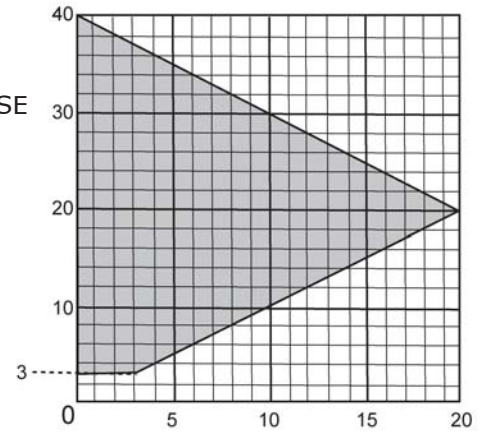
when $(H_T) \leq (V_T)$

FIGURE 9



See graph to determine the required vertical rise V_T for the required horizontal run H_T .

REQUIRED
VERTICAL RISE
IN FEET
 V_T



HORIZONTAL VENT RUN PLUS OFFSET IN FEET H_T
The shaded area within the lines represents acceptable values for H_T and V_T .

For vent configurations requiring more than zero 90° elbow (top exit) or one 90° elbow (rear exit), the following formulas apply:

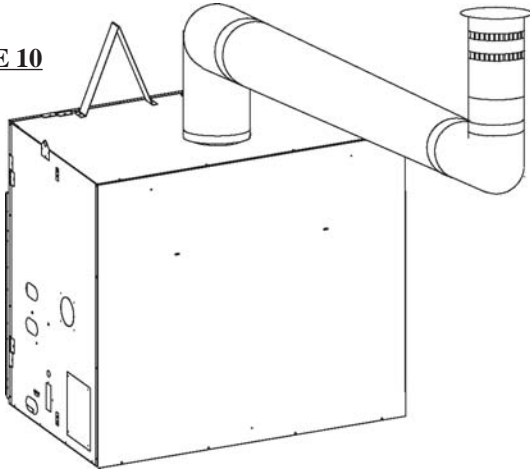
Formula 1: $H_T \leq V_T$

Formula 2: $H_T + V_T \leq 40$ feet

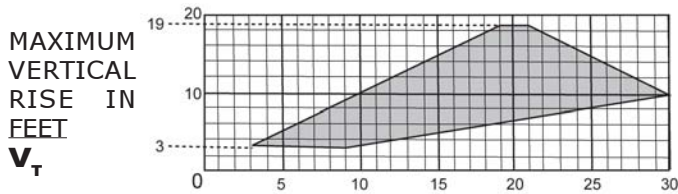
TOP VERTICAL TERMINATION

when $(H_T) > (V_T)$
Simple venting configurations

FIGURE 10



See graph to determine the required vertical rise V_T for the required horizontal run H_T .



HORIZONTAL VENT RUN PLUS OFFSET IN FEET H_T
The shaded area within the lines represents acceptable values for H_T and V_T .

For vent configurations requiring more than two 90° elbow (top exit) or one 90° elbow (rear exit), the following formulas apply:

- Formula 1:** $H_T \leq 3V_T$
- Formula 2:** $H_T + V_T \leq 40$ feet

Example 7:

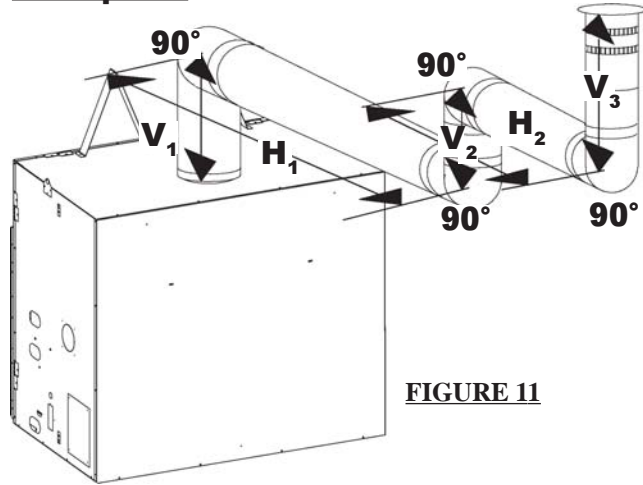


FIGURE 11

$$\begin{aligned}
 V_1 &= 2 \text{ ft} \\
 V_2 &= 1 \text{ ft} \\
 V_3 &= 1.5 \text{ ft} \\
 V_T &= V_1 + V_2 + V_3 = 2 + 1 + 1.5 = 4.5 \text{ ft} \\
 H_1 &= 6 \text{ ft} \\
 H_2 &= 2 \text{ ft} \\
 H_R &= H_1 + H_2 = 6 + 2 = 8 \text{ ft} \\
 H_o &= .03(\text{four } 90^\circ \text{ elbows} - 90^\circ) \\
 &= .03(90 + 90 + 90 + 90 - 90) = 8.1 \text{ ft} \\
 H_T &= H_R + H_o = 8 + 8.1 = 16.1 \text{ ft} \\
 H_T + V_T &= 16.1 + 4.5 = 20.6 \text{ ft}
 \end{aligned}$$

Formula 1: $H_T \leq 3V_T$
 $3V_T = 3 \times 4.5 = 13.5$
 $16.1 > 13.5$

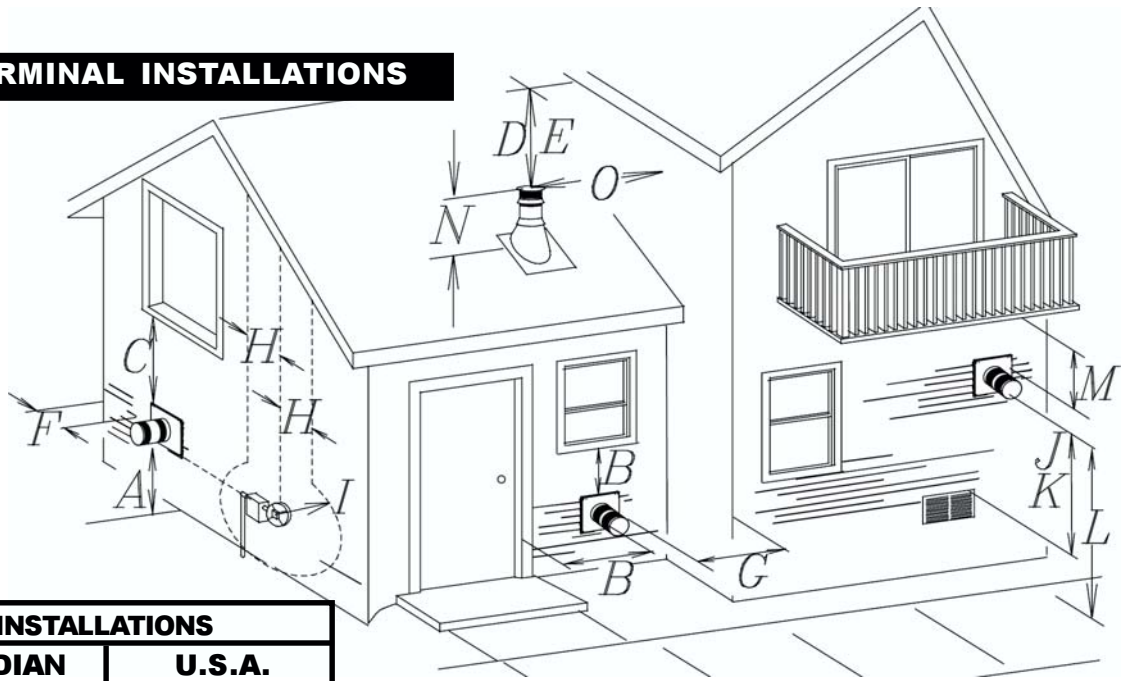
Since this formula is not met, this vent configuration is **unacceptable**.

Formula 2: $H_T + V_T \leq 40$ feet
 $20.6 \leq 40$

Since only formula 2 is met, this vent configuration is unacceptable and a new fireplace location or vent configuration will need to be established to satisfy both for-

AIR TERMINAL INSTALLATIONS

FIGURE 12



INSTALLATIONS			
	CANADIAN	U.S.A.	
A	12 INCHES	12 INCHES	Clearance above grade, veranda porch, deck or balcony.
B	12 INCHES	9 INCHES	Clearance to windows or doors that open.
C	12 INCHES*	12 INCHES*	Clearance to permanently closed windows.
D	18 INCHES**	18 INCHES**	Vertical clearance to ventilated soffit located above the terminal within a horizontal distance of 2 feet from the centerline of the terminal.
E	12 INCHES**	12 INCHES**	Clearance to unventilated soffit.
F	0 INCHES	0 INCHES	Clearance to an outside corner wall.
G	0 INCHES***	0 INCHES***	Clearance to an inside non-combustible corner wall or protruding non-combustible obstructions (chimney, etc.).
	2 INCHES***	2 INCHES***	Clearance to an inside combustible corner wall or protruding combustible obstructions (vent chase, etc.).
H	3 FEET	3 FEET****	Clearance to each side of the centerline extended above the meter / regulator assembly to a maximum vertical distance of 15ft.
I	3 FEET	3 FEET****	Clearance to a service regulator vent outlet.
J	12 INCHES	9 INCHES	Clearance to a non-mechanical air supply inlet to the building or a combustion air inlet to any other appliance.
K	6 FEET	3 FEET†	Clearance to a mechanical air supply inlet.
L	7 FEET‡	7 FEET****	Clearance above a paved sidewalk or paved driveway located on public property unless fitted with a heat shield kit GD-301.
M	12 INCHES††	12 INCHES****	Clearance under a veranda, porch, deck or balcony.
N	16 INCHES	16 INCHES	Clearance above the roof.
O	2 FEET†*	2 FEET†*	Clearance from an adjacent wall including neighbouring buildings.

* Recommended to prevent condensation on windows and thermal breakage

** It is recommended to use a heat shield and to maximize the distance to vinyl clad soffits.

*** The periscope GD-201 requires a minimum 18 inches clearance from an inside corner.

**** This is a recommended distance. For additional requirements check local codes.

† Three feet above if within 10 feet horizontally.

‡ A vent shall not terminate directly above a sidewalk or paved driveway that is located between two single family dwellings and serves both dwellings.

†† Permitted only if the veranda, porch, or deck is fully open on a minimum of two sides beneath the floor.

†* Recommended to prevent recirculation of exhaust products. For additional requirements check local codes.

INSTALLATION

WALL AND CEILING PROTECTION

FOR SAFE AND PROPER OPERATION OF THE FIREPLACE, FOLLOW THE VENTING INSTRUCTIONS EXACTLY.

A 2" CLEARANCE IS REQUIRED AROUND THE VENT PIPE.

HORIZONTAL INSTALLATION

This application occurs when venting through an exterior wall. Having determined the air terminal location, cut and frame a hole in an exterior wall. The recommended framed opening is $14\frac{7}{16}$ " W x 13" H with a minimum $12\frac{1}{2}$ " round or square opening inside a finished wall. See figure 15.

1. Mark and cut the vent pipe shield to the determined depth of the combustible wall. Apply a bead of caulking (not supplied) to the framework or to the shield plate (in the case of a finished wall) and secure the shield through the opening to the interior wall. The final location of the vent pipe shield should maintain the required clearance to the 8" vent pipe / liner. (See note above). Do not fill this cavity with any type of material. Apply a bead of caulking all around and place a firestop spacer over the vent shield to restrict cold air from being drawn into the room or around the fireplace. Ensure that both spacer and shield maintain the required clearance to combustibles. Once the vent pipe / liner is installed in its final position, apply sealant between the pipe / liner and the firestop spacer.

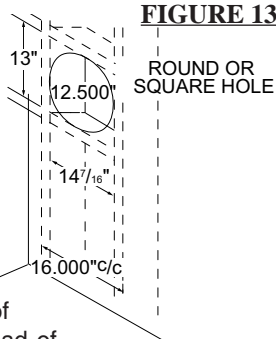
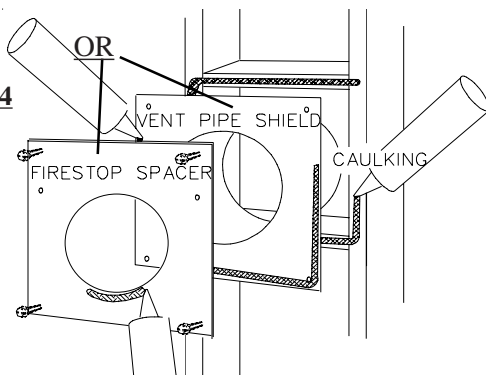


FIGURE 13

ROUND OR SQUARE HOLE

FIGURE 14



SHOWN FROM INSIDE THE STRUCTURE

VERTICAL INSTALLATION

This application occurs when venting through a roof. Installation kits for various roof pitches are available from your Napoleon dealer. See Accessories to order the specific kit required.

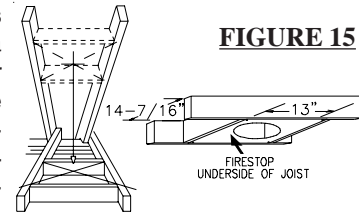


FIGURE 15

1. Determine the air terminal location, cut and frame $14\frac{7}{16}$ " W x 13" H openings in the ceiling and the roof to provide the minimum 2 inch clearance between the fireplace pipe / liner and any combustible material. Try to centre the exhaust pipe location midway between two joist to prevent having to cut them. Use a plumb bob to line up the centre of the openings. DO NOT FILL THIS SPACE WITH ANY TYPE OF MATERIAL.

A vent pipe shield will prevent any materials such as insulation, from filling up the 1" air space around the pipe. Nail headers between the joist for extra support.

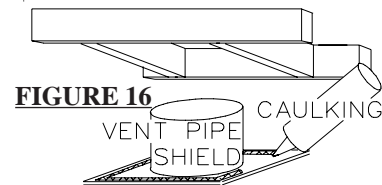


FIGURE 16

VENT PIPE SHIELD
CAULKING

2. Apply a bead of caulking (not supplied) to the framework or to the Wolf Steel vent pipe shield plate or equivalent (in the case of a finished ceiling), and secure over the opening in the ceiling. A firestop must be placed on the bottom of each framed opening in a roof or ceiling that the venting system passes through. Apply a bead of caulking all around and place a firestop spacer over the vent shield to restrict cold air from being drawn into the room or around the fireplace. Ensure that both spacer and shield maintain the required clearance to combustibles. Once the vent pipe / liner is installed in its final position, apply sealant between the pipe / liner and the firestop spacer.

USING FLEXIBLE VENT COMPONENTS

Use only approved aluminum flexible liner kits marked:



"Wolf Steel Approved Venting" as identified by the stamp only on the 8" outer liner.

HORIZONTAL AIR TERMINAL INSTALLATION

1. Cut or frame a hole in an exterior wall with a minimum round or square opening of 12¹/₂" W x 12¹/₂" H. Secure the firestop spacer over the opening to the interior wall. Secure the terminal to the terminal extension plate (see figure 19).

2. Stretch the 5" diameter aluminum flexible liner to the required length taking into account the additional length needed for the finished wall surface. Slip the liner a minimum of 2" over the inner sleeve of the air terminal and secure with 3 #8 screws. Apply a heavy bead of the high temperature sealant (W573-0007 not provided).

3. Using the 8" diameter flexible aluminum liner, slide over the outer combustion air sleeve of the air terminal and secure with 3 #8 screws. Seal as before.

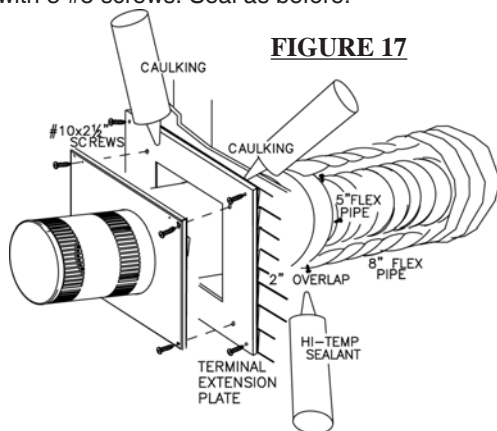


FIGURE 17

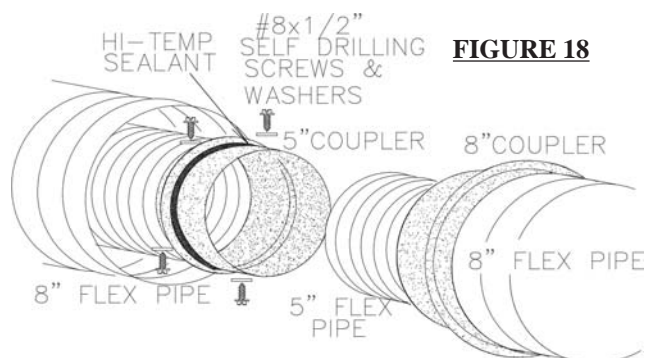


FIGURE 18

For safe and proper operation of the fireplace, follow the venting instructions exactly.

All inner exhaust and outer intake vent pipe joists may be sealed using either Red RTV high temp silicone sealant or Black high temp Mill Pac with the exception of the fireplace exhaust flue collar which must be sealed using Mill Pac (not supplied).

4. Insert the liners through the firestop maintaining the required clearance to combustibles. Secure to the exterior wall and make weather tight by sealing with caulking (not supplied).

5. Apply a heavy bead of the high temperature sealant, not supplied with the unit, to the inside of the 5" liner approximately 1" from the end. Slip the liner a minimum of 2" over the fireplace vent collar and secure with 3 #8 screws.

6. Using the 8" diameter flexible aluminium liner, apply sealant, slide a minimum of 2" over the fireplace combustion air collar and secure with 3 #8 screws.

VERTICAL AIR TERMINAL INSTALLATION

1. Fasten the roof support to the roof using the screws provided. The roof support is optional.

In this case the venting is to be adequately supported using either an alternate method suitable to the authority having jurisdiction or the optional roof support.

2. Stretch the 5" diameter aluminium flexible liner to the required length. Slip the liner a minimum of 2" over the inner sleeve of the air terminal and secure with 3 #8 screws. Seal using a heavy bead of the high temperature sealant (W573-0007 not supplied).

3. Repeat using 8" diameter aluminium flexible liner.

4. Thread the air terminal pipe assembly down through the roof. The air terminal must be located vertically and plumb. Attach the air terminal assembly to the roof support, ensuring that a minimum 16" of air terminal will penetrate the roof when fastened.

DO NOT CLAMP THE FLEXIBLE ALUMINIUM LINER.

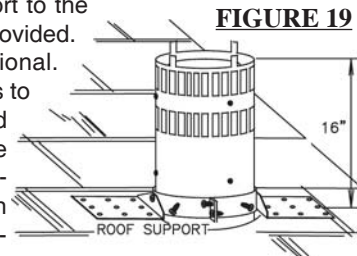


FIGURE 19

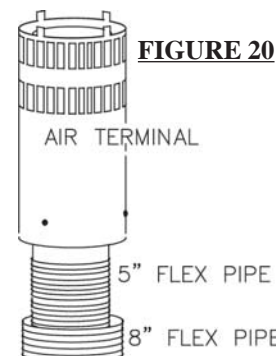


FIGURE 20

5. Remove nails from the shingles, above and to the sides of the chimney. Place the flashing over the air terminal and slide it underneath the sides and upper edge of the shingles. Ensure that the air terminal is properly centred within the flashing, giving a 3/4" margin all around. Fasten to the roof. Do **not** nail through the lower portion of the flashing. Make weather-tight by sealing with caulking. Where possible, cover the sides and top edges of the flashing with roofing material.

6. Apply a heavy bead of weatherproof caulking 2 inches above the flashing. Slide the storm collar around the air terminal and down to the caulking. Tighten to ensure that a weather-tight seal between the air terminal and the collar is achieved. Attach the other storm collar centred between the air intake and the air exhaust slots onto the air terminal. Tighten securely. Attach the vertical rain cap.

Spacers are attached to the 5" inner flex liner at predetermined intervals to maintain a 1-1/4" air gap to the 8" outer liner. These spacers must not be removed.

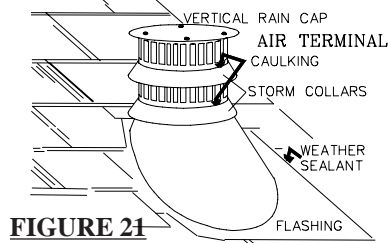


FIGURE 21

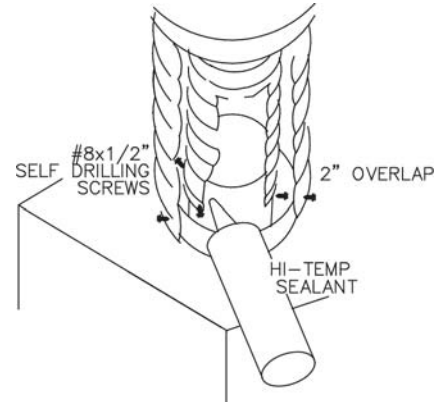
7. If more liner needs to be used to reach the fireplace, couple them together as illustrated. The vent system must be supported approximately every 3 feet for both vertical and horizontal runs. Use noncombustible strapping to maintain a clearance to combustibles of 1".

FIREPLACE VENT CONNECTION

1. Install the 5 inch diameter aluminium flexible liner to the fireplace. Secure with 3 screws and flat washers. Seal the joint and screw holes using the high temperature sealant (W573-0007 not provided).

2. Install the 8 inch diameter aluminium flexible liner to the fireplace. Attach and seal the joints.

FIGURE 22



USING RIGID VENT COMPONENTS

The vent system must be supported approximately every 3 feet for both vertical and horizontal runs. Use Wolf Steel vent spacers or equivalent every 3 feet and either side of each elbow to maintain the minimum 1 1/4" clearance between the outer and inner vent pipes. Use Wolf Steel support ring assembly or equivalent noncombustible strapping to maintain the minimum clearance to combustibles for both vertical and horizontal runs.

All inner exhaust and outer intake vent pipe joists may be sealed using either Red RTV high temp silicone sealant or Black high temp Mill Pac with the exception of the fireplace exhaust flue collar which must be sealed using Mill Pac (not supplied).

2. Apply high temperature sealant (W573-0007 not provided) to the outer edge of the 5" inner collar of the fireplace. Attach the first vent component and secure using 3 self tapping screws. Repeat using 8" piping.

3. Holding the air terminal (with the air deflectors to the top and the lettering in an upright, readable position) insert the terminal into both vent pipes with a twisting motion to ensure that both the terminal sleeves engage into the vent pipes and sealant. Secure the terminal to the exterior wall and make weather tight by sealing with caulking (not supplied).

HORIZONTAL AIR TERMINAL INSTALLATION

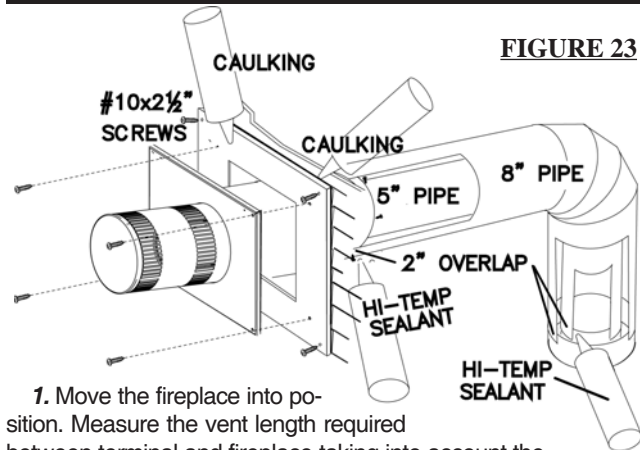


FIGURE 23

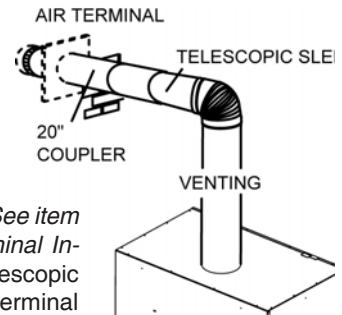
1. Move the fireplace into position. Measure the vent length required between terminal and fireplace taking into account the additional length needed for the finished wall surface and any 1 1/4" overlaps between venting components.

EXTENDED HORIZONTAL AIR TERMINAL INSTALLATION

1. Follow the instructions for "Horizontal Air Terminal Installations", items 1 to 3.

2. Continue adding components alternating inner and outer venting. Ensure that all 5" venting and elbows have sufficient vent spacers attached and each component is securely fastened to the one prior. Attach the 5" telescopic sleeve to the vent run.

Repeat using a 8" telescopic sleeve. Secure and seal as before. To facilitate completion, attach 5" and 8" couplers to the air terminal.



3. Install the air terminal. See item 3 of the Horizontal Air Terminal Installation. Extend the 5" telescopic sleeve; connect to the air terminal assembly. Fasten with self tapping screws and seal. Repeat using the 8" telescopic sleeve.

FIGURE 24

VERTICAL VENTING INSTALLATION

1. Move the fireplace into position.
2. Fasten the roof support to the roof using the screws provided. The roof support is optional. In this case the venting is to be adequately supported using either an alternate method suitable to the authority having jurisdiction or the optional roof support.

3. Apply high temperature sealant (W573-0007 not provided) to the outer edge of the inner sleeve of the air terminal. Slip a 5" diameter coupler a minimum of 2" over the sleeve and secure using 3 screws.

4. Apply high temperature sealant to the outer edge of the of the outside sleeve of the air terminal. Slip a 8" diameter coupler over the sleeve and secure as before. Trim the 8" coupler even with the 5" coupler end.

5. Thread the air terminal pipe assembly down through the roof support and attach, ensuring that a minimum 16" of air terminal will penetrate the roof when fastened. **If the attic space is tight, we recommend threading the Wolf Steel vent pipe collar or equivalent loosely onto the air terminal assembly as it is passed through the attic.** The air terminal must be located vertically and plumb.

6. Remove nails from the shingles, above and to the sides of the chimney. Place the flashing over the air terminal and slide it underneath the sides and upper edge of the shingles. Ensure that the air terminal is properly centred within the flashing, giving a 3/4" margin all around. Fasten to the roof. Do NOT nail through the lower portion of the flashing. Make weather-tight by sealing with caulking. Where possible, cover the sides and top edges of the flashing with roofing material.

7. Apply a heavy bead of waterproof caulking 2 inches above the flashing. Slide the storm collar around the air terminal and down to the caulking. Tighten to ensure that a weather-tight seal between the air terminal and the collar is achieved. Attach the other storm collar centred between the air intake and air exhaust slots onto the air terminal. Tighten securely. Attach the rain cap.

8. Continue adding rigid venting sections, sealing and securing as above. Attach a 5" collapsed telescopic pipe to the last section of rigid piping. Secure with screws and seal. Repeat using a 8" telescopic pipe.

9. Run a bead of high temperature sealant around the outside of the 5" collar on the fireplace. Pull the adjustable pipe a minimum of 2" onto the collar. Secure with 3 screws. Repeat with the 8" telescopic pipe.

10. In the attic, slide the vent pipe collar down to cover up the open end of the shield and tighten. This will prevent any materials, such as insulation, from filling up the 1" air space around the pipe.

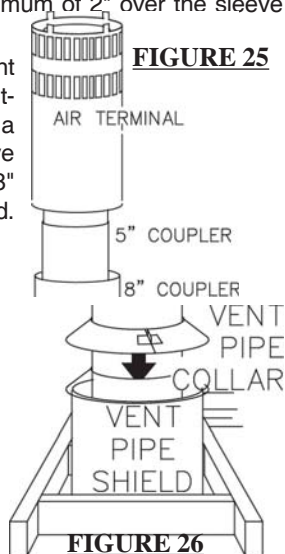


FIGURE 25

VENT PIPE COLLAR

VENT PIPE SHIELD

FIGURE 26

GAS INSTALLATION

Proceed once the vent installation is complete.

Note: All gas connections must be contained within the fireplace when complete.

1. The fireplace is designed to accept a 1/2" gas supply line. The fireplace is equipped with a 1/2" manual shut-off valve, and an 18" listed flexible gas connector.



FIGURE 27

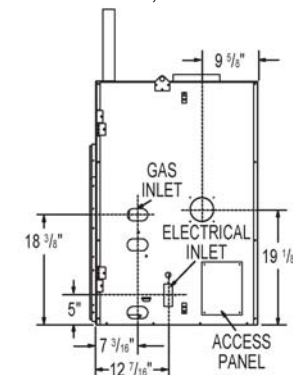


FIGURE 28

2. The access to the gas inlet is located on the right side of the outer shell.

3. To ease the connection, the shut off can be flexed out through the side of the fireplace where the connection can be made.

4. When flexing any gas line, support the gas valve so that the lines are not bent. (see Access Pg. 20).

5. Check for gas leaks by brushing on a soap and water solution. **Do not use open flame.**

RESTRICTING VERTICAL VENTS

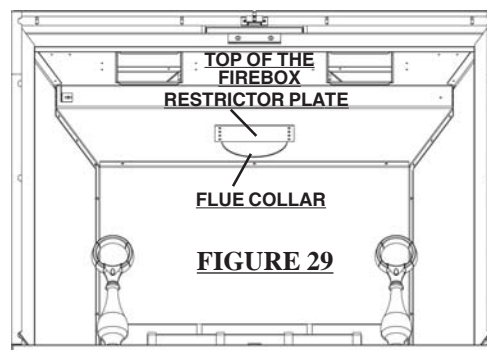


FIGURE 29

Vertical terminations may display a very active flame. If this appearance is not desirable, the vent exit must be restricted using restrictor plate, W500-0205. This reduces the velocity of the exhaust gases, slowing down the flame pattern and creating a more traditional appearance.

The plate has a series of holes to allow for adjustment. Remove the two screws on either side of the exhaust collar inside the firebox. Install the plate in the desired set of holes, then replace the screws.

FRAMING

The Madison can be installed with either an arched opening (FK80-A) or a rectangular opening (FK80-R) using one of the above kits.

The framing kits serve two purposes. They are necessary if optional doors (DK80) are to be installed.

Secondly, they act as a reference when finishing to the fireplace opening.

The FK80 is designed to accommodate 1/2" to 1 1/2" finishing material. They are adjustable to ensure doors open fully. If finishing material is thicker than 1 1/2", an optional extension kit is available (EK80).

It is best to frame your fireplace after it is positioned and the vent system is installed. Use 2x4's and frame to local building codes.

Note: In order to avoid the possibility of exposed insulation or vapour barrier coming in contact with the fireplace body, it is recommended that the walls of the fireplace enclosure be "finished" (ie: drywall/sheetrock), as you would finish any other outside wall of a home. This will ensure that clearance to combustibles is maintained within the cavity.

For convenience, the stand-offs have been shipped flat. Before framing, ensure the stand-offs are opened and screwed in place.

It is not necessary to install a hearth extension, but the fireplace should be raised to be flush with either the hearth or the finished floor.

When roughing in the fireplace, raise the fireplace to accommodate for the thickness of the finished floor materials, i.e. tile, carpeting, hard wood, which if not planned for will interfere with the removal of the hearth strip, which must be removed to access the firebox.

Objects placed in front of the fireplace should be kept a minimum of 48" away from the front face.

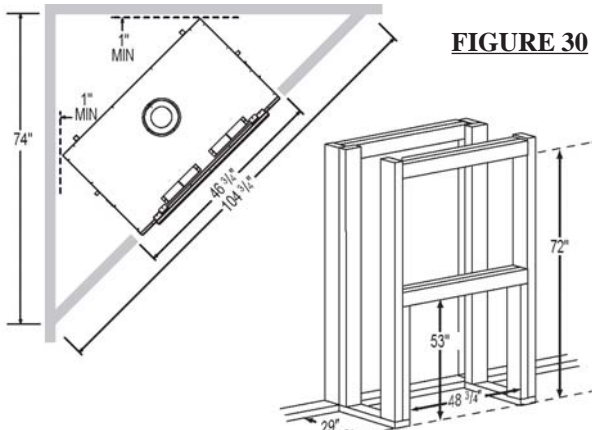


FIGURE 30

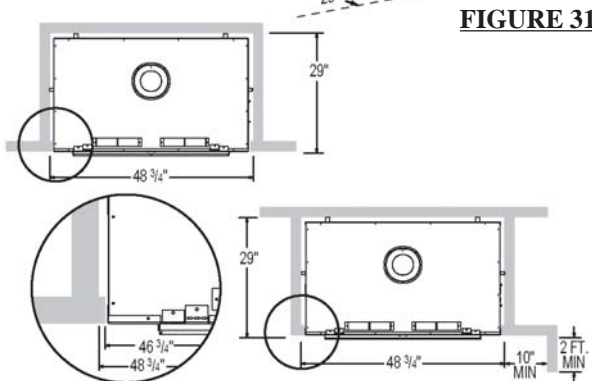


FIGURE 31

CLEARANCE TO COMBUSTIBLES

MAINTAIN THESE MINIMUM CLEARANCES TO COMBUSTIBLES:

- Fireplace framing - 0" to stand-offs (top, rear & sides)
- Fireplace finishing - 5 3/8" to sides of fireplace opening.
- 23 3/8" to top of fireplace opening.

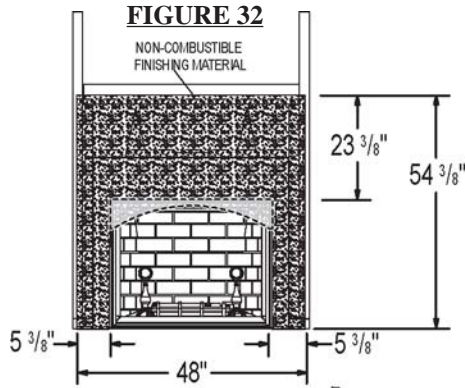


FIGURE 32

Non-combustible finishing material (ie: cement board, brick, stone, tile) may be used to finish the front of the unit.

IMPORTANT:

The Madison requires a minimum inside enclosure height of 72".

For temperature requirements, this area must be left unobstructed.

It is recommended that the enclosure be ventilated at the top and bottom to circulate the hot air.

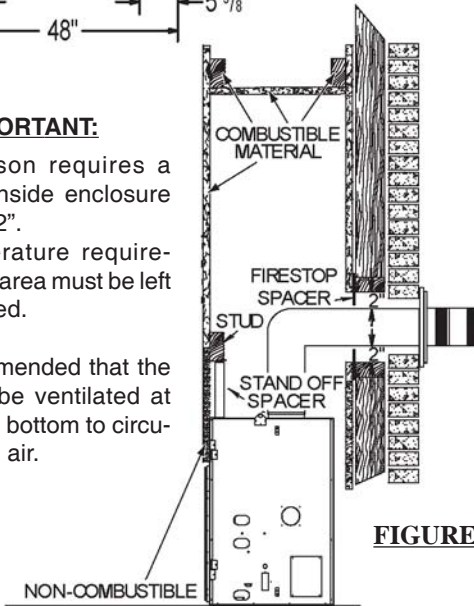


FIGURE 33

WARNING

Facing and/or finishing material must never overhang into the fireplace opening.

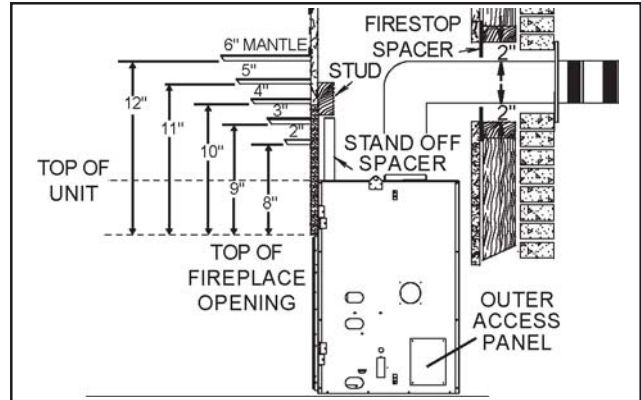
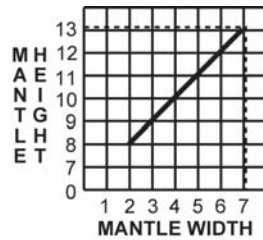
Do not distort or force the frame kit components.

When using a rough finish material (i.e.; stone), maintain a 1/4" - 1/2" border from the framing components.

MANTLE CLEARANCES

Combustible mantle clearance can vary according to the mantle depth. Use the graph to help evaluate the clearance needed.

FIGURE 34



ELECTRICAL CONNECTION

Do NOT use the fireplace if any part has been under water.

Call a qualified service technician IMMEDIATELY to have the fireplace inspected for damage to the electrical circuit.

If access to the control area is necessary BEFORE INSTALLATION, remove the access panel.

The access panel must be re-installed before operating the unit.

HARD WIRING CONNECTION

It is necessary to hard wire this fireplace.

Permanently framing the fireplace with an enclosure, requires the fireplace junction box to be hardwired.

This fireplace must be electrically connected and grounded in accordance with local codes. In the absence of local codes, use the current CSA C22.1 CANADIAN ELECTRICAL CODE in Canada or the ANSI/NFPA 70-1996 NATIONAL ELECTRICAL CODE in the United States.

SCHEMATIC

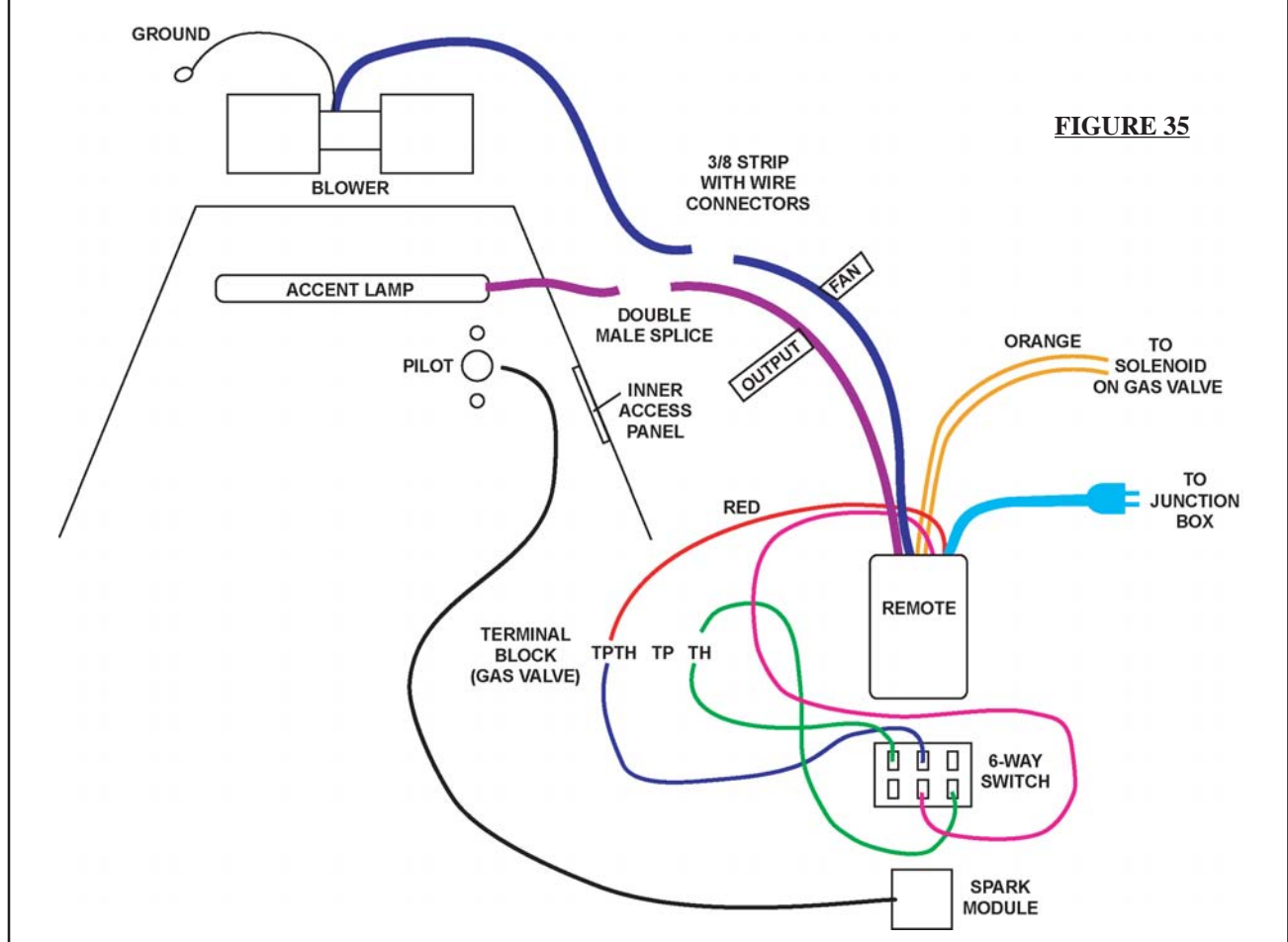


FIGURE 35

FINISHING

DOOR REMOVAL

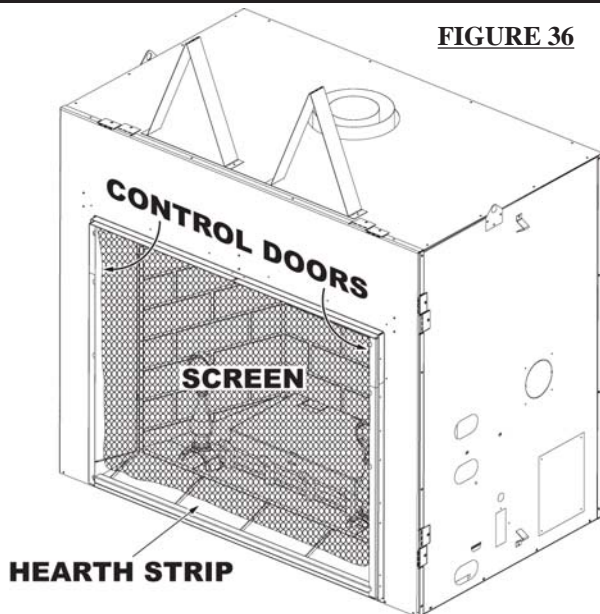


FIGURE 36

Before the glass door can be removed, the control doors must be removed and the hearth strip and screen assembly must be removed.

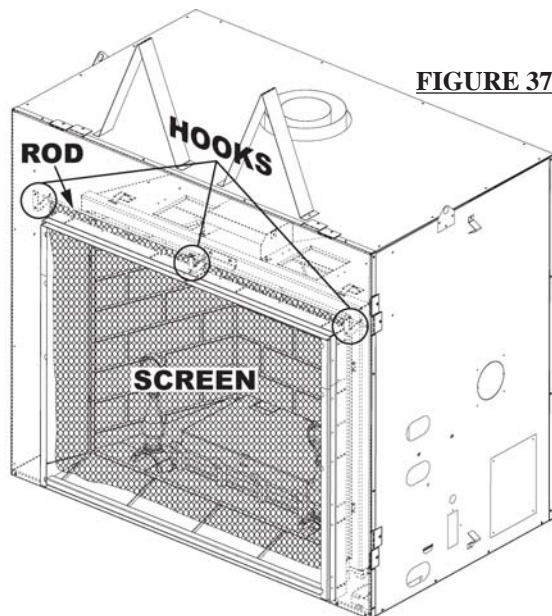
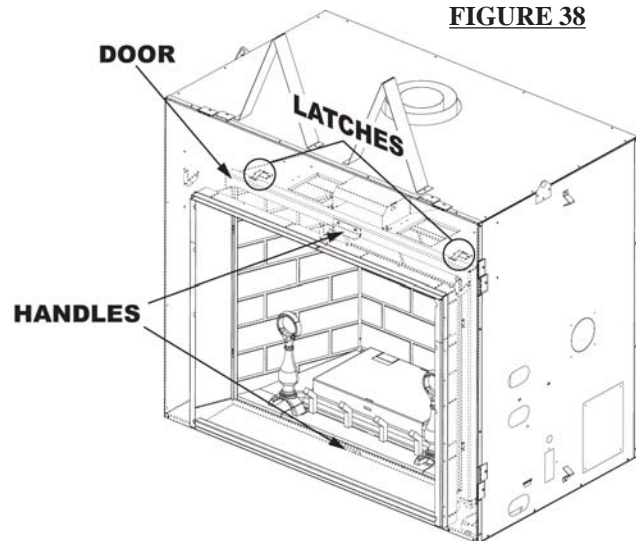


FIGURE 37

Lift the hearth strip up and away from the front of the fireplace. The curtain assembly can be removed by lifting the rod out from the three hooks at the top inside edge of the door opening.

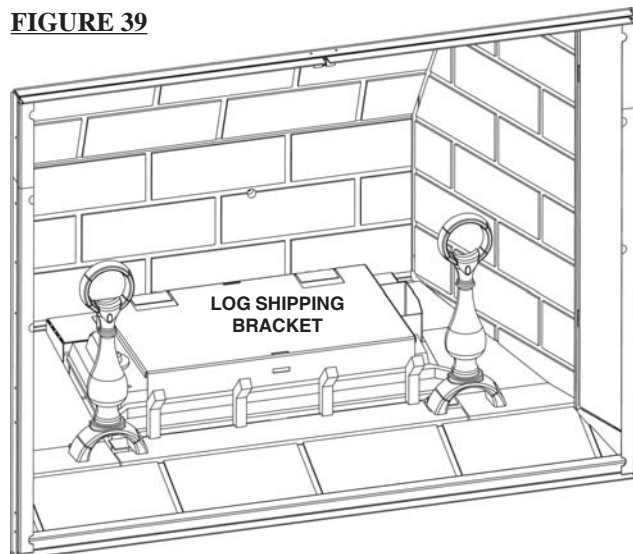
FIGURE 38



The glass door is secured to the top front edge of the firebox. Pull the handle of the latch forward, then lift the hook out from the slot in the door frame to release the top of the door. Lift the door out from the retainer along the bottom of the door using the top and bottom handles. Pull the bottom edge of the door out from the fireplace until the top will pivot forward.

LOG SHIPPING BRACKET

FIGURE 39



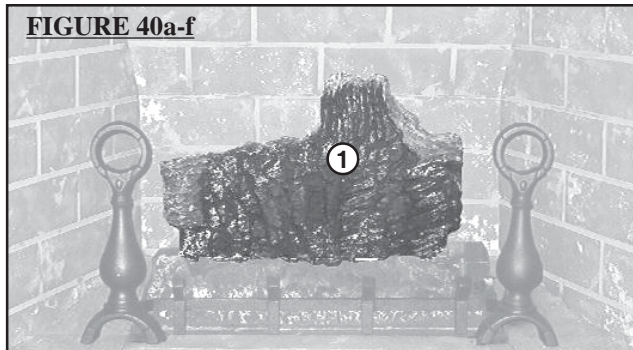
Before installing the logs, you must first remove the log shipping bracket. Lift up to remove.

Decorative brick panels must be installed before the logs.
See installation instructions supplied with the panel kit.

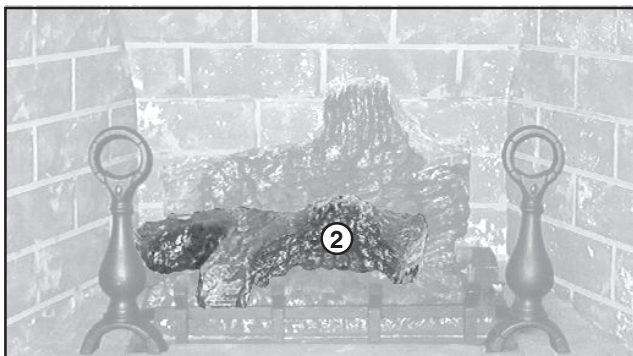
LOG PLACEMENT

PHAZER™ logs, exclusive to Napoleon Fireplaces, provide a unique and realistic glowing effect that is different in every installation. *The madison logs are fuel specific. Do not interchange. Refer to the replacement parts list.*

FIGURE 40a-f



1. Place the rear log #1 onto the locating studs along the back edge of the PHAZERAMIC™ burner.



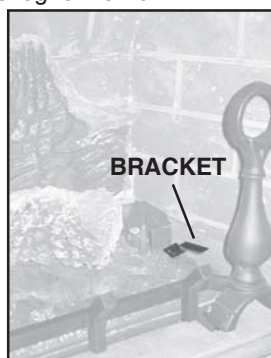
2. Position log #2 onto the locators on the PHAZERAMIC™ burner.



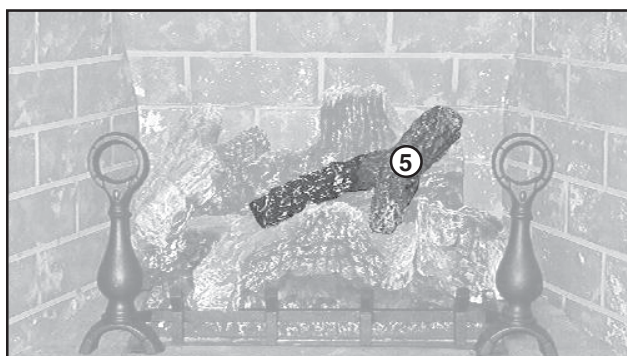
3. Position the slot on the bottom of log #3 onto the bracket shown with the charred face of the log to the front.

Note

For propane, remove the screw from the #3 log support bracket. Move the bracket to the right most location, then install the log.



4. Place log #4, with the charred branch pointed inward. Locate the pins into the holes in log#1 and log#2, this will hold the rear log in position.



5. Place the end of log #5 on the right end of log #1. The fork in the log should straddle the knot on top of log #2.

GLOWING EMBERS

Glowing embers are NOT recommended. The burner has been designed to achieve maximum glow without embers.

BAFFLE INSTALLATION

Your fireplace has been supplied with the decorative brick panels installed, however, it is necessary to install the fibre baffle, on top of the side and rear panels.

CHARCOAL EMBERS

Charcoal provided could be randomly placed on the fibre hearth on both sides of the burner, and across the front, especially at the hearth joint.

Log colours may vary. During the initial use of the fireplace, the colours will become more uniform as colour pigments burn in during the heat activated curing process.

Positioning the logs improperly will cause flame impingement and carboning.

Blocked burner ports can cause an incorrect flame pattern, carbon deposits and delayed ignition. PHAZER™ logs glow when exposed to direct flame. Use only certified PHAZER™ logs available from your Napoleon dealer.

LAMP REPLACEMENT

1. Turn off the power to the unit.
2. Turn off the gas valve.
3. Remove the door and logs.

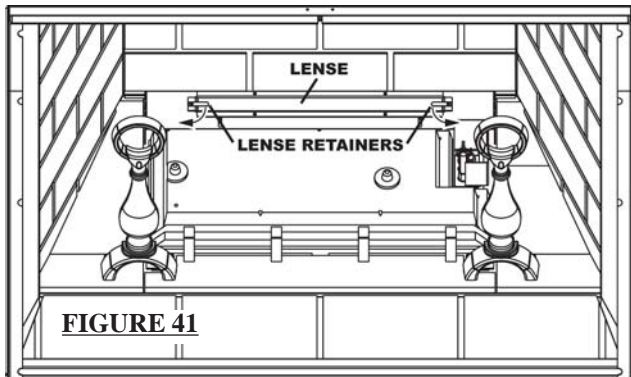


FIGURE 41

4. Loosen the lense retainer screws and pivot the retainers out of the way.
5. Using a small flat screwdriver, gently lift the orange lense from the housing.

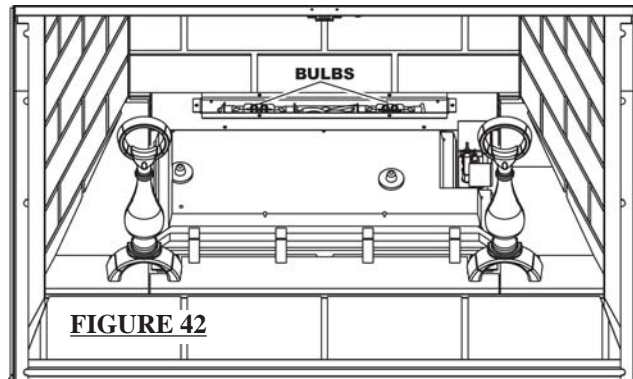


FIGURE 42

6. Slide the defective bulb to either side until the opposite end is disengaged. Remove the bulb lifting the disengaged end.
7. Replace with a 75 watt halogen lamp (E-11 BASE). **Install the replacement bulb using the protective wrap to avoid touching the lense, then discard the protective wrap.**
8. Repeat steps 5 - 1 for installation.

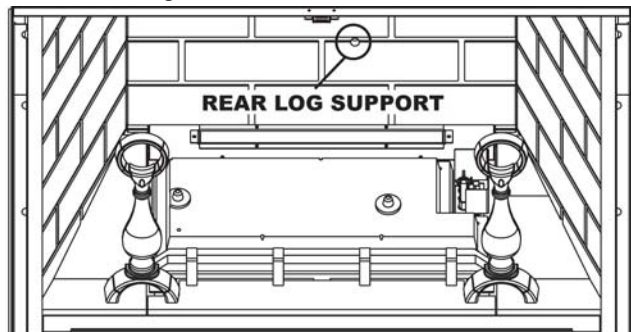
BLOWER REPLACEMENT

The Napoleon MADISON comes equipped with a heat circulating blower. The blower is pre-wired and is controlled by the remote control supplied with the unit. For control details, see operation. Pg . 22.

Drywall dust will penetrate into the blower bearings, causing irreparable damage. Care must be taken to prevent drywall dust from coming into contact with the blower or its compartment. Any damage resulting from this condition is not covered by the warranty policy.

1. Turn off the power to the fireplace.
2. Turn off the gas valve.

FIGURE 43



3. Remove the glass door, logs, rear log support, side brick panels, rear baffle, and rear panel.

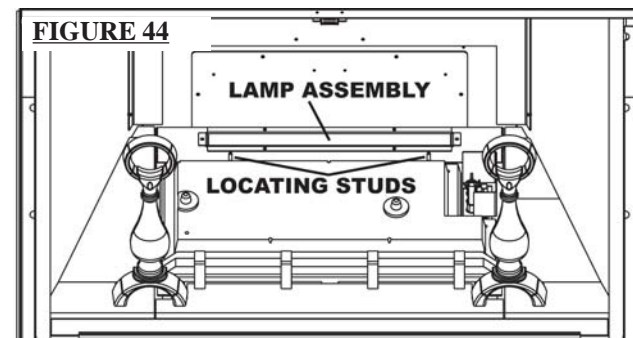


FIGURE 44

4. To remove the lamp assembly, remove the two log locating studs located just behind the main burner. It is not necessary to disconnect the wires, the assembly can lay along the right side of the firebox.

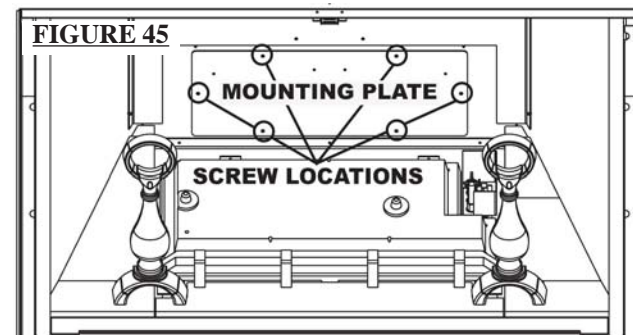


FIGURE 45

5. The blower mounting plate can now be removed. Remove the six screws that secure the plate to the firebox back. The blower is secured to this plate.
6. Disconnect the wire connectors and ground before attempting to remove the blower from the plate.
7. When re-installing the replacement blower, it will be necessary to replace the gasket (W290-0091) on the cover plate.

REMOTE AND VALVE ACCESS

INNER ACCESS DOOR

The control area can be accessed either through the control door or through the access door inside the firebox.

Follow the door removal instructions. Remove the right side panel. Remove the four screws from the access door.

Note: A new gasket will be required, when re-installing the door (see replacement parts).

CONTROL DOOR

1. Remove the hearth strip.
2. Open the right control door.
3. Remove the switch plate by pulling on the left side.
4. Remove the valve housing by pulling on the handle.
5. Lift up and set the housing towards the back of the fire place.

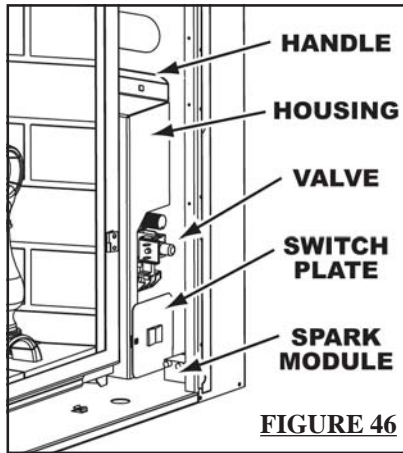


FIGURE 46

FIGURE 47

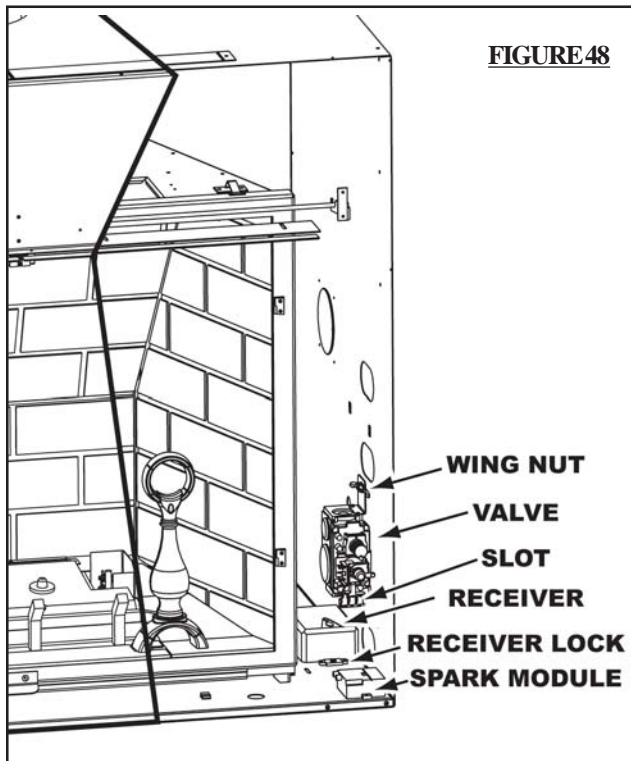
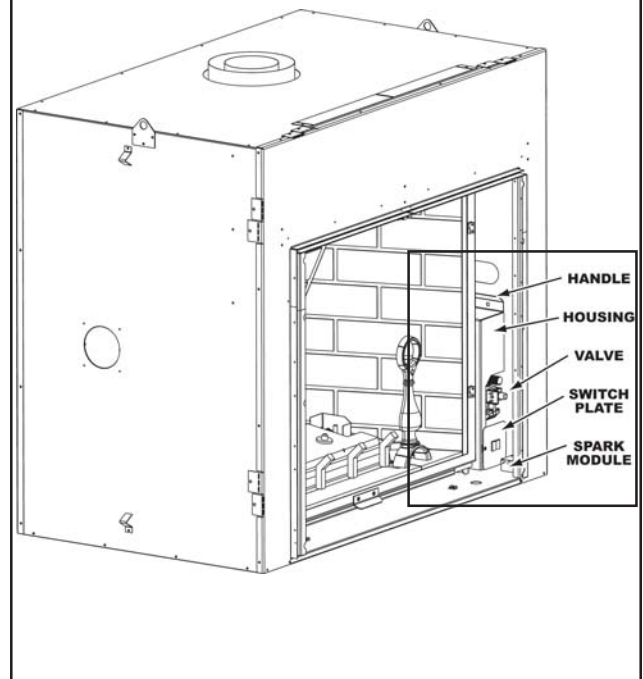


FIGURE 48

REMOTE RECEIVER REMOVAL

1. Unplug the cord from the junction box
2. Pull the the tab on the receiver lock forward.
3. Pull up on the receiver and disconnect the wires.
4. Install the new receiver (*see schematic Pg.23*).

VALVE REMOVAL

The valve on the Madison is piped with two flex connectors (one inlet, one outlet).

It can be removed or pulled forward for service.

1. Remove the wing nut and pivot the valve out from the slot at the bottom of the valve.
2. Slowly pull the valve through the control door careful not to kink the gas lines or wires.

OPERATION / MAINTENANCE

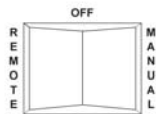
FIREPLACE OPERATION

To operate the gas fireplace, the pilot needs to be running and the gas valve turned to the on position.

You can run the fireplace on manual or remote.

When operating the main burner on manual without power, the fireplace will operate on low input only.

FIGURE 49



THE MADISON™

Turn the main power switch to **manual** to operate the gas features of the fireplace in the event of a power failure.

Turn the main power switches to **remote** to operate with the gas and the electric features of the fireplace **with the remote** or thermostat.

With power, the manual position operates the same as the remote position with the exception of the ability to turn off the gas.

Turn the main power switch to the **off** position to disable both the gas and the electric features of the fireplace.

To configure the remote transmitter to the receiver, see "Privacy Code".

HAND HELD REMOTE OPERATION

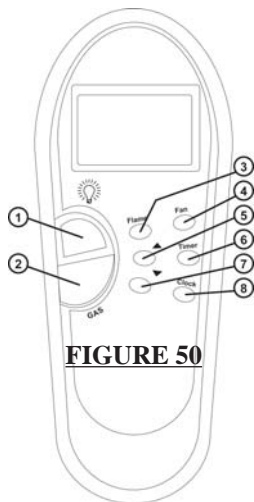


FIGURE 50

1. Turns accent light on/off.
2. Turns gas flame on/off.
3. Activates gas flame adjustment.
4. Activates fan adjustment.
5. Adjusts options #3 & #4 up.
6. Sets the timer.
7. Adjusts options #3 & #4 down.
8. Sets the time.

MANUAL / THERMOSTAT OPERATION

Thermostatic control automatically cycles the fireplace on and off to maintain the desired room temperature. To turn the fireplace burner on, press the gas button. The LCD will display the "Auto" / "OFF" status. Set the desired room temperature using the up or down arrow keys. **If the temperature of the room exceeds the set temperature, the thermostat will automatically turn the fireplace off.**

Note: If a blower is connected, the thermostatic control will also turn off the blower when the fireplace is turned off.

TO SET THE TIME

Press and hold the CLOCK button until the *hour* flashes. Adjust the hour using the up or down keys. Press the CLOCK button again to confirm the hour and change to *minutes*. Again, adjust the minutes using the up or down keys. Finally, press the CLOCK button twice to confirm the settings and return to normal, operating mode.

W415-0447/B/05.24.05

TIMER OPERATION

The timer setting is used to maintain the desired room temperature for a specific length of time (1 to 120 minutes) that you want the fireplace to operate.

Press the TIMER button once. The LCD will blink "_ _ _". Adjust the time using the up or down arrow keys. (The LCD displays the time chosen.) Press the TIMER button to engage the timer. (When time has expired, the LCD switches to off and displays "_ _ _".)

FLAME HEIGHT

1. With "Auto" displayed, pushing the button marked "flame height" will display a flame image and the current flame setting.
2. Use "UP" "DOWN" buttons to choose 3 different flame levels: 1, 2, 3.

FAN SPEED

1. Pushing the button marked "fan speed" will display a fan image.
2. Use "UP" "DOWN" buttons to choose 3 different fan levels: 1, 2, 3.

PRIVACY CODE

1. Remove the cover on the back of the remote transmitter to expose the code switches. Slide the code switches to your choice of ON or OFF positions. Factory settings are all "OFF".
2. Remove power from the remote receiver by unplugging the power cord or turning power off at the circuit breaker.
3. Take the remote transmitter close to the remote receiver (less than 5 feet from the remote receiver is recommended).
4. Turn on the remote receiver.
5. Install fresh AAA alkaline batteries into the remote transmitter. The LCD on the remote transmitter will blink.
6. Press a button on the remote transmitter. The remote receiver will produce a "beep" sound when it receives the code from the remote transmitter.
7. If you do not hear a "beep" sound from the remote receiver, remove batteries from the remote transmitter and power from the remote receiver. Wait for 1 minute and repeat steps 3 to 6.
8. Replace the cover of the remote transmitter and the receiver. The system is now ready to operate.
9. If you desire to operate multiple remote receivers with one remote transmitter, continue to hold the button on the remote transmitter as you bring the remote transmitter within 5 feet of each remote receiver then slide the switch on the remote receivers to ON position. Each will acknowledge receipt of coding with a beep.



CODE SWITCHES

CHILD-PROOF FUNCTION

When used in this mode, the remote transmitter will work normally but the buttons will be disabled.

Remove the cover at the back of the Remote Transmitter to expose the **Child-Proof** switch. To activate this function, slide the switch to the position marked C/P. "**Child-Proof**" will appear on the LCD.

To restore button function temporarily, press the Up and Down buttons in the following sequence:

up-down-down-up-down.

If no button is pressed within 2 minutes, the transmitter will return to the Child-Proof mode.

IN THE EVENT OF A POWER FAILURE

To operate the fireplace manually in the event of a power/battery failure, the main power switch located in the fireplace, may be switched to the manual position.

Once power has been restored, it will be necessary to reset the remote. Resetting is done either by pushing the red reset button on the receiver or manually cycling the gas button on the transmitter. This is done by removing the batteries from the transmitter.

Re-install the batteries after 1 minute. Press any button while holding the transmitter within 5 feet of the fireplace.

The receiver will emit a "beep" sound to confirm programming has been successful.

OPERATING INSTRUCTIONS

When lit for the first time, the fireplace will emit a slight odour for a few hours. This is a normal temporary condition caused by the curing of the logs and the "burn-in" of internal paints and lubricants used in the manufacturing process and will not occur again. Simply open a window to sufficiently ventilate the room.

After extended periods of non-operation such as following a vacation or a warm weather season, the fireplace may emit a slight odour for a few hours. This is caused by dust particles in the heat exchanger burning off. Open a window to sufficiently ventilate the room.

Purge all gas lines with the glass door of the fireplace open. Assure that a continuous gas flow is at the burner before closing the door.

FOR YOUR SAFETY READ BEFORE LIGHTING:

- This fireplace is equipped with a pilot which must be lit by hand while following these instructions exactly.
- Before operating smell all around the fireplace area for gas and next to the floor because some gas is heavier than air and will settle on the floor.
- Use only your hand to turn the gas control knob / manual shut-off knob. never use tools. if the knob will not turn by hand, do not try to repair it. call a qualified service technician. force or attempted repair may result in a fire or explosion.
- Do not use this fireplace if any part has been under water. immediately call a qualified service technician to inspect the fireplace and replace any part of the control system and any gas control which has been under water.

WHAT TO DO IF YOU SMELL GAS

- Do not touch any electric switch.
- Do not use any phone in your building.
- If you cannot reach your gas supplier, call the fire department.
- Turn off all gas to the fireplace.
- Do not try to light any appliance.
- Immediately call your gas supplier from a neighbor's phone. Follow the gas supplier's instructions.

FIGURE 51



LIGHTING INSTRUCTIONS

Warning: if you do not follow these instructions exactly, a fire or explosion may result causing property damage, personal injury or loss of life. Initial lighting of the pilot and main burners must be done with the glass door off.

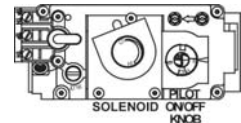
Do not connect valve or wall switch to electricity. See installation instructions.

When lighting and re-lighting, the gas knob cannot be turned from pilot to off unless the knob is depressed slightly.

- STOP! read the safety information on the operating label.
- Turn off all electric power to the fireplace.
- Turn the gas knob clockwise to off.
- Wait 5 minutes to clear out any gas. If you smell gas, including near the floor, STOP! Follow "B" on the operating label. If you don't smell gas, go to the next step.
- If the fireplace is equipped with a flame adjustment valve, turn clockwise to off.

- Find pilot located in front of the back log on the right side.
- Turn gas knob counter-clockwise to pilot.
- This unit is equipped with an auto-spark. Depress and hold gas knob. Keep knob fully depressed for one minute, then release. If pilot does not continue to burn repeat steps 3 through 7.
- With pilot lit, turn gas knob counter-clockwise to on.
- If equipped with flame adjustment valve, push and turn knob to high.
- If equipped with remote on-off switch, main burner may not come on when you turn the valve to on or high. Remote switch must be in the on position to ignite burner.
- Turn on all electric power to the fireplace.

FIGURE 52



TO TURN OFF GAS

- Turn off all electric power to the fireplace if service is to be performed.
- For a complete shut-down procedure: push in gas control knob slightly and turn clockwise to off. Do not force.
- For a temporary shut-down procedure: set thermostat to lowest setting or remote switch to off. Press and turn the gas knob clockwise to pilot.

MAINTENANCE

TURN OFF THE GAS AND ELECTRICAL POWER BEFORE SERVICING THE FIREPLACE.

CAUTION: Label all wires prior to disconnection when servicing controls. Wiring errors can cause improper and dangerous operation. Verify proper operation after servicing. This fireplace and its venting system should be inspected before use and at least annually by a qualified service person. The fireplace area must be kept clear and free of combustible materials, gasoline or other flammable vapours and liquids. The flow of combustion and ventilation air must not be obstructed.

1. In order to properly clean the burner and pilot assembly, remove the logs to expose both assemblies.
2. Keep the control compartment, logs, burner, air shutter opening and the area surrounding the logs clean by vacuuming or brushing, *at least once a year*.

3. Check to see that all burner ports are burning. Clean out any of the ports which may not be burning or are not burning properly.
4. Check to see that the pilot flame is large enough to engulf the thermocouple and thermopile and reaches toward the burner with the third jet.
5. Replace the cleaned logs.
6. Check to see that the main burner ignites completely on all openings when the gas knob for the burner is turned on. A 5 to 10 second total light-up period is satisfactory. If ignition takes longer, consult your Napoleon dealer / distributor.
7. Check that the gasketing on the sides, top and bottom of the door is not broken or missing. Replace if necessary.

ADJUSTMENTS

PILOT BURNER ADJUSTMENT

Adjust the pilot screw to provide properly sized flame. Turn in a clockwise direction to reduce the gas flow.

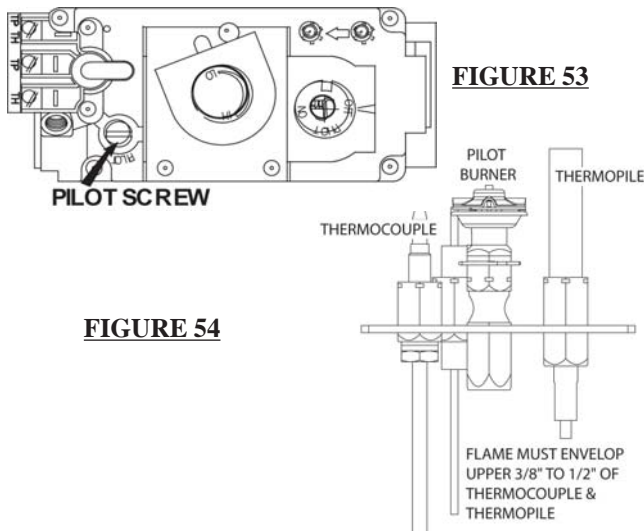


FIGURE 53

FIGURE 54

VENTURI ADJUSTMENT

Air Shutter Openings	
LP	$\frac{3}{8}$ "
NG	$\frac{3}{16}$ "

Closing the air shutter will cause a more yellow flame, but can lead to carboning. Opening the air shutter will cause a more blue flame, but can cause flame lifting from the burner ports. The flame may not appear yellow immediately; allow 15 to 30 minutes for the final flame colour to be established.

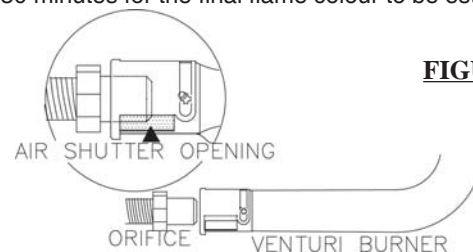


FIGURE 55

AIR CONTROL ROD ACCESS

1. Remove the glass door.
2. Remove the logs.
3. Remove the air deflector / light housing (Pg. 19) (It is not necessary to disconnect the wires. The assembly can lay along the right side of the firebox).
4. The air control rod can now be adjusted. Pushing the rod towards the back will open the air shutter (larger hole, larger opening), pulling the rod towards the front will close the shutter (smaller hole, smaller opening).

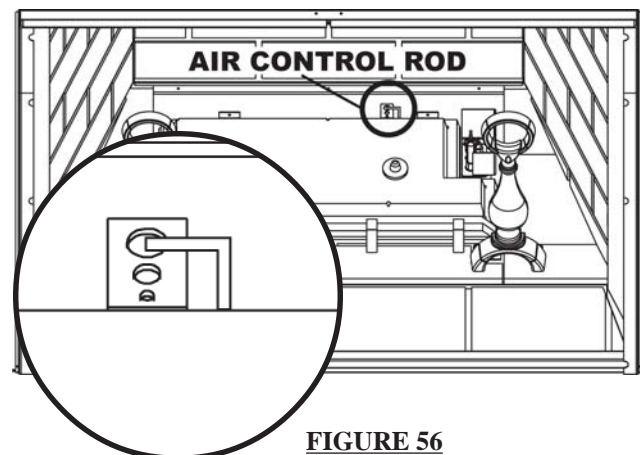


FIGURE 56

REPLACEMENTS

Contact your dealer for questions concerning prices and availability of replacement parts. Normally all parts can be ordered through your Napoleon dealer or distributor.

When ordering replacement parts always give the following information:

1. MODEL & SERIAL NUMBER OF FIREPLACE
2. INSTALLATION DATE OF FIREPLACE
3. PART NUMBER
4. DESCRIPTION OF PART
5. FINISH

FOR WARRANTY REPLACEMENT PARTS, A PHOTOCOPY OF THE ORIGINAL INVOICE WILL BE REQUIRED TO HONOUR THE CLAIM.

** IDENTIFIES ITEMS WHICH ARE NOT ILLUSTRATED. FOR FURTHER INFORMATION, CONTACT YOUR NAPOLEON DEALER.*

REPLACEMENT PARTS

#	PART NO.	DESCRIPTION
1	W135-0205	#1 - REAR LOG
2	W135-0206	#2 - MIDDLE LOG - NG
3	W135-0207	#3 - RIGHT LOG
4	W135-0208	#4 - LEFT LOG
5	W135-0218	#5 - CROSSOVER LOG
6	GL-644	LOG SET ASSEMBLY - NG
7	GL-647	LOG SET ASSEMBLY - LP
8	W135-0021	#2 - MIDDLE LOG - LP
9*	W390-0002	DOOR LATCH (EA)
10	W725-0044	NATURAL GAS VALVE - MODULATING
10	W725-0045	PROPANE GAS VALVE - MODULATING
11	W455-0024	#30 NATURAL GAS ORIFICE
11	W455-0056	#50 PROPANE GAS ORIFICE
12	W680-0014	THERMOCOUPLE
13	W240-0005	ELECTRODE c/w LEAD
14	W680-0015	THERMOPILE
15	W010-1194	NATURAL GAS PILOT ASSEMBLY
15	W010-1201	PROPANE GAS PILOT ASSEMBLY
16	W455-0070	NG PILOT INJECTOR
16	W455-0068	LP PILOT INJECTOR
17*	W385-0245	NAPOLEON LOGO
18*	W562-0008	DOOR GASKET (132 INCHES)
19	W500-0028	FIRESTOP (2 INCH CLEARANCE)
20	W100-0081	BURNER
21	W062-0010	BLOWER
22	W660-0041	SPARK SWITCH
23	W660-0030	REMOTE TRANSMITTER
24	W660-0031	REMOTE RECEIVER
25	W190-0017	DC SPARK UNIT CONTROL
26*	W715-0629	CAST IRON TRIM
27	W185-0020	CAST GRATE
28	W010-1203	DOOR FRAME
29*	W010-1289	GLASS c/w GASKET
30	W300-0073	GLASS DIFUSER
31	W565-0078	SCREEN
32*	W750-0126	WIRE HARNESS LIGHT SOCKET
33*	W290-0091	BLOWER MOUNTING GASKET
34*	W120-0054	CURTAIN ROD CAP
35	W387-0005	LAMP
36	W500-0206	TERMINAL EXTENSION PLATE
37	W290-0099	ACCESS DOOR GASKET

FLEXIBLE VENT KITS

GD420 (5 FT)

38*	W010-0772	5" FLEXIBLE ALUMINIUM LINER - (5 FT) c/w SPACERS
38*	W730-0012	8" FLEXIBLE ALUMINIUM LINER - (5 FT)

GD430 (10 FT)

38*	W730-0013	8" FLEXIBLE ALUMINIUM LINER - (10 FT)
38*	W010-0773	5" FLEXIBLE ALUMINIUM LINER - (10 FT) c/w SPACERS
39*	W010-0810	WALL SUPPORT ASSEMBLY

TERMINAL KITS

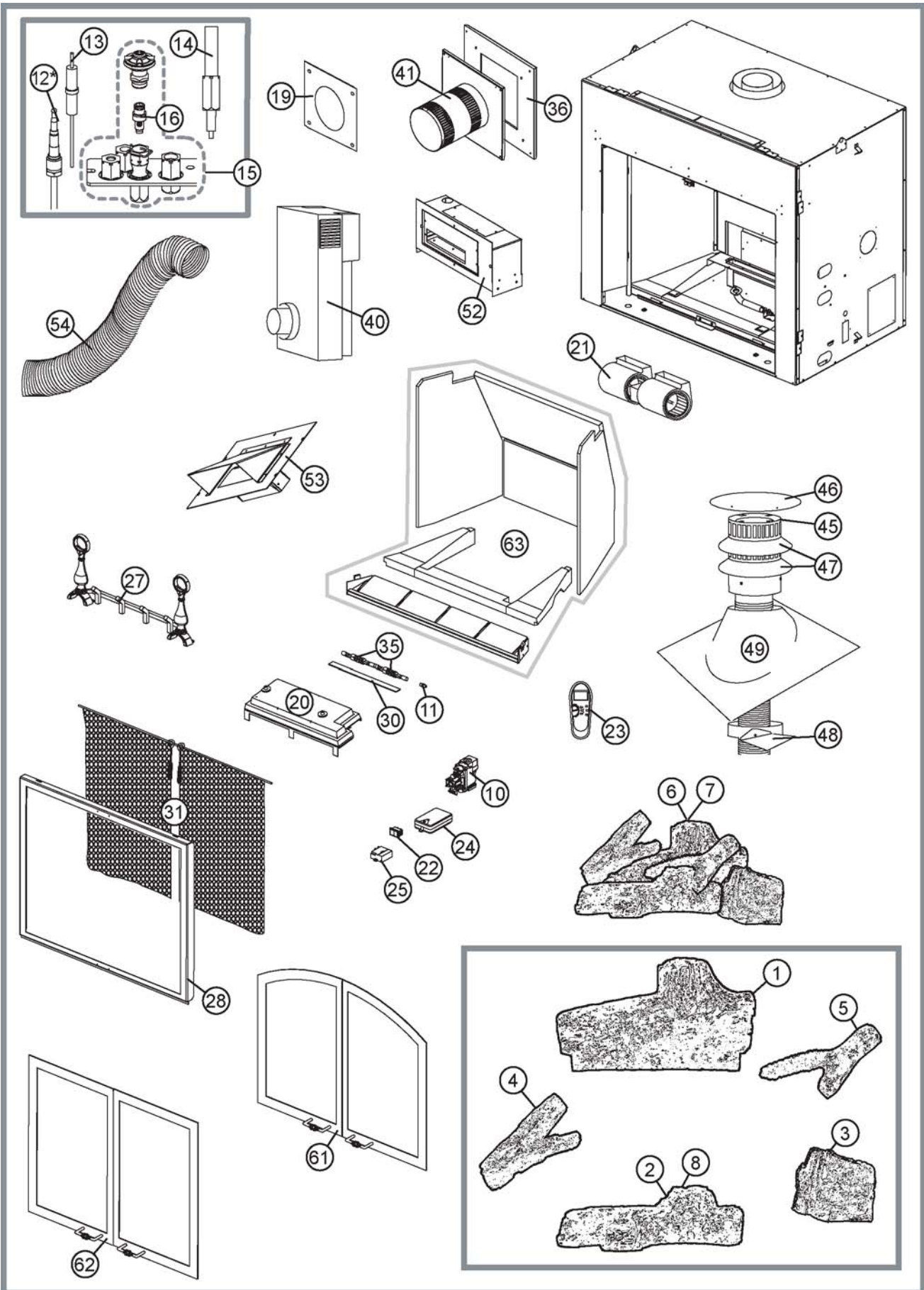
40	PERISCOPE	- GD401
41	WALL TERMINAL KIT	- GD422R

ROOF TERMINAL KITS

42	1/12 TO 7/12 PITCH	- GD410
43	8/12 TO 12/12 PITCH	- GD411
44	FLAT ROOF	- GD412
45	W010-0774	AIR TERMINAL
46	W120-0015	VERTICAL CAP
47	W170-0086	STORM COLLAR
48	W010-0453	ROOF SUPPORT
49	W263-0065 / W263-0066 / W263-0067	ROOF FLASHING

ACCESSORIES

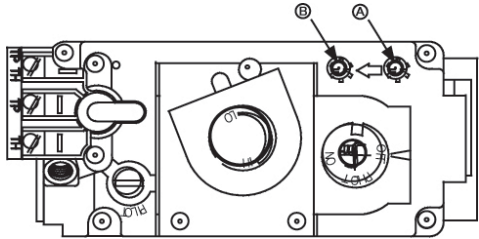
50*	W573-0007	HI-TEMP SEALANT
51*	GD501	HEAT GUARD
52	GA-566	HOT AIR DISTRIBUTION KIT
53	GA-72	HOT AIR EXHAUST KIT
54	GA-70	EXTENSION KIT, 5FT FLEX VENT
55*	W010-0370	WALL SUPPORT ASSEMBLY
56*	W175-0166	5" COUPLER
57*	W175-0002	8" COUPLER
58*	W175-0229	CONVERSION KIT - NG TO LP
58*	W175-0230	CONVERSION KIT - LP TO NG
59	FK80-R	FRAMING KIT - RECTANGULAR
60	FK80-A	FRAMING KIT - ARCHED
61	DK80A-HC	DECORATIVE DOORS-HAMMERED COPPER-ARCHED
62	DK80R-HC	DECORATIVE DOORS-HAMMERED COPPER-RECTANGULAR
61	DK80A-HP	DECORATIVE DOORS-HAMMERED PEUTER-ARCHED
62	DK80R-HP	DECORATIVE DOORS-HAMMERED PEUTER-RECTANGULAR
63	GD800-KT	OLD TOWN RED BRICK KIT
63	GD806-KT	HERRINGBONE/SANDSTONE BRICK KIT
63	GD807-KT	SANDSTONE BRICK KIT
63	PRP80	PORCELAIN REFLECTIVE PANELS BRICK KIT

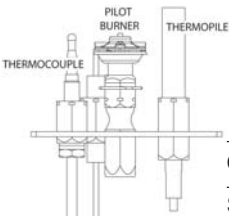


*** WARNING:** This is a fast acting thermocouple. It is an integral safety component. Replace only with a fast acting thermocouple supplied by Wolf Steel Ltd.

TROUBLE SHOOTING GUIDE

BEFORE ATTEMPTING TO TROUBLESHOOT, PURGE YOUR UNIT AND INITIALLY LIGHT THE PILOT AND THE MAIN BURNER WITH THE GLASS DOOR OPEN.

SYMPTOM	PROBLEM	TEST SOLUTION
Main burner flame is a blue, lazy, transparent flame.	Blockage in vent.	- remove blockage. In really cold conditions, ice buildup may occur on the terminal and should be removed as required.
	Incorrect installation.	- refer to Figure 13 to ensure correct location of storm collars.
Flames are consistently too large or too small. Carboning occurs.	Unit is over-fired or under-fired.	- check pressure readings: Inlet pressure can be checked by turning screw (A) counter-clockwise 2 or 3 turns and then placing pressure gauge tubing over the test point. Gauge should read 7" (minimum 4.5") water column for natural gas or 13" (11" minimum) water column for propane. Check that main burner is operating on "HI". Outlet pressure can be checked the same as above using screw (B). Gauge should read 3.5" water column for natural gas or 10" water column for propane. Check that main burner is operating on "HI". AFTER TAKING PRESSURE READINGS, BE SURE TO TURN SCREWS CLOCKWISE FIRMLY TO RESEAL. DO NOT OVERTORQUE. Leak test with a soap and water solution.
		
Carbon is being deposited on glass, logs or combustion chamber surfaces.	Air shutter has become blocked	- ensure air shutter opening is free of lint or other obstructions.
	Flame is impinging on the logs or combustion chamber.	- check that the logs are correctly positioned. - open air shutter to increase the primary air. - check the input rate: check the manifold pressure and orifice size as specified by the rating plate values. - check that the door gasketing is not broken or missing and that the seal is tight. - check that both 4" and 7" vent liners are free of holes and well sealed at all joints. - check that minimum rise per foot has been adhered to for any horizontal venting.
White / grey film forms.	Sulphur from fuel is being deposited on glass, logs or combustion chamber surfaces.	- clean the glass with a gas fireplace glass cleaner. DO NOT CLEAN GLASS WHEN HOT. If deposits are not cleaned off regularly, the glass may become permanently marked.
Exhaust fumes smelled in room, headaches.	Fireplace is spilling.	- check door seal and relief flap seal. - check for chimney blockage - check that the paint curing process is complete
Pilot goes out when the gas knob is released. The gas valve has an interlock device which will not allow the pilot burner to be lit until the thermocouple has cooled. Allow approximately 60 seconds for the thermocouple to cool.	System is not correctly purged.	- purge the gas line with the glass door open.
	Out of propane gas.	- fill the tank.
	Pilot flame is not large enough	- turn up the pilot flame.
	Pilot flame is not engulfing the thermocouple.	- gently twist the pilot head to improve the flame pattern around the thermocouple.
	Thermocouple shorting / faulty.	- loosen and tighten thermocouple. - clean thermocouple and valve connection. - replace thermocouple. - replace valve.
	Faulty valve.	- replace.

SYMPTOM	PROBLEM	TEST SOLUTION
Pilot burning; no gas to main burner; gas knob is on 'HI'; wall switch / thermostat is on.	Thermostat or switch is defective.	- connect a jumper wire across the wall switch terminals; if main burner lights, replace switch / thermostat.
	Wall switch wiring is defective.	- disconnect switch wires & connect a jumper wire across terminals 1 & 3; if the main burner lights, check the wires for defects and / or replace wires.
	Main burner orifice is plugged.	- remove stoppage in orifice.
	Faulty valve.	- replace.
Pilot goes out while standing; Main burner is in 'OFF' position.	Gas piping is undersized.	- turn on all gas appliances and see if pilot flame flutters, diminishes or extinguishes, especially when main burner ignites. Monitor appliance supply working pressure. - check if supply piping size is to code. Correct all undersized piping.
	Pilot will not light.	- check if pilot can be lit by a match - check that the wire is connected to the push button ignitor. - check if the push button ignitor needs tightening. - replace the wire if the wire insulation is broken or frayed. - replace the electrode if the ceramic insulator is cracked or broken. - replace the push button ignitor.
	No spark at pilot burner	- check if pilot can be lit by a match - check that the wire is connected to the push button ignitor. - check if the push button ignitor needs tightening. - replace the wire if the wire insulation is broken or frayed. - replace the electrode if the ceramic insulator is cracked or broken. - replace the push button ignitor.
	Out of propane gas	- fill the tank.
	Spark gap is incorrect	- spark gap should be 0.150" to 0.175" (5/32" to 11/64" approx.) from the electrode tip and the pilot burner. To ensure proper electrode location, tighten securing nut (finger tight plus 1/4 turn).
	No gas at the pilot burner	- check that the manual valve is turned on. - check the pilot orifice for blockage. - replace the valve. - call the gas distributor.
Main burner goes out; pilot stays on.	Pilot flame is not large enough or not engulfing the thermopile	- turn up pilot flame. - replace pilot assembly.
	Thermopile shorting	- clean thermopile connection to the valve. Reconnect. - replace thermopile / valve.
	Remote wall switch wire is too long; too much resistance in the system.	- shorten wire to correct length or wire gauge.
	Faulty thermostat or switch.	- replace.
Main burner goes out; pilot goes out.	Refer to "MAIN BURNER GOES OUT; PILOT STAYS ON"	
	Vent is blocked	- check for vent blockage.
	Vent is re-circulating	- check joint seals and installation.
	4" flexible vent has become disconnected from fireplace.	- re-attach to fireplace.
Remote wall switch is in "OFF" position; main burner comes on when gas knob is turned to "ON" position.	Wall switch is mounted upside down	- reverse.
	Remote wall switch is grounding.	- replace.
	Remote wall switch wire is grounding.	- check for ground (short); repair ground or replace wire.
	Faulty valve.	- replace.

Free Manuals Download Website

<http://myh66.com>

<http://usermanuals.us>

<http://www.somanuals.com>

<http://www.4manuals.cc>

<http://www.manual-lib.com>

<http://www.404manual.com>

<http://www.luxmanual.com>

<http://aubethermostatmanual.com>

Golf course search by state

<http://golfingnear.com>

Email search by domain

<http://emailbydomain.com>

Auto manuals search

<http://auto.somanuals.com>

TV manuals search

<http://tv.somanuals.com>