

**INSTALLER: THESE INSTRUCTIONS MUST BE CONVEYED TO AND REMAIN WITH THE HOMEOWNER.**

*Conforms to the standard ANSI Z21.91 2004 Ventless Firebox Enclosures for Unvented Room Heaters*



**QUALITY FIREPLACES**  
*Award Winning Products*

INSTALLATION INSTRUCTIONS FOR THE  
**ZERO CLEARANCE VENTLESS FIREBOX ENCLOSURE**

**MODEL ZCVF36**

**MODEL ZCVF42**

CERTIFIED FOR UNITED STATES USING ANSI METHODS

**WARNING:** If the information in these instructions is not followed exactly, a fire or explosion may result causing property damage, personal injury or death.

**FOR YOUR SAFETY**

Do not store or use gasoline or other flammable vapours and liquids in the vicinity of this or any other appliance.

**WHAT TO DO IF YOU SMELL GAS:**

- Do not try to light any appliance.
- Do not touch any electrical switch.
- Do not use any phone in your building.
- Immediately call your gas supplier from a neighbour's phone. Follow the gas supplier's instructions.
- If you cannot reach your gas supplier, call the fire department.

Installation and service must be performed by a qualified installer, service agency or the gas supplier.



Wolf Steel Ltd., 24 Napoleon Rd., Barrie, ON L4M 4Y8 Canada . (705) 721-1212 .  
fax(705)722-6031

W415-0527/ 09.29.05

## TABLE of CONTENTS

PG 3	INTRODUCTION Warranty	8	REPLACEMENTS Replacements Replacement Parts Accessories
4-6	INSTALLATION & FINISHING General Instructions Hood Installation Gas Connector Locations Framing Nailing Tab Instruction Mantle Clearances	9	SERVICE HISTORY
7	OPTIONS Optional Blower Installation		

**FOR USE ONLY WITH A ANSI Z21.11.2 LISTED  
GAS-FIRED UNVENTED ROOM HEATER NOT  
TO EXCEED  
40,000 BTU/H  
FOLLOW THE INSTRUCTIONS, AND  
COMPLETE THE INSTALLATION OF THE  
UNVENTED ROOM HEATER.  
  
DO NOT BUILD A WOOD FIRE.**

**Carefully review the instructions supplied with  
the unvented room heater for the minimum  
firebox size requirement.**

**DO NOT INSTALL AN APPLIANCE IN THIS  
FIREBOX UNLESS THIS FIREBOX MEETS THE  
MINIMUM DIMENSIONS REQUIRED FOR THE  
INSTALLATION.**

### PLEASE RETAIN THIS MANUAL FOR FUTURE REFERENCE

#### WARNING

- Under no circumstances should this enclosure be modified.
- Provide adequate ventilation and combustion air. Refer to unvented room heaters installation instructions. Never obstruct the front opening of the enclosure.
- Do not burn wood or other materials in this enclosure.
- Adults and especially children should be alerted to the hazards of high surface temperatures and should stay away to avoid burns or clothing ignition. Keep young children and animals away when the ventless firebox enclosure is hot.
- Due to high temperatures, the enclosure should be located out of traffic and away from furniture and draperies.
- Clothing or other flammable material should not be placed on or near the enclosure.
- Any safety screen or guard removed for servicing must be replaced prior to operating the enclosure.
- It is imperative that the circulating air passageways in the enclosure are kept clean. The enclosure should be inspected before use and at least annually by a qualified service person. More frequent cleaning may be required due to excessive lint from carpeting, bedding material, etc. The enclosure area must be kept clear and free from combustible materials, gasoline and other flammable vapours and liquids.
- Furniture or other objects must be kept a minimum of 4 feet away from the front of the ventless firebox enclosure.
- Do not use this enclosure if any part has been under water. Immediately call a qualified service technician to inspect the enclosure and to replace any part of the control system and any gas control which has been under water.
- Do not allow fans to blow directly into the ventless firebox enclosure. Avoid any drafts that alter burner flame patterns.
- Do not use a blower insert, heat exchanger insert or other accessory not approved for use with this enclosure.

NOTE: CHANGES, OTHER THAN EDITORIAL, ARE DENOTED BY A VERTICAL LINE IN THE MARGIN

*NAPOLEON gas fireplaces are manufactured under the strict Standard of the world recognized ISO 9001:2000 Quality Assurance Certificate.*

*NAPOLEON products are designed with superior components and materials, assembled by trained craftsmen who take great pride in their work. The burner and valve assembly are leak and test-fired at a quality test station. The complete ventless firebox enclosure is test-fired and thoroughly inspected by a qualified technician before packaging to ensure that you, the customer, receives the quality product that you expect from NAPOLEON.*

## NAPOLEON GAS FIREPLACE PRESIDENT'S LIFETIME LIMITED WARRANTY

*The following materials and workmanship in your new NAPOLEON ventless firebox enclosure are warranted against defects for as long as you own the ventless firebox enclosure. This covers: combustion chamber, heat exchanger, phazer™ logs and embers.*

*Electrical (110V and millivolt) components and wearable parts such as blowers, thermal switch, switches, wiring, and remote controls, are covered and NAPOLEON will provide replacement parts free of charge during the first year of the limited warranty.*

*Labour related to warranty repair is covered free of charge during the first year. Repair work, however, requires the prior approval of an authorized company official. Labour costs to the account of NAPOLEON are based on a predetermined rate schedule and any repair work must be done through an authorized NAPOLEON dealer.*

## CONDITIONS AND LIMITATIONS

NAPOLEON warrants its products against manufacturing defects to the original purchaser only -- i.e., the individual or legal entity (registered customer) whose name appears on the warranty registration card filed with NAPOLEON -- provided that the purchase was made through an authorized NAPOLEON dealer and is subject to the following conditions and limitations:

This factory warranty is nontransferable and may not be extended whatsoever by any of our representatives.

The ventless firebox enclosure must be installed by a licenced, authorized service technician or contractor. Installation must be done in accordance with the installation instructions included with the product and all local and national building and fire codes.

This limited warranty does not cover damages caused by misuse, lack of maintenance, accident, alterations, abuse or neglect and parts installed from other manufacturers will nullify this warranty.

This limited warranty further does not cover any scratches, dents, corrosion or discolouring caused by excessive heat, abrasive and chemical cleaners nor chipping on porcelain enamel parts, mechanical breakage of PHAZER™ logs and embers.

In the first year only, this warranty extends to the repair or replacement of warranted parts which are defective in material or workmanship provided that the product has been operated in accordance with the operation instructions and under normal conditions.

After the first year, with respect to this President's Limited Lifetime Warranty, NAPOLEON may, at its discretion, fully discharge all obligations with respect to this warranty by refunding to the original warranted purchaser the wholesale price of any warranted but defective part(s).

After the first year, NAPOLEON will not be responsible for installation, labour or any other costs or expenses related to the reinstallation of a warranted part, and such expenses are not covered by this warranty.

Notwithstanding any provisions contained in this President's Limited Lifetime Warranty, NAPOLEON'S responsibility under this warranty is defined as above and it shall not in any event extend to any incidental, consequential or indirect damages.

This warranty defines the obligations and liability of NAPOLEON with respect to the NAPOLEON ventless firebox enclosure and any other warranties expressed or implied with respect to this product, its components or accessories are excluded.

NAPOLEON neither assumes, nor authorizes any third party to assume, on its behalf, any other liabilities with respect to the sale of this product. NAPOLEON will not be responsible for: over-firing, inadequate ventilation, insufficient makeup air, or negative air pressures which may or may not be caused by mechanical systems such as exhaust fans, furnaces, clothes dryers, etc.

Any damages to the ventless firebox enclosure, combustion chamber, brass trim or other component, due to water, weather damage, long periods of dampness, condensation, damaging chemicals or cleaners will not be the responsibility of NAPOLEON.

The bill of sale or copy will be required together with a serial number and a model number when making any warranty claims from your authorized dealer. The warranty registration card must be returned within fourteen days to register the warranty.

NAPOLEON reserves the right to have its representative inspect any product or part thereof prior to honouring any warranty claim.

ALL SPECIFICATIONS AND DESIGNS ARE SUBJECT TO CHANGE WITHOUT PRIOR NOTICE DUE TO ON-GOING PRODUCT IMPROVEMENTS. NAPOLEON® IS A REGISTERED TRADEMARK OF WOLF STEEL LTD. PATENTS U.S. 5.303.693.801 - CAN. 2.073.411, 2.082.915. © WOLF STEEL LTD.

## GENERAL INSTRUCTIONS

THE INSTALLATION MUST CONFORM WITH LOCAL CODES OR, IN THE ABSENCE OF LOCAL CODES WITH THE NATIONAL FUEL GAS CODE, ANSI Z223.1 / NFPA 54 AND TO THE NATIONAL ELECTRICAL CODE, ANSI / NFPA 70.

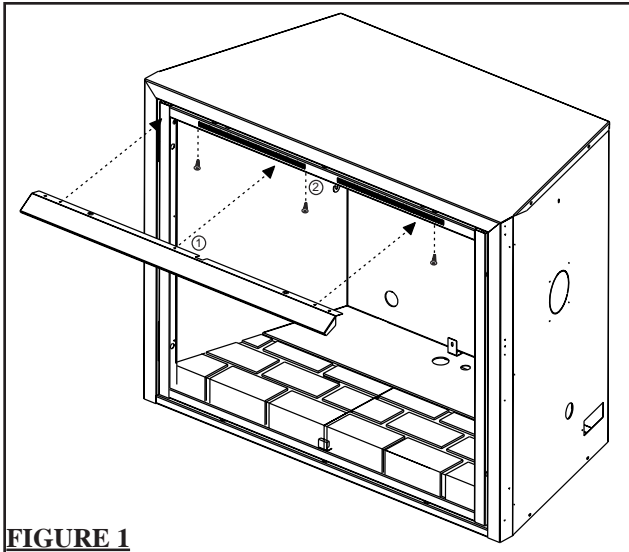
Use only accessories designed for and listed with your specific firebox.

Not designed for use with a glass door. Screen must be closed when appliance is in operation.

## HOOD INSTALLATION

**Warning: Do not operate without hood in place.**

The firebox hood must not be modified or replaced with a hood that may be provided with the unvented decorative room heater.



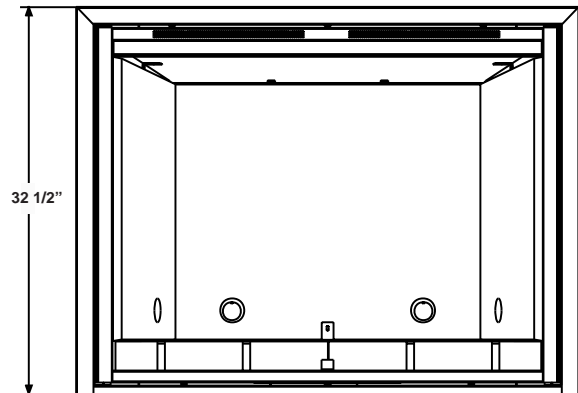
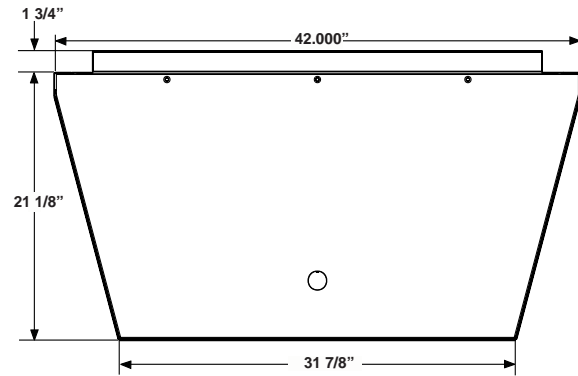
**FIGURE 1**

**Note:** Remove the hood from the back side of the carton by cutting the cable ties holding it in place.

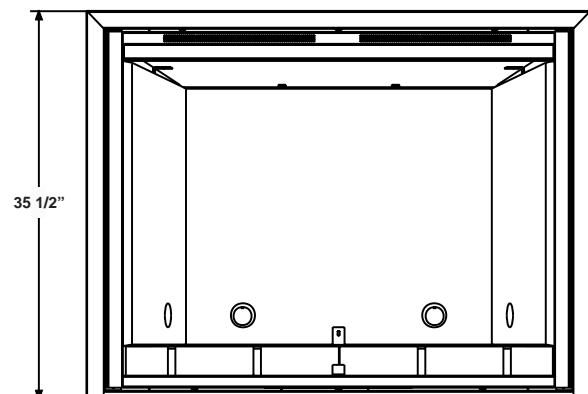
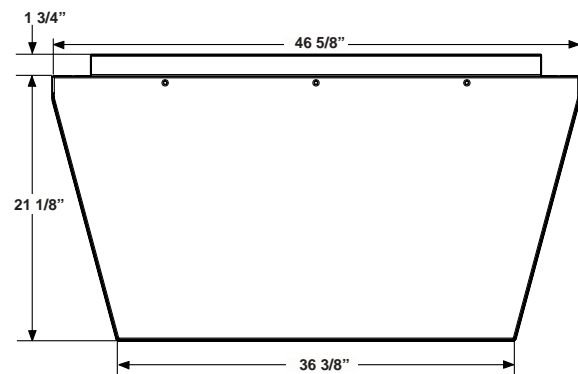
1. Slide the edge of the hood into place on the top inside surface of the ventless firebox enclosure to align with the three pre-drilled holes.
2. Screw the hood securely into place with the three screws provided. (FIGURE 1)

## SPECIFICATIONS

### ZCVF36



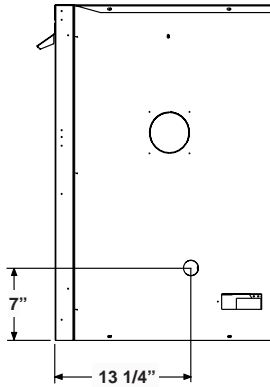
### ZCVF42



## GAS INLET LOCATIONS

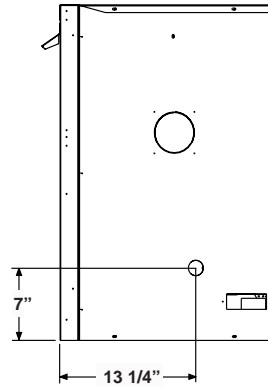
There are five gas inlet locations on the ventless firebox enclosure. One on each side of the unit, two at the rear, and one on the bottom. Using the following illustrations (FIGURE 2a-f) identify the preferred inlet and remove corresponding knock out.

**ZCVF36**

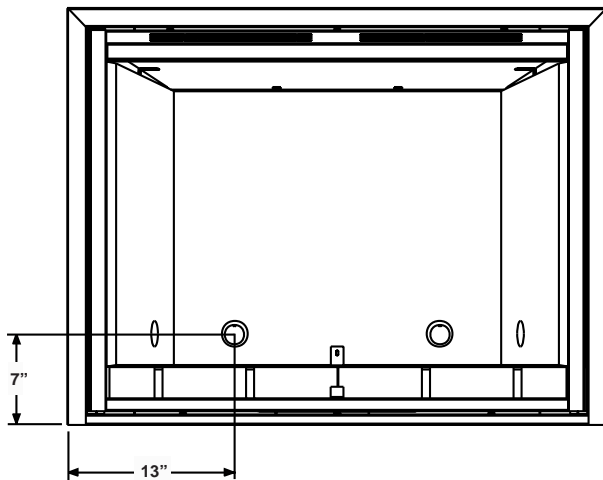


**FIGURE 2a**

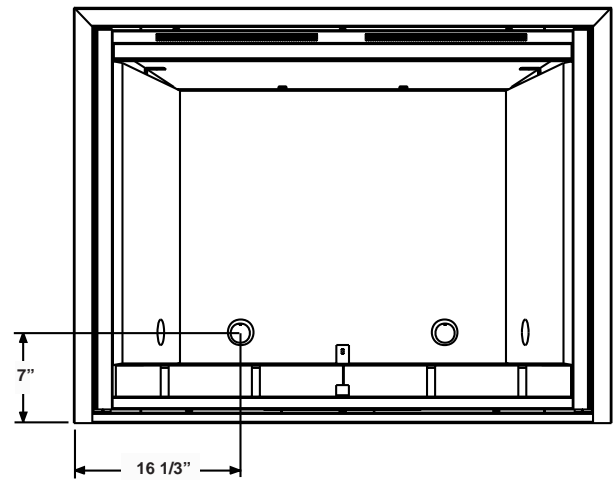
**ZCVF42**



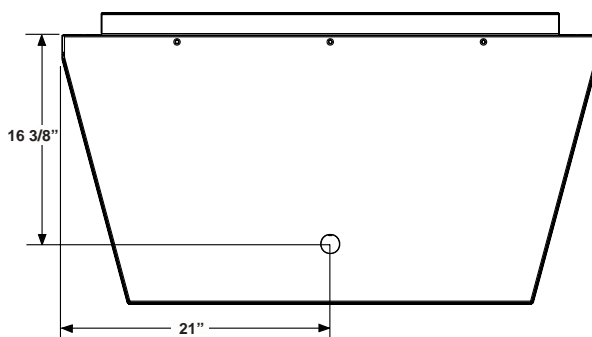
**FIGURE 2b**



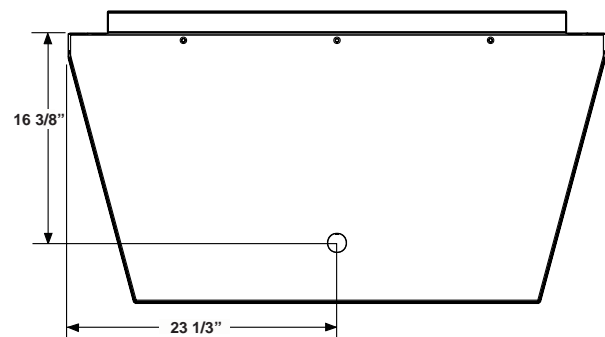
**FIGURE 2c**



**FIGURE 2d**



**FIGURE 2e**



**FIGURE 2f**

## FRAMING

**ANY CHANGE TO THIS ENCLOSURE CAN BE DANGEROUS AND IS PROHIBITED.**

It is best to frame your ventless firebox enclosure after it is positioned. Use 2x4's and frame to local building codes.

(FIGURE 3-5)

ZCVF36

ZCVF42

FIGURE 3

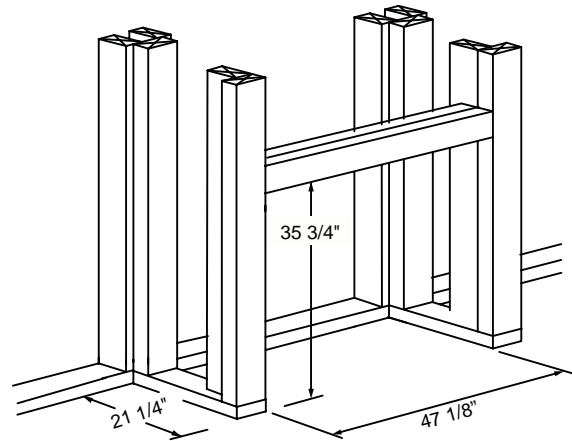
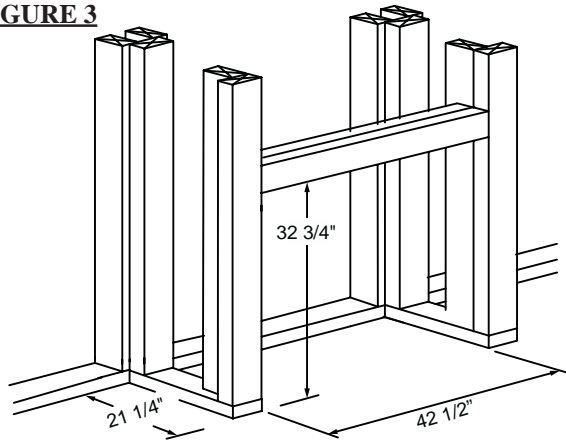


FIGURE 4

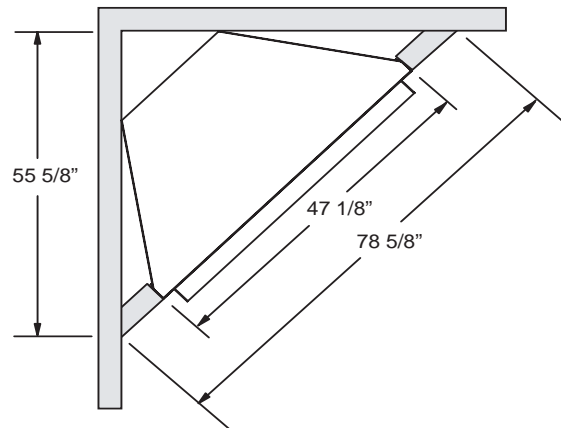
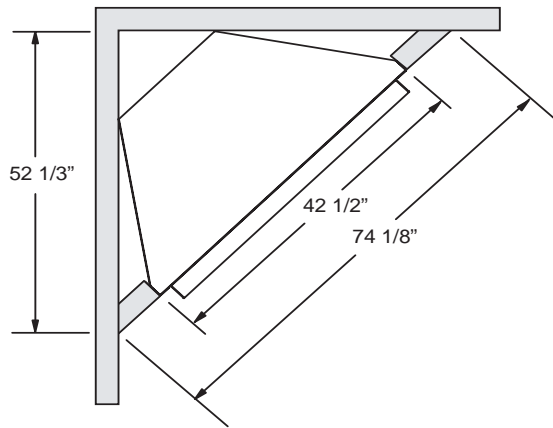
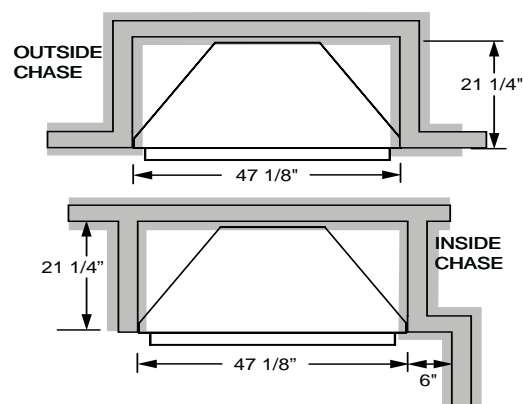
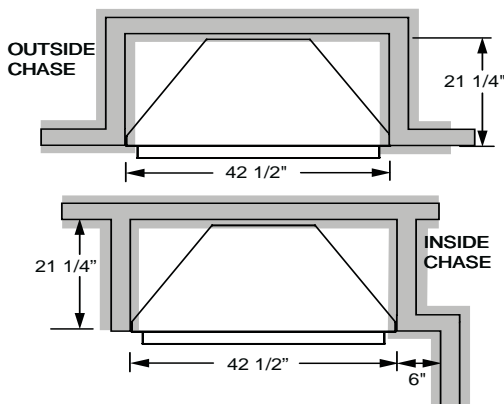


FIGURE 5

**Minimum clearance to combustible construction from ventless firebox enclosure:**

sides, back, bottom and top of the unit                   0 inches  
recessed depth   21 1/4 inches

Note: In order to avoid the possibility of exposed insulation or vapour barrier coming in contact with the ventless firebox enclosure body, it is recommended that the walls of the ventless firebox enclosure be "finished" (ie: drywall/sheet-rock), as you would finish any other outside wall of a home. This will ensure that clearance to combustibles is maintained within the cavity.

When roughing in the ventless firebox enclosure, raise the ventless firebox enclosure to accommodate for the thickness of the finished floor materials, i.e. tile, carpeting, hard wood.

Objects placed in front of the ventless firebox enclosure should be kept a minimum of 4 feet away from the front face.

W415-0527 / 09.29.05



## NAILING TAB INSTRUCTION

1) Attach the nailing tabs to the corner posts using the 2 sheet metal screws supplied. Secure through the centre of the top and bottom slots in the nailing tab and then through the existing holes in the corner posts.

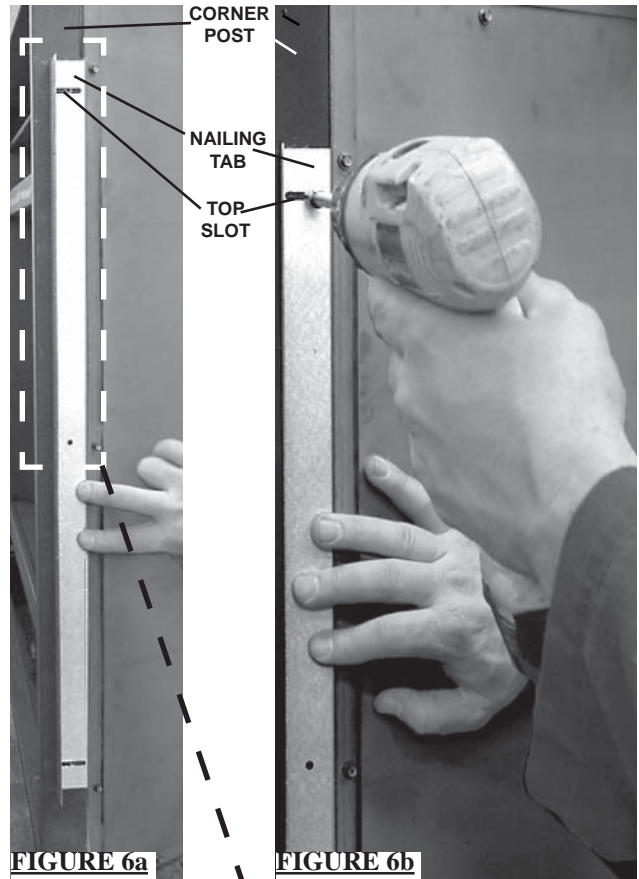
If there are no existing holes, follow these instructions:  
Position the nailing tab so that the front face is offset with the front edge of the corner post (approx. 1/2"). Centre the nailing tab vertically on the corner post. (FIGURE 6a)



Drill through the centre of the top and bottom slots in the nailing tab. Secure using the two sheet metal screws supplied. This allows the nailing tab to slide back and forth for desired framing. (FIGURE 6b)

2) To determine the final location of the nailing tab you must first determine the width of your finishing material (i.e. drywall). This will determine the dimension from the front edge of the corner post to the nailing tab. Once the nailing tab is in the desired location, drill through the centre hole of the nailing tab. Secure with a sheet metal screw\*. (FIGURE 6c)

\* Additional set screws may be installed.



## MANTEL CLEARANCES

Combustible materials may be installed flush with the front of the ventless firebox enclosure but must not cover any of the black face-areas of the ventless firebox enclosure. Non-combustible material (brick, stone or ceramic tile) may protrude in these areas.

Combustible mantel clearance can vary according to the mantel depth. Use the graph to help evaluate the clearance

FIGURE 7

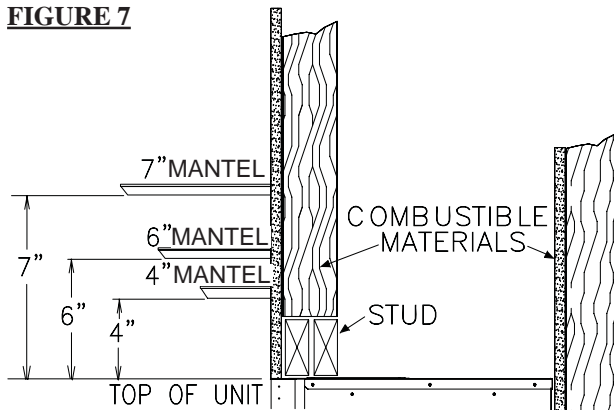
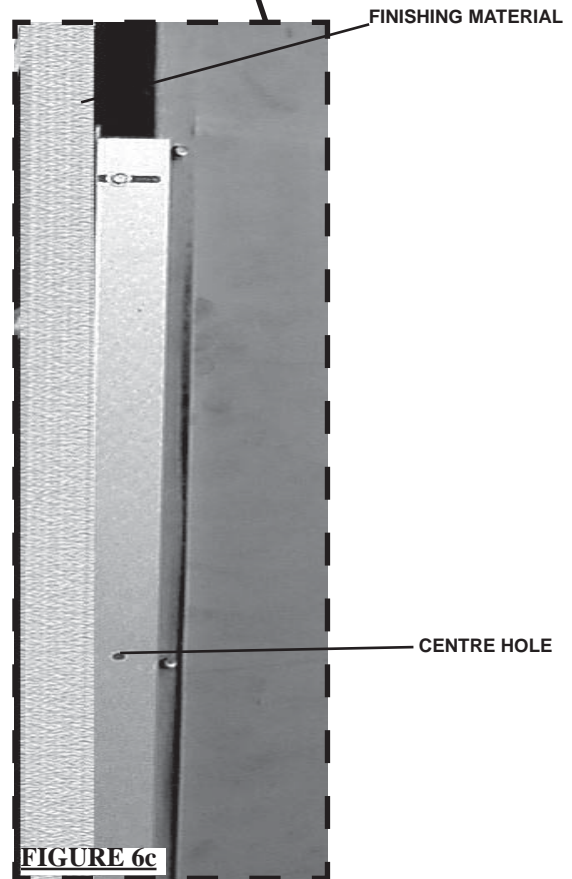
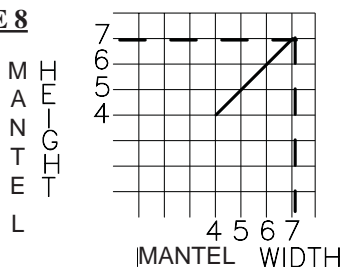


FIGURE 8

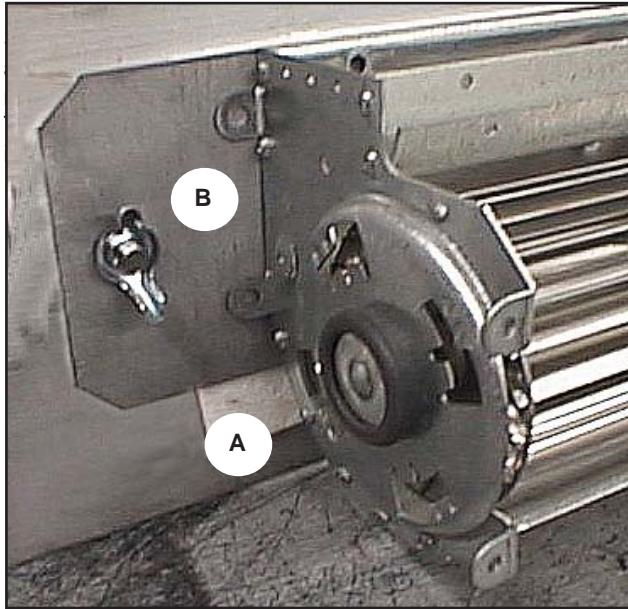


## OPTIONAL BLOWER INSTALLATION

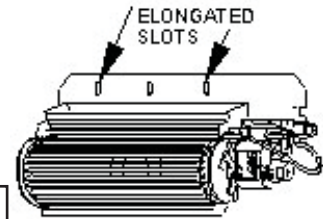
INSTALLATION TO BE DONE BY A QUALIFIED INSTALLER and must be electrically connected and grounded in accordance with local codes. In the absence of local codes, use the current ANSI/NFPA 70 National Electrical Code.

If the firebox was not previously equipped with a blower: route a grounded 2-wire, 60hz power cable through the junction plate cover. At this point it must be strain relieved and insulated.

The three slots on the blower mounting bracket allow ease of adjustment when attaching the blower. (FIGURE 10) For a quiet running blower, do not allow the assembly to sit on the firebox base.



Secure to the threaded stud using the lock washer and wing nut provided. Ensure that the blower does not touch the firebox base or the firebox. (FIGURE 9) Attach the connectors from the black and red wires to the blower.



**FIGURE 10**

The wire harness provided in this kit is a universal harness. When installed, ensure that any excess wire is contained, preventing it from making contact with moving or hot objects. Because the blower is thermally activated, when turned on, it will automatically start approximately 30 minutes after lighting the vent free room heater and will run for approximately 30-45 after the vent free room heater has been turned off. Use of the fan increases the output of heat.

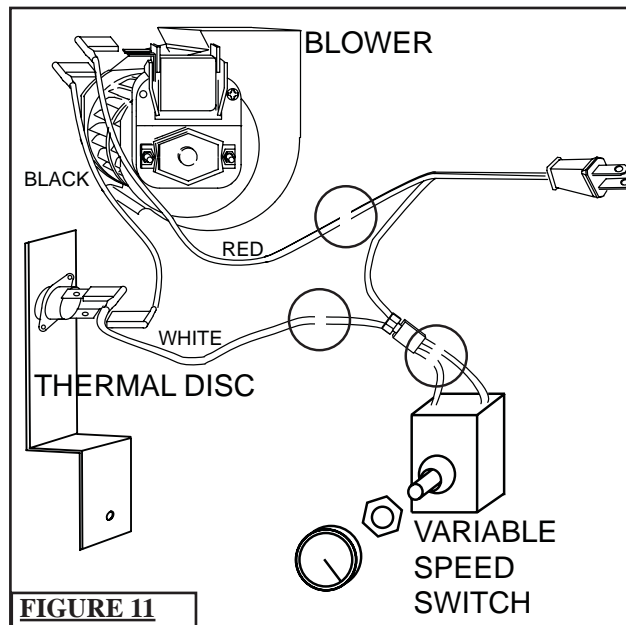
Drywall dust will penetrate into the blower bearings causing irreparable damage. Care must be taken to prevent drywall dust from coming into contact with the blower or its compartment. Any damage resulting from this condition is not covered by the warranty policy.



**Note:** In either application it is necessary to remove the variable speed switch from the wiring harness and install into an electrical switch box as per electrical codes.

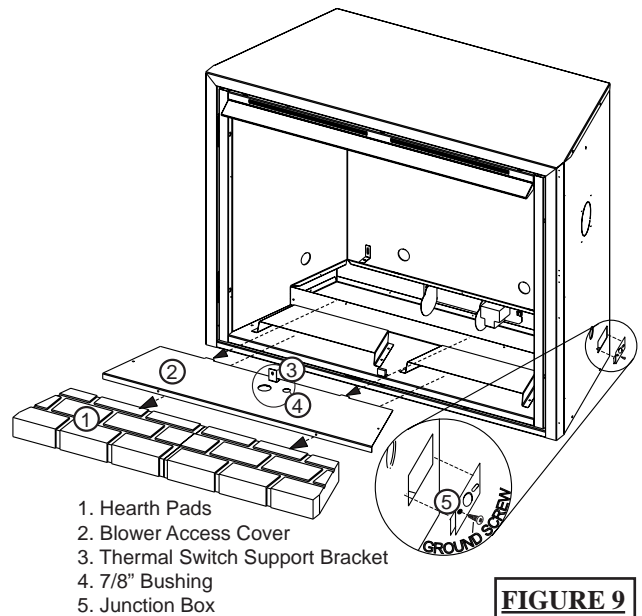
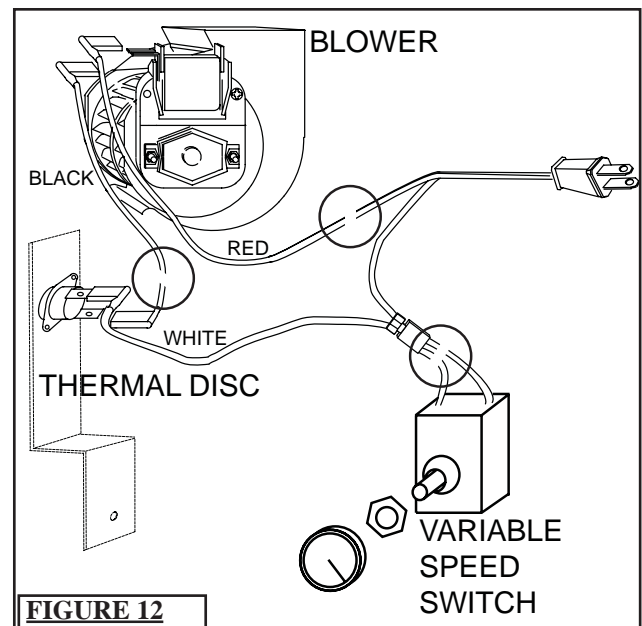
### WITH THERMAL SWITCH BRACKET

1. Remove the hearth pads and the blower access cover. (FIGURE 9)
2. Install the blower using the optional blower installation instructions.
3. Pull the black and white thermal disc wires through the 7/8" bushing in the blower access cover.
4. Cut the white wire as close to the connector as possible. (FIGURE 11).
5. Cut the red wire as close to the plug as possible. (FIGURE 11)
6. Using a box connector, connect supply wire through the junction cover plate located on the right side of the firebox enclosure.
7. Connect the red and white wires to the power supply. Attach the ground to the ground screw on the junction plate cover.
8. Replace the blower access cover.
9. Attach the black & white wires to the back of the thermal switch and install at the rear of the firebox using the thermal switch support bracket as circled in (FIGURE 9).
10. Replace the hearth pads.



### WITHOUT THERMAL SWITCH BRACKET

1. Remove the hearth pads and blower access cover. (FIGURE 9)
2. Install the blower using the optional blower installation instructions.
3. Cut the red wire as close to the plug as possible.
4. Cut the black wire as close to the flag connection as possible. (FIGURE 12).
5. Using a box connector, connect supply wire through the junction cover plate located on the right side of the firebox enclosure.
6. Attach the ground to the ground screw on the junction plate cover.
7. Replace the blower access cover plate and hearth pads.



REPLACEMENTS

Contact your dealer for questions concerning prices and availability of replacement parts. Normally all parts can be ordered through your Napoleon dealer or distributor.

When ordering replacement parts always give the following information:

1. Model & Serial Number of ventless firebox enclosure
2. Installation date of ventless firebox enclosure
3. Part Number
4. Description of part
5. Finish

**FOR WARRANTY REPLACEMENT PARTS, A PHOTOCOPY OF THE ORIGINAL INVOICE WILL BE REQUIRED TO HONOUR THE CLAIM.**

**ZCVF36**

REPLACEMENT PARTS

#	PART No.	DESCRIPTION
1*	W385-0245	Napoleon Logo
2	W565-0084	Curtain Mesh
3	W555-0056	Curtain Rod
4	W335-0044	Hood
5*	W500-0192	Panel Brackets
6	W475-0400	Hearth Pad (Right)
7	W475-0386	Hearth Pad (Left)

**ZCVF42**

REPLACEMENT PARTS

#	PART No.	DESCRIPTION
1*	W385-0245	Napoleon Logo
2	W565-0085	Curtain Mesh
3	W555-0057	Curtain Rod
4	W335-0045	Hood
5*	W500-0192	Panel Brackets
6	W475-0399	Hearth Pad (Right)
7	W475-0382	Hearth Pad (Left)

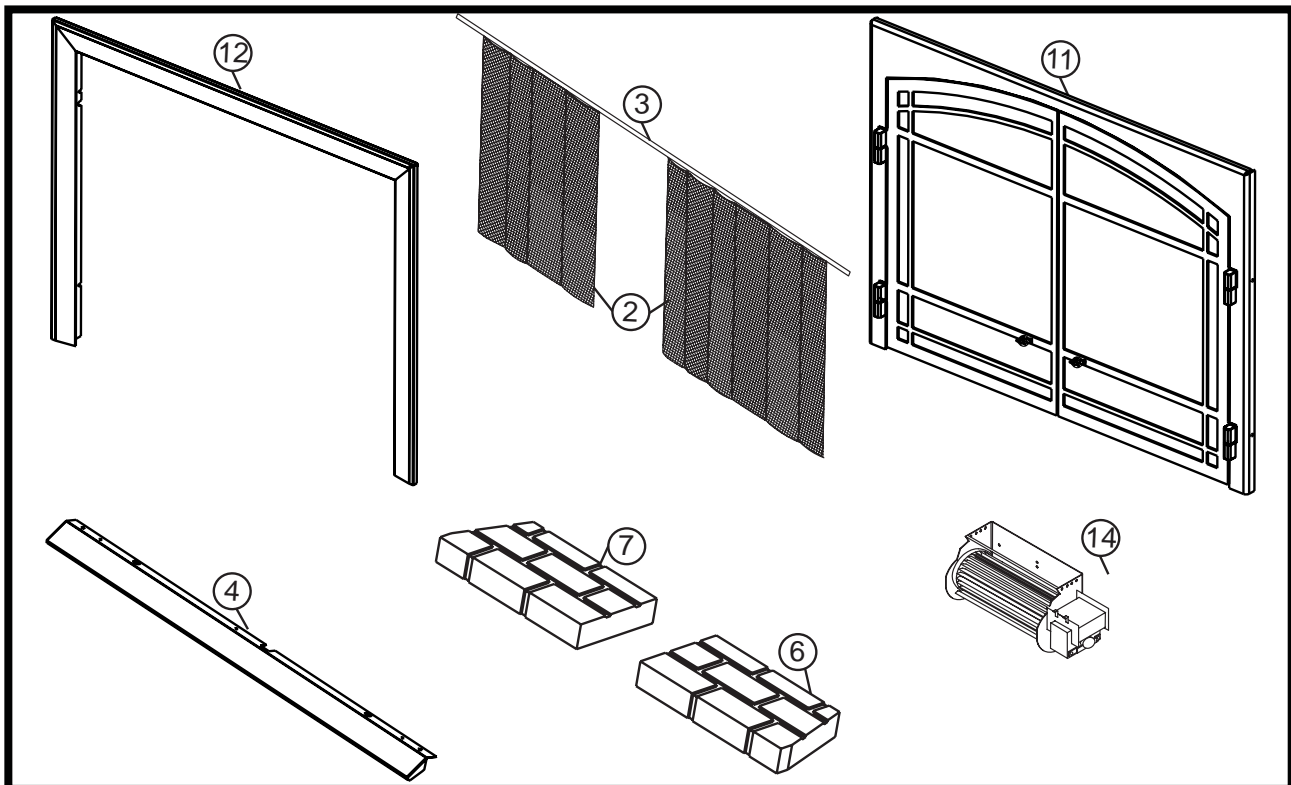
ACCESSORIES

#	PART No.	DESCRIPTION
8*	111KT	Outside Air Kit
9*	112KT	Adaptor Plate, Outside Air Kit
10*	GD810-KT	Brick Panels (Cobblestone)
11	DKZC36SS	Decorative Door
12	TBZC36K	36" 3" Bevelled trim (textured black)
13*	TBZC36SS	36" 3" Bevelled trim (satin chrome)
14	GZ550-1KT	Blower kit
15*	W500-0033	Switch Wall Mounting Plate

ACCESSORIES

#	PART No.	DESCRIPTION
8*	111KT	111-KT Kit
9*	112KT	112 Collars
10*	GD809-KT	Brick Panels (Cobblestone)
11	DKZC42SS	Decorative Door
12	TBZC42K	42" 3" Bevelled trim (textured black)
13*	TBZC42SS	42" 3" Bevelled trim (satin chrome)
14	GZ550-1KT	Blower kit
15*	W500-0033	Switch Wall Mounting Plate

\* IDENTIFIES ITEMS WHICH ARE NOT ILLUSTRATED. FOR FURTHER INFORMATION, CONTACT YOUR NAPOLEON DEALER.







## Free Manuals Download Website

<http://myh66.com>

<http://usermanuals.us>

<http://www.somanuals.com>

<http://www.4manuals.cc>

<http://www.manual-lib.com>

<http://www.404manual.com>

<http://www.luxmanual.com>

<http://aubethermostatmanual.com>

Golf course search by state

<http://golfingnear.com>

Email search by domain

<http://emailbydomain.com>

Auto manuals search

<http://auto.somanuals.com>

TV manuals search

<http://tv.somanuals.com>