



# MES Series™

Electrode  
Steam  
Humidifiers

Designed for internal use in  
specialty air handling equipment



computer rooms  
hi-tech  
telecommunications  
clean rooms  
laboratories

## **NORTEC MES Series humidifiers resolve demanding OEM needs.**

AxAir NORTEC is a world leader in state-of-the-art humidification technology. Our focus is concentrated exclusively on designing and building better humidification systems.

MES Electrode Steam Humidifiers employ the most advanced technology yet devised to reliably maintain interior environments at critical humidity levels. They provide the best of both worlds — top quality design and construction, with economy of installation and operation.

Every NORTEC MES model has been engineered to meet the highest standards of cost-effective, efficient performance. They are designed for ease of installation, adaptability, simplicity of operation, ease of maintenance and servicing, energy efficiency, cleanliness and long-term reliability.

### Precise control

MES installations handle the most demanding challenges. Each unit is controlled by its own integral electronics. Just preset your humidification requirements.



### Economy

Unlike older systems that are often difficult and costly to maintain, the MES electrode steam system produces pure, uncontaminated moisture to protect sensitive equipment and the people using it. There are no heating elements to get coated with mineral deposits and sludge.

Any water-borne impurities are removed at the electrodes and deposited in a replaceable cylinder where they are periodically flushed out through the automatic cylinder drain. Solid mineral scale sinks to the bottom of the cylinder which, when filled with residue, is easily discarded and replaced.

### Installation Flexibility

MES Series humidifiers offer unprecedented installation flexibility. They can be configured for both small and large systems and are ideal in computer room and specialty air handling systems.

Steam distribution is easily accomplished through the air handler duct system.

### Electrode Steam

- ▶ Clean and hygenic steam
- ▶ Energy efficient
- ▶ Adjustable output
- ▶ Adjusts to varying water conditions
- ▶ Easily installed in air handlers
- ▶ Wide range of models and capacities
- ▶ Cylinder replacement is quick and easy



# MES Series™

Electrode  
Steam  
Humidifiers

### Modbus Communication

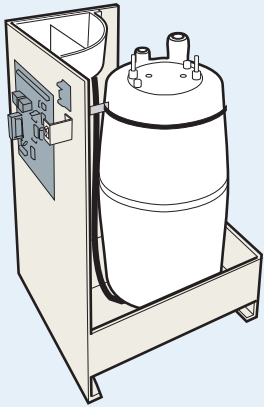
Modbus interface board will provide monitoring and control of all critical points via Building Automation System. It is easily mounted to the main board using a ribbon cable connection.

System Features
Disposable steam cylinder
Compact size
Two year limited warranty
Patented auto-adaptive control
Automatic drain water tempering
C_UL-US Recognized
On/off or modulation control
Primary voltage connections on models H and I
Optional RS485 2-wire Modbus RTU Bus Building Automation System Interface
Operation run time in hours with remote reset
Steam output displayed in lbs/hr
Enable/Disable humidifier
End of cylinder life indication
Humidifier alarm/System faults status
Electrode current displayed in amps
Capacity output adjustment
Operational hour counter
Cylinder drain flushing sequence

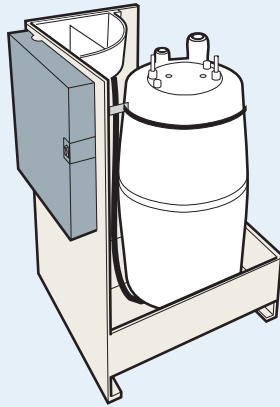


## system configurations

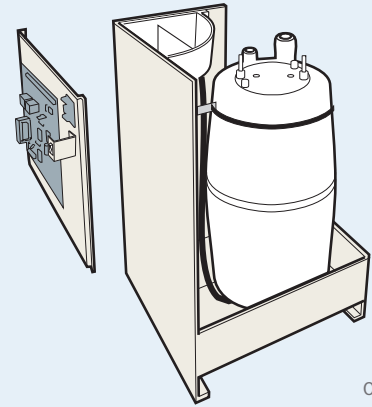
NORTEC offers a choice of product configurations in the MES Series. Units offer capacities from 5 to 30 pounds of moisture per hour from 1.7 to 10.2 kW. See technical data for compatibility details.



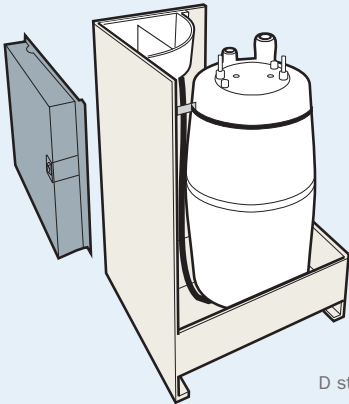
A style



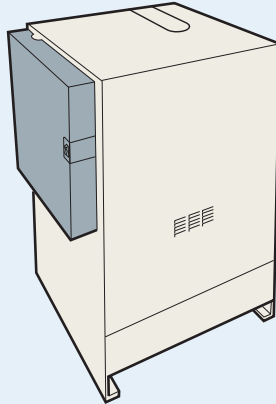
B style



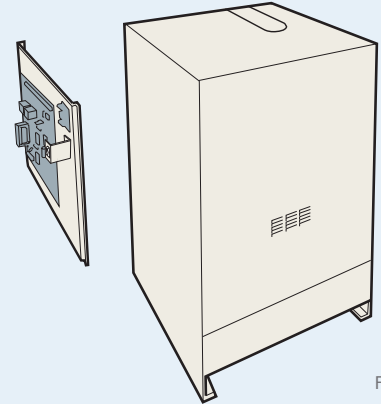
C style



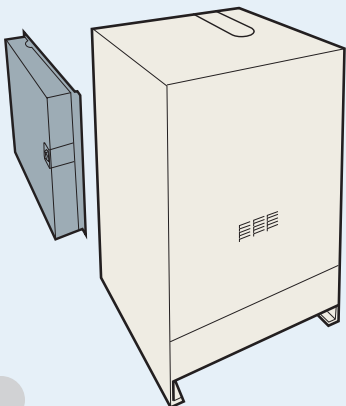
D style



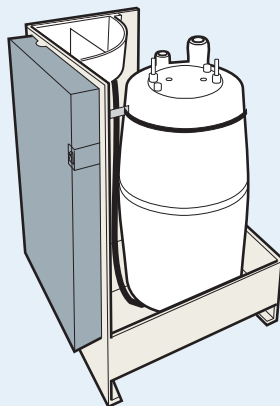
E style



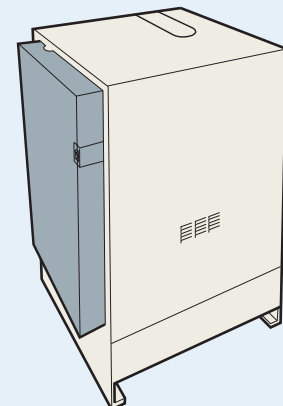
F style



G style



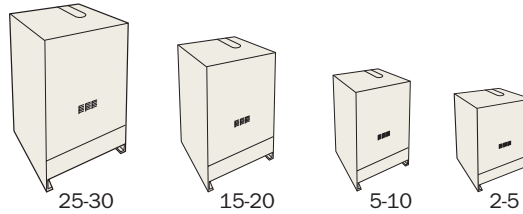
H style



I style

## Electrode Steam

SPECIFICATION	05	10	15	15	20	20	25	30
Capacity: lbs/hr*	2-5	2-10	3-15	3-15	4-20	4-20	5-25	6-30
Capacity: kg/hr*	0.9-2.3	0.9-4.5	1.4-6.8	1.4-6.8	1.8-9.1	1.8-9.1	2.3-11.34	2.7-13.6
Input kW max	1.79	3.4	5.1	5.1	6.8	6.8	8.5	10.2
Voltage	208/230/277 380/460/575	208/230/277 380/460/575	208/230/277 380/460/575	208/230 380/460/575	208/230/277 380/460/575	208/230 380/460/575	208/230 380/460/575	208/230 380/460/575
Phase	1	1	1	3	1	3	3	3
Cylinder	100	200	300	300	300	300	400	400



## Physical Dimensions

SPECIFICATION	05	10	15	20	25	30
Depth	6.6 (16.7 cm)	6.6 (16.7 cm)	8.4 (21.3 cm)	8.4 (21.3 cm)	10.5 (26.7 cm)	10.5 (26.7 cm)
Width (remote electrical)	8.6 (21.9 cm)	8.6 (21.9 cm)	10.5 (26.7 cm)	10.5 (26.7 cm)	10.5 (26.7 cm)	10.5 (26.7 cm)
Width (attached electrical)	10.7 (21.7 cm)	10.7 (21.7 cm)	12.6 (32.2 cm)	12.6 (32.2 cm)	12.6 (32.2 cm)	12.6 (32.2 cm)
Height	13.5 (34.4 cm)*	17.3 (43.9 cm)	19.4 (49.3 cm)	19.4 (49.3 cm)	21.3.4 (54.0 cm)	21.3.4 (54.0 cm)

NOTES: Dimensions reflect fully enclosed cabinets. Precise dimensions of other cabinet configurations may vary slightly.

\* For 5 lb primary voltage connection units, the height will be the same as a 10 lb unit.



# AxAir Nortec

a WMH Company

## U.S.A.

**AxAir Nortec Inc.**  
826 Proctor Avenue  
Ogdensburg, NY 13669

## CANADA

**AxAir Nortec Ltd.**  
2740 Fenton Road  
Ottawa, Ontario K1T 3T7

TEL: 1.866.NORTEC1  
FAX: 613.822.7964  
EMAIL: [nortec@humidity.com](mailto:nortec@humidity.com)  
WEBSITE: [www.humidity.com](http://www.humidity.com)

[www.norteconline.com](http://www.norteconline.com)  
[www.nortecparts.com](http://www.nortecparts.com)

ISO 9001:2000



electric steam — atomizing nozzles — high pressure nozzles — steam injection — steam exchange — gas steam



## Free Manuals Download Website

<http://myh66.com>

<http://usermanuals.us>

<http://www.somanuals.com>

<http://www.4manuals.cc>

<http://www.manual-lib.com>

<http://www.404manual.com>

<http://www.luxmanual.com>

<http://aubethermostatmanual.com>

Golf course search by state

<http://golfingnear.com>

Email search by domain

<http://emailbydomain.com>

Auto manuals search

<http://auto.somanuals.com>

TV manuals search

<http://tv.somanuals.com>