

# Panasonic Broadcast Mechanical Parts List

Model No. : **AG-HPX500P/E/MC, AG-HPX502EN**

---

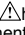
Note:

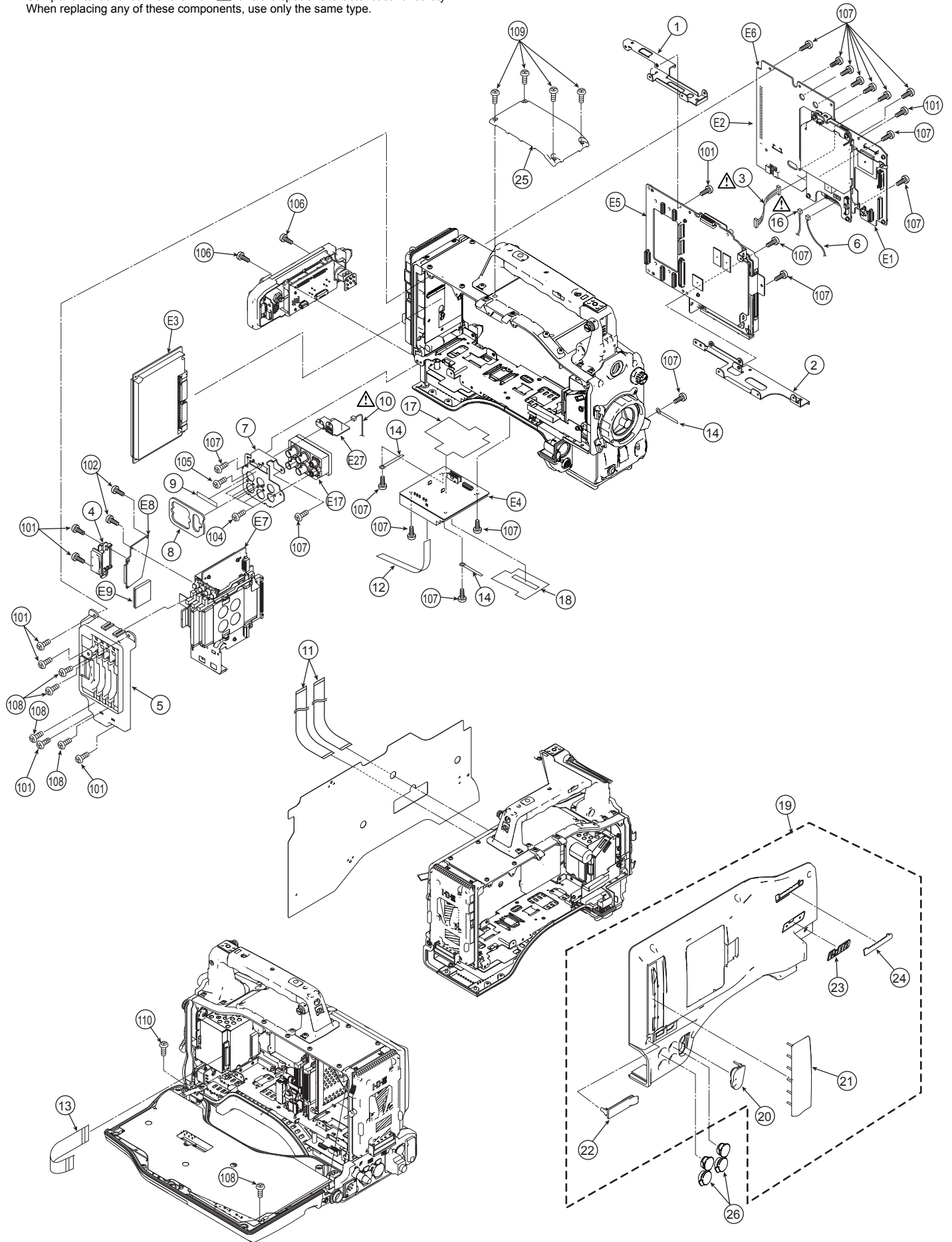
1. \*Be sure to make your orders of replacement parts according to this list.
2. Unless otherwise specified, all resistors are in OHMS, K=1,000 OHMS, all capacitors are in MICROFARADS ( $\mu\text{F}$ ), P= $\mu\text{F}$ .
3. The P.C. Board unit marked with "■" shown below the main assembled parts.
4. The parts marked with Ⓔ on the exploded view show the electric parts.
5. **IMPORTANT SAFETY NOTICE**  
Components identified with the mark  $\triangle$  have the special characteristics for safety. When replacing any of these components, use only the same type.
6. The marking (RTL) indicates the retention time is limited for this item.  
After the discontinuation of this assembly in production, it will no longer be available.
7. "M" in Remark column indicates needed in the periodical maintenance.

## CONTENTS

CASING & FRAME PARTS ASSEMBLY (1) .....	MPL-1
CASING & FRAME PARTS ASSEMBLY (2) .....	MPL-3
SIDE CASE (R) PARTS ASSEMBLY .....	MPL-5
CAMERA PARTS ASSEMBLY (1) .....	MPL-7
CAMERA PARTS ASSEMBLY (2) .....	MPL-9
TOP CASE & HANDLE PARTS ASSEMBLY .....	MPL-11
REAR JACK PARTS ASSEMBLY .....	MPL-13
BACK CASE PARTS ASSEMBLY .....	MPL-15
LCD PARTS ASSEMBLY .....	MPL-17
VF PARTS ASSEMBLY .....	MPL-19
PACKING PARTS ASSEMBLY .....	MPL-21

# CASING & FRAME PARTS ASSEMBLY (1)


Components identified with the mark  have the special characteristics for safety. When replacing any of these components, use only the same type.

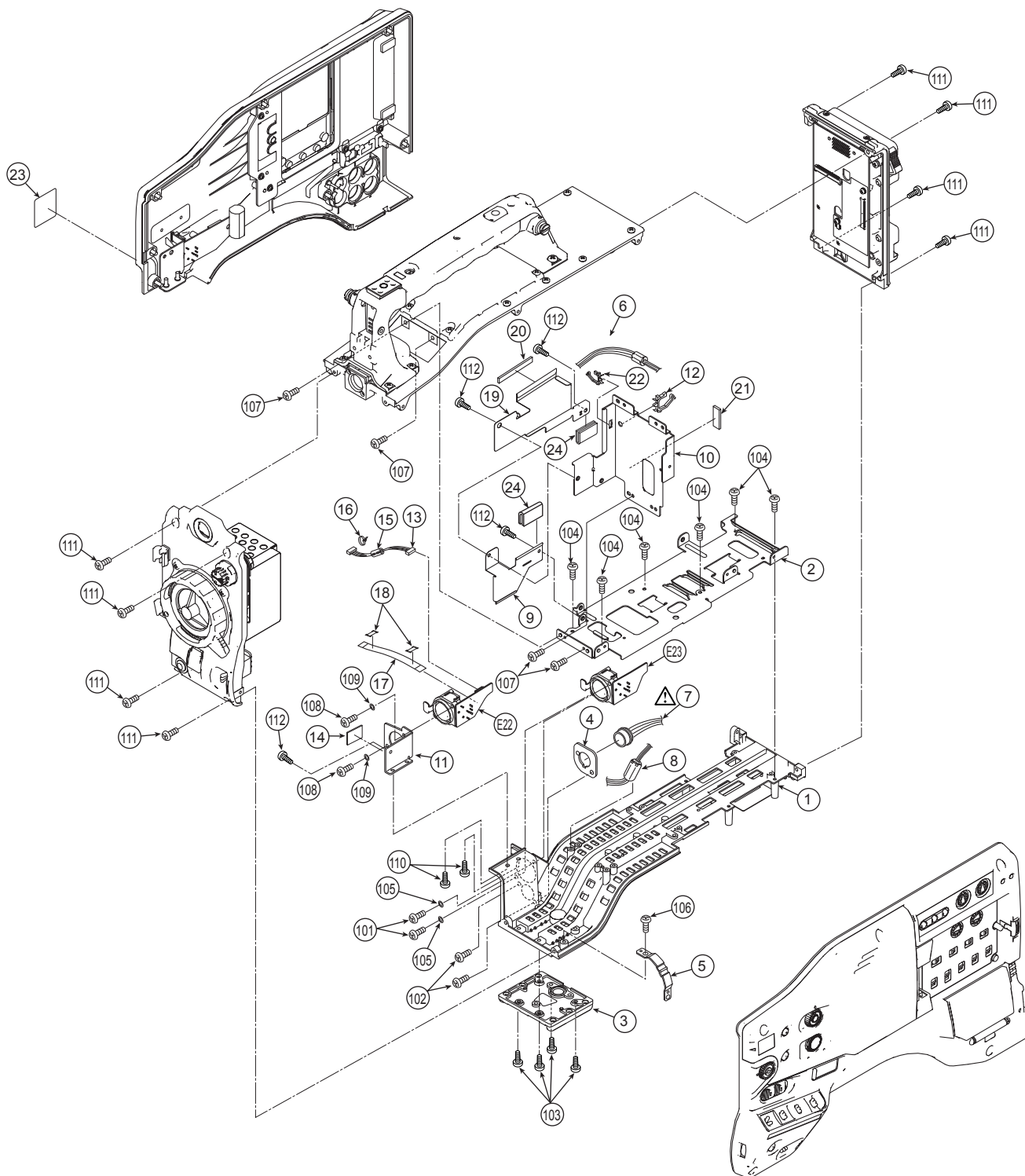


MPL-1



# CASING & FRAME PARTS ASSEMBLY (2)


Components identified with the mark  have the special characteristics for safety. When replacing any of these components, use only the same type.

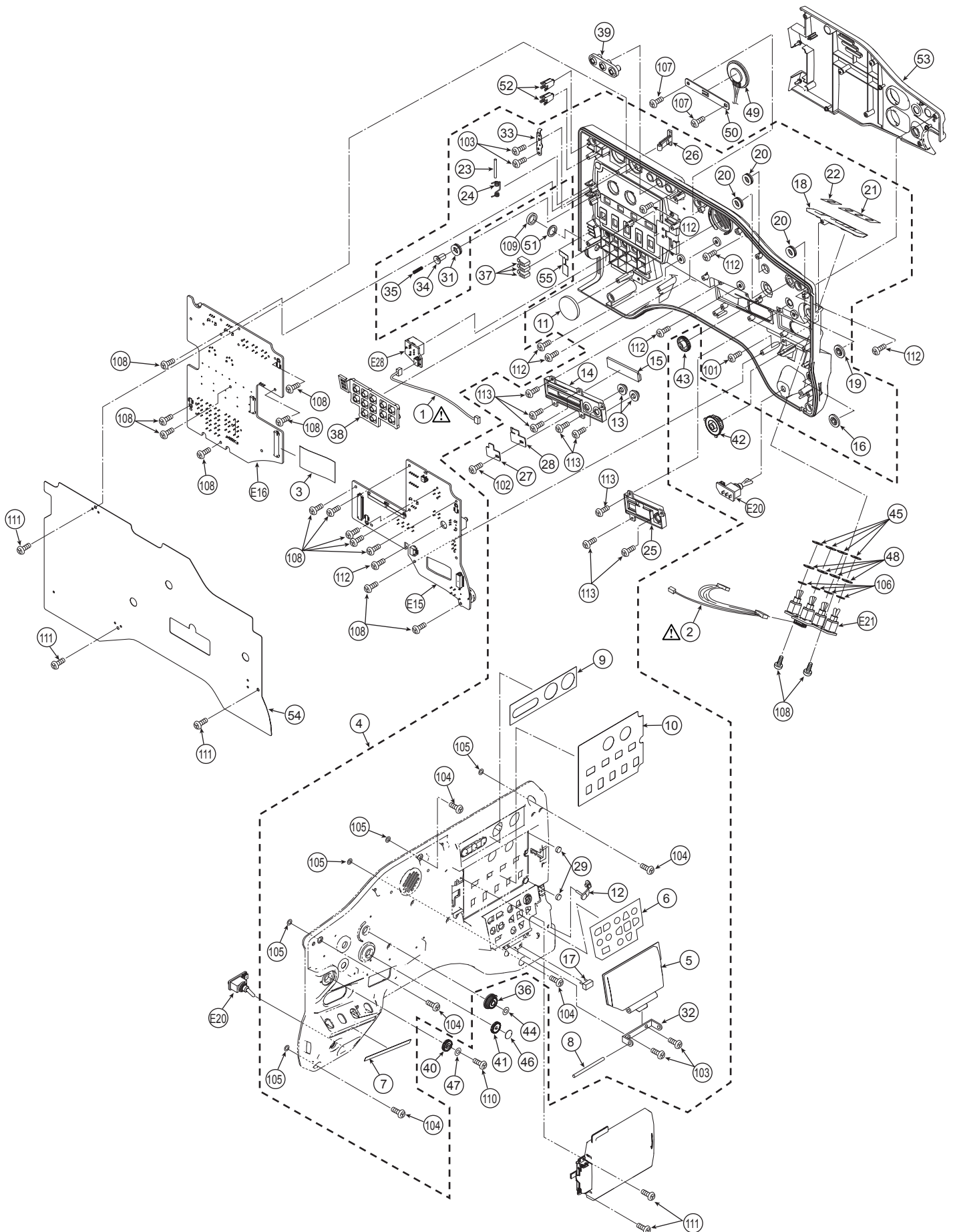


MPL-3



# SIDE CASE (R) PARTS ASSEMBLY


Components identified with the mark  have the special characteristics for safety. When replacing any of these components, use only the same type.

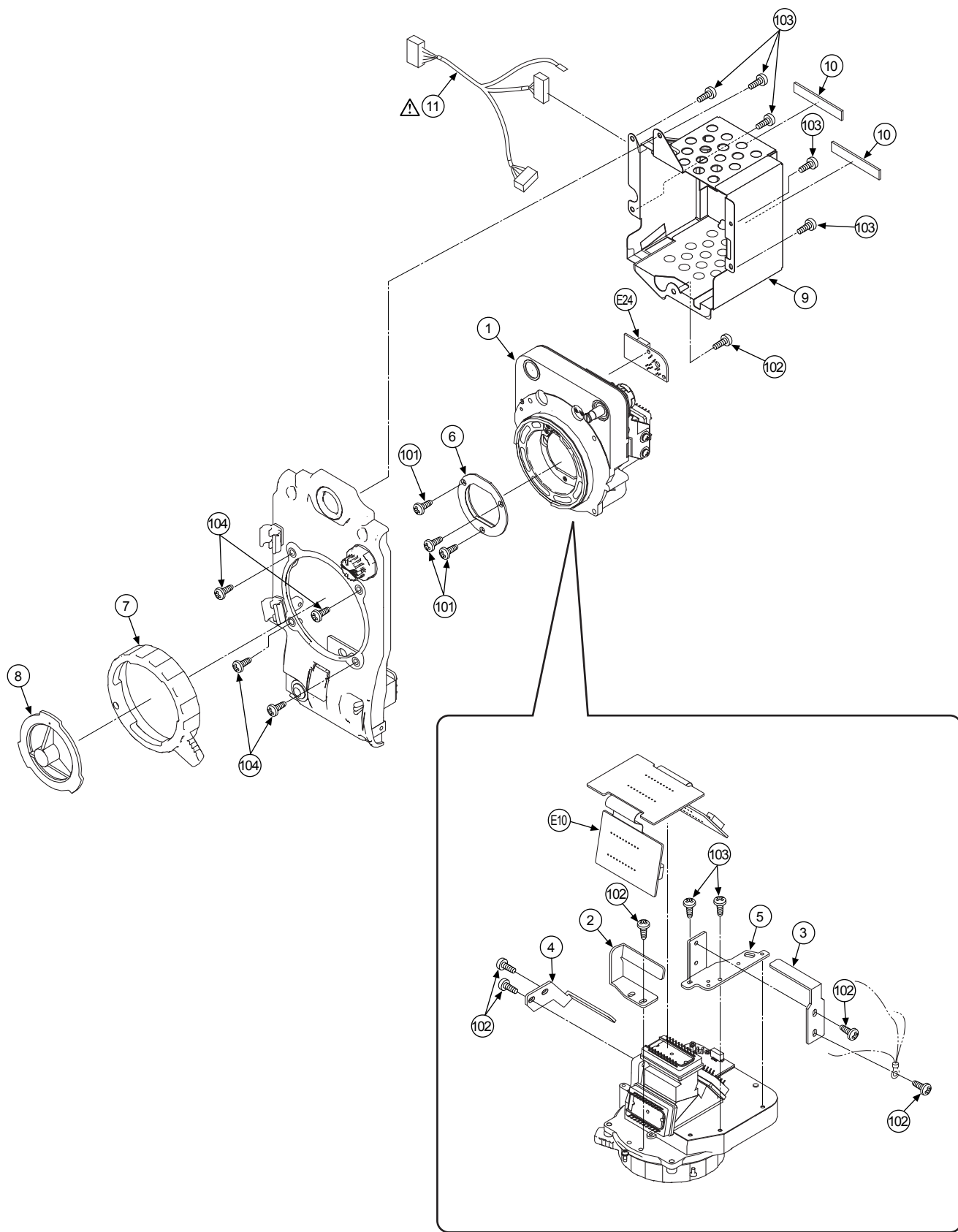


MPL-5



# CAMERA PARTS ASSEMBLY(1)

Components identified with the mark  have the special characteristics for safety. When replacing any of these components, use only the same type.




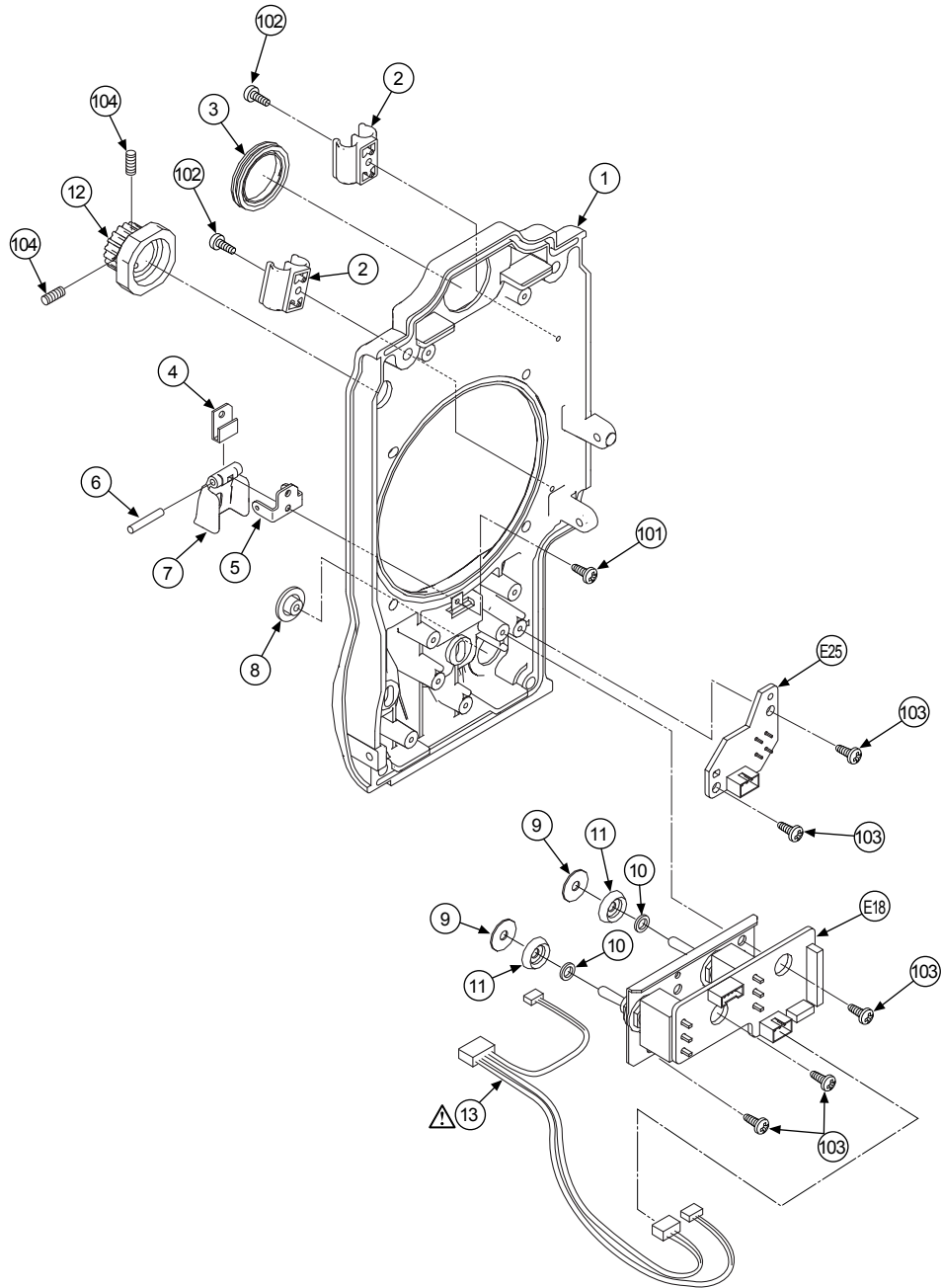
MPL-7





# CAMERA PARTS ASSEMBLY (2)

Components identified with the mark  have the special characteristics for safety. When replacing any of these components, use only the same type.




MPL-9

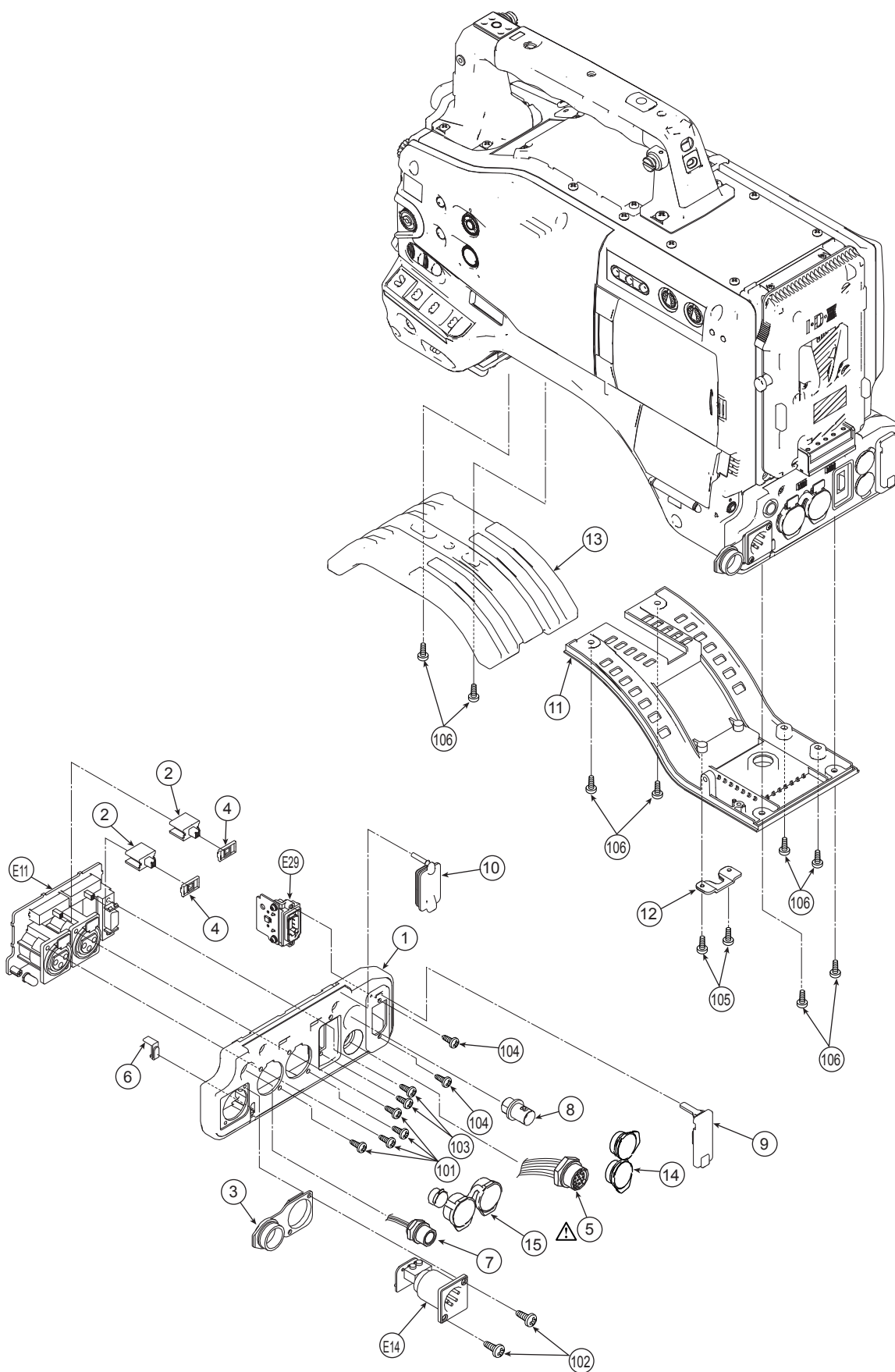






# REAR JACK PARTS ASSEMBLY

Components identified with the mark  have the special characteristics for safety. When replacing any of these components, use only the same type.



MPL-13

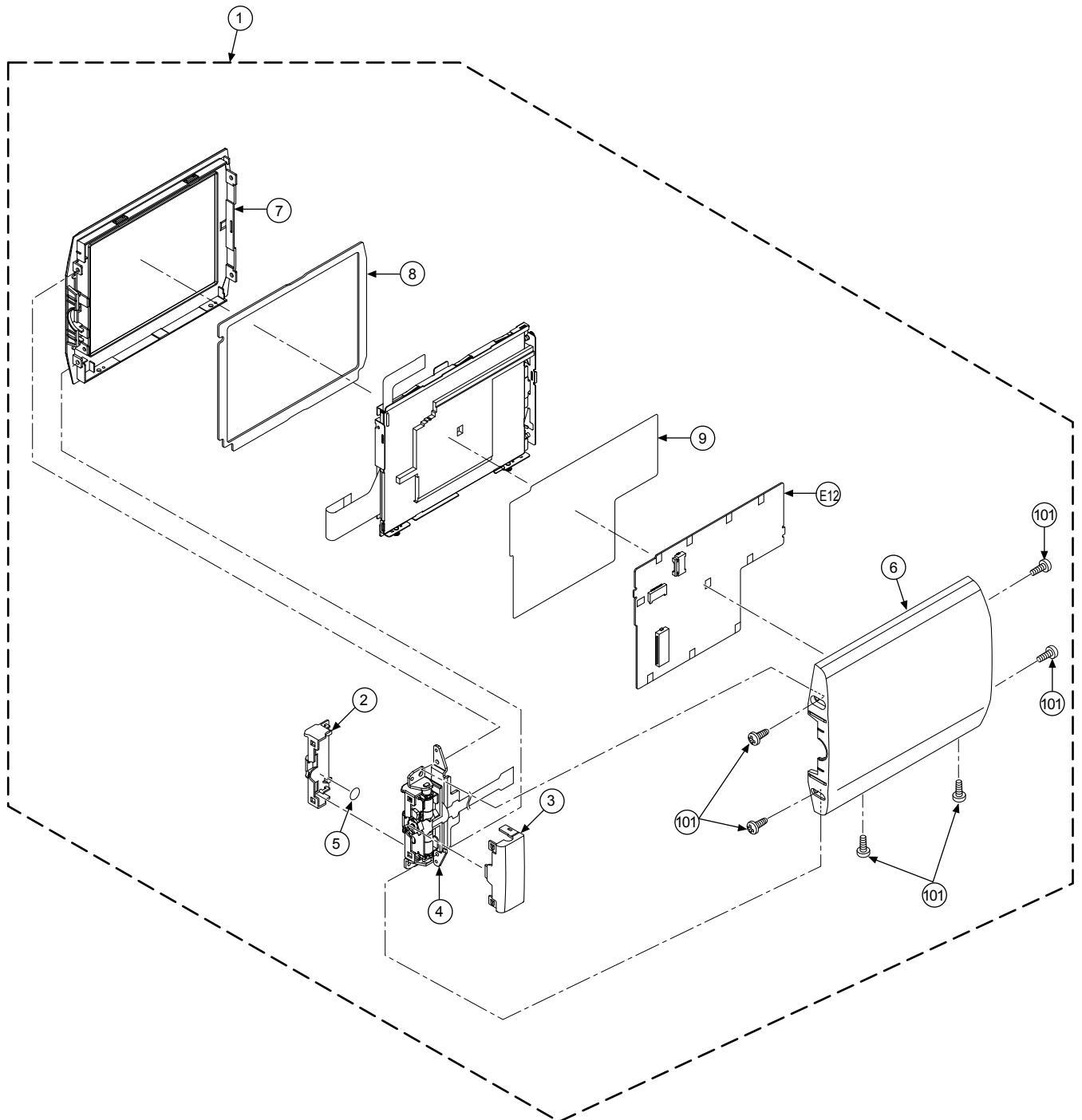









# LCD PARTS ASSEMBLY

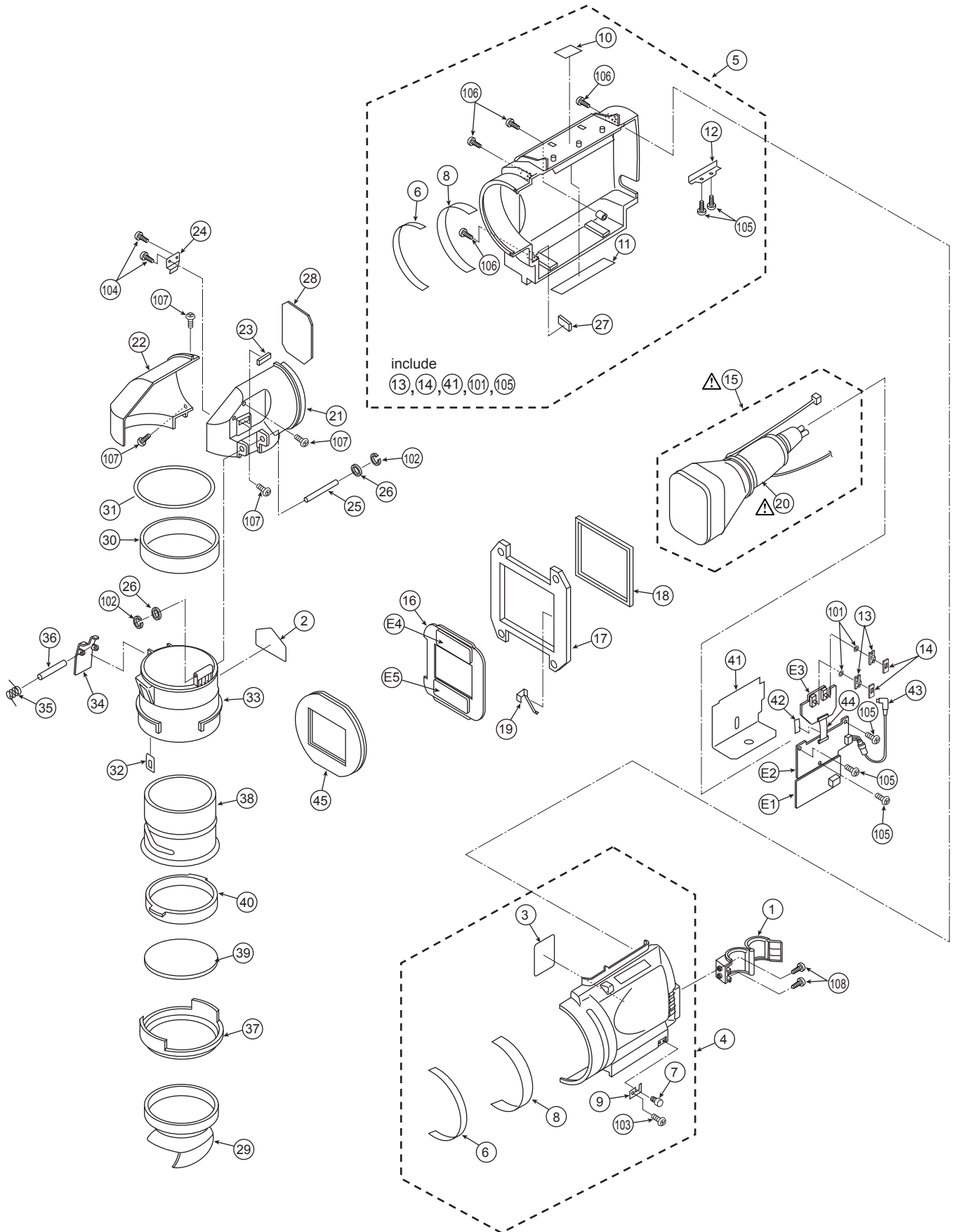


MPL-17



# VF PARTS ASSEMBLY


Components identified with the mark  have the special characteristics for safety. When replacing any of these components, use only the same type.

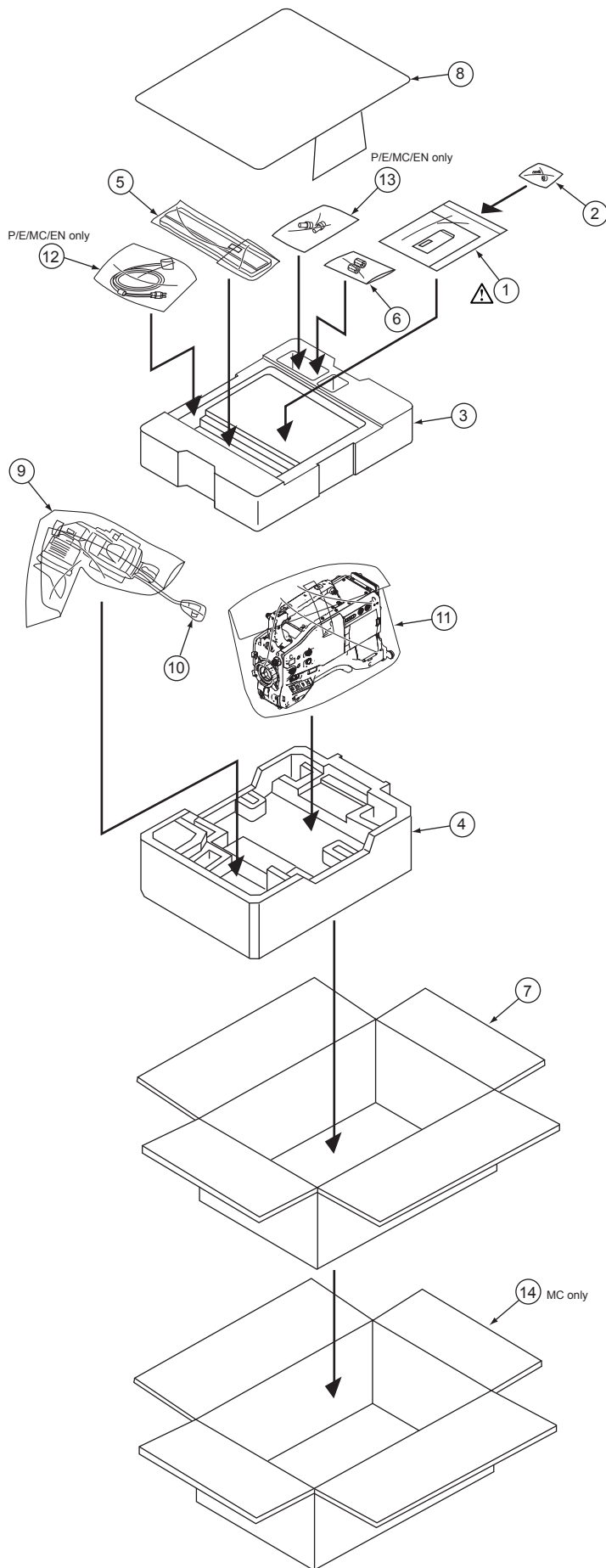


MPL-19



# PACKING PARTS ASSEMBLY

Components identified with the mark  have the special characteristics for safety. When replacing any of these components, use only the same type.



MPL-21



## Free Manuals Download Website

<http://myh66.com>

<http://usermanuals.us>

<http://www.somanuals.com>

<http://www.4manuals.cc>

<http://www.manual-lib.com>

<http://www.404manual.com>

<http://www.luxmanual.com>

<http://aubethermostatmanual.com>

Golf course search by state

<http://golfingnear.com>

Email search by domain

<http://emailbydomain.com>

Auto manuals search

<http://auto.somanuals.com>

TV manuals search

<http://tv.somanuals.com>