



by Schneider Electric

INSTALLATION

Endura[®] NSM5200/DAS5200 Series Fan Replacement

C4612M (10/09)

This document describes how to replace a failed system or CPU fan in a NSM5200 Series network system manager (NSM) or a DAS5200 Series direct attached storage (DAS).

MODELS

NSM5200-FAN	System fan replacement for the NSM5200
NSM5200-FANB	Rear chassis fan replacement for the NSM5200
DAS5200-FAN	System fan replacement for the DAS5200

REPLACING A SYSTEM FAN

The NSM5200 and the DAS5200 each have four system fans that are located in the middle of the unit. These fans are hot-swappable and can be replaced without turning the unit off and without pulling the unit completely out of the rack. A red indicator light shows the failed fan.

NOTE: When the unit is pulled out to replace a system fan, make sure that all cables connected to the unit are long enough to avoid being disconnected.

1. To release the unit from the rack, turn the two captive thumbscrews on the rack counterclockwise to loosen them.
2. Gently slide the unit toward you until it stops.
3. Remove the two screws from the appropriate system fan cover; set the screws aside.
4. Open the system fan cover.
5. Pinch the latches on either side of the failed fan, and pull the fan out of the slot.

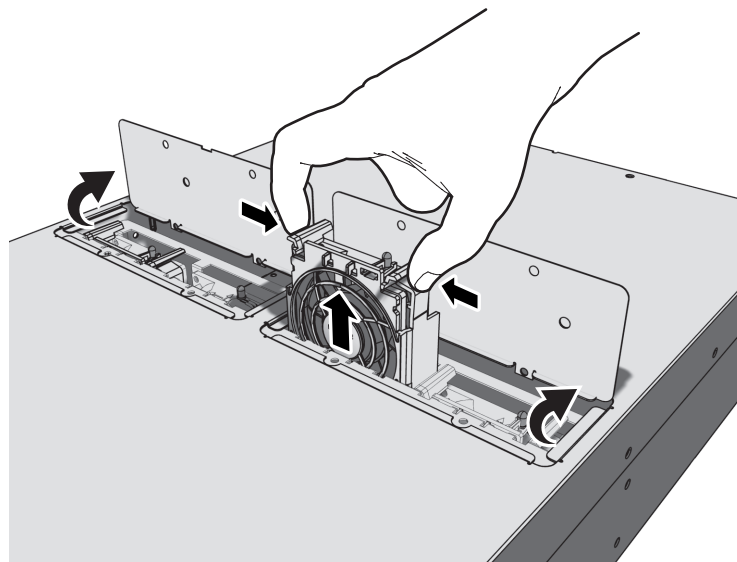


Figure 1. Replacing a System Fan

6. Gently slide the replacement fan into the empty slot. Make sure that the latches on the new fan are engaged and the fan is seated properly.
7. Close the system fan cover and replace the screws.
8. Slide the NSM5200 back into the rack.
9. Turn the captive thumbscrews clockwise to tighten them.

REPLACING A REAR CHASSIS FAN (NSM5200 ONLY)

The NSM5200 has two rear chassis fans that are located on the rear panel of the unit. These fans are hot-swappable and can be replaced without turning off the unit. A red light indicates a fan failure.

1. Turn the two captive thumbscrews counterclockwise to remove the failed rear-chassis fan (refer to Figure 2).
2. Pull the failed fan completely out of the unit.

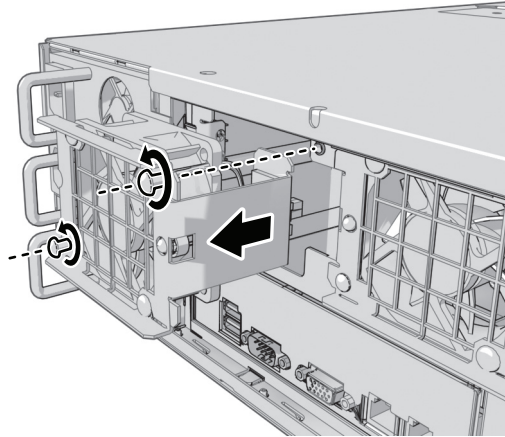


Figure 2. Replacing a CPU Fan

3. Gently slide the replacement fan into the empty slot.
4. Turn the captive thumbscrews clockwise to secure the replacement fan.

REVISION HISTORY

Manual #	Date	Comments
C4612M	10/09	Original version.



The materials used in the manufacture of this document and its components are compliant to the requirements of Directive 2002/95/EC.



This equipment contains electrical or electronic components that must be recycled properly to comply with Directive 2002/96/EC of the European Union regarding the disposal of waste electrical and electronic equipment (WEEE). Contact your local dealer for procedures for recycling this equipment.

Pelco, Inc. Worldwide Headquarters 3500 Pelco Way, Clovis, California 93612 USA
USA & Canada Tel (800) 289-9100 Fax (800) 289-9150
International Tel +1 (559) 292-1981 Fax +1 (559) 348-1120
www.pelco.com

Free Manuals Download Website

<http://myh66.com>

<http://usermanuals.us>

<http://www.somanuals.com>

<http://www.4manuals.cc>

<http://www.manual-lib.com>

<http://www.404manual.com>

<http://www.luxmanual.com>

<http://aubethermostatmanual.com>

Golf course search by state

<http://golfingnear.com>

Email search by domain

<http://emailbydomain.com>

Auto manuals search

<http://auto.somanuals.com>

TV manuals search

<http://tv.somanuals.com>