



PMC14H and PMC14H-GY 14-Inch Color Monitor



C2906M (7/03)

IMPORTANT SAFEGUARDS AND WARNINGS

1. Read these instructions.
2. Keep these instructions.
3. Heed all warnings.
4. Follow all instructions.
5. Do not use this monitor near water.
6. Do not block any ventilation openings. Install in accordance with the manufacturer's instructions.
7. Do not install near any heat sources such as radiators, heat registers, stoves, or other apparatus (including amplifiers) that produce heat.
8. Do not defeat the safety purpose of the polarized or grounding-type plug. A polarized plug has two blades with one wider than the other. A grounding plug has two blades and a third grounding prong. The wide blade or the third prong is provided for your safety. If the provided plug does not fit into your outlet, consult your electrician for replacement of the obsolete outlet.
9. Protect the power cord from being walked on or pinched, particularly at the plug, convenience receptacle, and the point where it exits from the apparatus.
10. Unplug the monitor during lightning storms or when unused for long periods of time.
11. Refer all servicing to qualified service personnel. Servicing is required when the monitor has been damaged in any way, such as when the power supply cord or plug is damaged, liquid has been spilled or objects have fallen into the monitor, the monitor has been exposed to rain or moisture, the monitor does not operate normally, or the monitor has been dropped.
12. The monitor shall not be exposed to dripping or splashing, and no objects filled with liquids, such as vases, shall be placed on the monitor.
13. **Warning:** To reduce the risk of fire or electric shock, do not expose this monitor to rain or moisture.
14. A CCC-approved power cord must be used to power this equipment when used in China.

REGULATORY NOTICES

This device complies with part 15 of the FCC Rules. Operation is subject to the following two conditions: (1) this device may not cause harmful interference, and (2) this device must accept any interference received, including interference that may cause undesired operation.

RADIO AND TELEVISION INTERFERENCE

This equipment has been tested and found to comply with the limits of a Class A digital device, pursuant to Part 15 of the FCC Rules. These limits are designed to provide reasonable protection against harmful interference when the equipment is operated in a commercial environment. This equipment generates, uses, and can radiate radio frequency energy and, if not installed and used in accordance with the instruction manual, may cause harmful interference to radio communications. Operation of this equipment in a residential area is likely to cause harmful interference in which case the user will be required to correct the interference at his own expense.

Changes and modifications not expressly approved by the manufacturer or registrant of this equipment can void your authority to operate this equipment under Federal Communications Commission's rules.

This Class A digital apparatus complies with Canadian ICES-003.

Cet appareil numérique de la classe A est conforme à la norme NMB-003 du Canada.

DESCRIPTION

The PMC14H is a high-resolution color monitor that can be used in desktop applications or rack mounted using the optional RMA14F rack mount kit. The monitor supports NTSC and PAL video, as well as 120 VAC and 230 VAC input power. An automatic switching system makes all the necessary changes for adapting to the required formats. Manual selection is not required. A separate power cord is supplied for each voltage input.

The back panel of the PMC14H has two BNC video inputs with looping outputs, one S-Video input, and multiple audio inputs and outputs. All image adjustment controls are conveniently located on the front panel of the monitor.

INSTALLATION

1. Make all equipment connections as required for your installation. Refer to Figures 1 through 3 for samples of installation methods.

Refer to Table A for coaxial cable requirements.

2. Plug power cord into the AC INLET connection on the rear panel of the monitor. Plug the other end into a power receptacle.

Table A. Video Coaxial Cable Requirements

Cable Type*	Maximum Distance
RG59/U	750 ft (229 m)
RG6/U	1,000 ft (305 m)
RG11/U	1,500 ft (457 m)

*Minimum cable requirements:

75 ohms impedance

All-copper center conductor

All-copper braided shield with 95% braid coverage

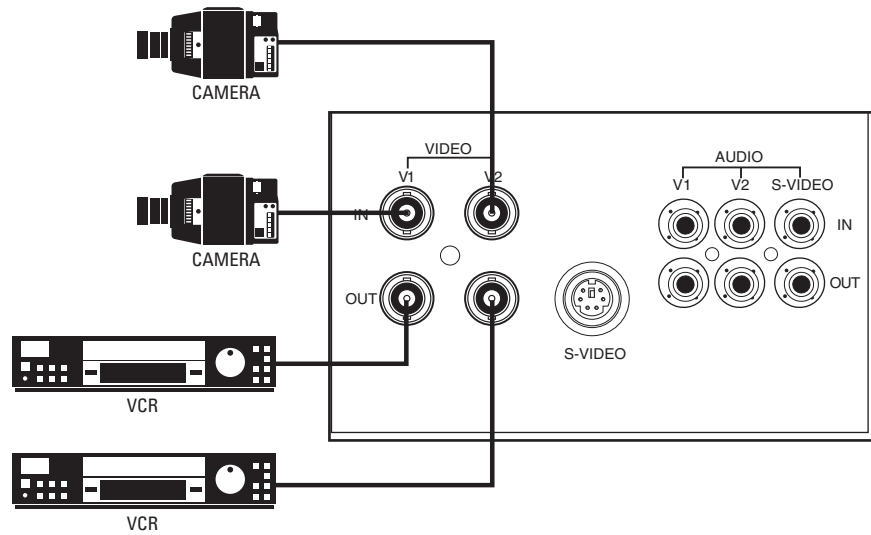


Figure 1. Looping Operation – One Monitor with External Video Equipment

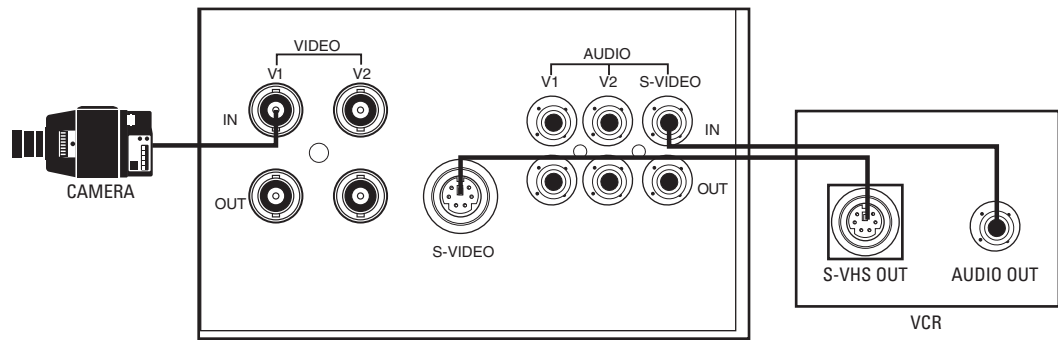


Figure 2. S-VHS Video Input Connections

Note: The S-Video connector is an input connector; there is no loop-through capability using S-Video.

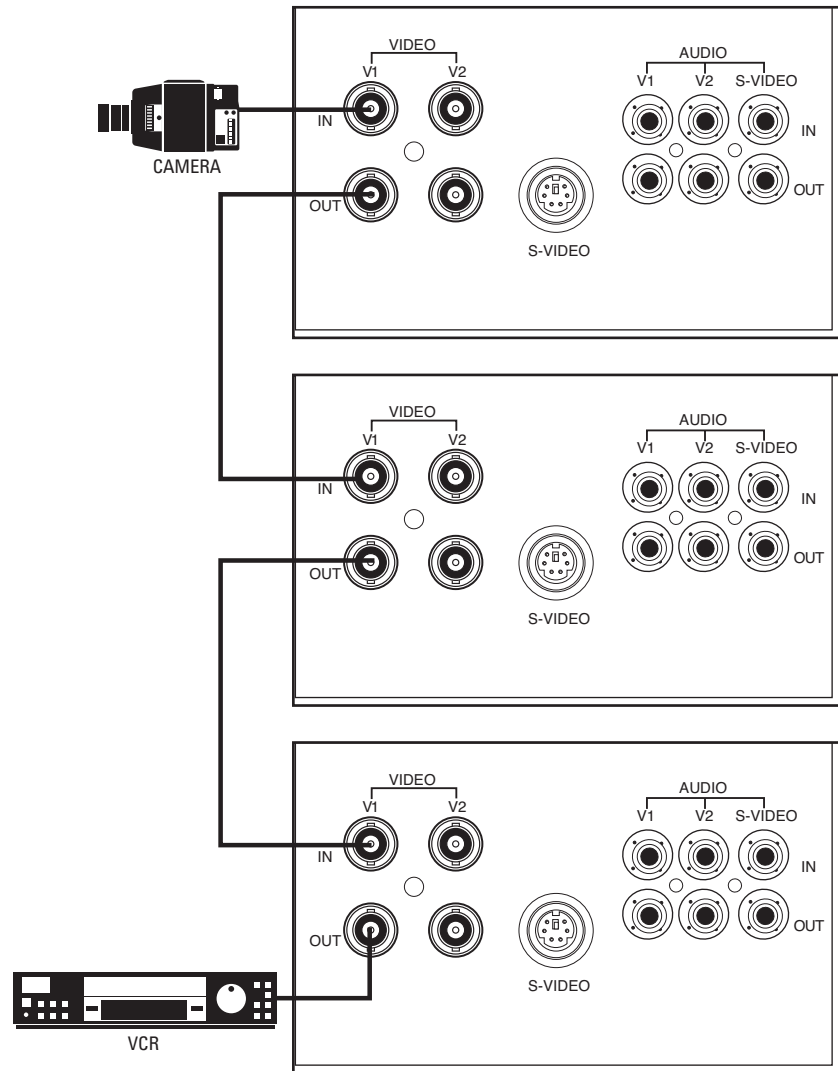


Figure 3. Looping Operation – Maximum of Three Monitors with External Video Equipment

OPERATION

1. Press the POWER button to turn the monitor on. The LED above the power button will illuminate when the monitor is on.
2. Select the camera by pressing the V1, V2, or S-VIDEO button (refer to Figure 4).
3. If required adjust the picture using the control knobs on the front panel. Refer to Figure 4 for front panel controls.

FRONT PANEL ADJUSTMENTS

TINT Color phase adjustment. Turn clockwise to increase the greenish tones in the picture. Turn counterclockwise to increase the reddish tones in the picture.

COLOR Color saturation level. Turn the control knob clockwise to increase the saturation level and counterclockwise to decrease the saturation level.

CONT Contrast adjustment. Proper adjustment will allow maximum gradations between the darkest and lightest picture contrast. Turn the control clockwise to increase picture contrast and counterclockwise to decrease contrast.

BRIGHT Brightness display adjustment. Turn the control clockwise to increase brightness and counterclockwise to decrease brightness.

SHARP Sharpness adjustment. Adjust control knob to obtain the clearest picture.

VOLUME Audio adjustment. Turn the control clockwise to increase volume and counterclockwise to decrease volume.

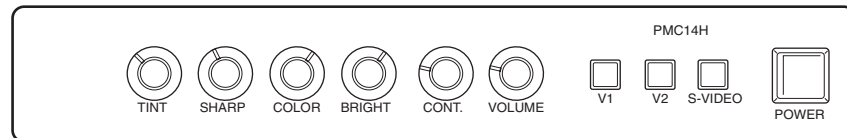


Figure 4. Front Panel of Monitor

SPECIFICATIONS

ELECTRICAL

Input Voltage:	100-240 VAC, 50/60 Hz, automatic switching
Power Consumption:	45 watts
Horizontal Resolution:	450 TV lines, center of screen
Visual Picture Size:	14-inch (35.56 cm) diagonal
Sweep Linearity:	10%
Speaker Output:	1.0 watt (-3 dBV)

GENERAL

Input/Output	
Video:	2 BNC inputs, 75 ohms or Hi-Z 2 looping outputs
Audio:	3 RCA inputs, Hi-Z 3 looping outputs
S-Video:	1 DIN input
Construction:	Steel cabinet
Finish	
PMC14H:	Black
PMC14H-GY	Gray
Dimensions:	13.76 (W) x 12.89 (H) x 14.59 (D) inches (34.8 x 32.7 x 37.0 cm)
Weight:	30.6 lb (14 kg)

ENVIRONMENTAL

Operating Temperature:	32° to 106°F (0° to 41°C)
Humidity:	10% to 85% (non-condensing)

(Design and product specifications subject to change without notice.)

REVISION HISTORY

Manual #	Date	Comments
C2906M	7/03	Original version.

WARRANTY AND RETURN INFORMATION

WARRANTY

Pelco will repair or replace, without charge, any merchandise proved defective in material or workmanship for a period of one year after the date of shipment. Exceptions to this warranty are as noted below:

- Five years on Pelco manufactured cameras (CC3500/CC3600/CC3700 and MC3500/MC3600 Series); two years on all other cameras.
- Three years on Genex® Series (multiplexers, server, and keyboard) and 090 Series Camclosure® Camera System.
- Two years on 100/150, 200 and 300 Series Camclosure® Camera Systems.
- Two years on all standard motorized or fixed focal length lenses.
- Two years on Legacy®, CM6700/CM6800/CM8500/CM9500/CM9740/CM9760 Matrix, DF5 and DF8 Series Fixed Dome products.
- Two years on Spectra®, Esprit®, and PS20 Scanners, including when used in continuous motion applications.
- Two years on Esprit and WW5700 series window wiper (excluding wiper blades).
- Eighteen months on DX Series digital video recorders.
- One year (except video heads) on video cassette recorders (VCRs). Video heads will be covered for a period of six months.
- Six months on all pan and tilts, scanners or preset lenses used in continuous motion applications (that is, preset scan, tour and auto scan modes).

Pelco will warrant all replacement parts and repairs for 90 days from the date of Pelco shipment. All goods requiring warranty repair shall be sent freight prepaid to Pelco, Clovis, California. Repairs made necessary by reason of misuse, alteration, normal wear, or accident are not covered under this warranty.

Pelco assumes no risk and shall be subject to no liability for damages or loss resulting from the specific use or application made of the Products. Pelco's liability for any claim, whether based on breach of contract, negligence, infringement of any rights of any party or product liability, relating to the Products shall not exceed the price paid by the Dealer to Pelco for such Products. In no event will Pelco be liable for any special, incidental or consequential damages (including loss of use, loss of profit and claims of third parties) however caused, whether by the negligence of Pelco or otherwise.

The above warranty provides the Dealer with specific legal rights. The Dealer may also have additional rights, which are subject to variation from state to state.

If a warranty repair is required, the Dealer must contact Pelco at (800) 289-9100 or (559) 292-1981 to obtain a Repair Authorization number (RA), and provide the following information:

1. Model and serial number
2. Date of shipment, P.O. number, Sales Order number, or Pelco invoice number
3. Details of the defect or problem

If there is a dispute regarding the warranty of a product which does not fall under the warranty conditions stated above, please include a written explanation with the product when returned.

Method of return shipment shall be the same or equal to the method by which the item was received by Pelco.

RETURNS

In order to expedite parts returned to the factory for repair or credit, please call the factory at (800) 289-9100 or (559) 292-1981 to obtain an authorization number (CA number if returned for credit, and RA number if returned for repair).

All merchandise returned for credit may be subject to a 20% restocking and refurbishing charge.

Goods returned for repair or credit should be clearly identified with the assigned CA or RA number and freight should be prepaid. Ship to the appropriate address below.

If you are located within the continental U.S., Alaska, Hawaii or Puerto Rico:

Service Department
Pelco
3500 Pelco Way
Clovis, CA 93612-5699

If you are located outside the continental U.S., Alaska, Hawaii or Puerto Rico:

Intermediate Consignee
American Overseas Air Freight
320 Beach Road
Burlingame, CA 94010
USA

Ultimate Consignee
Pelco
3500 Pelco Way
Clovis, CA 93612-5699
USA



This equipment contains electrical or electronic components that must be recycled properly to comply with Directive 2002/96/EC of the European Union regarding the disposal of waste electrical and electronic equipment (WEEE). Contact your local dealer for procedures for recycling this equipment.

World Headquarters
3500 Pelco Way
Clovis, California 93612 USA

USA & Canada
Tel: 800/289-9100
Fax: 800/289-9150

International
Tel: 1-559/292-1981
Fax: 1-559/348-1120

www.pelco.com

ISO9001

Orangeburg, New York | Las Vegas, Nevada | Eindhoven, The Netherlands | Wokingham, United Kingdom | Montreal, Canada

Free Manuals Download Website

<http://myh66.com>

<http://usermanuals.us>

<http://www.somanuals.com>

<http://www.4manuals.cc>

<http://www.manual-lib.com>

<http://www.404manual.com>

<http://www.luxmanual.com>

<http://aubethermostatmanual.com>

Golf course search by state

<http://golfingnear.com>

Email search by domain

<http://emailbydomain.com>

Auto manuals search

<http://auto.somanuals.com>

TV manuals search

<http://tv.somanuals.com>