

**BB08 Series  
Intercept<sup>®</sup>  
Back Box**

**Installation/  
Operation Manual**

**C456M-D (1/98)**

Pelco • 3500 Pelco Way • Clovis, CA 93612-5699 USA • [www.pelco.com](http://www.pelco.com)  
In North America and Canada: Tel (800) 289-9100 or FAX (800) 289-9150  
International Customers: Tel (1-559) 292-1981 or FAX (1-559) 348-1120

---



---

# CONTENTS

---



---

<b>Section</b>	<b>Page</b>
1.0 GENERAL .....	3
1.1 IMPORTANT SAFEGUARDS AND WARNINGS .....	3
1.2 UNPACKING INSTRUCTIONS .....	4
1.3 RECOMMENDED TOOLS .....	4
2.0 DESCRIPTION .....	5
2.1 MODELS .....	5
3.0 INSTALLATION .....	6
3.1 SUSPENDED CEILING .....	6
3.2 PENDANT .....	11
4.0 EXPLODED ASSEMBLY DIAGRAMS .....	13
5.0 SPECIFICATIONS .....	18
6.0 WARRANTY AND RETURN INFORMATION .....	20

## LIST OF ILLUSTRATIONS

<b>Figure</b>		<b>Page</b>
1	"T-Bar" Clip Installation .....	8
2	24 VAC Back Box Wiring Diagram .....	9
3	120 VAC Back Box Wiring Diagram .....	10
4	BB08A120 Back Box Exploded Assembly Diagram .....	13
5	BB08E120 and BB08E211 Back Boxes Exploded Assembly Diagram ...	14
6	Back Plate Exploded Assembly Diagram .....	16
7	BB08A120 Dimension Drawings .....	19
8	BB08E120 and BB08E211 Dimension Drawing .....	19

## LIST OF TABLES

<b>Table</b>		<b>Page</b>
A	Video Coaxial Cable Requirements .....	7
B	24 VAC Wiring Distances .....	7
C	BB08A120 Back Box Exploded Assembly Parts List (Figure 4) .....	15
D	BB08E120 and BB08E211 Back Boxes Exploded Assembly Parts List (Figure 5) .....	15
E	Back Plate Exploded Assembly Parts List .....	17

## REVISION HISTORY

<b>Manual #</b>	<b>Date</b>	<b>Comments</b>
C456M	6/93	Original manual.
C456M	9/93	Addendum incorporated into manual to include updated wiring diagrams as well as updated exploded view diagram.
C456M	8/94	Manual revised to include updated wiring information.
C456M-A	6/95	Manual revised to include BOM quantity changes as per ECO# 94-445; incorporated information on E-type white finish available as per ECO# 95-013; included "front" label information into BOM as per ECO# 94-192; also created manual history and updated to new manual style.
	6/95	Addendum. Incorporated new fuse and fuse holder into wiring diagrams and exploded view diagram as per ECO# 95-063.
C456M-B	9/95	Manual revised to include sound quieting inserts as standard feature, as per ECO# 95-356. Made BOM changes as per ECO# 95-352.
C456M-C	4/96	Added Figure 16 and revised instructions for installing optional backup plate per ECO# 96-061. Changed heater specifications.
C456M-D	1/98	Completely revised manual to reduce the number of models and expand installation instructions. Incorporated ECO# 97-364. Updated exploded assembly diagrams and parts lists. Changed manual to new format and manual pagination.

---

---

## 1.0 GENERAL

---

---

### 1.1 IMPORTANT SAFEGUARDS AND WARNINGS

Prior to installation and use of this product, the following WARNINGS should be observed.

1. Installation and servicing should only be done by Qualified Service Personnel and conform to all Local codes.
2. Unless the unit is specifically marked as a NEMA Type 3, 3R, 3S, 4, 4X, 6, or 6P enclosure, it is designed for indoor use only and it must not be installed where exposed to rain and moisture.
3. Only use replacement parts recommended by Pelco.
4. After replacement/repair of this unit's electrical components, conduct a resistance measurement between line and exposed parts to verify the exposed parts have not been connected to line circuitry.
5. The installation method and materials should be capable of supporting four (4) times the weight of the enclosure, pan/tilt, camera and lens combination.

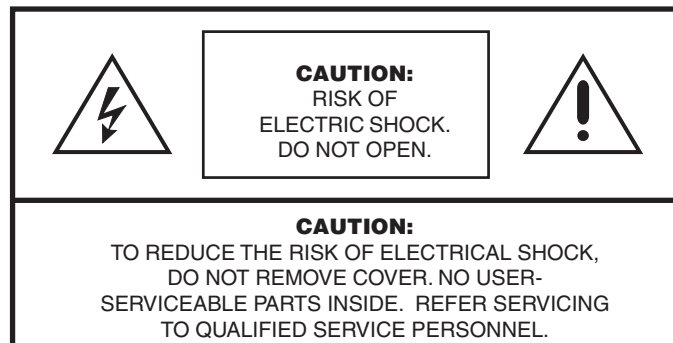
#### The product and/or manual may bear the following marks:



This symbol indicates that dangerous voltage constituting a risk of electric shock is present within this unit.



This symbol indicates that there are important operating and maintenance instructions in the literature accompanying this unit.



**Please thoroughly familiarize yourself with the information  
in this manual prior to installation and operation.**

## 1.2 UNPACKING INSTRUCTIONS

Unpack and inspect all parts carefully.

Be sure to save the shipping carton and any inserts. They are the safest material in which to make future shipments.

If an item appears to have been damaged in shipment, replace it properly in its carton and contact the factory at 1-800-289-9100 or 1-559-292-1981 for a replacement. (International customers fax 1-559-348-1120 for authorization and instructions.)

If an item needs to be returned to the factory for repair, consult the WARRANTY AND RETURN section of this manual for instructions.

The following items are supplied:

### BB08A120 MODEL

- 1 Back box with face plate, trim ring, and dome
- 1 Parts bag
  - 2 Eye bolts with nuts, flat washers and split lock washers
  - 4 T-rail clips
- 1 Installation/Operation Manual (C456M-D)

### BB08E120 and BB08E211 MODELS

- 1 Bezel with dome
- 1 Pendant cap
- 1 Back box
- 1 Parts bag with two O-rings (BB08E211 only)
- 1 Installation/Operation Manual (C456M-D)

## 1.3 RECOMMENDED TOOLS

Pelco does not supply basic tools needed for the installation process. The following tools are recommended:

- Medium Phillips screwdriver
- Wire cutter
- Wire stripper
- BNC crimp tool
- Coaxial cable stripper
- Hammer and punch (suspended ceiling model only)
- Large Phillips screwdriver (suspended ceiling model only)
- 11 mm wrench (suspended ceiling model only)

---

---

## 2.0 DESCRIPTION

---

---

The BB08 Series of back boxes is part of the IDS08 Intercept® Series of domes. The IDS08 Series is an integral system that includes a back box (BB08), dome drive (DD08), dome receiver/driver (DRD08), and imager/optics package (IOP08).

This manual covers the BB08 Series of back boxes. For installation and operation instructions for the dome drive, refer to manual C416M-C; for the dome receiver/driver, refer to C466M-E; and for the imager/optics package, refer to C1441M-C.

### 2.1 MODELS

BB08A120	Indoor back box with smoked dome; 24 VAC input; installs in a suspended ceiling. (CE, UL)
BB08E120	Indoor black pendant-mount back box with smoked dome. 24 VAC input.
BB08E211	Outdoor light gray pendant-mount back box with clear dome. 120 VAC input. Includes heater and fan. (UL)

---

---

## 3.0 INSTALLATION

---

---

### 3.1 SUSPENDED CEILING

1. Remove the ceiling tile from the ceiling. If you are installing the back box into a 2' x 4' (61 x 122 cm) ceiling grid, cut the tile in half and install an additional "T" bar for support. Reinstall one of the 2' x 2' (61 x 61 cm) sections.
2. Bring the wiring to the back box opening in the ceiling.
  - Video - Refer to Table A for the type of video coaxial cable to use.
  - Power - If the input power to the dome is 24 VAC, refer to Table B to determine the size of wire to use. The power requirement is 48 vA.
  - Control - If you **are** using a Coaxitron® controller, the control signals to operate the dome drive will be transmitted over the video coax.

If you **are not** using a Coaxitron® controller, bring wires to the back box for two RS-485 control lines (RX+ and RX-).

**Table A. Video Coaxial Cable Requirements**

Cable Type*	Maximum Distance
RG59/U	750 ft (229 m)
RG6/U	1,000 ft (305 m)
RG11/U	1,500 ft (457 m)
* Minimum cable requirements: 75 ohms All-copper center conductor All-copper braided shield with 95% braid coverage	

**Table B. 24 VAC Wiring Distances**

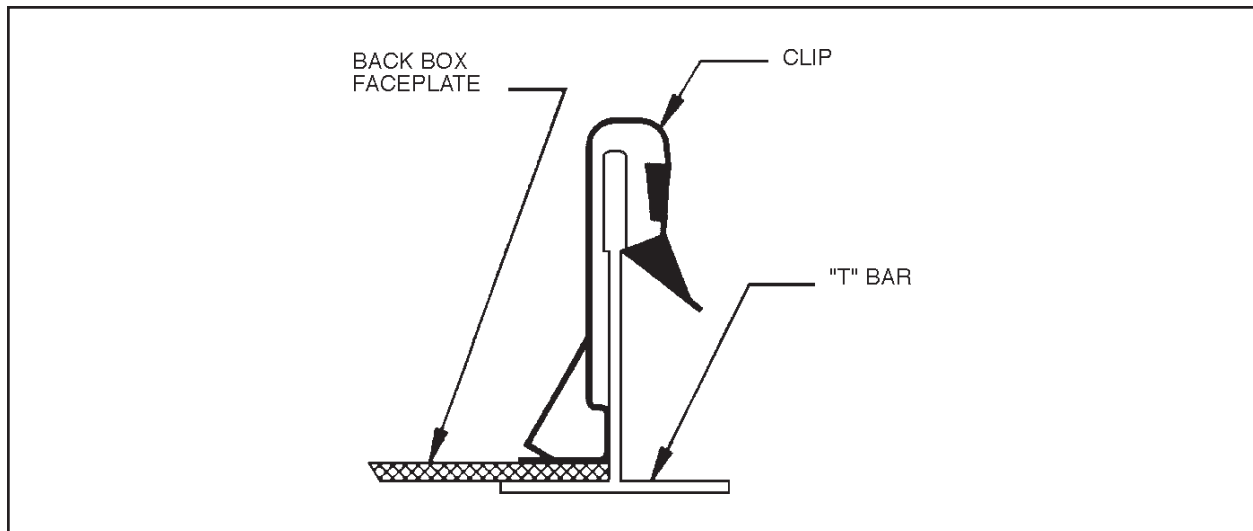
The following are the recommended maximum distances for 24 VAC applications and are calculated with a 10-percent voltage drop. (10-percent is generally the maximum allowable voltage drop for AC-powered devices.)

**EXAMPLE:** An enclosure that requires 80 vA and is installed 35 feet (10 m) from the transformer would require a minimum wire gauge of 20 Awg.

**NOTE:** Distances are calculated in feet; values in parentheses are meters.

		Wire Gauge					
		20	18	16	14	12	10
Total vA consumed	10	283 (86)	451 (137)	716 (218)	1142 (348)	1811 (551)	2880 (877)
	20	141 (42)	225 (68)	358 (109)	571 (174)	905 (275)	1440 (438)
	30	94 (28)	150 (45)	238 (72)	380 (115)	603 (183)	960 (292)
	40	70 (21)	112 (34)	179 (54)	285 (86)	452 (137)	720 (219)
	50	56 (17)	90 (27)	143 (43)	228 (69)	362 (110)	576 (175)
	60	47 (14)	75 (22)	119 (36)	190 (57)	301 (91)	480 (146)
	70	40 (12)	64 (19)	102 (31)	163 (49)	258 (78)	411 (125)
	80	35 (10)	56 (17)	89 (27)	142 (43)	226 (68)	360 (109)
	90	31 (9)	50 (15)	79 (24)	126 (38)	201 (61)	320 (97)
	100	28 (8)	45 (13)	71 (21)	114 (34)	181 (55)	288 (87)
	110	25 (7)	41 (12)	65 (19)	103 (31)	164 (49)	261 (79)
	120	23 (7)	37 (11)	59 (17)	95 (28)	150 (45)	240 (73)
	130	21 (6)	34 (10)	55 (16)	87 (26)	139 (42)	221 (67)
	140	20 (6)	32 (9)	51 (15)	81 (24)	129 (39)	205 (62)
	150	18 (5)	30 (9)	47 (14)	76 (23)	120 (36)	192 (58)
	160	17 (5)	28 (8)	44 (13)	71 (21)	113 (34)	180 (54)
	170	16 (4)	26 (7)	42 (12)	67 (20)	106 (32)	169 (51)
	180	15 (4)	25 (7)	39 (11)	63 (19)	100 (30)	160 (48)
	190	14 (4)	23 (7)	37 (11)	60 (18)	95 (28)	151 (46)
	200	14 (4)	22 (6)	35 (10)	57 (17)	90 (27)	144 (43)
		Maximum distance from transformer to load					

3. To create an opening for the wiring, use a hammer and punch to remove one of the knockouts in the top of the back box. If it is necessary to work inside the back box, remove the trim ring and dome by inserting a screwdriver or your fingers between the trim ring and the faceplate and popping the trim ring and dome loose.
  4. Remove the trim ring and dome (see step 3). Remove the parts bag inside the back box. Reattach the trim ring and dome to the back box.
  5. Angle the back box through the grid opening and set the back box into the grid.
  6. From an opening in a grid adjacent to the back box, install the four T-rail clips that are supplied in the parts bag (refer to Figure 1).
  7. If additional support is required (such as anchoring with a chain or steel cable to a support beam above the dome enclosure), install one or both of the 1/4-20 eye bolts and washers that are supplied in the parts bag:
    - a. Remove one or two of the 1/4-20 screws in the top of the back box.
    - b. Screw a nut about a half inch onto an eyebolt.
    - c. Slide a split lock washer and flat washer onto the eyebolt.
    - d. Screw the eyebolt into the back box and lock the eyebolt into place by tightening the nut with an 11 mm wrench.
    - e. Repeat steps b-d if you are going to install the second eyebolt.
    - f. Use a chain or cable to fasten the eyebolt(s) to a support structure in the ceiling.
  8. Remove the trim ring and dome.
- Refer to Figure 2 for the following steps.
9. Push the wiring into the back box. If you are using conduit, fasten the conduit to the back box.
  10. Install the coaxial cable to the BNC connector.
  11. Install power to the 10-position terminal block. Make sure the power switch on the side of the back box is off.



**Figure 1.** "T-Bar" Clip Installation



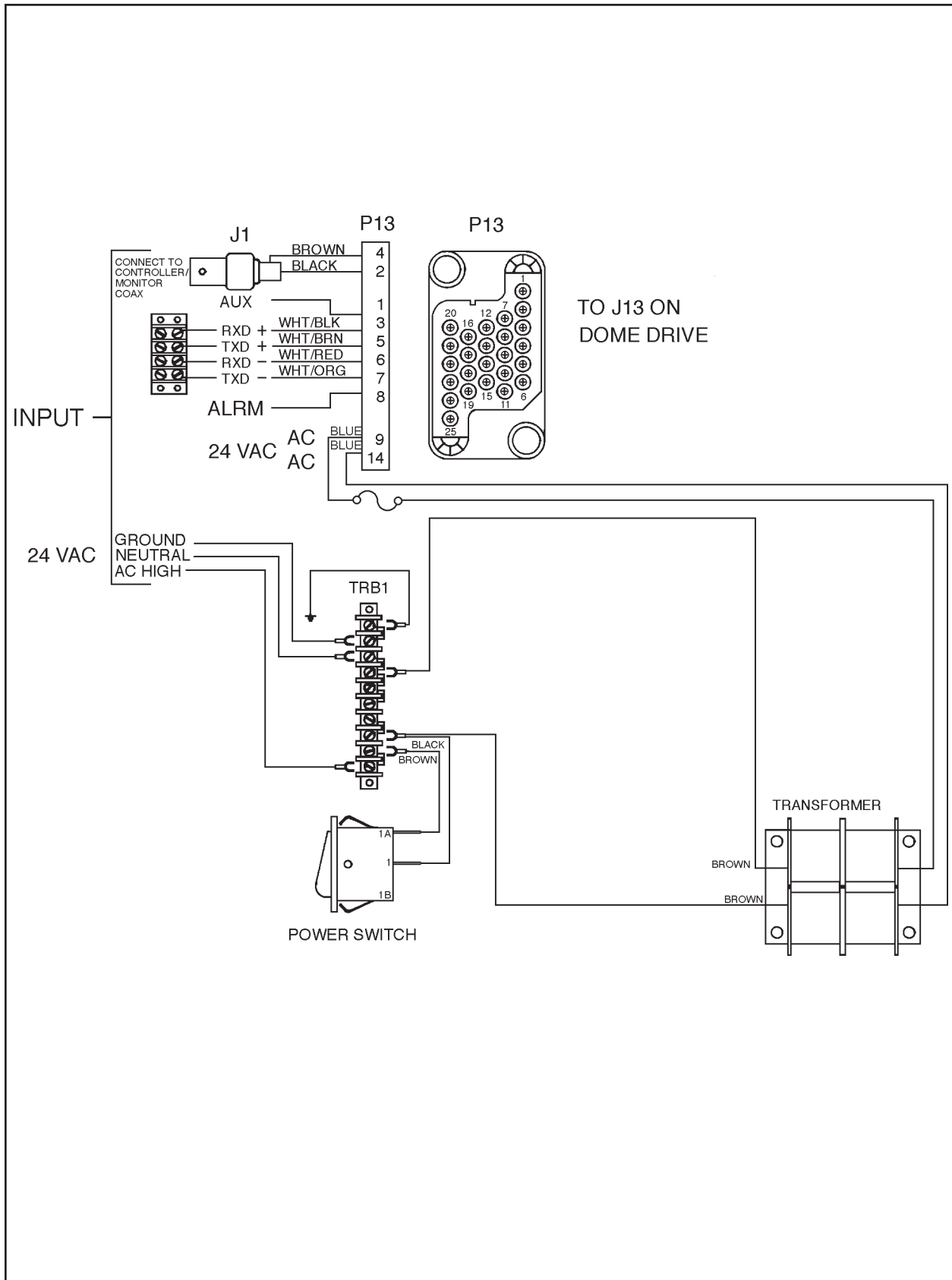


Figure 2. 24 VAC Back Box Wiring Diagram

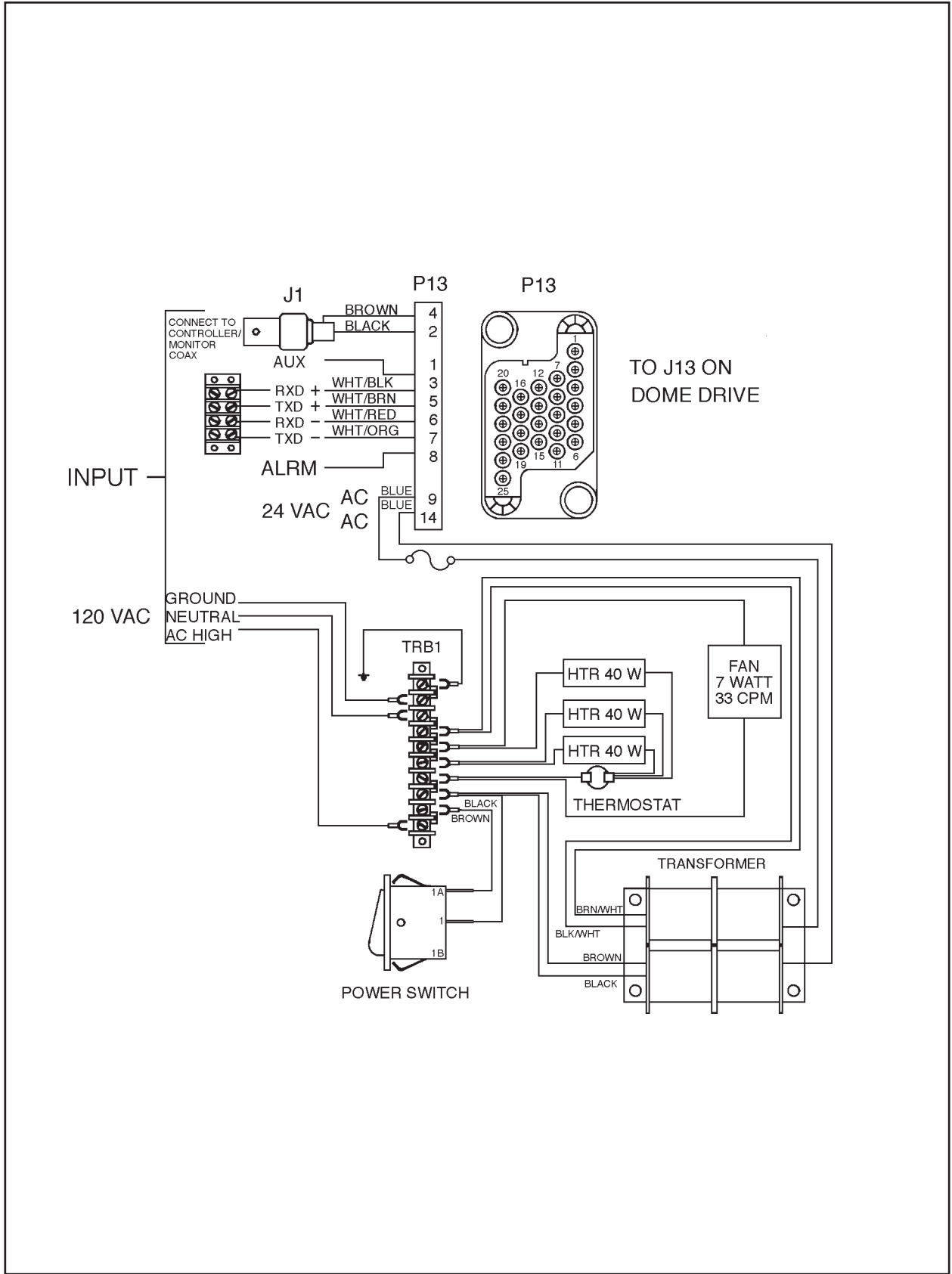


Figure 3. 120 VAC Back Box Wiring Diagram

- If you are **not** using Coaxitron® control, connect the control wiring to RXD+ and RXD-.

From controller	To 4-wire terminal inside back box
TXD+ TXD-	RXD+ RXD-

- Back box installation is now complete. Proceed with the installation of the dome drive unit. Refer to the manual provided with the dome drive for further installation instructions.

### 3.2 PENDANT

**NOTE:** *The length of pipe may cause noticeable motion on the video display. If this occurs, additional support of the pipe by bracing, guy wiring, etc. will be required.*

- Install the pendant dome mount. Refer to the instructions supplied with the mount.
- The back box is designed to be suspended from a suitable length of 1-1/2" NPT pipe threaded at both ends. For outdoor model, apply pipe thread sealant to the pipe before assembly. Install one end of the pipe into the mount. Tighten to approximately 30 ft/lb and tighten any locking means that may be provided on the mount.
- Bring the wiring for the back box through the mount.
  - Video - Refer to Table A for the type of video coaxial cable to use.
  - Power - If the input power to the dome is 24 VAC, refer to Table B to determine the size of wire to use. For the 120 VAC model, make sure the wiring can supply power for the heaters and fan as well as the receiver/driver. Refer to Section 5.0, SPECIFICATIONS, for power requirements.
  - Control - If you **are** using a Coaxitron® controller, the control signals to operate the dome drive will be transmitted over the video coax.  
  
If you **are not** using a Coaxitron® controller, bring wires to the back box for two RS-485 control lines (RX+ and RX-).
- Remove the parts bag inside the back box.
- Outdoor Model Only** - Place an O-ring onto the back box mounting pipe. Push the O-ring up about 4 inches (10 cm) or as far as it will go if the pipe is not 4 inches long.
- Outdoor Model Only** - Install the pendant cap on the pipe and place the top side of the cap against the O-ring. Place the second O-ring onto the pipe and push the O-ring against the bottom side of the pendant cap.
- Back out the lock screw on the mounting flange of the back box so that the back box can be screwed onto the mounting pipe.
- Indoor Model Only** - Place the pendant cap on top of the back box.
- Screw the back box onto the mounting pipe. Tighten the lock screw.
- Outdoor Model Only** - Push the pendant cap down against the top of the back box. Push the top O-ring against the top of the pendant cap.

Refer to Figure 3 for the following steps.

- Install the coaxial cable to the BNC connector.
- Install power to the 10-position terminal block. Make sure the power switch on the side of the back box is off.

13. If you are **not** using Coaxitron® control, connect the control wiring to RXD+ and RXD-.

From controller	To 4-wire terminal inside back box
TXD+ TXD-	RXD+ RXD-

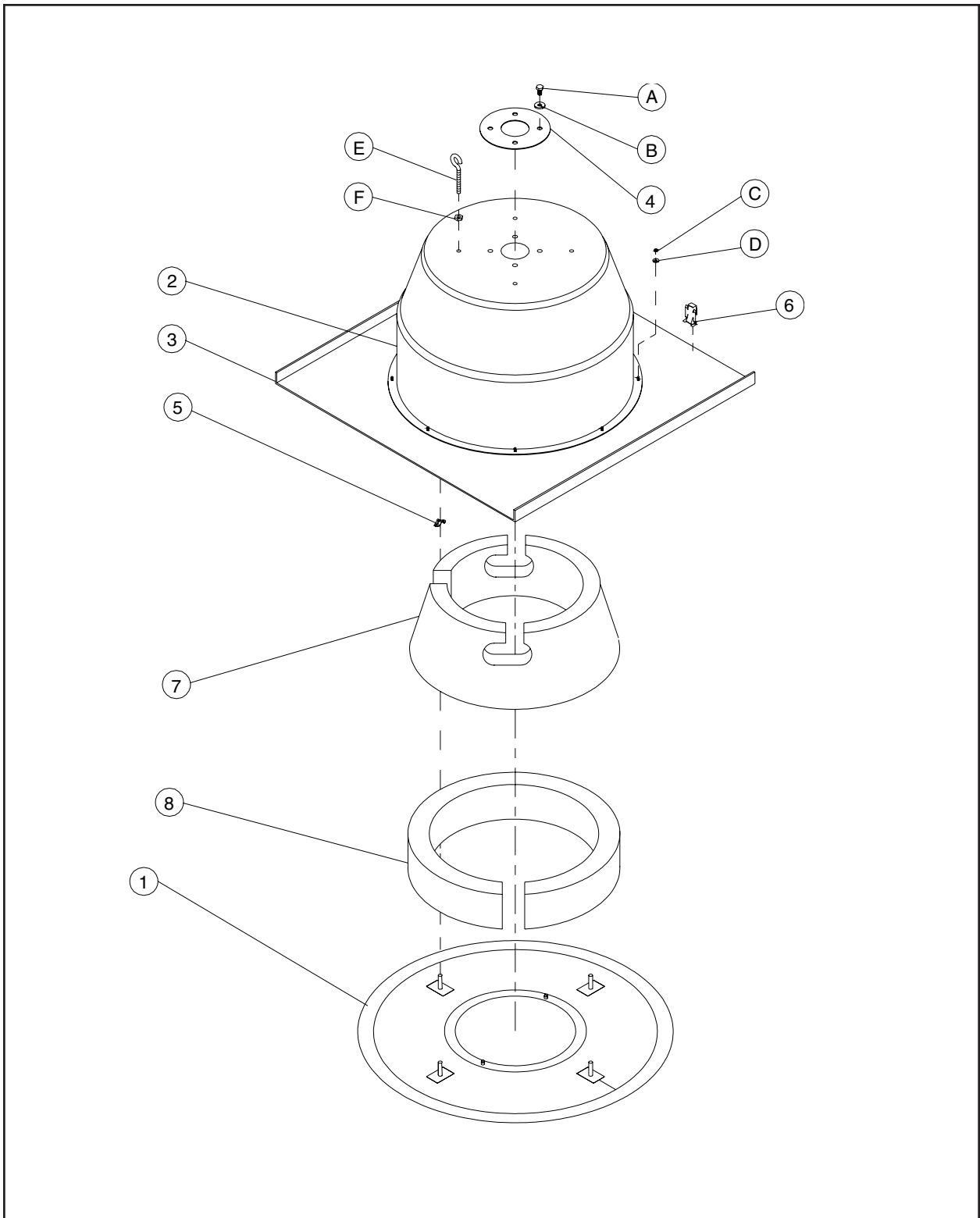
14. The bezel and dome assembly can be attached to the back box at this time, or it can be done after the dome drive is installed.

To install the dome drive, refer to the manual provided with the dome drive.

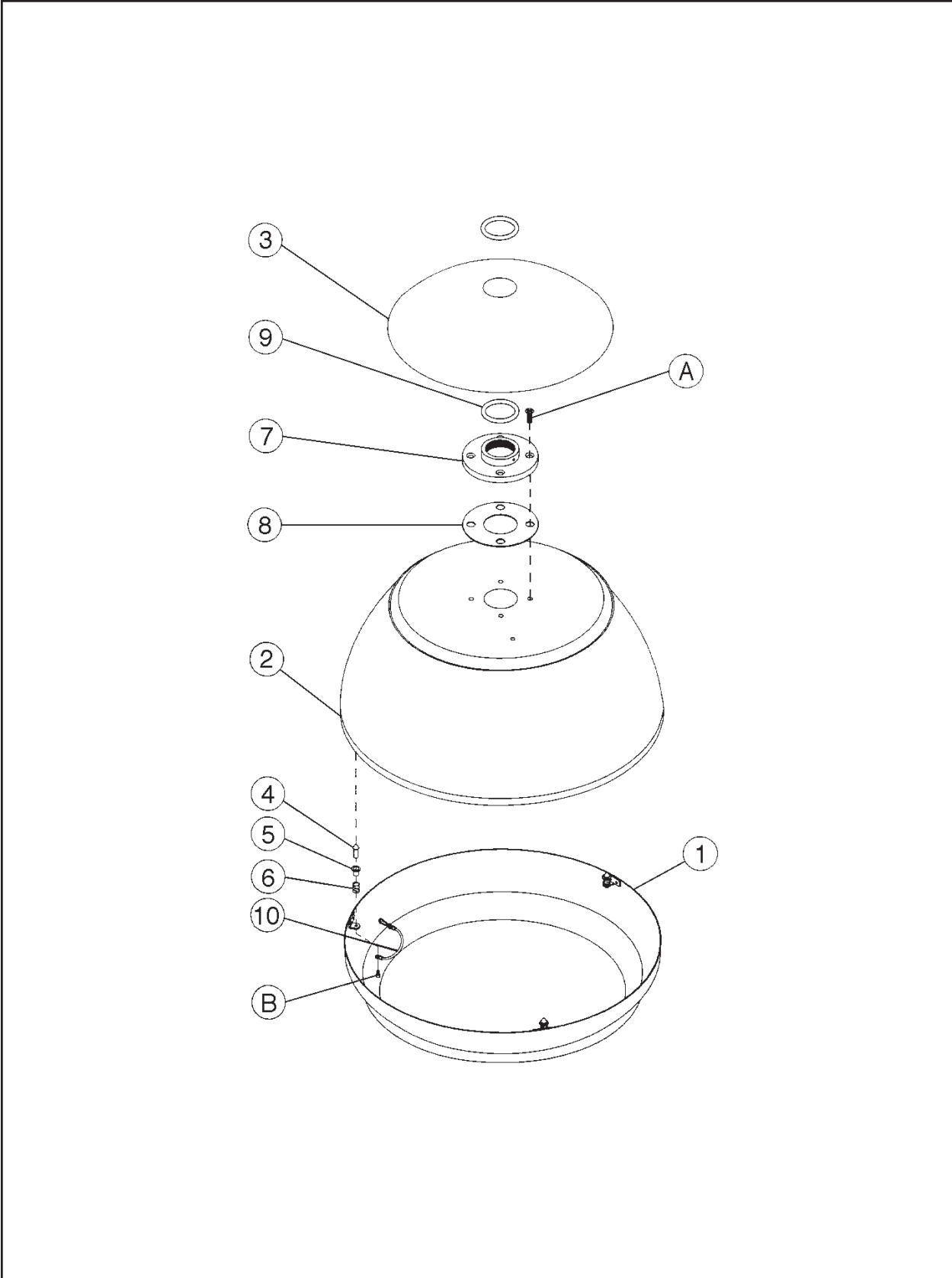
To attach the bezel and dome assembly to the back box, clip the safety cable inside the bezel to the bracket just below the power switch inside the back box. Let the bezel and dome assembly hang from the back box until the dome drive is installed.

15. The back box installation is now complete. Proceed with the installation of the dome drive unit. Refer to the manual provided with the dome drive for further installation instructions.

## 4.0 EXPLODED ASSEMBLY DIAGRAMS



**Figure 4.** BB08A120 Back Box Exploded Assembly Diagram



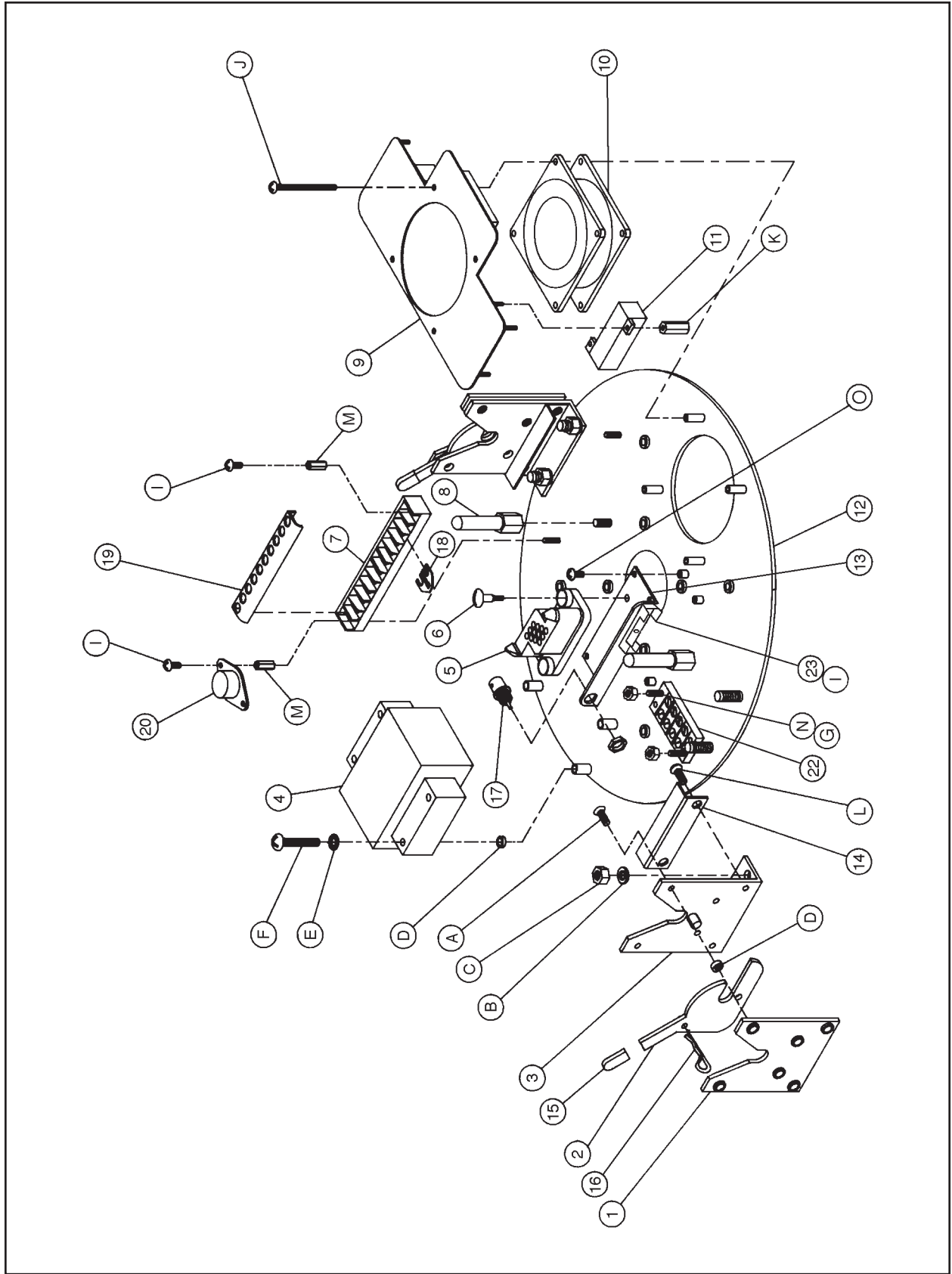
**Figure 5.** BB08E120 and BB08E211 Back Boxes Exploded Assembly Diagram

**Table C.** BB08A120 Back Box Exploded Assembly Parts List (Figure 4)

Item	Quantity	Description	Part Number
1	1	Trim ring, white	8082ASSY
	1	Dome seal (not shown)	80810007
	1	Fixed dome, smoked (not shown)	80810008-4
	1	Sound quieting ring (not shown)	8083001
2	1	Back box	8084297COMP
3	1	Face plate, drop ceiling, white	8084167COMP
4	1	Gland plate	8004130COMP
5	4	Ball stud receiver	90010030
6	4	T-rail retaining clip	80010008
7	1	Back box foam insert	8083000-1
8		Back box foam insert	8083000
	1	Rocker switch, On/Off (not shown)	SWI0201S11N41P
A	4	Screw, 1/4-20 x 3/8", pan head, Phillips	ZH1/420X.375SPP
B	4	Split lock washer, 1/4"	ZH1/4LWSSL
C	8	Nut, 6-32	ZH6-32NUTSH
D	8	Internal star washer, #6	ZH6LWSIS
E	2	Eye bolt, 1/4-20 x 2"	ZH1/4-20X2.0EYE
F	2	Nut, 1/4-20	ZH1/4-20NUTCH

**Table D.** BB08E120 and BB08E211 Back Boxes Exploded Assembly Parts List (Figure 5)

Item	Quantity	Description	Part Number
1	1	Black bezel assembly with smoked dome	SQP0810000ASSY
		Light gray bezel assembly with clear dome	SQP0810011ASSY
2	1	Back box, textured black	8084195BCOMP
		Back box, light gray	8084195GCOMP
3	1	Pendant cap, black	8084994COMP
		Pendant cap, light gray	8084894COMP
4	3	Pin, bezel attachment	8004053COMP
5	3	Nylon spacer, flanged	SPA3109
6	3	Compression spring	SPRG10000
7	1	Flange, 1-1/2" NPT	MRCA4000COMP
8	1	Gasket (BB08E211 only)	80010198
9	2	O-ring (BB08E211 only)	80010010
10	1	Safety cable	E7081002COMP
11	1	Rocker switch, On/Off (not shown)	SWI0201S11N41P
A	4	Screw 1/4-20 x 5/8" flat head, Phillips	ZH1/420X.625SFS
B	3	Allen screw 6-32 x 1/4"	ZH6-32X.250SS



**Figure 6.** Back Plate Exploded Assembly Diagram



**Table E. Back Plate Exploded Assembly Parts List**

Item	Quantity	Description	Part Number
1	2	Latch backup plate	8004244COMP
2	2	Latch	8004105COMP
3	2	Latch bracket	8004143COMP
4	1	Transformer (120 VAC model only)	TRF21243.30.70F
5	1	25-position connector plug	CON10P025Z41T
6	2	Screw, 6-32	ZH208211-4
7	1	10-position terminal block	TRB6TBV-10-OE
8	2	Alignment pin	8004402COMP
9	1	Heater/fan mounting bracket	8004118COMP
10	1	Fan, 120 VAC	EH4600115W3
11	3	Heater, 120 VAC	HTR50120
12	1	Back plate	8004190COMP
13	1	Connector mounting bracket	8004046COMP
14	2	Stabilizer bracket	8004047COMP
15	2	Boot	80010007
16	2	Hairpin clip	ZH1/4CLIPSS
17	1	Connector, BNC jack, insulated	CON01J002Z41S
18	6	2-position jumper	TRBJ6-2
19	1	10-position terminal block cover	TRBTC6-10-PFH
20	1	Thermostat (units with heaters and blower)	EH5510049A
22	1	4-position terminal block	TRB4-140
23	1	Fuse holder	FUS357001
	1	Fuse, 2A 3AG (not shown)	FUS2
	1	Capacitor, .47 $\mu$ F, 12 V (not shown)	CAPE474P012MAY
	1	Capacitor, 220 $\mu$ F, 100 V (not shown)	CAPF221P100JRN
	1	Capacitor, 270 $\mu$ F, 100 V (not shown)	CAPF271P100JRN
A	4	Screw, 10-32 x 1/2" flat head, Phillips	ZH10-32X.500CFS
B	4	Split lock washer, 1/4"	ZH1/4LWSSL
C	4	Nut, 1/4-20	ZH1/4-20NUTCH
D	10	Spacer .312 OD x 1/8" long, #10	SPA8540
E	2	Internal star washer, #10	ZH10LWSIS
F	2	Screw, 10-32 x 1" pan head, Phillips	ZH10-32X1.00SPP
G	2	Nut, 6-32	ZH6-32NUTSH
I	2	Screw, 6-32 x 3/8" pan head, Phillips	ZH6-32X.375SPP
J	4	Screw, 6-32 x 2" pan head, Phillips	ZH6-32X2.00SPS
K	6	Spacer, 3/16" hex by 3/4" long, 2-56 tapped	SPA9401L
L	4	Screw, 10-32 x 1/2" pan head, Phillips	ZH10-32X.500SPP
M	2	Spacer, 1/4" hex by 1/2" long, 6-32 tapped	SPA8423
N	2	Screw, 6-32 x 5/8" flat head, Phillips	ZH6-32X.625SFS
O	4	Screw, 6-32 x 1/2" pan head, Phillips	ZH6-32X.500SPP

---

---

## 5.0 SPECIFICATIONS

---

---

### **ELECTRICAL**

#### **Enclosure Back Box**

Input Voltage: 24 VAC or 120 VAC

#### **Power Requirements**

Receiver/Driver: 48 vA for 24 VAC and 120 VAC dome drives

#### Blower

(continuous duty): One (1) at 33 cfm, 6.7 watts, 120 VAC @ 60 Hz

#### Heaters

120 VAC: 135 watts total

Thermostatically controlled; activates ON at 40°F (4.4°C) and OFF at 60°F (15.56°C)

Power Cord: Not supplied; use 3-wire grounded, 18 Awg minimum for 120 VAC supply input

Power Cable: Not supplied; must conform to local and national electrical codes

### **GENERAL**

#### **Enclosure**

Environment: Indoor or outdoor (depending on model ordered)

Dimensions: See Figures 7 and 8

#### Construction

Back box: Aluminum  
Cap: Aluminum  
Bezel: Aluminum  
Trim Ring: ABS/aluminum

#### Finish

<u>Outdoor:</u>	BB08E211	Light gray
<u>Indoor:</u>	BB08A120	White (back box) and eggshell white (face plate, trim ring and bezel)
	BB08E120	Black

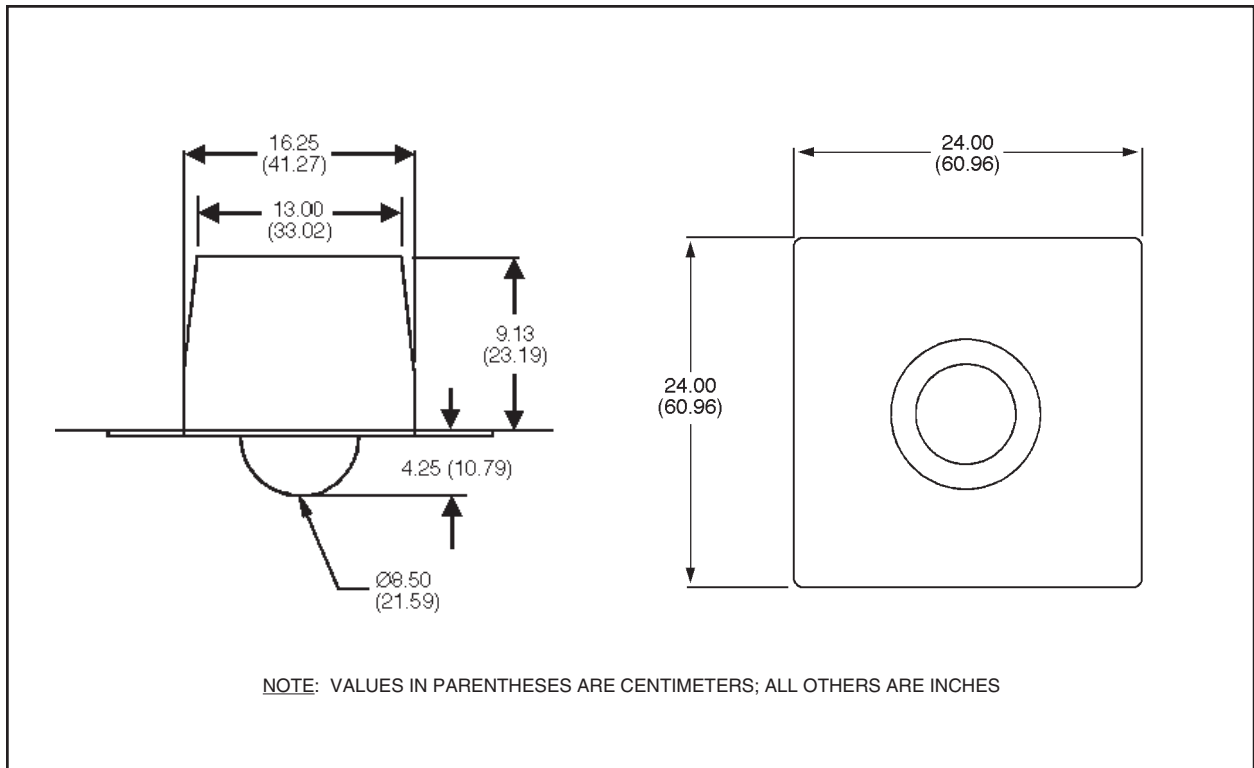
#### Temperature

Indoor Models: 32° to 120°F (0° to 48.89°C)  
Outdoor Models: -10° to 120°F (-23.33° to 48.89°C)

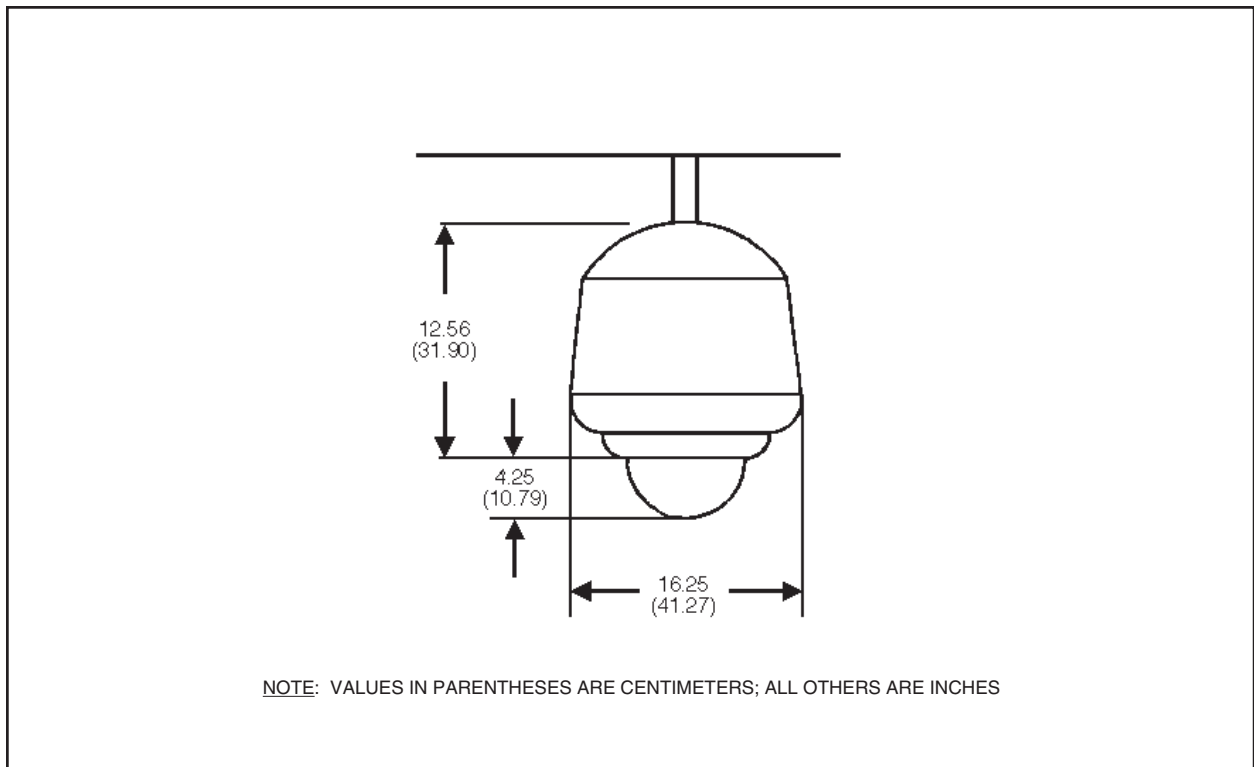
*(Design and product specifications subject to change without notice.)*



This equipment contains electrical or electronic components that must be recycled properly to comply with Directive 2002/96/EC of the European Union regarding the disposal of waste electrical and electronic equipment (WEEE). Contact your local dealer for procedures for recycling this equipment.



**Figure 7.** BB08A120 Dimension Drawings



**Figure 8.** BB08E120 and BB08E211 Dimension Drawing

---

---

## 6.0 WARRANTY AND RETURN INFORMATION

---

---

### WARRANTY

Pelco will repair or replace, without charge, any merchandise proved defective in material or workmanship for a period of one year after the date of shipment.

Exceptions to this warranty are as noted below:

- Five years on FT/FR8000 Series fiber optic products.
- Three years on Genex® Series products (multiplexers, server, and keyboard).
- Three years on Camclosure® and fixed camera models, except the CC3701H-2, CC3701H-2X, CC3751H-2, CC3651H-2X, MC3651H-2, and MC3651H-2X camera models, which have a five-year warranty.
- Two years on standard motorized or fixed focal length lenses.
- Two years on Legacy®, CM6700/CM6800/CM9700 Series matrix, and DF5/DF8 Series fixed dome products.
- Two years on Spectra®, Esprit®, ExSite™, and PS20 scanners, including when used in continuous motion applications.
- Two years on Esprit® and WW5700 Series window wiper (excluding wiper blades).
- Eighteen months on DX Series digital video recorders, NVR300 Series network video recorders, and Endura™ Series distributed network-based video products.
- One year (except video heads) on video cassette recorders (VCRs). Video heads will be covered for a period of six months.
- Six months on all pan and tilts, scanners or preset lenses used in continuous motion applications (that is, preset scan, tour and auto scan modes).

Pelco will warrant all replacement parts and repairs for 90 days from the date of Pelco shipment. All goods requiring warranty repair shall be sent freight prepaid to Pelco, Clovis, California. Repairs made necessary by reason of misuse, alteration, normal wear, or accident are not covered under this warranty.

Pelco assumes no risk and shall be subject to no liability for damages or loss resulting from the specific use or application made of the Products. Pelco's liability for any claim, whether based on breach of contract, negligence, infringement of any rights of any party or product liability, relating to the Products shall not exceed the price paid by the Dealer to Pelco for such Products. In no event will Pelco be liable for any special, incidental or consequential damages (including loss of use, loss of profit and claims of third parties) however caused, whether by the negligence of Pelco or otherwise.

The above warranty provides the Dealer with specific legal rights. The Dealer may also have additional rights, which are subject to variation from state to state.

If a warranty repair is required, the Dealer must contact Pelco at (800) 289-9100 or (559) 292-1981 to obtain a Repair Authorization number (RA), and provide the following information:

1. Model and serial number
2. Date of shipment, P.O. number, Sales Order number, or Pelco invoice number
3. Details of the defect or problem

If there is a dispute regarding the warranty of a product which does not fall under the warranty conditions stated above, please include a written explanation with the product when returned.

Method of return shipment shall be the same or equal to the method by which the item was received by Pelco.

### RETURNS

In order to expedite parts returned to the factory for repair or credit, please call the factory at (800) 289-9100 or (559) 292-1981 to obtain an authorization number (CA number if returned for credit, and RA number if returned for repair).

All merchandise returned for credit may be subject to a 20% restocking and refurbishing charge. Goods returned for repair or credit should be clearly identified with the assigned CA or RA number and freight should be prepaid. Ship to the appropriate address below.

If you are located within the continental U.S., Alaska, Hawaii or Puerto Rico, send goods to:

Service Department  
Pelco  
3500 Pelco Way  
Clovis, CA 93612-5699

If you are located outside the continental U.S., Alaska, Hawaii or Puerto Rico and are instructed to return goods to the USA, you may do one of the following:

If the goods are to be sent by a COURIER SERVICE, send the goods to:

Pelco  
3500 Pelco Way  
Clovis, CA 93612-5699 USA

If the goods are to be sent by a FREIGHT FORWARDER, send the goods to:

Pelco c/o Expeditors  
473 Eccles Avenue  
South San Francisco, CA 94080 USA  
Phone: 650-737-1700  
Fax: 650-737-0933

Pelco, the Pelco logo, Camclosure, Esprit, Genex, Legacy, and Spectra are registered trademarks of Pelco.  
Endura and ExSite are trademarks of Pelco.

© Copyright 1998, Pelco. All rights reserved.

## Free Manuals Download Website

<http://myh66.com>

<http://usermanuals.us>

<http://www.somanuals.com>

<http://www.4manuals.cc>

<http://www.manual-lib.com>

<http://www.404manual.com>

<http://www.luxmanual.com>

<http://aubethermostatmanual.com>

Golf course search by state

<http://golfingnear.com>

Email search by domain

<http://emailbydomain.com>

Auto manuals search

<http://auto.somanuals.com>

TV manuals search

<http://tv.somanuals.com>