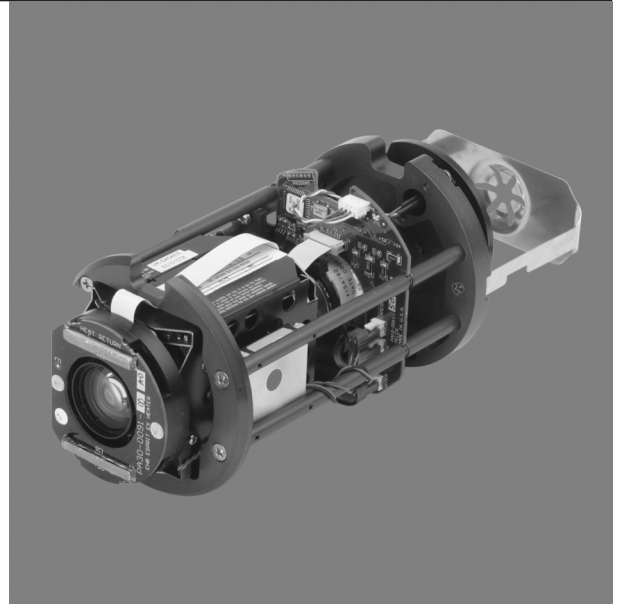




ExSite™ Series Explosionproof Camera Module









C1303M-B (5/05)

Important Safety Instructions

1. Read these instructions.
2. Keep these instructions.
3. Heed all warnings.
4. Follow all instructions.
5. Do not block any ventilation openings. Install in accordance with the manufacturer's instructions.
6. To reduce the risk of ignition of hazardous atmospheres, disconnect the equipment from the supply circuit before opening. Keep assembly tightly closed when in operation.
7. The maximum ambient temperature range is -76°F to 140°F (-60°C to 60°C).
8. Only use attachments/accessories specified by the manufacturer.
9. Use only with the cart, stand, tripod, bracket, or table specified by the manufacturer, or sold with the apparatus. When a cart is used, use caution when moving the cart/apparatus combination to avoid injury from tip-over.
10. Refer all servicing to qualified service personnel. Servicing is required when the apparatus has been damaged in any way, such as power-supply cord or plug is damaged, liquid has been spilled or objects have fallen into the apparatus, the apparatus has been exposed to rain or moisture, does not operate normally, or has been dropped.
11. Installation should be done only by qualified personnel and conform to all local codes.
12. Unless the unit is specifically marked as a NEMA Type 3, 3R, 3S, 4, 4X, 6, or 6P enclosure, it is designed for indoor use only and it must not be installed where exposed to rain and moisture.
13. Use only installation methods and materials capable of supporting four times the maximum specified load.
14. Use stainless steel hardware to fasten the mount to outdoor surfaces.
15. AN ALL-POLE MAINS SWITCH with a contact separation of at least 3 mm in each pole shall be incorporated in the electrical installation of the building.
16. A readily accessible disconnect device shall be incorporated in the building installation wiring.
17. CAUTION: These servicing instructions are for use by qualified service personnel only. To reduce the risk of electric shock do not perform any servicing other than that contained in the operating instructions unless you are qualified to do so.
18. Only use replacement parts recommended by Pelco.

The product and/or manual may bear the following marks:

-  This symbol indicates that dangerous voltage constituting a risk of electric shock is present within this unit.
-  This symbol indicates that there are important operating and maintenance instructions in the literature accompanying this unit.
-  **WARNING:** HAZARDOUS MOVING PARTS. KEEP FINGERS AND OTHER BODY PARTS AWAY.
-  **WARNING:** To reduce the risk of ignition of hazardous atmospheres, disconnect the equipment from the supply circuit before opening. Keep assembly tightly closed when operating.
-  **WARNING:** To reduce the risk of ignition of hazardous atmospheres, conduit runs must have a sealing fitting connected within 2 inches of the enclosure.
-  **TO REDUCE THE RISK OF IGNITION, DO NOT OPEN WHEN AN EXPLOSIVE GAS ATMOSPHERE MAY BE PRESENT.**

CAUTION:
RISK OF ELECTRIC SHOCK. DO NOT OPEN.

Getting Started

Thank you for purchasing Pelco's ExSite™ Series explosionproof integrated positioning system. This manual includes instructions for installing the camera module for the ExSite Series system. For complete system installation instructions, refer to the installation manual placed in the pan and tilt box.



WARNING: Do not connect the power module to a supply circuit unless all ExSite system components (pan and tilt, camera module, and power module) are installed.

Once the complete system is installed, refer to the operation/programming manual shipped with the camera module for instructions on how to operate and program your system.

Installation

To install the camera module do the following:

1. Refer to Figure 1. Loosen the set screw at the back of the enclosure with the provided 1.5 mm Allen wrench.

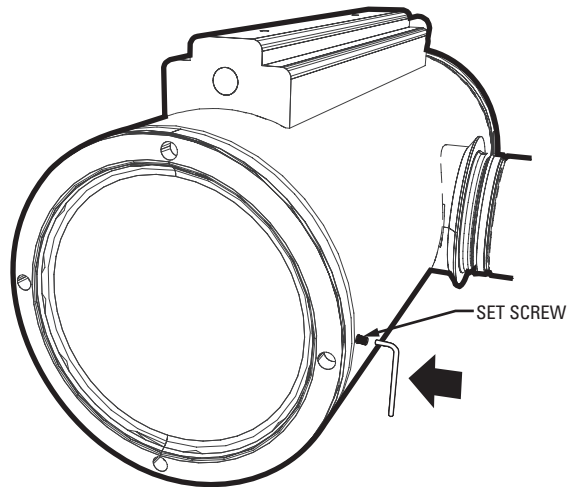


Figure 1. Loosen Setscrew

2. Use the supplied spanner wrench to loosen the back of the camera enclosure (refer to Figure 2). Once the back is loose, use your hands to continue to loosen it until it can be removed.

WARNING: To avoid thread damage, carefully remove the back of the enclosure. Never use force to remove the back of the camera enclosure.

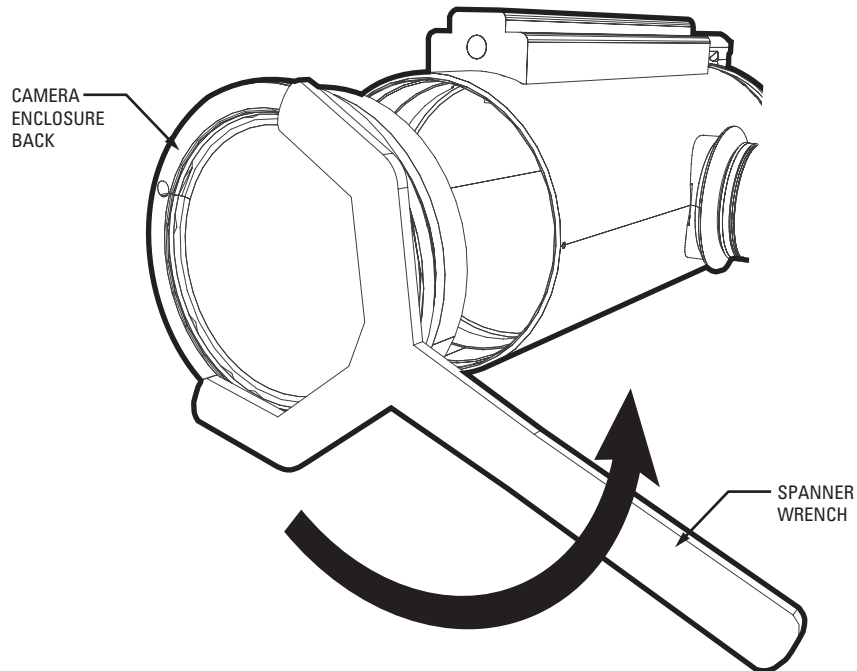


Figure 2. Remove Back Cap of Enclosure

- Slide the camera module into the enclosure. Refer to Figure 3 to position the camera module properly in the enclosure. Carefully mate the camera's power connector to the mating connector located inside the enclosure.

Only models with wipers: The tab located inside the enclosure must be pointing down before installing the camera module (refer to Figure 3). To position the tab, place the wiper located at the front of the enclosure in the center of the viewing window (refer to Figure 4).

WARNING: Do not force the camera module into the enclosure.

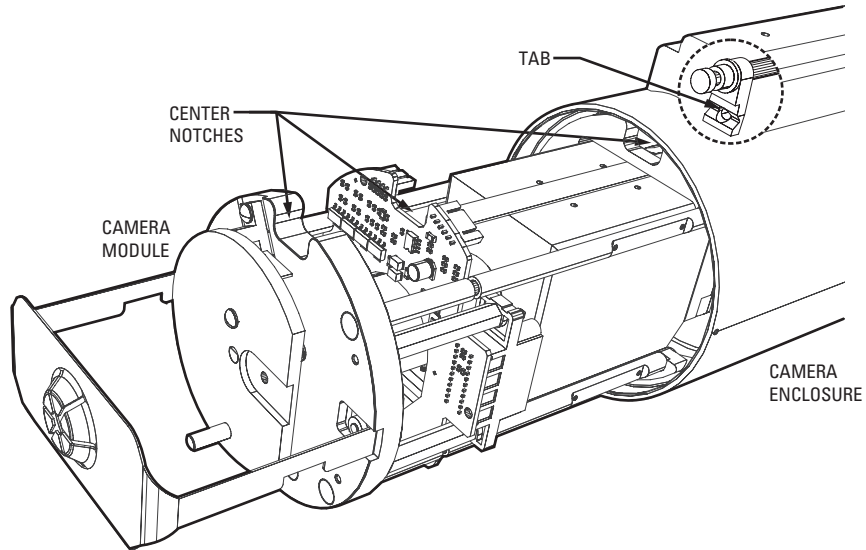


Figure 3. Install Camera Module

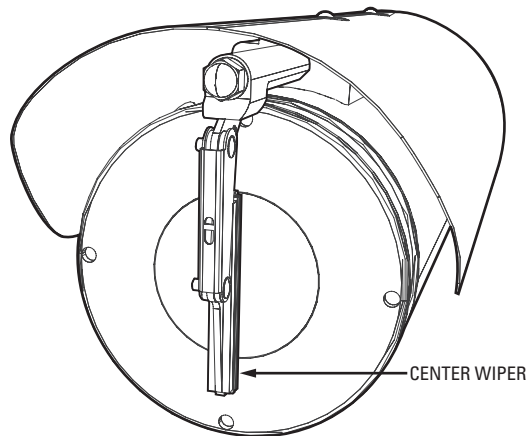


Figure 4. Center Wiper

4. Refer to Figure 5 and do the following to install the arm of the wiper:
 - a. Place the supplied green bushing on the stud located behind the handle of the camera module. The bushing should be in the same orientation as shown in Figure 5.
 - b. Install the wiper arm. Place the ridge of the arm in the notch of the enclosure tab and the slot of the arm over the green bushing.
5. Secure the arm of the wiper and the camera module with the supplied 8-32 Phillips flat head screw (refer to Figure 5).

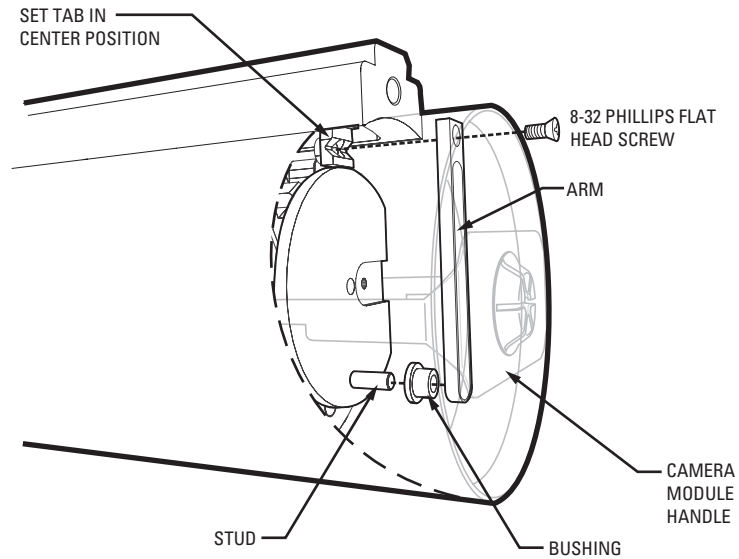


Figure 5. Install Wiper Arm



WARNINGS:

- To avoid thread damage, carefully install the back cap to the enclosure.
 - Never force the back cap onto the end of the enclosure.
 - When installation is completed, there should be no gap between the back cap and the enclosure.
6. Reinstall the back cap on the enclosure by doing the following:
 - a. Use your hands and turn the back cap clockwise until you can no longer turn it with your hands. The back cap should turn easily until it comes in contact with the O-ring. If it does not turn easily, the threads are not aligned and thread damage will occur.
 - b. Continue tightening the back cap with the supplied spanner wrench. There should be no gap between the back cap and the enclosure when the back cap is tightened and properly installed.
 - c. Once the back cap is installed, secure the back cap with the set screw using the supplied 1.5 mm Allen wrench.

Maintenance

CAMERA MODULE REPLACEMENT

The ExSite camera module can be replaced only with a camera module with the same model number. If a different camera model is installed in an existing system, the system will not function and a message to contact the Pelco factory will appear on the screen.

⚠ DANGER: To reduce the risk of ignition of hazardous atmospheres, disconnect the equipment from the power supply before opening. Keep assembly tightly closed when operating.

To replace the camera module do the following:

1. Remove the back cap of the camera enclosure. Refer to Figure 6 and do the following:
 - a. Loosen the set screw with a 1.5 mm Allen wrench.
 - b. Use the supplied spanner wrench to loosen the back cap of the camera enclosure. Once the back is loose, use your hands to continue to loosen it until it can be removed.

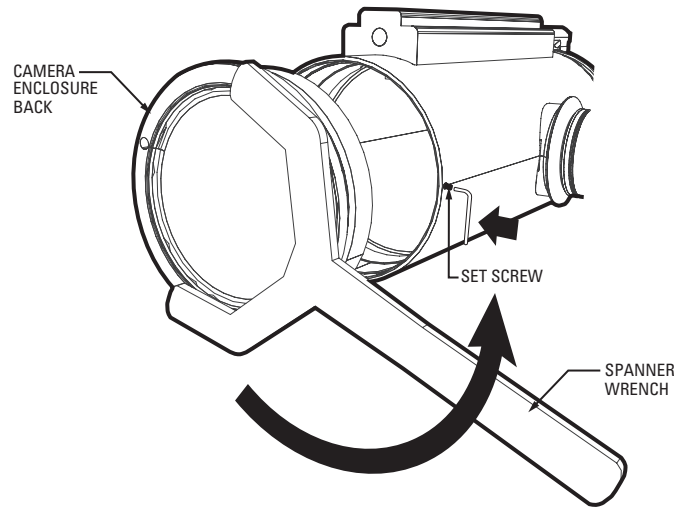


Figure 6. Remove Back Cap of Camera Enclosure

2. Remove the 8-32 Phillips flat head screw that secures the camera module inside the enclosure, refer to Figure 7.

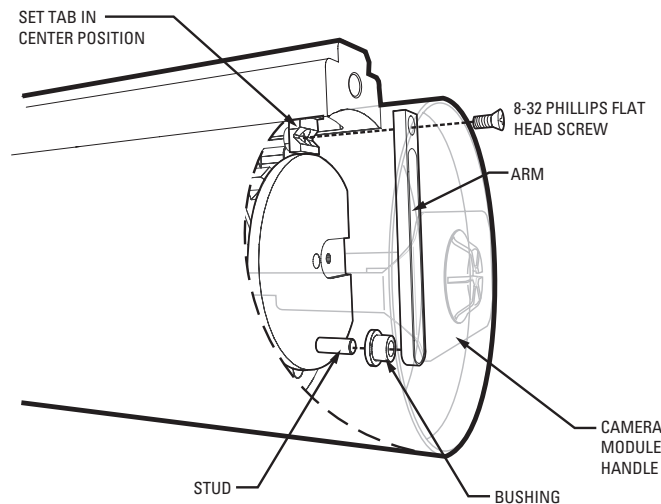


Figure 7. Remove or Install Camera Module

3. For models with wipers, also remove the wiper arm and the green bushing from the unit (see Figure 7).
4. Slide the camera module out of the enclosure.

⚠ WARNING: Never force the camera module into the enclosure.

5. Install the new camera module by doing the following:

Slide the camera module into the enclosure. Refer to Figure 8 to position the camera module properly in the enclosure. Carefully mate the camera's power connector to the mating connector located inside the enclosure.

Only models with wipers: The tab located inside the enclosure must be pointing down before installing the camera module (refer to Figure 8). To position the tab, place the wiper located at the front of the enclosure in the center of the viewing window (refer to Figure 9).

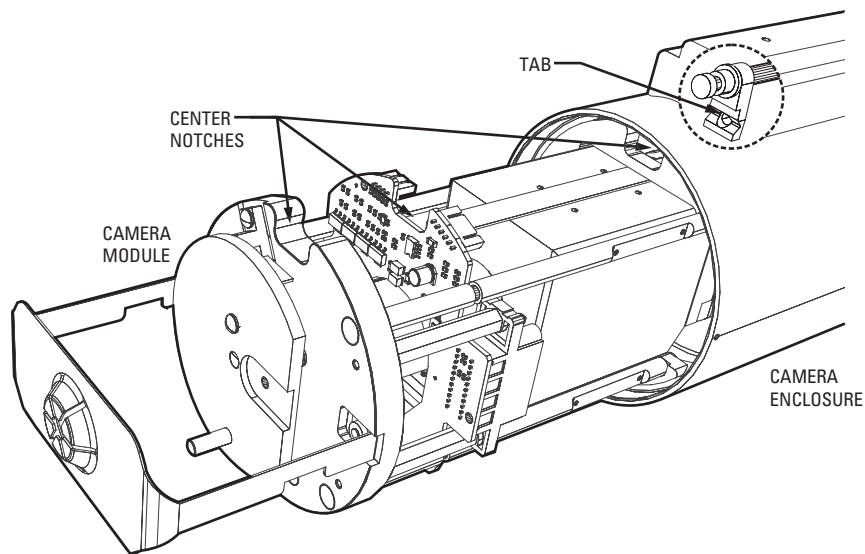


Figure 8. Install Camera Module

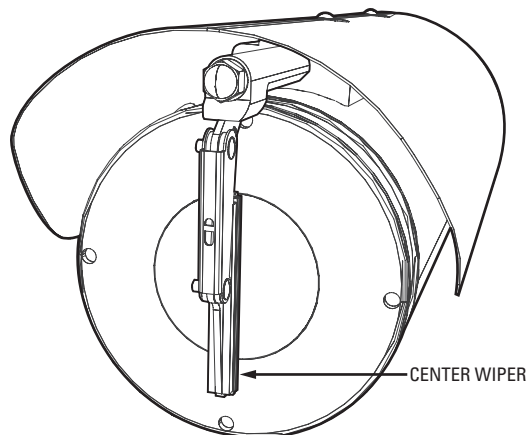


Figure 9. Center Wiper

6. Refer to Figure 7 and do the following to reinstall the arm of the wiper:
 - a. Reinstall the green bushing on the stud located behind the handle of the camera module.
 - b. Reinstall the wiper arm. Place the ridge of the arm in the notch of enclosure tab and the slot of the arm over the green bushing.
7. Secure the camera module and the wiper arm with the 8-32 Phillips flat head screw (refer to Figure 7).



WARNINGS:

- To avoid thread damage, carefully install the back cap to the enclosure.
 - Never force the back cap onto the end of the enclosure.
 - When installation is completed, there should be no gap between the back cap and the enclosure.
8. Reinstall the back cap on the enclosure by doing the following:
 - a. Use your hands and turn the back cap clockwise until you can no longer turn it with your hands. The back cap should turn easily until it comes in contact with the O-ring. If it does not turn easily, the threads are not aligned and thread damage will occur.
 - b. Continue tightening the back cap with the supplied spanner wrench. There should be no gap between the back cap and the enclosure when the back cap is tightened and properly installed.
 - c. Once the back cap is installed, secure the back cap with the set screw using a 1.5 mm Allen wrench.

Specifications

Camera	Day/Night (23X) Color	LowLight™ (22X) Color
Signal Format	NTSC, PAL	NTSC, PAL
Scanning System	2:1 interlace	2:1 Interlace
Image Sensor	1/4-inch CCD	1/4-inch EXview HAD™ CCD
Effective pixels NTSC PAL	724 (H) x 494 (V) 724 (H) x 582 (V)	768 (H) x 494 (V) 752 (H) x 582 (V)
Horizontal Resolution NTSC PAL	>470 TV lines >470 TV lines	>470 TV lines >460 TV lines
Lens	F1.6 (f = 3.6–82.8 mm optical)	F1.6 (f = 4–88 mm optical)
Zoom	23X optical, 10X digital	22X optical, 12X digital
Zoom Speed	2.9/4.2/5.8 seconds	2.4/3.9/6.3 seconds
Horizontal	54° at 3.6 mm wide zoom	47° at 4.0 mm wide zoom
Angle of view	2.5° at 82.8 mm telephoto zoom	2.2° at 88 mm telephoto zoom
Focus	Automatic with manual override	Automatic with manual override
Maximum Sensitivity at 35 IRE NTSC PAL	0.08 lux at 1/2 sec shutter (color) 0.3 lux at 1/60 sec shutter (B-W) 0.013 lux at 1/2 sec shutter (B-W) 0.08 lux at 1/1.5 sec shutter (color) 0.3 lux at 1/50 sec shutter (B-W) 0.013 lux at 1/1.5 sec shutter (B-W)	0.02 lux at 1/2 sec shutter 0.02 lux at 1/1.5 sec shutter
Sync System	Internal/AC line lock, phase adjustable via remote control, V-Sync*	Internal/AC line lock, phase adjustable via remote control, V-Sync*
White Balance	Automatic with manual override*	Automatic with manual override*
Shutter Speed NTSC PAL	Automatic (electronic iris)/Manual 1/2~1/30,000* 1/1.5~1/30,000*	Automatic (electronic iris)/Manual 1/2~1/30,000* 1/1.5~1/30,000*
Iris Control	Automatic Iris Control with manual override*	Automatic Iris Control with manual override*
Gain Control	Automatic/OFF*	Automatic/OFF*
Video Output	1 Vp-p, 75 ohms	1 Vp-p, 75 ohms
Video Signal to Noise	>50 dB	>50 dB

*Manual control of camera setup functions can be done with CM6700, CM6800, CM8500, CM9500, CM9740, CM9760, CM9770, CM9780, KBD200A, KBD300A, and MPT9500 controllers, but not with CM7500, MPT9000, or KBD9000 controllers.

REVISION HISTORY

Manual #	Date	Comments
C1303M	11/04	Original version.
C1303M-A	2/05	Added maintenance section for camera module replacement.
C1303M-B	5/05	Revised instructions for models with wipers.

Pelco and the Pelco logo are registered trademarks of Pelco.
ExSite and LowLight are trademarks of Pelco.
EXview HAD is a trademark of Sony Corporation.

©Copyright 2005, Pelco. All rights reserved.



Worldwide Headquarters
3500 Pelco Way
Clovis, California 93612 USA

USA & Canada
Tel: 800/289-9100
Fax: 800/289-9150

International
Tel: 1-559/292-1981
Fax: 1-559/348-1120

www.pelco.com

ISO9001

United States | Canada | United Kingdom | The Netherlands | Singapore | Spain | Scandinavia | France | Middle East

Free Manuals Download Website

<http://myh66.com>

<http://usermanuals.us>

<http://www.somanuals.com>

<http://www.4manuals.cc>

<http://www.manual-lib.com>

<http://www.404manual.com>

<http://www.luxmanual.com>

<http://aubethermostatmanual.com>

Golf course search by state

<http://golfingnear.com>

Email search by domain

<http://emailbydomain.com>

Auto manuals search

<http://auto.somanuals.com>

TV manuals search

<http://tv.somanuals.com>