



3500 Pelco Way,
Clovis, CA 93612-5699
USA

In North America & Canada:
Tel (800) 289-9100
FAX (800) 289-9150

International Customers:
Tel +1 (559) 292-1981
FAX +1 (559) 348-1120

www.pelco.com



WARNING: The PP300/301 should be securely mounted to the structure in accordance with applicable codes before installing pan/tilt, etc. The twelve fasteners to secure the PP300/PP301 to the rooftop/parapet wall (such as lag screws or concrete fasteners) are not supplied. Minimum 3/8-inch diameter fasteners are recommended; 1/4-inch minimum for corner wall bracket. Make certain the mounting surface is able to support the combined weight of the mount and camera/enclosure.

C249M-C (11/99) PP300/PP301 Parapet Corner Mount

IMPORTANT SAFEGUARDS AND WARNINGS

Prior to installation and use of this product, the following WARNINGS should be observed.

1. Installation and servicing should only be done by qualified service personnel and conform to all local codes.
2. Installation shall be done in accordance with all local and national electrical and mechanical codes utilizing only approved materials.
3. Use only installation methods and materials capable of supporting four times the maximum specified load.
4. Use stainless steel hardware to fasten the mount to outdoor surfaces.
5. To prevent damage from water leakage when installing a mount outdoors on a roof or wall, apply sealant around the bolt holes between the mount and mounting surface.

Please thoroughly familiarize yourself with the information in this manual prior to installation and operation.

DESCRIPTION

The PP300 and PP301 Parapet Corner Mounts are designed to eliminate the expense and hazards of installing and servicing equipment that is to be mounted on the corners of rooftops and parapets.

The PP300 mounts on top of rooftops and parapets. The PP301 mounts to the inside of parapets. Both mounts rotate 360 degrees in the horizontal plane, allowing equipment to be installed or serviced from the rooftop easily and safely.

When using the PP300 or PP301 with a ED27/ED2720 or ED28/ED2820 Series Dome, the addition of the PPI200 Vertical Indexer is required. This will allow vertical rotation of the dome to acquire the clearance needed to swing the boom of the mount over the roof, providing easy and safe installation and serviceability.

When using the PP300 and PP301 to install equipment such as pan/tilts, a PA2010 or PA2000 is required. In addition, a PM102A is required if mounting a PT175-24P Pan/Tilt.

INSTALLATION

The PP300/PP301 Parapet Corner Mount kit contains the following items:

Qty	Description
1	Strut pipe (ST1)
1	Corner parapet wall bracket
2	5/16-18 nuts
2	5/16-18 x 2-inch carriage bolts
2	5/16 split lock washers
4	1/4-20 nuts
4	1/4-inch split lock washers
4	1/4-20 x 5/8-inch bolt

Right and left sideplates to turret base:

Qty	Description
20	1/4-inch split lock washers
20	1/4-20 nuts

Installing the Mount

To install the PP300/PP301 Parapet Corner Mount, perform the following steps.

1. Attach right and left sideplates to turret base using 1/4-inch split lock washers and 1/4-20 nuts provided.

2. Place the corner mount on the parapet wall where desired. Mark the drill hole pattern through the eight mounting slots (refer to Figure 4 or 5).
3. Remove the corner mount and drill holes for the fasteners being used.
4. Replace corner mount to the location and attach securely to the parapet wall with eight adequate fasteners (3/8 minimum recommended, not supplied).
5. Attach the ST1 strut pipe to the corner mount using one of the provided 5/16-18 fasteners, lock washers and bolts (refer to Figure 2).
6. Attach corner wall bracket to opposite end of ST1; place at corner of parapet walls below corner mount (refer to Figures 1 and 2) and mark the drill hole pattern through the four mounting holes. If parapet is too shallow for strut, cut down the strut pipe to the desired length and attach to rooftop as shown in Figure 3. The fasteners used to anchor the strut corner plate to the roof top will also be used to attach the strut bracket.
7. Drill holes, insert fasteners, and attach securely to parapet.
8. After the PP300/PP301 corner mount is attached securely to the parapet, loosen the arm locking set screw (refer to Figure 2) and rotate the arm so the opposite end is over the roof.
9. Attach the PPI200 Vertical Indexer and dome or other equipment you are installing. Holes have been provided for wiring to run through the arm and arm spindle.
 - a. **ED27/ED2720, ED28/ED2820 Domes**
Install the PPI200 Vertical Indexer according to the instructions provided with the mount and install the dome upside down. After installed, rotate out away from parapet to desired location and lock into place by tightening the arm locking set screw. Remove PPI200 pin, rotate dome right side up and replace pin in PPI200 to lock the dome in place. Locking points are spaced 15 degrees apart.
 - b. **Other Equipment**
Rotate the equipment out away from the parapet to the desired location and lock into place by tightening the arm locking set screw.

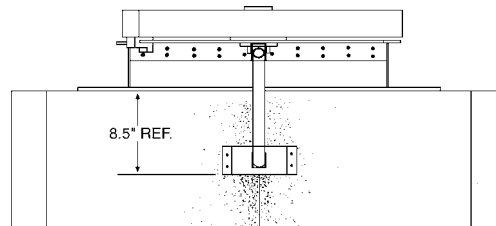


Figure 1. ST1 Strut Installation

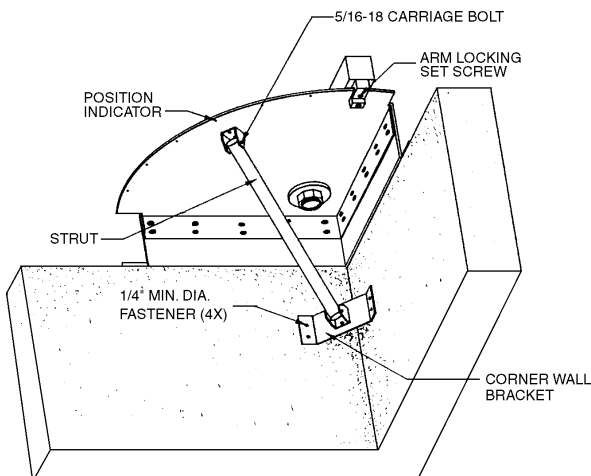


Figure 2. PP300/PP301 Installation—Bottom View

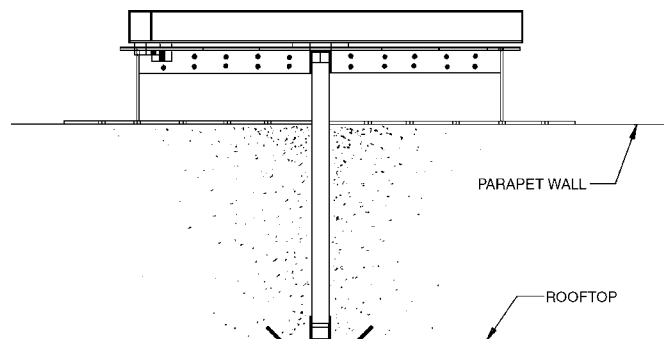


Figure 3. Installation of Modified Strut

Service Manual

To order replacement parts for your unit, obtain a service manual in one of the following ways:

- Go to Pelco's web site at <ftp://www.pelco.com> and find service manual C249SM.PDF.
- Contact Pelco's Literature Department and request service manual C249SM.

Related Products

PA2000	Mount adapter plate for medium-duty pan/tilts.
PA2010	Mount adapter plate for heavy-duty pan/tilts.
PM102A	Mount adapter plate for PT175-24P Pan/Tilt.
PPI200	Vertical indexer adapter. Must be used with PP300/PP301 mount to adapt ED27/ED2720 and ED28/ED2820 Series Domes.
PPI300	Indexing mount arm for parapet applications requiring 360 degrees of dome rotation. For use with ED27/ED2720 and ED28/ED2820 Series Domes.

SPECIFICATIONS

Lock Positions:	15 degree increments
Positioning Adjustment:	90 degrees
Suggested Mounting Method:	Secure to parapet or rooftop with twelve suitable fasteners (not supplied). (3/8-inch diameter suggested minimum for PP300/PP301 and 1/4-inch for strut plate)
Maximum Load:	175 lb (78.75 kg) approximate
Dimensions:	See Figures 4 and 5
Construction:	Aluminum
Finish:	Polyester powder coat
Unit Weight	29 lb 11 oz. (13.40 kg)

(Design and product specifications subject to change without notice.)

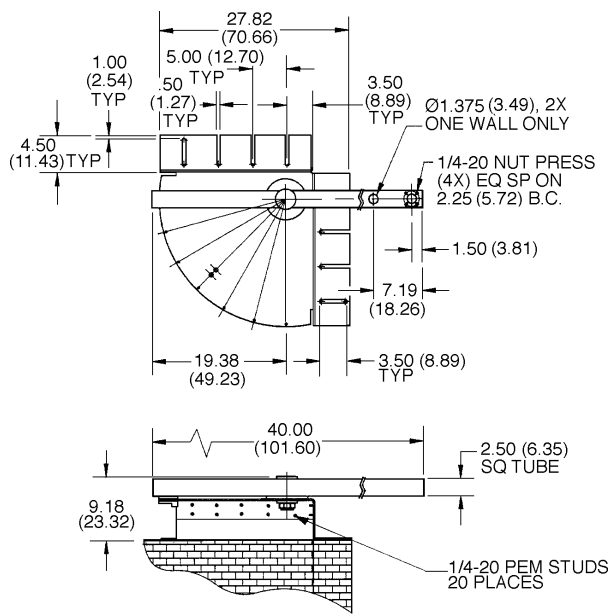


Figure 4. PP300 Dimension Diagram

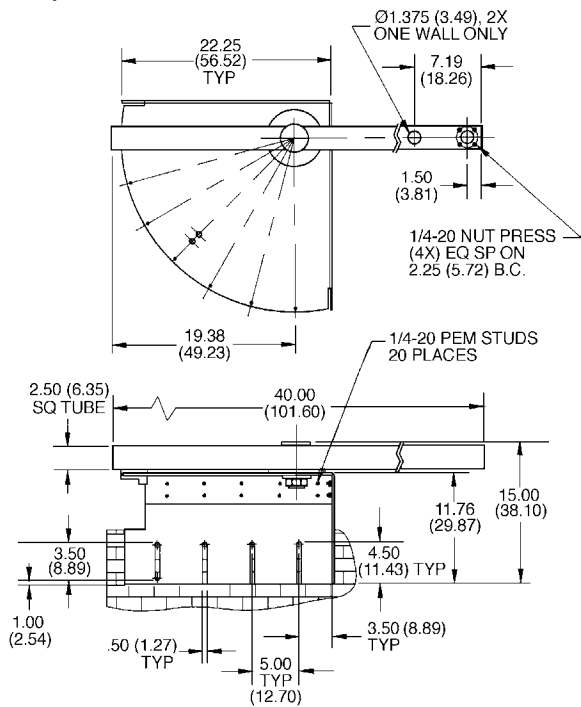


Figure 5. PP301 Dimension Diagram

WARRANTY AND RETURN INFORMATION

WARRANTY

Pelco will repair or replace, without charge, any merchandise proved defective in material or workmanship for a period of one year after the date of shipment.

Exceptions to this warranty are as noted below:

- Five years on FT/FR8000 Series fiber optic products.
- Three years on Genex® Series products (multiplexers, server, and keyboard).
- Three years on Camclosure® and fixed camera models, except the CC3701H-2, CC3701H-2X, CC3751H-2, CC3651H-2X, MC3651H-2, and MC3651H-2X camera models, which have a five-year warranty.
- Two years on standard motorized or fixed focal length lenses.
- Two years on Legacy®, CM6700/CM6800/CM9700 Series matrix, and DF5/DF8 Series fixed dome products.
- Two years on Spectra®, Esprit®, ExSite™, and PS20 scanners, including when used in continuous motion applications.
- Two years on Esprit® and WW5700 Series window wiper (excluding wiper blades).
- Eighteen months on DX Series digital video recorders, NVR300 Series network video recorders, and Endura™ Series distributed network-based video products, months on DX Series digital video recorders, NVR300 Series network video recorders, Endura™ Series distributed network-based video products, and TW3000 Series twisted-pair transmission products.
- One year (except video heads) on video cassette recorders (VCRs). Video heads will be covered for a period of six months.
- Six months on all pan and tilts, scanners or preset lenses used in continuous motion applications (that is, preset scan, tour and auto scan modes).

Pelco will warrant all replacement parts and repairs for 90 days from the date of Pelco shipment. All goods requiring warranty repair shall be sent freight prepaid to Pelco, Clovis, California. Repairs made necessary by reason of misuse, alteration, normal wear, or accident are not covered under this warranty.

Pelco assumes no risk and shall be subject to no liability for damages or loss resulting from the specific use or application made of the Products. Pelco's liability for any claim, whether based on breach of contract, negligence, infringement of any rights of any party or product liability, relating to the Products shall not exceed the price paid by the Dealer to Pelco for such Products. In no event will Pelco be liable for any special, incidental or consequential damages (including loss of use, loss of profit and claims of third parties) however caused, whether by the negligence of Pelco or otherwise.

The above warranty provides the Dealer with specific legal rights. The Dealer may also have additional rights, which are subject to variation from state to state.

If a warranty repair is required, the Dealer must contact Pelco at (800) 289-9100 or (559) 292-1981 to obtain a Repair Authorization number (RA), and provide the following information:

1. Model and serial number
2. Date of shipment, P.O. number, Sales Order number, or Pelco invoice number
3. Details of the defect or problem

If there is a dispute regarding the warranty of a product which does not fall under the warranty conditions stated above, please include a written explanation with the product when returned.

Method of return shipment shall be the same or equal to the method by which the item was received by Pelco.

RETURNS

In order to expedite parts returned to the factory for repair or credit, please call the factory at (800) 289-9100 or (559) 292-1981 to obtain an authorization number (CA number if returned for credit, and RA number if returned for repair).

All merchandise returned for credit may be subject to a 20% restocking and refurbishing charge.

Goods returned for repair or credit should be clearly identified with the assigned CA or RA number and freight should be prepaid. Ship to the appropriate address below.

If you are located within the continental U.S., Alaska, Hawaii or Puerto Rico, send goods to:

Service Department
Pelco
3500 Pelco Way
Clovis, CA 93612-5699

If you are located outside the continental U.S., Alaska, Hawaii or Puerto Rico and are instructed to return goods to the USA, you may do one of the following:

If the goods are to be sent by a COURIER SERVICE, send the goods to:

Pelco
3500 Pelco Way
Clovis, CA 93612-5699 USA

If the goods are to be sent by a FREIGHT FORWARDER, send the goods to:

Pelco c/o Expeditors
473 Eccles Avenue
South San Francisco, CA 94080 USA
Phone: 650-737-1700
Fax: 650-737-0933

REVISION HISTORY

Manual #	Date	Comments
C249M	6/90	Original version.
C249M	7/91	Rev. A. Sections 4.0 and 4.1 revised. Sections 5.0 thru 5.2 and Figures 6 and 7 added.
C249M-B	7/95	Rev. B. Sections 3.0 and 3.2 revised to include ED27/ED2720 and PPI300. Section 5.1, step 9, revised to include ED27/ED2720. References to ED25/ED2520/ED2620 and UMED25 removed.
C249M-C	11/99	Rev. C. Moved exploded assembly diagrams and parts lists to new maintenance/service manual (C249SM). Updated manual to new format.

Free Manuals Download Website

<http://myh66.com>

<http://usermanuals.us>

<http://www.somanuals.com>

<http://www.4manuals.cc>

<http://www.manual-lib.com>

<http://www.404manual.com>

<http://www.luxmanual.com>

<http://aubethermostatmanual.com>

Golf course search by state

<http://golfingnear.com>

Email search by domain

<http://emailbydomain.com>

Auto manuals search

<http://auto.somanuals.com>

TV manuals search

<http://tv.somanuals.com>