



3500 Pelco Way
Clovis, CA 93612-5699
USA

In North America & Canada:
Tel (800) 289-9100
FAX (800) 289-9150

International Customers:
Tel (1-559) 292-1981
FAX (1-559) 348-1120

www.pelco.com

NOTE: Installation of the rack mount, with monitor installed, into the rack or console may require two people.

C1956M-A (10/03) RMA14S Rack Mount Kit

WARNINGS

Observe the following warnings before installing and using this product.

1. Installation and servicing should be done by qualified service and installation personnel only.
2. Installation should be done according to all local and national electrical and mechanical codes, using only approved materials.
3. Use only installation methods and materials capable of supporting four times the maximum weight of the monitor and rack mount.

Please thoroughly familiarize yourself with the information in this manual prior to installation.

DESCRIPTION

The RMA14S Rack Mount Kit holds a single Sony SSM14N1U Monitor. The rack mount will fit any standard 19-inch (48.26 cm) wide console or rack configuration and will securely hold the monitor in place in a console to a maximum of a 30-degree slant.

INSTALLATION

To install the rack mount kit and monitor:

1. Assemble the rack mount kit's sides and bottom as shown in Figure 1 using the supplied screws. While assembling, install the screws loosely until these components are attached and then finish by tightening all the screws.
2. Install the top cross brace on the top of the rack mount with six of the screws provided. Just start the screws but do not tighten.
3. While pushing up firmly on the bottom of the top cross brace, tighten the screws. (If you do not push upward to take out the slack, the monitor will not fit.)

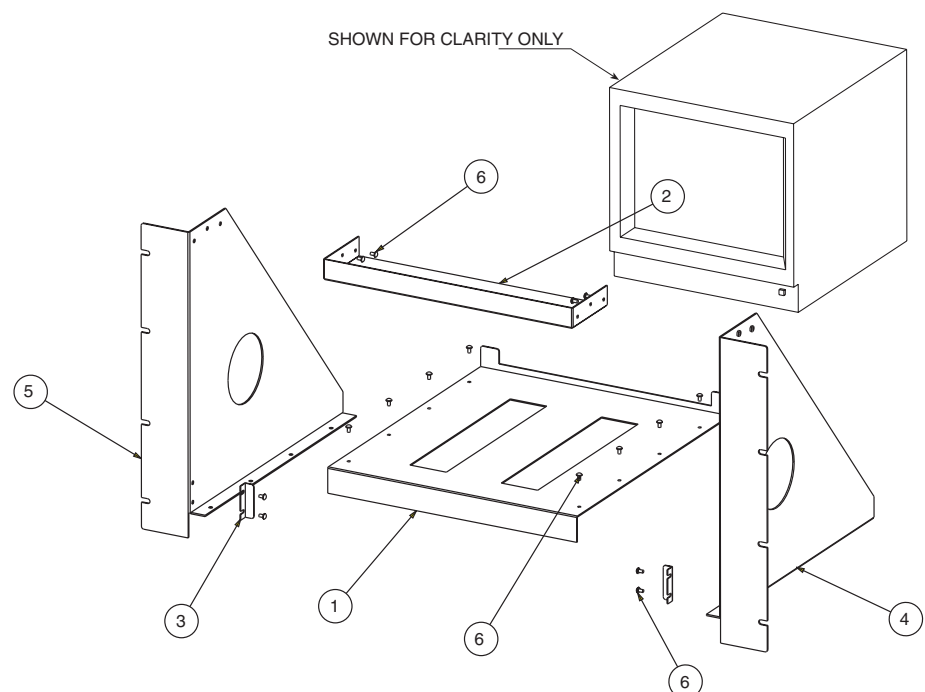


Figure 1. RMA14S Rack Mount Kit Assembly

4. Hold the assembled rack mount in the rack or console, align the mounting holes of the rack mount with the mounting holes in the rack or console, and insert and tighten the required fasteners (not supplied).
5. Slide the monitor into the front of the rack mount as far as it will go.
6. If using in an overhead or slanted application, install the bracket retainers (item 3) as shown in Figure 1.

SPECIFICATIONS

Construction:	Steel
Finish:	Black polyester powder coat
Dimensions	
Inside:	13.33" H x 13.64" W x 15.29" D (33.86 x 36.65 x 38.84 cm)
Outside:	15.72" H x 18.90" W x 15.29" D (39.93 x 48.01 x 38.84 cm)
Weight:	12.45 lb (5.65 kg)
Shipping Wt:	15 lb (6.80 kg)

Table A. RMA14S Rack Mount Kit Parts List

Item	Qty	Description	Part Number
1	1	Base	MF00-1010-015
2	1	Top cross brace	MF00-1010-016
3	2	Bracket retainer	MF03-1010-019
4	1	Right side	MF03-1011-017
5	1	Left side	MF03-1011-018
6	18	Screw, 6-32 x 1/4"	ZH6-32X.250BPP

PRODUCT WARRANTY AND RETURN INFORMATION

WARRANTY

Pelco will repair or replace, without charge, any merchandise proved defective in material or workmanship **for a period of one year** after the date of shipment.

Exceptions to this warranty are as noted below:

- Five years on FT/FR8000 Series fiber optic products.
- Three years on Genex[®] Series products (multiplexers, server, and keyboard).
- Three years on Camclosure[®] and fixed camera models, except the CC3701H-2, CC3701H-2X, CC3751H-2, CC3651H-2X, MC3651H-2, and MC3651H-2X camera models, which have a five-year warranty.
- Two years on standard motorized or fixed focal length lenses.
- Two years on Legacy[®], CM6700/CM6800/CM9700 Series matrix, and DF5/DF8 Series fixed dome products.
- Two years on Spectra[®], Esprit[®], ExSite[™], and PS20 scanners, including when used in continuous motion applications.
- Two years on Esprit[®] and WW5700 Series window wiper (excluding wiper blades).
- Eighteen months on DX Series digital video recorders, NVR300 Series network video recorders, and Endura[™] Series distributed network-based video products.
- One year (except video heads) on video cassette recorders (VCRs). Video heads will be covered for a period of six months.
- Six months on all pan and tilts, scanners or preset lenses used in continuous motion applications (that is, preset scan, tour and auto scan modes).

Pelco will warrant all replacement parts and repairs for 90 days from the date of Pelco shipment. All goods requiring warranty repair shall be sent freight prepaid to Pelco, Clovis, California. Repairs made necessary by reason of misuse, alteration, normal wear, or accident are not covered under this warranty.

Pelco assumes no risk and shall be subject to no liability for damages or loss resulting from the specific use or application made of the Products. Pelco's liability for any claim, whether based on breach of contract, negligence, infringement of any rights of any party or product liability, relating to the Products shall not exceed the price paid by the Dealer to Pelco for such Products. In no event will Pelco be liable for any special, incidental or consequential damages (including loss of use, loss of profit and claims of third parties) however caused, whether by the negligence of Pelco or otherwise.

The above warranty provides the Dealer with specific legal rights. The Dealer may also have additional rights, which are subject to variation from state to state.

If a warranty repair is required, the Dealer must contact Pelco at (800) 289-9100 or (559) 292-1981 to obtain a Repair Authorization number (RA), and provide the following information:

1. Model and serial number
2. Date of shipment, P.O. number, Sales Order number, or Pelco invoice number
3. Details of the defect or problem

If there is a dispute regarding the warranty of a product which does not fall under the warranty conditions stated above, please include a written explanation with the product when returned.

Method of return shipment shall be the same or equal to the method by which the item was received by Pelco.

RETURNS

In order to expedite parts returned to the factory for repair or credit, please call the factory at (800) 289-9100 or (559) 292-1981 to obtain an authorization number (CA number if returned for credit, and RA number if returned for repair).

All merchandise returned for credit may be subject to a 20% restocking and refurbishing charge.

Goods returned for repair or credit should be clearly identified with the assigned CA or RA number and freight should be prepaid. Ship to the appropriate address below.

If you are located within the continental U.S., Alaska, Hawaii or Puerto Rico, send goods to:

Service Department
Pelco
3500 Pelco Way
Clovis, CA 93612-5699

If you are located outside the continental U.S., Alaska, Hawaii or Puerto Rico and are instructed to return goods to the USA, you may do one of the following:

If the goods are to be sent by a COURIER SERVICE, send the goods to:

Pelco
3500 Pelco Way
Clovis, CA 93612-5699 USA

If the goods are to be sent by a FREIGHT FORWARDER, send the goods to:

Pelco c/o Expeditors
473 Eccles Avenue
South San Francisco, CA 94080 USA
Phone: 650-737-1700
Fax: 650-737-0933

REVISION HISTORY

Manual #	Date	Comments
C1956M	2/99	Original version.
C1956M-A	10/03	Revised installation instructions, step 6.

Pelco, the Pelco logo, Camclosure, Esprit, Genex, Legacy, and Spectra are registered trademarks of Pelco. Endura and ExSite are trademarks of Pelco.

©Copyright 2003, Pelco.
All rights reserved.

Free Manuals Download Website

<http://myh66.com>

<http://usermanuals.us>

<http://www.somanuals.com>

<http://www.4manuals.cc>

<http://www.manual-lib.com>

<http://www.404manual.com>

<http://www.luxmanual.com>

<http://aubethermostatmanual.com>

Golf course search by state

<http://golfingnear.com>

Email search by domain

<http://emailbydomain.com>

Auto manuals search

<http://auto.somanuals.com>

TV manuals search

<http://tv.somanuals.com>