



**SS4718/SS4718L/SS4722/SS4722L
Sun Shroud and
TI47 Thermal Insulation**

Installation/Operation Manual

C1409M-C (7/98)

1.0 WARNINGS

Prior to installation and use of this product, the following WARNINGS should be observed.

1. Installation and servicing should only be done by qualified service personnel and conform to all local codes.
2. Only use replacement parts recommended by Pelco.

Please thoroughly familiarize yourself with the information in this manual prior to installation and operation.

2.0 DESCRIPTION

The information contained within this manual covers the SS4718, SS4722, SS4718L, SS4722L Sun Shrouds and the TI47 Thermal Insulation Kit installation.

The SS4718, SS4722, SS4718L, and SS4722L Sun Shrouds provide an air space between the sun shroud and the enclosure to protect the enclosure from the direct rays of the sun and reduce the internal temperature by approximately 10 to 15°F (-12.2° to -9.4°C).

The TI47 Thermal Insulation Kit provides an improved resistance to heat loss through the body of the enclosure by adding a 1/4-inch thick polyurethane insulation to the majority of the internal surfaces.

3.0 INSTALLATION

3.1 SS4718/SS4722/ SS4718L/SS4722L SUN SHROUDS

The sun shroud is supplied with two (2) threaded spacers and two (2) Phillips head screws.

To install the sun shroud, perform the following steps (refer to Figure 1).

1. Unlatch and raise enclosure lid.
2. Remove the two (2) screws, nylon washers, nuts and lock washers from the lid of the enclosure.
3. Attach the threaded spacers to the under side of the sun shroud with the two (2) screws and nylon washers previously removed, threading them through the top of the sun shroud.
4. Align the spacers in the sun shroud with the holes in the enclosure lid. Attach the sun shroud to the enclosure lid with the remaining lock washers and screws. Tighten screws securely.

The TI47 thermal insulation sheets are designed to be used with both 18-inch (45.72 cm) and 22-inch (55.88 cm) EH4700 Series enclosures. If insulation is required for an 18-inch enclosure, the insulation must be cut along the factory-marked perforation. For 22-inch installations, no trimming is necessary. To install the thermal insulation, perform the following steps:

3.2 TI47 THERMAL INSULATION

NOTE: *The camera mounting sled must be removed for proper installation of the thermal insulation, therefore, it should be done prior to the enclosure installation.*

3.2.1 Lid Insulation Installation

1. Unlatch the enclosure lid and raise.
2. Pop the gas spring off of the lid at the ball-joint connection. Make sure the lid is supported and not allowed to lay completely open - doing so will damage the lid hinge.
3. Remove the adhesive backing from the "lid" insulation pad (see Figure 2).
4. Position the insulation around the sun shroud fasteners on the inside of the lid. It may help to hold the insulation in a folder manner while positioning. Remove the necessary punch-out holes in the insulation to accommodate the fasteners.

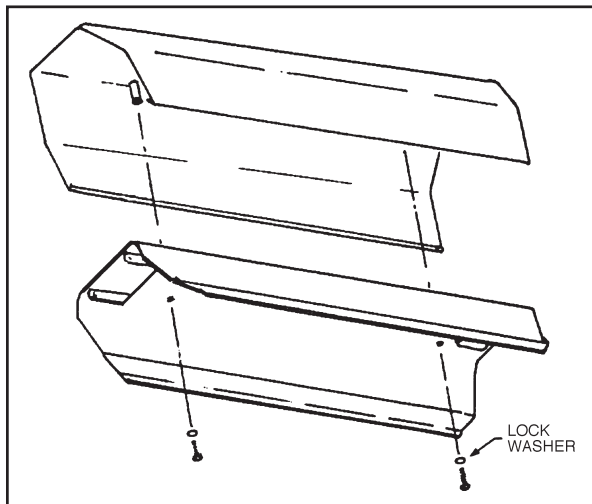


Figure 1. Sun Shroud Installation

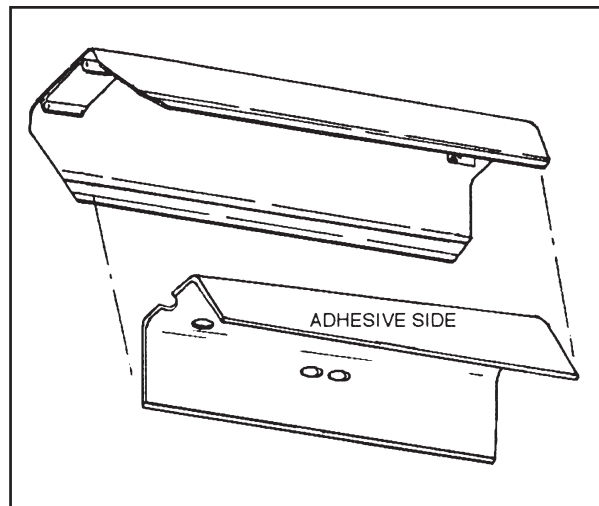


Figure 2. Lid Insulation Installation

3.2.2 Body Insulation Installation

1. Remove the long, 1.5-inch wide, strip of insulation for the side panel from the lid insulation pad.
2. To adjust the length of the insulation pad (or the side panel), tear the insulation along the perforations from the end(s) of the pad to fit either the 18-inch version or the Legacy® version of the enclosure.
3. Position the pad around the press nuts in the center of the body by folding the pad along its length. Position the insulation punch-out(s) to closely match the position of the press nuts.
4. Remove the adhesive backing, and carefully lay the insulation in the body of the enclosure, pressing firmly, taking care not to crease the insulation.
5. Then apply the side strip to the side of the enclosure body that does not contain the "T-slot". (See Figure 3.)
6. The insulation is very soft and will conform as needed during the installation of the camera and lens.
7. Snap the gas spring ball joint to the lid, and close the enclosure.

3.2.3 Temperature Specifications

Standard EH4700/EH4700L enclosure operating temperature: -10° to 120°F (-23° to 48.8°C).

Temperature increase inside enclosure with heater operating:

17°F (9.5°C) increase with vent grills installed.

25°F (13.8°C) increase with vent covers and T147 thermal insulation installed.

35°F (19.4°C) increase with vent covers, T147 thermal insulation and WD47 defroster installed.

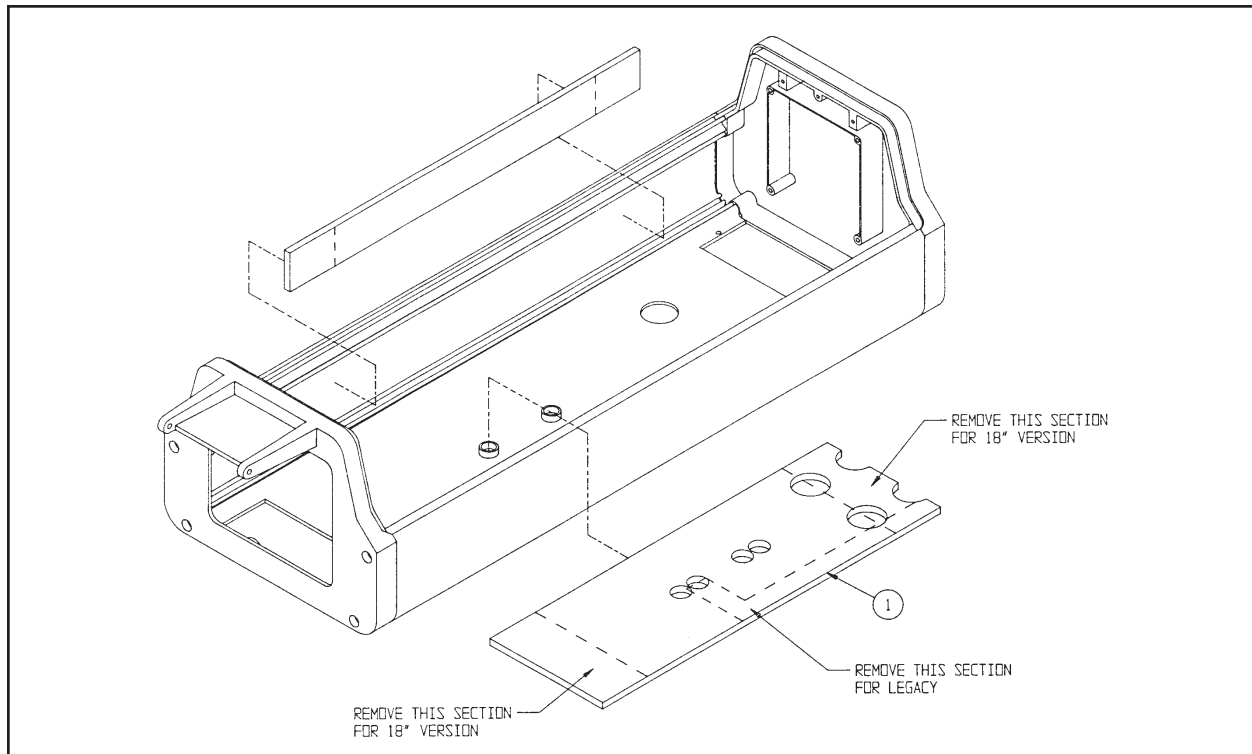


Figure 3. Installation of T147 Thermal Insulation

4.0 WARRANTY AND RETURN INFORMATION

WARRANTY

Pelco will repair or replace, without charge, any merchandise proved defective in material or workmanship for a period of one year after the date of shipment.

Exceptions to this warranty are as noted below:

- Five years on FT/FR8000 Series fiber optic products.
- Three years on Genex® Series products (multiplexers, server, and keyboard).
- Three years on Camclosure® and fixed camera models, except the CC3701H-2, CC3701H-2X, CC3751H-2, CC3651H-2X, MC3651H-2, and MC3651H-2X camera models, which have a five-year warranty.
- Two years on standard motorized or fixed focal length lenses.
- Two years on Legacy®, CM6700/CM6800/CM9700 Series matrix, and DF5/DF8 Series fixed dome products.
- Two years on Spectra®, Esprit®, ExSite™, and PS20 scanners, including when used in continuous motion applications.
- Two years on Esprit® and WW5700 Series window wiper (excluding wiper blades).
- Eighteen months on DX Series digital video recorders, NVR300 Series network video recorders, and Endura™ Series distributed network-based video products.
- One year (except video heads) on video cassette recorders (VCRs). Video heads will be covered for a period of six months.
- Six months on all pan and tilts, scanners or preset lenses used in continuous motion applications (that is, preset scan, tour and auto scan modes).

Pelco will warrant all replacement parts and repairs for 90 days from the date of Pelco shipment. All goods requiring warranty repair shall be sent freight prepaid to Pelco, Clovis, California. Repairs made necessary by reason of misuse, alteration, normal wear, or accident are not covered under this warranty.

Pelco assumes no risk and shall be subject to no liability for damages or loss resulting from the specific use or application made of the Products. Pelco's liability for any claim, whether based on breach of contract, negligence, infringement of any rights of any party or product liability, relating to the Products shall not exceed the price paid by the Dealer to Pelco for such Products. In no event will Pelco be liable for any special, incidental or consequential damages (including loss of use, loss of profit and claims of third parties) however caused, whether by the negligence of Pelco or otherwise.

The above warranty provides the Dealer with specific legal rights. The Dealer may also have additional rights, which are subject to variation from state to state.

If a warranty repair is required, the Dealer must contact Pelco at (800) 289-9100 or (559) 292-1981 to obtain a Repair Authorization number (RA), and provide the following information:

1. Model and serial number
2. Date of shipment, P.O. number, Sales Order number, or Pelco invoice number
3. Details of the defect or problem

If there is a dispute regarding the warranty of a product which does not fall under the warranty conditions stated above, please include a written explanation with the product when returned.

Method of return shipment shall be the same or equal to the method by which the item was received by Pelco.

RETURNS

In order to expedite parts returned to the factory for repair or credit, please call the factory at (800) 289-9100 or (559) 292-1981 to obtain an authorization number (CA number if returned for credit, and RA number if returned for repair).

All merchandise returned for credit may be subject to a 20% restocking and refurbishing charge.

Goods returned for repair or credit should be clearly identified with the assigned CA or RA number and freight should be prepaid. Ship to the appropriate address below.

If you are located within the continental U.S., Alaska, Hawaii or Puerto Rico, send goods to:

Service Department
Pelco
3500 Pelco Way
Clovis, CA 93612-5699

If you are located outside the continental U.S., Alaska, Hawaii or Puerto Rico and are instructed to return goods to the USA, you may do one of the following:

If the goods are to be sent by a COURIER SERVICE, send the goods to:

Pelco
3500 Pelco Way
Clovis, CA 93612-5699 USA

If the goods are to be sent by a FREIGHT FORWARDER, send the goods to:

Pelco c/o Expeditors
473 Eccles Avenue
South San Francisco, CA 94080 USA
Phone: 650-737-1700
Fax: 650-737-0933

Pelco, the Pelco logo, Camclosure, Esprit, Genex, Legacy, and Spectra are registered trademarks of Pelco.

Endura and ExSite are trademarks of Pelco.

© Copyright 1998, Pelco. All rights reserved.

Free Manuals Download Website

<http://myh66.com>

<http://usermanuals.us>

<http://www.somanuals.com>

<http://www.4manuals.cc>

<http://www.manual-lib.com>

<http://www.404manual.com>

<http://www.luxmanual.com>

<http://aubethermostatmanual.com>

Golf course search by state

<http://golfingnear.com>

Email search by domain

<http://emailbydomain.com>

Auto manuals search

<http://auto.somanuals.com>

TV manuals search

<http://tv.somanuals.com>