



EPS5000-300 External Redundant Power Supply



For Endura Modules

C1631M-A (9/05)

Contents

Regulatory Notices	5
Before You Begin	6
Parts List	6
Package Contents	6
Description	8
Front View	8
Back View	8
Installation	9
Mounting an EPS5000-300	9
Attaching Rails to an EPS5000-300	10
Service	12
Replacing a Power Supply	12
Specifications	13

List of Illustrations

1 Package Components	7
2 Support Rail Kit	7
3 EPS5000-300 Front View	8
4 EPS5000-300 Back View	8
5 Mounting an EPS5000-300 into a Rack	9
6 Inserting Cage Nuts	9
7 Attaching Rails	10
8 Connecting to an RK5000PS-5U	11
9 Power Supply Replacement	12

Regulatory Notices

This device complies with Part 15 of the FCC Rules. Operation is subject to the following two conditions: (1) this device may not cause harmful interference, and (2) this device must accept any interference received, including interference that may cause undesired operation.

RADIO AND TELEVISION INTERFERENCE

This equipment has been tested and found to comply with the limits of a Class A digital device, pursuant to Part 15 of the FCC Rules. These limits are designed to provide reasonable protection against harmful interference when the equipment is operated in a commercial environment. This equipment generates, uses, and can radiate radio frequency energy and, if not installed and used in accordance with the instruction manual, may cause harmful interference to radio communications. Operation of this equipment in a residential area is likely to cause harmful interference in which case the user will be required to correct the interference at his own expense.

Changes and Modifications not expressly approved by the manufacturer or registrant of this equipment can void your authority to operate this equipment under Federal Communications Commission's rules.

This Class A digital apparatus complies with Canadian ICES-003.

Cet appareil numérique de la classe A est conforme à la norme NMB-003 du Canada.

Before You Begin

Please familiarize yourself with the parts list before installing the unit.

PARTS LIST

Qty	Description
1	EPS5000-300
2	USA standard power cord
2	European standard power cord
2	UK standard power cord
2	Over-molded G-power cables
4	Screws with washers, 10-32 x 0.750-inch, Phillips, pan head
1	Rail Kit
2	Rails
2	Brackets
2	Plates
4	Screws, 6-32 x 0.375-inch, Phillips, pan head
4	Screws, 10-32 x 0.750-inch, Phillips, pan head with washers
8	Screws, 8-32 x 0.625-inch, Phillips, pan head with washers
8	Cage nuts, 10-32
1	EPS5000-300 Installation manual

PACKAGE CONTENTS

The following diagrams show the contents of the box. When installing the EPS5000-300, refer to these diagrams.

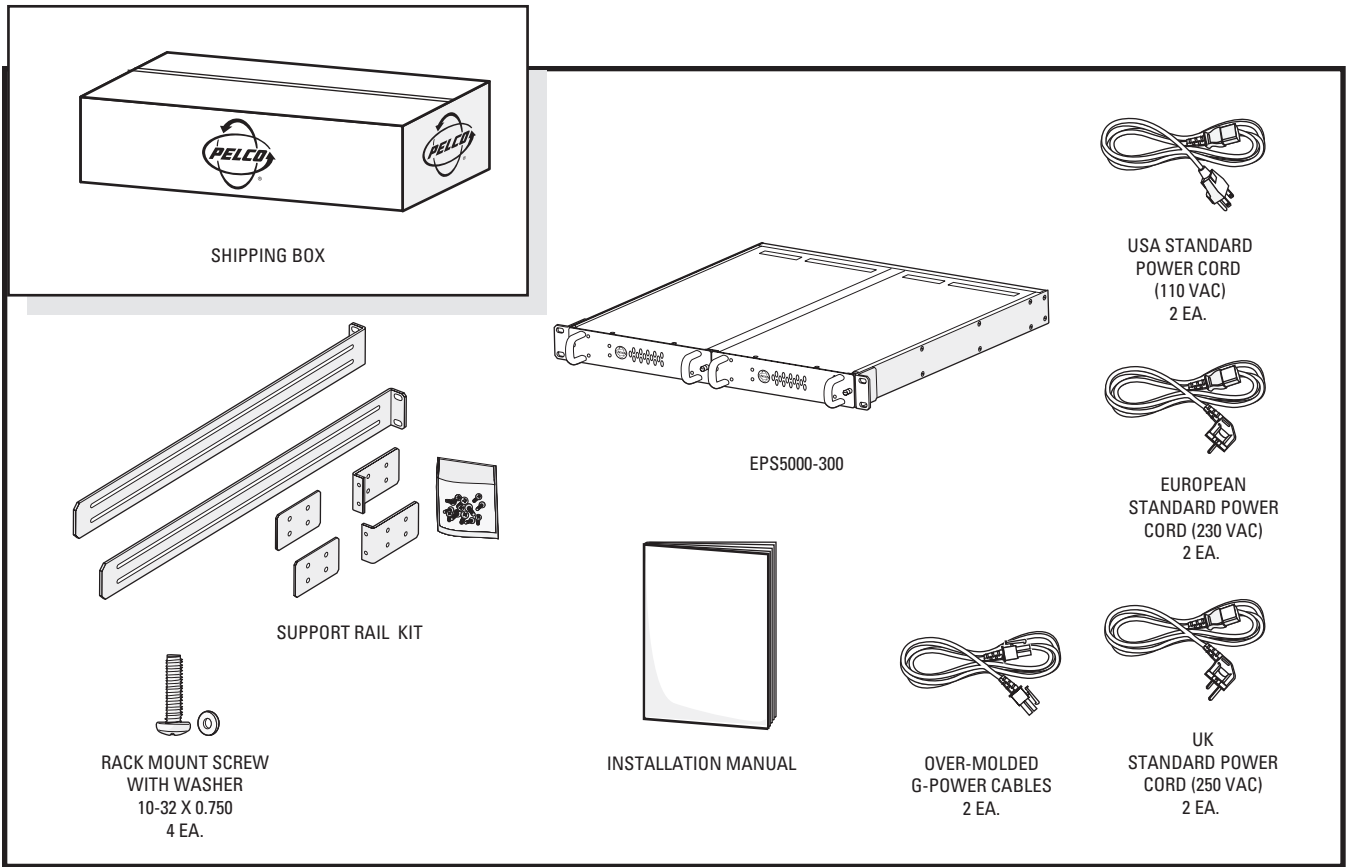


Figure 1. Package Components

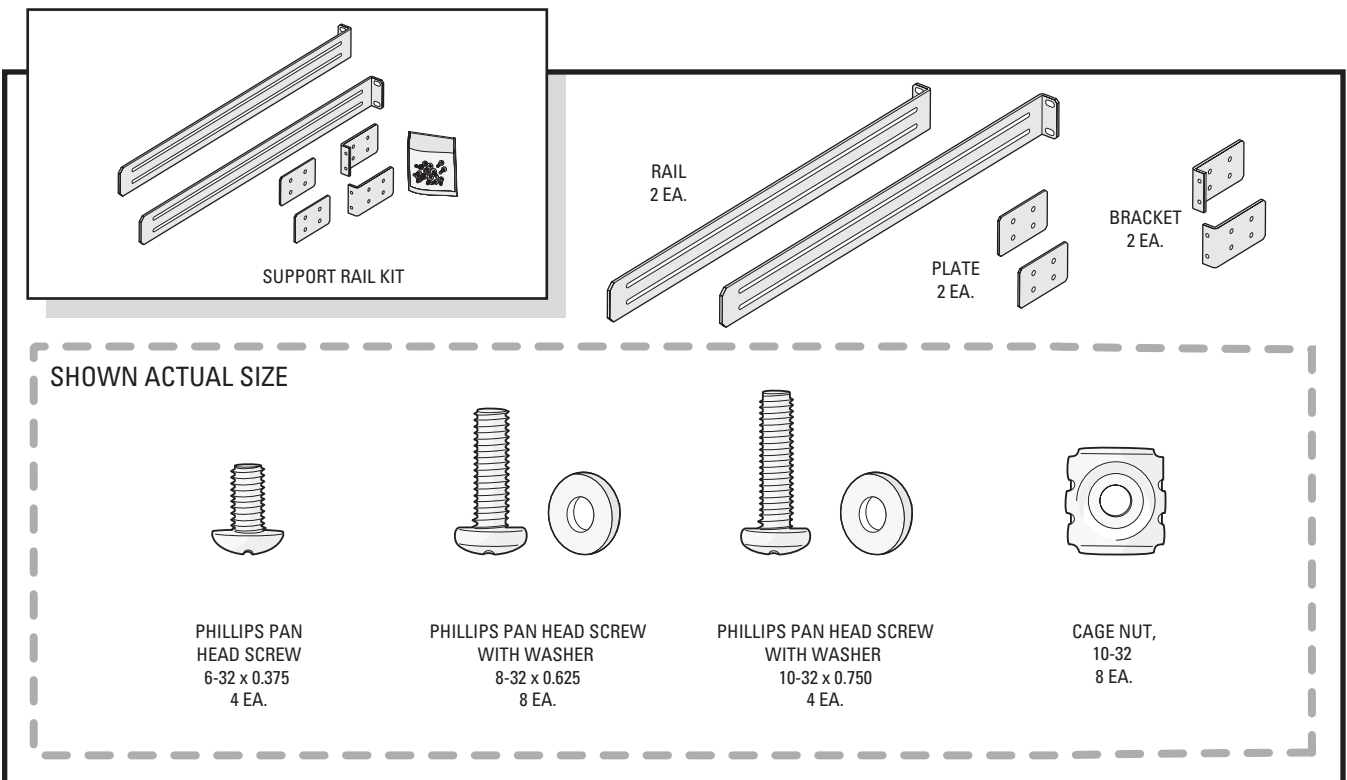


Figure 2. Support Rail Kit

Description

The EPS5000-300 external redundant power supply, which is 1 rack unit (RU) high, has dual 300 W power supplies that slide into a tray. The external power supply can be mounted into a 19-inch, EIA-standard rack. The EPS5000-300 can be used in the following ways:

- Provide redundant power to two fully populated RK5000PS-5U
- Provide redundant power to one fully populated RK5000PS-5U

The EPS5000-300 has a relay output connector that is directly wired to the power and is a normally closed (N.C.) dry contact. If the power supply fails, the relay opens. The 10-pin power connector allows you to connect an over-molded cable (supplied) from the EPS5000-300 to the RK5000PS-5U.

FRONT VIEW

- 1 Rack Ear (2)
- 2 Power Supply with Handle (2)
- 3 Thumbscrew for Fastening Power Supply (4)
- 4 Pelco Badge Power Indicator (2)

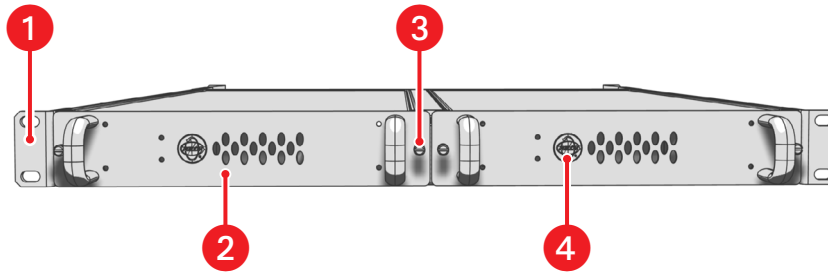


Figure 3. EPS5000-300 Front View

BACK VIEW

- 1 AC Power Cord Connector (2)
- 2 Power Switch (2)
- 3 10-Pin Power Connector (2)
- 4 Relay Output Connector (2)
- 5 Spare Fuse (2)

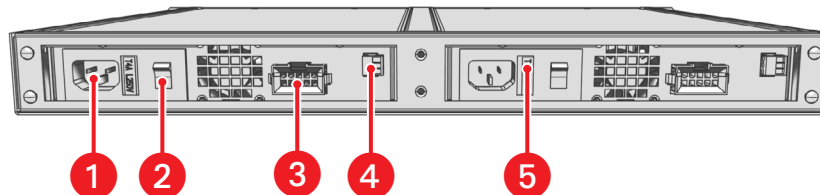


Figure 4. EPS5000-300 Back View

Installation

MOUNTING AN EPS5000-300

The power supply, which is 1 RU high, can provide redundant power to one or two fully populated RK5000PS-5U. To mount the power supply, follow these steps and refer to Figure 5.

1. Insert the EPS5000-300 into the rack.
2. Secure the EPS5000-300 to the rack with four of the supplied 10-32 x 0.750-inch screws and washers.
3. Connect each power supply to the RK5000PS-5U using the supplied over-molded cables. Figure 8 shows the EPS5000-300 providing redundant power to two RK5000PS-5U.
4. Plug in the AC power cords.
5. Turn on the power supply switches.

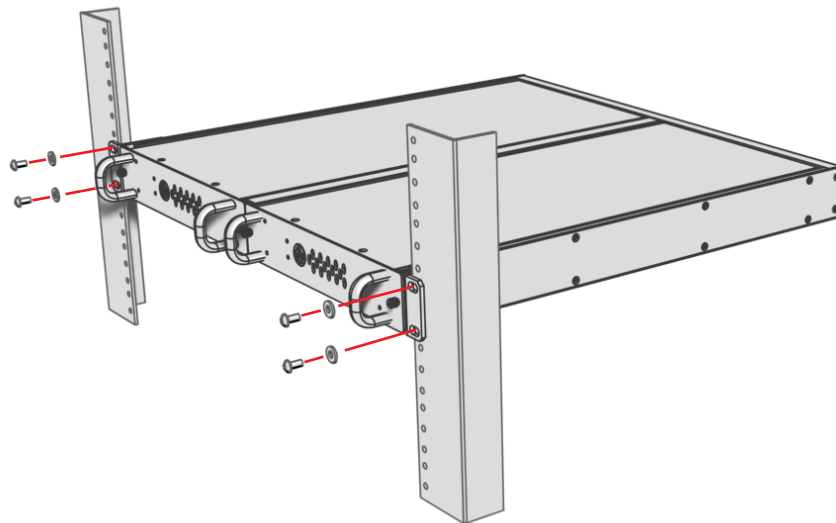


Figure 5. Mounting an EPS5000-300 into a Rack

If installing the EPS5000-300 into a square-hole rack, insert two cage nuts in each side of the square-hole rack as shown in Figure 6.

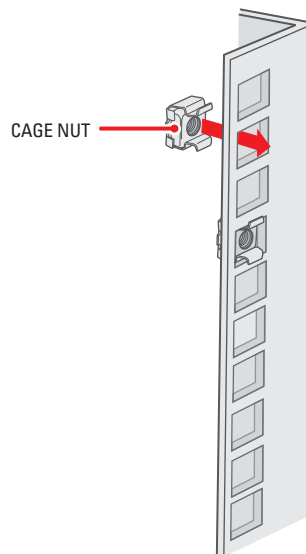


Figure 6. Inserting Cage Nuts

ATTACHING RAILS TO AN EPS5000-300

The rails give the EPS5000-300 more support for rack mounting, especially in deeper racks. To attach the rails, follow these steps and refer to Figure 7.

1. Secure the two brackets to the back of the EPS5000-300 with the four supplied 6-32 x 0.375-inch screws.
2. Place the rails on the sides of the EPS5000-300 to a desired length.
3. Secure the rails and plates to the brackets using the eight supplied 8-32 x 0.625-inch screws and washers.
4. Secure the rails to the rack with four of the supplied 10-32 x 0.750-inch screws and washers.

NOTE: The illustration below shows the attachment of one rail only. The steps for attaching the second rail are the same.

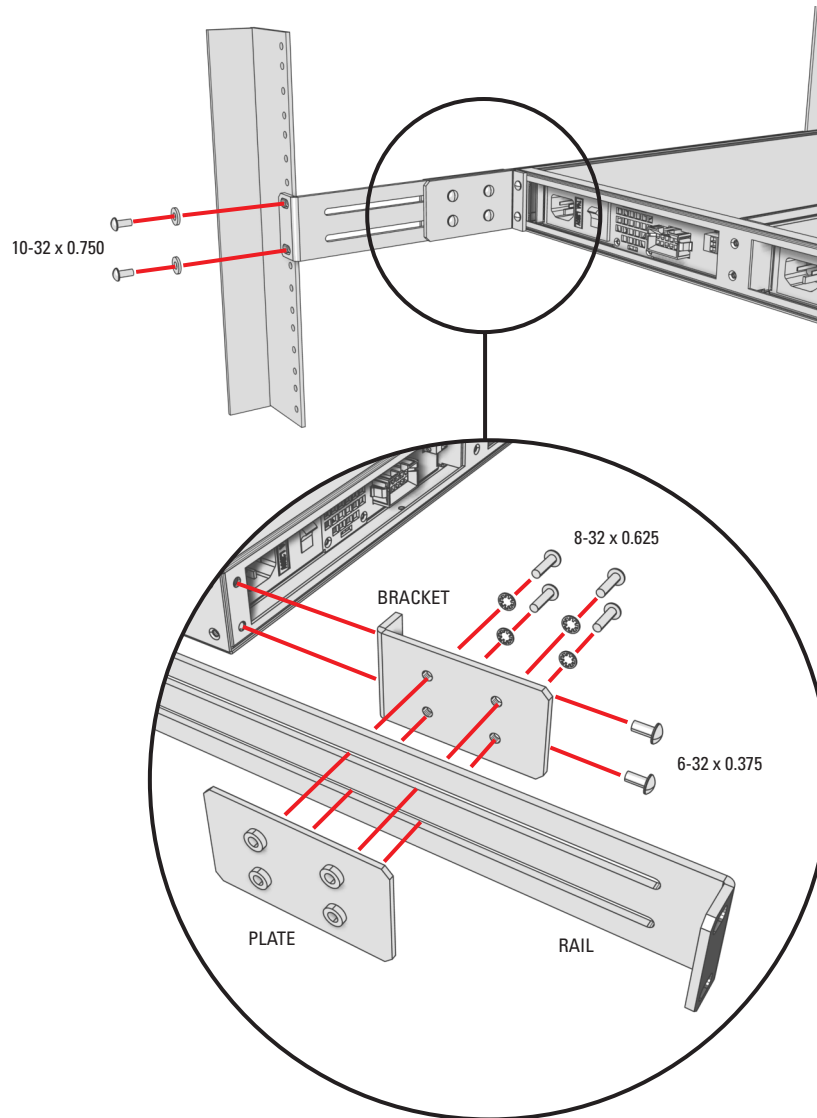


Figure 7. Attaching Rails

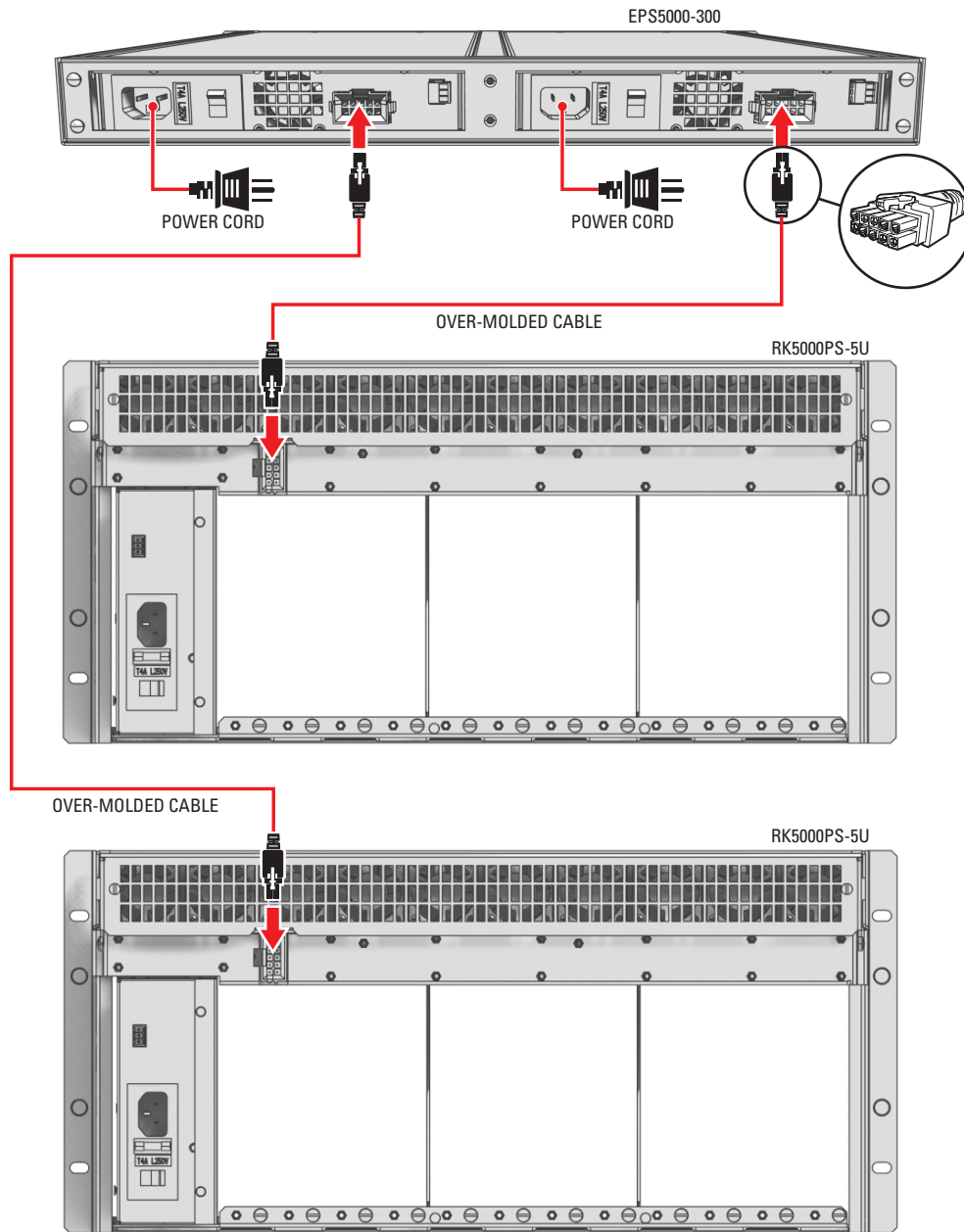


Figure 8. Connecting to an RK5000PS-5U

Service

REPLACING A POWER SUPPLY

You can easily replace either of the two power supplies in the EPS5000-300 with a replacement (EPSPWR-300). You will know if there is a problem with a power supply because the blue Pelco badge on the front panel will turn off. Before replacing a power supply, check the fuse. It can be replaced easily with the supplied spare. If the fuse is not the problem, then follow these steps and refer to Figure 9 to replace the power supply.

1. Disconnect the over-molded cable and the power cord from the failed power supply.
2. Unscrew both thumbscrews of the failed power supply.
3. Remove the power supply.
4. Insert the new power supply.
5. Secure the power supply by tightening both thumbscrews.
6. Connect the over-molded cable from the power supply to the RK5000PS-5U.
7. Plug in the AC power cord.
8. Turn on the power switch.

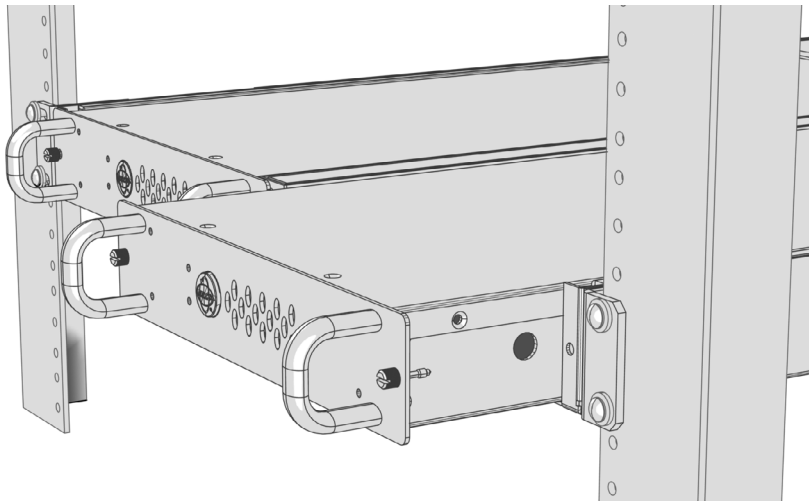


Figure 9. Power Supply Replacement

Specifications

ELECTRICAL

Input Voltage	100-240 VAC
Output Voltage	12 VDC
Power Consumption	600 watts, 308 BTU/H
Fuse	4 amps

MECHANICAL

Rack Units	1
Construction	Aluminum
Finish	Black

GENERAL

Operating Temperature	32° to 122°F (0° to 50°C)
Operating Humidity	80% maximum relative humidity, noncondensing
Dimensions	1.73" H x 17.40" W x 12.00" D (4.39 x 44.20 x 30.48 cm)
Mounting	Fits 19-inch, EIA-standard rack
Unit Weight	16.5 lb (7.48 kg)

PRODUCT WARRANTY AND RETURN INFORMATION

WARRANTY

Pelco will repair or replace, without charge, any merchandise proved defective in material or workmanship **for a period of one year** after the date of shipment.

Exceptions to this warranty are as noted below:

- Five years on FT/FR8000 Series fiber optic products.
- Three years on Genex® Series products (multiplexers, server, and keyboard).
- Three years on Camclosure® and fixed camera models, except the CC3701H-2, CC3701H-2X, CC3751H-2, CC3651H-2X, MC3651H-2, and CC3651H-2X camera models, which have a five-year warranty.
- Two years on standard motorized or fixed focal length lenses.
- Two years on Legacy®, CM6700/CM6800/CM9700 Series matrix, and DF5/DF8 Series fixed dome products.
- Two years on Spectra®, Esprit®, ExSite™, and PS20 Scanners, including when used in continuous motion applications.
- Two years on Esprit® and WW5700 Series window wiper (excluding wiper blades).
- Eighteen months on DX Series digital video recorders, NVR300 Series network video recorders, and Endura™ Series distributed network-based video products.
- One year (except video heads) on video cassette recorders (VCRs). Video heads will be covered for a period of six months.
- Six months on all pan and tilts, scanners or preset lenses used in continuous motion applications (that is, preset scan, tour and auto scan modes).

Pelco will warrant all replacement parts and repairs for 90 days from the date of Pelco shipment. All goods requiring warranty repair shall be sent freight prepaid to Pelco, Clovis, California. Repairs made necessary by reason of misuse, alteration, normal wear, or accident are not covered under this warranty.

Pelco assumes no risk and shall be subject to no liability for damages or loss resulting from the specific use or application made of the Products. Pelco's liability for any claim, whether based on breach of contract, negligence, infringement of any rights of any party or product liability, relating to the Products shall not exceed the price paid by the Dealer to Pelco for such Products. In no event will Pelco be liable for any special, incidental or consequential damages (including loss of use, loss of profit and claims of third parties) however caused, whether by the negligence of Pelco or otherwise.

The above warranty provides the Dealer with specific legal rights. The Dealer may also have additional rights, which are subject to variation from state to state.

If a warranty repair is required, the Dealer must contact Pelco at (800) 289-9100 or (559) 292-1981 to obtain a Repair Authorization number (RA), and provide the following information:

1. Model and serial number
2. Date of shipment, P.O. number, Sales Order number, or Pelco invoice number
3. Details of the defect or problem

If there is a dispute regarding the warranty of a product which does not fall under the warranty conditions stated above, please include a written explanation with the product when returned.

Method of return shipment shall be the same or equal to the method by which the item was received by Pelco.

RETURNS

In order to expedite parts returned to the factory for repair or credit, please call the factory at (800) 289-9100 or (559) 292-1981 to obtain an authorization number (CA number if returned for credit, and RA number if returned for repair).

All merchandise returned for credit may be subject to a 20% restocking and refurbishing charge.

Goods returned for repair or credit should be clearly identified with the assigned CA or RA number and freight should be prepaid. Ship to the appropriate address below.

If you are located within the continental U.S., Alaska, Hawaii or Puerto Rico, send goods to:

Service Department
Pelco
3500 Pelco Way
Clovis, CA 93612-5699

If you are located outside the continental U.S., Alaska, Hawaii or Puerto Rico and are instructed to return goods to the USA, you may do one of the following:

If the goods are to be sent by a COURIER SERVICE, send the goods to:

Pelco
3500 Pelco Way
Clovis, CA 93612-5699 USA

If the goods are to be sent by a FREIGHT FORWARDER, send the goods to:

Pelco c/o Expeditors
473 Eccles Avenue
South San Francisco, CA 94080 USA
Phone: 650-737-1700
Fax: 650-737-0933



This equipment contains electrical or electronic components that must be recycled properly to comply with Directive 2002/96/EC of the European Union regarding the disposal of waste electrical and electronic equipment (WEEE). Contact your local dealer for procedures for recycling this equipment.

REVISION HISTORY

Manual #	Date	Comments
C1631M	4/05	Original version.
C1631M-A	9/05	Added <i>Parts List</i> and <i>Package Contents</i> sections. Added Figure 6. Revised Figures 4 and 5. Revised Power Consumption in <i>Specifications</i> .

Pelco, the Pelco logo, Spectra, Genex, Esprit, Camclosure, and Legacy are registered trademarks of Pelco.
Endura and ExSite are trademarks of Pelco.

©Copyright 2005, Pelco. All rights reserved.



Worldwide Headquarters
3500 Pelco Way
Clovis, California 93612 USA

USA & Canada
Tel: 800/289-9100
Fax: 800/289-9150

International
Tel: 1-559/292-1981
Fax: 1-559/348-1120

www.pelco.com

ISO9001

United States | Canada | United Kingdom | The Netherlands | Singapore | Spain | Scandinavia | France | Middle East

Free Manuals Download Website

<http://myh66.com>

<http://usermanuals.us>

<http://www.somanuals.com>

<http://www.4manuals.cc>

<http://www.manual-lib.com>

<http://www.404manual.com>

<http://www.luxmanual.com>

<http://aubethermostatmanual.com>

Golf course search by state

<http://golfingnear.com>

Email search by domain

<http://emailbydomain.com>

Auto manuals search

<http://auto.somanuals.com>

TV manuals search

<http://tv.somanuals.com>