



C1463SM (12/00) PDF8 Series Pendant Fixed Mount Dome

3500 Pelco Way
Clovis, CA 93612-5699
USA

In North America & Canada:
Tel (800) 289-9100
FAX (800) 289-9150

International Customers:
Tel +1(559) 292-1981
FAX +1(559) 348-1120

www.pelco.com

This maintenance/service manual consists of an exploded assembly diagram and parts list. Use this manual when ordering replacement parts for the PDF8 Series dome.

MAINTENANCE

Regularly scheduled maintenance helps prolong the operational life and appearance of the equipment.

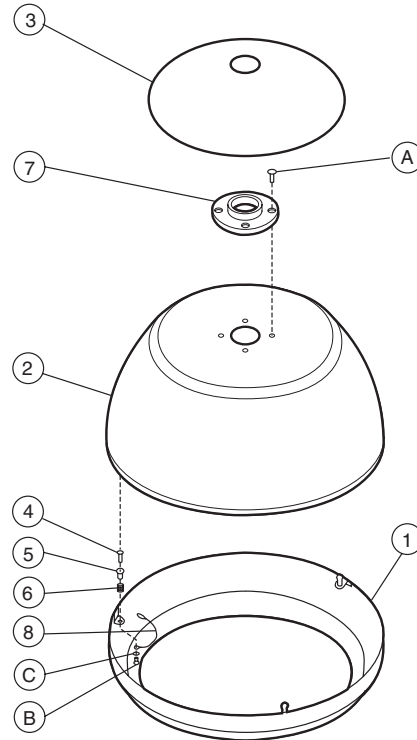


Figure 1. PDF8 Series Exploded Assembly Diagram

Table A. Parts List

Item	Qty	Description	Part Number
1	1	Bezel	8084196BCOMP
2	1	Back box	8084195BCOMP
3	1	Back box cap, pendant	8084994COMP
4	3	Pin	80010053
5	3	Flanged nylon spacer, .25-inch CLR x .4375-inch L	SPA2538
6	3	Compression spring	SPRG10000
7	1	Flange, 1.50-inch NPT	MRCA4000COMP
8	1	Safety Cable, safety	E7081002COMP
9	1	Acrylic dome (black w/smoked slot) (Not shown)	80810015-00
	1	Acrylic dome (black w/clear slot) (Not shown)	80810015-01
10	1	Tilt table (Not shown)	PDF4001COMP
11	1	Fixed drive frame (Not shown)	PDF4002COMP
12	1	Flange adapter (Not shown)	PDF4003COMP
13	1	Retainer bracket (Not shown)	PDF4004COMP
A	4	Screw 1/4-20 x .625-inch, Phillips, flat head	ZH1/420X.625SFS
B	3	Screw 6-32 x .25-inch	ZH6-32X.250SS
C	3	Internal lock washer, #6	ZH6LWSIS

WARRANTY AND RETURN INFORMATION

WARRANTY

Pelco will repair or replace, without charge, any merchandise proved defective in material or workmanship for a period of one year after the date of shipment. Exceptions to this warranty are as noted below:

- Three years on Genex® Series (multiplexers, server, and keyboard).
- Two years on cameras and all standard motorized or fixed focal length lenses.
- Two years on Legacy®, Camclosure™ Camera Systems, CM6700/CM8500/CM9500/CM9750/CM9760 Matrix, PelcoVision®, DF5 Series and DF8 Fixed Dome products.
- Two years on Spectra® and Esprit™, including when used in continuous motion applications.
- Two years on WW5700 series window wiper (excluding wiper blades).
- Six months on all pan and tilts, scanners or preset lenses used in continuous motion applications (that is, preset scan, tour and auto scan modes).

Pelco will warrant all replacement parts and repairs for 90 days from the date of Pelco shipment. All goods requiring warranty repair shall be sent freight prepaid to Pelco, Clovis, California. Repairs made necessary by reason of misuse, alteration, normal wear, or accident are not covered under this warranty.

Pelco assumes no risk and shall be subject to no liability for damages or loss resulting from the specific use or application made of the Products. Pelco's liability for any claim, whether based on breach of contract, negligence, infringement of any rights of any party or product liability, relating to the Products shall not exceed the price paid by the Dealer to Pelco for such Products. In no event will Pelco be liable for any special, incidental or consequential damages (including loss of use, loss of profit and claims of third parties) however caused, whether by the negligence of Pelco or otherwise.

The above warranty provides the Dealer with specific legal rights. The Dealer may also have additional rights, which are subject to variation from state to state.

If a warranty repair is required, the Dealer must contact Pelco at (800) 289-9100 or (559) 292-1981 to obtain a Repair Authorization number (RA), and provide the following information:

1. Model and serial number
2. Date of shipment, P.O. number, Sales Order number, or Pelco invoice number
3. Details of the defect or problem

If there is a dispute regarding the warranty of a product which does not fall under the warranty conditions stated above, please include a written explanation with the product when returned.

Method of return shipment shall be the same or equal to the method by which the item was received by Pelco.

RETURNS

In order to expedite parts returned to the factory for repair or credit, please call the factory at (800) 289-9100 or (559) 292-1981 to obtain an authorization number (CA number if returned for credit, and RA number if returned for repair). Goods returned for repair or credit should be clearly identified with the assigned CA/RA number and freight should be prepaid. All merchandise returned for credit may be subject to a 20% restocking and refurbishing charge.

Ship freight prepaid to: Pelco
3500 Pelco Way
Clovis, CA 93612-5699

REVISION HISTORY

Manual #	Date	Comments
C1463SM	12/00	Original version.

Free Manuals Download Website

<http://myh66.com>

<http://usermanuals.us>

<http://www.somanuals.com>

<http://www.4manuals.cc>

<http://www.manual-lib.com>

<http://www.404manual.com>

<http://www.luxmanual.com>

<http://aubethermostatmanual.com>

Golf course search by state

<http://golfingnear.com>

Email search by domain

<http://emailbydomain.com>

Auto manuals search

<http://auto.somanuals.com>

TV manuals search

<http://tv.somanuals.com>