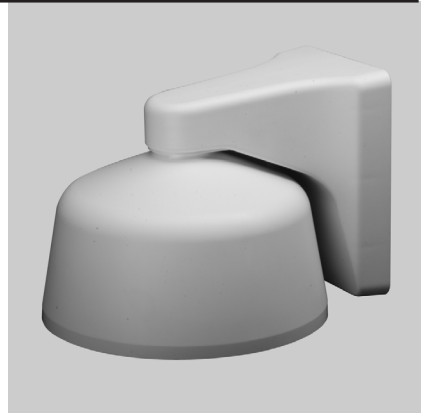


# INSTALLATION



## SWM4-W Wall Mount



**Indoor Only**

**C2223M-A (2/06)**

# Important Safety Instructions

---

1. Read these instructions.
2. Keep these instructions.
3. Heed all warnings.
4. Follow all instructions.
5. Only use attachments/accessories specified by the manufacturer.
6. Use only with the cart, stand, tripod, bracket, or table specified by the manufacturer, or sold with the apparatus. When a cart is used, use caution when moving the cart/apparatus combination to avoid injury from tip-over.
7. Installation should be done only by qualified personnel and conform to all local codes.
8. Use only installation methods and materials capable of supporting four times the maximum specified load.
9. Use only replacement parts recommended by Pelco.

## Description

The SWM4-W wall mount is specifically designed for the Spectra® Mini dome system. The mount offers full feedthrough connections for a clean installation with no exposed wires.

# Installation

---

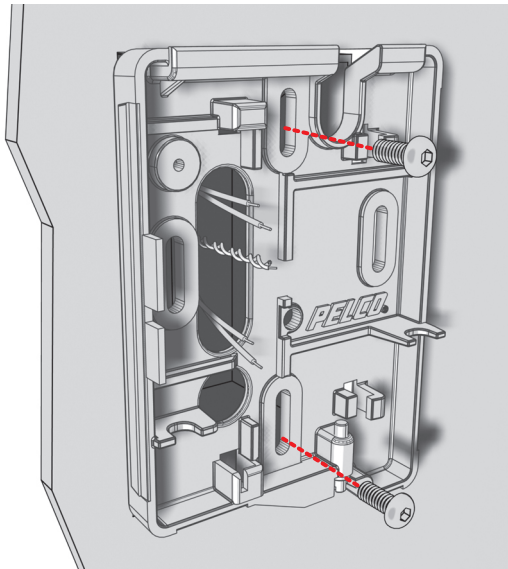
The following parts are supplied:

- 1 Adapter plate with locking screw
- 1 Wall mount
- 2 8-32 x 0.75-inch screws

To install the SWM4-W wall mount:

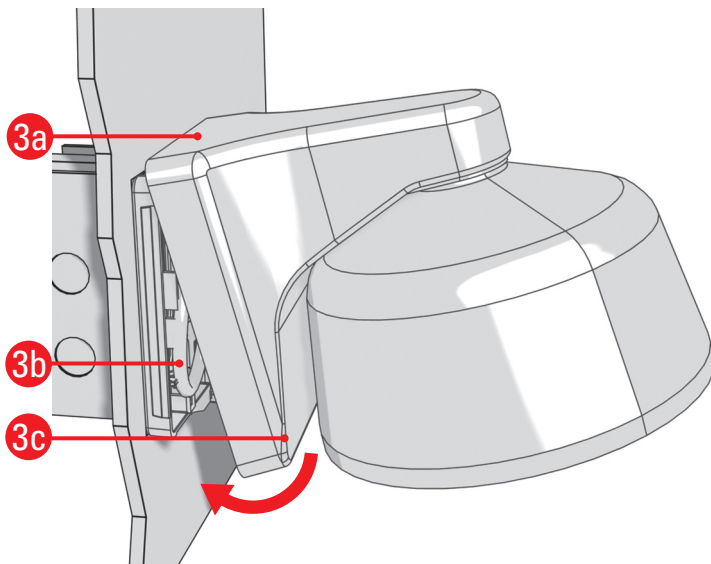
1. Run 24 VAC power, video (coax or UTP), and camera control wiring to the mounting location. If you are using coax video, do not attach a BNC connector to the cable until step 5. Refer to Table D, Table E, and Table F in the installation manual for the Spectra Mini dome for wiring information.
2. Thread the 24 VAC power, video (coax or UTP), and control wiring through the large access hole in the adapter plate. Then attach the adapter plate to the mounting surface using either the top/bottom or left/right pair of mounting holes. (The top/bottom pair is shown in Figure 1.)

**NOTE:** If mounting to anything other than a junction box, select appropriate mounting hardware for the mounting surface.



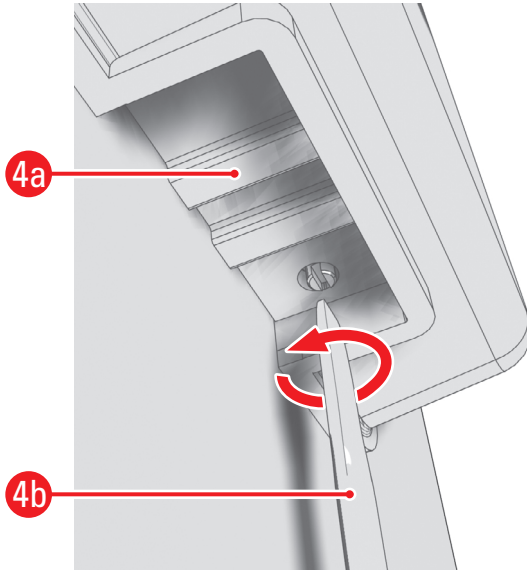
**Figure 1.** Mounting the Adapter Plate

3. Thread the wiring through the wall mount, and then attach the mount to the adapter plate:
  - a. Locate the mount hooks in the mount. Hang these hooks onto the adapter plate guides.
  - b. Make sure all wires are enclosed in the mount.
  - c. Rock the mount into place.



**Figure 2.** Attaching the Mount

4. Lock the mount:
  - a. Locate the slide lock at the base of the mount. Slide it to the right to secure the mount.
  - b. Turn the locking screw counterclockwise until the slide lock is secured.



**Figure 3.** Locking the Mount

5. If you are using coax video, attach a female BNC connector to the coax cable.
6. Install the Spectra Mini dome in the mount. Follow the instructions in the *Switch Settings* and *Hard Ceiling* installation sections of the installation manual for the Spectra Mini dome system. In the *Hard Ceiling* section, disregard step 2 about cutting holes in the ceiling. In step 5 of the same section, attach the dome drive to the mount with the two 8-32 x 0.75-inch screws that are supplied with the mount.

# Specifications

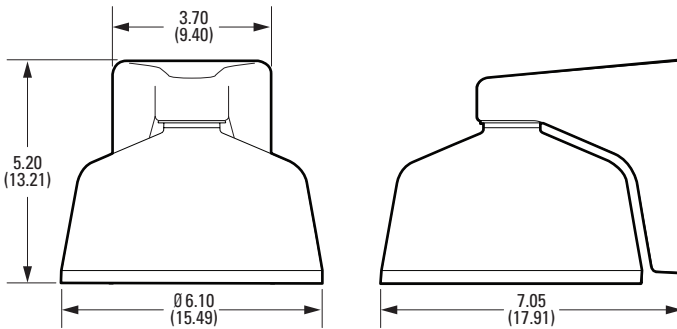
---

## MECHANICAL

Mounting Method      Attach the mount to wall; attach Spectra Mini dome with the hardware supplied with the mount.

## GENERAL

Construction  
Mount                    ABS plastic  
Adapter Plate        Aluminum  
Finish                    White  
Weight                    0.72lb (0.33 kg)



NOTE: VALUES IN PARENTHESES ARE CENTIMETERS; ALL OTHERS ARE INCHES.

# PRODUCT WARRANTY AND RETURN INFORMATION

## WARRANTY

Pelco will repair or replace, without charge, any merchandise proved defective in material or workmanship **for a period of one year** after the date of shipment.

Exceptions to this warranty are as noted below:

- Five years on FT/FR8000 Series fiber optic products.
- Three years on Genex® Series products (multiplexers, server, and keyboard).
- Three years on Camclosure® and fixed camera models, except the CC3701H-2, CC3751H-2, CC3651H-2X, MC3651H-2, and MC3651H-2X camera models, which have a five-year warranty.
- Two years on standard motorized or fixed focal length lenses.
- Two years on Legacy®, CM6700/CM6800/CM9700 Series matrix, and DF5/DF8 Series fixed dome products.
- Two years on Spectra®, Esprit®, ExSite™, and PS20 scanners, including when used in continuous motion applications.
- Two years on Esprit® and WWW5700 Series window wiper (excluding wiper blades).
- Two years (except lamp and color wheel) on Digital Light Processing (DLP®) displays. The lamp and color wheel will be covered for a period of 90 days. The air filter is not covered under warranty.
- Eighteen months on DX Series digital video recorders, NVR300 Series network video recorders, Endura™ Series distributed network-based video products, and TW3000 Series twisted pair transmission products.
- One year (except video heads) on video cassette recorders (VCRs). Video heads will be covered for a period of six months.
- Six months on all pan and tilts, scanners or preset lenses used in continuous motion applications (that is, preset scan, tour and auto scan modes).

Pelco will warrant all replacement parts and repairs for 90 days from the date of Pelco shipment. All goods requiring warranty repair shall be sent freight prepaid to Pelco, Clovis, California. Repairs made necessary by reason of misuse, alteration, normal wear, or accident are not covered under this warranty.

Pelco assumes no risk and shall be subject to no liability for damages or loss resulting from the specific use or application made of the Products. Pelco's liability for any claim, whether based on breach of contract, negligence, infringement of any rights of any party or product liability, relating to the Products shall not exceed the price paid by the Dealer to Pelco for such Products. In no event will Pelco be liable for any special, incidental or consequential damages (including loss of use, loss of profit and claims of third parties) however caused, whether by the negligence of Pelco or otherwise.

The above warranty provides the Dealer with specific legal rights. The Dealer may also have additional rights, which are subject to variation from state to state.

If a warranty repair is required, the Dealer must contact Pelco at (800) 289-9100 or (559) 292-1981 to obtain a Repair Authorization number (RA), and provide the following information:

1. Model and serial number
2. Date of shipment, P.O. number, Sales Order number, or Pelco invoice number
3. Details of the defect or problem

If there is a dispute regarding the warranty of a product which does not fall under the warranty conditions stated above, please include a written explanation with the product when returned.

Method of return shipment shall be the same or equal to the method by which the item was received by Pelco.

## RETURNS

In order to expedite parts returned to the factory for repair or credit, please call the factory at (800) 289-9100 or (559) 292-1981 to obtain an authorization number (CA number if returned for credit, and RA number if returned for repair).

All merchandise returned for credit may be subject to a 20% restocking and refurbishing charge.

Goods returned for repair or credit should be clearly identified with the assigned CA or RA number and freight should be prepaid. Ship to the appropriate address below.

*If you are located within the continental U.S., Alaska, Hawaii or Puerto Rico, send goods to:*

Service Department  
Pelco  
3500 Pelco Way  
Clovis, CA 93612-5699

*If you are located outside the continental U.S., Alaska, Hawaii or Puerto Rico and are instructed to return goods to the USA, you may do one of the following:*

If the goods are to be sent by a COURIER SERVICE, send the goods to:

Pelco  
3500 Pelco Way  
Clovis, CA 93612-5699 USA

If the goods are to be sent by a FREIGHT FORWARDER, send the goods to:

Pelco c/o Expeditors  
473 Eccles Avenue  
South San Francisco, CA 94080 USA  
Phone: 650-737-1700  
Fax: 650-737-0933

## REVISION HISTORY

| Manual # | Date | Comments   |
|----------|------|--|
| C2223M   | 1/06 | Original version.  |
| C2223M-A | 2/06 | Revised installation instructions regarding coaxial cable. |

Pelco, the Pelco logo, Camclosure, Esprit, Genex, Legacy, and Spectra are registered trademarks of Pelco.  
Endura and ExSite are trademarks of Pelco.  
DLP is a registered trademark of Texas Instruments, Inc.

©Copyright 2006, Pelco.  
All rights reserved.



Worldwide Headquarters  
3500 Pelco Way  
Clovis, California 93612 USA

USA & Canada  
Tel: 800/289-9100  
Fax: 800/289-9150  
International  
Tel: 1-559/292-1981  
Fax: 1-559/348-1120

[www.pelco.com](http://www.pelco.com)

ISO9001

United States | Canada | United Kingdom | The Netherlands | Singapore | Spain | Scandinavia | France | Middle East



## Free Manuals Download Website

<http://myh66.com>

<http://usermanuals.us>

<http://www.somanuals.com>

<http://www.4manuals.cc>

<http://www.manual-lib.com>

<http://www.404manual.com>

<http://www.luxmanual.com>

<http://aubethermostatmanual.com>

Golf course search by state

<http://golfingnear.com>

Email search by domain

<http://emailbydomain.com>

Auto manuals search

<http://auto.somanuals.com>

TV manuals search

<http://tv.somanuals.com>