



by **Schneider** Electric

# INSTALLATION

## **SWM Series Spectra<sup>®</sup> Compact Wall Mount**



**C293M-B (1/09)**

# Important Safety Instructions

---

1. Installation and servicing should only be done by qualified service personnel and conform to all local codes.
2. Installation shall be done in accordance with all local and national electrical and mechanical codes utilizing only approved materials.
3. Use only installation methods and materials capable of supporting four times the maximum specified load.
4. Please thoroughly familiarize yourself with the information in this manual prior to installation and operation.

## Description

The SWM Series Spectra® compact wall mount provides indoor and outdoor wall mounting for Spectra and DF5 Series pendant domes. The mount features cable feedthrough that conceals the electrical wiring to the dome back box. A 1.5-inch NPT pipe thread is provided in the mount to attach the pendant dome. Anti-seize compound is supplied to be applied to the pipe thread. The sun shield used for the outdoor versions of the pendant dome back boxes is readily accepted by the mount.

The mount can be attached to any vertical load-bearing surface or to an SWM-PA Series pole adapter by means of a mounting cleat. A gasket is affixed to the base to protect the interior from moisture.

The mount is constructed of aluminum and has either a light gray or black polyester powder coat finish.

## MODELS

SWM-GY	Compact wall mount with cable feedthrough for use with Spectra or DF5 Series pendant domes. Gray finish.
SWM-BK	Same as SWM-GY, except black finish.

## PARTS LIST

Qty	Description
1	Wall mount, gray or black
1	Mounting cleat
1	Adjustment plate
1	10-24 set screw
1	Anti-seize lubricant

# Installation

---

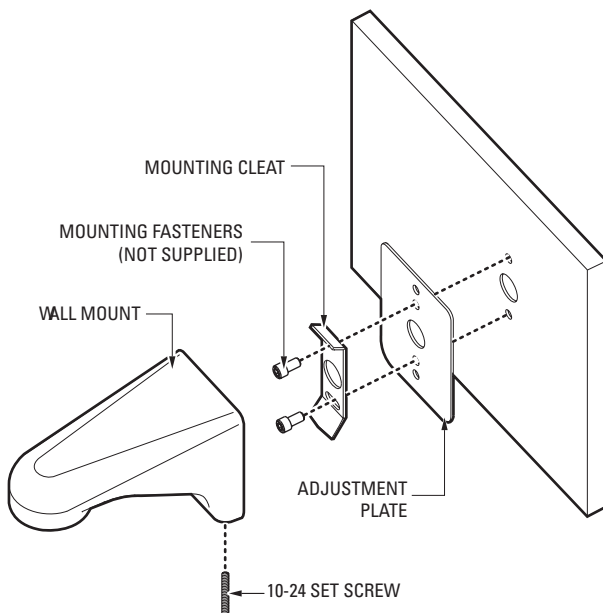
The SWM can be mounted directly onto a wall, onto a single gang electrical box, or onto a pole using an adapter. Refer to the SWM-PA Series pole adapter manual (C294M) for pole mounting installation instructions.

## WALL MOUNTING

To install the SWM Series wall mount directly onto a wall (refer to Figure 1 on page 4):

1. Determine the location where the mount is to be installed.
2. Use the adjustment plate as a template to drill holes into the mounting surface. If the adjustment plate is not required for shimming, it can be discarded after the mounting holes are drilled.
3. Pull the electrical cables from the cable hole in the mounting surface through the cable holes in the adjustment plate (if required), and then through the mounting cleat. Position the cleat so the elongated mounting fastener hole is below the cable entry hole and the embossed arrow is pointing up.
4. Fasten the adjustment plate (if used) and mounting cleat securely to the mounting surface with two fasteners of appropriate length and size (not supplied). If necessary, before tightening the two fasteners, insert shims between the adjustment plate and the mounting surface to create a perpendicular surface on which to attach the wall mount. The lower hole in the mounting cleat is elongated, which allows for vertical alignment adjustment.
5. Pull the electrical cables through the mount, hook the mount onto the top of the mounting cleat, and position the mount flush against the mounting surface. If necessary, loosen the set screw to ensure the mount is flush against the mounting surface. Tighten the set screw in the bottom of the mount only until the mount is snug against the surface. *Do not overtighten.*

6. Attach the pendant model back box to the mount:
  - a. Pull the electrical cables from the mount into the back box.
  - b. Apply anti-seize lubricant (supplied) to the back box pipe threads.
  - c. Screw the back box into the threads in the mount.
  - d. Complete the installation using the instructions in the dome manual.

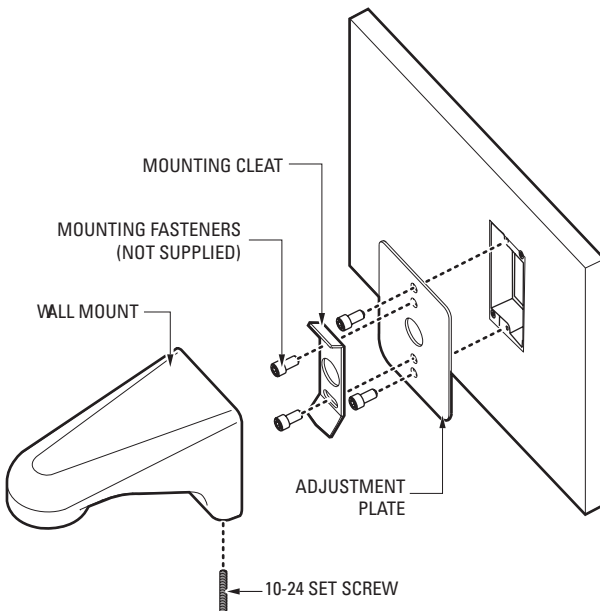


**Figure 1.** Installing the SWM Series Wall Mount onto a Wall

# ELECTRICAL BOX MOUNTING

To install the SWM Series wall mount onto a single gang electrical box (refer to Figure 2 on page 5):

1. Thread the two inner mounting holes on the adjustment plate to be used with threaded mounting fasteners (not supplied).
2. Pull the electrical cables from the gang box through the cable hole in the adjustment plate.
3. Fasten the adjustment plate to the mounting surface with two fasteners of appropriate length and size (not supplied).
4. Pull the electrical cables from the gang box through the cable hole in the mounting cleat. Position the cleat so the elongated mounting fastener hole is below the cable entry hole and the embossed arrow is pointing up.
5. Fasten the mounting cleat to the adjustment plate with two threaded fasteners of appropriate length and size (not supplied).
6. Pull the electrical cables through the mount, hook the mount onto the top of the mounting cleat, and position the mount flush against the mounting surface. If necessary, loosen the set screw to ensure the mount is flush against the mounting surface. Tighten the set screw in the bottom of the mount only until the mount is snug against the surface. *Do not overtighten.*
7. Attach the pendant model back box to the mount:
  - a. Pull the electrical cables from the mount into the back box.
  - b. Apply anti-seize lubricant (supplied) to the back box pipe threads.
  - c. Screw the back box into the threads in the mount.
  - d. Complete the installation using the instructions in the dome manual.



**Figure 2.** Installing the SWM Series Wall Mount onto an Electrical Box

# Specifications

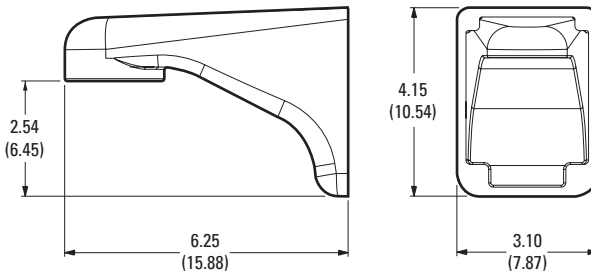
## MECHANICAL

Construction	Cast aluminum
Finish	
SWM-GY	Gray polyester powder coat
SWM-BK	Black polyester powder coat
Mount Method	Mount is secured by a set screw to a mounting cleat that is attached to a surface with two fasteners (not supplied). A gasket is affixed to the base to protect the interior from moisture. An adjustment plate is provided to allow the wall mount to be shimmed when the mounting surface is not plumb. The lower hole in the mounting cleat is elongated, which allows for vertical alignment adjustment.
Dome Mounting	1-1/2-inch NPT pipe thread in mount tip. Anti-seize lubricant is supplied to be applied to the pipe threads.
Cable Entry	One cable feedthrough hole in the mounting cleat. Cable feeds through the mount into the pendant dome.
Maximum Load	10 lb (4.5 kg)

## GENERAL

Environment	Indoor/outdoor
Weight	
Unit	1.1 lb (0.50 kg)
Shipping	2.0 lb (0.91 kg)

*(Design and product specifications subject to change without notice.)*



NOTE: VALUES IN PARENTHESIS ARE CENTIMETERS; ALL OTHERS ARE INCHES.

**Figure 3.** Dimension Drawing

# PRODUCT WARRANTY AND RETURN INFORMATION

## WARRANTY

Pelco will repair or replace, without charge, any merchandise proved defective in material or workmanship **for a period of one year** after the date of shipment.

Exceptions to this warranty are as noted below:

- Five years:
  - Fiber optic products
  - TW3000 Series unshielded twisted pair (UTP) transmission products
  - CC3701H-2, CC3701H-2X, CC3751H-2, CC3651H-2X, MC3651H-2, and MC3651H-2X camera models
- Three years:
  - Pelco-branded fixed camera models (CCC1390H Series, C10DN Series, C10CH Series, and IP3701H Series)
  - EH1500 Series enclosures
  - Spectra<sup>®</sup> IV products (including Spectra IV IP)
  - Camclosure<sup>®</sup> Series (IS, ICS, IP) integrated camera systems
  - DX Series digital video recorders, DVR5100 Series digital video recorders, Digital Sentry<sup>®</sup> Series hardware products, DVX Series digital video recorders, and NVR300 Series network video recorders
  - Endura<sup>®</sup> Series distributed network-based video products
  - Genex<sup>®</sup> Series products (multiplexers, server, and keyboard)
  - PMCL200/300/400 Series LCD monitors
- Two years:
  - Standard varifocal, fixed focal, and motorized zoom lenses.
  - DF5/DF8 Series fixed dome products
  - Legacy<sup>®</sup> Series integrated positioning systems
  - Spectra III<sup>™</sup>, Spectra Mini, Spectra Mini IP, Esprit<sup>®</sup>, ExSite<sup>®</sup>, and PS20 scanners, including when used in continuous motion applications.
  - Esprit Ti and TI2500 Series thermal imaging products
  - Esprit and VVV5700 Series window wiper (excluding wiper blades).
  - CM6700/CM6800/CM9700 Series matrix
  - Digital Light Processing (DLP<sup>®</sup>) displays (except lamp and color wheel). The lamp and color wheel will be covered for a period of 90 days. The air filter is not covered under warranty.
  - Intelli-M<sup>®</sup> eIDC controllers
- One year:
  - Video cassette recorders (VCRs), except video heads. Video heads will be covered for a period of six months.
- Six months:
  - All pan and tilts, scanners, or preset lenses used in continuous motion applications (preset scan, tour, and auto scan modes).

Pelco will warrant all replacement parts and repairs for 90 days from the date of Pelco shipment. All goods requiring warranty repair shall be sent freight prepaid to a Pelco designated location. Repairs made necessary by reason of misuse, alteration, normal wear, or accident are not covered under this warranty.

Pelco assumes no risk and shall be subject to no liability for damages or loss resulting from the specific use or application made of the Products. Pelco's liability for any claim, whether based on breach of contract, negligence, infringement of any rights of any party or product liability, relating to the Products shall not exceed the price paid by the Dealer to Pelco for such Products. In no event will Pelco be liable for any special, incidental, or consequential damages (including loss of use, loss of profit, and claims of third parties) however caused, whether by the negligence of Pelco or otherwise.

The above warranty provides the Dealer with specific legal rights. The Dealer may also have additional rights, which are subject to variation from state to state.

If a warranty repair is required, the Dealer must contact Pelco at (800) 289-9100 or (559) 292-1981 to obtain a Repair Authorization number (RA), and provide the following information:

1. Model and serial number
2. Date of shipment, P.O. number, sales order number, or Pelco invoice number
3. Details of the defect or problem

If there is a dispute regarding the warranty of a product that does not fall under the warranty conditions stated above, please include a written explanation with the product when returned.

Method of return shipment shall be the same or equal to the method by which the item was received by Pelco.

## RETURNS

To expedite parts returned for repair or credit, please call Pelco at (800) 289-9100 or (559) 292-1981 to obtain an authorization number (CA number if returned for credit, and RA number if returned for repair) and designated return location.

All merchandise returned for credit may be subject to a 20 percent restocking and refurbishing charge.

Goods returned for repair or credit should be clearly identified with the assigned CA or RA number and freight should be prepaid

12-23-08

## REVISION HISTORY

Manual #	Date	Comments
C293M	11/98	Original version.
C293M-A	12/07	Updated to new format. Revised Figure 1 to include additional holes in adjustment plate.
C293M-B	1/09	Reformatted manual to smaller size.

Pelco, the Pelco logo, Camclosure, Endura, Esprit, ExSite, Genex, Legacy, and Spectra are registered trademarks of Pelco. © Copyright 2007, Pelco. All rights reserved.

Spectra III is a trademark of Pelco.

DLP is a registered trademark of Texas Instruments Incorporated.

***PELCO***

by **Schneider** Electric

[www.pelco.com](http://www.pelco.com)

Pelco, Inc. Worldwide Headquarters 3500 Pelco Way Clovis, California 93612 USA  
USA & Canada Tel (800) 289-9100 Fax (800) 289-9150  
International Tel +1 (559) 292-1981 Fax +1 (559) 348-1120



## Free Manuals Download Website

<http://myh66.com>

<http://usermanuals.us>

<http://www.somanuals.com>

<http://www.4manuals.cc>

<http://www.manual-lib.com>

<http://www.404manual.com>

<http://www.luxmanual.com>

<http://aubethermostatmanual.com>

Golf course search by state

<http://golfingnear.com>

Email search by domain

<http://emailbydomain.com>

Auto manuals search

<http://auto.somanuals.com>

TV manuals search

<http://tv.somanuals.com>