



C283SM (10/99)  
LWM41  
Legacy® Wall Mount

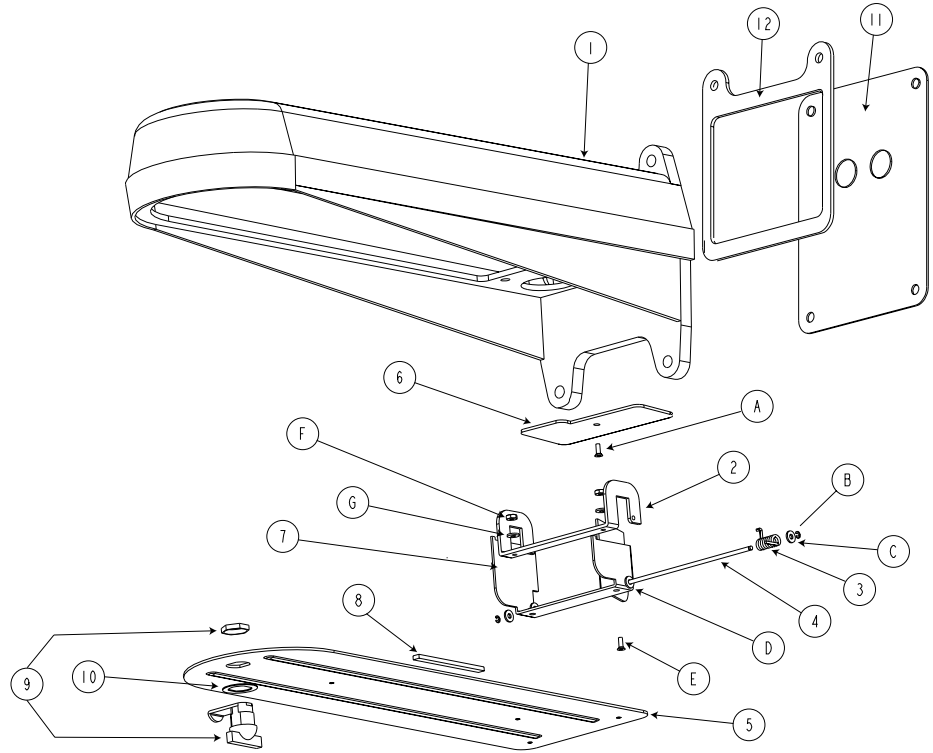
300 W. Pontiac Way,  
Clovis, CA 93612-5699  
USA

In North America & Canada:  
Tel (800) 289-9100  
FAX (800) 289-9150  
DataFAX (800) 289-9108

International Customers:  
Tel +1 (559) 292-1981  
FAX +1 (559) 348-1120  
DataFAX +1 (559) 292-0435

**Pelco Online**  
<http://www.pelco.com>

EXPLODED ASSEMBLY DIAGRAM



LWM41 Exploded Assembly Diagram

## LWM41 Exploded Assembly Parts List

Item	Qty	Description	Part Number
1	1	Arm	9414000COMP
2	1	Access panel hinge	9414002COMP
3	1	Access panel hinge spring	94110002
4	1	Stainless steel hinge pin	94110001
5	1	Access panel	9414001COMP
6	1	Cover plate	9414009COMP
7	1	Base hinge	9414003COMP
8	4 feet	Neoprene gasket	94510030A
9	1	Latch, 1/4-turn lever	EH450010014
10	1	Lock/Latch gasket	EH450010214
11	1	Block-off plate	9204106COMP
12	1	Block-off plate gasket	94110004
A	1	Screw, 8-32 x 1/4-inch, pan head, Phillips	ZH8-32X.250SPP
B	2	Flat washer, #4	ZH125X312X32S
C	2	Type-E Clip	ZH.125ECLIP
D	2	Nylon washer	ZH131X361X62N
E	2	Screw, 6-32 x 3/8-inch, flat head, Phillips	ZH6-32X.375SFP
F	3	Nut, 6-32	ZH6-32NUTSH
G	3	Internal tooth lock washer, #6	ZH6LWSIS
*NS	1	Screw, 6-32 x 5/8-inch, flat head, Phillips	ZH6-32X.625SFS
*NS	1	Ground wire, 18 AWG, green, with connector	9411011

\* NS = Not Shown

### WARRANTY AND RETURN INFORMATION

#### WARRANTY

Pelco will repair or replace, without charge, any merchandise proved defective in material or workmanship for a period of one year after the date of shipment. Exceptions to this warranty are as noted below:

- Three years on Genex™ Series (multiplexers, server, and keyboard).
- Two years on all standard motorized and fixed focal length lenses.
- Two years on Esprit™, Legacy®, Intercept®, PV1000 Series, CM6700/CM8500/CM9500/CM9750/CM9760 Matrix, Spectra®, DF5 Series and DF8 Fixed Dome products.
- Two years on WW5700 series window wiper (excluding wiper blades).
- Two years on cameras.
- Six months on all pan and tilts, scanners or preset lenses used in continuous motion applications (that is, preset scan, tour and auto scan modes).

Pelco will warrant all replacement parts and repairs for 90 days from the date of Pelco shipment. All goods requiring warranty repair shall be sent freight prepaid to Pelco, Clovis, California. Repairs made necessary by reason of misuse, alteration, normal wear, or accident are not covered under this warranty.

Pelco assumes no risk and shall be subject to no liability for damages or loss resulting from the specific use or application made of the Products. Pelco's liability for any claim, whether based on breach of contract, negligence, infringement of any rights of any party or product liability, relating to the Products shall not exceed the price paid by the Dealer to Pelco for such Products. In no event will Pelco be liable for any special, incidental or consequential damages (including loss of use, loss of profit and claims of third parties) however caused, whether by the negligence of Pelco or otherwise.

The above warranty provides the Dealer with specific legal rights. The Dealer may also have additional rights, which are subject to variation from state to state.

If a warranty repair is required, the Dealer must contact Pelco at (800) 289-9100 or (559) 292-1981 to obtain a Repair Authorization number (RA), and provide the following information:

1. Model and serial number
2. Date of shipment, P.O. number, Sales Order number, or Pelco invoice number
3. Details of the defect or problem

If there is a dispute regarding the warranty of a product which does not fall under the warranty conditions stated above, please include a written explanation with the product when returned.

Ship freight prepaid to: Pelco  
300 West Pontiac Way  
Clovis, CA 93612-5699

Method of return shipment shall be the same or equal to the method by which the item was received by Pelco.

#### RETURNS

In order to expedite parts returned to the factory for repair or credit, please call the factory at (800) 289-9100 or (559) 292-1981 to obtain an authorization number (CA number if returned for credit, and RA number if returned for repair). Goods returned for repair or credit should be clearly identified with the assigned CA/RA number and freight should be prepaid. All merchandise returned for credit may be subject to a 20% restocking and refurbishing charge.

Ship freight prepaid to: Pelco  
300 West Pontiac Way  
Clovis, CA 93612-5699

#### REVISION HISTORY

Manual #	Date	Comments
C283SM	10/99	Original version.

## Free Manuals Download Website

<http://myh66.com>

<http://usermanuals.us>

<http://www.somanuals.com>

<http://www.4manuals.cc>

<http://www.manual-lib.com>

<http://www.404manual.com>

<http://www.luxmanual.com>

<http://aubethermostatmanual.com>

Golf course search by state

<http://golfingnear.com>

Email search by domain

<http://emailbydomain.com>

Auto manuals search

<http://auto.somanuals.com>

TV manuals search

<http://tv.somanuals.com>