



3500 Pelco Way,  
Clovis, CA 93612-5699  
USA

In North America & Canada:  
Tel (800) 289-9100  
FAX (800) 289-9150

International Customers:  
Tel +1 (559) 292-1981  
FAX +1 (559) 348-1120

[www.pelco.com](http://www.pelco.com)

## C240M-D (3/00) MM1000 & MM2000 Monitor Mounts

### IMPORTANT SAFEGUARDS AND WARNINGS

Prior to installation and use of this product, the following WARNINGS should be observed.

1. Installation and servicing should only be done by qualified service and installation personnel.
2. Installation shall be done in accordance with all local and national electrical and mechanical codes utilizing only approved materials.
3. Use only installation methods and materials capable of supporting four times the maximum specified load.
4. Use stainless steel hardware to fasten the mount to outdoor surfaces.
5. To prevent damage from water leakage when installing a mount outdoors on a roof or wall, apply sealant around the bolt holes between the mount and mounting surface.

The product and/or manual may bear the following marks:



This symbol indicates that there are important operating and maintenance instructions in the literature accompanying this unit.

Please thoroughly familiarize yourself with the information in this manual prior to installation and operation.

### DESCRIPTION

PELCO's MM1000 wall mount for vertical mounting and MM2000 pedestal mount for horizontal mounting are designed to hold a 9-inch or 12-inch CCTV monitor weighing up to 40 lb (18 kg). These mounts are also suitable for mounting other devices such as speakers.

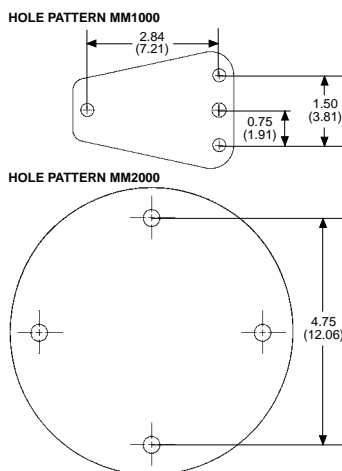


Figure 1. Mounting Dimensions

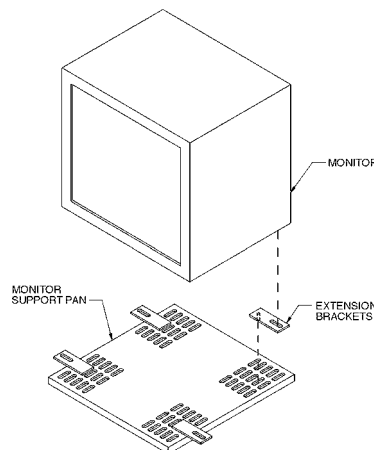


Figure 2. Attaching Support Pan Extension Brackets

### INSTALLATION

1. Drill holes in the mounting surface according to Figure 1 and attach the mount securely with suitable fasteners of minimum 1/4-inch diameter (not supplied).
2. Remove the rubber feet from the bottom of the monitor. Place the monitor on the monitor support pan and secure the monitor to the pan. (The screws previously used to secure the rubber feet to the bottom of the monitor may be used.)
3. If the monitor mounting hole pattern does not align with slots in support pan, use extension brackets provided and attach them to monitor base (see Figure 2). Then place monitor and brackets onto support pan and tighten nuts (provided) to secure monitor.
4. To adjust pan rotation (360 degrees), loosen cap nut or hex head bolt. Set in desired direction and tighten cap nut or hex head bolt. To adjust tilt angle of monitor support pan (MM1000 adjusts 10 degrees up and 90 degrees down; MM2000 adjusts 45 degrees up or down), loosen hex head bolts. Lock in desired angle position by tightening hex head bolts.

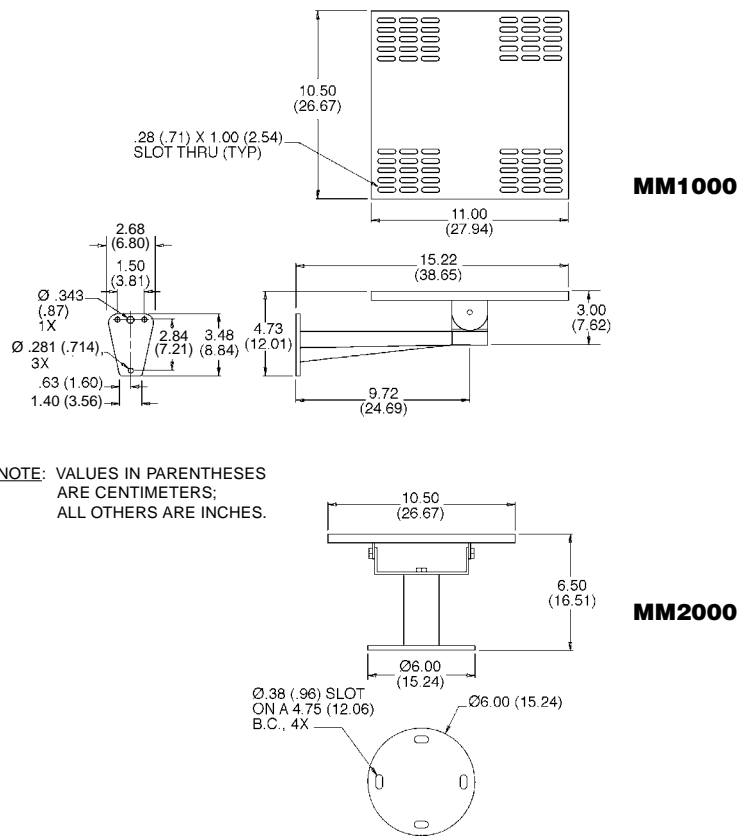


Figure 3. MM1000/MM2000 Dimensions

**MECHANICAL**

- Pan Adjustment: Unlimited 360°
- Tilt Adjustment: MM1000 — +10°, -90°  
MM2000 — ±45°
- Monitor Mounting: Multiple slotted holes in monitor support pan (4 mounting screws, not supplied)
- Locking Method: 3/8-16 Allen head bolts
- Mounting Method: Secure to ceiling, wall, or horizontal surface with three 1/4-20 fasteners or one 5/16-inch and one 1/4-inch fastener (not supplied) (MM1000) or four 1/4-20 fasteners (MM2000)

**GENERAL**

- Construction: Aluminum
- Dimensions: See Figure 3
- Maximum Load: 40 lb (18 kg)
- Weight: MM1000 — 2.8 lb (1.3 kg)  
MM2000 — 5.0 lb (2.3 kg)
- Shipping Weight: MM1000 — 4.0 lb (1.8 kg)  
MM2000 — 7.0 lb (3.2 kg)

**WARRANTY AND RETURN INFORMATION**

**WARRANTY**

Pelco will repair or replace, without charge, any merchandise proved defective in material or workmanship for a period of one year after the date of shipment.

Exceptions to this warranty are as noted below:

- Five years on FT/FR8000 Series fiber optic products.
- Three years on Genex® Series products (multiplexers, server, and keyboard).
- Three years on Camclosure® and fixed camera models, except the CC3701H-2, CC3701H-2X, CC3751H-2, CC3651H-2X, MC3651H-2, and MC3651H-2X camera models, which have a five-year warranty.
- Two years on standard motorized or fixed focal length lenses.
- Two years on Legacy®, CM6700/CM6800/CM9700 Series matrix, and DF5/DF8 Series fixed dome products.
- Two years on Spectra®, Esprit®, ExSite™, and PS20 scanners, including when used in continuous motion applications.
- Two years on Esprit® and WW5700 Series window wiper (excluding wiper blades).
- Eighteen months on DX Series digital video recorders, NVR300 Series network video recorders, and Endura™ Series distributed network-based video products, months on DX Series digital video recorders, NVR300 Series network video recorders, Endura™ Series distributed network-based video products, and TW3000 Series twisted pair transmission products.
- One year (except video heads) on video cassette recorders (VCRs). Video heads will be covered for a period of six months.
- Six months on all pan and tilts, scanners or preset lenses used in continuous motion applications (that is, preset scan, tour and auto scan modes).

Pelco will warrant all replacement parts and repairs for 90 days from the date of Pelco shipment. All goods requiring warranty repair shall be sent freight prepaid to Pelco, Clovis, California. Repairs made necessary by reason of misuse, alteration, normal wear, or accident are not covered under this warranty.

Pelco assumes no risk and shall be subject to no liability for damages or loss resulting from the specific use or application made of the Products. Pelco's liability for any claim, whether based on breach of contract, negligence, infringement of any rights of any party or product liability, relating to the Products shall not exceed the price paid by the Dealer to Pelco for such Products. In no event will Pelco be liable for any special, incidental or consequential damages (including loss of use, loss of profit and claims of third parties) however caused, whether by the negligence of Pelco or otherwise.

The above warranty provides the Dealer with specific legal rights. The Dealer may also have additional rights, which are subject to variation from state to state.

If a warranty repair is required, the Dealer must contact Pelco at (800) 289-9100 or (559) 292-1981 to obtain a Repair Authorization number (RA), and provide the following information:

1. Model and serial number
2. Date of shipment, P.O. number, Sales Order number, or Pelco invoice number
3. Details of the defect or problem

If there is a dispute regarding the warranty of a product which does not fall under the warranty conditions stated above, please include a written explanation with the product when returned.

Method of return shipment shall be the same or equal to the method by which the item was received by Pelco.

**RETURNS**

In order to expedite parts returned to the factory for repair or credit, please call the factory at (800) 289-9100 or (559) 292-1981 to obtain an authorization number (CA number if returned for credit, and RA number if returned for repair).

All merchandise returned for credit may be subject to a 20% restocking and refurbishing charge.

Goods returned for repair or credit should be clearly identified with the assigned CA or RA number and freight should be prepaid. Ship to the appropriate address below.

If you are located within the continental U.S., Alaska, Hawaii or Puerto Rico, send goods to:

Service Department  
Pelco  
3500 Pelco Way  
Clovis, CA 93612-5699

If you are located outside the continental U.S., Alaska, Hawaii or Puerto Rico and are instructed to return goods to the USA, you may do one of the following:

If the goods are to be sent by a COURIER SERVICE, send the goods to:

Pelco  
3500 Pelco Way  
Clovis, CA 93612-5699 USA

If the goods are to be sent by a FREIGHT FORWARDER, send the goods to:

Pelco c/o Expeditors  
473 Eccles Avenue  
South San Francisco, CA 94080 USA  
Phone: 650-737-1700  
Fax: 650-737-0933

**REVISION HISTORY**

Manual #	Date	Comments
C240M-D	3/00	Revised to new format. Revised installation step 4 per ECO# 00-5634.

## Free Manuals Download Website

<http://myh66.com>

<http://usermanuals.us>

<http://www.somanuals.com>

<http://www.4manuals.cc>

<http://www.manual-lib.com>

<http://www.404manual.com>

<http://www.luxmanual.com>

<http://aubethermostatmanual.com>

Golf course search by state

<http://golfingnear.com>

Email search by domain

<http://emailbydomain.com>

Auto manuals search

<http://auto.somanuals.com>

TV manuals search

<http://tv.somanuals.com>