



3500 Pelco Way,
Clovis, CA 93612-5699
USA

In North America & Canada:
Tel (800) 289-9100
FAX (800) 289-9150

International Customers:
Tel +1(559) 292-1981
FAX +1(559) 348-1120

www.pelco.com

C258M-A (4/00)

WM3026

Heavy-Duty Wall Mount

IMPORTANT SAFEGUARDS AND WARNINGS

Prior to installation and use of this product, the following WARNINGS should be observed.

1. Installation and servicing should only be done by qualified service and installation personnel.
2. Installation shall be done in accordance with all local and national electrical and mechanical codes utilizing only approved materials.
3. Use only installation methods and materials capable of supporting four times the maximum specified load.
4. Use stainless steel hardware to fasten the mount to outdoor surfaces.
5. To prevent damage from water leakage when installing a mount outdoors on a roof or wall, apply sealant around the bolt holes between the mount and mounting surface.

The product and/or manual may bear the following marks:



This symbol indicates that there are important operating and maintenance instructions in the literature accompanying this unit.

Please thoroughly familiarize yourself with the information in this manual prior to installation and operation.

DESCRIPTION

The WM3026 Wall Mount will support a heavy-duty enclosure and/or pan/tilt. The wall mount will hold loads up to 300 pounds (136.08 kg) when directly attached to any vertical load-bearing structure.

INSTALLATION

Mounting to Surface

To install the WM3026 perform the following steps:

1. Determine the mounting location. The mounting surface should be able to support four times the combined weight of the mount, pan/ tilt, camera and enclosure.
2. Use the flanged end of the WM3026 as a template and mark the six fastener hole positions onto the mounting surface. Set the WM3026 mount to the side and prepare the holes for the fasteners.
3. Use one of the following methods to prepare the wiring/cabling for power. Refer to Figure 1.
 - a. Thread wiring/cabling through the mount arm and exit through the top feedthrough hole.
 - b. Thread the wiring/cabling through one of the 3/4-inch NPT holes on the side of the mount arm and out the top feedthrough hole. Flexible, metal conduit connectors can be used.
 - c. Bypass the mount and directly connect wiring to the camera, enclosure and/or pan/tilt. Fold the wiring out of the way and secure.
4. Position the WM3026 mount over the mounting holes. Secure with a minimum of six, 3/8-inch fasteners of appropriate length (not supplied). If you install the WM3026 outdoors, seal the fastener holes with an appropriate sealant to prevent water damage. Apply the sealant between the mount and the mounting surface.

Camera/Enclosure Mounting

To install the camera and/or enclosure directly to the mount, refer to Figure 1 and do the following:

1. Center the camera and/or enclosure on the tilt table.
2. Attach the camera and/or enclosure to the tilt table with 1/4-20 flat head fasteners (not provided).
3. Connect wiring/cablings to the camera and/or enclosure. Refer to the manual supplied with the equipment for more information.
4. Loosen the hex head bolts on the top and lower brackets of the tilt table. Adjust the pan and tilt to the desired settings. Tighten bolts and lock into place.

Pan/Tilt and Camera/Enclosure Mounting

To install the pan/tilt, camera and/or enclosure directly to the mount, refer to Figure 1 and perform the following steps:

1. Remove the tilt table from the WM3026.
2. Center the pan/tilt, camera and/or enclosure on the pan/tilt adapter. Position as needed to align mounting holes. Secure the load to the mount using appropriate fasteners (not supplied). Refer to the manuals supplied with the equipment for more information.
3. Connect wiring /cabling to the camera, enclosure and pan/tilt. For proper installation of wiring/cabling, refer to the manuals supplied with the equipment. Be sure to leave an adequate loop of cables to prevent binding and/or strain where applicable.

Receiver Mounting

To mount a receiver to the gusset of the WM3026 refer to Figure 1 and do the following:

1. Line up the mounting holes on the receiver with the mounting holes on the gusset. *Mounting holes are six inches apart. If the receiver's mounting holes are **not** six inches apart, attach it to a flat, vertical surface. Refer to the manual supplied with the receiver.*
2. Attach the receiver to the gusset using 1/4-inch fasteners (not supplied) of the appropriate length.
3. Use the four cable tie holes located on the bottom edge of the gusset (cable ties not included) and secure the wiring/cablings.

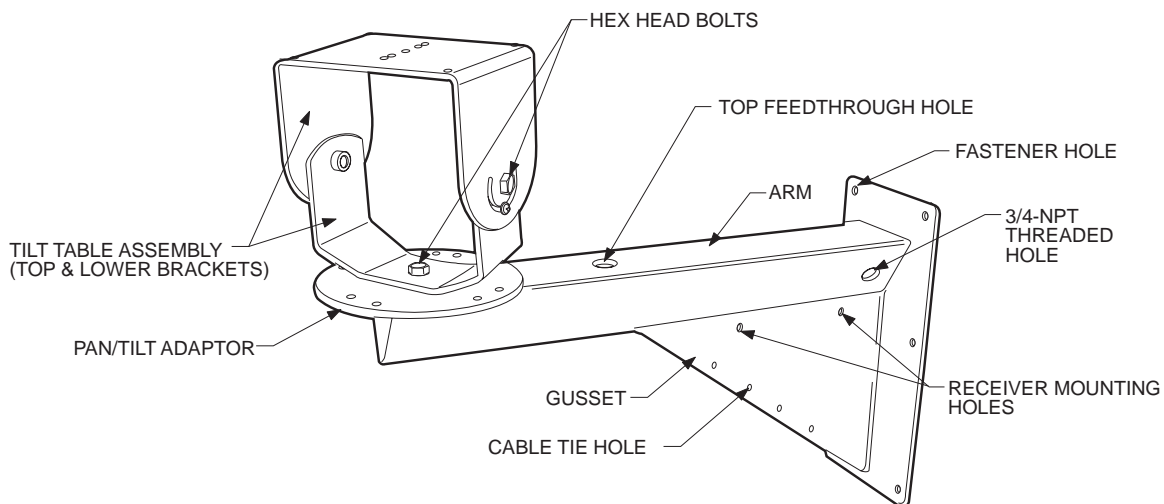


Figure 1. WM3026 Heavy-Duty Wall Mount

MAINTENANCE

Regularly scheduled maintenance is not required. If the mount has been installed outdoors, periodically check the sealant around the bolt holes for water damage.

SPECIFICATIONS

GENERAL

Construction: 0.25-inch (.63 cm) aluminum
Finish: Gray polyester powder coat
Mounting Method: Six 0.413-inch (1.05 cm) holes on rear surface
Maximum Load: 300 lb (136.08 kg)
Environment: Indoor/outdoor
Operating Range: 32° to 120°F (0° to 49°C)
Weight: 15.6 lb (7.1 kg)
Dimensions: See Figure 2

MECHANICAL

Pan Adjustment 360°
Tilt Adjustment $\pm 90^\circ$
Cable Entry: One cable entry hole on top of mount arm. Two 3/4-inch NPT threaded holes (one on each side); can be used for conduit. Three hole plugs provided to cover unused holes.
Suggested Mounting Method: Secure to wall with six 3/8-inch diameter fasteners of suitable size (not supplied)

(Design and product specifications subject to change without notice.)

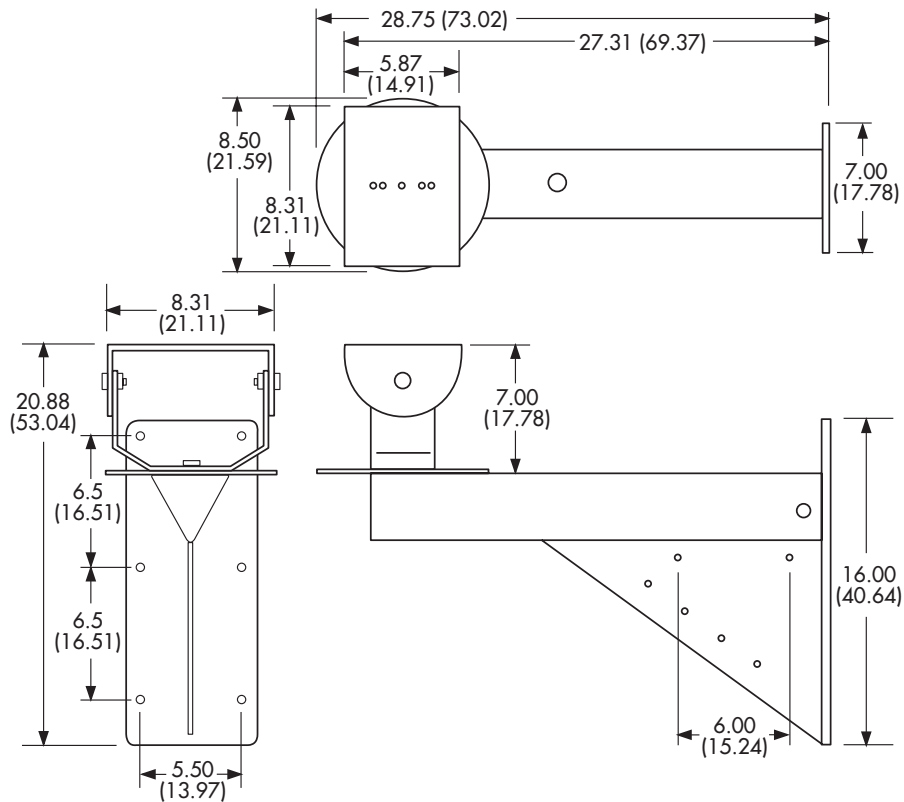


Figure 2. WM3026 Dimension Drawing

WARRANTY AND RETURN INFORMATION

WARRANTY

Pelco will repair or replace, without charge, any merchandise proved defective in material or workmanship for a period of one year after the date of shipment.

Exceptions to this warranty are as noted below:

- Five years on FT/FR8000 Series fiber optic products.
- Three years on Genex® Series products (multiplexers, server, and keyboard).
- Three years on Camclosure® and fixed camera models, except the CC3701H-2, CC3701H-2X, CC3751H-2, CC3651H-2X, MC3651H-2, and MC3651H-2X camera models, which have a five-year warranty.
- Two years on standard motorized or fixed focal length lenses.
- Two years on Legacy®, CM6700/CM6800/CM9700 Series matrix, and DF5/DF8 Series fixed dome products.
- Two years on Spectra®, Esprit®, ExSite™, and PS20 scanners, including when used in continuous motion applications.
- Two years on Esprit® and WW5700 Series window wiper (excluding wiper blades).
- Eighteen months on DX Series digital video recorders, NVR300 Series network video recorders, and Endura™ Series distributed network-based video products.
- Sixteen months on DX Series digital video recorders, NVR300 Series network video recorders, Endura™ Series distributed network-based video products, and TW3000 Series twisted pair transmission products.
- One year (except video heads) on video cassette recorders (VCRs). Video heads will be covered for a period of six months.
- Six months on all pan and tilts, scanners or preset lenses used in continuous motion applications (that is, preset scan, tour and auto scan modes).

Pelco will warrant all replacement parts and repairs for 90 days from the date of Pelco shipment. All goods requiring warranty repair shall be sent freight prepaid to Pelco, Clovis, California. Repairs made necessary by reason of misuse, alteration, normal wear, or accident are not covered under this warranty.

Pelco assumes no risk and shall be subject to no liability for damages or loss resulting from the specific use or application made of the Products. Pelco's liability for any claim, whether based on breach of contract, negligence, infringement of any rights of any party or product liability, relating to the Products shall not exceed the price paid by the Dealer to Pelco for such Products. In no event will Pelco be liable for any special, incidental or consequential damages (including loss of use, loss of profit and claims of third parties) however caused, whether by the negligence of Pelco or otherwise.

The above warranty provides the Dealer with specific legal rights. The Dealer may also have additional rights, which are subject to variation from state to state.

If a warranty repair is required, the Dealer must contact Pelco at (800) 289-9100 or (559) 292-1981 to obtain a Repair Authorization number (RA), and provide the following information:

1. Model and serial number
2. Date of shipment, P.O. number, Sales Order number, or Pelco invoice number
3. Details of the defect or problem

If there is a dispute regarding the warranty of a product which does not fall under the warranty conditions stated above, please include a written explanation with the product when returned.

Method of return shipment shall be the same or equal to the method by which the item was received by Pelco.

RETURNS

In order to expedite parts returned to the factory for repair or credit, please call the factory at (800) 289-9100 or (559) 292-1981 to obtain an authorization number (CA number if returned for credit, and RA number if returned for repair).

All merchandise returned for credit may be subject to a 20% restocking and refurbishing charge.

Goods returned for repair or credit should be clearly identified with the assigned CA or RA number and freight should be prepaid. Ship to the appropriate address below.

If you are located within the continental U.S., Alaska, Hawaii or Puerto Rico, send goods to:

Service Department
Pelco
3500 Pelco Way
Clovis, CA 93612-5699

If you are located outside the continental U.S., Alaska, Hawaii or Puerto Rico and are instructed to return goods to the USA, you may do one of the following:

If the goods are to be sent by a COURIER SERVICE, send the goods to:

Pelco
3500 Pelco Way
Clovis, CA 93612-5699 USA

If the goods are to be sent by a FREIGHT FORWARDER, send the goods to:

Pelco c/o Expeditors
473 Eccles Avenue
South San Francisco, CA 94080 USA
Phone: 650-737-1700
Fax: 650-737-0933

REVISION HISTORY

Manual #	Date	Comments
C258M	7/97	Original version.
C258M-A	4/00	Updated manual to new format.

Free Manuals Download Website

<http://myh66.com>

<http://usermanuals.us>

<http://www.somanuals.com>

<http://www.4manuals.cc>

<http://www.manual-lib.com>

<http://www.404manual.com>

<http://www.luxmanual.com>

<http://aubethermostatmanual.com>

Golf course search by state

<http://golfingnear.com>

Email search by domain

<http://emailbydomain.com>

Auto manuals search

<http://auto.somanuals.com>

TV manuals search

<http://tv.somanuals.com>