



by **Schneider** Electric

INSTALLATION

PSKIT8100 Pressure Sensor Option

**For EH8100 Series
Pressurized Camera Enclosure**

C1445M-E (2/09)

Contents

Important Safety Instructions	4
Description	5
Enclosure Disassembly	5
Pressure Sensor Installation	6
Enclosure Reassembly and Recharging	8
Reassembly	8
Recharging	8
Power Connection	8

List of Illustrations

1	EH8100 Series Enclosure: Rear View	5
2	EH8100 Series Enclosure: Rear Plate, Inside View	6
3	EH8100 Series Enclosure: Wiring Diagram	7

Important Safety Instructions

1. Read these instructions.
2. Keep these instructions.
3. Heed all warnings.
4. Follow all instructions.
5. Refer all servicing to qualified service personnel. Servicing is required when the apparatus has been damaged in any way, such as power-supply cord or plug is damaged, liquid has been spilled or objects have fallen into the apparatus, the apparatus has been exposed to rain or moisture, does not operate normally, or has been dropped.
6. Unless the unit is specifically marked as a NEMA Type 3, 3R, 3S, 4, 4X, 6, or 6P enclosure, it is designed for indoor use only and it must not be installed where exposed to rain and moisture.
7. Only use replacement parts recommended by Pelco.
8. After replacement/repair of this unit's electrical components, conduct a resistance measurement between the line and exposed parts to verify the exposed parts have not been connected to the line circuitry.

Description

The PSKIT8100 pressure sensor is designed for use with the EH8100 Series enclosure. The sensor ensures that enclosure pressure stays at an acceptable operation level. The PSKIT8100 provides contact closure when the internal pressure of the enclosure falls below the required 5 psi.

Installation

ENCLOSURE DISASSEMBLY

1. Disconnect power to the enclosure.
2. Remove the ground wire from the ground stud on the back of the enclosure.
3. Remove the electrical connector from the rear of the enclosure. Turn the outer ring counterclockwise and pull off the mating portion of the connector.
4. You may remove the enclosure from its mount to make the installation process easier.
5. Remove the cap from the Schrader valve (refer to Figure 1).
6. Relieve internal enclosure pressure by depressing the center stem of the Schrader valve.



WARNING: Pressure must be released prior to opening the enclosure or personal injury may result.

7. Remove the rear plate of the enclosure (refer to Figure 1) and perform the following steps:
 - a. Use a screwdriver to pry the end of the spiral retaining ring from the retaining ring groove.
 - b. Pull on the T-handle to remove the rear plate from the housing.

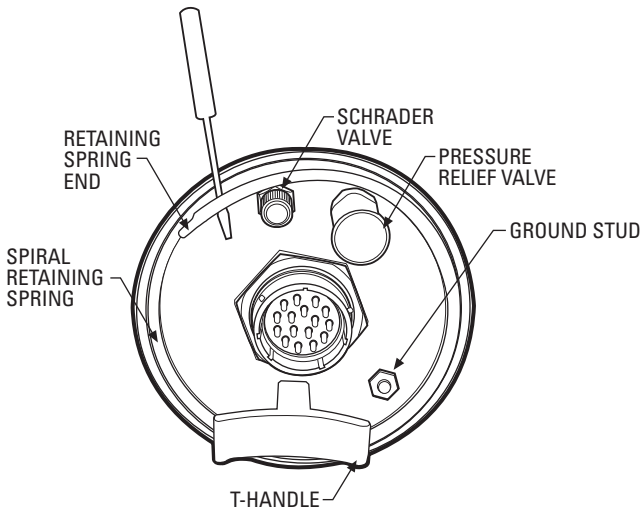


Figure 1. EH8100 Series Enclosure: Rear View

Pressure Sensor Installation

To install the pressure sensor:

1. Remove the screw located inside the top portion of the enclosure's rear plate (refer to Figure 2). Insert the pressure sensor tube fitting into the hole.
2. Loosen the camera sled mounting screws (refer to Figure 2). Slide the sensor bracket under the mounting screws and ground lug. Tighten the screws.
3. Connect the wire leads (refer to Figure 2 and Figure 3 on page 7):
 - a. **Green/white wire:** Insert the push-on lug into the connector on the pressure sensor assembly. Connect the spade lug to the power terminal block under the AC NEUT wire.
 - b. **White/green wire:** Insert the push-on lug into the connector on the pressure sensor assembly. Connect the spade lug to the power terminal block above the AC LINE wire.

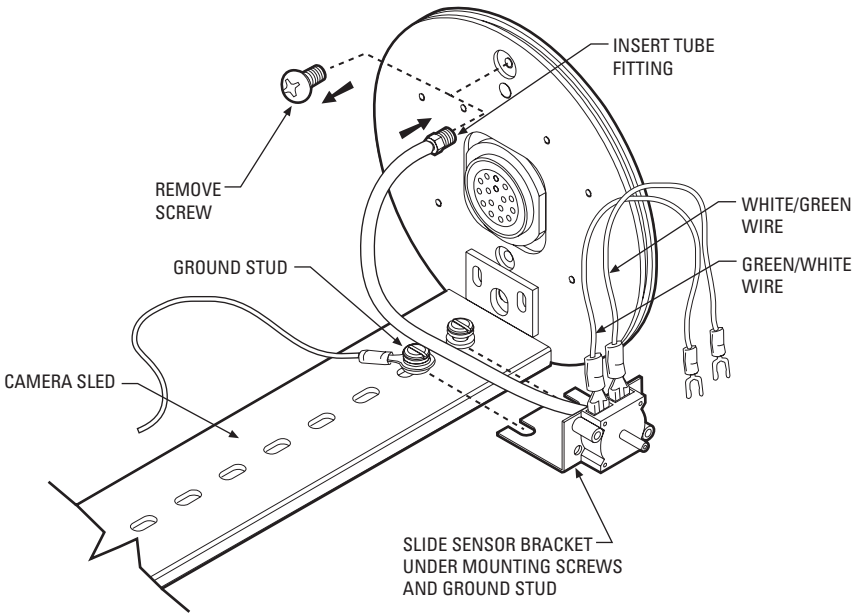


Figure 2. EH8100 Series Enclosure: Rear Plate, Inside View

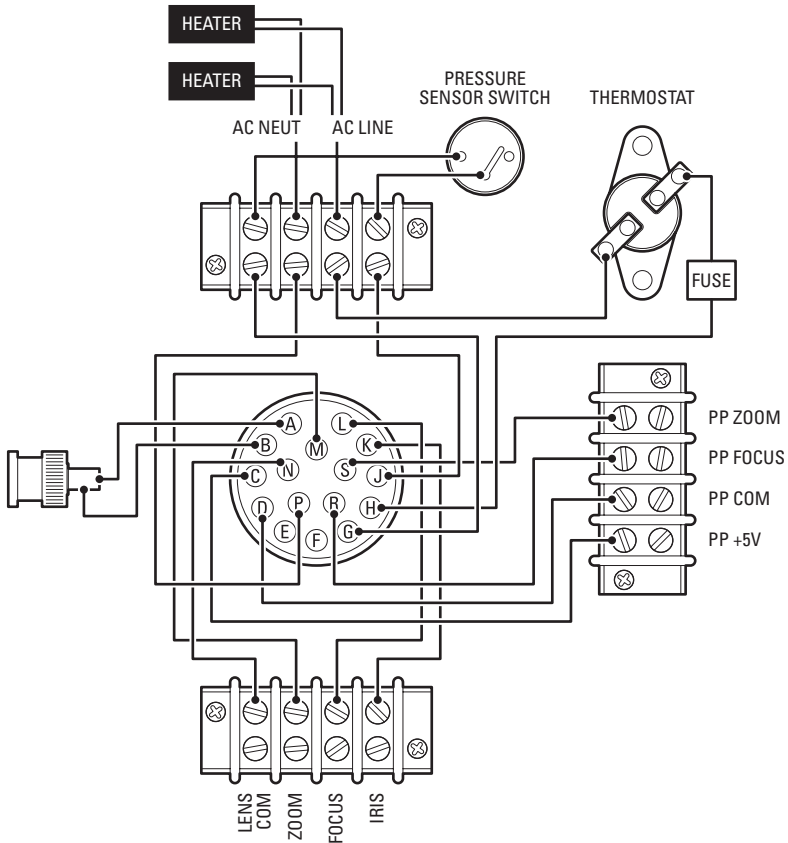


Figure 3. EH8100 Series Enclosure: Wiring Diagram

NOTES:

- Consult the C1420M manual section dealing with model number listings for the wattage and number of heaters for the particular model that you are using.
- Terminal block only on the EH8106. The EH8104 does not have a terminal block for lens presets.

Table A. Pin Numbers and Descriptions

PIN NO.	FUNCTION	COLOR
A	VIDEO	COAX CORE
B	VIDEO	COAX SHIELD
C	PP +5V	BLK/WHT
D	PP COM	RED/WHT
E	CAMERA AC LINE	BLU
F	CAMERA AC NEUT	VIO
G	PS SWITCH	GRN/WHT
H	AC LINE	BLK

PIN NO.	FUNCTION	COLOR
J	PS SWITCH	WHT/GRN
K	IRIS	BRN
L	FOCUS	RED
M	ZOOM	ORG
N	LENS	COM YEL
P	AC NEUTRAL	WHT
R	PP FOCUS	YEL/WHT
S	PP ZOOM	GRY/WHT

Enclosure Reassembly and Recharging

REASSEMBLY

When the enclosure is disassembled, it should be recharged after reassembly and prior to installation. Recharging requires the use of a Pelco EH8000RKIT recharge kit (or equivalent) and applicable O-ring kit, part EH8004ORKIT or EH8006ORKIT.

To prepare the enclosure for recharging:

1. Once the enclosure has been disassembled, remove the O-ring from the rear plate and install a new O-ring in the O-ring groove.
2. After installing the new O-ring, smear a liberal amount of O-ring lubricant (supplied) on the exterior surface of the O-ring and rear plate. Replace the desiccant bag in the enclosure with the new one (supplied).
3. Slide the camera sled back into the body making sure the front lip of the sled is under the retaining bracket of the enclosure. When fully installed, the rear plate will fit firmly into the rear opening of the housing, and the retaining groove will be fully visible.
4. Reinstall the spiral retaining ring in the groove in the rear of the enclosure.

RECHARGING

1. Pressurize the inside of the enclosure using the EH8000RKIT recharge kit. Connect the regulator to the tank by threading the nut into the socket of the tank valve. Tighten with a wrench. This regulator is factory preset for 12 psi (83 kPa).
2. Once the regulator has been secured to the tank, open the regulator valve first and then the tank valve.
3. Remove the Schrader valve cap (refer to Figure 1 on page 5). Affix the self-holding tire chuck to the Schrader valve.
4. To reduce the purge time necessary to remove oxygen from the enclosure, position it so that the window is pointing up.
5. Remove the plastic cap on the pressure relief valve on the rear of the enclosure. Use a small screwdriver to hold the valve open. Allow the nitrogen to flow through the enclosure until the humidity indicator registers the lowest humidity level, changing color from pink to blue. (The humidity indicator can be viewed through the front window of the enclosure by looking at the inside top of the enclosure.) Once the humidity indicator registers the lowest level, remove the screwdriver and allow nitrogen to continue to flow into the enclosure until you no longer hear the flow of nitrogen from the tank to the enclosure.
6. Remove the tire chuck from the Schrader valve. Replace the Schrader valve and pressure relief valve caps.

POWER CONNECTION

1. Reconnect the ground wire to the ground stud on the back of the enclosure.
2. Reconnect the electrical connector and turn on power.

REVISION HISTORY

Manual #	Date	Comments
C1445M	12/95	Original version.
C1445M-A	5/96	Updated to include corrections to reference callouts in Section 3.4. Updated Figure 3. All changes in response to ECO# 95-220 and 96-131.
C1445M-B	5/96	Revised to include updated Figures 2 and 4.
C1445M-C	8/00	Revised installation instructions and wiring diagram layout. Updated manual to new format.
C1445M-D	11/04	Factory preset for regulator changed to 12 psi per ECO#04-9807. Updated Important Safety Instructions, Warranty and layout.
C1445M-E	2/09	Revised Figure 3 and the reassembly instructions.

Pelco, the Pelco logo, Camclosure, Digital Sentry, Endura, Esprit, ExSite, Genex, Intelli-M, Legacy, and Spectra are registered trademarks of Pelco, Inc. © Copyright 2009, Pelco, Inc. All rights reserved.

DLP is a registered trademark of Texas Instruments Incorporated.

All product names and services identified throughout this document are trademarks or registered trademarks of their respective companies.

The absence of a trademark or registered trademark from this document does not constitute a waiver of intellectual property rights.

PRODUCT WARRANTY AND RETURN INFORMATION

WARRANTY

Pelco will repair or replace, without charge, any merchandise proved defective in material or workmanship for a period of one year after the date of shipment.

Exceptions to this warranty are as noted below:

- Five years:
 - Fiber optic products
 - TW3000 Series unshielded twisted pair (UTP) transmission products
 - CC3701H-2, CC3701H-2X, CC3751H-2, CC3651H-2X, MC3651H-2, and MC3651H-2X camera models
- Three years:
 - Pelco-branded fixed camera models (CCC1390H Series, C10DN Series, C10CH Series, and IP3701H Series)
 - EH1500 Series enclosures
 - Spectra[®] IV products (including Spectra IV IP)
 - Camclosure[®] Series (IS, ICS, IP) integrated camera systems
 - DX Series digital video recorders, DVR5100 Series digital video recorders, Digital Sentry[®] Series hardware products, DVX Series digital video recorders, and NVR300 Series network video recorders
 - Endura[®] Series distributed network-based video products
 - Genex[®] Series products (multiplexers, server, and keyboard)
 - PMCL200/300/400 Series LCD monitors
- Two years:
 - Standard varifocal, fixed focal, and motorized zoom lenses.
 - DF5/DF8 Series fixed dome products
 - Legacy[®] Series integrated positioning systems
 - Spectra III[™], Spectra Mini, Spectra Mini IP, Esprit[®], ExSite[®], and PS20 scanners, including when used in continuous motion applications.
 - Esprit Ti and TI2500 Series thermal imaging products
 - Esprit and VVV5700 Series window wiper (excluding wiper blades).
 - CM6700/CM6800/CM9700 Series matrix
 - Digital Light Processing (DLP[®]) displays (except lamp and color wheel). The lamp and color wheel will be covered for a period of 90 days. The air filter is not covered under warranty.
 - Intelli-M[®] eIDC controllers
- One year:
 - Video cassette recorders (VCRs), except video heads. Video heads will be covered for a period of six months.
- Six months:
 - All pan and tilts, scanners, or preset lenses used in continuous motion applications (preset scan, tour, and auto scan modes).

Pelco will warrant all replacement parts and repairs for 90 days from the date of Pelco shipment. All goods requiring warranty repair shall be sent freight prepaid to a Pelco designated location. Repairs made necessary by reason of misuse, alteration, normal wear, or accident are not covered under this warranty.

Pelco assumes no risk and shall be subject to no liability for damages or loss resulting from the specific use or application made of the Products. Pelco's liability for any claim, whether based on breach of contract, negligence, infringement of any rights of any party or product liability, relating to the Products shall not exceed the price paid by the Dealer to Pelco for such Products. In no event will Pelco be liable for any special, incidental, or consequential damages (including loss of use, loss of profit, and claims of third parties) however caused, whether by the negligence of Pelco or otherwise.

The above warranty provides the Dealer with specific legal rights. The Dealer may also have additional rights, which are subject to variation from state to state.

If a warranty repair is required, the Dealer must contact Pelco at (800) 289-9100 or (559) 292-1981 to obtain a Repair Authorization number (RA), and provide the following information:

1. Model and serial number
2. Date of shipment, P.O. number, sales order number, or Pelco invoice number
3. Details of the defect or problem

If there is a dispute regarding the warranty of a product that does not fall under the warranty conditions stated above, please include a written explanation with the product when returned.

Method of return shipment shall be the same or equal to the method by which the item was received by Pelco.


RETURNS

To expedite parts returned for repair or credit, please call Pelco at (800) 289-9100 or (559) 292-1981 to obtain an authorization number (CA number if returned for credit, and RA number if returned for repair) and designated return location.

All merchandise returned for credit may be subject to a 20 percent restocking and refurbishing charge.

Goods returned for repair or credit should be clearly identified with the assigned CA or RA number and freight should be prepaid

12-23-08

 The materials used in the manufacture of this document and its components are compliant to the requirements of Directive 2002/95/EC.



This equipment contains electrical or electronic components that must be recycled properly to comply with Directive 2002/96/EC of the European Union regarding the disposal of waste electrical and electronic equipment (WEEE). Contact your local dealer for procedures for recycling this equipment.

PELCO

by **Schneider** Electric

www.pelco.com

Pelco, Inc. Worldwide Headquarters 3500 Pelco Way Clovis, California 93612 USA
USA & Canada Tel (800) 289-9100 Fax (800) 289-9150
International Tel +1 (559) 292-1981 Fax +1 (559) 348-1120

Free Manuals Download Website

<http://myh66.com>

<http://usermanuals.us>

<http://www.somanuals.com>

<http://www.4manuals.cc>

<http://www.manual-lib.com>

<http://www.404manual.com>

<http://www.luxmanual.com>

<http://aubethermostatmanual.com>

Golf course search by state

<http://golfingnear.com>

Email search by domain

<http://emailbydomain.com>

Auto manuals search

<http://auto.somanuals.com>

TV manuals search

<http://tv.somanuals.com>