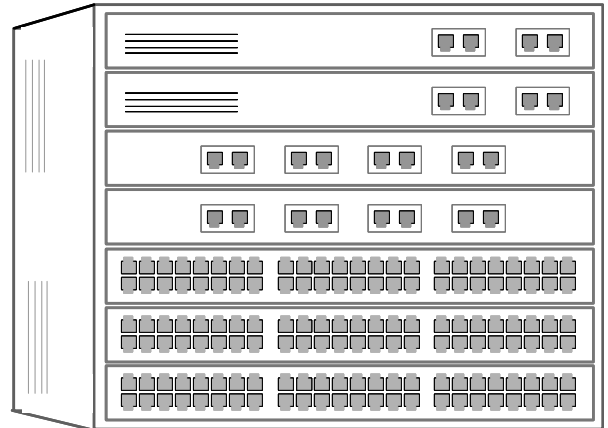


# 10 Gigabit Ethernet Switching

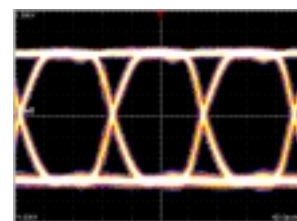
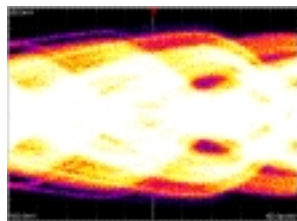
PMC-Sierra provides exceptional signal integrity SERDES and Retimer devices for Enterprise Switch backplanes and line cards

- Guaranteed Jitter Performance
- Extremely low bit error rates
- Widely deployed proven devices
- Low power and small package size
- Industrial temperature range



Enterprise Ethernet Switch

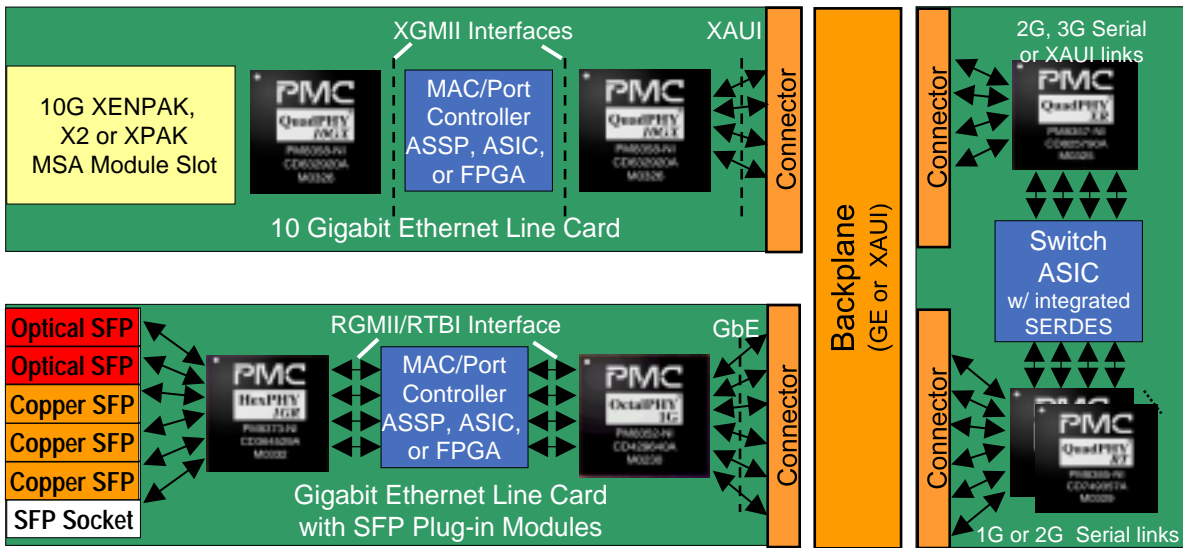
Device	Description
QuadPHY 10GX	• Redundant 10GE/10GFC XGMII to XAUI SERDES
OctalPHY II	• 10GE XGMII to XAUI SERDES
QuadPHY XR	• 4 Port GE Retimer for link extension and standards compliance



High-Performance Gigabit Serial Retiming via the QuadPHY XR

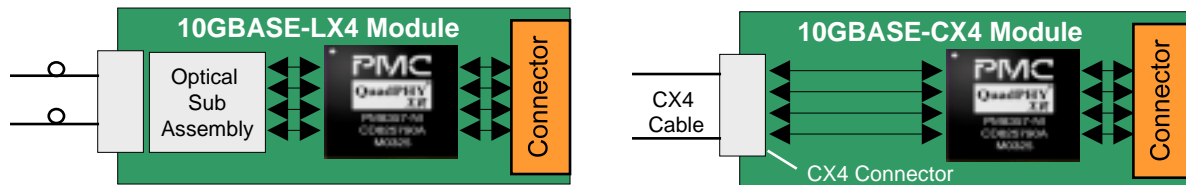
Feature	System Benefit
Redundant High-Speed Serial I/O	• Redundant 10GE/10GFC XGMII to XAUI SERDES
Guaranteed Jitter Performance	• Enables extremely low bit error rates critical for system performance across process and system environment (temperature, voltage) variants
XAUI Retiming	• Extend backplane distances and improve system signal integrity
RX Equalization	• 10GE XGMII to XAUI SERDES
TX Pre-Emphasis	• 10GE XAUI backplane retimer and 10GBASE-CX4 driver

### Modular Gigabit Ethernet and 10 Gigabit Ethernet Switch



### 10G XENPAK, X2, XPAK, or IBPAK Modules

For IEEE 10GBASE-LX4, 10GBASE-CX4, 10G Fibre Channel or Infiniband



### Contact Information:

[www.pmc-sierra.com/contactSales](http://www.pmc-sierra.com/contactSales)

### SERDES / Retimer Quick Links

For more information on PMC-Sierra's Portfolio of SerDes and Retimer devices visit:

[www.pmc-sierra.com/serdes](http://www.pmc-sierra.com/serdes)

Download Data Sheets, Application Notes, White Papers



REGISTERED

**PMC**  
PMC-SIERRA

Thinking you can build on

## Free Manuals Download Website

<http://myh66.com>

<http://usermanuals.us>

<http://www.somanuals.com>

<http://www.4manuals.cc>

<http://www.manual-lib.com>

<http://www.404manual.com>

<http://www.luxmanual.com>

<http://aubethermostatmanual.com>

Golf course search by state

<http://golfingnear.com>

Email search by domain

<http://emailbydomain.com>

Auto manuals search

<http://auto.somanuals.com>

TV manuals search

<http://tv.somanuals.com>