



polk™

TSx series

owners manual

550T, 440T, 330T, 220B, 110B, 250c & 150c



English

Important Safety Instructions

This product was designed and manufactured to meet strict quality and safety standards. There are, however, some installation and operation precautions which you should be particularly aware of.

1. Read Instructions. All the safety and operating instructions should be read before the system is operated.
2. Retain Instructions. The safety and operating instructions should be retained for future reference.
3. Heed Warnings. All warnings on the appliances and in the operating instructions should be adhered to.
4. Follow Instructions. All operating and use instructions should be followed.
5. Cleaning. Unplug the appliance from wall outlet before cleaning. Do not use liquid cleaners or aerosol cleaners. Use a damp cloth for cleaning.
6. Attachments. Do not use attachments not recommended by the product manufacturer as they may cause hazards.
7. Water and Moisture. Do not use these appliances near water—for example, near a bath tub, washbowl, kitchen sink, or laundry tub, in a wet basement, or near a swimming pool, and the like.
8. Accessories. Do not place these appliances on an unstable cart, stand, tripod, bracket, or table. The audio/video products may fall, causing serious injury to a child or adult, and serious damage to the products. Use only with a cart, stand, tripod, bracket, or table recommended by the manufacturer, or sold with the appliances. Any mounting of the appliances should follow the manufacturer's instructions, and should use mounting accessories recommended by the manufacturer.
9. Ventilation. Slots and openings in the cabinet are provided for ventilation and to ensure reliable operation of the appliances and to protect them from overheating, and these openings must not be blocked or covered. The openings should never be blocked by placing the products on a bed, sofa, rug, or other similar surface. This product should never be placed near or over a radiator or heat register. This product should not be placed in a built-in installation such as a bookcase or rack unless proper ventilation is provided or the manufacturer's instructions have been adhered to.
10. Power Sources. This product should be operated only from the type of power source indicated on the marking labels. If you are not sure of the type of power supply to your home, consult your appliance dealer or local power company.
11. Grounding or Polarization. This product is equipped with polarized alternating-current line plugs (plugs having one blade wider than the other). This plug will fit into the power outlet only one way. This is a safety feature. If you are unable to insert the plug fully into the outlet, try reversing the plug. If the plug should still fail to fit, contact your electrician to replace your obsolete outlet. Do not defeat the safety purpose of the polarized plug.
12. Power Cord Protection. Power-supply cord should be routed so that it is not likely to be walked on or pinched by items placed upon or against it, paying particular attention to cords at plugs, convenience receptacles, and the point where they exit from the appliances.
13. Lightning. For added protection for this audio/video product during a lightning storm, or when it is left unattended and unused for long periods of time, unplug it from the wall outlet and disconnect the antenna or cable system. This will prevent damage to the product due to lightning and power-line surges.
14. Power Lines. An outside antenna system should not be located in the vicinity of overhead power lines or other electric light or power circuits, or where it can fall into such power lines or circuits. When installing an outside antenna system, extreme care should be taken to keep from touching such power lines or circuits as contact with them might be fatal.
15. Overloading. Do not overload wall outlets and extension cords as this can result in a risk of fire or electric shock.
16. Object and Liquid Entry. Never push objects of any kind into this product through openings, as they may touch dangerous voltage points or short out parts that could result in a fire or electric shock. Never spill liquid of any kind on this audio/video product.
17. Servicing. Do not attempt to service this product yourself, as opening or removing covers may expose you to dangerous voltage or other hazards. Refer all servicing to qualified service personnel.

18. Damage Requiring Service. Unplug this product from wall outlets and refer servicing to qualified service personnel under the following conditions:
 - a. When the power supply cord or plug is damaged.
 - b. If liquid has been spilled, or objects have fallen into the product.
 - c. If the product has been exposed to rain or water.
 - d. If the product does not operate normally by following the operating instructions. Adjust only those controls that are covered by the operating instructions, as an improper adjustment of other controls may result in damage and will often require extensive work by a qualified technician to restore the product to its normal operation.
 - e. If the product has been dropped or the cabinet has been damaged.
 - f. When the product exhibits a distinct change in performance this indicates a need for service.
19. Replacement Parts. When replacement parts are required, be sure the service technician has used replacement parts specified by the manufacturer or that the parts have the same characteristics as the original part. Unauthorized substitutions may result in fire, electric shock or other hazards.
20. Safety Check. Upon completion of any service or repairs to this product, ask the service technician to perform safety checks to determine that the products are in proper operating condition.
21. Carts and Stands. The appliances should be used only with a cart or stand that is recommended by the manufacturer. An appliance and cart combination should be moved with care. Quick stops, excessive force, and uneven surfaces may cause the appliance and cart combination to overturn. Use caution when moving the cart/apparatus combination to avoid injury from tip-over.
22. This product is not intended for use outdoors.



Safe Limits of Operation

Polk specifies the recommended amplification range for each of its passive (non-amplified) loudspeakers. Typically that specification will be expressed as a range of power such as 20-200 Watts (per channel). It is important to understand what those numbers mean when choosing a receiver or amplifier for your Polk loudspeakers. The lower number indicates the lowest continuous rated power that will yield acceptable performance in a typical listening environment. The higher number indicates the highest per channel power that should be used with your Polk speakers. That number should not be confused with a "Power Handling" specification, and it does not imply that the speaker will safely handle that full amount of power on a long-term basis. We specify a wide range of power ratings because not all electronics manufacturers use the same method for rating power. In fact, high quality lower-rated amplifiers sound better and play louder than low quality units with higher power rating.

Similarly, we recommend using amplifiers and receivers with rated power above the Power Handling limits of our speakers because having extra power available for short term peaks is conducive to better sound quality, maximum dynamic range and effortless high volume output. But we strongly urge you not to use the full power of your amplifier or receiver for daily listening.

Loudspeakers can be damaged when an amplifier, regardless of its wattage, is made to play at higher listening levels than its power can clearly produce. Operation at this level can result in very high levels of audible distortion originating in the amplifier, which can add a harsh, gritty sound to your listening material. If you hear distortion—turn the volume down or risk damaging your speakers. You can damage just about any speaker, regardless of power rating, if you drive an amplifier to or beyond the point of distortion.

Product Disposal

Certain international, national and/or local laws and/or regulations may apply regarding the disposal of this product. For further detailed information, please contact the retailer where you purchased this product or the Polk Importer/Distributor in your country. A listing of Polk Importer/ Distributors can be found on the Polk website www.polkaudio.com or by contacting Polk at: 5601 Metro Drive, Baltimore, Maryland 21215, USA. Phone: 1-410-358-3600; in California: 1-800-377-7655.



Take Inventory

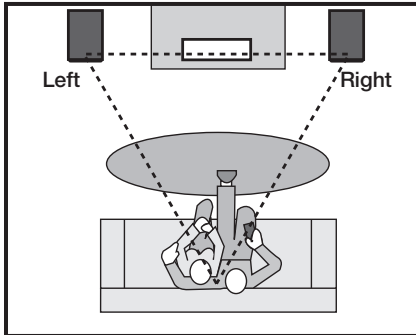
Inside each speaker container, you should find the following:

1. One TSx floorstanding speaker, two bookshelf speakers or one center channel speaker
2. TSx manual
3. Registration card
4. Adhesive-backed rubber pads—(8 for bookshelf speakers or 4 center channel speaker)
5. Wall mount template (for TSx110B bookshelf speakers only)

Important Note: If anything is missing or damaged, or if your speaker fails to operate, notify Polk Customer Support Services immediately at 800-377-7655.

Speaker Location

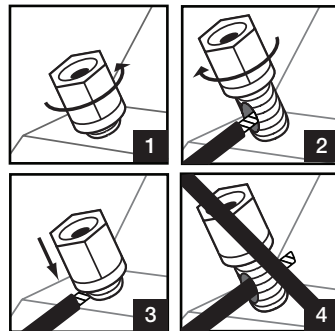
(550T, 440T, 330T, 220B & 110B)



Create an equilateral triangle between the speakers and the listening position. Toe-in to your listening preference. If you notice video distortion or discoloration, immediately move the speakers away from the video source and call Polk Customer Service 800-377-7655 (US and Canada) or polkcs@polkaudio.com.

Using Binding Post Connections

1. Loosen hex nut.
2. Insert speaker wire through hole.
3. Tighten hex nut.
4. Do not insert insulated section of speaker wire.



To use Banana Plugs (US only):
Carefully pry out the binding post plugs to expose banana plug holes.

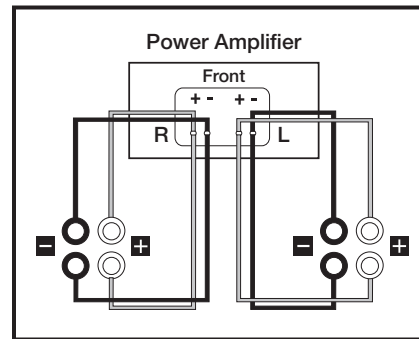
(This is for US owners only.)

Please observe the proper polarity

One of the terminals on the rear of the speaker is marked red (+) and the other black (-). Make certain that you connect the wire from the red (+) terminal of your receiver or amplifier to the red (+) terminal on your speaker, and the wire from the black (-) terminal of your receiver or amplifier to the black (-) terminal on your speaker. Most wire has some indication (such as color code, ribbing, or writing) on one of the two conductors to help maintain consistency.

Bi-Wiring

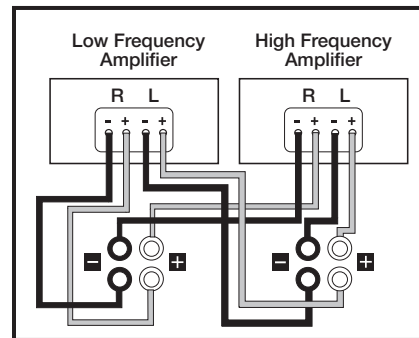
(550T, 440T & 330T)



Bi-wiring, or using separate speaker wire connections for high and low frequency sections. Remove flat metal jumpers.

Bi-Amping

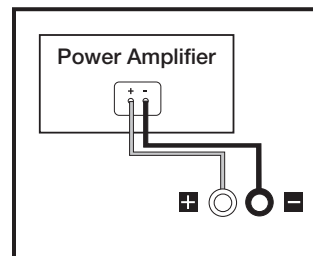
(550T, 440T & 330T)



Bi-amping, or using separate amplifiers for the low and high frequency sections of your speakers. Remove flat metal jumpers.

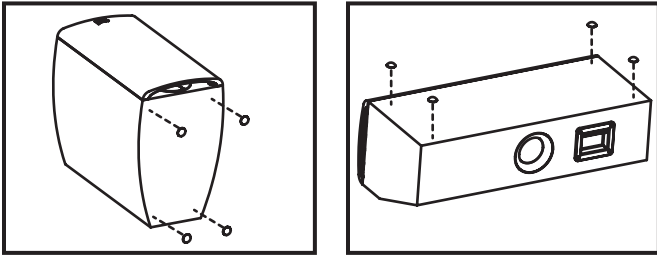
Basic Bookshelf and Center Speaker Hookup

(220B, 110B, 250c & 150c)



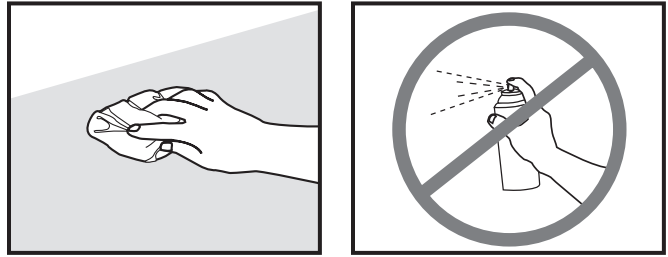
Set Bookshelf and Center Speakers to "small" in your receiver's Bass Management settings.

Adhesive-Backed Rubber Pads (220B, 110B, 250c & 150c)



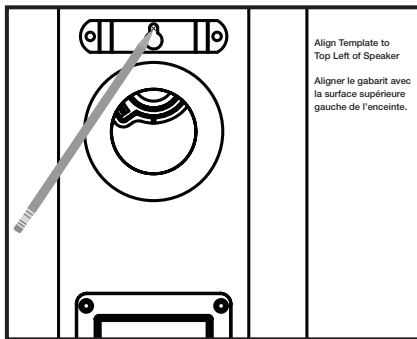
Peel and stick in corners of speaker enclosure.

Product Cleaning (550T, 440T, 330T, 220B, 110B, 250c & 150c)

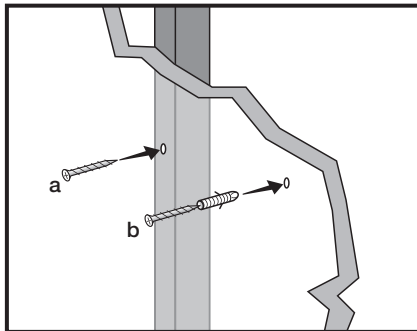


Clean cabinet with a damp cloth.
Do not use furniture polish on veneer.

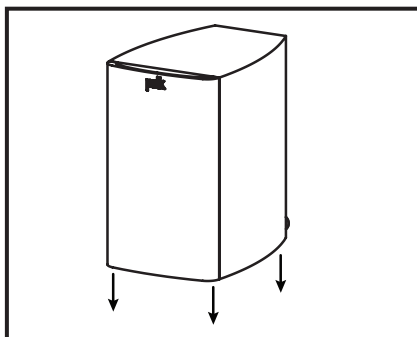
TSx110B Wall Mount Template



Use template to mark mounting location.



Use #10 panhead screw for wall stud (a), use #10 wall anchors
with appropriate weight rating + screw for no wall stud (b).
Leave screws 1/4" - 1/8" (4mm) exposed.



Slide the speaker down on the screw head
to catch the keyhole slots.

Specifications

For performance specifications on the TSx Series Speakers,
visit our website www.polkaudio.com.

Limited Warranty

Polk, Inc., warrants to the original retail purchaser only. This warranty will terminate automatically prior to its stated expiration if the original retail purchaser sells or transfers the product to any other party.

Polk Audio, Inc., warrants, to the original retail purchaser only, that the LOUDSPEAKER(S), PASSIVE CROSSOVER COMPONENT(S) and ENCLOSURE on this Polk Loudspeaker Product will be free from defects in material and workmanship for a period of five (5) years from the date of original retail purchase from a Polk Audio Authorized Dealer.

To allow Polk to offer the best possible warranty service, please register your new product online at: www.polkaudio.com/registration or call Polk customer service: Monday - Friday (9am -5:30pm ET) 800-377-7655 in the USA and Canada (outside the USA: 410-358-3600) within ten (10) days of the date of original purchase. Be sure to keep your original purchase receipt.

Defective Products must be shipped, together with proof of purchase, prepaid insured to the Polk Authorized Dealer from whom you purchased the Product, or to the Factory at 1 Viper Way, Vista, California 92081. Products must be shipped in the original shipping container or its equivalent; in any case the risk of loss or damage in transit is to be borne by you. If upon examination at the Factory or Polk Authorized Dealer it is determined that the unit was defective in materials or workmanship at any time during this Warranty period, Polk or the Polk Authorized Dealer will, at its option, repair or replace this Product at no additional charge, except as set forth below. All replaced parts and Products become the property of Polk. Products replaced or repaired under this warranty will be returned to you, within a reasonable time, freight prepaid.

This warranty does not include service or parts to repair damage caused by accident, disaster, misuse, abuse, negligence, inadequate packing or shipping procedures, commercial use, voltage inputs in excess of the rated maximum of the unit, cosmetic appearance of cabinetry not directly attributable to defect in materials or workmanship, or service, repair, or modification of the Product which has not been authorized or approved by Polk. This warranty shall terminate if the Serial number on the Product has been removed, tampered with or defaced.

This warranty is in lieu of all other expressed Warranties. If this Product is defective in materials or workmanship as warranted above, your sole remedy shall be repair or replacement as provided above. In no event will Polk, Inc. be liable to you for any incidental or consequential damages arising out of the use or inability to use the Product, even if Polk, Inc. or a Polk Authorized Dealer has been advised of the possibility of such damages, or for any claim by any other party. Some states do not allow the exclusion or limitation of consequential damages, so the above limitation and exclusion may not apply to you.

All implied warranties on this Product are limited to the duration of this expressed Warranty. Some states do not allow limitation on how long an implied Warranty lasts, so the above limitations may not apply to you. This Warranty gives you specific legal rights, and you also may have other rights which vary from state to state.

This Warranty applies only to Products purchased in Canada, the United States of America, its possessions, and U.S. and NATO armed forces exchanges and audio clubs. The Warranty terms and conditions applicable to Products purchased in other countries are available from the Polk Authorized Distributors in such countries.

Français

Consignes de Sécurité Importantes

Ce produit a été conçu et fabriqué pour répondre à de strictes normes de qualité et de sécurité. Veuillez cependant porter attention aux consignes de sécurité suivantes se rapportant à son installation et à son utilisation.

1. Lisez toutes les consignes de sécurité et d'utilisation avant d'utiliser cet appareil.
2. Conservez les instructions de sécurité et d'opération pour référence future.
3. Observez les consignes contenues dans ce manuel et affichées sur le produit.
4. Suivez toutes les instructions d'opération et d'utilisation
5. Nettoyage. Débranchez l'appareil avant de le nettoyer. N'utilisez jamais de nettoyant liquide ou en aérosol. Utilisez un chiffon humide.
6. Accessoires. N'utilisez jamais d'accessoires non recommandés par le fabricant. Ils pourraient provoquer un danger.
7. Eau et humidité. N'utilisez jamais cet appareil près d'une source d'eau ou d'humidité—par exemple près d'une baignoire, d'un évier, d'un lavabo ou dans un sous-sol humide ou près d'une piscine ou autre source d'eau.
8. Accessoires. Ne placez jamais ce produit audio-visuel sur un charriot, socle, meuble ou support instable. Le produit pourrait tomber, s'endommager et/ou blesser grièvement un enfant ou un adulte. Utilisez uniquement un charriot, socle, meuble ou support spécifié par le fabricant ou vendu avec le produit. Toute installation du produit doit se faire selon les directives du fabricant et en utilisant des accessoires recommandés par le fabricant.
9. Aération. Les ouvertures et les fentes situées sur le boîtier préviennent la surchauffe et assurent la fiabilité du produit et ne doivent jamais être couvertes ou obstruées. Elles ne doivent jamais être obstruées en plaçant le produit sur un lit, un sofa, un tapis ou autre surface similaire. Ce produit ne doit jamais être installé sur ou à proximité d'un radiateur ou d'un registre de chaleur. Ce produit ne doit pas être installé dans un meuble, une bibliothèque ou un bâti à moins d'assurer une aération adéquate ou d'observer les directives du fabricant.
10. Alimentation CA. Ce produit ne doit être utilisé qu'avec le type d'alimentation CA spécifié sur l'étiquette apposée au produit. Si vous ne connaissez pas le type d'alimentation utilisé dans votre région, communiquez avec le revendeur du produit ou avec votre fournisseur local d'électricité.
11. Mise à la terre et polarisation. Ce produit est muni d'une fiche d'alimentation CA polarisée (une des deux broches étant plus large que l'autre). Cette fiche ne peut être insérée dans la prise de courant que d'une seule façon. C'est un dispositif de sécurité. Si vous ne parvenez pas à bien insérer la fiche dans la prise de courant, renversez-la. Si vous ne parvenez toujours pas à insérer la fiche dans la prise de courant, faites remplacer la prise obsolète par un électricien. Ne contournez jamais le dispositif de sécurité de mise à la terre de la fiche polarisée.
12. Protection du cordon d'alimentation CA. Les cordons d'alimentation CA doivent être disposés hors des zones passantes où ils risquent d'être écrasés, pincés ou endommagés, particulièrement à proximité des prises de courant, des blocs multiprises et à la sortie de l'appareil.
13. Foudre et surtension. Pour assurer la protection de ce produit contre la foudre ou la surtension lorsqu'il n'est pas utilisé pour de longues périodes, débranchez son cordon d'alimentation de la prise de courant CA et déconnectez le système de câble ou d'antenne.
14. Lignes électriques. Une antenne extérieure ne doit pas être installée à proximité de lignes électriques aériennes ou autres dispositifs électriques ou d'éclairage sur lesquels elle pourrait tomber. Lors de l'installation d'une antenne extérieure, il est impératif de vous assurer que cette dernière ne pourra jamais entrer en contact avec de tels dispositifs ou lignes électriques. Il pourrait y avoir danger de mort.
15. Surcharge. Ne surchargez jamais les prises de courant, les rallonges ou les blocs multiprises; cela pourrait constituer un risque d'incendie ou de choc électrique.
16. Objets et liquides. N'insérez jamais d'objets dans les ouvertures de ce produit. Ils pourraient entrer en contact avec des points de voltage dangereux ou provoquer des courts-circuits; cela pourrait provoquer un risque d'incendie ou de choc électrique. Ne renversez jamais de liquides sur le produit.
17. Service. Ne tentez jamais de réparer ce produit vous-même car ouvrir son boîtier ou en retirer le couvercle pourrait vous exposer à des voltages dangereux ou à d'autres dangers. Confiez tout service à un technicien qualifié.
18. Dommages et service. Débranchez l'appareil de la prise CA et contactez un réparateur qualifié lorsque:
 - a. le cordon d'alimentation a été endommagé.
 - b. un objet ou du liquide s'est introduit dans le produit.
 - c. le produit a été exposé à la pluie ou à de l'eau.
 - d. le produit ne fonctionne pas normalement selon les instructions du fabricant. Réglez uniquement les contrôles spécifiés dans le manuel de l'utilisateur car le réglage inapproprié de certains autres contrôles pourrait endommager le produit et requérir l'intervention d'un réparateur qualifié pour le remettre en ordre. le produit a subi une chute ou son boîtier a été endommagé.
 - e. le produit ne semble pas fonctionner normalement—ce qui indique la nécessité de service.

19. Pièces de rechange—Lorsque des pièces de rechange sont requises, assurez-vous que le technicien de service utilise des pièces de rechange spécifiées par le fabricant ou des pièces ayant les mêmes caractéristiques que les pièces d'origine. Des substitutions non autorisées risquent de provoquer un incendie, des chocs électriques ou d'autres dangers.
20. Contrôle de sécurité—Après chaque contrôle technique ou réparation de cet appareil, demandez au technicien d'effectuer un contrôle pour assurer que l'appareil est en bon état de fonctionnement.
21. Chariots et socles. Les appareils doivent être utilisés uniquement avec des chariots ou des socles recommandés par le fabricant. Un appareil sur chariot doit être déplacé avec soin. Des arrêts soudains, une poussée excessive ou une surface inégale pourraient provoquer le renversement du chariot avec risque de blessures.
22. Ce produit n'est pas conçu pour utilisation extérieure.



Limites D'Opération

Polk spécifie la marge de puissance d'amplification recommandée pour chacun de ses haut-parleurs non amplifiés. Cette spécification est typiquement exprimée en watts par canal (par ex. 20-200 W/canal). Il est important de bien comprendre la signification de ces chiffres avant de choisir un amplificateur pour vos haut-parleurs Polk. Le premier chiffre indique la puissance nominale minimum requise pour assurer une performance adéquate dans une pièce de dimensions normales. Le deuxième chiffre indique la puissance nominale maximum admissible par vos haut-parleurs – ce chiffre ne doit pas être confondu avec la spécification «capacité de puissance» et n'implique pas que le haut-parleur peut soutenir cette puissance de façon continue. Nous spécifions une marge de puissance d'amplification étendue parce que les fabricants de composants électroniques n'utilisent pas toujours la même méthode pour déterminer la puissance admissible. En fait, les amplificateurs moins puissants de qualité supérieure donnent un meilleur rendement que les amplificateurs plus puissants de qualité inférieure.

C'est pour cette même raison que nous vous recommandons d'utiliser un amplificateur ou un récepteur d'une puissance nominale plus élevée que la capacité de puissance spécifiée pour vos haut-parleurs. En effet, cette réserve de puissance leur permettra de reproduire les crêtes sonores momentanées sans peine et sans distorsion, assurant une gamme dynamique optimale et une performance maximale—même à haut volume. Il est quand même fortement déconseillé d'écouter votre chaîne audio «à fond la caisse» en tout temps.

Un haut-parleur peut être endommagé lorsqu'un amplificateur, quelle que soit sa puissance, est poussé au-delà de ses limites. L'amplificateur surchargé génère alors un niveau élevé de distorsion audible, le son devenant rauque et éraillé. Si vous entendez de la distorsion, baissez le volume sinon vous risquez d'endommager vos haut-parleurs. Un haut-parleur, quelle que soit sa capacité de puissance, risque d'être endommagé lorsque l'amplificateur est poussé au-delà de ses limites et génère de la distorsion.

Récupération du Produit

Certaines lois ou certains règlements internationaux, nationaux et/ou régionaux pourraient s'appliquer à la récupération de ce produit. Pour plus d'information, communiquez avec le revendeur de ce produit ou avec l'importateur/distributeur de ce produit dans votre pays. Vous trouverez la liste des importateurs/distributeurs des produits Polk sur le site www.polkaudio.com ou en communiquant avec Polk: 5601 Metro Drive, Baltimore, Maryland 21215, USA—Tél.: +1 410 358-3600



Inventaire

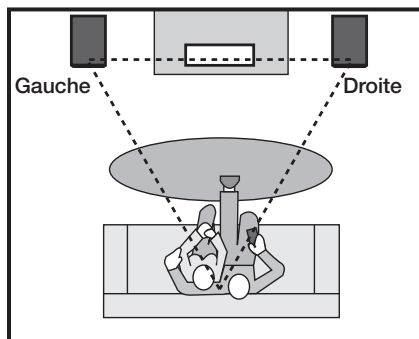
Chaque boîte de haut-parleur devrait contenir:

1. Une enceinte colonne TSx, deux enceintes d'étagère ou une enceinte centraler
2. Un manuel TSx
3. Une carte d'enregistrement
4. Coussinets de caoutchouc autoadhésifs—(8 pour les enceintes d'étagère ou 4 pour une enceinte centrale)
5. Gabarit pour installation murale (pour les enceintes d'étagère TSx110B seulement)

Note Importante: Si vous constatez des dommages ou l'absence de pièces, ou si votre enceinte ne fonctionne pas, contactez le Service à la Clientèle de Polk au 800-377-7655.

Emplacement des Enceintes

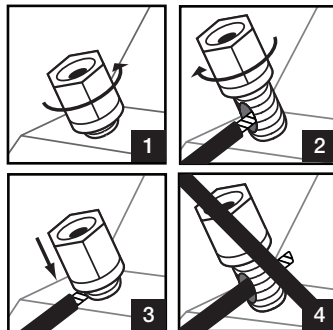
(550T, 440T, 330T, 220B & 110B)



Créez un triangle équilatéral entre les deux enceintes et votre position d'écoute puis orientez les enceintes selon vos préférences. Cependant, si vous constatez de la distorsion ou décoloration vidéo, éloignez immédiatement l'enceinte de l'écran et contactez le service à la clientèle de Polk au (800) 377-7655 (É.U. et Canada) ou par courriel: polkcs@polkaudio.com.

Utilisation des Bornes de Connexions

1. Desserrer l'écrou.
2. Insérer le fil du haut-parleur dans le trou.
3. Serrer l'écrou.
4. Ne pas insérer la partie isolée du fil du haut-parleur.



To use Banana Plugs (US only):
Carefully pry out the binding post plugs to expose banana plug holes.

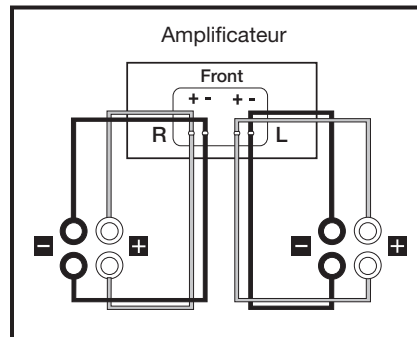
(This is for US owners only.)

Respectez la polarité

Une des bornes à l'arrière de l'enceinte est rouge (+) et l'autre noire (-). Assurez-vous de bien raccorder le fil provenant de la borne rouge (+) de votre ampli/récepteur à la borne rouge (+) de votre enceinte et le fil provenant de la borne noire (-) de votre ampli/récepteur à la borne noire (-) de votre enceinte. La polarité de la plupart des fils à deux conducteurs est codée (couleur, nervure ou écriture) pour faciliter son identification.

Bi-Câblage

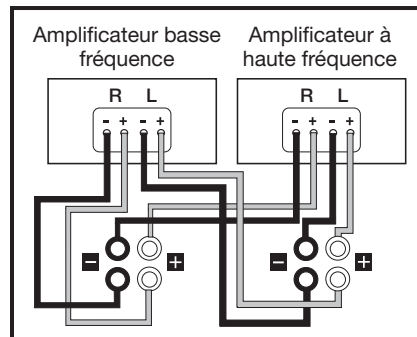
(550T, 440T & 330T)



Bi-câblage: l'utilisation de câbles distincts pour alimenter séparément les composants des hautes et des basses fréquences de vos enceintes. Retirez les cavaliers métalliques plats.

Bi-Amplification

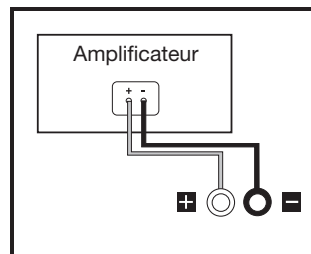
(550T, 440T & 330T)



Bi-amplification: l'utilisation d'amplis distincts pour alimenter séparément les composants des hautes et des basses fréquences de vos enceintes. Retirez les cavaliers métalliques plats.

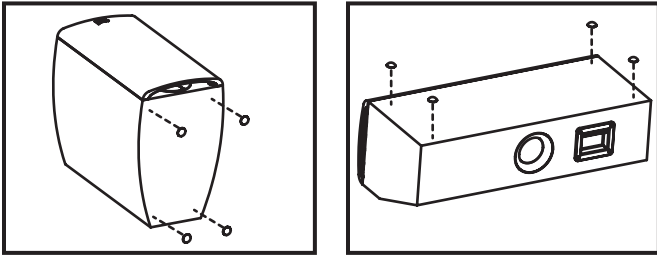
Connexion des Enceintes D'Étagère et de L'Enceinte de Canal Central

(220B, 110B, 250c & 150c)



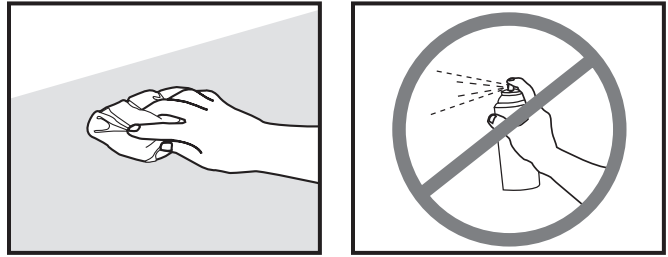
Pour les enceintes d'étagère et centrale, du menu de «gestion des graves» de votre récepteur (Bass Management settings), sélectionnez «small.»

Tampons Autoadhésifs en Caoutchouc (220B, 110B, 250c & 150c)



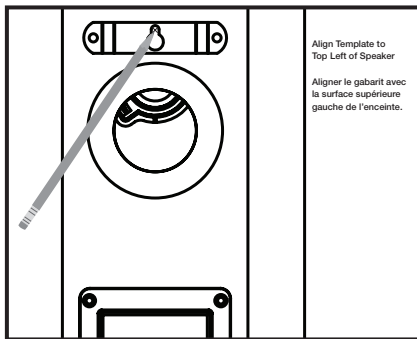
Retirez la pellicule et fixez les coussinets aux quatre coins de l'enceinte.

Nettoyage du Produit (550T, 440T, 330T, 220B, 110B, 250c & 150c)

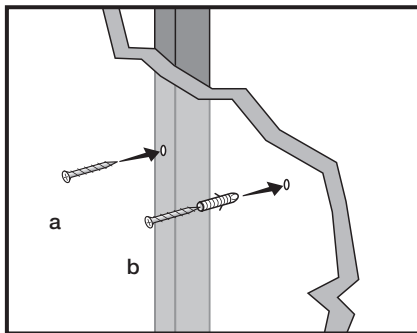


Nettoyez l'enceinte avec un chiffon humide.
N'utilisez pas de poli à meubles.

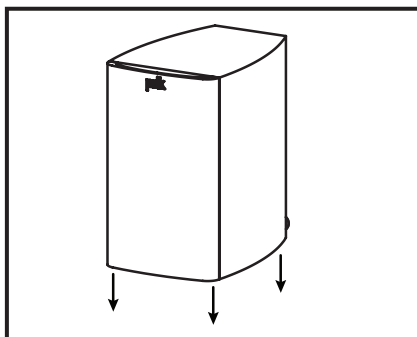
TSx110B Gabarit pour Installation Murale



Utilisez le gabarit pour marquer le lieu de fixation.



Utilisez des vis #10 à tête cylindrique pour fixation sur un montant de mur (a). Utilisez des ancrages de fixation #10 à portance appropriée avec vis conforme s'il n'y a pas de montant à l'endroit choisi (b). Laissez les vis dépasser de 1/4" (6mm) à 1/8" (4mm).



Glissez l'enceinte sur les têtes de vis jusqu'à ce que les encoches en trou de serrure s'enclenchent.

Fiche Technique

Pour la fiche technique des enceintes TSx Series, visitez notre site web: www.polkaudio.com.

Garantie Limitée

La garantie de Polk, Inc., n'est valide que pour l'acheteur au détail original. La garantie sera automatiquement annulée avant sa date d'expiration spécifiée si l'acheteur original vend ou transfère le produit à tout autre parti. Polk, Inc., garantit—à l'acheteur au détail original seulement—que le ou les HAUT-PARLEUR(S), COMPOSANTE(S) DE FILTRE PASSIF et CAISSON(S) de ce produit Polk seront exempts de tout défaut attribuable aux pièces d'origine et à la main d'oeuvre pour une période de cinq (5) ans à partir de la date de l'achat au détail original chez un revendeur agréé Polk.

Pour permettre à Polk de vous offrir le meilleur service de garantie possible, veuillez enregistrer votre nouveau produit en ligne à l'adresse web: www.polkaudio.com/registration - ou contactez le Service à la Clientèle de Polk: Monday - Friday (9am -5:30pm ET) au 800-377-7655 aux États-Unis et au Canada (à l'extérieur des É.U.:410-358-3600) dans les dix (10) jours suivant la date de l'achat original. Assurez-vous de conserver votre reçu d'achat original.

Les produits défectueux doivent être expédiés, avec une preuve d'achat, francs de port et assurés, au revendeur agréé Polk de qui vous avez acheté le produit, ou à l'usine Polk, 1 Viper Way, Vista, California 92081. Les produits doivent être expédiés dans leur carton d'expédition original ou dans un contenant équivalent. Le propriétaire doit assumer tout risque de perte ou de dommage en transit.

Si, suite à l'examen du produit à l'usine Polk ou chez le marchand agréé Polk, il est déterminé que la défectuosité est imputable aux matériaux d'origine ou à la main d'oeuvre au cours de la période de la garantie spécifiée, Polk ou le revendeur Polk, à sa guise, réparera ou remplacera le produit sans frais additionnels et selon les conditions décrites ci-dessous. Toute pièce ou produit remplacé devient la propriété de Polk. Les produits réparés ou remplacés sous la garantie vous seront expédiés francs de port dans un délai raisonnable. Cette garantie n'inclut pas le service ou les pièces nécessaires à la réparation des dommages provoqués par accident, désastre, abus, négligence, mode d'expédition

ou emballage inadéquat, utilisation commerciale, tensions supérieures au maximum prescrit pour l'unité, aspect visuel du meuble non directement attribuable à un défaut de pièces d'origine ou de main d'oeuvre, ou par le service, la réparation, ou toute modification du produit qui n'a pas été autorisé ou approuvé par Polk. Cette garantie sera annulée si le numéro de série sur le produit a été enlevé, altéré ou falsifié.

Cette garantie prend préséance sur toutes autres garanties énoncées. Si la défectuosité de ce produit est imputable aux pièces d'origine ou à la main d'oeuvre selon les conditions de la garantie exprimées ci-dessus, votre seul recours sera la réparation ou le remplacement selon les conditions décrites ci-dessus.

Dans aucun cas Polk, Inc. pourra-t-elle être tenue responsable pour tout dommage accessoire ou indirect causé par l'utilisation ou par l'incapacité d'utilisation du produit, même si Polk, Inc. ou un revendeur agréé Polk, a été avisé de la possibilité de tel dommage, ou pour toute réclamation par tout autre parti. Certains états ne permettant pas l'exclusion ou la limitation des dommages indirects, les limitations et exclusions exprimées ci-dessus pourraient ne pas s'appliquer dans votre cas.

Toutes les garanties tacites sur ce produit sont limitées à la durée de la garantie énoncée. Certains états ne permettant pas la limitation de la durée d'une garantie tacite, les limitations ci-dessus pourraient ne pas s'appliquer dans votre cas. Cette garantie vous accorde des droits légaux spécifiques; vous pourriez également avoir d'autres droits qui pourraient varier d'état en état.

Cette garantie s'applique seulement aux produits achetés au Canada, aux États-Unis d'Amérique et ses possessions, et dans les clubs audio et d'échange des forces armées des É.U. et de l'OTAN. Les modalités et les conditions de garantie applicables aux produits achetés dans d'autres pays sont disponibles chez les distributeurs agréés Polk établis dans ces pays.

Instrucciones Importantes de Seguridad

Este producto ha sido diseñado y fabricado para satisfacer estrictas normas de calidad y seguridad. Sin embargo, hay ciertas precauciones de operación e instalación que usted debe tener en cuenta en particular.

1. Lea las instrucciones. Todas las instrucciones de seguridad y operación deben leerse antes de operar el sistema.
2. Guarde las instrucciones. Las instrucciones de seguridad y operación deben guardarse para poder consultarlas en el futuro.
3. Respete las advertencias. Todas las advertencias escritas en los aparatos y en las instrucciones de operación deben respetarse.
4. Siga las instrucciones. Todas las instrucciones de operación y uso deben seguirse.
5. Limpieza. Antes de limpiar el aparato, desenchúfelo del tomacorriente. No use limpiadores líquidos ni en aerosol. Limpie el producto con un paño húmedo.
6. Agregados. No utilice agregados que el fabricante del producto no haya recomendado, porque pueden causar peligros.
7. Agua y humedad. No use el aparato cerca del agua; por ejemplo, cerca de una bañera, lavabo, fregadero de cocina o lavandería, en un subterráneo húmedo, ni cerca de una piscina o lugares similares.
8. Accesorios. No coloque el aparato en carritos, pedestales, trípodes, soportes o mesas inestables. El producto de audio/video puede caerse y causar lesiones graves a niños o adultos y daños graves al producto. Use el aparato solamente con el carrito, pedestal, trípode, soporte o mesa recomendado por el fabricante o vendido con el aparato. Todo montaje del aparato se debe hacer siguiendo las instrucciones del fabricante y con los accesorios de montaje recomendados por el fabricante.
9. Ventilación. Las ranuras y aberturas de la caja son para ventilar el aparato, asegurar su funcionamiento confiable y evitar que se sobrecaliente; por lo tanto, no se deben ni bloquear ni cubrir. Las aberturas no se deben bloquear nunca poniendo el aparato en una cama, un sofá, una alfombra u otra superficie similar. Este producto no se debe colocar nunca sobre un radiador o una rejilla de calefacción. Este producto no se debe instalar en una estructura empotrada, tal como una estantería o un librero, a menos que se le dé ventilación apropiada o se respeten las instrucciones del fabricante.
10. Fuentes de alimentación. Este producto debe funcionar conectado exclusivamente a una fuente de alimentación del tipo indicado en sus etiquetas. Si no está seguro del tipo de fuente de alimentación de su casa, consulte al distribuidor de aparatos o a la compañía local de electricidad.
11. (Sólo América del Norte) Conexión a tierra o polarización. Este producto viene equipado con enchufes de línea de alimentación de corriente alterna polarizados (una pata más ancha que la otra). Como medida de seguridad, este enchufe entra en el tomacorriente de una manera solamente. Si no puede insertar completamente el enchufe, déle vuelta. Si aun así no entra, consulte a un electricista para que cambie el tomacorriente obsoleto. No anule la seguridad implícita en el enchufe polarizado.
12. Protección del cordón de alimentación. Encamine el cordón de alimentación de manera que sea poco probable que sea pisado o aplastado por objetos que se le coloquen encima o se le apoyen, en particular cerca del enchufe, cerca del tomacorriente y en el punto en que el cordón sale del aparato.
13. Rayos. Para aumentar la protección de este producto de audio/video durante una tormenta eléctrica, o cuando se deje solo o no se use durante largos períodos de tiempo, desenchúfelo del tomacorriente y desconecte la antena o el sistema de cable. Esto evitará daños al producto causados por rayos o subidas de voltaje.
14. Líneas de alta tensión. El sistema de antena exterior no debe colocarse cerca de líneas de alta tensión suspendidas u otros circuitos de alimentación o luz eléctrica, ni donde al caer pueda hacer contacto con tales líneas o circuitos de alimentación. Cuando instale un sistema de antena externa, debe tener sumo cuidado de evitar tocar tales circuitos o líneas de alta tensión, pues tal contacto puede ser mortal.
15. Sobrecarga. No sobrecargue los tomacorrientes ni las extensiones, pues esto puede dar como resultado un peligro de incendio o descarga eléctrica.
16. Entrada de objetos y líquidos. Nunca meta objetos de ningún tipo en este producto a través de las aberturas, pues pueden hacer contacto con puntos de voltajes peligrosos o hacer cortocircuitos que podrían causar un incendio o una descarga eléctrica. Nunca derrame líquidos de ningún tipo sobre este producto de audio/video.
17. Servicio. No intente hacerle servicio a este producto usted mismo, pues abrirlo o quitarle las cubiertas puede exponerlo a usted a voltajes peligrosos u otros peligros. Encargue todo servicio al personal de servicio calificado.
18. Daños que requieren servicio. Desenchufe el producto y encargue el servicio al personal de servicio calificado cuando:
 - a. Se haya dañado el enchufe o el cordón de alimentación.
 - b. Hayan caído líquidos u objetos dentro del aparato.
 - c. El producto haya sido expuesto a la lluvia o a la humedad.

- d. El producto haya dejado de funcionar normalmente a pesar de que se hayan seguido las instrucciones. Ajuste sólo los controles mencionados en las instrucciones de operación, pues ajustar incorrectamente otros controles puede causar daños y, a menudo, restablecer el funcionamiento normal del producto requerirá un extenso trabajo técnico calificado.
 - e. El producto se haya dejado caer o la caja haya sido dañada.
 - f. El producto manifieste un cambio notable de rendimiento; esto indica la necesidad de servicio.
19. Piezas de repuesto. Cuando se requieran piezas de repuesto, asegúrese de que el técnico de servicio haya utilizado las piezas de repuesto especificadas por el fabricante o que las piezas tengan las mismas características que la pieza original. Las sustituciones no autorizadas pueden dar como resultado un incendio, una descarga eléctrica u otros peligros.
 20. Revisión de seguridad. Al terminar cualquier servicio o reparación de este producto, pídale al técnico de servicio que lleve a cabo verificaciones de seguridad para determinar que el producto esté en buenas condiciones de funcionamiento.
 21. Carritos y pedestales. El aparato se debe utilizar solamente con el carrito o pedestal recomendado por el fabricante. Las combinaciones de aparato y carrito deben moverse cuidadosamente. Parar repentinamente, ejercer demasiada fuerza y pasar por superficies desniveladas puede hacer que la combinación de aparato y carrito se vuelque. Tenga cuidado cuando mueva la combinación de aparato y carrito para evitar lesiones causadas por volcamiento.
 22. Este producto no es para usar al aire libre.



Límites de Seguridad de Funcionamiento

Polk especifica el intervalo de amplificación recomendado para cada uno de sus altavoces pasivos (sin amplificación). Por lo general, la especificación se presenta en forma de intervalo de potencia, tal como 20 a 200 W (por canal). Es importante entender lo que estos números significan cuando se escoge un receptor o un amplificador para los altavoces Polk. El número inferior indica la potencia nominal continua mínima que produce fidelidad aceptable en un ambiente normal de audición. El número superior indica la potencia máxima por canal que se puede aplicar a los altavoces Polk. Estos números no se deben confundir con la especificación de "procesamiento de potencia" ni implican que el altavoz puede procesar con seguridad esa potencia total durante un largo período de tiempo. Especificamos una amplia gama de valores nominales de potencia porque los fabricantes de dispositivos electrónicos calculan la potencia nominal de diferentes maneras. De hecho, los amplificadores de alta calidad con baja potencia nominal suenan mejor y más fuerte que las unidades de baja calidad con alta potencia nominal.

De manera similar, recomendamos amplificadores y receptores con valores de potencia nominal por encima de los límites de procesamiento de potencia de nuestros altavoces, dado que disponer de potencia adicional para máximos de corta duración produce mejor calidad de sonido, máxima gama dinámica y salida de alto volumen sin esfuerzo. No obstante, recomendamos enfáticamente no escuchar música todos los días a la potencia máxima del amplificador o receptor.

Los altavoces se pueden dañar cuando el amplificador, independientemente de su potencia en vatios, funciona a niveles de audición mayores de los que su potencia puede producir claramente. El funcionamiento a este nivel puede dar como resultado alta distorsión audible originada en el amplificador, que puede agregar un sonido discordante y arenoso al material de audición. Si oye distorsión, baje el volumen o arriéguese a dañar los altavoces. Cualquier altavoz se puede dañar, independientemente de su potencia nominal, si el amplificador se hace funcionar más allá del punto de distorsión.

Eliminación del Producto

Es posible que haya leyes y/o reglamentos internacionales, nacionales y/o locales sobre la eliminación de este producto. Para obtener información más detallada, comuníquese con el distribuidor a quien le compró este producto de Polk o al importador o distribuidor en su país. Puede obtener una lista de importadores y distribuidores de Polk en el sitio Web de Polk, www.polkaudio.com, o comuni-cándose con Polk: 5601 Metro Drive, Baltimore, Maryland 21215, USA. Teléfono: +1 410 358-3600.



Haga Inventario

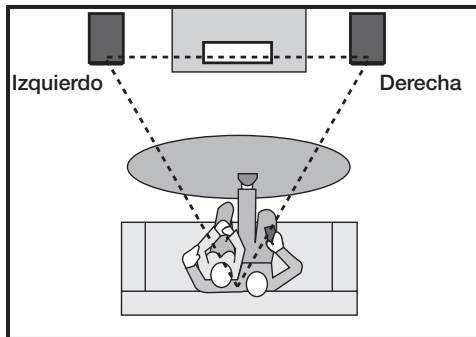
Dentro de cada contenedor de altavoz, debe haber lo siguiente:

1. Un altavoz TSx de piso, dos altavoces de estantería o un altavoz de canal central
2. Un manual TSx
3. Una tarjeta de registro
4. Almohadillas adhesivas de goma—(8 para altavoces de estantería o 4 para altavoces de canal central)
5. Una plantilla de montaje en la pared (sólo altavoces de estantería TSx110B)

Nota importante: Si alguna pieza falta o está dañada, o si el altavoz no funciona, comuníquese inmediatamente con Servicios de Apoyo al Cliente, llamando al 800-377-7655.

Ubicación de los Altavoces

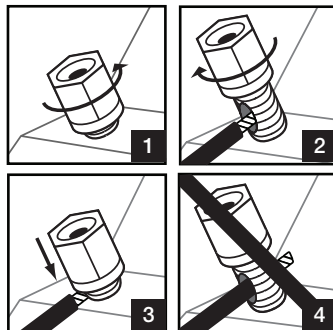
(550T, 440T, 330T, 220B & 110B)



Forme un triángulo equilátero con los altavoces y la posición del oyente. Oriente los altavoces de acuerdo con su preferencia. Si nota distorsión o decoloración de la imagen, aleje inmediatamente los altavoces de la fuente de video y comuníquese con el Servicio al Cliente de Polk llamando al 800-377-7655 (en EE.UU. y Canadá) o enviando un mensaje de correo electrónico a polkcs@polkaudio.com.

Uso de Conexiones con Tornillos de Presión

1. Afloje la tuerca hexagonal.
2. Inserte el cable de altavoz a través del agujero.
3. Enrosque la tuerca de nuevo.
4. No inserte la parte aislada del cable de altavoz.



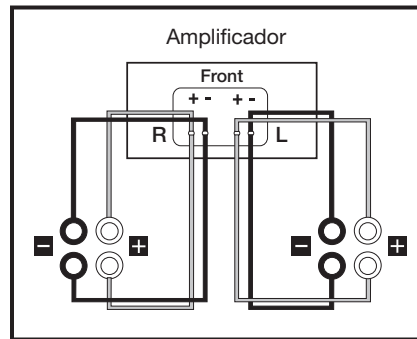
To use Banana Plugs (US only):
Carefully pry out the binding post plugs to expose banana plug holes.
(This is for US owners only.)

Mantenga la polaridad correcta.

Observe que una de las terminales en la parte posterior del altavoz es roja (+) y la otra es negra (-). Conecte el cable de la terminal roja (+) del amplificador o receptor a la terminal roja (+) del altavoz, y el cable de la terminal negra (-) del amplificador o receptor a la terminal negra (-) del altavoz. La mayoría de los cables tienen alguna indicación (tal como un código de colores, una nevadura o un texto) en uno de los dos conductores para mantener la coherencia de la instalación.

Cableado Doble

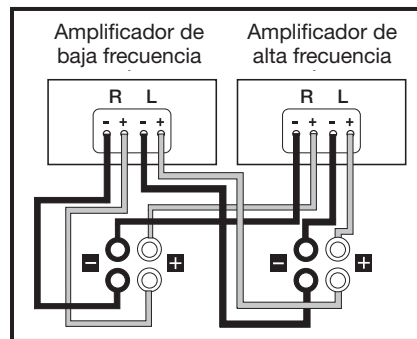
(550T, 440T & 330T)



Cableado doble. Conexiones de cable de altavoz separadas para las secciones de frecuencias altas y frecuencias bajas. Quite los puentes de metal planos.

Amplificación Doble

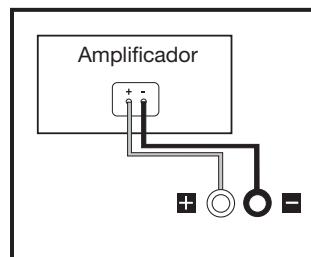
(550T, 440T & 330T)



Amplificación doble. Amplificadores separados para las secciones de frecuencias altas y frecuencias bajas de los altavoces. Quite los puentes de metal planos.

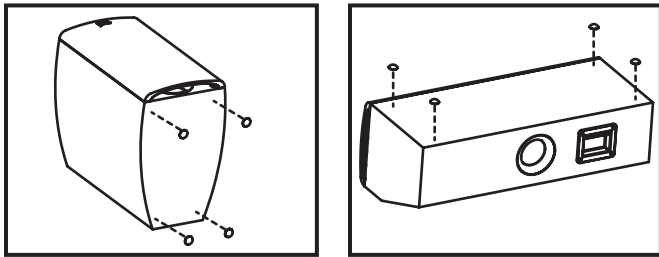
Conexión básica de altavoces de estantería y canal central.

(220B, 110B, 250c & 150c)



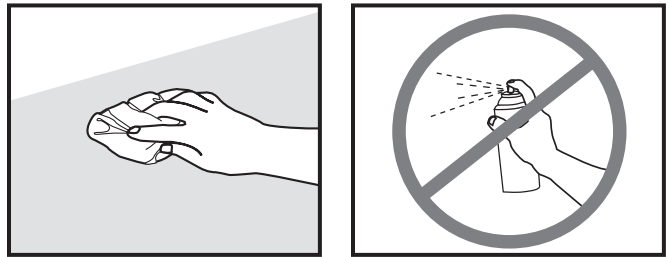
En la administración de bajos del receptor, fije en "pequeño" (small) la configuración de los altavoces de estantería y de canal central.

Almohadillas Adhesivas por Ambos Lados (220B, 110B, 250c & 150c)



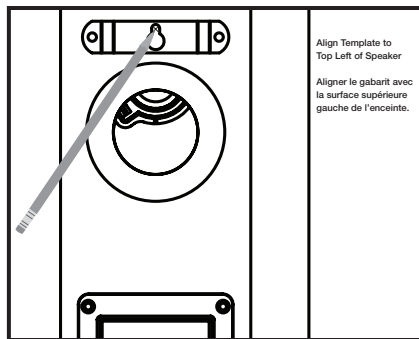
Pele y pegue en las esquinas de la caja de altavoz.

Limpieza del Producto (550T, 440T, 330T, 220B, 110B, 250c & 150c)

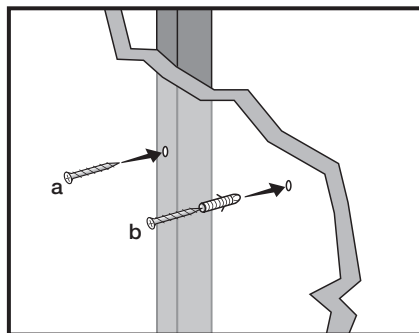


Limpie la caja con un paño húmedo.
No limpie la caja con lustramuebles.

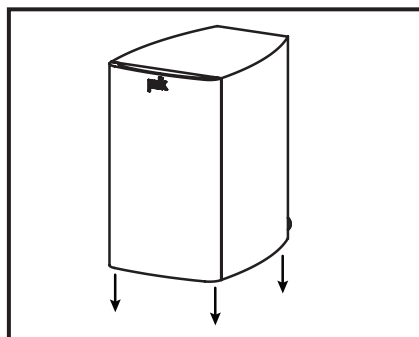
TSx110B Plantilla de Montaje en la Pared



Marque la ubicación de montaje con la plantilla.



Utilice tornillos n° 10 con cabeza troncocónica en paredes con parales internos (a). Utilice tornillos y anclas de pared n° 10 con valor nominal de peso adecuado en paredes sin parales internos (b). Deje que el tornillo sobresalga de 1/4 de plg. a 1/8 de plg. (6mm a 4mm).



Deslice el altavoz sobre las cabezas de los tornillos hasta engancharlos en las ranuras en forma de cerradura de los altavoces.

Especificaciones

Para ver especificaciones de rendimiento de los altavoces de la serie TSx, visite nuestro sitio web www.polkaudio.com.



Polk
5601 Metro Drive
Baltimore, Maryland 21215
(800) 377-7655

Polk is a DEI Holdings, Inc. Company.
Polk is a trademark of Polk, Inc.

HBP2742

English

Important Safety Instructions

This product was designed and manufactured to meet strict quality and safety standards. There are, however, some installation and operation precautions which you should be particularly aware of.

1. Read Instructions. All the safety and operating instructions should be read before the system is operated.
2. Retain Instructions. The safety and operating instructions should be retained for future reference.
3. Heed Warnings. All warnings on the appliances and in the operating instructions should be adhered to.
4. Follow Instructions. All operating and use instructions should be followed.
5. Cleaning. Unplug the appliance from wall outlet before cleaning. Do not use liquid cleaners or aerosol cleaners. Use a damp cloth for cleaning.
6. Attachments. Do not use attachments not recommended by the product manufacturer as they may cause hazards.
7. Water and Moisture. Do not use these appliances near water—for example, near a bath tub, washbowl, kitchen sink, or laundry tub, in a wet basement, or near a swimming pool, and the like.
8. Accessories. Do not place these appliances on an unstable cart, stand, tripod, bracket, or table. The audio/video products may fall, causing serious injury to a child or adult, and serious damage to the products. Use only with a cart, stand, tripod, bracket, or table recommended by the manufacturer, or sold with the appliances. Any mounting of the appliances should follow the manufacturer's instructions, and should use mounting accessories recommended by the manufacturer.
9. Ventilation. Slots and openings in the cabinet are provided for ventilation and to ensure reliable operation of the appliances and to protect them from overheating, and these openings must not be blocked or covered. The openings should never be blocked by placing the products on a bed, sofa, rug, or other similar surface. This product should never be placed near or over a radiator or heat register. This product should not be placed in a built-in installation such as a bookcase or rack unless proper ventilation is provided or the manufacturer's instructions have been adhered to.
10. Power Sources. This product should be operated only from the type of power source indicated on the marking labels. If you are not sure of the type of power supply to your home, consult your appliance dealer or local power company.
11. Grounding or Polarization. This product is equipped with polarized alternating-current line plugs (plugs having one blade wider than the other). This plug will fit into the power outlet only one way. This is a safety feature. If you are unable to insert the plug fully into the outlet, try reversing the plug. If the plug should still fail to fit, contact your electrician to replace your obsolete outlet. Do not defeat the safety purpose of the polarized plug.
12. Power Cord Protection. Power-supply cord should be routed so that it is not likely to be walked on or pinched by items placed upon or against it, paying particular attention to cords at plugs, convenience receptacles, and the point where they exit from the appliances.
13. Lightning. For added protection for this audio/video product during a lightning storm, or when it is left unattended and unused for long periods of time, unplug it from the wall outlet and disconnect the antenna or cable system. This will prevent damage to the product due to lightning and power-line surges.
14. Power Lines. An outside antenna system should not be located in the vicinity of overhead power lines or other electric light or power circuits, or where it can fall into such power lines or circuits. When installing an outside antenna system, extreme care should be taken to keep from touching such power lines or circuits as contact with them might be fatal.
15. Overloading. Do not overload wall outlets and extension cords as this can result in a risk of fire or electric shock.
16. Object and Liquid Entry. Never push objects of any kind into this product through openings, as they may touch dangerous voltage points or short out parts that could result in a fire or electric shock. Never spill liquid of any kind on this audio/video product.
17. Servicing. Do not attempt to service this product yourself, as opening or removing covers may expose you to dangerous voltage or other hazards. Refer all servicing to qualified service personnel.

18. Damage Requiring Service. Unplug this product from wall outlets and refer servicing to qualified service personnel under the following conditions:
 - a. When the power supply cord or plug is damaged.
 - b. If liquid has been spilled, or objects have fallen into the product.
 - c. If the product has been exposed to rain or water.
 - d. If the product does not operate normally by following the operating instructions. Adjust only those controls that are covered by the operating instructions, as an improper adjustment of other controls may result in damage and will often require extensive work by a qualified technician to restore the product to its normal operation.
 - e. If the product has been dropped or the cabinet has been damaged.
 - f. When the product exhibits a distinct change in performance this indicates a need for service.
19. Replacement Parts. When replacement parts are required, be sure the service technician has used replacement parts specified by the manufacturer or that the parts have the same characteristics as the original part. Unauthorized substitutions may result in fire, electric shock or other hazards.
20. Safety Check. Upon completion of any service or repairs to this product, ask the service technician to perform safety checks to determine that the products are in proper operating condition.
21. Carts and Stands. The appliances should be used only with a cart or stand that is recommended by the manufacturer. An appliance and cart combination should be moved with care. Quick stops, excessive force, and uneven surfaces may cause the appliance and cart combination to overturn. Use caution when moving the cart/apparatus combination to avoid injury from tip-over.
22. This product is not intended for use outdoors.



Safe Limits of Operation

Polk specifies the recommended amplification range for each of its passive (non-amplified) loudspeakers. Typically that specification will be expressed as a range of power such as 20-200 Watts (per channel). It is important to understand what those numbers mean when choosing a receiver or amplifier for your Polk loudspeakers. The lower number indicates the lowest continuous rated power that will yield acceptable performance in a typical listening environment. The higher number indicates the highest per channel power that should be used with your Polk speakers. That number should not be confused with a "Power Handling" specification, and it does not imply that the speaker will safely handle that full amount of power on a long-term basis. We specify a wide range of power ratings because not all electronics manufacturers use the same method for rating power. In fact, high quality lower-rated amplifiers sound better and play louder than low quality units with higher power rating.

Similarly, we recommend using amplifiers and receivers with rated power above the Power Handling limits of our speakers because having extra power available for short term peaks is conducive to better sound quality, maximum dynamic range and effortless high volume output. But we strongly urge you not to use the full power of your amplifier or receiver for daily listening.

Loudspeakers can be damaged when an amplifier, regardless of its wattage, is made to play at higher listening levels than its power can clearly produce. Operation at this level can result in very high levels of audible distortion originating in the amplifier, which can add a harsh, gritty sound to your listening material. If you hear distortion—turn the volume down or risk damaging your speakers. You can damage just about any speaker, regardless of power rating, if you drive an amplifier to or beyond the point of distortion.

Product Disposal

Certain international, national and/or local laws and/or regulations may apply regarding the disposal of this product. For further detailed information, please contact the retailer where you purchased this product or the Polk Importer/Distributor in your country. A listing of Polk Importer/ Distributors can be found on the Polk website www.polkaudio.com or by contacting Polk at: 5601 Metro Drive, Baltimore, Maryland 21215, USA. Phone: 1-410-358-3600; in California: 1-800-377-7655.



Take Inventory

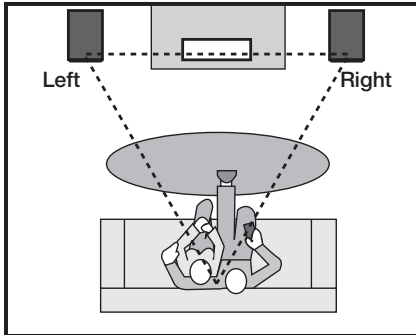
Inside each speaker container, you should find the following:

1. One TSx floorstanding speaker, two bookshelf speakers or one center channel speaker
2. TSx manual
3. Registration card
4. Adhesive-backed rubber pads—(8 for bookshelf speakers or 4 center channel speaker)
5. Wall mount template (for TSx110B bookshelf speakers only)

Important Note: If anything is missing or damaged, or if your speaker fails to operate, notify Polk Customer Support Services immediately at 800-377-7655.

Speaker Location

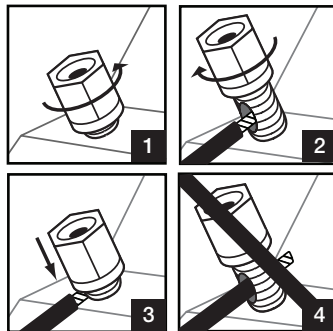
(550T, 440T, 330T, 220B & 110B)



Create an equilateral triangle between the speakers and the listening position. Toe-in to your listening preference. If you notice video distortion or discoloration, immediately move the speakers away from the video source and call Polk Customer Service 800-377-7655 (US and Canada) or polkcs@polkaudio.com.

Using Binding Post Connections

1. Loosen hex nut.
2. Insert speaker wire through hole.
3. Tighten hex nut.
4. Do not insert insulated section of speaker wire.



To use Banana Plugs (US only):
Carefully pry out the binding post plugs to expose banana plug holes.

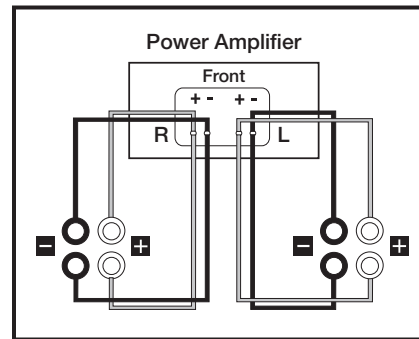
(This is for US owners only.)

Please observe the proper polarity

One of the terminals on the rear of the speaker is marked red (+) and the other black (-). Make certain that you connect the wire from the red (+) terminal of your receiver or amplifier to the red (+) terminal on your speaker, and the wire from the black (-) terminal of your receiver or amplifier to the black (-) terminal on your speaker. Most wire has some indication (such as color code, ribbing, or writing) on one of the two conductors to help maintain consistency.

Bi-Wiring

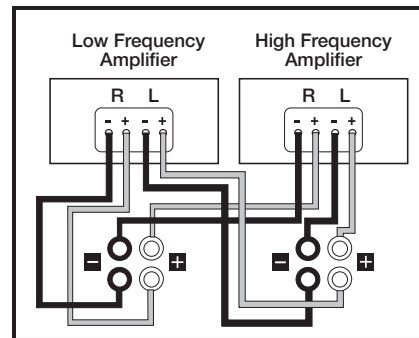
(550T, 440T & 330T)



Bi-wiring, or using separate speaker wire connections for high and low frequency sections. Remove flat metal jumpers.

Bi-Amping

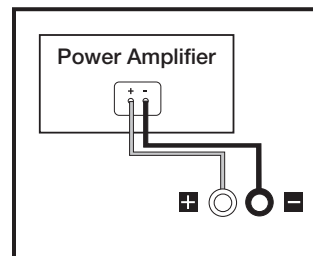
(550T, 440T & 330T)



Bi-amping, or using separate amplifiers for the low and high frequency sections of your speakers. Remove flat metal jumpers.

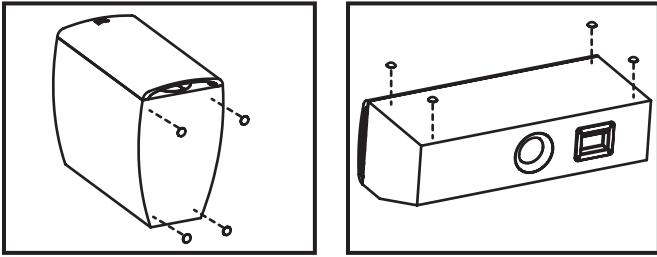
Basic Bookshelf and Center Speaker Hookup

(220B, 110B, 250c & 150c)



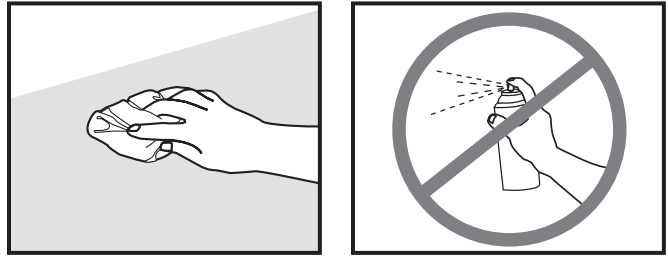
Set Bookshelf and Center Speakers to "small" in your receiver's Bass Management settings.

Adhesive-Backed Rubber Pads (220B, 110B, 250c & 150c)



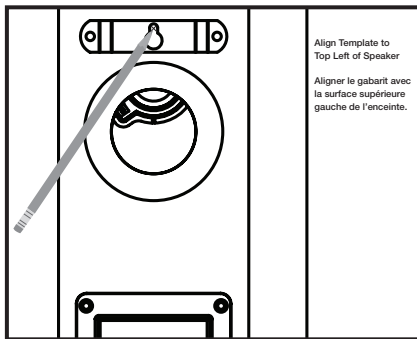
Peel and stick in corners of speaker enclosure.

Product Cleaning (550T, 440T, 330T, 220B, 110B, 250c & 150c)

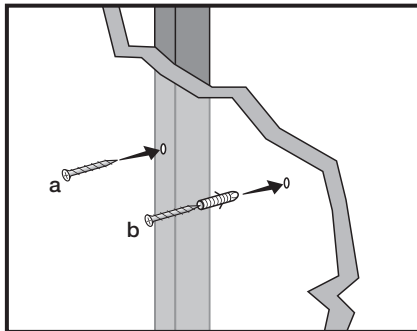


Clean cabinet with a damp cloth.
Do not use furniture polish on veneer.

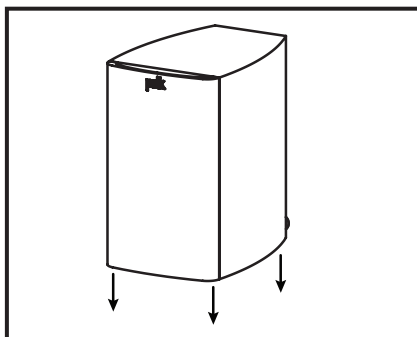
TSx110B Wall Mount Template



Use template to mark mounting location.



Use #10 panhead screw for wall stud (a), use #10 wall anchors
with appropriate weight rating + screw for no wall stud (b).
Leave screws 1/4" - 1/8" (4mm) exposed.



Slide the speaker down on the screw head
to catch the keyhole slots.

Specifications

For performance specifications on the TSx Series Speakers,
visit our website www.polkaudio.com.

Limited Warranty

Polk, Inc., warrants to the original retail purchaser only. This warranty will terminate automatically prior to its stated expiration if the original retail purchaser sells or transfers the product to any other party.

Polk Audio, Inc., warrants, to the original retail purchaser only, that the LOUDSPEAKER(S), PASSIVE CROSSOVER COMPONENT(S) and ENCLOSURE on this Polk Loudspeaker Product will be free from defects in material and workmanship for a period of five (5) years from the date of original retail purchase from a Polk Audio Authorized Dealer.

To allow Polk to offer the best possible warranty service, please register your new product online at: www.polkaudio.com/registration or call Polk customer service: Monday - Friday (9am -5:30pm ET) 800-377-7655 in the USA and Canada (outside the USA: 410-358-3600) within ten (10) days of the date of original purchase. Be sure to keep your original purchase receipt.

Defective Products must be shipped, together with proof of purchase, prepaid insured to the Polk Authorized Dealer from whom you purchased the Product, or to the Factory at 1 Viper Way, Vista, California 92081. Products must be shipped in the original shipping container or its equivalent; in any case the risk of loss or damage in transit is to be borne by you. If upon examination at the Factory or Polk Authorized Dealer it is determined that the unit was defective in materials or workmanship at any time during this Warranty period, Polk or the Polk Authorized Dealer will, at its option, repair or replace this Product at no additional charge, except as set forth below. All replaced parts and Products become the property of Polk. Products replaced or repaired under this warranty will be returned to you, within a reasonable time, freight prepaid.

This warranty does not include service or parts to repair damage caused by accident, disaster, misuse, abuse, negligence, inadequate packing or shipping procedures, commercial use, voltage inputs in excess of the rated maximum of the unit, cosmetic appearance of cabinetry not directly attributable to defect in materials or workmanship, or service, repair, or modification of the Product which has not been authorized or approved by Polk. This warranty shall terminate if the Serial number on the Product has been removed, tampered with or defaced.

This warranty is in lieu of all other expressed Warranties. If this Product is defective in materials or workmanship as warranted above, your sole remedy shall be repair or replacement as provided above. In no event will Polk, Inc. be liable to you for any incidental or consequential damages arising out of the use or inability to use the Product, even if Polk, Inc. or a Polk Authorized Dealer has been advised of the possibility of such damages, or for any claim by any other party. Some states do not allow the exclusion or limitation of consequential damages, so the above limitation and exclusion may not apply to you.

All implied warranties on this Product are limited to the duration of this expressed Warranty. Some states do not allow limitation on how long an implied Warranty lasts, so the above limitations may not apply to you. This Warranty gives you specific legal rights, and you also may have other rights which vary from state to state.

This Warranty applies only to Products purchased in Canada, the United States of America, its possessions, and U.S. and NATO armed forces exchanges and audio clubs. The Warranty terms and conditions applicable to Products purchased in other countries are available from the Polk Authorized Distributors in such countries.

Français

Consignes de Sécurité Importantes

Ce produit a été conçu et fabriqué pour répondre à de strictes normes de qualité et de sécurité. Veuillez cependant porter attention aux consignes de sécurité suivantes se rapportant à son installation et à son utilisation.

1. Lisez toutes les consignes de sécurité et d'utilisation avant d'utiliser cet appareil.
2. Conservez les instructions de sécurité et d'opération pour référence future.
3. Observez les consignes contenues dans ce manuel et affichées sur le produit.
4. Suivez toutes les instructions d'opération et d'utilisation
5. Nettoyage. Débranchez l'appareil avant de le nettoyer. N'utilisez jamais de nettoyant liquide ou en aérosol. Utilisez un chiffon humide.
6. Accessoires. N'utilisez jamais d'accessoires non recommandés par le fabricant. Ils pourraient provoquer un danger.
7. Eau et humidité. N'utilisez jamais cet appareil près d'une source d'eau ou d'humidité—par exemple près d'une baignoire, d'un évier, d'un lavabo ou dans un sous-sol humide ou près d'une piscine ou autre source d'eau.
8. Accessoires. Ne placez jamais ce produit audio-visuel sur un charriot, socle, meuble ou support instable. Le produit pourrait tomber, s'endommager et/ou blesser grièvement un enfant ou un adulte. Utilisez uniquement un charriot, socle, meuble ou support spécifié par le fabricant ou vendu avec le produit. Toute installation du produit doit se faire selon les directives du fabricant et en utilisant des accessoires recommandés par le fabricant.
9. Aération. Les ouvertures et les fentes situées sur le boîtier préviennent la surchauffe et assurent la fiabilité du produit et ne doivent jamais être couvertes ou obstruées. Elles ne doivent jamais être obstruées en plaçant le produit sur un lit, un sofa, un tapis ou autre surface similaire. Ce produit ne doit jamais être installé sur ou à proximité d'un radiateur ou d'un registre de chaleur. Ce produit ne doit pas être installé dans un meuble, une bibliothèque ou un bâti à moins d'assurer une aération adéquate ou d'observer les directives du fabricant.
10. Alimentation CA. Ce produit ne doit être utilisé qu'avec le type d'alimentation CA spécifié sur l'étiquette apposée au produit. Si vous ne connaissez pas le type d'alimentation utilisé dans votre région, communiquez avec le revendeur du produit ou avec votre fournisseur local d'électricité.
11. Mise à la terre et polarisation. Ce produit est muni d'une fiche d'alimentation CA polarisée (une des deux broches étant plus large que l'autre). Cette fiche ne peut être insérée dans la prise de courant que d'une seule façon. C'est un dispositif de sécurité. Si vous ne parvenez pas à bien insérer la fiche dans la prise de courant, renversez-la. Si vous ne parvenez toujours pas à insérer la fiche dans la prise de courant, faites remplacer la prise obsolète par un électricien. Ne contournez jamais le dispositif de sécurité de mise à la terre de la fiche polarisée.
12. Protection du cordon d'alimentation CA. Les cordons d'alimentation CA doivent être disposés hors des zones passantes où ils risquent d'être écrasés, pincés ou endommagés, particulièrement à proximité des prises de courant, des blocs multiprises et à la sortie de l'appareil.
13. Foudre et surtension. Pour assurer la protection de ce produit contre la foudre ou la surtension lorsqu'il n'est pas utilisé pour de longues périodes, débranchez son cordon d'alimentation de la prise de courant CA et déconnectez le système de câble ou d'antenne.
14. Lignes électriques. Une antenne extérieure ne doit pas être installée à proximité de lignes électriques aériennes ou autres dispositifs électriques ou d'éclairage sur lesquels elle pourrait tomber. Lors de l'installation d'une antenne extérieure, il est impératif de vous assurer que cette dernière ne pourra jamais entrer en contact avec de tels dispositifs ou lignes électriques. Il pourrait y avoir danger de mort.
15. Surcharge. Ne surchargez jamais les prises de courant, les rallonges ou les blocs multiprises; cela pourrait constituer un risque d'incendie ou de choc électrique.
16. Objets et liquides. N'insérez jamais d'objets dans les ouvertures de ce produit. Ils pourraient entrer en contact avec des points de voltage dangereux ou provoquer des courts-circuits; cela pourrait provoquer un risque d'incendie ou de choc électrique. Ne renversez jamais de liquides sur le produit.
17. Service. Ne tentez jamais de réparer ce produit vous-même car ouvrir son boîtier ou en retirer le couvercle pourrait vous exposer à des voltages dangereux ou à d'autres dangers. Confiez tout service à un technicien qualifié.
18. Dommages et service. Débranchez l'appareil de la prise CA et contactez un réparateur qualifié lorsque:
 - a. le cordon d'alimentation a été endommagé.
 - b. un objet ou du liquide s'est introduit dans le produit.
 - c. le produit a été exposé à la pluie ou à de l'eau.
 - d. le produit ne fonctionne pas normalement selon les instructions du fabricant. Réglez uniquement les contrôles spécifiés dans le manuel de l'utilisateur car le réglage inapproprié de certains autres contrôles pourrait endommager le produit et requérir l'intervention d'un réparateur qualifié pour le remettre en ordre. le produit a subi une chute ou son boîtier a été endommagé.
 - e. le produit ne semble pas fonctionner normalement—ce qui indique la nécessité de service.

19. Pièces de rechange—Lorsque des pièces de rechange sont requises, assurez-vous que le technicien de service utilise des pièces de rechange spécifiées par le fabricant ou des pièces ayant les mêmes caractéristiques que les pièces d'origine. Des substitutions non autorisées risquent de provoquer un incendie, des chocs électriques ou d'autres dangers.
20. Contrôle de sécurité—Après chaque contrôle technique ou réparation de cet appareil, demandez au technicien d'effectuer un contrôle pour assurer que l'appareil est en bon état de fonctionnement.
21. Chariots et socles. Les appareils doivent être utilisés uniquement avec des chariots ou des socles recommandés par le fabricant. Un appareil sur chariot doit être déplacé avec soin. Des arrêts soudains, une poussée excessive ou une surface inégale pourraient provoquer le renversement du chariot avec risque de blessures.
22. Ce produit n'est pas conçu pour utilisation extérieure.



Limites D'Opération

Polk spécifie la marge de puissance d'amplification recommandée pour chacun de ses haut-parleurs non amplifiés. Cette spécification est typiquement exprimée en watts par canal (par ex. 20-200 W/canal). Il est important de bien comprendre la signification de ces chiffres avant de choisir un amplificateur pour vos haut-parleurs Polk. Le premier chiffre indique la puissance nominale minimum requise pour assurer une performance adéquate dans une pièce de dimensions normales. Le deuxième chiffre indique la puissance nominale maximum admissible par vos haut-parleurs – ce chiffre ne doit pas être confondu avec la spécification «capacité de puissance» et n'implique pas que le haut-parleur peut soutenir cette puissance de façon continue. Nous spécifions une marge de puissance d'amplification étendue parce que les fabricants de composants électroniques n'utilisent pas toujours la même méthode pour déterminer la puissance admissible. En fait, les amplificateurs moins puissants de qualité supérieure donnent un meilleur rendement que les amplificateurs plus puissants de qualité inférieure.

C'est pour cette même raison que nous vous recommandons d'utiliser un amplificateur ou un récepteur d'une puissance nominale plus élevée que la capacité de puissance spécifiée pour vos haut-parleurs. En effet, cette réserve de puissance leur permettra de reproduire les crêtes sonores momentanées sans peine et sans distorsion, assurant une gamme dynamique optimale et une performance maximale—même à haut volume. Il est quand même fortement déconseillé d'écouter votre chaîne audio «à fond la caisse» en tout temps.

Un haut-parleur peut être endommagé lorsqu'un amplificateur, quelle que soit sa puissance, est poussé au-delà de ses limites. L'amplificateur surchargé génère alors un niveau élevé de distorsion audible, le son devenant rauque et éraillé. Si vous entendez de la distorsion, baissez le volume sinon vous risquez d'endommager vos haut-parleurs. Un haut-parleur, quelle que soit sa capacité de puissance, risque d'être endommagé lorsque l'amplificateur est poussé au-delà de ses limites et génère de la distorsion.

Récupération du Produit

Certaines lois ou certains règlements internationaux, nationaux et/ou régionaux pourraient s'appliquer à la récupération de ce produit. Pour plus d'information, communiquez avec le revendeur de ce produit ou avec l'importateur/distributeur de ce produit dans votre pays. Vous trouverez la liste des importateurs/distributeurs des produits Polk sur le site www.polkaudio.com ou en communiquant avec Polk: 5601 Metro Drive, Baltimore, Maryland 21215, USA—Tél.: +1 410 358-3600



Inventaire

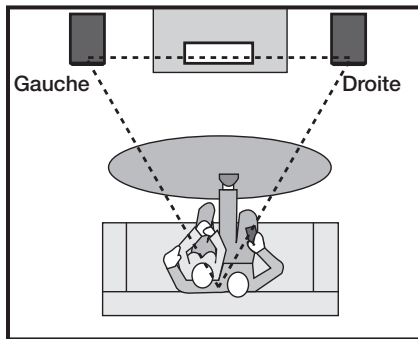
Chaque boîte de haut-parleur devrait contenir:

1. Une enceinte colonne TSx, deux enceintes d'étagère ou une enceinte centraler
2. Un manuel TSx
3. Une carte d'enregistrement
4. Coussinets de caoutchouc autoadhésifs—(8 pour les enceintes d'étagère ou 4 pour une enceinte centrale)
5. Gabarit pour installation murale (pour les enceintes d'étagère TSx110B seulement)

Note Importante: Si vous constatez des dommages ou l'absence de pièces, ou si votre enceinte ne fonctionne pas, contactez le Service à la Clientèle de Polk au 800-377-7655.

Emplacement des Enceintes

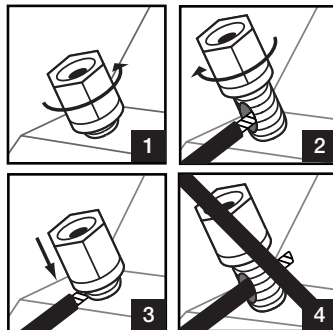
(550T, 440T, 330T, 220B & 110B)



Créez un triangle équilatéral entre les deux enceintes et votre position d'écoute puis orientez les enceintes selon vos préférences. Cependant, si vous constatez de la distorsion ou décoloration vidéo, éloignez immédiatement l'enceinte de l'écran et contactez le service à la clientèle de Polk au (800) 377-7655 (É.U. et Canada) ou par courriel: polkcs@polkaudio.com.

Utilisation des Bornes de Connexions

1. Desserrer l'écrou.
2. Insérer le fil du haut-parleur dans le trou.
3. Serrer l'écrou.
4. Ne pas insérer la partie isolée du fil du haut-parleur.



To use Banana Plugs (US only):
Carefully pry out the binding post plugs to expose banana plug holes.

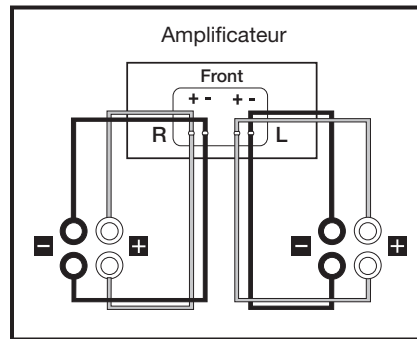
(This is for US owners only.)

Respectez la polarité

Une des bornes à l'arrière de l'enceinte est rouge (+) et l'autre noire (-). Assurez-vous de bien raccorder le fil provenant de la borne rouge (+) de votre ampli/récepteur à la borne rouge (+) de votre enceinte et le fil provenant de la borne noire (-) de votre ampli/récepteur à la borne noire (-) de votre enceinte. La polarité de la plupart des fils à deux conducteurs est codée (couleur, nervure ou écriture) pour faciliter son identification.

Bi-Câblage

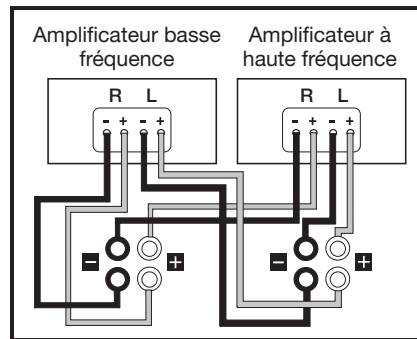
(550T, 440T & 330T)



Bi-câblage: l'utilisation de câbles distincts pour alimenter séparément les composants des hautes et des basses fréquences de vos enceintes. Retirez les cavaliers métalliques plats.

Bi-Amplification

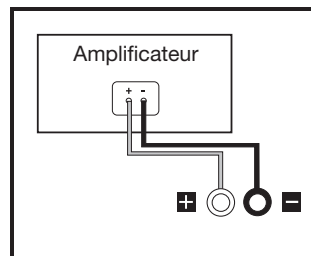
(550T, 440T & 330T)



Bi-amplification: l'utilisation d'amplis distincts pour alimenter séparément les composants des hautes et des basses fréquences de vos enceintes. Retirez les cavaliers métalliques plats.

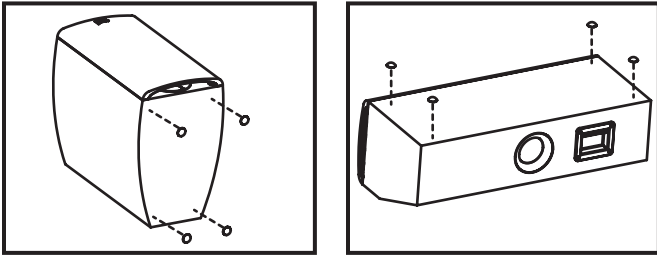
Connexion des Enceintes D'Étagère et de L'Enceinte de Canal Central

(220B, 110B, 250c & 150c)



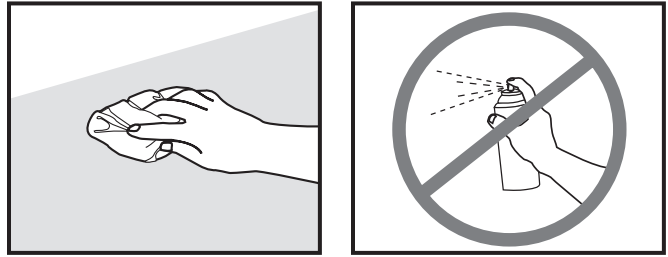
Pour les enceintes d'étagère et centrale, du menu de «gestion des graves» de votre récepteur (Bass Management settings), sélectionnez «small.»

Tampons Autoadhésifs en Caoutchouc (220B, 110B, 250c & 150c)



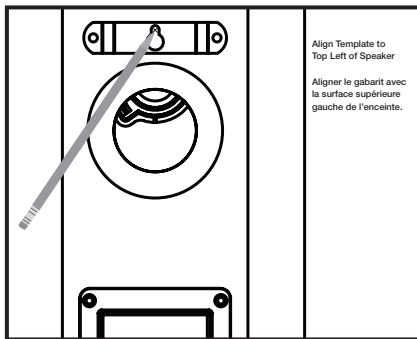
Retirez la pellicule et fixez les coussinets aux quatre coins de l'enceinte.

Nettoyage du Produit (550T, 440T, 330T, 220B, 110B, 250c & 150c)

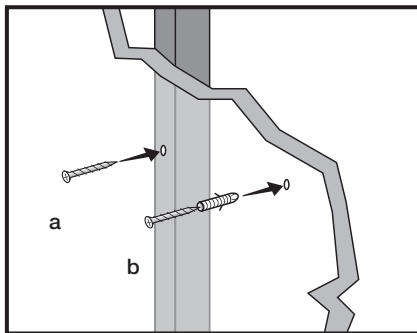


Nettoyez l'enceinte avec un chiffon humide.
N'utilisez pas de poli à meubles.

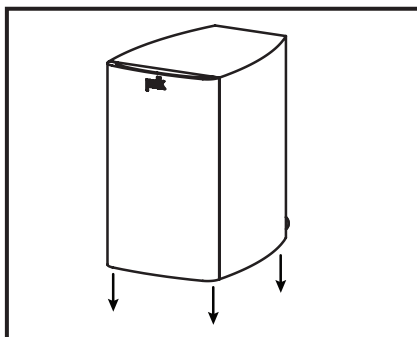
TSx110B Gabarit pour Installation Murale



Utilisez le gabarit pour marquer le lieu de fixation.



Utilisez des vis #10 à tête cylindrique pour fixation sur un montant de mur (a). Utilisez des ancrs de fixation #10 à portance appropriée avec vis conforme s'il n'y a pas de montant à l'endroit choisi (b). Laissez les vis dépasser de 1/4" (6mm) à 1/8" (4mm).



Glissez l'enceinte sur les têtes de vis jusqu'à ce que les encoches en trou de serrure s'enclenchent.

Fiche Technique

Pour la fiche technique des enceintes TSx Series, visitez notre site web: www.polkaudio.com.

Garantie Limitée

La garantie de Polk, Inc., n'est valide que pour l'acheteur au détail original. La garantie sera automatiquement annulée avant sa date d'expiration spécifiée si l'acheteur original vend ou transfère le produit à tout autre parti. Polk, Inc., garantit—à l'acheteur au détail original seulement—que le ou les HAUT-PARLEUR(S), COMPOSANTE(S) DE FILTRE PASSIF et CAISSON(S) de ce produit Polk seront exempts de tout défaut attribuable aux pièces d'origine et à la main d'oeuvre pour une période de cinq (5) ans à partir de la date de l'achat au détail original chez un revendeur agréé Polk.

Pour permettre à Polk de vous offrir le meilleur service de garantie possible, veuillez enregistrer votre nouveau produit en ligne à l'adresse web: www.polkaudio.com/registration - ou contactez le Service à la Clientèle de Polk: Monday - Friday (9am -5:30pm ET) au 800-377-7655 aux États-Unis et au Canada (à l'extérieur des É.U.:410-358-3600) dans les dix (10) jours suivant la date de l'achat original. Assurez-vous de conserver votre reçu d'achat original.

Les produits défectueux doivent être expédiés, avec une preuve d'achat, francs de port et assurés, au revendeur agréé Polk de qui vous avez acheté le produit, ou à l'usine Polk, 1 Viper Way, Vista, California 92081. Les produits doivent être expédiés dans leur carton d'expédition original ou dans un contenant équivalent. Le propriétaire doit assumer tout risque de perte ou de dommage en transit.

Si, suite à l'examen du produit à l'usine Polk ou chez le marchand agréé Polk, il est déterminé que la défectuosité est imputable aux matériaux d'origine ou à la main d'oeuvre au cours de la période de la garantie spécifiée, Polk ou le revendeur Polk, à sa guise, réparera ou remplacera le produit sans frais additionnels et selon les conditions décrites ci-dessous. Toute pièce ou produit remplacé devient la propriété de Polk. Les produits réparés ou remplacés sous la garantie vous seront expédiés francs de port dans un délai raisonnable. Cette garantie n'inclut pas le service ou les pièces nécessaires à la réparation des dommages provoqués par accident, désastre, abus, négligence, mode d'expédition

ou emballage inadéquat, utilisation commerciale, tensions supérieures au maximum prescrit pour l'unité, aspect visuel du meuble non directement attribuable à un défaut de pièces d'origine ou de main d'oeuvre, ou par le service, la réparation, ou toute modification du produit qui n'a pas été autorisé ou approuvé par Polk. Cette garantie sera annulée si le numéro de série sur le produit a été enlevé, altéré ou falsifié.

Cette garantie prend préséance sur toutes autres garanties énoncées. Si la défectuosité de ce produit est imputable aux pièces d'origine ou à la main d'oeuvre selon les conditions de la garantie exprimées ci-dessus, votre seul recours sera la réparation ou le remplacement selon les conditions décrites ci-dessus.

Dans aucun cas Polk, Inc. pourra-t-elle être tenue responsable pour tout dommage accessoire ou indirect causé par l'utilisation ou par l'incapacité d'utilisation du produit, même si Polk, Inc. ou un revendeur agréé Polk, a été avisé de la possibilité de tel dommage, ou pour toute réclamation par tout autre parti. Certains états ne permettant pas l'exclusion ou la limitation des dommages indirects, les limitations et exclusions exprimées ci-dessus pourraient ne pas s'appliquer dans votre cas.

Toutes les garanties tacites sur ce produit sont limitées à la durée de la garantie énoncée. Certains états ne permettant pas la limitation de la durée d'une garantie tacite, les limitations ci-dessus pourraient ne pas s'appliquer dans votre cas. Cette garantie vous accorde des droits légaux spécifiques; vous pourriez également avoir d'autres droits qui pourraient varier d'état en état.

Cette garantie s'applique seulement aux produits achetés au Canada, aux États-Unis d'Amérique et ses possessions, et dans les clubs audio et d'échange des forces armées des É.U. et de l'OTAN. Les modalités et les conditions de garantie applicables aux produits achetés dans d'autres pays sont disponibles chez les distributeurs agréés Polk établis dans ces pays.

Español

Instrucciones Importantes de Seguridad

Este producto ha sido diseñado y fabricado para satisfacer estrictas normas de calidad y seguridad. Sin embargo, hay ciertas precauciones de operación e instalación que usted debe tener en cuenta en particular.

1. Lea las instrucciones. Todas las instrucciones de seguridad y operación deben leerse antes de operar el sistema.
2. Guarde las instrucciones. Las instrucciones de seguridad y operación deben guardarse para poder consultarlas en el futuro.
3. Respete las advertencias. Todas las advertencias escritas en los aparatos y en las instrucciones de operación deben respetarse.
4. Siga las instrucciones. Todas las instrucciones de operación y uso deben seguirse.
5. Limpieza. Antes de limpiar el aparato, desenchúfelo del tomacorriente. No use limpiadores líquidos ni en aerosol. Limpie el producto con un paño húmedo.
6. Agregados. No utilice agregados que el fabricante del producto no haya recomendado, porque pueden causar peligros.
7. Agua y humedad. No use el aparato cerca del agua; por ejemplo, cerca de una bañera, lavabo, fregadero de cocina o lavandería, en un subterráneo húmedo, ni cerca de una piscina o lugares similares.
8. Accesorios. No coloque el aparato en carritos, pedestales, trípodes, soportes o mesas inestables. El producto de audio/video puede caerse y causar lesiones graves a niños o adultos y daños graves al producto. Use el aparato solamente con el carrito, pedestal, trípode, soporte o mesa recomendado por el fabricante o vendido con el aparato. Todo montaje del aparato se debe hacer siguiendo las instrucciones del fabricante y con los accesorios de montaje recomendados por el fabricante.
9. Ventilación. Las ranuras y aberturas de la caja son para ventilar el aparato, asegurar su funcionamiento confiable y evitar que se sobrecaliente; por lo tanto, no se deben ni bloquear ni cubrir. Las aberturas no se deben bloquear nunca poniendo el aparato en una cama, un sofá, una alfombra u otra superficie similar. Este producto no se debe colocar nunca sobre un radiador o una rejilla de calefacción. Este producto no se debe instalar en una estructura empotrada, tal como una estantería o un librero, a menos que se le dé ventilación apropiada o se respeten las instrucciones del fabricante.
10. Fuentes de alimentación. Este producto debe funcionar conectado exclusivamente a una fuente de alimentación del tipo indicado en sus etiquetas. Si no está seguro del tipo de fuente de alimentación de su casa, consulte al distribuidor de aparatos o a la compañía local de electricidad.
11. (Sólo América del Norte) Conexión a tierra o polarización. Este producto viene equipado con enchufes de línea de alimentación de corriente alterna polarizados (una pata más ancha que la otra). Como medida de seguridad, este enchufe entra en el tomacorriente de una manera solamente. Si no puede insertar completamente el enchufe, déle vuelta. Si aun así no entra, consulte a un electricista para que cambie el tomacorriente obsoleto. No anule la seguridad implícita en el enchufe polarizado.
12. Protección del cordón de alimentación. Encamine el cordón de alimentación de manera que sea poco probable que sea pisado o aplastado por objetos que se le coloquen encima o se le apoyen, en particular cerca del enchufe, cerca del tomacorriente y en el punto en que el cordón sale del aparato.
13. Rayos. Para aumentar la protección de este producto de audio/video durante una tormenta eléctrica, o cuando se deje solo o no se use durante largos períodos de tiempo, desenchúfelo del tomacorriente y desconecte la antena o el sistema de cable. Esto evitará daños al producto causados por rayos o subidas de voltaje.
14. Líneas de alta tensión. El sistema de antena exterior no debe colocarse cerca de líneas de alta tensión suspendidas u otros circuitos de alimentación o luz eléctrica, ni donde al caer pueda hacer contacto con tales líneas o circuitos de alimentación. Cuando instale un sistema de antena externa, debe tener sumo cuidado de evitar tocar tales circuitos o líneas de alta tensión, pues tal contacto puede ser mortal.
15. Sobrecarga. No sobrecargue los tomacorrientes ni las extensiones, pues esto puede dar como resultado un peligro de incendio o descarga eléctrica.
16. Entrada de objetos y líquidos. Nunca meta objetos de ningún tipo en este producto a través de las aberturas, pues pueden hacer contacto con puntos de voltajes peligrosos o hacer cortocircuitos que podrían causar un incendio o una descarga eléctrica. Nunca derrame líquidos de ningún tipo sobre este producto de audio/video.
17. Servicio. No intente hacerle servicio a este producto usted mismo, pues abrirlo o quitarle las cubiertas puede exponerlo a usted a voltajes peligrosos u otros peligros. Encargue todo servicio al personal de servicio calificado.
18. Daños que requieren servicio. Desenchufe el producto y encargue el servicio al personal de servicio calificado cuando:
 - a. Se haya dañado el enchufe o el cordón de alimentación.
 - b. Hayan caído líquidos u objetos dentro del aparato.
 - c. El producto haya sido expuesto a la lluvia o a la humedad.

- d. El producto haya dejado de funcionar normalmente a pesar de que se hayan seguido las instrucciones. Ajuste sólo los controles mencionados en las instrucciones de operación, pues ajustar incorrectamente otros controles puede causar daños y, a menudo, restablecer el funcionamiento normal del producto requerirá un extenso trabajo técnico calificado.
 - e. El producto se haya dejado caer o la caja haya sido dañada.
 - f. El producto manifieste un cambio notable de rendimiento; esto indica la necesidad de servicio.
19. Piezas de repuesto. Cuando se requieran piezas de repuesto, asegúrese de que el técnico de servicio haya utilizado las piezas de repuesto especificadas por el fabricante o que las piezas tengan las mismas características que la pieza original. Las sustituciones no autorizadas pueden dar como resultado un incendio, una descarga eléctrica u otros peligros.
 20. Revisión de seguridad. Al terminar cualquier servicio o reparación de este producto, pídale al técnico de servicio que lleve a cabo verificaciones de seguridad para determinar que el producto esté en buenas condiciones de funcionamiento.
 21. Carritos y pedestales. El aparato se debe utilizar solamente con el carrito o pedestal recomendado por el fabricante. Las combinaciones de aparato y carrito deben moverse cuidadosamente. Parar repentinamente, ejercer demasiada fuerza y pasar por superficies desniveladas puede hacer que la combinación de aparato y carrito se vuelque. Tenga cuidado cuando mueva la combinación de aparato y carrito para evitar lesiones causadas por volcamiento.
 22. Este producto no es para usar al aire libre.



Límites de Seguridad de Funcionamiento

Polk especifica el intervalo de amplificación recomendado para cada uno de sus altavoces pasivos (sin amplificación). Por lo general, la especificación se presenta en forma de intervalo de potencia, tal como 20 a 200 W (por canal). Es importante entender lo que estos números significan cuando se escoge un receptor o un amplificador para los altavoces Polk. El número inferior indica la potencia nominal continua mínima que produce fidelidad aceptable en un ambiente normal de audición. El número superior indica la potencia máxima por canal que se puede aplicar a los altavoces Polk. Estos números no se deben confundir con la especificación de "procesamiento de potencia" ni implican que el altavoz puede procesar con seguridad esa potencia total durante un largo período de tiempo. Especificamos una amplia gama de valores nominales de potencia porque los fabricantes de dispositivos electrónicos calculan la potencia nominal de diferentes maneras. De hecho, los amplificadores de alta calidad con baja potencia nominal suenan mejor y más fuerte que las unidades de baja calidad con alta potencia nominal.

De manera similar, recomendamos amplificadores y receptores con valores de potencia nominal por encima de los límites de procesamiento de potencia de nuestros altavoces, dado que disponer de potencia adicional para máximos de corta duración produce mejor calidad de sonido, máxima gama dinámica y salida de alto volumen sin esfuerzo. No obstante, recomendamos enfáticamente no escuchar música todos los días a la potencia máxima del amplificador o receptor.

Los altavoces se pueden dañar cuando el amplificador, independientemente de su potencia en vatios, funciona a niveles de audición mayores de los que su potencia puede producir claramente. El funcionamiento a este nivel puede dar como resultado alta distorsión audible originada en el amplificador, que puede agregar un sonido discordante y arenoso al material de audición. Si oye distorsión, baje el volumen o arriéguese a dañar los altavoces. Cualquier altavoz se puede dañar, independientemente de su potencia nominal, si el amplificador se hace funcionar más allá del punto de distorsión.

Eliminación del Producto

Es posible que haya leyes y/o reglamentos internacionales, nacionales y/o locales sobre la eliminación de este producto. Para obtener información más detallada, comuníquese con el distribuidor a quien le compró este producto de Polk o al importador o distribuidor en su país. Puede obtener una lista de importadores y distribuidores de Polk en el sitio Web de Polk, www.polkaudio.com, o comuni-cándose con Polk: 5601 Metro Drive, Baltimore, Maryland 21215, USA. Teléfono: +1 410 358-3600.



Haga Inventario

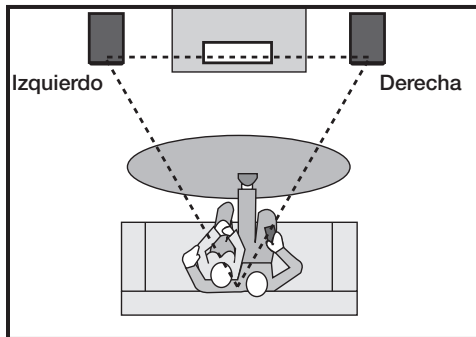
Dentro de cada contenedor de altavoz, debe haber lo siguiente:

1. Un altavoz TSx de piso, dos altavoces de estantería o un altavoz de canal central
2. Un manual TSx
3. Una tarjeta de registro
4. Almohadillas adhesivas de goma—(8 para altavoces de estantería o 4 para altavoces de canal central)
5. Una plantilla de montaje en la pared (sólo altavoces de estantería TSx110B)

Nota importante: Si alguna pieza falta o está dañada, o si el altavoz no funciona, comuníquese inmediatamente con Servicios de Apoyo al Cliente, llamando al 800-377-7655.

Ubicación de los Altavoces

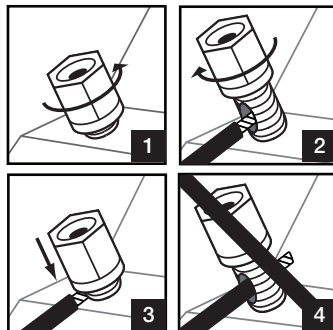
(550T, 440T, 330T, 220B & 110B)



Forme un triángulo equilátero con los altavoces y la posición del oyente. Oriente los altavoces de acuerdo con su preferencia. Si nota distorsión o decoloración de la imagen, aleje inmediatamente los altavoces de la fuente de video y comuníquese con el Servicio al Cliente de Polk llamando al 800-377-7655 (en EE.UU. y Canadá) o enviando un mensaje de correo electrónico a polkcs@polkaudio.com.

Uso de Conexiones con Tornillos de Presión

1. Afloje la tuerca hexagonal.
2. Inserte el cable de altavoz a través del agujero.
3. Enrosque la tuerca de nuevo.
4. No inserte la parte aislada del cable de altavoz.



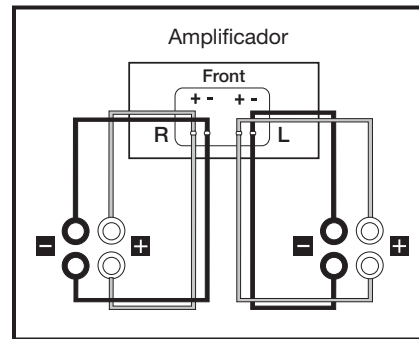
To use Banana Plugs (US only):
Carefully pry out the binding post plugs to expose banana plug holes.
(This is for US owners only.)

Mantenga la polaridad correcta.

Observe que una de las terminales en la parte posterior del altavoz es roja (+) y la otra es negra (-). Conecte el cable de la terminal roja (+) del amplificador o receptor a la terminal roja (+) del altavoz, y el cable de la terminal negra (-) del amplificador o receptor a la terminal negra (-) del altavoz. La mayoría de los cables tienen alguna indicación (tal como un código de colores, una nevadura o un texto) en uno de los dos conductores para mantener la coherencia de la instalación.

Cableado Doble

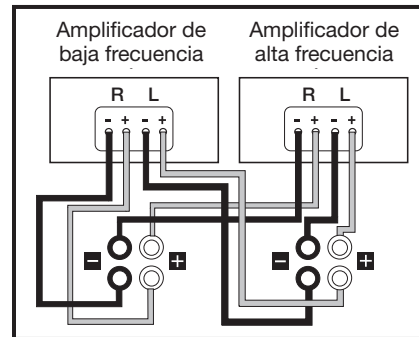
(550T, 440T & 330T)



Cableado doble. Conexiones de cable de altavoz separadas para las secciones de frecuencias altas y frecuencias bajas. Quite los puentes de metal planos.

Amplificación Doble

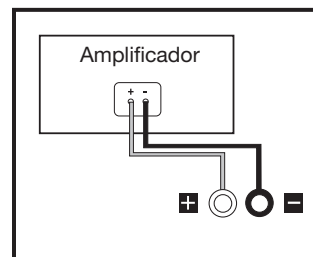
(550T, 440T & 330T)



Amplificación doble. Amplificadores separados para las secciones de frecuencias altas y frecuencias bajas de los altavoces. Quite los puentes de metal planos.

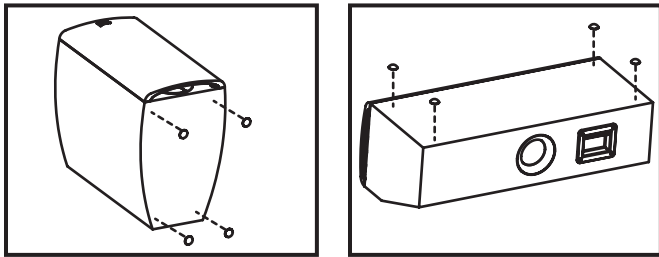
Conexión básica de altavoces de estantería y canal central.

(220B, 110B, 250c & 150c)



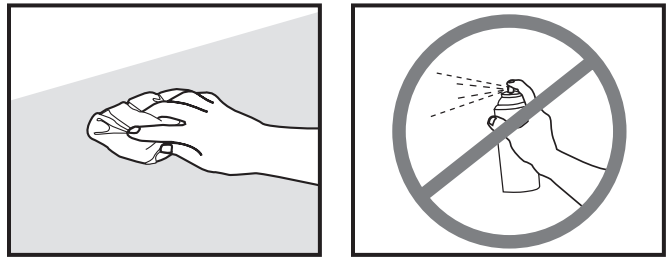
En la administración de bajos del receptor, fije en "pequeño" (small) la configuración de los altavoces de estantería y de canal central.

Almohadillas Adhesivas por Ambos Lados (220B, 110B, 250c & 150c)



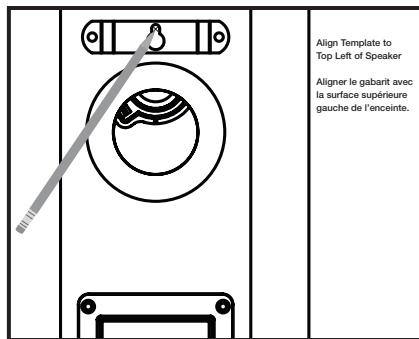
Pele y pegue en las esquinas de la caja de altavoz.

Limpieza del Producto (550T, 440T, 330T, 220B, 110B, 250c & 150c)

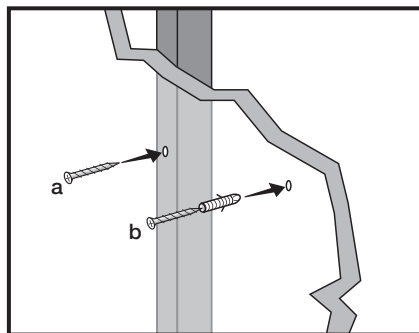


Limpie la caja con un paño húmedo.
No limpie la caja con lustramuebles.

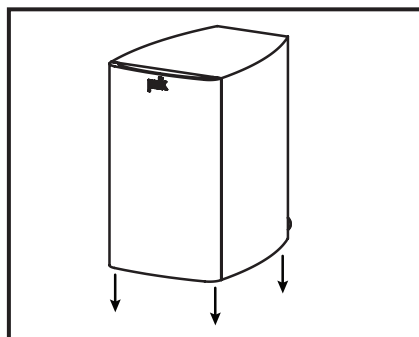
TSx110B Plantilla de Montaje en la Pared



Marque la ubicación de montaje con la plantilla.



Utilice tornillos n° 10 con cabeza troncocónica en paredes con parales internos (a). Utilice tornillos y anclas de pared n° 10 con valor nominal de peso adecuado en paredes sin parales internos (b). Deje que el tornillo sobresalga de 1/4 de plg. a 1/8 de plg. (6mm a 4mm).



Deslice el altavoz sobre las cabezas de los tornillos hasta engancharlos en las ranuras en forma de cerradura de los altavoces.

Especificaciones

Para ver especificaciones de rendimiento de los altavoces de la serie TSx, visite nuestro sitio web www.polkaudio.com.



Polk
5601 Metro Drive
Baltimore, Maryland 21215
(800) 377-7655

Polk is a DEI Holdings, Inc. Company.
Polk is a trademark of Polk, Inc.

HBP2742

Free Manuals Download Website

<http://myh66.com>

<http://usermanuals.us>

<http://www.somanuals.com>

<http://www.4manuals.cc>

<http://www.manual-lib.com>

<http://www.404manual.com>

<http://www.luxmanual.com>

<http://aubethermostatmanual.com>

Golf course search by state

<http://golfingnear.com>

Email search by domain

<http://emailbydomain.com>

Auto manuals search

<http://auto.somanuals.com>

TV manuals search

<http://tv.somanuals.com>