

**polk**audio®

**ATRIUM SAT30**  
OUTDOOR SATELLITE

**ATRIUM SUB10**  
OUTDOOR SUBWOOFER

**OWNERS MANUAL**

**MANUEL D'UTILISATION**

**MANUAL DEL PROPIETARIO**

**IMPORTANT SAFETY INSTRUCTIONS**

This product was designed and manufactured to meet strict quality and safety standards. There are, however, some installation and operation precautions which you should be particularly aware of.

1. Read Instructions. All the safety and operating instructions should be read before the system is operated.
2. Retain Instructions. The safety and operating instructions should be retained for future reference.
3. Heed Warnings. All warnings on the appliances and in the operating instructions should be adhered to.
4. Follow Instructions. All operating and use instructions should be followed.
5. Cleaning. Unplug the appliance from wall outlet before cleaning. Do not use liquid cleaners or aerosol cleaners. Use a damp cloth for cleaning.
6. Attachments. Do not use attachments not recommended by the product manufacturer as they may cause hazards.
7. Accessories. Do not place these appliances on an unstable cart, stand, tripod, bracket, or table. The audio/video products may fall, causing serious injury to a child or adult, and serious damage to the products. Use only with a cart, stand, tripod, bracket, or table recommended by the manufacturer, or sold with the appliances. Any mounting of the appliances should follow the manufacturer's instructions, and should use mounting accessories recommended by the manufacturer.
8. Power Sources. This product should be operated only from the type of power source indicated on the marking labels. If you are not sure of the type of power supply to your home, consult your appliance dealer or local power company.
9. Lightning. For added protection for this audio/video product during a lightning storm, or when it is left unattended and unused for long periods of time, unplug it from the wall outlet and disconnect the antenna or cable system. This will prevent damage to the product due to lightning and power-line surges.
10. Object and Liquid Entry. Never push objects of any kind into this product through openings, as they may touch dangerous voltage points or short out parts that could result in a fire or electric shock. Never spill liquid of any kind on this audio/video product.
11. Servicing. Do not attempt to service this product yourself, as opening or removing covers may expose you to dangerous voltage or other hazards. Refer all servicing to qualified service personnel.
12. Damage Requiring Service. Unplug this product from wall outlets and refer servicing to qualified service personnel under the following conditions:
  - a. If liquid has been spilled, or objects have fallen into the product.
  - b. If the product does not operate normally by following the operating instructions. Adjust only those controls that are covered by the operating instructions, as an improper adjustment of other controls may result in damage and will often require extensive work by a qualified technician to restore the product to its normal operation.
  - c. If the product has been dropped or the cabinet has been damaged.
  - d. When the product exhibits a distinct change in performance—this indicates a need for service.
13. Replacement Parts. When replacement parts are required, be sure the service technician has used replacement parts specified by the manufacturer or that the parts have the same characteristics as the original part. Unauthorized substitutions may result in fire, electric shock or other hazards.
14. Safety Check. Upon completion of any service or repairs to this product, ask the service technician to perform safety checks to determine that the products are in proper operating condition.

**SAFE LIMITS OF OPERATION**

Polk Audio specifies the recommended amplification range for each of its passive (non-amplified) loudspeakers. Typically that specification will be expressed as a range of power such as 20-200 Watts (per channel). It is important to understand what those numbers mean when choosing a receiver or amplifier for your Polk Audio loudspeakers. The lower number indicates the lowest continuous rated power that will yield acceptable performance in a typical listening environment. The higher number indicates the highest per channel power that should be used with your Polk Audio speakers. That number should not be confused with a "Power Handling" specification and it does not imply that the speaker will safely handle that full amount of power on a long-term basis. We specify a wide range of power ratings because not all electronics manufacturers use the same method for rating power. In fact, high quality lower-rated amplifiers sound better and play louder than low quality units with higher power rating.

Automobile horsepower is a good analogy. Your car probably has far more horsepower than it needs for your daily commute and is likely capable of going well over 120mph (190km/hr). Having that extra power is good for on-ramp acceleration and danger avoidance (like getting away from brain-eating zombies) but that doesn't mean that it is advisable to operate your car on North American highways at full power and maximum speed for an extended period of time. Just ask your local state trooper if you are in doubt. Similarly, we recommend using amplifiers and receivers with rated power above the power handling limits of our speakers because having extra power available for short term peaks is conducive to better sound quality, maximum dynamic range and effortless high volume output. But we strongly urge you not to use the full power of your amplifier or receiver for daily listening.

Loudspeakers can be damaged when an amplifier, regardless of its wattage, is made to play at higher listening levels than its power can clearly produce. Operation at this level can result in very high levels of audible distortion originating in the amplifier, which can add a harsh, gritty sound to your listening material. If you hear distortion—turn the volume down or risk damaging your speakers. You can damage just about any speaker, regardless of power rating, if you drive an amplifier to or beyond the point of distortion.

**PRODUCT DISPOSAL**

Certain international, national and/or local laws and/or regulations may apply regarding the disposal of this product. For further detailed information, please contact the retailer where you purchased this product or the Polk Audio Importer/ Distributor in your country. A listing of Polk Audio Importer/ Distributors can be found on the Polk Audio website [www.polkaudio.com](http://www.polkaudio.com) or by contacting Polk Audio at: 5601 Metro Drive, Baltimore, Maryland 21215, USA  
Phone: +1 410 358-3600.

**TECHNICAL ASSISTANCE OR SERVICE**

If, after following the hookup directions, you experience difficulty, please double-check all wire connections. Should you isolate the problem to the speaker, contact the authorized Polk Audio dealer where you made your purchase, or contact Polk Audio Customer Service 800-377-7655 (M-F, 9am-6pm EST, US & Canada only) or via email [polkcs@polkaudio.com](mailto:polkcs@polkaudio.com). Outside the US & Canada, call 410-358-3600. More detailed information including audio how-to articles, FAQs and online manuals are available on our award-winning website: [www.polkaudio.com/home](http://www.polkaudio.com/home).

## INVENTORY LIST

**Important Note:** If anything is missing or damaged, or if your speaker fails to operate, notify Polk Audio Customer Support Services immediately at 800-377-7655.

### Atrium Sat30 Satellite Carton Contents

- 1 Atrium Sat30 Satellite Loudspeaker (with attached bracket assembly)
- 1 Ground Stake
- 1 Security Plate
- 1 Rubber Bumper
- 1 Pendant Cap
- 1 Eyebolt (with nut)
- 1 1/4" Split Ring Lock Washer
- 2 #20 Wirenuts
- 1 #10 Pan Head Screw
- 2 #6 Pan Head Screws
- 2 Faston Connectors
- 1 Atrium Sat30/Sub10 Manual
- 1 Mounting Template
- 1 Registration Card
- 1 Product Brochure

### Atrium Sub10 Subwoofer Carton Contents

- 1 Atrium Sub10 Subwoofer
- 4 #20 Wirenuts
- 1 Atrium Sat30/Sub10 Manual
- 1 Mounting Template
- 1 Registration Card
- 1 Product Brochure

## PAINTING THE Sat30 LOUDSPEAKER

While the Atrium Sat30 has a color-impregnated finish that enables it to blend in with your landscaping and outdoor furnishings, the cabinet is paintable. Should you choose to paint your speakers, follow these instructions:

Before you begin, you will need:

- A spray can of primer paint (Krylon Sandable Spray Primer #1318).
- A spray can of the outdoor paint of your choice.
- A paperclip or thin blade (for removing the paintable grille).
- Masking tape.
- Paint mask (not included) to cover un-paintable parts.

## PREPARING TO PAINT

1. Separate the parts of the speaker: Remove the knob, clamp and bracket. Remove the grille by carefully hooking it with a bent paper clip or thin blade and prying it gently away from the cabinet.
2. Carefully mask off the following:
  - Driver
  - Tweeter
  - Terminals
  - Threaded Insert

## PAINTING THE CABINET, CLAMP, BRACKET KNOB AND BRACKET

1. Apply two thin coats of primer to the cabinet, clamp, knob and bracket.
2. When the primer is completely dry, apply the finish color. Multiple coats may be required for a consistent look.
3. When the paint is completely dry, remove the masking material.
4. Try to keep all handling of freshly painted parts to a minimum.

## PAINTING THE GRILLE

**Note:** Make sure the grille is removed and remove the logo badge before painting the grille.

1. Paint the Atrium Sat30 grille using a primer.
2. Using spray paint, spray two thin coats of finish color. If you're using a compressor and spray gun, use the finest, most diffuse setting. Be careful not to fill the holes in the grille with paint.
3. Paint the logo badge.
4. Replace the logo badge once the paint is completely dry on the badge and the grille.
5. Carefully fit the grille into its recess so that it is just resting on the cabinet. Go around the speaker and push the grille into the grille notch a little bit at a time. Be gentle; the grille may be easily bent out of shape by rough handling.

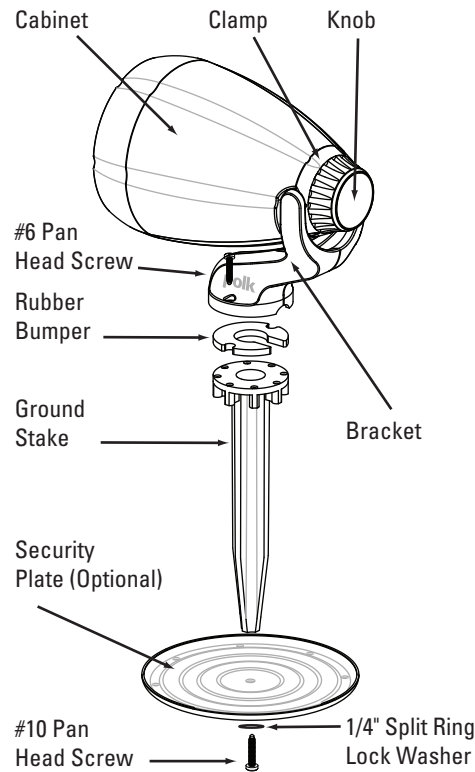
## MOUNTING THE ATRIUM Sat30

### GROUND MOUNT

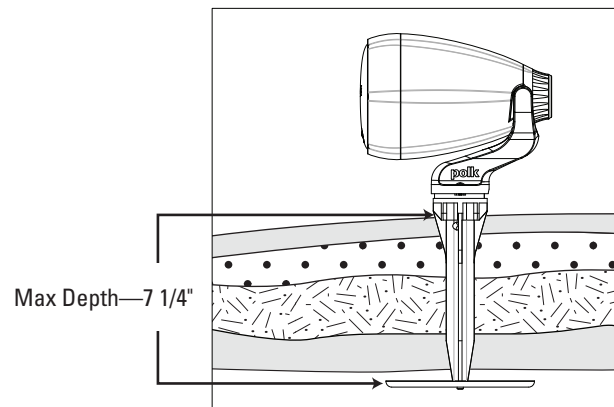
To mount the Sat30 into the ground with a security plate, you will need the following hardware:

- Sat30 Loudspeaker
- Ground Stake
- Security Plate
- Rubber Bumper
- 1 #10 Pan Head Screw (for security plate)
- (1) 1/4" Split Ring Lock Washer
- 2 #6 Pan Head Screws (for loudspeaker assembly to the stake)

### Exploded View Of Sat30



### Ground Mounting Depth



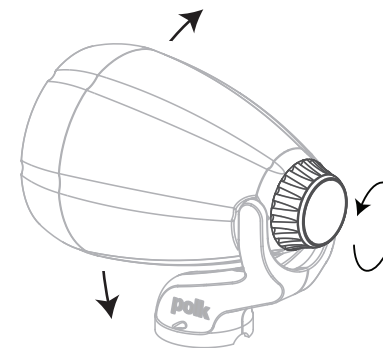
### Instructions:

1. Attach stake to security plate using the #10 pan head screw and 1/4" split ring lock washer.
2. Dig a hole to the diameter of the security plate (6 1/2") and to a depth (max 7 1/4" / min 2 1/4") that will stabilize and secure the speaker once the earth has been tamped down around the plate.
3. Place the stake/security plate assembly in the hole and cover with dirt, tamping down the soil with your foot as you fill in the hole.
4. Attach the Atrium Sat30 to the stake using the rubber bumper and the #6 pan head screws.
5. Loosen the knob to aim the speaker. When the speaker is aimed properly, tighten the knob.

**WARNING: Aiming the Sat30 to an angle greater than 45 degrees to the horizontal may result in water buildup inside the grille that could cause damage to the speaker, especially during cold weather when freezing may occur.**

### Ground Mount Without Security Plate

If you choose to mount the Sat30 loudspeaker in the ground without the security plate, be sure the ground is compact enough to hold the speaker and stake securely in the ground. Gently drive the ground stake into the ground using a rubber mallet and follow instructions from step 4.

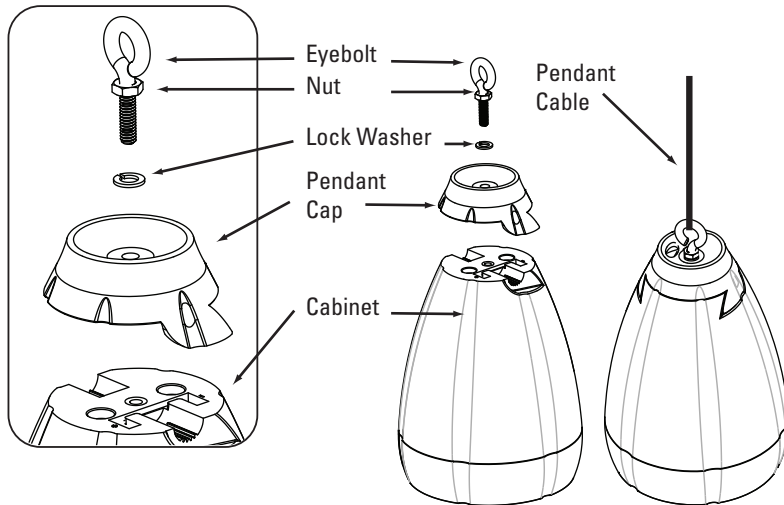


### Aiming the Speaker

## PENDANT MOUNT

To pendant mount the Sat30, you will need the following hardware:

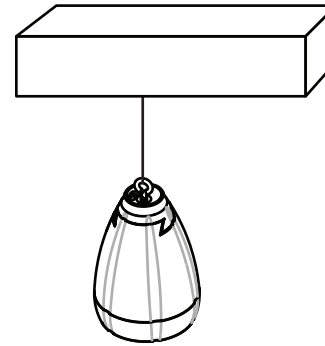
- Sat30 Loudspeaker
- Eyebolt (with nut)
- (1) 1/4" Split Ring Lock Washer
- Two Faston Connectors
- Pendant Cable (not included)
- Loudspeaker Wire (not included)
- Pendant Cap



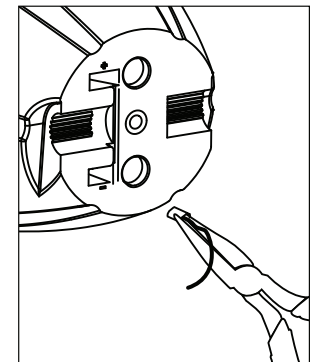
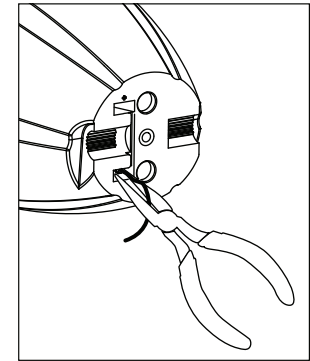
## Instructions:

**Note:** A pendant cable (not included) is required to hang the Atrium Sat30 loudspeaker from a ceiling or overhead beam. Use a cable that meets or exceeds the safety and/or building codes applicable to the mounting situation. The speaker weighs 3.5 lbs. on its own.

1. Determine how far down from your ceiling or beam you want your loudspeaker to hang.



2. Secure the pendant cable to the ceiling or beam and run loudspeaker wire along the pendant cable.
3. Attach the supplied faston connectors to the loudspeaker wires. (Large = "+", Small = "-")
4. Expose the loudspeaker spade terminals on the back of the cabinet by removing the knob, clamp and bracket.



5. Disconnect the existing loudspeaker wire from the spade terminals using needle-nose pliers and remove the bracket assembly.
6. Thread the new loudspeaker wire through the wire hole in the pendant cap and connect the wires to the loudspeaker spade terminals, observing correct polarity.
7. Attach the pendant cap to the loudspeaker using the eyebolt, lock washer and nut.
8. Secure the pendant cable to the eyebolt.

**Caution: Secure mounting is required to prevent personal injury or damage to the loudspeaker.**

## BRACKET MOUNT

For more solid mounting, screw the bracket directly into a weight-bearing stud on the mounting surface.

To bracket mount the Sat30, you will need the following hardware:

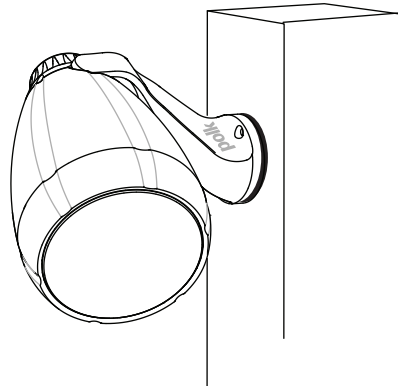
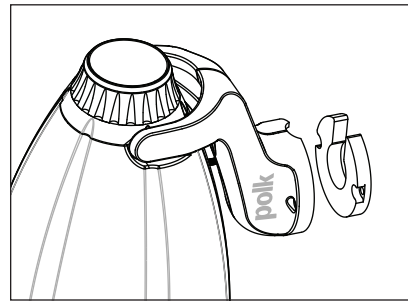
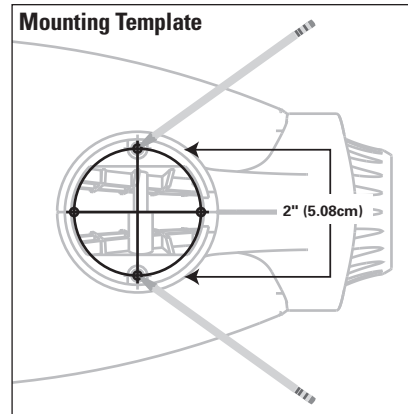
- Sat30 Loudspeaker
- Rubber Bumper (optional)
- 2 #6 Pan Head Screws
- Sat30 Mounting Template

### Instructions:

1. Determine where you want to mount the loudspeaker.
2. Hold the mounting template to the mounting surface and mark the screw hole locations with a pencil.
3. Use an 1/8" drill bit and drill the mounting holes (if necessary).  
**Note:** Use wall anchors if mounting the loudspeaker into drywall.
4. Loosen the knob on the back of the loudspeaker so it can swivel.

**Note:** The loudspeaker bracket has a notch for the speaker wires, which allows you to run the speaker wires up the mounting surface, or you may drill a hole in the mounting surface and run the speaker wires through the hole.

5. Place the rubber bumper underneath the bracket (optional).
6. Hold the loudspeaker to the mounting surface.
7. Attach the loudspeaker assembly using the supplied #6 pan head screws.
8. Once the loudspeaker has been adjusted to the desired angle, tighten the knob on the back of the loudspeaker to hold it in place.



**WARNING: Aiming the Sat30 to an angle greater than 45 degrees to the horizontal may result in water buildup inside the grille that could cause damage to the speaker, especially during cold weather when freezing may occur.**

## PAINTING THE Sub10 SUBWOOFER

While the Atrium Sub10 has a color-impregnated finish that enables it to blend in with your landscaping and outdoor furnishings, the cabinet is paintable. Should you choose to paint your speakers, follow these instructions:

Before you begin, you will need:

- A spray can of primer paint (Krylon Sandable Spray Primer #1318).
- A spray can of the outdoor paint of your choice.
- Masking tape.
- Paint mask (not included) to cover un-paintable parts.

### PREPARING TO PAINT

1. Carefully mask off the following:
  - Driver
  - Eyebolt
  - Cable

### PAINTING THE CABINET

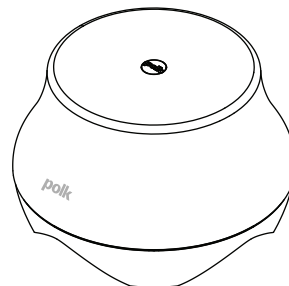
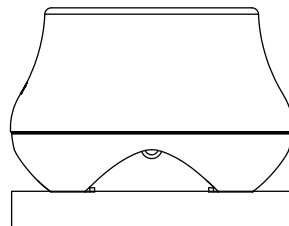
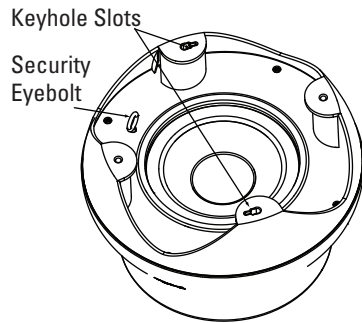
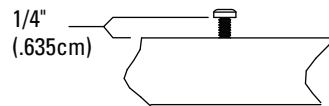
1. Apply two thin coats of primer to the cabinet.
2. When the primer is completely dry, apply the finish color. Multiple coats may be required for a consistent look.
3. When the paint is completely dry, remove the masking material.
4. Try to keep all handling of freshly painted parts to a minimum.

## MOUNTING THE ATRIUM Sub10

The Sub10 can be located anywhere you desire.

### DECK MOUNT

1. Determine where you want to locate the subwoofer.
2. Measure the center-to-center distance between the key-hole slots and install two #10 mounting screws into the deck, leaving 1/4" of the screws exposed above the surface.
3. Place the subwoofer onto the pan head screws and rotate the Sub10 clockwise so that the keyhole slots lock down onto the pan head screws.



### GARDEN PLACEMENT

You may locate your Atrium Sub10 anywhere you can run speaker wire. If you place your subwoofer in a garden bed, upon soft ground or mulch, we recommend you place it on a paver or other hard surface. This will prevent mulch or dirt from building up underneath the subwoofer, which must remain clear for optimum performance and to prevent damage to driver.

An optional accessory grille is available to prevent wildlife from taking residence under your subwoofer (Part# AM3387-A).

**Note:** The Sub10 has a built-in security eyebolt that enables you to anchor it to its location.

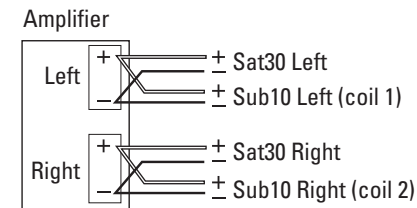
## ATRIUM Sat30 & ATRIUM Sub10

### HOOKUP DIRECTIONS:

**Connect only two Sat30 Loudspeakers per stereo channel.**  
(Not sold in pairs.)

The Atrium Sat30 and Atrium Sub10 each come with 3 feet of CL3 speaker wire, which is rated for underground burial. The Sat30 has two conductors—one red that is labeled "+" and one black that is labeled "-". The Sub10 has four conductors (white, green, red and black) because it has a dual voice coil. Follow the correct polarity during hookup to avoid performance issues and/or damage to your amplifier.

A standard configuration for outdoor listening includes two Sat30 loudspeakers and a single Sub10 subwoofer.

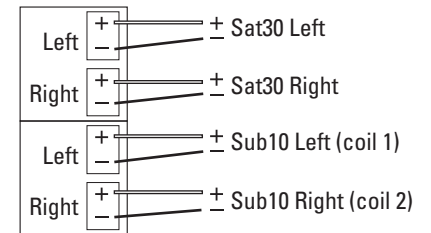


Connect one Sat30 loudspeaker to the +/- terminals of the amplifier's left output channel (red wire to "+" and black wire to "-"). Connect the other Sat30 loudspeaker to the +/- terminals of the amplifier's right output channel. Next, connect the white and green wires of the Sub10 to the amplifier's left output channel and connect the red and black wires of the Sub10 to the amplifier's right output channel.

Amplifier Output		Sat30 #1	Sat30 #2	Sub10
Left	+	Red		White
	-	Black		Green
Right	+		Red	Red
	-		Black	Black

An alternate configuration utilizes the left and right outputs from separate amplifiers to drive the Sat30's and the Sub10.

### Bi-Amplifier



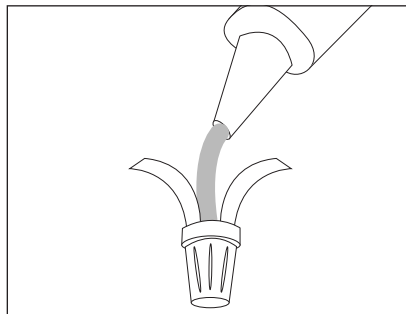
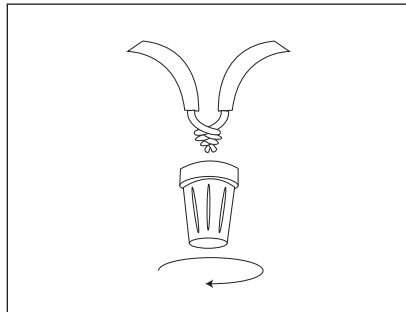
Connect one Sat30 loudspeaker to the +/- terminals of the first amplifier's left channel output and connect the other Sat30 loudspeaker to the +/- terminals of the first amplifier's right channel output. Connect the white and green wires of the Sub10 to the second amplifier's left channel and the red and black wires to the second amplifier's right channel.



Amplifier Output			Sat30 #1	Sat30 #2	Sub10
Amp #1	Left	+	Red		
		-	Black		
	Right	+		Red	
		-		Black	
Amp #2	Left	+			White
		-			Green
	Right	+			Red
		-			Black

**You must always connect the left and right channels to achieve maximum output. Observe positive (+) and negative (-) polarity. Reversing polarity of a dual voice coil subwoofer will result in very little bass output and possibly damage the speaker or amplifier.**

All speaker connections should be made with the provided wire nuts. We recommend filling each wire nut with a little silicone sealant to ensure a weatherproof connection.



Any number of Sat30 loudspeakers can be used in an installation. For applications requiring more than two Sat30 loudspeakers, use a separate amplifier channel for each additional pair of Sat30 loudspeakers. Do not use the A and B channels on your receiver to hook up two pairs of Sat30 loudspeakers, as this may overload and damage your receiver/amplifier circuitry. If you need help with wiring or connecting more than one pair of Sat30 loudspeakers, please contact tech support.

**CONSIGNES DE SÉCURITÉ IMPORTANTES**

Ce produit a été conçu et fabriqué pour répondre à de strictes normes de qualité et de sécurité. Veuillez cependant porter attention aux consignes de sécurité suivantes se rapportant à son installation et à son utilisation.

- Lisez toutes les consignes de sécurité et d'utilisation avant d'utiliser cet appareil.
- Conservez les instructions de sécurité et d'opération pour référence future.
- Observez les consignes contenues dans ce manuel et affichées sur le produit.
- Suivez toutes les instructions d'opération et d'utilisation.
- Nettoyage. Débranchez l'appareil avant de le nettoyer. N'utilisez jamais de nettoyant liquide ou en aérosol. Utilisez un chiffon humide.
- Accessoires. N'utilisez jamais d'accessoires non recommandés par le fabricant. Ils pourraient provoquer un danger.
- Accessoires. Ne placez jamais ce produit audio-visuel sur un charriot, socle, meuble ou support instable. Le produit pourrait tomber, s'endommager et/ou blesser grièvement un enfant ou un adulte. Utilisez uniquement un charriot, socle, meuble ou support spécifié par le fabricant ou vendu avec le produit. Toute installation du produit doit se faire selon les directives du fabricant et en utilisant des accessoires recommandés par le fabricant.
- Alimentation CA. Ce produit ne doit être utilisé qu'avec le type d'alimentation CA spécifié sur l'étiquette apposée au produit. Si vous ne connaissez pas le type d'alimentation utilisé dans votre région, communiquez avec le revendeur du produit ou avec votre fournisseur local d'électricité.
- Foudre et surtension. Pour assurer la protection de ce produit contre la foudre ou la surtension lorsqu'il n'est pas utilisé pour de longues périodes, débranchez son cordon d'alimentation de la prise de courant CA et déconnectez le système de câble ou d'antenne.
- Objets et liquides. N'insérez jamais d'objets dans les ouvertures de ce produit. Ils pourraient entrer en contact avec des points de voltage dangereux ou provoquer des courts-circuits; cela pourrait provoquer un risque d'incendie ou de choc électrique. Ne renversez jamais de liquides sur le produit.
- Service. Ne tentez jamais de réparer ce produit vous-même car ouvrir son boîtier ou en retirer le couvercle pourrait vous exposer à des voltages dangereux ou à d'autres dangers. Confiez tout service à un technicien qualifié.
- Dommages et service. Débranchez l'appareil de la prise CA et contactez un réparateur qualifié lorsque:
  - un objet ou du liquide s'est introduit dans le produit.
  - le produit ne fonctionne pas normalement selon les instructions du fabricant. Réglez uniquement les contrôles spécifiés dans le manuel de l'utilisateur car le réglage inapproprié de certains autres contrôles pourrait endommager le produit et requérir l'intervention d'un réparateur qualifié pour le remettre en ordre.
  - le produit a subi une chute ou son boîtier a été endommagé.
  - le produit ne semble pas fonctionner normalement—ce qui indique la nécessité de service.
- Pièces de rechange—Lorsque des pièces de rechange sont requises, assurez-vous que le technicien de service utilise des pièces de rechange spécifiées par le fabricant ou des pièces ayant les mêmes caractéristiques que les pièces d'origine. Des substitutions non autorisées risquent de provoquer un incendie, des chocs électriques ou d'autres dangers.
- Contrôle de sécurité. Après chaque contrôle technique ou réparation de cet appareil, demandez au technicien d'effectuer un contrôle pour assurer que l'appareil est en bon état de fonctionnement.



## LIMITES D'OPÉRATION

Polk Audio spécifie la gamme de puissance d'amplification recommandée pour chacun de ses haut-parleurs non amplifiés. Cette spécification est typiquement exprimée en watts par canal (par ex. 20-200 W/canal). Il est important de bien comprendre la signification de ces chiffres avant de choisir un amplificateur ou un récepteur pour vos haut-parleurs. Le premier chiffre indique la puissance nominale minimum requise pour assurer une performance convenable dans une pièce normale. Le deuxième chiffre indique la puissance nominale maximum admissible par vos haut-parleurs—ce chiffre ne doit pas être confondu avec la spécification de «capacité de puissance» et n'implique pas que le haut-parleur peut soutenir cette puissance de façon continue sans risque d'endommagement. Nous spécifions une gamme de puissance d'amplification étendue parce que les fabricants de composants électroniques n'utilisent pas toujours la même méthode pour déterminer la puissance admissible. En fait, les amplificateurs moins puissants de qualité supérieure donnent un meilleur rendement que les amplificateurs plus puissants de qualité inférieure.

L'automobile et les chevaux-vapeur sont une bonne analogie. Votre automobile a beaucoup plus de chevaux-vapeur que ceux requis par son utilisation quotidienne, vous permettant probablement d'atteindre les 190 km/h ou plus! Vous ne roulez pas pour autant à fond la caisse en tout temps (du moins nous l'espérons). Cependant, cette réserve de puissance vous permet de bien accélérer sur les rampes d'accès, d'éviter les accidents et de doubler sécuritairement. C'est pour cette même raison que nous vous recommandons d'utiliser un amplificateur ou un récepteur d'une puissance nominale plus élevée que la capacité de puissance spécifiée pour vos haut-parleurs. En effet, cette réserve de puissance leur permettra de reproduire les crêtes sonores momentanées sans effort et sans distorsion, assurant une gamme dynamique maximale et une performance optimale, même à très haut volume. Il est quand même fortement déconseillé d'écouter votre chaîne audio «à fond la caisse» en tout temps.

Un haut-parleur peut être endommagé lorsqu'un amplificateur, quelle que soit sa puissance, est poussé au delà de ses limites. L'amplificateur surchargé génère alors un niveau élevé de distorsion audible, le son devenant rauque et éraillé. Si vous entendez de la distorsion, baissez le volume sinon vous risquez d'endommager vos haut-parleurs. Un haut-parleur, quelle que soit sa capacité de puissance, risque d'être endommagé lorsque l'amplificateur est poussé au delà de ses limites de distorsion.

## RÉCUPÉRATION DU PRODUIT

Certaines lois ou certains règlements internationaux, nationaux et/ou régionaux pourraient s'appliquer à la récupération de ce produit. Pour plus d'information, communiquez avec le revendeur de ce produit ou avec l'importateur/distributeur de ce produit dans votre pays. Vous trouverez la liste des importateurs/



distributeurs des produits Polk Audio sur le site [www.polkaudio.com](http://www.polkaudio.com) ou en communiquant avec Polk Audio: 5610 Metro Drive, Baltimore, Maryland 21215, USA—Tél.: +1 410 358-3600.

## SERVICE OU ASSISTANCE TECHNIQUE

Si, après avoir suivi toutes les instructions, vous éprouvez des difficultés, vérifiez toutes vos connexions. Si vous en concluez que le problème est relié au haut-parleur, communiquez avec votre revendeur Polk Audio ou contactez le Service à la Clientèle de Polk Audio au 1-800-377-7655 (L-V, 9-18, HNE, Canada et É.-U. seulement). À l'extérieur des É.-U. et du Canada, composez le 410-358-3600. Vous pouvez aussi nous contacter par courriel à l'adresse: [polkcs@polkaudio.com](mailto:polkcs@polkaudio.com). Pour plus d'information—incluant des chroniques pratiques, des FAQ et des manuels d'utilisation en ligne, visitez notre site web primé: [www.polkaudio.com/home](http://www.polkaudio.com/home).

## INVENTAIRE

**Note Importante:** Si vous constatez des dommages ou l'absence de pièces, ou si votre enceinte ne fonctionne pas, contactez immédiatement le Service de Soutien à la Clientèle de Polk Audio au: 800-377-7655.

### Contenus De La Boîte De L'enceinte Satellite Sat30

1 Enceinte Satellite Atrium Sat30 (avec ensemble-support attaché)

1 Pieu de sol

1 Plaque de sécurité

1 Butoir en caoutchouc

1 Coiffe de suspension

1 Boulon à œil (avec écrou)

1 Rondelle-frein 1/4"

2 Capuchons de connexion #20

1 Vis #10 à tête cylindrique

2 Vis #6 à tête cylindrique

2 Connecteurs «Faston»

1 Manuel Atrium Sat30/Sub10

1 Carte d'enregistrement

1 Brochure de produits

1 Gabarit d'installation

### Contenus De La Boîte Du Subwoofer Atrium Sub10

1 Subwoofer Atrium Sub10

4 Capuchons de connexion #20

1 Manuel Atrium Sat30/Sub10

1 Carte d'enregistrement

1 Brochure de produits

1 Gabarit d'installation

## PEINTURE DE L'ENCEINTE SAT30

La couleur de l'enceinte Atrium Sat30 est incorporée au matériau du caisson, vous permettant de l'assortir à votre aménagement paysager et à votre mobilier extérieur. Elle peut cependant être peinte. Si vous décidez de la peindre, suivez ces instructions:

Avant de commencer, vous aurez besoin de:

- Peinture d'apprêt en aérosol (peinture d'apprêt en aérosol Krylon #1318)
- Peinture de finition extérieure de votre choix en aérosol.
- Un trombone ou une mince lame (pour retirer la grille avant de la peindre).
- Du ruban-cache
- Du cache-peinture (non compris) pour cacher les parties qui ne doivent pas être peintes.

## PRÉPARATION

1. Séparez les composants de l'enceinte: Retirez le bouton, le crampon et le support. Retirez la grille en la soulevant délicatement à l'aide d'un trombone replié ou d'une mince lame et en la dégageant lentement du caisson.
2. Masquez les composants suivants:
  - Transducteur (haut-parleur)
  - Tweeter
  - Bornes
  - Douille taraudée

## PEINTURE DU CAISSON, DU CRAMPON, DU BOUTON DE SUPPORT ET DU SUPPORT

1. Appliquez deux minces couches de peinture d'apprêt au caisson, au crampon, au bouton et au support.
2. Lorsque la peinture d'apprêt est complètement sèche, appliquez la peinture de finition. Plusieurs couches seront peut-être requises pour assurer l'homogénéité de la couleur.
3. Lorsque la peinture est complètement sèche, retirez le cache-peinture.
4. Évitez de manipuler les pièces fraîchement peintes.

## PEINTURE DE LA GRILLE

**Note:** La grille doit être retirée du caisson avant de la peindre. Retirez aussi le médaillon-logo de la grille avant de la peindre.

1. Appliquez une couche d'apprêt à la grille de l'Atrium Sat30. Laissez sécher.
2. Appliquez deux minces couches de peinture de finition en aérosol. Si vous utilisez un compresseur ou un pulvérisateur, choisissez le réglage le plus fin, le plus diffus. Assurez-vous de ne pas boucher les trous de la grille avec la peinture.
3. Peignez le médaillon-logo.
4. Lorsque la peinture de la grille et du médaillon est complètement sèche, remplacez le médaillon sur la grille.
5. Posez délicatement la grille sur l'encoche de l'écran acoustique. Poussez petit à petit la grille dans l'encoche. Soyez délicat, la grille peut être facilement déformée.

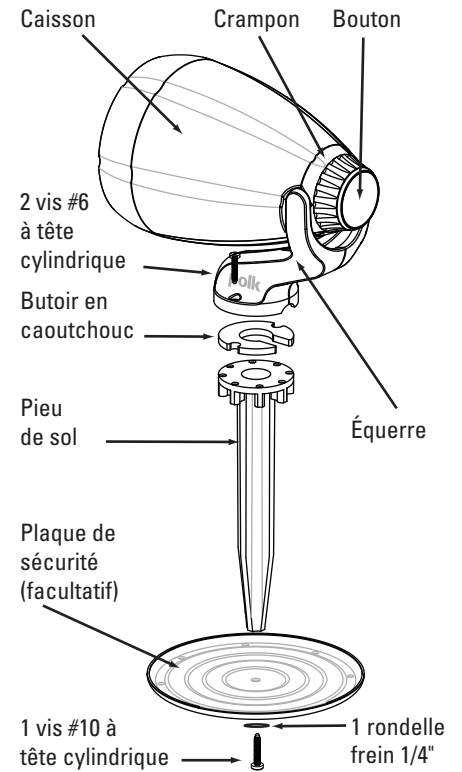
## INSTALLATION DE L'ATRIUM SAT30

### INSTALLATION AU SOL SUR PIEU

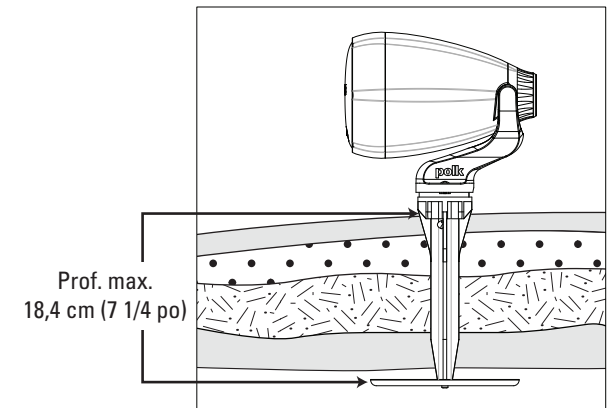
Pour installer l'Atrium Sat30 au sol sur pieu avec la plaque de sécurité, vous devrez utiliser la quincaillerie suivante:

- Enceinte Sat30
- Pieu de sol
- Plaque de sécurité
- Butoir en caoutchouc
- 1 vis #10 à tête cylindrique (pour la plaque de sécurité)
- 1 rondelle-frein 1/4"
- 2 vis #6 à tête cylindrique (pour fixer l'enceinte au pieu)

### Vue Éclatée Du Sat30



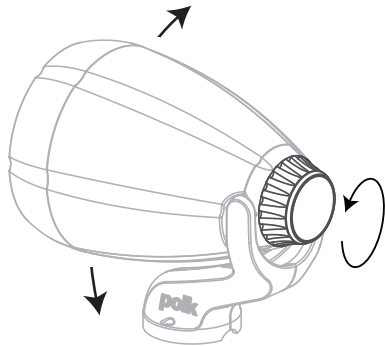
### Profondeur D'installation Au Sol Sur Pieu



### Guide d'installation:

1. Fixez le pieu à la plaque de sécurité à l'aide de la vis #10 à tête cylindrique et de la rondelle-frein 1/4" fournies.
2. Creusez un trou du diamètre de la plaque de sécurité (16,5 cm) et d'une profondeur max. de 18,4 cm et min. de 5,7 cm.
3. Placez l'ensemble pieu-plaque dans le trou et remplissez le trou tout en comprimant bien la terre avec votre pied. Ceci permettra d'ancrer solidement l'ensemble pieu-plaque et de stabiliser l'enceinte.
4. Fixez l'Atrium Sat30 au pieu à l'aide des 2 vis #6 à tête cylindrique et du butoir en caoutchouc fournis.
5. Desserrez le bouton pour vous permettre d'orienter l'enceinte. Lorsque vous aurez orienté l'enceinte, resserrez le bouton.

**AVERTISSEMENT: N'orientez pas le Sat30 à plus de 45 degrés de l'horizontal car de l'eau pourrait s'accumuler sous la grille et endommager l'enceinte—surtout par temps froid lorsque qu'il y a risque de gel.**



**Orientation De L'enceinte**

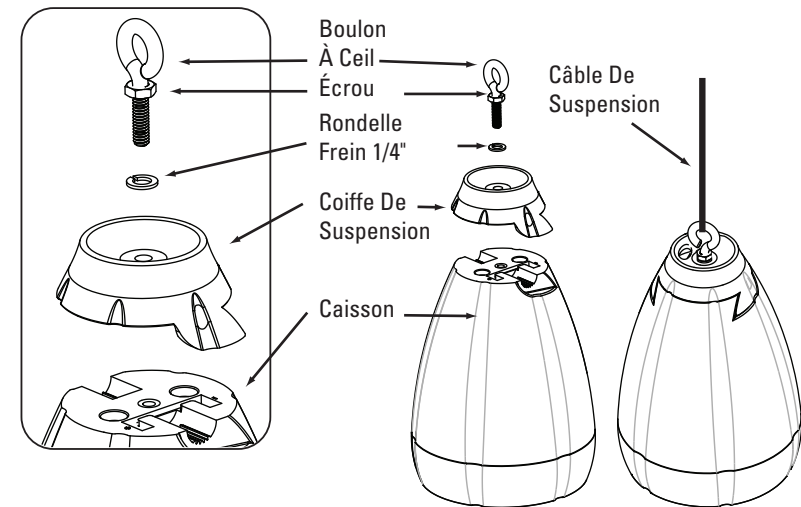
### Installation Au Sol Sans La Plaque De Sécurité

Si vous décidez d'installer le Sat30 au sol sur son pieu mais sans la plaque de sécurité, assurez-vous d'abord que le sol est assez compact pour supporter solidement le pieu et l'enceinte. Enfoncez délicatement le pieu dans le sol à l'aide d'un marteau de caoutchouc puis suivez les étapes 4 et 5.

### INSTALLATION PAR SUSPENSION

Pour installer le Sat30 par suspension vous devrez utiliser la quincaillerie suivante:

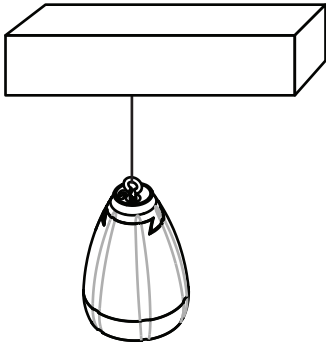
- Enceinte Sat30
- 1 boulon à œil (avec écrou)
- 1 rondelle-frein 1/4"
- Deux connecteurs «Faston»
- Câble de suspension (no compris)
- Fil de haut-parleur (no compris)
- Coiffe de suspension



## Guide D'installation:

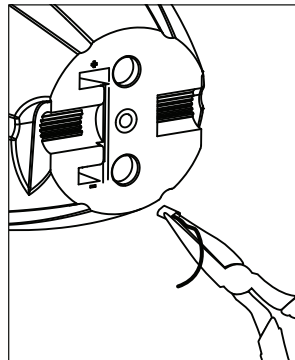
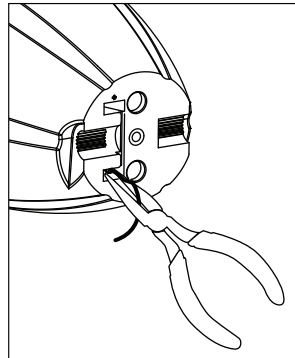
**Note:** Un câble de suspension (non compris) est requis pour suspendre l'enceinte Atrium Sat30 d'un plafond ou d'une poutre. Utilisez un câble qui est conforme aux normes de sécurité et/ou aux codes de construction applicables. L'enceinte à elle seule pèse 1,58 kg (3,5 lb).

1. Déterminez à quelle distance du plafond ou de la poutre vous désirez suspendre l'enceinte.



2. Fixez solidement le câble de suspension au plafond ou à la poutre et faites passer le fil de haut-parleur le long du câble de suspension.
3. Fixez les connecteurs «Faston» fournis aux fils de haut-parleur. (gros = (+), petit = (-))
4. Exposez les bornes de connexion situées à l'arrière de l'enceinte en retirant le bouton, le crampon et le support.

5. Déconnectez le fil de haut-parleur déjà connecté aux bornes à l'aide de pinces à bec long puis retirez l'ensemble support.



6. Passez le nouveau fil de haut-parleur à travers le trou de la coiffe de suspension puis connectez le fil aux bornes de l'enceinte en vous assurant de respecter la polarité.
7. Fixez la coiffe de suspension à l'enceinte à l'aide du boulon à œil, de la rondelle-frein et de l'écrou.
8. Attachez le câble de suspension au boulon à œil.

**Avvertissement: l'installation doit être solide et sécuritaire pour prévenir le risque de blessure corporelle ou de dommage à l'enceinte.**

## INSTALLATION AVEC LE SUPPORT

Pour une installation plus solide, visez le support directement dans la surface ou la charpente du mur.

Pour installer la Sat30 avec son support, vous devrez utiliser la quincaillerie suivante:

- Enceinte Sat30
- Butoir en caoutchouc (facultatif)
- 2 vis #6 à tête cylindrique
- Gabarit d'installation Sat30

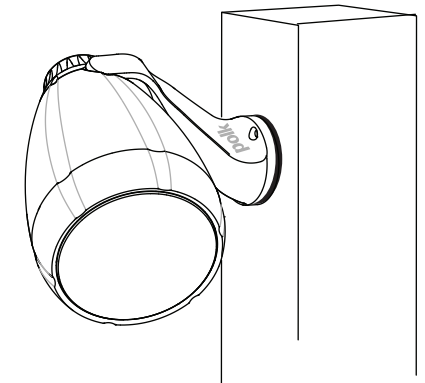
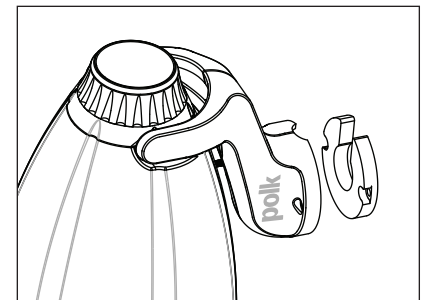
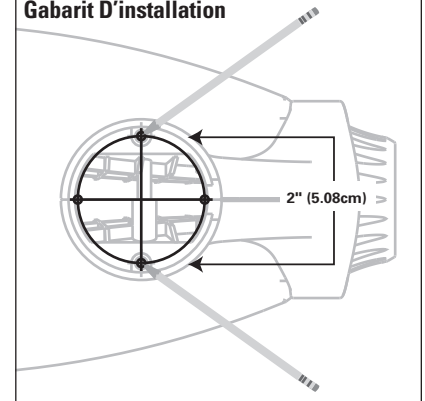
### Guide D'installation:

1. Déterminez où vous désirez installer l'enceinte Sat30.
2. Placez le gabarit sur la surface de l'endroit d'installation déterminé et marquez l'emplacement des vis à l'aide d'un crayon.
3. Utilisez un foret 1/8" pour percer les trous de vis (si nécessaire). **Note:** Utilisez des chevilles d'ancrage si vous installez l'enceinte sur du placo-plâtre.
4. Desserrez le bouton situé à l'arrière de l'enceinte pour lui permettre de pivoter.

**Note:** Le support de l'enceinte est doté d'une encoche qui vous permet de passer le fil de haut-parleur en surface sous le support. Vous pouvez aussi faire un trou dans le mur pour passer le fil sous la surface.

5. Placez le butoir en caoutchouc (facultatif) sous le support.
6. Tenez l'ensemble support-enceinte sur la surface de l'endroit d'installation déterminé.
7. Fixez l'ensemble-support à la surface à l'aide des deux vis #6 à tête cylindrique fournies.
8. Orientez l'enceinte selon vos préférences puis resserrez le bouton situé à l'arrière du caisson pour la bloquer en place.

### Gabarit D'installation



**AVERTISSEMENT: N'orientez pas le Sat30 à plus de 45 degrés de l'horizontal car de l'eau pourrait s'accumuler sous la grille et endommager l'enceinte - surtout par temps froid lorsque qu'il y a risque de gel.**

## PEINTURE DU SUBWOOFER Sub10

La couleur de l'Atrium Sub10 est incorporée au matériau du caisson, vous permettant de l'assortir à votre aménagement paysager et à votre mobilier extérieur. Il peut cependant être peint. Si vous décidez de le peindre, suivez ces instructions:

Avant de commencer, vous aurez besoin de:

- Peinture d'apprêt en aérosol (peinture d'apprêt en aérosol Krylon #1318)
- Peinture de finition extérieure de votre choix en aérosol.
- Du ruban-cache
- Du cache-peinture (non compris) pour masquer les parties qui ne doivent pas être peintes.

## PRÉPARATION

1. Masquez les composants suivants:

- Transducteur
- Boulon à œil
- Câble

## PEINTURE DU CAISSON

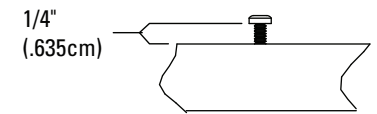
1. Appliquez deux minces couches de peinture d'apprêt au caisson.
2. Lorsque la peinture d'apprêt est complètement sèche, appliquez la peinture de finition. Plusieurs couches seront peut-être requises pour assurer l'homogénéité de la couleur.
3. Lorsque la peinture est complètement sèche, retirez les cache-peinture.
4. Évitez de manipuler les pièces fraîchement peintes.

## INSTALLATION DU ATRIUM Sub10

Le Sub10 peut être installé où vous le désirez.

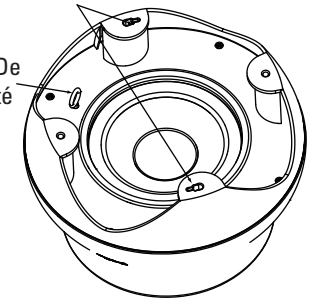
### INSTALLATION SUR TERRASSE

1. Déterminez où vous désirez installer le subwoofer.
2. Mesurez la distance entre les encoches en trou de serrure (centre à centre). Vissez ensuite deux vis de montage #10 à l'endroit d'installation déterminé, laissant les vis dépasser de 6 mm.
3. Alignez les encoches en trou de serrure du subwoofer sur les vis à tête cylindrique puis tournez le Sub10 dans le sens des aiguilles d'une montre jusqu'à ce que les encoches s'enclenchent solidement sur les vis.



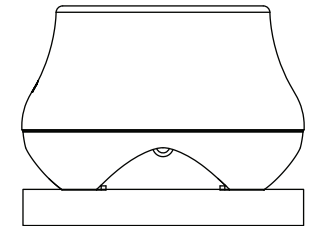
Fentes En Trou De Serrure

Boulon À Oeil De Sécurité

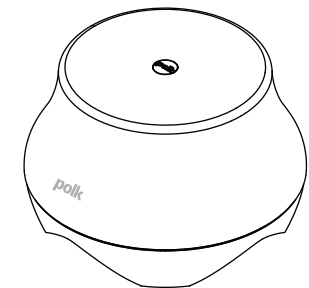


### INSTALLATION DANS LE JARDIN

Vous pouvez installer votre Atrium Sub10 partout où vous pouvez tirer un fil de haut-parleur. Si vous désirez placer votre subwoofer dans une plate-bande, sur du sol mou ou du gazon, il est recommandé de le poser sur une dalle de ciment ou autre surface dure et stable ; ceci préviendra que de la terre ou des débris s'accumulent sous le subwoofer (qui doit demeurer libre de tout obstacle pour assurer sa performance optimale et prévenir l'endommagement du transducteur).



Une grille accessoire est disponible en option pour prévenir que de petites bêtes viennent établir leur résidence sous votre subwoofer (Pièce # AM3387-A).



**Note:** Le Sub10 est doté d'un boulon à œil de sécurité qui vous permet de l'ancrer solidement en place.

## ATRIUM Sat30 ET ATRIUM Sub10

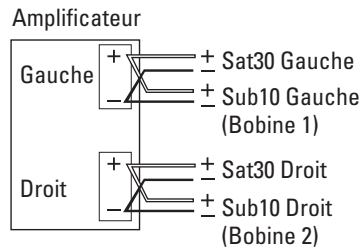
### GUIDE DE CONNEXION:

#### Ne branchez qu'une seule enceinte par canal stéréophonique.

(La Sat30 est vendue à l'unité seulement.)

Les Atrium Sat30 et Atrium Sub10 sont livrées avec 90 cm de fil de haut-parleur CL3 (conforme aux normes pour enfouissement). La Sat30 a deux conducteurs—un rouge identifié (+) et un noir identifié (-). Le Sub10 a quatre conducteurs (blanc, vert, rouge et noir) car il est doté de bobines mobiles jumelées. Assurez-vous de respecter la polarité pour prévenir les problèmes de performance et le risque d'endommagement de votre amplificateur.

La configuration standard pour écoute extérieure comprend deux enceintes Sat30 et un subwoofer Sub10.

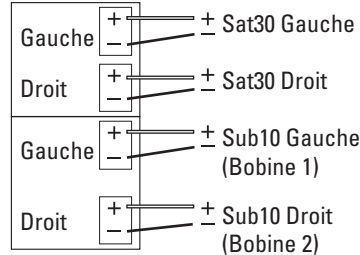


Raccordez une enceinte Sat30 aux bornes +/- de la sortie du canal gauche de l'amplificateur (fil rouge à [+] et fil noir à [-]). Connectez l'autre enceinte Sat30 aux bornes +/- de la sortie droite de l'amplificateur. Ensuite, raccordez les fils blanc et vert du Sub10 à la sortie du canal gauche de l'amplificateur et raccordez les fils rouge et noir du Sub10 à la sortie du canal droit de l'amplificateur.

Amplificateur De Sortie		Sat30 #1	Sat30 #2	Sub10
Gauche	+	Rouge		Blanc
	-	Noir		Vert
Droit	+		Rouge	Rouge
	-		Noir	Noir

Une configuration alternative utilise les sorties gauche et droite de deux amplificateurs distincts pour alimenter les Sat30 et le Sub10 respectivement.

#### Bi-Amplification

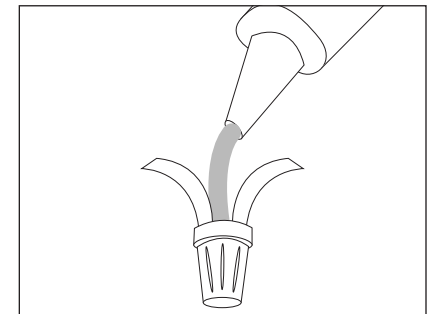
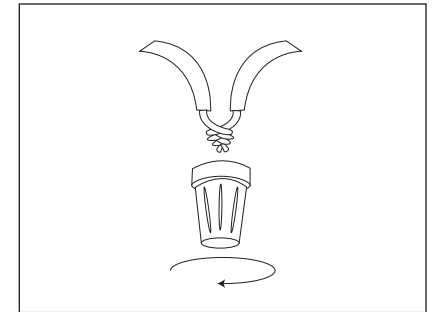


Raccordez une enceinte Sat30 aux bornes +/- du canal gauche du premier amplificateur et raccordez l'autre enceinte Sat30 aux bornes +/- de la sortie droite du premier amplificateur. Raccordez les fils blanc et vert du Sub10 à la sortie du canal gauche du deuxième amplificateur et raccordez les fils rouge et noir du Sub10 à la sortie du canal droit du deuxième amplificateur.

Amplificateur De Sortie		Sat30 #1	Sat30 #2	Sub10
Amp #1	Gauche	+	Rouge	
		-	Noir	
	Droit	+		Rouge
		-		Noir
Amp #2	Gauche	+		Blanc
		-		Vert
	Droit	+		Rouge
		-		Noir

**Vous devez toujours connecter les canaux gauche et droit pour obtenir une sortie maximale. Respectez toujours la polarité positive (+) et négative (-). Renverser la polarité d'un subwoofer à bobines mobiles jumelées occasionnera une perte importante de sortie des graves et pourrait endommager le transducteur ou l'amplificateur**

Toutes les connexions des enceintes doivent être faites en utilisant les capuchons de connexion fournis. Il est recommandé de remplir chaque capuchon d'enduit de silicone pour assurer une connexion étanche. Un nombre illimité d'enceintes Sat30 peut être utilisé dans une installation.



Pour des applications requérant plus de deux enceintes Sat30, utilisez un amplificateur supplémentaire pour chaque paire d'enceintes additionnelle. N'utilisez pas les sorties haut-parleur A et B de votre récepteur pour connecter deux paires de Sat30. Ceci pourrait surcharger et endommager votre amplificateur/récepteur. Si vous avez besoin d'assistance pour connecter plus d'une paire d'enceinte Sat30, communiquez avec le Service de Soutien Technique de Polk Audio.



## INSTRUCCIONES IMPORTANTES DE SEGURIDAD

Este producto ha sido diseñado y fabricado para satisfacer estrictas normas de calidad y seguridad. Sin embargo, hay ciertas precauciones de operación e instalación que usted debe tener en cuenta en particular.

1. Lea las instrucciones. Todas las instrucciones de seguridad y operación deben leerse antes de operar el sistema.
2. Guarde las instrucciones. Las instrucciones de seguridad y operación deben guardarse para poder consultarlas en el futuro.
3. Respete las advertencias. Todas las advertencias escritas en los aparatos y en las instrucciones de operación deben respetarse.
4. Siga las instrucciones. Todas las instrucciones de operación y uso deben seguirse.
5. Limpieza. Antes de limpiar el aparato, desenchúfelo del tomacorriente. No use limpiadores líquidos ni en aerosol. Limpie el producto con un paño húmedo.
6. Agregados. No utilice agregados que el fabricante del producto no haya recomendado, porque pueden causar peligros.
7. Accesorios. No coloque el aparato en carritos, pedestales, trípodes, soportes o mesas inestables. El producto de audio/video puede caerse y causar lesiones graves a niños o adultos y daños graves al producto. Use el aparato solamente con el carrito, pedestal, trípode, soorte o mesa recomendado por el fabricante o vendido con el aparato. Todo montaje del aparato se debe hacer siguiendo las instrucciones del fabricante y con los accesorios de montaje recomendados por el fabricante.
8. Fuentes de alimentación. Este producto debe funcionar conectado exclusivamente a una fuente de alimentación del tipo indicado en sus etiquetas. Si no está seguro del tipo de fuente de alimentación de su casa, consulte al distribuidor de aparatos o a la compañía local de electricidad.
9. Rayos. Para aumentar la protección de este producto de audio/video durante una tormenta eléctrica, o cuando se deje solo o no se use durante largos períodos de tiempo, desenchúfelo del tomacorriente y desconecte la antena o el sistema de cable. Esto evitará daños al producto causa dos por rayos o subidas de voltaje.
10. Entrada de objetos y líquidos. Nunca meta objetos de ningún tipo en este producto a través de las aberturas, pues pueden hacer contacto con puntos de voltajes peligrosos o hacer cortocircuitos que podrían causar un incendio o una descarga eléctrica. Nunca derrame líquidos de ningún tipo sobre este producto de audio/video.
11. Servicio. No intente hacerle servicio a este producto usted mismo, pues abrirlo o quitarle las cubiertas puede exponerlo a usted a voltajes peligrosos u otros peligros. Encargue todo servicio al personal de servicio calificado.
12. Daños que requieren servicio. Desenchufe el producto y encargue el servicio al personal de servicio calificado cuando:
  - a. Hayan caído líquidos u objetos dentro del aparato.
  - b. El producto haya dejado de funcionar normalmente a pesar de que se hayan seguido las instrucciones. Ajuste sólo los controles mencionados en las instrucciones de operación, pues ajustar incorrectamente otros controles puede causar daños y, a menudo, restablecer el funcionamiento normal del producto requerirá un extenso trabajo técnico calificado.
  - c. El producto se haya dejado caer o la caja haya sido dañada.
  - d. El producto manifieste un cambio notable de rendimiento; esto indica la necesidad de servicio.
13. Repuestos. Cuando se requieran repuestos, asegúrese de que el técnico haya utilizado los repuestos especificados por el fabricante o que tengan las mismas características que el repuesto original. Las sustituciones no autorizadas pueden dar como resultado un incendio, una descarga eléctrica u otros peligros.
14. Revisión de seguridad. Al terminar cualquier servicio o reparación de este producto, pídale al técnico de servicio que lleve a cabo verificaciones de seguridad para determinar que el producto esté en buenas condiciones de funcionamiento.

## LÍES SEGUROS DE OPERACIÓN

Polk Audio especifica el intervalo de amplificación recomendado para sus altavoces pasivos (no amplificados). Por lo general, la especificación se expresa como un cierto intervalo de potencia, tal como 20 a 200 W (por canal). Es importante entender lo que estos números significan cuando se escoge un receptor o un amplificador para los altavoces Polk Audio. El número inferior indica la potencia nominal continua mínima que produce un rendimiento aceptable en un ambiente acústico normal. El número superior indica la potencia máxima por canal que se debe dar a los altavoces Polk Audio. Este número no debe confundirse con la "administración de potencia" y no implica que el altavoz administre indefinidamente con seguridad tal potencia máxima. Especificamos una amplia gama de valores nominales de potencia porque no todos los fabricantes de aparatos electrónicos utilizan el mismo método para establecer el valor nominal de potencia. De hecho, los amplificadores de alta calidad con valor nominal de potencia bajo suenan mejor y más fuerte que las unidades de baja calidad con valor nominal de potencia alto.

La potencia de los automóviles en caballos de fuerza es una buena analogía. Su automóvil probablemente tiene muchos más caballos de fuerza de los que necesita para ir diariamente al trabajo y es capaz de desplazarse a velocidades de más de 120 mph (190 kph). Tener la potencia adicional es bueno para la aceleración en las rampas de entrada a las autopistas y para evitar el peligro, pero no significa que sea aconsejable conducir el automóvil por la carretera a toda velocidad y potencia durante largos períodos de tiempo. No lo es. Si lo duda, pregúntele a su mecánico local o a la policía. De manera similar, recomendamos que use amplificadores y receptores con valor de potencia nominal mayor que los límites de administración de potencia de nuestros altavoces, porque tener potencia adicional para máximos de poca duración conduce a mejor calidad de sonido, máxima gama dinámica y salida de alto volumen sin esfuerzo. Pero le recomendamos enfáticamente que no aplique a diario a sus altavoces la potencia máxima de su amplificador o receptor.

Los altavoces se pueden dañar cuando se hace funcionar un amplificador, independientemente de su potencia en vatios, a más volumen del que puede producir con claridad. El funcionamiento a este volumen puede producir altos niveles de distorsión audible originada en el amplificador, lo cual puede agregar un sonido discordante y arenoso a lo que se está escuchando. Si oye distorsión, baje el volumen o arriesguese a dañar los altavoces. Casi cualquier altavoz se puede dañar, independientemente de su valor nominal de potencia, si se sube el volumen del amplificador o el receptor hasta la distorsión y más.

## ELIMINACIÓN DEL PRODUCTO

Es posible que haya leyes y/o reglamentos internacionales, nacionales y/o locales sobre la eliminación de este producto. Para obtener información más detallada, comuníquese con el distribuidor a quien le compró este producto de Polk Audio o al importador o distribuidor en su país. Puede obtener una lista de importadores y distribuidores de



Polk Audio en el sitio Web de Polk Audio, [www.polkaudio.com](http://www.polkaudio.com), o comunicándose con Polk Audio: 5601 Metro Drive, Baltimore, Maryland 21215, USA. Teléfono: +1 410 358-3600.

## ASISTENCIA O SERVICIO TÉCNICO

Si después de seguir las instrucciones de conexión usted sigue teniendo dificultades, vuelva a comprobar todas las conexiones de cables. Si logra aislar el problema en el altavoz, comuníquese con el distribuidor autorizado de Polk Audio donde compró el altavoz o con el Servicio al Cliente de Polk Audio llamando al 800-377-7655 (de lunes a viernes de 9 a.m. a 6 p.m., hora estándar del Este, sólo en EE.UU.) o por correo electrónico a [polkcs@polkaudio.com](mailto:polkcs@polkaudio.com). Fuera de los EE.UU., llame al 410-358-3600. Hay artículos sobre cómo hacer las cosas en audio, preguntas frecuentes y manuales en línea en nuestro galardonado sitio Web [www.polkaudio.com/home](http://www.polkaudio.com/home).



## LISTA DE INVENTARIO

**Nota Importante:** Si algo falta o se ha dañado, o si el altavoz no funciona, avise inmediatamente a Servicios de apoyo al cliente de audio de Polk llamando al 800-377-7655.

### Contenido De La Caja Del Altavoz Atrium Sat30

1 altavoz Atrium Sat30  
(con la unidad de soporte montada)

1 Estaca

1 Placa de seguridad

1 Tope de goma

1 Tapa colgante

1 Perno de anilla (con tuerca)

1 Arandela de presión tipo anillo  
abierto de 1/4 de plg.

2 Conectores de torsión Wire-Nut® N° 20

1 Tornillo de cabeza troncocónica N° 10

2 Tornillos de cabeza troncocónica N° 6

2 Conectores Faston

1 Manual de altavoces Atrium Sat30 /Sub10

1 Tarjeta de registro

1 Folleto sobre el producto

1 Plantilla de montaje

### Contenido De La Caja Del Subwoofer Atrium Sub10

1 Subwoofer Atrium Sub10

4 Conectores de torsión Wire-Nut® N° 20

1 Manual de altavoces Atrium Sat30/Sub10

1 Tarjeta de registro

1 Folleto sobre el producto

1 Plantilla de montaje

## Atrium Sat30

### PINTURA DEL ALTAVOZ SATÉLITE Sat30

Aunque el Atrium Sat30 tiene un acabado impregnado de color que le permite armonizar con el paisajismo y los accesorios de su ambiente al aire libre, la caja se puede pintar. Si usted decide pintar los altavoces, siga las instrucciones que se presentan a continuación:

Antes de comenzar, necesitará lo siguiente:

- Una lata de pintura base (base en aerosol Krylon N° 1318 que se puede lijar).
- Una lata de pintura para exteriores del color que haya escogido.
- Un clip para papeles o una lámina de metal delgada (para quitar la rejilla que se puede pintar).
- Cinta enmascaradora.
- Máscara de pintura (no se incluye) para cubrir las partes que no se pueden pintar.

### PREPARACIÓN PARA LA PINTURA

1. Separe las piezas del altavoz: Quite la perilla, la abrazadera y el soporte. Quite cuidadosamente la rejilla enganchándola con un clip doblado o con la lámina delgada de metal y haciéndole palanca cuidadosamente para separarla de la caja.

2. Enmascare cuidadosamente las siguientes piezas:

- Excitador
- Tweeter
- Terminales
- Inserto roscado

### PINTURA DE LA CAJA, LA ABRAZADERA, LA PERILLA DEL SOPORTE Y EL SOPORTE

1. Aplique dos capas delgadas de base a la caja, la abrazadera, la perilla y el soporte.
2. Cuando la base esté completamente seca, aplique el acabado de color. Puede ser necesario aplicar varias capas para lograr un aspecto uniforme.
3. Cuando la pintura esté completamente seca, quite el material de enmascarado.
4. Manipule lo menos posible las piezas con pintura fresca.

### PINTURA DE LA REJILLA

**Nota:** Quite la rejilla y la insignia logotipo antes de pintar la rejilla.

1. Aplíquelo pintura base al altavoz Atrium Sat30.
2. Aplíquelo dos capas delgadas del acabado de color. Si está utilizando un compresor y una pistola rociadora, fije el control de rociado en la posición de rociado más fino y más difuso. Tenga cuidado de no llenar de pintura los agujeros de la rejilla.
3. Pinte la insignia logotipo.
4. Monte la insignia logotipo una vez que la pintura de la insignia y de la rejilla esté completamente seca.
5. Ponga la rejilla cuidadosamente en posición de manera que descansa sobre la caja. Vaya presionando el borde de la rejilla poco a poco por todo el contorno del altavoz para que entre en la ranura. Tenga cuidado; la rejilla puede doblarse fácilmente si la manipula bruscamente.

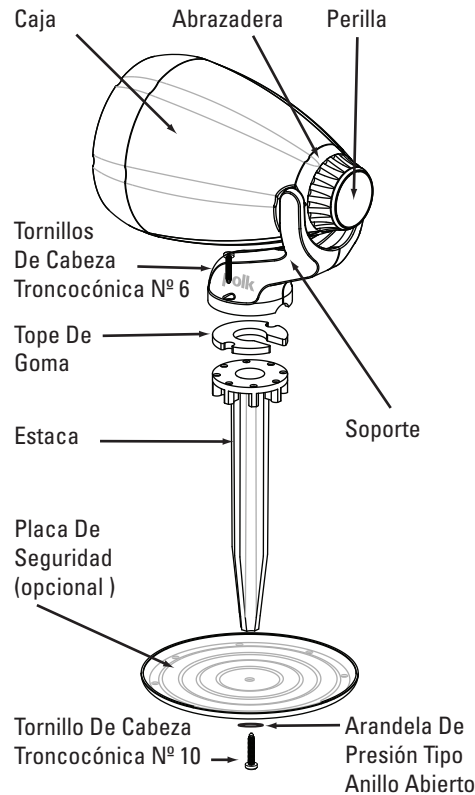
## MONTAJE DEL ALTAVOZ ATRIUM Sat30

### MONTAJE EN EL SUELO

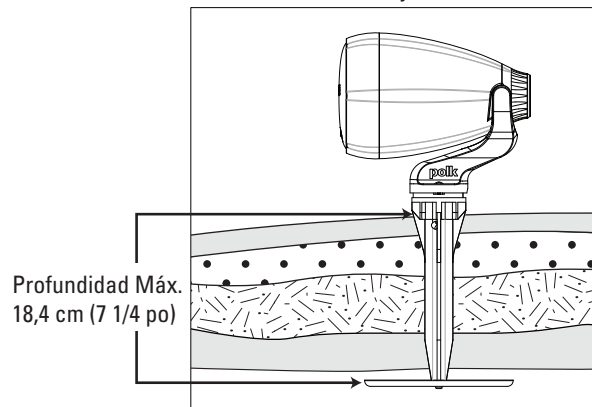
Para montar el Sat30 en el suelo con una placa de seguridad, se necesitan las siguientes piezas:

- 1 altavoz Sat30
- 1 estaca
- 1 placa de seguridad
- 1 tope de goma
- 1 tornillo de cabeza troncocónica Nº 10 (para la placa de seguridad)
- 1 arandela de presión tipo anillo abierto de 1/4 de plg.
- 2 tornillos de cabeza troncocónica Nº 6 (para montar el altavoz en la estaca)

### Vista Expandida Del Sat30



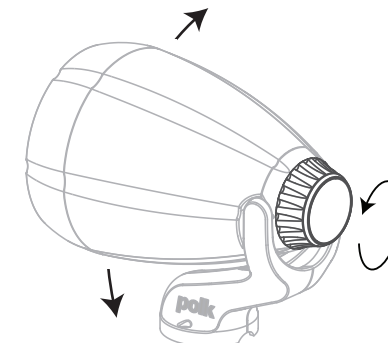
### Profundidad De Montaje En El Suelo



### Instrucciones:

1. Fije la estaca a la placa de seguridad con el tornillo de cabeza troncocónica Nº 10 y la arandela de presión partida.
2. Haga un hueco del diámetro de la placa de seguridad (6 1/2 plg.) y una profundidad (máx 7 1/4 plg. / min 2 1/4 plg.) que estabilice y asegure el altavoz una vez que se apisona la tierra alrededor de la placa.
3. Ponga la placa de seguridad con la estaca en el hueco y cúbrala de tierra apisonándola con el pie a medida que llena el hueco.
4. Fije el Atrium Sat30 en la estaca con el tope de goma y los tornillos de cabeza troncocónica Nº 6.
5. Afloje la perilla para orientar el altavoz. Cuando el altavoz esté correctamente orientado, apriete la perilla.

**ADVERTENCIA:** Orientar el Sat30 a más de 45 grados con respecto a la horizontal puede dar como resultado una acumulación de agua dentro de la rejilla, lo cual podría dañar el altavoz, especialmente cuando hiciera frío y el agua pudiera congelarse.



### Orientación Del Altavoz

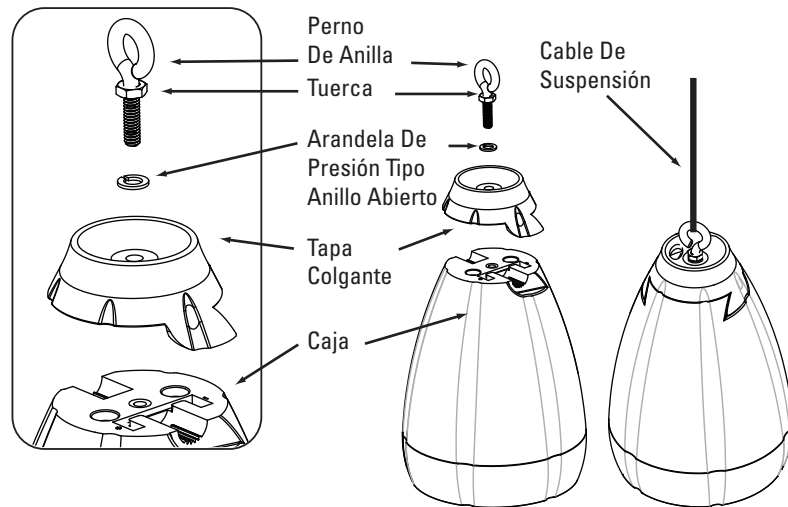
### Montaje En El Suelo Sin Placa De Seguridad

Si decide montar el altavoz Sat30 en el suelo sin la placa de seguridad, asegúrese de que la tierra esté suficientemente compactada como para sostener firmemente en posición el altavoz y la estaca. Clave cuidadosamente la estaca en la tierra con un martillo de goma y siga las instrucciones a partir del paso 4.

## MONTAJE COLGANTE

Para colgar el Sat30 del cielo raso, se necesitan las siguientes piezas:

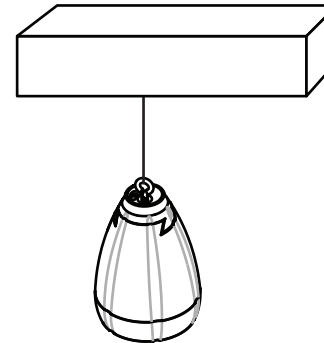
- 1 Altavoz Sat30
- 1 Perno de anilla (con tuerca)
- 1 Arandela de presión tipo anillo abierto de 1/4 de plg.
- 2 Conectores Faston
- 1 Cable de suspensión (no se incluye)
- 1 Cable de altavoz (no se incluye)
- 1 Tapa colgante



## Instrucciones:

**Nota:** Se necesita un cable de suspensión (no se incluye) para colgar el altavoz Atrium Sat30 del cielo raso o de una viga. Utilice cable que cumpla o supere los requisitos de los códigos de seguridad y/o construcción correspondientes a la situación de montaje. El altavoz pesa 3.5 lbs.

1. Determine a qué distancia del cielo raso o la viga desea que quede el altavoz.

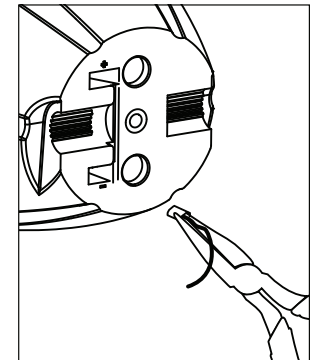
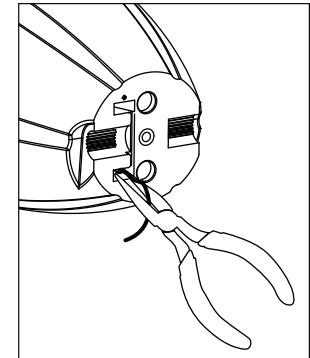


2. Asegure el cable de suspensión al cielo raso o la viga y encamine el cable de altavoz a lo largo del cable de suspensión.

3. Póngales a los cables del altavoz los conectores Faston incluidos (grande = "+", pequeño = "-")

4. Exponga las terminales de pala del altavoz, que se encuentran en la parte de atrás de la caja, quitando la perilla, la abrazadera y el soporte.

5. Desconecte el cable de altavoz de las terminales de pala con alicates de punta fina y quite la unidad de soporte.



6. Encamine el nuevo cable de altavoz a través del agujero para cable de la tapa colgante y conecte los conductores a las terminales de pala del altavoz, manteniendo la polaridad correcta.

7. Fije la tapa colgante al altavoz con el perno de anilla, la arandela de presión y la tuerca.

8. Una el cable de suspensión al perno de anilla.

**Precaución:** Se requiere un montaje bien firme para evitar lesiones personales o daños al altavoz.

## MONTAJE EN SOPORTE

Para lograr un montaje más sólido, atornille el soporte directamente a uno de los parales verticales que soportan peso en la superficie de montaje.

Para montar el Sat30 en un soporte, se necesitan las siguientes piezas:

- 1 altavoz Atrium Sat30
- 1 tope de goma (opcional)
- 2 tornillos de cabeza troncocónica N° 6
- 1 plantilla de montaje para Sat30

### Instrucciones:

1. Determine dónde desea montar el altavoz.
2. Ponga la plantilla de montaje contra la superficie de montaje y marque la ubicación de los agujeros para los tornillos con un lápiz.
3. Con una broca de 1/8 de plg., haga los agujeros de montaje (si es necesario).

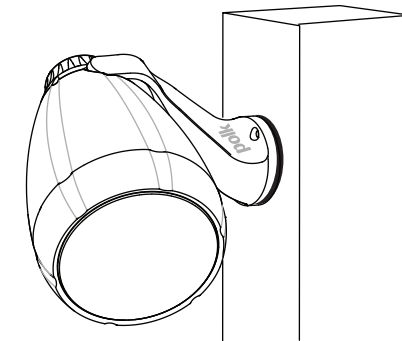
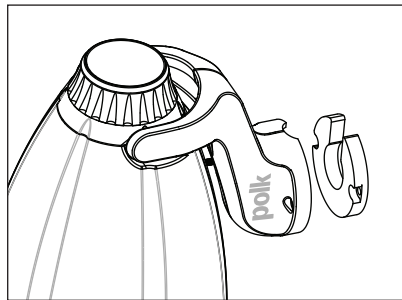
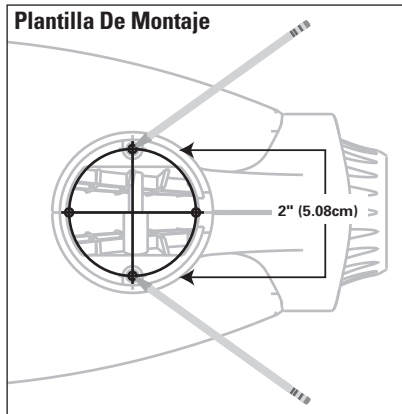
**Nota:** Utilice anclas de pared si va a montar el altavoz sobre pared de plancha de yeso.

4. Afloje la perilla de atrás del altavoz para que el altavoz pueda girar.

**Nota:** El soporte del altavoz tiene una muesca para los cables de altavoz. Esta muesca permite encaminar los cables de altavoz hasta la superficie de montaje. También puede hacerse un agujero en la superficie de montaje y pasar los cables de altavoz a través de ese agujero.

5. Ponga el tope de goma debajo del soporte (opcional).
6. Sujete el altavoz contra la superficie de montaje.
7. Fije la unidad de altavoz con los tornillos de cabeza troncocónica N° 6 incluidos.

8. Una vez que haya dejado el altavoz en el ángulo deseado, apriete la perilla de atrás del altavoz para mantenerlo en posición.



**ADVERTENCIA:** Orientar el Sat30 a más de 45 grados con respecto a la horizontal puede dar como resultado una acumulación de agua dentro de la rejilla, lo cual podría dañar el altavoz, especialmente cuando hiciera frío y el agua pudiera congelarse.

## PINTURA DEL SUBWOOFER Sub10

Aunque el Atrium Sub10 tiene un acabado impregnado de color que le permite armonizar con el paisajismo y los accesorios de su ambiente al aire libre, la caja se puede pintar. Si usted decide pintar los altavoces, siga las instrucciones que se presentan a continuación:

Antes de comenzar, necesitará lo siguiente:

- Una lata de pintura base (aerosol Krylon N° 1318 que se puede lijar).
- Una lata de pintura para exteriores del color que haya escogido.
- Cinta enmascaradora.
- Máscara de pintura (no se incluye) para cubrir las partes que no se pueden pintar.

### PREPARACIÓN PARA LA PINTURA

1. Enmascare cuidadosamente las siguientes piezas:
  - Excitador
  - Perno de anilla
  - Cable

### PINTURA DE LA CAJA

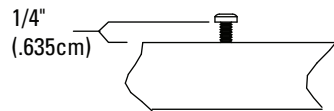
1. Aplique dos capas delgadas de base a la caja.
2. Cuando la base esté completamente seca, aplique el acabado de color. Puede ser necesario aplicar varias capas para lograr un aspecto uniforme.
3. Cuando la pintura esté completamente seca, quite el material de enmascarado.
4. Manipule lo menos posible las piezas con pintura fresca.

## MONTAJE DEL SUBWOOFER ATRIUM Sub10

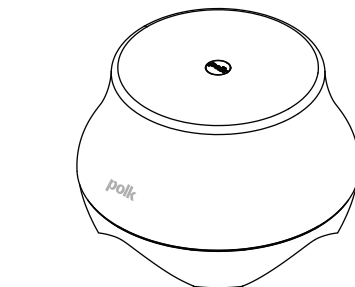
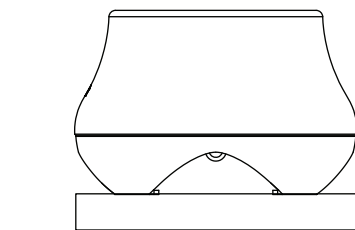
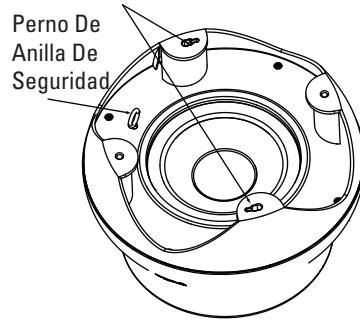
El Sub10 se puede poner en cualquier parte.

### MONTAJE EN LA TERRAZA

1. Determine dónde desea colocar el subwoofer.
2. Mida la distancia de centro a centro entre las ranuras en forma de ojo de cerradura e instale en la terraza dos tornillos de montaje N° 10 dejando 1/4 de plg. de cada tornillo expuesto sobre la superficie.
3. Coloque el subwoofer sobre los tornillos de cabeza troncocónica y gire el Sub10 en la dirección de las agujas del reloj para que las ranuras en forma de ojo de cerradura se bloqueen en los tornillos de cabeza troncocónica.



Ranura En Forma De Ojo De Cerradura



### UBICACIÓN EN EL JARDÍN

Usted puede ubicar el subwoofer Atrium Sub10 en cualquier parte a la cual pueda hacer llegar cable de altavoz. Si pone el subwoofer en un arriate de jardín, sobre terreno blando o sobre mantillo, le recomendamos que lo ponga sobre una baldosa de pavimentación u otra superficie dura. Esto evita que el mantillo o la tierra se acumulen en el espacio que queda debajo del subwoofer, que debe permanecer despejado para que el rendimiento sea óptimo y para evitar dañar el excitador.

Hay una rejilla accesoria opcional para evitar que los animales se instalen debajo del subwoofer. (Pieza N° AM3387-A)

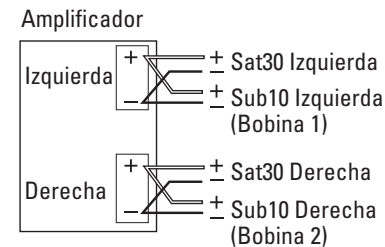
**Nota:** El Sub 10 tiene un perno de anilla de seguridad integrado que le permite anclarlo en su lugar.

## INSTRUCCIONES DE CABLEADO DEL ALTAVOZ ATRIUM SAT30 Y EL SUBWOOFER ATRIUM SUB10:

**Conecte sólo dos altavoces Sat30 por canal estereofónico.**  
(No se venden en pares.)

El altavoz Atrium Sat30 y el subwoofer Atrium Sub10 vienen con 3 pies de cable de cable de altavoz CL3 cada uno. Este cable se puede enterrar. El Sat30 tiene dos conductores, uno rojo que dice "+" y uno negro que dice "-". El Sub10 tiene cuatro conductores (blanco, verde, rojo y negro) porque tiene dos bobinas acústicas. Mantenga la polaridad correcta durante la conexión para evitar problemas de rendimiento y/o daño al amplificador.

La configuración estándar para audición al aire libre consta de dos altavoces Sat30 y un subwoofer Sat10.

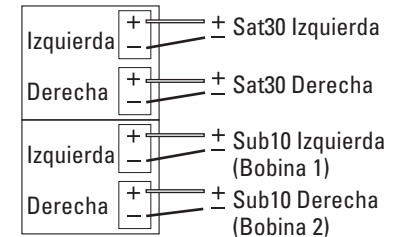


Conecte uno de los altavoces Sat30 a las terminales +/- del canal de salida izquierdo del amplificador (cable rojo al "+", cable negro al "-"). Conecte el otro altavoz Sat30 a las terminales +/- del canal de salida derecho del amplificador. Luego, conecte los cables blanco y verde del Sub10 al canal de salida izquierdo del amplificador y los cables rojo y negro del Sub10 al canal de salida derecho del amplificador.

Amplificador De Salida	Sat30 #1	Sat30 #2	Sub10
Izquierda	+	Rojo	Blanco
	-	Negro	Verde
Derecha	+		Rojo
	-		Negro

Hay una configuración alterna en que el Sat30 y el Sub 10 se conectan a las salidas izquierda y derecha de dos amplificadores.

### Amplificador Doble

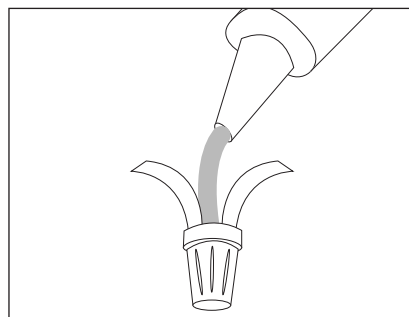
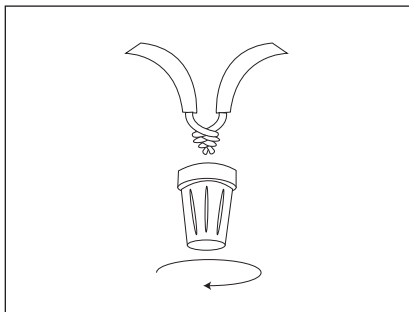


Conecte uno de los altavoces Sat30 a las terminales +/- del canal de salida izquierdo del primer amplificador y el otro altavoz Sat30 a las terminales +/- del canal de salida derecho del primer amplificador. Conecte los cables blanco y verde del Sub10 al canal izquierdo del segundo amplificador y los cables rojo y negro del Sub10 al canal derecho del segundo amplificador.

Amplificador De Salida			Sat30 #1	Sat30 #2	Sub10
Amp #1	Izquierda	+	Rojo		
		-	Negro		
	Derecha	+		Rojo	
		-		Negro	
Amp #2	Izquierda	+			Blanco
		-			Verde
	Derecha	+			Rojo
		-			Negro

**Siempre se deben conectar los canales izquierdo y derecho para lograr una salida máxima. Mantenga la polaridad positiva (+) y negativa (-) correcta. Invertir la polaridad de un subwoofer de dos bobinas puede dar como resultado muy baja salida de bajos y dañar el altavoz o el amplificador.**

Todas las conexiones de altavoz se deben hacer con los conectores de torsión Wire-Nut® incluidos. Recomendamos llenar cada conector de torsión con sellador de silicona para que la conexión sea resistente a la intemperie.



Se puede conectar cualquier cantidad de altavoces Sat30 en la instalación. Para las aplicaciones que requieren más de dos altavoces Sat30, disponga un canal de amplificador separado por cada par adicional de altavoces Sat30. No conecte respectivamente dos pares de altavoces Sat30 a los canales A y B del receptor o amplificador, pues esto puede sobrecargar y dañar los circuitos del receptor o amplificador. Si necesita ayuda para cablear o conectar más de un par de altavoces Sat30, comuníquese con el departamento de apoyo técnico

#### Limited Warranty

Polk Audio, Inc. warrants to the original purchaser only that this Polk Audio Loudspeaker Product (the "Product") will be free from defects in materials and workmanship for a period of five (5) years from the date of original retail purchase from a Polk Audio Authorized Dealer. However, this Warranty will automatically terminate prior to the expiration of the five (5) years if the original retail purchaser sells or otherwise transfers the Product to any other party. The original retail purchaser shall hereinafter be referred to as "you." To allow Polk Audio to offer the best possible warranty service, please fill out the Product Registration Card(s) and send it to the Factory, at the address provided on the Product Cards(s) within ten (10) days of the date of purchase. Defective Products must be shipped, together with proof of purchase, prepaid insured to the Polk Audio Authorized Dealer from whom you purchased the Product, or to the Factory at 1 Viper Way, Vista, California 92081. Products must be shipped in the original shipping container or its equivalent; in any case the risk of loss or damage in transit is to be borne by you. If upon examination at the Factory or Polk Audio Authorized Dealer it is determined that the unit was defective in materials or workmanship at any time during this Warranty period, Polk Audio or the Polk Audio Authorized Dealer will, at its option, repair or replace this Product at no additional charge, except as set forth below. All replaced parts and Products become the property of Polk Audio. Products replaced or repaired under this warranty will be returned to you, within a reasonable time, freight prepaid.

This warranty does not include service or parts to repair damage caused by accident, disaster, misuse, abuse, negligence, inadequate packing or shipping procedures, commercial use, voltage inputs in excess of the rated maximum of the unit, cosmetic appearance of cabinetry not directly attributable to defect in materials or workmanship, or service, repair, or modification of the Product which has not been authorized or approved by Polk Audio. This warranty shall terminate if the Serial number on the Product has been removed, tampered with or defaced. This warranty is in lieu of all other expressed Warranties. If this Product is defective in materials or workmanship as warranted above, your sole remedy shall be repair or replacement as provided above. In no event will Polk Audio, Inc. be liable to you for any incidental or consequential damages arising out of the use or inability to use the Product, even if Polk Audio, Inc. or a Polk Audio Authorized Dealer has been advised of the possibility of such damages, or for any claim by any other party. Some states do not allow the exclusion or limitation of consequential damages, so the above limitation and exclusion may not apply to you.

All implied warranties on this Product are limited to the duration of this expressed Warranty. Some states do not allow limitation on how long an implied Warranty lasts, so the above limitations may not apply to you. This Warranty gives you specific legal rights, and you also may have other rights which vary from state to state.

This Warranty applies only to Products purchased in the United States of America, its possessions, and U.S. and NATO armed forces exchanges and audio clubs. The Warranty terms and conditions applicable to Products purchased in other countries are available from the Polk Audio Authorized Distributors in such countries.



## Garantie Limitée

Polk Audio Inc. garantit à l'acheteur au détail original seulement que ce produit Polk Audio (le produit) sera exempt de défauts imputables aux pièces d'origine et à la main d'œuvre pour une période de cinq (5) ans à partir de la date de l'achat au détail original chez un revendeur agréé. Cependant, cette garantie sera automatiquement annulée avant l'expiration de la période de cinq (5) ans si l'acheteur original vend ou transfère le produit à tout autre parti. L'acheteur au détail original sera nommé ci-après «vous.» Pour permettre à Polk Audio de vous offrir le meilleur service de garantie possible, veuillez remplir la (les) carte(s) d'enregistrement de produit et la (les) poster à l'usine à l'adresse inscrite sur la (les) carte(s) d'enregistrement dans les dix (10) jours suivant la date de l'achat original.

Les produits défectueux doivent être expédiés, avec une preuve d'achat, francs de port et dûment assurés, au revendeur agréé Polk Audio de qui vous avez acheté le produit, ou à l'usine Polk Audio, à l'adresse: 1 Viper Way, Vista, California 92081. Les produits doivent être expédiés dans leur carton d'expédition original ou dans un contenant équivalent. En tout cas le propriétaire doit assumer tout risque de perte ou de dommage en transit.

Si, suite à l'examen du produit à l'usine Polk ou chez le revendeur agréé Polk Audio, il est déterminé que la défectuosité est imputable aux matériaux d'origine ou à la main d'œuvre au cours de la période de la garantie spécifiée, Polk Audio ou le revendeur Polk Audio réparera ou remplacera, à sa guise, le produit sans frais additionnels sauf dans les cas décrits ci-dessous. Toute pièce ou produit remplacé devient la propriété de Polk Audio. Les produits réparés ou remplacés sous la garantie vous seront expédiés francs de port dans un délai raisonnable.

Cette garantie n'inclut pas le service ou les pièces nécessaires à la réparation des dommages provoqués par accident, désastre, abus, négligence, mode d'expédition ou emballage inadéquat, utilisation commerciale, tensions supérieures au maximum prescrit pour l'unité, détérioration de l'aspect visuel de l'unité non directement attribuable à un défaut de pièces d'origine ou de main d'œuvre, ou par le service, la réparation, ou toute modification du produit n'ayant pas été autorisé ou approuvé par Polk Audio.

Cette garantie sera annulée si le numéro de série sur le produit a été enlevé, altéré ou falsifié. Cette garantie prend préséance sur toutes autres garanties énoncées. Si la défectuosité de ce produit est imputable aux pièces d'origine ou à la main d'œuvre selon les conditions de la garantie exprimées ci-dessus, votre seul recours sera la réparation ou le remplacement selon les conditions décrites ci-dessus. Dans aucun cas Polk Audio, Inc. pourra-t-elle être tenue responsable de tout dommage accessoire ou indirect causé par l'utilisation ou par l'incapacité d'utilisation du produit, même si Polk Audio, Inc. ou un revendeur agréé Polk Audio, a été avisé de la possibilité de tel dommage, ou pour toute réclamation par tout autre parti. Certains états ne permettant pas l'exclusion ou la limitation des dommages indirects, les limitations et exclusions exprimées ci-dessus pourraient ne pas s'appliquer dans votre cas.

Toutes les garanties tacites sur ce produit sont limitées à la durée de la garantie énoncée. Certains états ne permettant pas la limitation de la durée d'une garantie tacite, les limitations ci-dessus pourraient ne pas s'appliquer dans votre cas. Cette garantie vous accorde des droits légaux spécifiques; vous pourriez également avoir d'autres droits qui pourraient varier d'état en état.

Cette garantie s'applique seulement aux produits achetés aux États-Unis d'Amérique et ses possessions, et dans les clubs audio et d'échange des forces armées des É.-U. et de l'OTAN. Les modalités et les conditions de garantie applicables aux produits achetés dans d'autres pays sont disponibles chez les distributeurs agréés Polk Audio établis dans ces pays.



**polkaudio®**

**5601 METRO DRIVE  
BALTIMORE, MARYLAND 21215  
800-377-7655 (US & CAN, OUTSIDE US 410-358-3600)  
WWW.POLKAUDIO.COM**



## Free Manuals Download Website

<http://myh66.com>

<http://usermanuals.us>

<http://www.somanuals.com>

<http://www.4manuals.cc>

<http://www.manual-lib.com>

<http://www.404manual.com>

<http://www.luxmanual.com>

<http://aubethermostatmanual.com>

Golf course search by state

<http://golfingnear.com>

Email search by domain

<http://emailbydomain.com>

Auto manuals search

<http://auto.somanuals.com>

TV manuals search

<http://tv.somanuals.com>