

**O W N E R ' S
M A N U A L**

RM6000 **SPEAKER SYSTEM**

polkaudio
the speaker specialists®

GETTING STARTED

The RM6000 System carton should contain the following items:

- Four (4) magnetically shielded satellite speakers
- One (1) magnetically shielded center channel speaker
- One (1) Powered Subwoofer
- Five (5) sets of four (4) "Bump Ons" (adhesive rubber feet), 20 total
- One (1) warranty card

Please inspect each loudspeaker carefully. Notify your Polk Audio dealer if you notice any difference, damage, or any missing items. Keep the carton and packing material. They will do the best job of protecting your speakers if they need to be transported.

SPEAKER PLACEMENT

CENTER CHANNEL SPEAKER (Figure 1)

Place the center channel speaker as close to your TV as possible in order to "anchor" dialogue and effects to the screen area. The most popular placement for a center channel speaker is right on top of your TV set. It is also fine to place below the TV or on the wall directly above the TV; use the convenient keyhole slots on the rear of the speaker (see next section).

FRONT SATELLITES (Figure 2)

To provide ideal imaging, try to place the front satellites to the left and right of your TV about as far apart as the distance you are sitting from them. Avoid placing them less than 2 feet (60cm) from the side walls of the room. RM Satellites will sound great mounted on the wall on stands, bookshelves, or in entertainment centers. RM6000 satellites are easy to mount on the wall using convenient keyhole slots built right in the back of the speakers. When mounting the speakers on stands or on a shelf, place them at or near your ear level. (Speaker stands appropriate for the RM6000 satellites are available at your Polk Audio dealer or in the Polk Webstore at www.polkaudio.tranguard.com.)

SURROUND SPEAKERS (Figures 3a, 3b)

The best placement for surround channel speakers is on the side walls, facing each other, a foot or two behind your listening position. If this placement is not possible, the speakers may be placed on a rear wall. In either case, mount the speakers two to four feet (60-120cm) above your head (when seated).

POWERED SUBWOOFER (Figures 4, 5)

The RM6000 System includes a Powered Subwoofer to enhance bass and really add punch to your home theater. This subwoofer may be placed inside an entertainment center, behind furniture or next to a sofa or chair. It can be placed anywhere in the room, but you will get the best performance from it when it is on the same side of the room as the front satellites. Placing it near a wall or in a corner will increase bass loudness. Allow at least 6 inches (15cm) of space between the subwoofer driver and a wall or obstruction. It may lie on its side, but NEVER LAY THE SUBWOOFER ON THE AMPLIFIER END - THIS WILL DAMAGE THE AMPLIFIER (Figure 5). This subwoofer is not magnetically shielded and should not be placed close to a television set. If you see any color distortion on your TV, move the subwoofer away from the set.

For more detailed subwoofer placement and set-up advice go to <http://www.polkaudio.com/home/faqad/>.

WALL-MOUNTING THE SATELLITES AND CENTER SPEAKER (FIGURES 6, 7)

For easy, safe and secure installation, RM Series Satellite and Center Channel Speakers have keyhole slots incorporated into their design (2 on the back of the Center Channel and 1 on the back of the Satellites). On-wall installation of RM speakers requires basic skills and basic tools (drill and screwdriver). If you are in doubt that you possess the necessary skills or tools, consult your Polk dealer or a professional installer. Otherwise, grab your tools and follow the steps below to safely secure the speakers to the location of your choice.

- Make sure the locations you have selected for wall-mounting do not conceal electrical wiring or plumbing.
- Hold the speaker in the chosen location to make certain it clears the ceiling, adjacent walls, corners, beams, lighting fixtures and door/window frames.
- If you are certain that there is a stud behind the wall surface, drive a #10 screw (not supplied) through the wall and into the stud leaving the screw head protruding 1/8" (4mm) (Figure 6a)
- If there is no stud behind the chosen location, install a #10 wall anchor (not supplied) into the wall by following the wall anchor manufacturer's directions, then insert a #10 screw (not supplied), leaving the screw head protruding 1/16" (1.6mm) (Figure 6b).
- For masonry walls, use a masonry drill bit and #10 masonry anchor and screw (not included).
- Line up the speaker so that the screw head passes through the large center hole of the keyhole slot. Let the speaker slide straight down, allowing the screw head to slip behind the smaller end of the keyhole slot (Figure 7).
- If you require more flexibility, use an optional fully articulating "ball and socket" type mounting bracket such as the Series 25 RST by Omnimount, available at your Polk Audio dealer or in the Polk Webstore at www.polkaudio.tranguard.com.

CONNECTING THE SPEAKERS TO YOUR SYSTEM

Follow the hookup directions included with your receiver. We recommend using two-conductor 16 gauge or thicker speaker wire. Strip 1/4" (6mm) of insulation from each of the two conductors to expose the bare metal and twist each of the individual conductors into single unfrayed strands. Note that one of the terminals on the rear of each speaker is red (+) and the other is black (-). Make certain that you connect the wire from the red (+) terminal of your amplifier or receiver to the red (+) terminal on your speaker and the wire from the black (-) terminal of your amplifier or receiver to the black (-) terminal on your speaker. Most wire has some indicator (such as color-coding, ribbing or writing) on one of the two conductors to help you maintain consistency. If your speakers sound "thin," with little bass and little or no center image, chances are that one of the speaker wires is connected backwards. Double-check all connections.

USING PUSH-TAB CONNECTORS (FIGURE 8)

To connect wire to the push-tab connectors, push the plastic tab of one connector to open the hole. Insert the bare wire into the hole and release the plastic tab (**Figure 8**). Repeat this step with the other connectors.

A NOTE ABOUT BASS MANAGEMENT

For best sound, DO NOT USE THE "SUBWOOFER OUTPUT" OR LFE JACK ON YOUR RECEIVER TO CONNECT THE SUBWOOFER. The RM6000 System features a powered subwoofer that has a built-in, adjustable low pass filter to separate the low frequency signals (the bass) from the full range signal. The dedicated "subwoofer output" jacks (sometimes labeled "LFE" or "Low Frequency Effects") on most receivers also contain a fixed low pass filter. If you connect the subwoofer to the receiver's LFE Out jack, the two filters will interact, reducing the fidelity of your system. Follow the hook up and receiver set-up/bass management instructions below and all of the bass will go to the subwoofer, you will not lose any bass, and you will get the highest possible performance from your system. We promise.

For more detailed subwoofer placement and set-up advice go to <http://www.polkaudio.com/home/faqad/>.

RECOMMENDED HOOK-UP METHOD (FIGURES 9, 10)

- Connect the left and right front speaker outputs of your receiver or amplifier to the speaker level inputs of the powered subwoofer with speaker wire.
- Then, connect the left and right front satellite speakers with speaker wire from the speaker level outputs from the powered subwoofer.
- If it is more convenient, parallel wire the subwoofer and front satellites from your receiver (**Figure 10**).
- Connect the Center Channel Speaker directly to the center channel output from your receiver.
- Connect the Rear Surround Satellites directly to the rear or surround channel outputs from your receiver.

RECEIVER SET-UP/BASS MANAGEMENT

All surround receivers allow you to "customize" their performance depending on the size of your speakers. Refer to the owner's manual of your receiver or surround processor to learn how this is done. To get the best performance from the RM6000, use the following settings with the above hook-up method:

- Front speakers—set to "large"
- Center speaker—set to "normal" or "small"
- Surround speakers—set to "small"
- Subwoofer—set to "OFF" or "none." (We know. Doesn't make sense, right? Your RM6000 has a subwoofer. But really truly, this is the correct setting for the recommended hook-up method. By setting the front left and right speakers to "Large" and routing them through the subwoofer as instructed above, you deliver a full range signal to the subwoofer's low pass filter. The low pass filter takes the low frequencies and passes the rest on to the front speakers, for perfect sub/sat blending.)

ADJUSTING THE POWERED SUBWOOFER FOR BEST PERFORMANCE (FIGURE 11)

- Set the Phase Switch to 180°.
- Start with the Volume Control at about the 12:00 Noon position. Adjust up or down until you get sufficient bass for your personal taste. Remember that sub placement position can have a very pronounced effect on the perceived bass level.
- Turn the Low Pass Filter Control to the 2:00 position and adjust as appropriate for best sub/sat blending. You'll know the setting is correct when a high quality recorded male voice sounds full without any "chestiness." If vocals sound "thin" turn this setting up (toward 160Hz), if they sound "boomy," turn it down (toward 80Hz).

SAFE LIMITS OF OPERATION

Your Polk Audio RM Series loudspeakers are made with the highest-quality materials to ensure years of great sounding, trouble-free performance. However, damage to loudspeakers can occur when an amplifier, regardless of its wattage, is made to play at higher listening levels that its power can clearly produce. (This is usually beyond the "1 to 2 o'clock" position on the volume control.) This results in very high levels of audible distortion originating in the amplifier, which adds a harsh, gritty sound to the music you're listening to. Contrary to popular belief, a speaker is more likely to be damaged by trying to get too much volume from a low-powered amp or receiver than from a high-powered one.

MAINTAINING THE APPEARANCE OF RM SERIES SPEAKERS

Your new speaker cabinet is made of a rugged material that can be dusted or cleaned with a damp cloth. Avoid harsh detergents and cleaning fluids; they can permanently damage the finish of your speakers. Gently vacuum the grilles to remove dust.

TECHNICAL ASSISTANCE OR SERVICE

If, after following these hook up directions, you experience difficulty, please double-check all wire connections. Should you isolate the problem to the speaker, contact the authorized Polk Audio dealer where you made your purchase, or call Polk Audio's friendly Customer Service Department at 800-377-7655 (US or CAN), 410-764-5266 (9am to 6pm EST, Monday through Friday). You may also contact us via email: polkcs@polkaudio.com. For more information, visit www.polkaudio.com.

For more detailed hook up information and manual updates, visit:

<http://www.polkaudio.com/home/products/systems/rm6000>

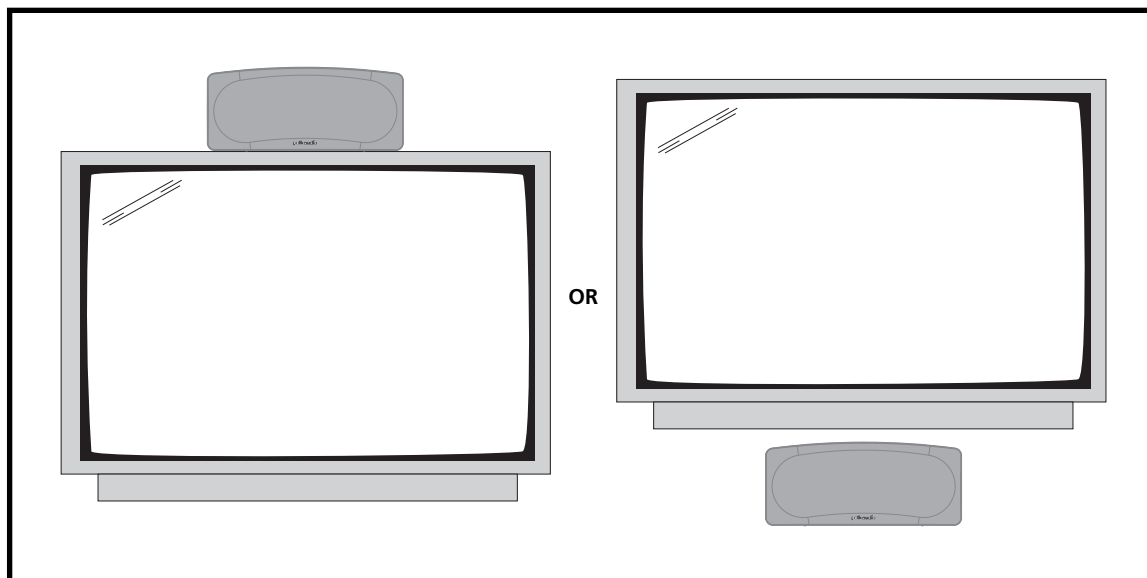
or

<http://www.polkaudio.com/home/faqad>

For recommended accessories (including speaker stands, brackets, accessories and exclusive Polk Audio logowear) visit our webstore:

<http://www.polkaudio.tranguard.com>

Figure 1



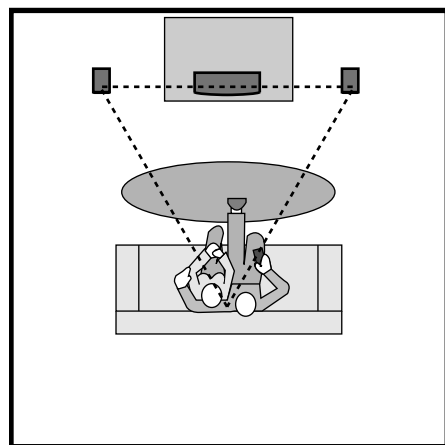
Most popular placement, above the TV screen. RM6000 Series Center Channel Speakers can also be wall mounted. RM6000 Series Loudspeakers are magnetically shielded for safe placement near TV or video monitors. If you notice video distortion or discoloration, immediately move the speakers away from the video source and call Polk Audio Customer Service 800.377.7655 (US & Can) or polkcs@polkaudio.com

Esta es la ubicación más popular, sobre el televisor. Los altavoces de canal central de la serie RM6000 también se pueden montar en la pared. Los altavoces de la serie RM6000 tienen blindaje magnético para poder ubicarlos con seguridad cerca de televisores o monitores de video. Si nota que hay distorsión o descoloración del video, aleje inmediatamente los altavoces de la fuente de video y llame al Servicio al Cliente de Polk Audio al 800.377.7655 (EE.UU. y Canadá) o escriba a polkcs@polkaudio.com.

Disposition la plus courante, au-dessus de l'écran. Les enceintes centrales de la Série RM6000 peuvent également être installées au mur. Elles sont blindées magnétiquement et peuvent être disposées à proximité d'une télé ou d'un moniteur vidéo. Si vous percevez de la distorsion ou de la décoloration vidéo, éloignez immédiatement les enceintes de l'écran et communiquez avec le service à la clientèle de Polk. 800-377-7655 (É-U et Can) ou polkcs@polkaudio.com

Häufigste Platzierung – über dem Fernsehbildschirm. Lautsprecher der Serie RM6000 können auch an der Wand montiert werden. Diese Lautsprecher (RM6000) sind für eine Platzierung in der Nähe von Fernsehgeräten oder Videomonitoren magnetisch abgeschirmt. Wenn Sie eine Verzerrung oder Verfärbung des Videobildes bemerken, sind die Lautsprecher umgehend von der Videoquelle zu entfernen. Setzen Sie sich in diesem Fall mit dem Kundendienst von Polk Audio in Verbindung (telefonisch unter: 1 (800) 377.7655 — gebührenfrei, nur in den USA/Kanada — oder per E-Mail an: polkcs@polkaudio.com).

Figure 2



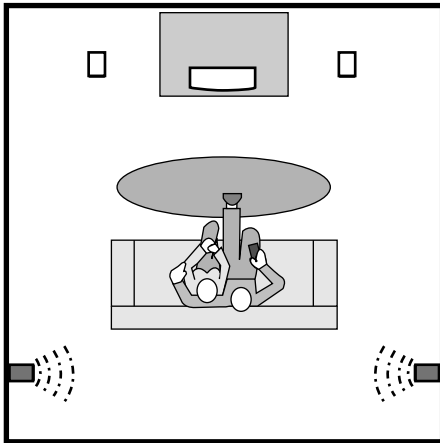
Front speaker array. Create an equilateral triangle between the speakers and the listening position. RM6000 Series Loudspeakers are magnetically shielded for safe placement near TV or video monitors. If you notice video distortion or discoloration, immediately move the speakers away from the video source and call Polk Audio Customer Service 800.377.7655 (US & Can) or polkcs@polkaudio.com

Disposición de los altavoces frontales. Forme un triángulo equilátero entre los altavoces y la posición de audición. Los altavoces de la serie RM6000 tienen blindaje magnético para poder ubicarlos con seguridad cerca de televisores o monitores de video. Si nota que hay distorsión o descoloración del video, aleje inmediatamente los altavoces de la fuente de video y llame al Servicio al Cliente de Polk Audio al 800.377.7655 (EE.UU. y Canadá) o escriba a polkcs@polkaudio.com.

Disposition des enceintes avant. Créez un triangle équilatéral entre les enceintes et la position d'écoute. Les enceintes de la série RM6000 sont blindées magnétiquement et peuvent être disposées à proximité d'une télé ou d'un moniteur vidéo. Si vous percevez de la distorsion ou de la décoloration vidéo, éloignez immédiatement les enceintes de l'écran et communiquez avec le service à la clientèle de Polk. 800-377-7655 (É-U et Can) ou polkcs@polkaudio.com

Anordnung der vorderen Lautsprecher. Bilden Sie ein Dreieck zwischen den Lautsprechern und Ihrer Hörposition. Diese Lautsprecher (RM6000) sind für eine Platzierung in der Nähe von Fernsehgeräten oder Videomonitoren magnetisch abgeschirmt. Wenn Sie eine Verzerrung oder Verfärbung des Videobildes bemerken, sind die Lautsprecher umgehend von der Videoquelle zu entfernen. Setzen Sie sich in diesem Fall mit dem Kundendienst von Polk Audio in Verbindung (telefonisch unter: 1 (800) 377.7655 - gebührenfrei, nur in den USA/Kanada - oder per E-Mail an: polkcs@polkaudio.com).

Figure 3a



Placement options for rear/surround speakers.

Opciones de ubicación de los altavoces surround o de atrás.

Options de disposition des enceintes arrière- ambiophoniques.

Platzierungsoptionen für hintere Lautsprecher bzw. Surround-Lautsprecher.

Figure 3b

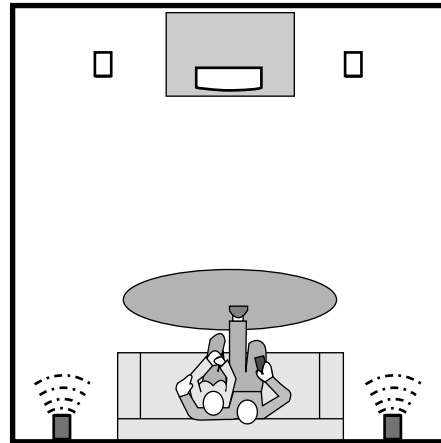
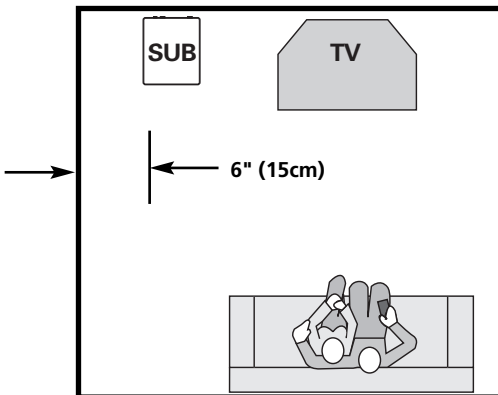


Figure 4



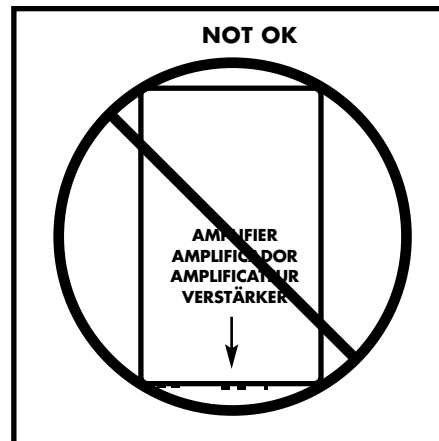
Allow at least 6" (15cm) between sub driver and wall or obstruction.

Deje por lo menos 15 cm (6 plg.) entre el excitador del subwoofer y la pared o la obstrucción.

Assurez un dégagement d'au moins 15cm (6po) entre le transducteur du subwoofer et le mur (ou toute autre obstruction).

Lassen Sie mindestens 15 cm Abstand zwischen dem Subwoofer (Treiber) und der Wand oder anderen Gegenständen.

Figure 5



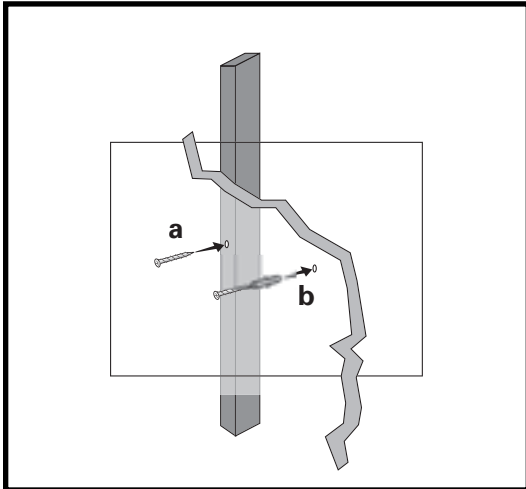
NEVER LAY THE SUBWOOFER ON ITS AMPLIFIER END. THIS WILL DAMAGE THE SUBWOOFER.

NUNCA COLOQUE EL SUBWOOFER SOBRE EL EXTREMO DE SU AMPLIFICADOR. ESTO DAÑARÍA EL AMPLIFICADOR.

NE COUCHEZ JAMAIS LE SUBWOOFER SUR SON AMPLIFICATEUR. L'AMPLIFICATEUR SERA ENDOMMAGÉ.

LEGEN SIE DEN SUBWOOFER NIE AUF DAS VERSTÄRKERENDE. DADURCH WIRD DER SUBWOOFER BESCHÄDIGT.

Figure 6



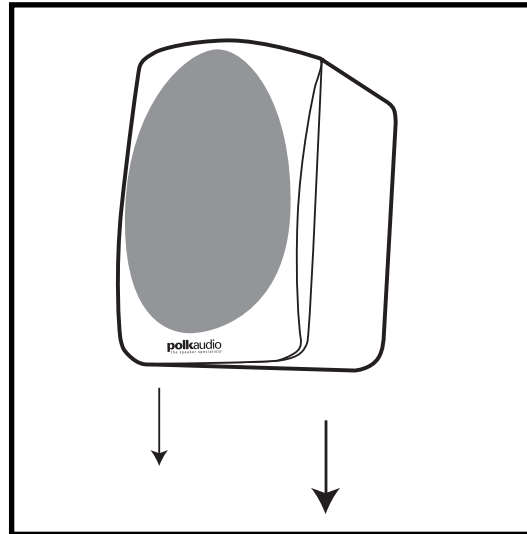
Use #10 screw for wall stud, use #10 wall anchors + screw for no wall stud.

Use tornillos n° 10 cuando haya parales internos en la pared, use to rnillos y anclas n° 10 cuando no haya parales internos.

Utilisez des vis #10 pour fixation sur un montant ou des chevilles #10 avec vis s'il n'y a pas de montant.

Verwenden Sie eine Schraube Nr. 10 für Wände mit Holzstielverstärkung bzw. Dübel und Schrauben (Nr. 10) für Wände ohne Holzstielverstärkung.

Figure 7



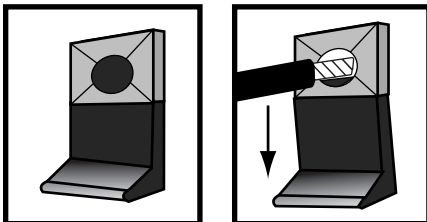
Slide the speaker down on the screw heads to catch the keyhole slots.

Deslice el altavoz sobre las cabezas de los tornillos para que encajen en las ranuras en forma de cerradura.

Glissez l'enceinte sur les têtes de vis jusqu'à ce que les encoches en trou de serrure s'enclenchent.

Schieben Sie den Lautsprecher auf die Schraubköpfe herunter, so dass er in den Ritzen einrastet.

Figure 8



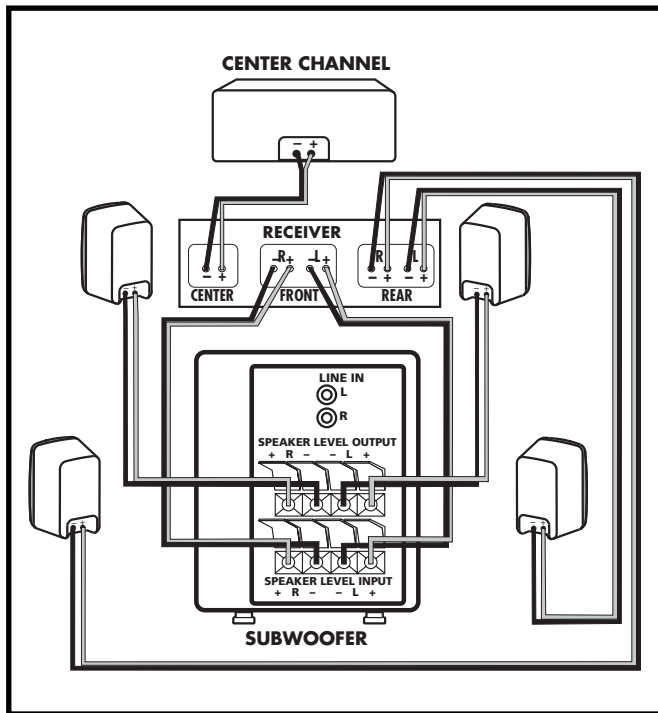
Using plastic tab connectors.

Uso de conectores de plástico.

Utilisation des bornes à languettes de plastique.

Verwendung der Kunststoffanschlüsse.

Figure 9



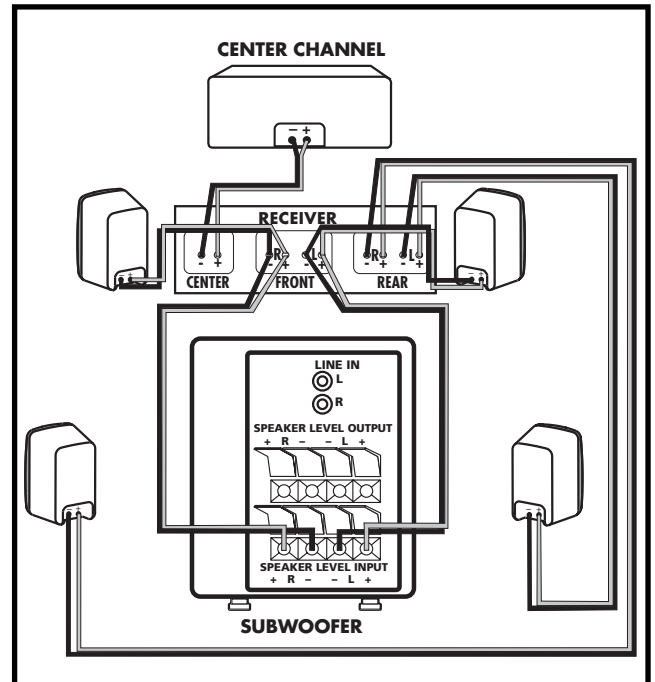
Basic Speaker Wire Hookup method. We recommend this method for best blending.

Método básico de conexión de los cables del altavoz. Recomendamos este método para obtener la mejor mezcla.

Branchement élémentaire des fils de haut-parleurs. Méthode recommandée pour la meilleure sonorité.

Grundlegende Methode zum Anschluss der Lautsprecherkabel. Zur Gewährleistung des optimalen Hörerlebnis empfehlen wir diese Methode.

Figure 10



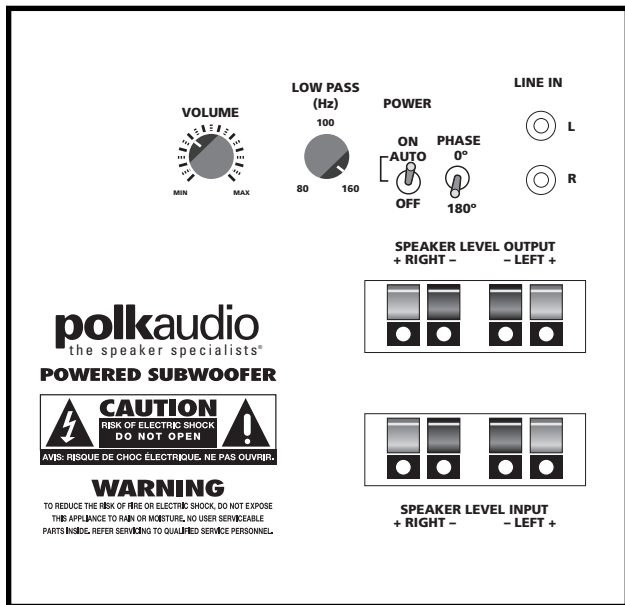
Parallel Wire Hookup.

Método de conexión usando cables con conectores RCA para salidas de preamplificador.

Branchement aux sorties niveau de ligne du préamplificateur.

Line-Level-Anschlussmethode mit Vorverstärker-Ausgängen.

Figure 11



Rear of RM6000 Powered Subwoofer showing controls.

Parte de atrás del subwoofer de potencia RM6000. Se ven los controles.

Arrière et contrôles du subwoofer amplifié RM6000.

Rückseite des Subwoofers (mit RM6000) mit Steuerungen.

SPECIFICATIONS RM6000 SYSTEM

System Frequency Response	32Hz-22kHz	
-3dB Frequency Response	45Hz-19kHz	
Recommended Amplifier Power	10-100 Watts continuous	
Efficiency Satellites & Center Channel	89db SPL (@ 1m, 2.83V drive level)	
Impedance	Compatible with 8 ohm amplifiers	
Driver Complement		
Satellites:	1 – 3" long throw mid-bass driver 1 1/2" dome video shielded	
Center Channel:	2 – 3" long throw mid-bass driver 1 1/2" dome video shielded	
Subwoofer:	8" long throw driver	
Subwoofer Amplifier:	50 Watts continuous average power into 4ohms <1%THD, 40-180Hz	
Size & Weight	Dimensions (H x W x D)	Weight
Satellites	5.4" x 3.5" x 4" 13.7cm x 8.9cm x 10.2cm	2 lbs. each 0.9 kg
Center	4.25" x 10" x 3.8" 10.8cm x 25.4cm x 9.7cm	3.5 lbs. each 1.6 kg
Subwoofer	13" x 11.5" x 14.5" 33.0cm x 29.2cm x 36.8cm	22.5 lbs. each 10.2 kg
RM6000 System Package Weight	40 lbs. total (18.1 kg)	

POLK AUDIO LIMITED WARRANTY

Warranty for Satellites and Center Channel Loudspeakers

Polk Audio, Inc. warrants to the original purchaser only that this Polk Audio Loudspeaker Product (the "Product") will be free from defects in materials and workmanship for a period of five (5) years from the date of original retail purchase from a Polk Audio Authorized Dealer. However, this Warranty will automatically terminate prior to the expiration of the five (5) years if the original retail purchaser sells or otherwise transfers the Product to any other party. The original retail purchaser shall hereinafter be referred to as "you."

Warranty for Subwoofer

Polk Audio, Inc., warrants to the original purchaser only that the amplifier in this Polk Audio Loud-speaker Product (the "Product") will be free from defects in material and workmanship for a period of three (3) years from the date of original retail purchase from a Polk Audio Authorized Dealer. Polk Audio, Inc., further warrants to the original purchaser only that the Loudspeaker(s) in this Polk Audio Product (the "Product") will be free from defects in material and workmanship for a period of five (5) years from the date of original retail purchase from a Polk Audio Authorized Dealer. The original retail purchaser shall hereinafter be referred to as "you." However, this Warranty will automatically terminate prior to the expiration if you sell or otherwise transfer the Product to any other party.

To allow Polk Audio to offer the best possible warranty service, please fill out the Product Registration Card(s) and send it to the Factory, at the address provided on the Product Cards(s) within ten (10) days of the date of purchase.

Defective Products must be shipped, together with proof of purchase, prepaid insured to the Polk Audio Authorized Dealer from whom you purchased the Product, or to the Factory at 2550 Britannia Boulevard, Suite D, San Diego, California 92154. Products must be shipped in the original shipping container or its equivalent; in any case the risk of loss or damage in transit is to be borne by you. If upon examination at the Factory or Polk Audio Authorized Dealer it is determined that the unit was defective in materials or workmanship at any time during this Warranty period, Polk Audio or the Polk Audio Authorized Dealer will, at its option, repair or replace this Product at no additional

charge, except as set forth below. All replaced parts and Products become the property of Polk Audio. Products replaced or repaired under this warranty will be returned to you, within a reasonable time, freight prepaid.

This warranty does not include service or parts to repair damage caused by accident, disaster, misuse, abuse, negligence, inadequate packing or shipping procedures, commercial use, voltage inputs in excess of the rated maximum of the unit, cosmetic appearance of cabinetry not directly attributable to defect in materials or workmanship, or service, repair, or modification of the Product which has not been authorized or approved by Polk Audio. This warranty shall terminate if the Serial number on the Product has been removed, tampered with or defaced.

This warranty is in lieu of all other expressed Warranties. If this Product is defective in materials or workmanship as warranted above, your sole remedy shall be repair or replacement as provided above. In no event will Polk Audio, Inc. be liable to you for any incidental or consequential damages arising out of the use or inability to use the Product, even if Polk Audio, Inc. or a Polk Audio Authorized Dealer has been advised of the possibility of such damages, or for any claim by any other party. Some states do not allow the exclusion or limitation of consequential damages, so the above limitation and exclusion may not apply to you.

All implied warranties on this Product are limited to the duration of this expressed Warranty. Some states do not allow limitation on how long an implied Warranty lasts, so the above limitations may not apply to you. This Warranty gives you specific legal rights, and you also may have other rights which vary from state to state.

This Warranty applies only to Products purchased in the United States of America, its possessions, and U.S. and NATO armed forces exchanges and audio clubs. The Warranty terms and conditions applicable to Products purchased in other countries are available from the Polk Audio Authorized Distributors in such countries.

polkaudio
the speaker specialists®



Polk Audio
5601 Metro Drive
Baltimore, Maryland 21215
(800) 377-7655

Free Manuals Download Website

<http://myh66.com>

<http://usermanuals.us>

<http://www.somanuals.com>

<http://www.4manuals.cc>

<http://www.manual-lib.com>

<http://www.404manual.com>

<http://www.luxmanual.com>

<http://aubethermostatmanual.com>

Golf course search by state

<http://golfingnear.com>

Email search by domain

<http://emailbydomain.com>

Auto manuals search

<http://auto.somanuals.com>

TV manuals search

<http://tv.somanuals.com>