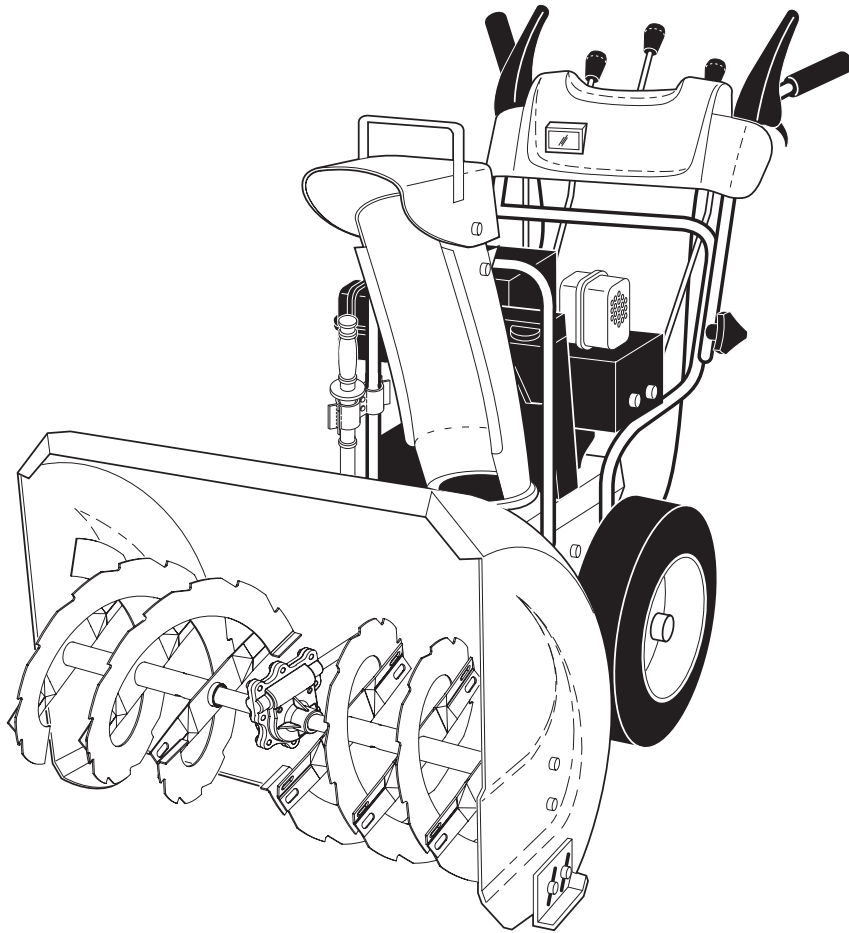


# Poulan



## OWNER'S MANUAL

MODEL NUMBER:  
**96194000602**  
SNOW THROWER

**⚠ WARNING:**  
Read the Owner's Manual and follow all Warnings and Safety Instructions. Failure to do so can result in serious injury.

*Always Wear Eye Protection During Operation*

418984 12.14.07 TH  
Printed in U.S.A.

## IMPORTANT

### Safe Operation Practices for Walk-Behind Snow Throwers

This snow thrower is capable of amputating hands and feet and throwing objects. Failure to observe the following safety instructions could result in serious injury.



Look for this symbol to point out important safety precautions. It means **CAUTION!!! BECOME ALERT!!! YOUR SAFETY IS INVOLVED.**



**WARNING:** Always disconnect spark plug wire and place it where it cannot contact plug in order to prevent accidental starting when setting up, transporting, adjusting or making repairs.



**WARNING:** This snow thrower is for use on sidewalks, driveways and other ground level surfaces. Caution should be exercised while using on sloping surfaces. Do not use snow thrower on surfaces above ground level such as roofs of residences, garages, porches or other such structures or buildings.



**WARNING:** Snow throwers have exposed rotating parts, which can cause severe injury from contact, or from material thrown from the discharge chute. Keep the area of operation clear of all persons, small children and pets at all times including startup.



**CAUTION:** Muffler and other engine parts become extremely hot during operation and remain hot after engine has stopped. To avoid severe burns on contact, stay away from these areas.



**WARNING:** Engine exhaust, some of its constituents, and certain vehicle components contain or emit chemicals known to the State of California to cause cancer and birth defects or other reproductive harm.

### Training

1. Read, understand and follow all instructions on the machine and in the manual(s) before operating this unit. Be thoroughly familiar with the controls and the proper use of the equipment. Know how to stop the unit and disengage the controls quickly.
2. Never allow children to operate the equipment. Never allow adults to operate the equipment without proper instruction.
3. Keep the area of operation clear of all persons, particularly small children.
4. Exercise caution to avoid slipping or falling, especially when operating the snow thrower in reverse.

### Preparation

1. Thoroughly inspect the area where the equipment is to be used and remove all doormats, sleds, boards, wires, and other foreign objects.
2. Disengage all clutches and shift into neutral before starting the engine (motor).
3. Do not operate the equipment without wearing adequate winter garments. Avoid loose fitting clothing that can get caught in moving parts. Wear footwear that will improve footing on slippery surfaces.
4. Handle fuel with care; it is highly flammable
  - (a) Use an approved fuel container.
  - (b) Never add fuel to a running engine or hot engine.
  - (c) Fill fuel tank outdoors with extreme care. Never fill fuel tank indoors.
  - (d) Never fill containers inside a vehicle or on a truck or trailer bed with a plastic liner. Always place containers on the ground, away from your vehicle, before filling.
  - (e) When practical, remove gas-powered equipment from the truck or trailer and refuel it on the ground. If this is not possible, then refuel such equipment on a trailer with a portable container, rather than from a gasoline dispenser nozzle.

- (f) Keep the nozzle in contact with the rim of the fuel tank or container opening at all times, until refueling is complete. Do not use a nozzle lock-open device.
  - (g) Replace gasoline cap securely and wipe up spilled fuel.
  - (h) If fuel is spilled on clothing, change clothing immediately.
5. Use extension cords and receptacles as specified by the manufacturer for all units with electric drive motors or electric starting motors.
  6. Adjust the collector housing height to clear gravel or crushed rock surface.
  7. Never attempt to make any adjustments while the engine (motor) is running (except when specifically recommended by manufacturer).
  8. Always wear safety glasses or eye shields during operation or while performing an adjustment or repair to protect eyes from foreign objects that may be thrown from the machine.

### Operation

1. Do not put hands or feet near or under rotating parts. Keep clear of the discharge opening at all times.
2. Exercise extreme caution when operating on or crossing gravel drives, walks, or roads. Stay alert for hidden hazards or traffic.
3. After striking a foreign object, stop the engine (motor), remove the wire from the spark plug, disconnect the cord on electric motors, thoroughly inspect the snow thrower for any damage, and repair the damage before restarting and operating the snow thrower.
4. If the unit should start to vibrate abnormally, stop the engine (motor) and check immediately for the cause. Vibration is generally a warning of trouble.
5. Stop the engine (motor) whenever you leave the operating position, before unclogging the collector/impeller housing or discharge chute, and when making any repairs, adjustments or inspections.

6. When cleaning, repairing or inspecting the snow thrower, stop the engine and make certain the collector/impeller and all moving parts have stopped. Disconnect the spark plug wire and keep the wire away from the plug to prevent someone from accidentally starting the engine.
7. Do not run the engine indoors, except when starting the engine and for transporting the snow thrower in or out of the building. Open the outside doors; exhaust fumes are dangerous.
8. Exercise extreme caution when operating on slopes.
9. Never operate the snow thrower without proper guards, and other safety protective devices in place and working.
10. Never direct the discharge toward people or areas where property damage can occur. Keep children and others away.
11. Do not overload the machine capacity by attempting to clear snow at too fast a rate.
12. Never operate the machine at high transport speeds on slippery surfaces. Look behind and use care when operating in reverse.
13. Disengage power to the collector/impeller when snow thrower is transported or not in use.
14. Use only attachments and accessories approved by the manufacturer of the snow thrower (such as wheel weights, counterweights, or cabs).
15. Never operate the snow thrower without good visibility or light. Always be sure of your footing, and keep a firm hold on the handles. Walk; never run.

16. Never touch a hot engine or muffler.

### Clearing a Clogged Discharge Chute

Hand contact with the rotating impeller inside the discharge chute is the most common cause of injury associated with snow throwers. Never use your hand to clean out the discharge chute. To clear the chute:

1. SHUT THE ENGINE OFF!
2. Wait 10 seconds to be sure the impeller blades have stopped rotating.
3. Always use a clean-out tool, not your hands.

### Maintenance and Storage

1. Check shear bolts and other bolts at frequent intervals for proper tightness to be sure the equipment is in safe working condition.
2. Never store the machine with fuel in the fuel tank inside a building where ignition sources are present such as hot water heaters, space heaters, or clothes dryers. Allow the engine to cool before storing in any enclosure.
3. Always refer to operator's manual for important details if the snow thrower is to be stored for an extended period.
4. Maintain or replace safety and instruction labels, as necessary.
5. Run the machine a few minutes after throwing snow to prevent freeze-up of the collector/impeller.

**CONGRATULATIONS** on your purchase of a new snow thrower. It has been designed, engineered and manufactured to give best possible dependability and performance.

Should you experience any problem you cannot easily remedy, please contact your nearest authorized service center. We have competent, well-trained technicians and the proper tools to service or repair this unit.

Please read and retain this manual. The instructions will enable you to assemble and maintain your snow thrower properly. Always observe the "SAFETY RULES".

SERIAL NUMBER: \_\_\_\_\_

DATE OF PURCHASE: \_\_\_\_\_

THE MODEL AND SERIAL NUMBERS WILL BE FOUND ON A DECAL ATTACHED TO THE REAR OF THE SNOW THROWER HOUSING.

YOU SHOULD RECORD BOTH SERIAL NUMBER AND DATE OF PURCHASE AND KEEP IN A SAFE PLACE FOR FUTURE REFERENCE.

### PRODUCT SPECIFICATIONS

<b>Gasoline Capacity and Type:</b>	4.0 Quarts (4,54 Liters) Unleaded Regular only
<b>Oil Type (API SG-SL):</b>	SAE 30 (above 40°F) SAE 5W-30 or 10W-30 (0° to +40°F) SAE 0W-30 (below 0°F)
<b>Oil Capacity:</b>	26 Ounces (0,74 Liters)
<b>Spark Plug:</b>	Champion RJ19LM
<b>Gap:</b>	0.030" (0,762 mm)

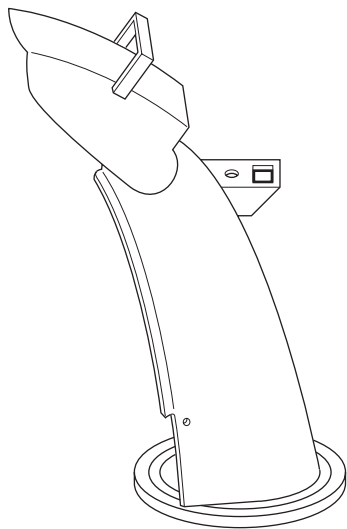
### CUSTOMER RESPONSIBILITIES

- Read and observe the safety rules.
- Follow a regular schedule in maintaining, caring for and using your snow thrower.
- Follow the instructions under "Maintenance" and "Storage" sections of this owner's manual.

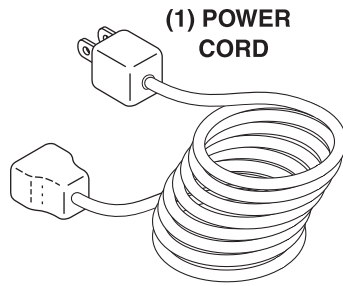
## TABLE OF CONTENTS

<b>SAFETY RULES</b> .....	<b>2-3</b>	<b>MAINTENANCE SCHEDULE</b> .....	<b>14</b>
<b>PRODUCT SPECIFICATIONS</b> .....	<b>3</b>	<b>SERVICE AND ADJUSTMENTS</b> .....	<b>16-18</b>
<b>CUSTOMER RESPONSIBILITIES</b> .....	<b>3</b>	<b>STORAGE</b> .....	<b>18-19</b>
<b>ASSEMBLY / PRE-OPERATION</b> .....	<b>5-7</b>	<b>TROUBLESHOOTING</b> .....	<b>20</b>
<b>OPERATION</b> .....	<b>8-13</b>	<b>REPAIR PARTS</b> .....	<b>38-51</b>
<b>MAINTENANCE</b> .....	<b>14-15</b>	<b>WARRANTY</b> .....	<b>52</b>

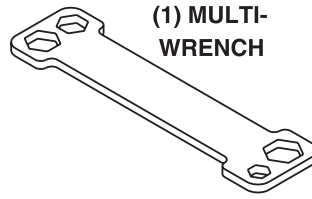
# PARTS PACKED SEPARATELY IN CARTON



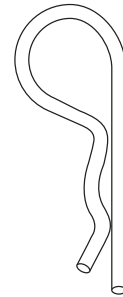
(1) DISCHARGE CHUTE



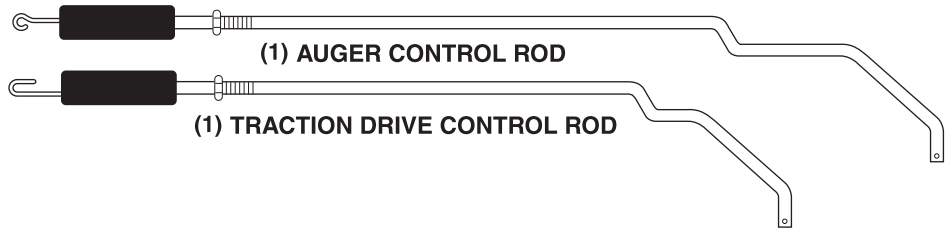
(1) POWER CORD



(1) MULTI-WRENCH



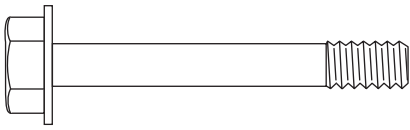
(3) RETAINER SPRINGS



(1) AUGER CONTROL ROD

(1) TRACTION DRIVE CONTROL ROD

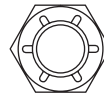
## EXTRA SHEAR BOLTS AND NUTS



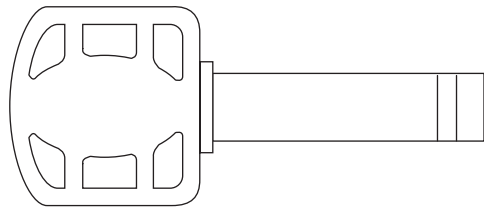
(2) SHEAR BOLTS 1/4-20 x 1-3/4



(2) SPACERS

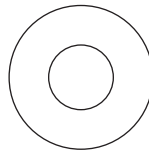


(2) LOCKNUTS  
1/4-20

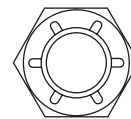


SAFETY IGNITION KEY

## ROTATOR HEAD MOUNTING

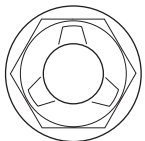


(1) WASHER 3/8

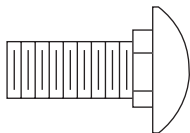


(1) LOCKNUT 3/8

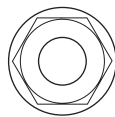
## CHUTE DEFLECTOR REMOTE CONTROL



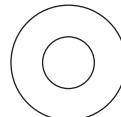
(1) LOCKNUT  
5/16-18



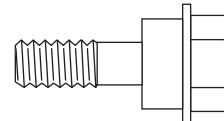
(1) CARRIAGE  
BOLT 5/16-18 x 5/8



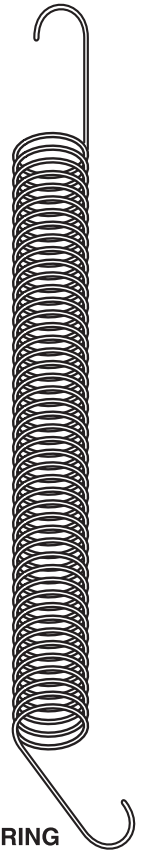
(1) LOCKNUT  
1/4-20



(1) NYLON  
WASHER



(1) SHOULDER  
BOLT 1/4-20



(1) SPRING

# ASSEMBLY / PRE-OPERATION

Read these instructions and this manual in its entirety before you attempt to assemble or operate your new snow thrower. Reading the entire manual will familiarize you with the unit, which will assist you in assembly, operation and maintenance of the product.

Your new snow thrower has been assembled at the factory with the exception of those parts left unassembled for shipping purposes. All parts such as nuts, washers, bolts, etc., necessary to complete the assembly have been placed in the parts bag. To ensure safe and proper operation of your snow thrower, all parts and hardware you assemble must be tightened securely. Use the correct tools as necessary to ensure proper tightness.

## REMOVE SNOW THROWER FROM CARTON

1. Remove all accessible loose parts and parts boxes from carton.
2. Cut down all four corners of carton and lay panels flat.
3. Remove the two (2) screws securing the auger housing to the pallet.
4. Remove all packing materials except plastic tie holding speed control rod to lower handle.
5. Remove the two (2) plastic ties securing the upper handle to the pallet.
6. Remove snow thrower from carton and check carton thoroughly for additional loose parts.

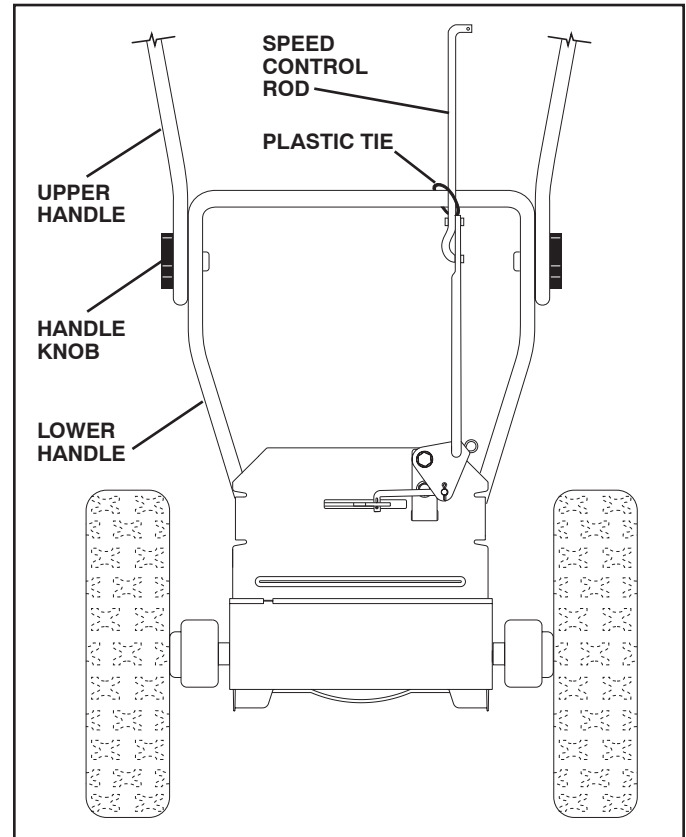


FIG. 1

## HOW TO SET UP YOUR SNOW THROWER

### TOOL BOX (See Fig. 10)

A toolbox is provided on your snow thrower. The toolbox is located on top of the belt cover. Store the extra shear bolts, nuts and multi-wrench provided in parts bag in the toolbox.

**NOTE:** The multi-wrench may be used for assembly of the chute rotator head to snow thrower and making adjustments to the skid plates.

### UNFOLD UPPER HANDLE

1. Raise upper handle to the operating position and tighten handle knobs securely.

### INSTALL SPEED CONTROL ROD (See Figs. 1 and 2)

1. Remove plastic tie securing rod to lower handle.
2. Insert rod into speed control bracket and secure with retainer spring.

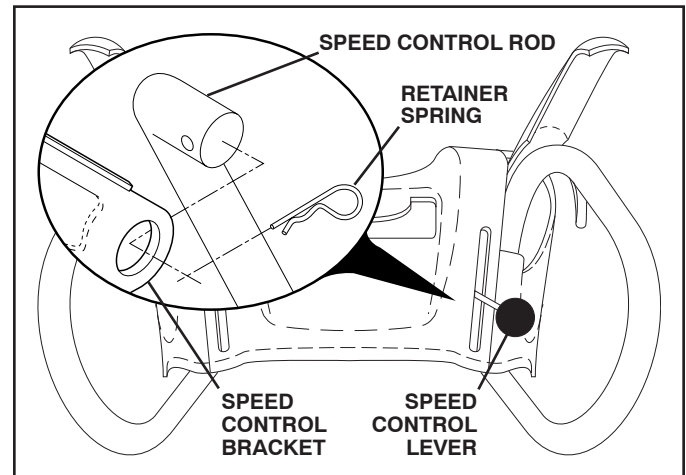


FIG. 2



# ASSEMBLY / PRE-OPERATION

## INSTALL TRACTION DRIVE CONTROL ROD (See Figs. 3 and 4)

The traction drive control rod has the long loop on the end of the spring as shown.

1. Slide rubber sleeve up rod and hook end of spring into pivot bracket with loop opening down as shown.
2. With top end of rod positioned under left side of control panel, push rod down and insert top end of rod into hole in drive control bracket. Secure with retainer spring.

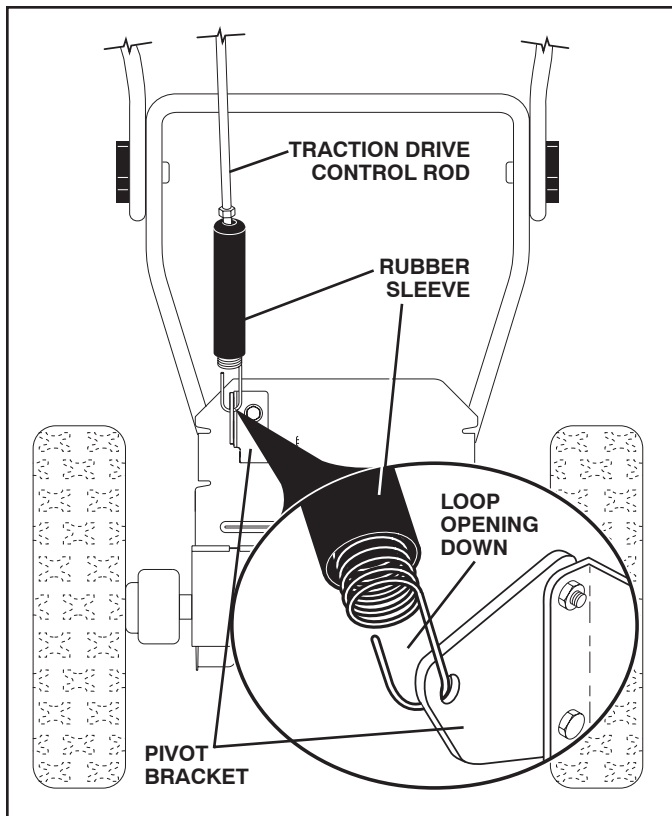


FIG. 3

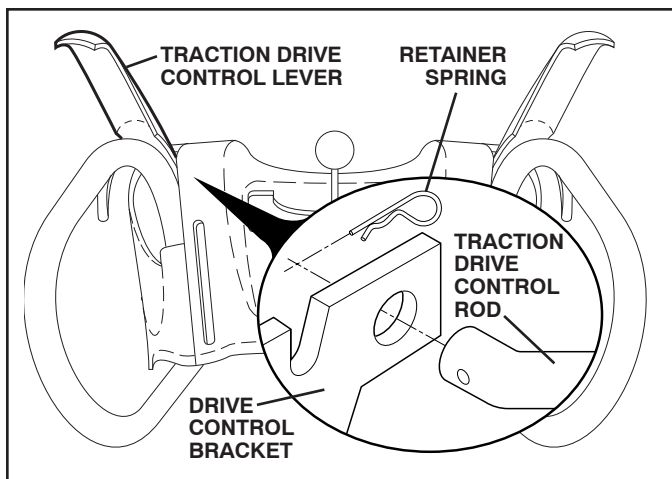


FIG. 4

## INSTALL AUGER CONTROL ROD (See Figs. 5 and 6)

The auger control rod has the short loop on the end of the spring as shown.

1. Slide rubber sleeve up rod and hook end of spring into control arm with loop opening up as shown.
2. With top end of rod positioned under right side of control panel, push rod down and insert end of rod into hole in auger control bracket. Secure with retainer spring.

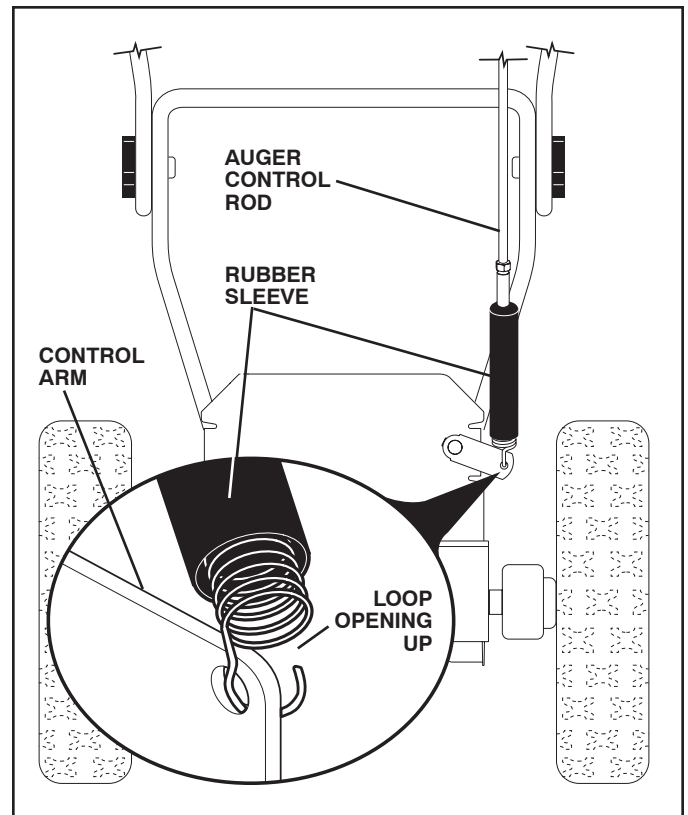


FIG. 5

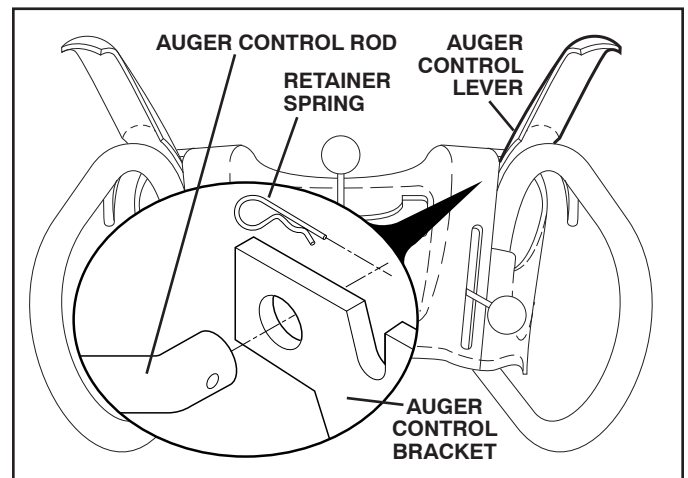


FIG. 6

# ASSEMBLY / PRE-OPERATION

## INSTALL DISCHARGE CHUTE / CHUTE ROTATOR HEAD (See Fig. 7)

**NOTE:** The multi-wrench provided in your parts bag may be used to install the chute rotator head.

1. Place discharge chute assembly on top of chute base with discharge opening toward front of snow thrower.
2. Position chute rotator head over chute bracket. If necessary, rotate chute assembly to align square and pin on underside of chute rotator head with holes in chute bracket.
3. With chute rotator head and chute bracket aligned, position chute rotator head on pin and threaded stud of mounting bracket.
4. Install 3/8 washer and locknut on threaded stud and tighten securely.

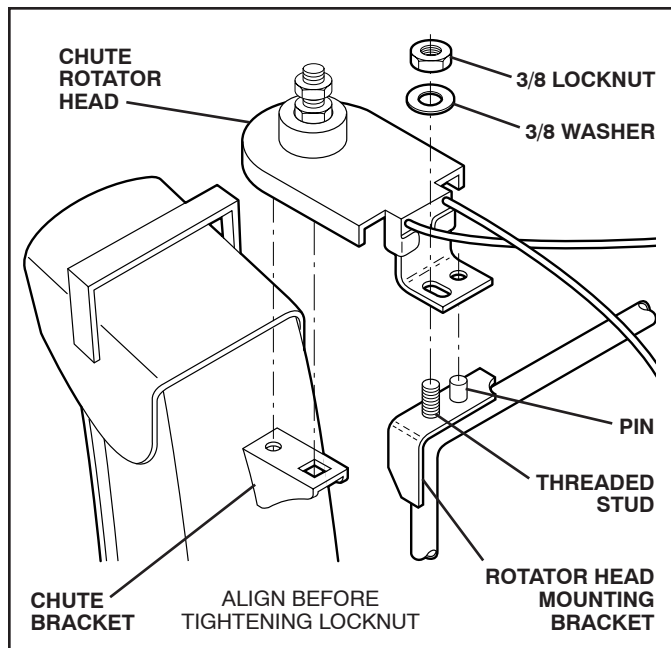


FIG. 7

## INSTALL CHUTE DEFLECTOR REMOTE CONTROL (See Figs. 8 and 9)

1. Install remote cable bracket to discharge chute with 5/16-18 carriage bolt and 5/16-18 locknut as shown. Tighten securely.
2. Install remote cable eyelet to chute deflector with 1/4-20 shoulder bolt, nylon washer and 1/4-20 locknut as shown. Tighten securely.
3. Install spring hooks between hex nuts on chute rotator head and into hole in chute deflector as shown.

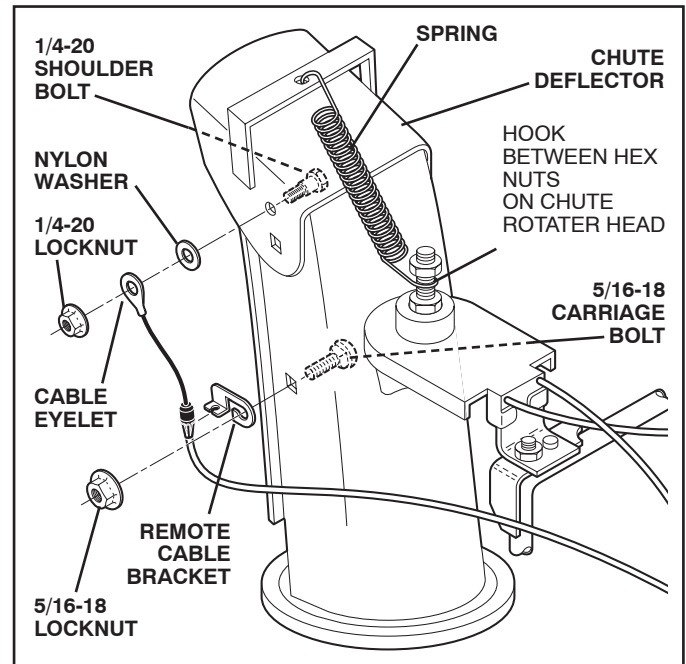


FIG. 8

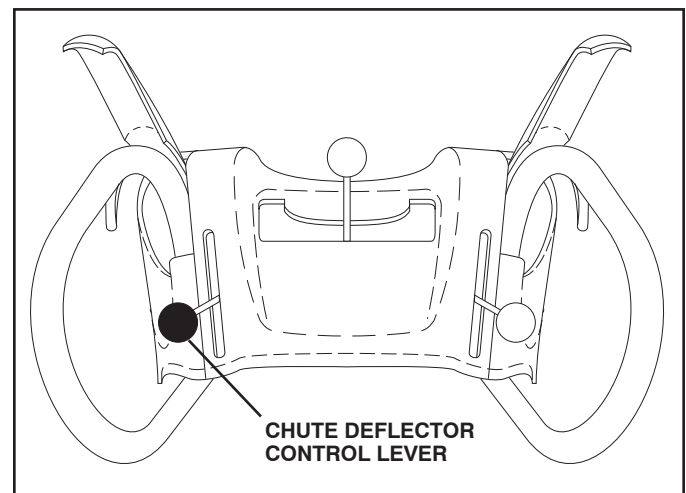


FIG. 9

## CHECK TIRE PRESSURE

The tires on your snow thrower were overinflated at the factory for shipping purposes. Correct and equal tire pressure is important for best snow throwing performance.

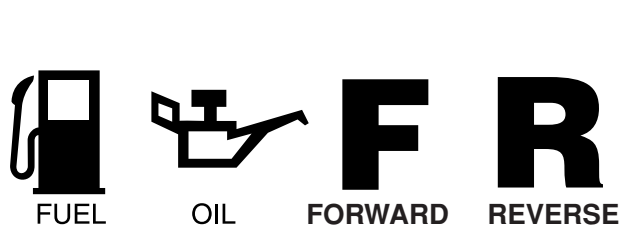
- Reduce tire pressure to 14-17 PSI (19-24.5 N-m).

# OPERATION

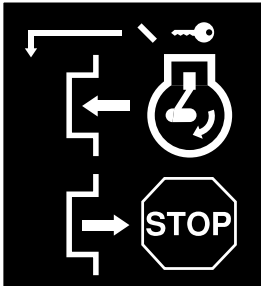
## KNOW YOUR SNOW THROWER

READ THIS OWNER'S MANUAL AND ALL SAFETY RULES BEFORE OPERATING YOUR SNOW THROWER. Compare the illustrations with your snow thrower to familiarize yourself with the location of various controls and adjustments. Save this manual for future reference.

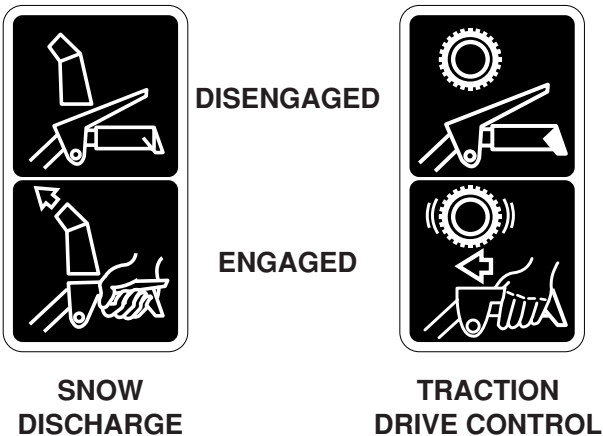
These symbols may appear on your snow thrower or in literature supplied with the product. Learn and understand their meaning.



  
**READ AND FOLLOW ALL SAFETY INFORMATION AND INSTRUCTIONS BEFORE USE OF THIS PRODUCT. KEEP THESE INSTRUCTIONS FOR FUTURE REFERENCE.**



**IGNITION KEY. INSERT TO START AND RUN, PULL OUT TO STOP.**





# OPERATION

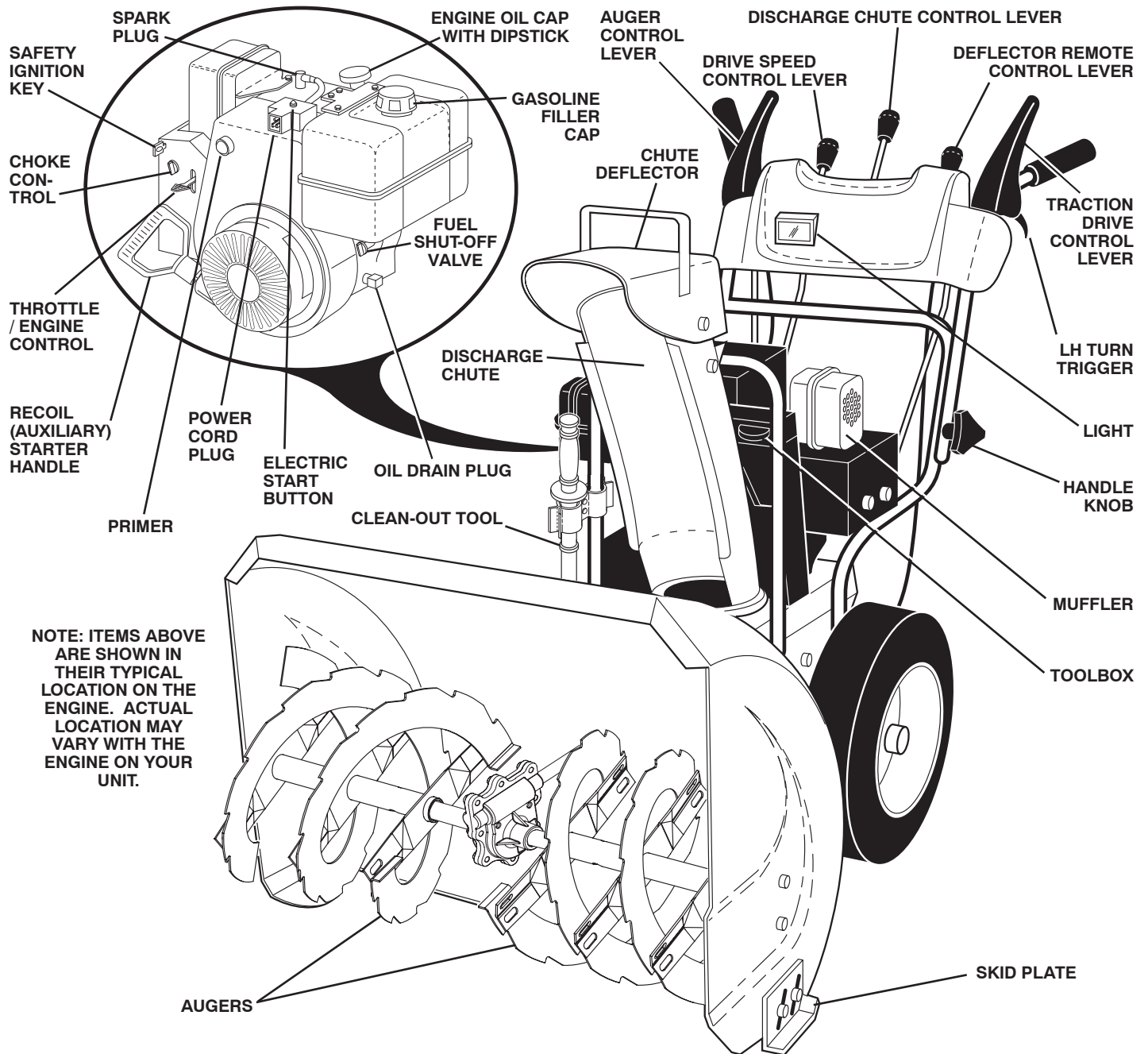


FIG.10

## MEETS A.N.S.I. SAFETY REQUIREMENTS

Our snow throwers conform to the standards of the American National Standards Institute.

**Toolbox** - to store spare shear bolts, locknuts and wrench.

**Safety ignition key** - must be inserted for the engine to start and run. Remove when snow thrower is not in use.

**Electric start button** - used for starting the engine.

**Recoil (auxiliary) starter handle** - used for starting engine.

**Primer** - pumps additional fuel from the carburetor to the cylinder for use when starting a cold engine.

**LH and RH turn triggers** - used to steer the snow thrower.

**Choke control** - used for starting a cold engine.

**Throttle/engine control** - used to select either FAST or SLOW engine speed and to STOP the engine.

**Traction drive control lever** - used to engage power-propelled forward or reverse motion of snow thrower.

**Auger control lever** - used to engage auger motion (throw snow).

**Discharge chute control lever** - used to change the direction the snow is thrown.

**Skid plate** - used to adjust height of scraper bar from the ground.

# OPERATION



The operation of any snow thrower can result in foreign objects thrown into the eyes, which can result in severe eye damage. Always wear safety glasses or eye shields while operating your snow thrower or performing any adjustments or repairs. We recommend standard safety glasses or a wide vision safety mask worn over spectacles.

## HOW TO USE YOUR SNOW THROWER

**Know how** to operate all controls before adding fuel or attempting to start the engine.

### STOPPING

#### TRACTION DRIVE

- Release traction drive control lever to stop the forward or reverse movement of the snow thrower.

#### AUGER

- Release the auger control lever to stop throwing snow.

#### ENGINE

1. Move throttle control to "STOP" position.
2. Remove (do not turn) safety ignition key to prevent unauthorized use.

**NOTE:** Never use choke to stop engine.

### TO USE FUEL SHUT-OFF VALVE (See Fig. 11)

The fuel shut-off valve is located beneath the fuel tank on the engine. Always operate the snow thrower with the fuel shut-off valve in the OPEN position.

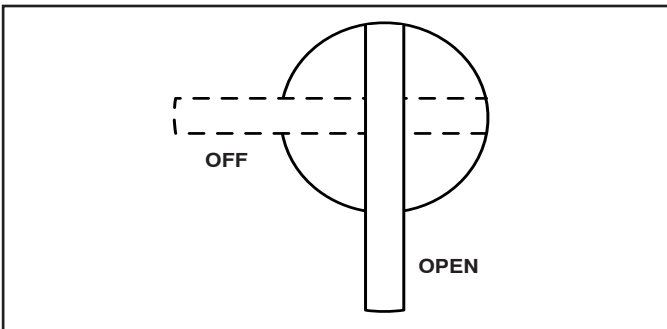


FIG. 11

### TO USE THROTTLE CONTROL (See Fig. 12)

The throttle control is located on the engine. Always operate the snow thrower with the engine at full throttle. Full throttle offers the best snow thrower performance.

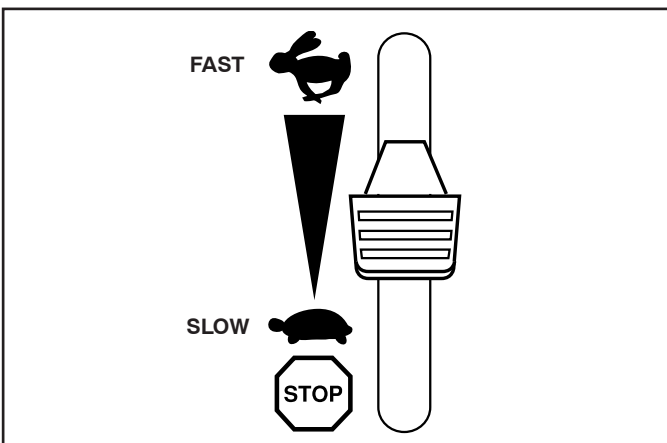


FIG. 12

### TO USE CHOKE CONTROL (See Fig. 13)

The choke control is located on the engine. Use the choke control whenever you are starting a cold engine. Do not use to start a warm engine.

- To engage choke, turn knob clockwise. Slowly turn knob counterclockwise to disengage.

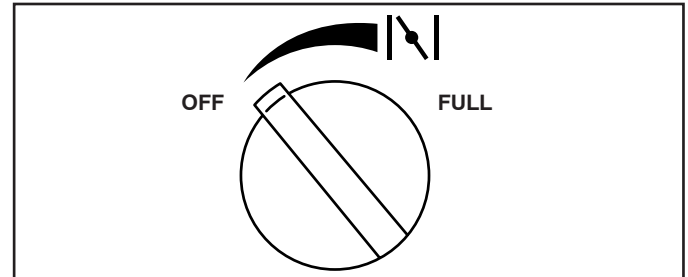


FIG. 13

### TO CONTROL SNOW DISCHARGE (See Fig. 14)



**WARNING:** Snow throwers have exposed rotating parts, which can cause severe injury from contact, or from material thrown from the discharge chute. Keep the area of operation clear of all persons, small children and pets at all times including startup.



**WARNING:** If the discharge chute or auger become clogged, shut-off engine and wait for all moving parts to stop. Use the clean-out tool, NOT YOUR HANDS, to unclog the chute and/or auger.

The **DIRECTION** in which snow is to be thrown is controlled by the discharge chute control lever.

- To change the discharge chute position, press downward on discharge chute control lever and move lever left or right until chute is in desired position. Be sure lever springs back and locks into desired position.

The **DISTANCE** that snow is thrown is controlled by the position of the chute deflector. Set the deflector low to throw snow a short distance; set the deflector higher to throw snow farther.

- Press downward on chute deflector control lever and move lever forward to lower the deflector and decrease the distance. Move lever back to raise the deflector and increase the distance. Be sure lever springs back and locks into desired position.

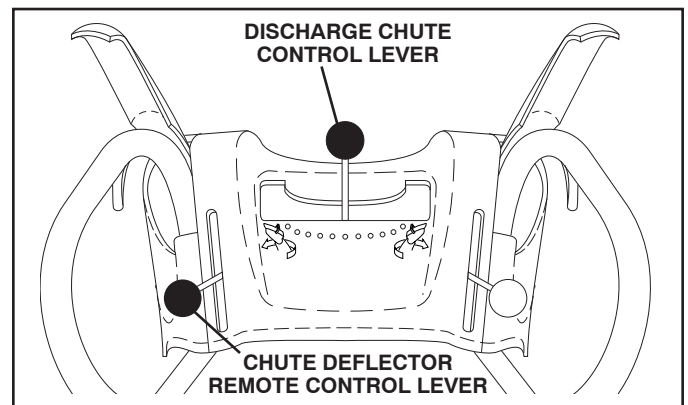


FIG. 14

# OPERATION

## TO THROW SNOW (See Fig. 15)

The auger rotation is controlled by the auger control lever located on the right side handle.

- Squeeze auger control lever to handle to engage the auger and throw snow.
- Release the auger control lever to stop throwing snow.

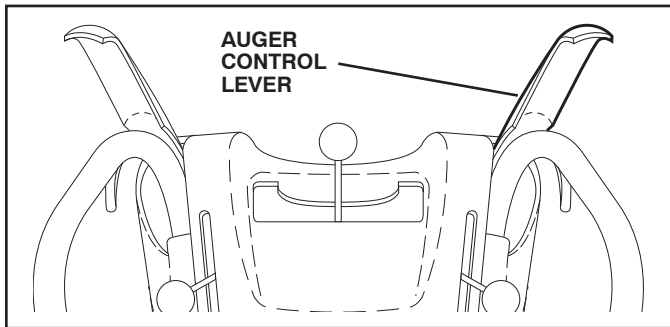


FIG. 15

## USING THE CLEAN-OUT TOOL (See Fig. 16)

In certain snow conditions, the discharge chute may become clogged with ice and snow. Use the clean-out tool to dislodge this blockage.

**When cleaning, repairing, or inspecting, make certain all controls are disengaged and the auger/impeller and all moving parts have stopped. Disconnect the spark plug wire and keep the wire away from the spark plug to prevent accidental starting.**

- Release the auger control lever and shut off the engine.
- Remove the clean-out tool from its mounting clip. Grasp the tool firmly by the handle and push and twist the tool into the discharge chute to dislodge the blockage.

After the packed snow has been dislodged, return the clean-out tool to its mounting clip by pushing it into the clip.

- Make sure the discharge chute is pointed in a safe direction (no vehicles, buildings, people, or other objects are in the direction of discharge) before restarting the engine.
- Restart the engine, then squeeze the auger control lever to the handle to clear snow from the auger housing and the discharge chute.

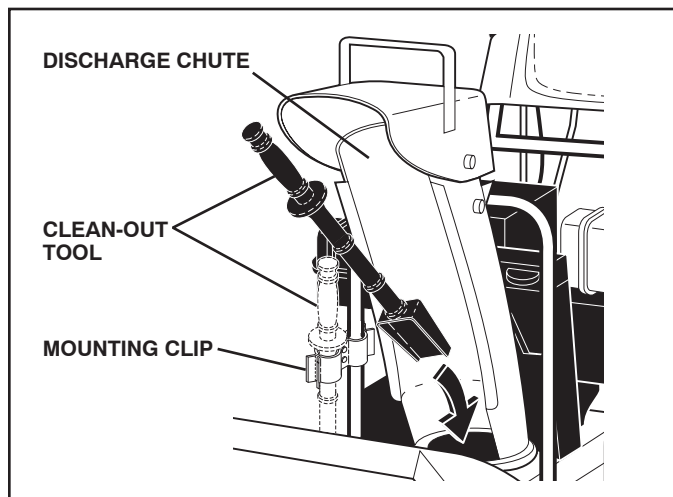


FIG. 16

## TO MOVE FORWARD AND BACKWARD (See Fig. 17)

SELF-PROPELLING, forward and reverse movement of the snow thrower, is controlled by the traction drive control lever located on the left side handle.

- Squeeze traction drive control lever to handle to engage the drive system.
- Release traction drive control lever to stop the forward or reverse movement of the snow thrower.

SPEED and DIRECTION are controlled by the drive speed control lever.

- Press downward on the speed control lever and move lever to desired position BEFORE engaging the traction drive control lever. Be sure lever springs back and locks into desired position.

**CAUTION: Do not move speed control lever when traction drive control lever is engaged. Damage to the snow thrower can result.**

- Slower speeds are for heavier snow and faster speeds are for light snow and transporting the snow thrower. It is recommended that you use a slower speed until you are familiar with the operation of the snow thrower.

**NOTE:** When both traction drive and auger control levers are engaged, the traction drive control lever will lock the auger control lever in the engaged position. This will allow you to release your right hand from the handle and adjust the discharge chute direction without interrupting the snow throwing process.

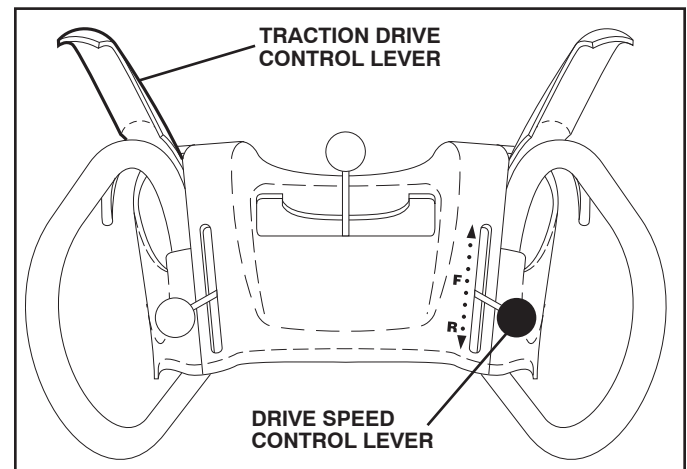


FIG. 17

## POWER STEERING OPERATION (See Fig. 18)

Steering triggers are used to assist in steering your snow thrower. The triggers are located on the underside of each handle. When a trigger is squeezed, it disengages the drive wheel on that side of snow thrower and allows it to turn in that direction.

- To turn left – squeeze left side trigger.
- To turn right – squeeze right side trigger.

# OPERATION

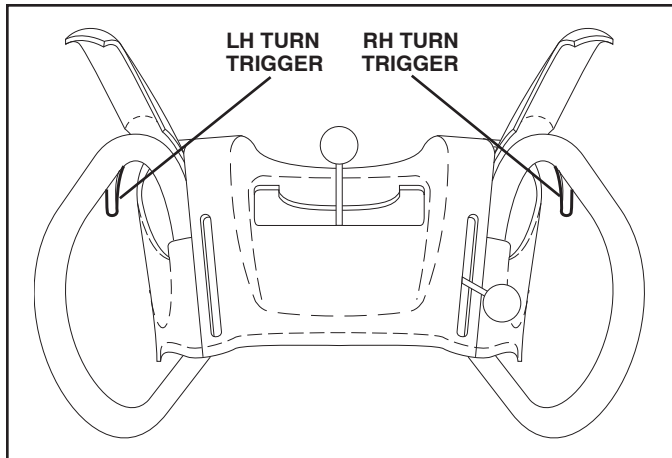


FIG. 18

## TO ADJUST SKID PLATES (See Fig. 19)

**NOTE:** The wrench provided in your parts bag may be used to adjust the skid plates.

Skid plates are located on each side of the auger housing and adjust the clearance between the scraper bar and the ground surface. Adjust skid plates evenly to proper height for current surface conditions. For removal of snow in normal conditions, such as a paved driveway or sidewalk, place skid plates in the highest position (lowest scraper clearance) to give a 1/8" clearance between the scraper bar and the ground. Use a middle position if the surface to be cleared is uneven.

**NOTE:** It is not recommended to operate the snow thrower over gravel or rocky surfaces. Objects such as gravel, rocks or other debris, can easily be picked up and thrown by the impeller, which can cause serious personal injury, property damage or damage to the snow thrower.

- If snow thrower must be operated over gravel surface, use extra caution and be sure skid plates are adjusted to lowest (highest scraper clearance) position.
1. Shut off engine and wait for all moving parts to stop.
  2. Adjust skid plates by loosening the hex nuts, then moving skid plate to desired position. Be sure both plates are adjusted evenly. Tighten securely.

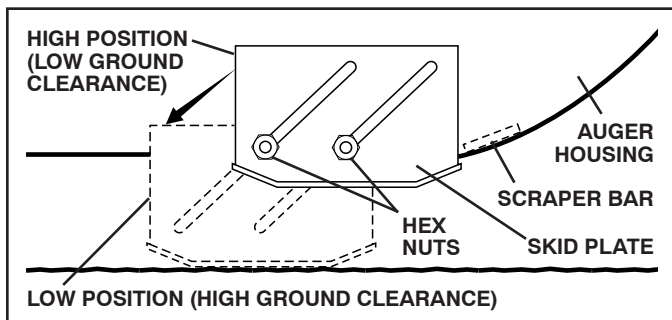


FIG. 19

## SCRAPER BAR (See Fig. 19)

The scraper bar is not adjustable, but is reversible. After considerable use it may become worn. When it has worn almost to the edge of the housing, it can be reversed, providing additional service before requiring replacement. Replace a damaged or worn scraper bar.

## BEFORE STARTING THE ENGINE

### CHECK ENGINE OIL LEVEL (See Fig. 20)

The engine on your snow thrower has been shipped, from the factory, already filled with oil.

1. Check engine oil with snow thrower on level ground.
  2. Remove oil fill cap/dipstick and wipe clean, reinsert the dipstick and screw tight, wait for a few seconds, remove and read oil level. If necessary, add oil until "FULL" mark on dipstick is reached. Do not overfill.
- To change engine oil, see "TO CHANGE ENGINE OIL" in the Maintenance section of this manual.

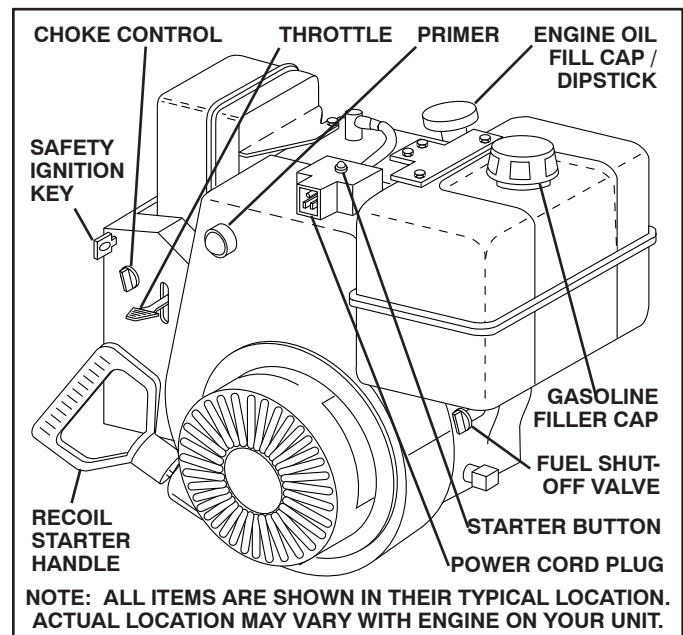
### ADD GASOLINE (See Fig. 20)

- Fill fuel tank to bottom of tank filler neck. Do not overfill. Use fresh, clean, regular unleaded gasoline with a minimum of 87 octane. Do not mix oil with gasoline. Purchase fuel in quantities that can be used within 30 days to assure fuel freshness.



**WARNING:** Wipe off any spilled oil or fuel. Do not store, spill or use gasoline near an open flame.

**CAUTION:** Alcohol blended fuels (called gasohol or using ethanol or methanol) can attract moisture which leads to separation and formation of acids during storage. Acidic gas can damage the fuel system of an engine while in storage. To avoid engine problems, the fuel system should be emptied before storage of 30 days or longer. Drain the gas tank, start the engine and let it run until the fuel lines and carburetor are empty. Use fresh fuel next season. See Storage Instructions for additional information. Never use engine or carburetor cleaner products in the fuel tank or permanent damage may occur.



**NOTE:** ALL ITEMS ARE SHOWN IN THEIR TYPICAL LOCATION. ACTUAL LOCATION MAY VARY WITH ENGINE ON YOUR UNIT.

FIG. 20



# OPERATION

## TO START ENGINE

- Be sure fuel shut-off valve is in the "OPEN" position.

Your snow thrower engine is equipped with both a 120 Volt A.C. electric starter and a recoil starter. The electric starter is equipped with a three-wire power cord and plug and is designed to operate on 120 Volt A.C. household current.

- Be sure your house is a 120 Volt A.C. three-wire grounded system. If you are uncertain, consult a licensed electrician.



**WARNING: Do not use the electric starter if your house is not a 120 Volt A.C. three-wire grounded system. Serious personal injury or damage to your snow thrower could result.**

## COLD START - ELECTRIC STARTER

1. Insert safety ignition key (packed separately in parts bag) into ignition slot until it clicks. **DO NOT** turn the key. Keep the extra safety ignition key in a safe place.
2. Place throttle control in "FAST" position.
3. Rotate choke control to "FULL" position.
4. Connect the power cord to the engine.
5. Plug the other end of the power cord into a three-hole grounded 120 Volt A.C. receptacle.
6. Push the primer three (3) times.
7. Push starter button until engine starts.

**IMPORTANT:** Do not crank engine more than five continuous seconds between each time you try to start. Wait 5 to 10 seconds between each attempt.

8. When the engine starts, release the starter button and slowly move the choke control to the "OFF" position.
9. Disconnect the power cord from the receptacle first, then from the engine.

Allow the engine to warm up for a few minutes. Engine will not develop full power until it has reached normal operating temperature.

## WARM START - ELECTRIC STARTER

Follow the steps above, keeping the choke control in the "OFF" position.

## COLD START - RECOIL STARTER

1. Insert safety ignition key (packed separately in parts bag) into ignition slot until it clicks. **DO NOT** turn the key. Keep the extra safety ignition key in a safe place.
2. Place throttle control in "FAST" position.
3. Rotate choke control to "FULL" position.
4. Push the primer four (4) times if the temperature is below 15°F, or two (2) times if temperature is between 15° and 50°F. If temperature is above 50°F, priming is not necessary.

**NOTE:** Over priming may cause flooding, preventing the engine from starting. If you do flood the engine, wait a few minutes before attempting to start and **DO NOT** push the primer.

5. Pull recoil starter handle quickly. Do not allow starter rope to snap back.

6. When the engine starts, release the recoil starter handle and slowly move the choke control to the "OFF" position.

Allow the engine to warm up for a few minutes. Engine will not develop full power until it has reached normal operating temperature.

## WARM START - RECOIL STARTER

Follow the steps above, keeping the choke in the "OFF" position. **DO NOT** push the primer.

## BEFORE STOPPING

Run the engine for a few minutes to help dry off any moisture on the engine.

## IF RECOIL STARTER HAS FROZEN

If the recoil starter has frozen and will not turn the engine, proceed as follows:

1. Grasp the recoil starter handle and slowly pull as much rope out of the starter as possible.
2. Release the recoil starter handle and let it snap back against the starter.

If the engine still fails to start, repeat the above steps or use the electric starter.

## SNOW THROWING TIPS

- Always operate the snow thrower with the engine at full throttle. Full throttle offers the best performance.
- Go slower in deep, freezing or heavy wet snow. Use the drive speed control, **NOT** the throttle, to adjust speed.
- It is easier and more efficient to remove snow immediately after it falls.
- The best time to remove snow is the early morning. At this time the snow is usually dry and has not been exposed to the direct sun and warming temperatures.
- Slightly overlap each successive path to ensure all snow will be removed.
- Throw snow downwind whenever possible.
- Adjust the skid plates to proper height for current snow conditions. See "TO ADJUST SKID PLATES" in this section of this manual.
- For extremely heavy snow, reduce the width of snow removal by overlapping previous path and moving slowly.
- Keep engine clean and clear of snow during use. This will help air flow and extend engine life.
- After snow-throwing is completed, allow engine to run for a few minutes to melt snow and ice off the engine.
- Clean the entire snow thrower thoroughly after each use and wipe dry so it is ready for next use.



**WARNING: Do not operate snow thrower if weather conditions impair visibility. Throwing snow during a heavy, windy snowstorm can blind you and be hazardous to the safe operation of the snow thrower.**

# MAINTENANCE

<b>MAINTENANCE SCHEDULE</b>		BEFORE EACH USE AFTER EACH USE EVERY 25 HOURS OR EVERY SEASON EVERY 50 HOURS EVERY 100 HOURS BEFORE STORAGE							SERVICE DATES	
FILL IN DATES AS YOU COMPLETE REGULAR SERVICE										
<b>T H R O W E R</b>	Check for Loose Fasteners	✓						✓		
	Clean / Inspect Snow Thrower		✓					✓		
	Check / Replace V-Belts				✓					
	Lubrication Chart			✓				✓		
<b>E N G I N E</b>	Check Engine Oil Level	✓								
	Change Engine Oil			✓						
	Inspect Muffler				✓					
	Check / Replace Spark Plug					✓				
	Empty Fuel Tank							✓		

## GENERAL RECOMMENDATIONS

The warranty on this snow thrower does not cover items that have been subjected to operator abuse or negligence. To receive full value from the warranty, operator must maintain snow thrower as instructed in this manual. Some adjustments will need to be made periodically to properly maintain your snow thrower. All adjustments in the Service and Adjustments section of this manual should be checked at least once each season.

- Once a year, you should replace the spark plug and check belts for wear. A new spark plug will help your engine run better and last longer.
- Follow the maintenance schedule in this manual.

**NOTE:** Use only Original Equipment Manufacturer (OEM) parts to service this unit. Failure to do so can cause the unit to malfunction and pose a risk of injury to the operator.

## BEFORE EACH USE

1. Check engine oil level.
2. Check for loose fasteners.
3. Check controls to be sure they are functioning properly.

## LUBRICATION

Keep your snow thrower well lubricated (See "LUBRICATION CHART").

## SNOW THROWER

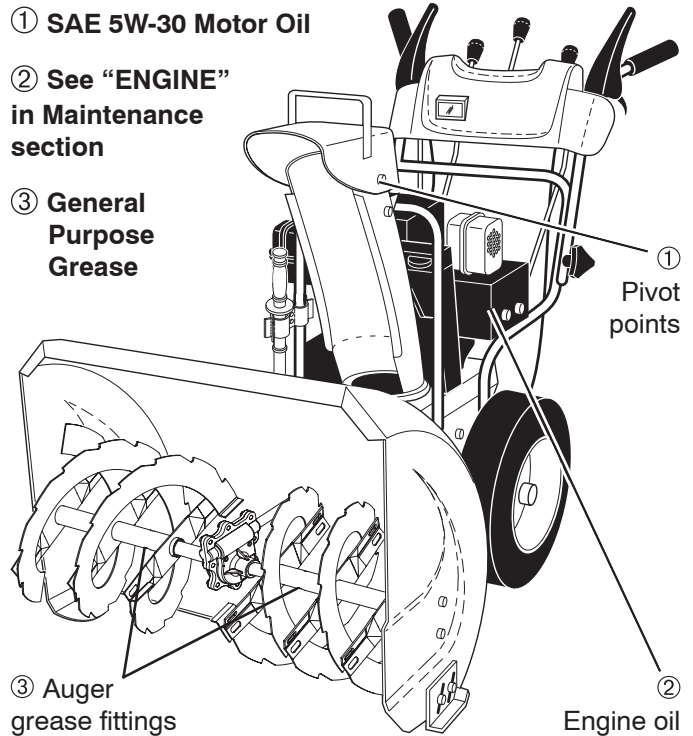
Always observe the safety rules when performing any maintenance.

## TIRES

- Maintain proper air pressure in both tires (14–17 P.S.I. / 19-24.5 N-m).
- Keep tires free of gasoline and oil, which can harm rubber.

**NOTE:** To seal tire punctures and prevent flat tires due to slow leaks, tire sealant may be purchased from your local parts dealer. Tire sealant also prevents tire dry rot and corrosion.

## LUBRICATION CHART



## V-BELTS

Check V-belts for deterioration and wear after every 50 hours of operation and replace if necessary. The belts are not adjustable. Replace belts if they begin to slip from wear. (See "TO REMOVE BELT COVER" in the Service and Adjustments section of this manual).

The V-belts on your snow thrower are of special construction and should be replaced by original equipment manufacturer (OEM) belts available from your nearest dealer. Using other than OEM belts can cause personal injury or damage to the snow thrower.



# MAINTENANCE

## AUGER GEAR CASE

- The gear case was filled with lubricant to the proper level at the factory. The only time the lubricant needs attention is if service has been performed on the gear case.
- If lubricant is required, use only Ronex ED #1 grease.

## TRACTION DRIVE SYSTEM

DO NOT lubricate the drive components inside the snow thrower. The sprockets, hex shafts, drive disc and friction wheel require no lubrication. The bearings and bushings are lifetime lubricated and require no maintenance.

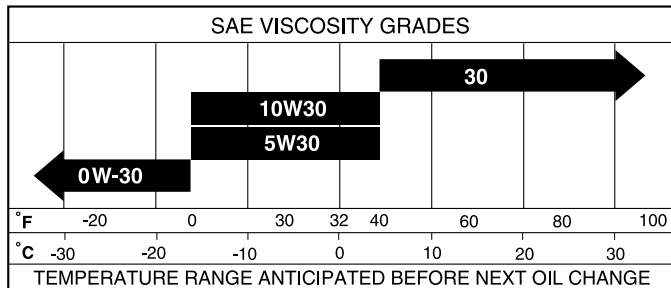
**CAUTION: Any lubricating of the above components can cause contamination of the friction wheel and damage to the drive system of your snow thrower.**

## ENGINE

See engine manual.

### LUBRICATION

Use only high quality detergent oil rated with API service classification SG–SL. Select the oil's SAE viscosity grade according to your expected operating temperature.



**NOTE:** Although multi-viscosity oils (5W30, 10W30 etc.) improve starting in cold weather, these multi-viscosity oils will result in increased oil consumption when used above 32°F. Check your engine oil level more frequently to avoid possible engine damage from running low on oil.

Change the oil after every 25 hours of operation or at least once a year if the snow thrower is not used for 25 hours in one year.

Check the crankcase oil level before starting the engine and after each five (5) hours of continuous use. Tighten oil fill cap / dipstick securely each time you check the oil level.

### TO CHANGE ENGINE OIL

Determine temperature range anticipated before next oil change. All oil must meet API service classification SG–SL.

- Be sure snow thrower is on level surface.

- Oil will drain more freely when warm.
- Catch oil in a suitable container.

**NOTE:** The left side wheel may be removed from snow thrower for easier access to the oil drain plug and placement of a suitable container. The unit tilted, resting on the frame with the left wheel removed, will help drain any oil trapped inside the engine. (See “TO REMOVE WHEELS” in the Service and Adjustments section of this manual).

1. Remove safety ignition key and disconnect spark plug wire from spark plug. Place wire where it cannot come in contact with spark plug.
2. Clean area around drain plug.
3. Remove drain plug and drain oil in a suitable container.
4. Install drain plug and tighten securely.
5. Wipe off any spilled oil from snow thrower and engine.
6. Install left wheel (if removed for draining oil). Be sure to install klick pin into proper hole in wheel axle (See “TO REMOVE WHEELS” in the Service and Adjustments section of this manual).
7. Remove oil fill cap/dipstick. Be careful not to allow dirt to enter the engine.
8. Refill engine with oil through oil dipstick tube. Pour slowly. Do not overfill. For approximate capacity see “PRODUCT SPECIFICATIONS” section of this manual.
9. Use gauge on oil fill cap/dipstick for checking level. Be sure dipstick cap is tightened securely for accurate reading. Keep oil at “FULL” line on dipstick.
10. Wipe off any spilled oil.

## MUFFLER

Inspect and replace corroded muffler as it could create a fire hazard and/or damage.

## SPARK PLUG

Replace spark plug at the beginning of each season or after every 100 hours of operation, whichever occurs first. Spark plug type and gap setting are shown in the “PRODUCT SPECIFICATIONS” section of this manual.

## CLEANING

**IMPORTANT:** For best performance, keep snow thrower housing free of any dirt or trash. Clean the outside of your snow thrower after each use.



**WARNING: Remove safety ignition key and disconnect spark plug wire from spark plug. Place wire where it cannot come in contact with spark plug.**

- Keep finished surfaces/wheels free of gasoline, oil, etc.
- We do not recommend using a garden hose to clean your snow thrower unless the electrical system, muffler and carburetor are covered to keep water out. Water in engine can result in shortened engine life.

# SERVICE AND ADJUSTMENTS

**WARNING:** To avoid serious injury, before performing any service or adjustments:



1. Be sure throttle is in STOP position.
2. Remove safety ignition key.
3. Make sure the augers and all moving parts have completely stopped.
4. Disconnect spark plug wire from spark plug and place wire where it cannot contact plug.

## SNOW THROWER

### TO ADJUST SNOW THROWER HEIGHT

See "TO ADJUST SKID PLATES" and "SCRAPER BAR" in the Operation section of this manual.

### CHUTE DEFLECTOR

The chute deflector, attached to the top of the discharge chute, is provided to direct discharging snow away from the operator. If the deflector becomes damaged, it should be replaced.



**WARNING:** To avoid serious injury, never operate your snow thrower with the deflector removed or damaged.

- To change direction and/or distance snow is discharged, see "TO CONTROL SNOW DISCHARGE" in the Operation section of this manual.

### SHEAR BOLTS (See Fig. 21)

#### AUGER SHEAR BOLTS

Both right and left-hand augers are secured to the auger shaft with a shoulder/shear bolt and hex nut. Should a foreign object or ice become lodged in the augers, the shear bolts are designed to break, preventing damage to any other components. If one or both augers do not turn when auger control lever is engaged, check to see if one or both of the bolts have sheared. To replace the shear bolts:

1. Disengage all controls and move throttle control to STOP position. Wait for all moving parts to stop.
2. Remove safety ignition key and disconnect spark plug wire from spark plug. Place wire where it cannot come in contact with spark plug.
3. Align hole in auger hub with hole in auger shaft and install a new 1/4-20 x 2" shoulder/shear bolt and spacer. Install 1/4-20 lock nut and tighten securely.

**CAUTION:** Do not substitute. Use only original equipment shear bolts as supplied with your snow thrower.

4. Insert safety ignition key and reconnect spark plug wire to spark plug.

#### IMPELLER SHEAR BOLTS

The impeller is secured to the impeller shaft with two (2) capscrew/shear bolts and hex nuts. Should a foreign object or ice become lodged in the impeller, the capscrews are designed to break, preventing damage to any other components. If impeller does not turn when auger control lever is engaged, check to see if the capscrews have sheared. To replace the capscrew/shear bolts:

1. Disengage all controls and move throttle control to STOP position. Wait for all moving parts to stop.
2. Remove safety ignition key and disconnect spark plug wire from spark plug. Place wire where it cannot come in contact with spark plug.

3. Align holes in impeller hub with holes in impeller shaft and install two (2) new 1/4-20 x 1-5/8" capscrew/shear bolts. Install 1/4-20 locknuts and tighten securely.

**CAUTION:** Do not substitute. Use only original equipment capscrew/shear bolts as supplied with your snow thrower.

4. Insert safety ignition key and reconnect spark plug wire to spark plug.

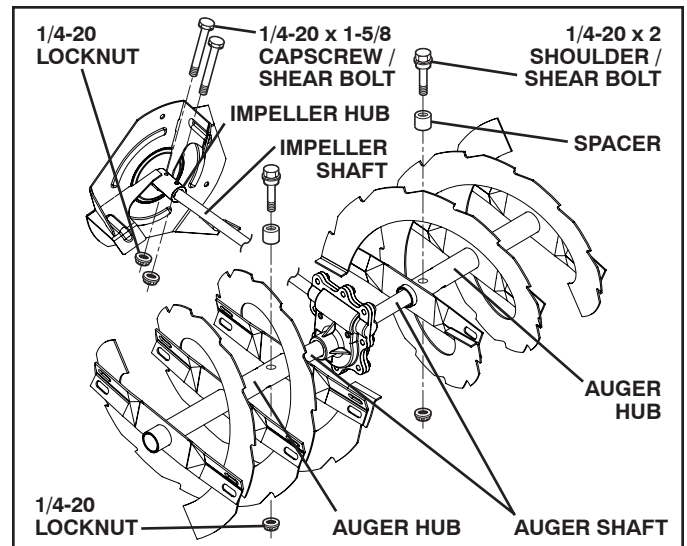


FIG. 21

### TO REMOVE BELT COVER (See Fig. 22)

1. Remove the two screws securing belt cover to frame.
  2. Remove belt cover.
- Replace belt cover by installing cover and screws and tighten securely.

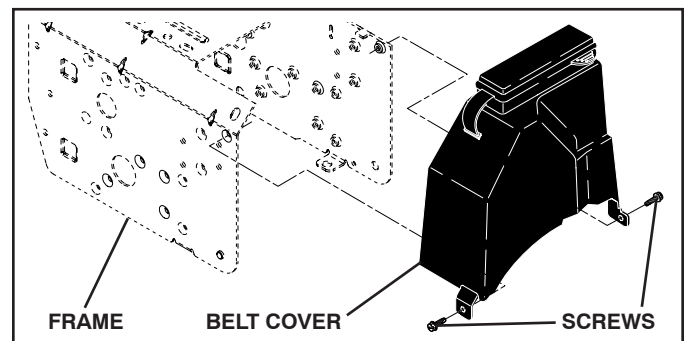


FIG. 22

# SERVICE AND ADJUSTMENTS

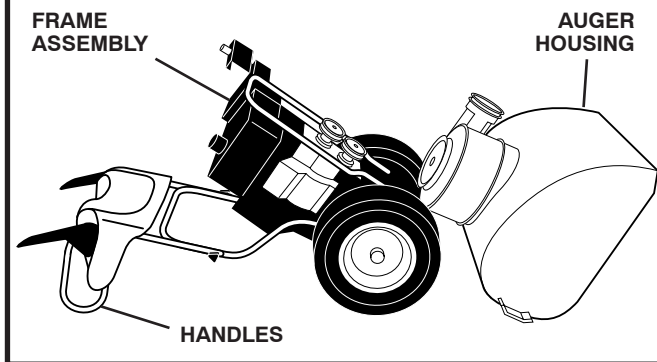
## TO REPLACE BELTS (See Fig. 23)

The auger and traction drive belts are not adjustable. If the belts are damaged or begin to slip from wear, they should be replaced. It is recommended that the belt(s) be replaced by a Sears service centre/department.

**NOTE:** It is recommended that both the auger and traction drive belt be replaced at the same time.

The V-belts on your snow thrower are of special construction and should be replaced by original equipment manufacturer (OEM) belts available from your nearest Sears service centre/department. Using other than OEM belts can cause personal injury or damage to the snow thrower.

**WARNING: Belt replacement requires separation of the snow thrower. While separating the auger housing from the frame assembly, it is important that an assistant stand in the operating position and hold the snow thrower handles. Serious personal injury and/or damage to the unit could occur if the snow thrower should fall during the belt changing process.**



1. REMOVE GASOLINE FROM FUEL TANK - Drain gasoline from fuel tank into a suitable container, outdoors, away from fire or flame. Wipe up any spilled gasoline.
2. REMOVE DISCHARGE CHUTE - Loosen locknut securing chute rotator head to mounting bracket only enough to allow chute rotator head to be raised and discharge chute to be removed from snow thrower.
3. REMOVE BELT COVER - See "TO REMOVE BELT COVER" in this section of this manual.
4. REMOVE ENGINE PULLEY - Remove bolt, lockwasher and flat washer securing pulley to engine crankshaft. Remove outside (auger) pulley only from crankshaft.
5. SEPARATE SNOW THROWER - With your assistant standing in the operating position holding the handles, remove the two (2) bolts holding the auger housing and frame together.

**WARNING: As the last bolt is removed, have your assistant carefully lower the handles down to the ground.**

6. REMOVE HAIRPIN FROM CLUTCH ROD and remove clutch rod from swing plate. Tip swing plate forward.
7. REMOVE AUGER BELT from around pulley.

8. RELIEVE TENSION ON TRACTION DRIVE BELT IDLER and remove traction drive belt from around pulleys.

**HINT:** Insert a 3/8" drive ratchet (in the "ON" position) into the square hole in idler arm and rotate ratchet clockwise to relieve tension.

9. With tension relieved on idler, install new traction drive belt around pulleys and inside belt keepers.
10. Install clutch rod in swing plate; secure with hairpin.
11. Place auger belt around and inside the groove of auger pulley only.
12. While your assistant slowly raises handles to rejoin the auger housing and frame assembly, pull up on the auger belt and squeeze sides together above pulley so belt is fully seated in groove of pulley.
13. Bring snow thrower completely together and check carefully for proper routing of belts. If auger belt has become dislodged from the pulley (by catching the idler arm bracket while bringing snow thrower together), separate the snow thrower and repeat step 12. Belt must be fully seated in pulley groove when bringing the snow thrower together.
14. Install the two (2) hex bolts and tighten securely.
15. INSTALL ENGINE PULLEY - Place belt in pulley groove and slide pulley on crankshaft. Install flat washer, lockwasher and bolt and tighten securely (41-47 N-m torque). Make sure belt is inside belt keeper.
16. INSTALL BELT COVER and two (2) screws. Tighten securely.
17. INSTALL DISCHARGE CHUTE - See "INSTALL DISCHARGE CHUTE / CHUTE ROTATER HEAD" in the Assembly / Pre-Operation section of this manual.

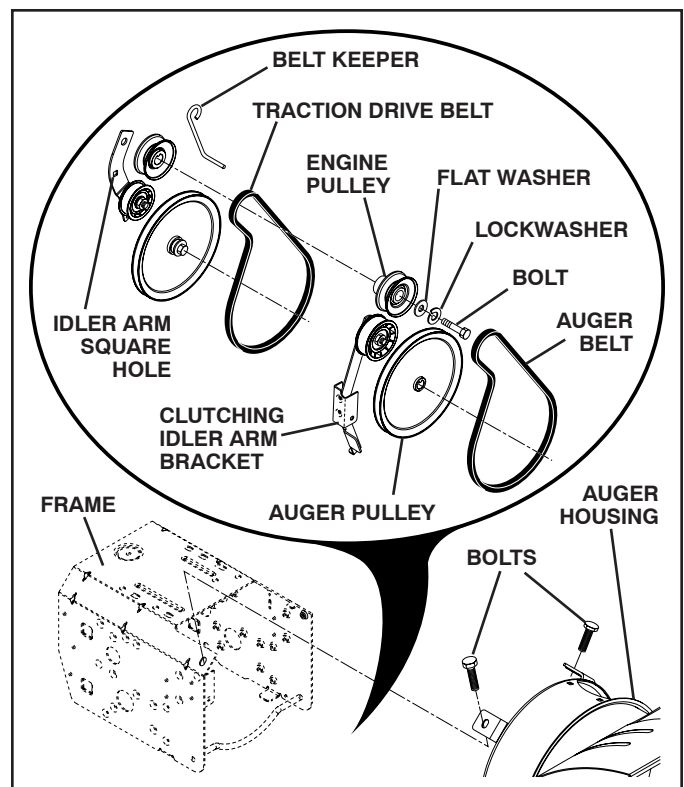


FIG. 23

# SERVICE AND ADJUSTMENTS

## TO REMOVE WHEELS (See Fig. 24)

- Remove the klik pin and remove wheel from axle.

**IMPORTANT:** When installing wheel, be sure to use the innermost hole in axle and the wheel hub hole. To disengage drive system from the wheels (for pushing or transporting the snow thrower), remove klik pin from wheel hub and insert pin into the outermost hole in axle only.

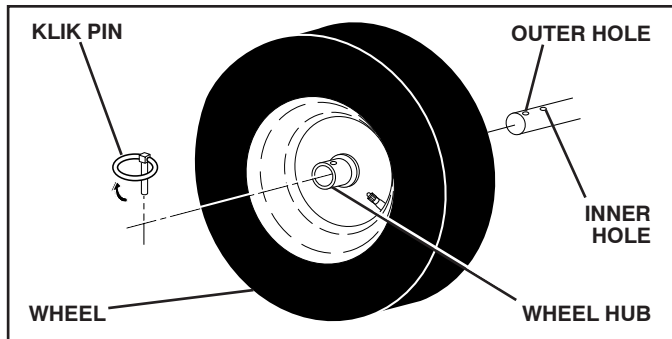


FIG. 24

**NOTE:** To seal punctures or prevent flat tires due to slow leaks, tire sealant may be purchased from your local parts dealer. Tire sealant also prevents tire dry rot and corrosion.

## ENGINE

See engine manual.

## CARBURETOR

Your carburetor is not adjustable. Engine performance should not be affected at altitudes up to 7,000 feet (2,134 meters). If your engine does not operate properly due to suspected carburetor problems, take your snow thrower to a qualified service centre.

## ENGINE SPEED

Never tamper with the engine governor, which is factory set for proper engine speed. Overspeeding the engine above the factory high speed setting can be dangerous and will void the warranty. If you think the engine-governed high speed needs adjusting, contact a qualified service centre, which has proper equipment and experience to make any necessary adjustments.

# STORAGE

Immediately prepare your unit for storage at the end of the season or if the unit will not be used for 30 days or more.



**WARNING:** Never store the snow thrower with gasoline in the tank inside a building where fumes may reach an open flame, spark or pilot light as on a furnace, water heater, clothes dryer or gas appliance. Allow the engine to cool before storing in any enclosure.

## SNOW THROWER

When snow thrower is to be stored for a period of time, clean it thoroughly, remove all dirt, grease, leaves, etc. Store in a clean, dry area.

1. Clean entire snow thrower (See "CLEANING" in the Maintenance section of this manual).
2. Inspect and replace belts, if necessary (See "TO REPLACE BELTS" in the Service and Adjustments section of this manual).
3. Lubricate as shown in the Maintenance section of this manual.
4. Be sure that all nuts, bolts, screws, and pins are securely fastened. Inspect moving parts for damage, breakage and wear. Replace if necessary.
5. Touch up all rusted or chipped paint surfaces; sand lightly before painting.

## ENGINE

See engine manual.

## FUEL SYSTEM

**IMPORTANT:** It is important to prevent gum deposits from forming in essential fuel system parts such as carburetor, fuel hose, or tank during storage. Also, alcohol blended fuels (called gasohol or using ethanol or methanol) can attract moisture which leads to separation and formation of acids during storage. Acidic gas can damage the fuel system of an engine while in storage.

- Empty the fuel tank by starting the engine and letting it run until the fuel lines and carburetor are empty.
- Never use engine or carburetor cleaner products in the fuel tank or permanent damage may occur.
- Use fresh fuel next season.

**NOTE:** Fuel stabilizer is an acceptable alternative in minimizing the formation of fuel gum deposits during storage. Add stabilizer to gasoline in fuel tank or storage container. Always follow the mix ratio found on stabilizer container. Run engine at least 10 minutes after adding stabilizer to allow the stabilizer to reach the carburetor. Do not drain the gas tank and carburetor if using fuel stabilizer.

## ENGINE OIL

Drain oil (with engine warm) and replace with clean engine oil. (See "ENGINE" in the Maintenance section of this manual).

## CYLINDER

1. Remove spark plug.
2. Pour one ounce (29 ml) of oil through spark plug hole into cylinder.
3. Pull recoil starter handle slowly a few times to distribute oil.
4. Replace with new spark plug.



# STORAGE

## OTHER

- Remove safety ignition key; store it in a safe place.
- Remove safety ignition key; store it in a safe place.
- Do not store gasoline from one season to another.
- Replace your gasoline can if your can starts to rust. Rust and/or dirt in your gasoline will cause problems.

- If possible, store your snow thrower indoors and cover it to protect it from dust and dirt.
- Cover your snow thrower with a suitable protective cover that does not retain moisture. Do not use plastic. Plastic cannot breathe, which allows condensation to form and will cause your snow thrower to rust.

**IMPORTANT:** Never cover snow thrower while engine/exhaust area is still warm.

# TROUBLESHOOTING

See appropriate section in manual unless directed to a qualified service centre/department.




PROBLEM	CAUSE	CORRECTION
<b>Does not start</b>	<ol style="list-style-type: none"> <li>1. Fuel shut-off valve (if so equipped) in OFF position.</li> <li>2. Safety ignition switch OUT.</li> <li>3. Out of fuel.</li> <li>4. Throttle in STOP position.</li> <li>5. Choke in OFF position.</li> <li>6. Primer not depressed.</li> <li>7. Engine is flooded.</li> <li>8. Spark plug wire is disconnected.</li> <li>9. Bad spark plug.</li> <li>10. Stale fuel.</li> <li>11. Water in fuel.</li> </ol>	<ol style="list-style-type: none"> <li>1. Turn fuel shut-off valve to OPEN position.</li> <li>2. Push safety ignition switch IN.</li> <li>3. Fill fuel tank with fresh, clean gasoline.</li> <li>4. Move throttle to FAST position.</li> <li>5. Move to FULL position.</li> <li>6. Prime as instructed in the Operation section of this manual.</li> <li>7. Wait a few minutes before restarting, DO NOT prime.</li> <li>8. Connect wire to spark plug.</li> <li>9. Replace spark plug.</li> <li>10. Empty fuel tank &amp; carburetor, refill with fresh, clean gasoline.</li> <li>11. Empty fuel tank &amp; carburetor, refill with fresh, clean gasoline.</li> </ol>
<b>Loss of power</b>	<ol style="list-style-type: none"> <li>1. Spark plug wire loose.</li> <li>2. Throwing too much snow.</li> <li>3. Fuel tank cap is covered with ice or snow.</li> <li>4. Dirty or clogged muffler.</li> </ol>	<ol style="list-style-type: none"> <li>1. Reconnect spark plug wire.</li> <li>2. Reduce speed and width of swath.</li> <li>3. Remove ice and snow on and around fuel tank cap.</li> <li>4. Clean or replace muffler.</li> </ol>
<b>Engine idles or runs roughly</b>	<ol style="list-style-type: none"> <li>1. Choke is in FULL position.</li> <li>2. Blockage in fuel line.</li> <li>3. Stale fuel.</li> <li>4. Water in fuel.</li> <li>5. Carburetor is in need of adjustment or overhaul.</li> </ol>	<ol style="list-style-type: none"> <li>1. Move choke to OFF position.</li> <li>2. Clean fuel line.</li> <li>3. Empty fuel tank &amp; carburetor, refill with fresh, clean gasoline.</li> <li>4. Empty fuel tank &amp; carburetor, refill with fresh, clean gasoline.</li> <li>5. Contact a qualified service centre/department.</li> </ol>
<b>Excessive vibration</b>	<ol style="list-style-type: none"> <li>1. Loose parts or damaged augers or impeller.</li> </ol>	<ol style="list-style-type: none"> <li>1. Tighten all fasteners. Replace damaged parts. If vibration remains, contact a qualified service centre/department.</li> </ol>
<b>Recoil starter is hard to pull</b>	<ol style="list-style-type: none"> <li>1. Frozen recoil starter.</li> </ol>	<ol style="list-style-type: none"> <li>1. See "IF RECOIL STARTER HAS FROZEN" in the Operation section of this manual.</li> </ol>
<b>Loss of traction drive / slowing of drive speed</b>	<ol style="list-style-type: none"> <li>1. Drive belt is worn.</li> <li>2. Drive belt is off of pulley.</li> <li>3. Friction drive wheel is worn.</li> </ol>	<ol style="list-style-type: none"> <li>1. Check / replace drive belt.</li> <li>2. Check / reinstall drive belt.</li> <li>3. Contact a qualified service centre/department.</li> </ol>
<b>Loss of snow discharge or slowing of snow discharge</b>	<ol style="list-style-type: none"> <li>1. Auger belt is off of pulley.</li> <li>2. Auger belt is worn.</li> <li>3. Clogged discharge chute.</li> <li>4. Augers / impeller jammed.</li> </ol>	<ol style="list-style-type: none"> <li>1. Check / reinstall auger belt.</li> <li>2. Check / replace auger belt.</li> <li>3. Clean snow chute.</li> <li>4. Remove debris or foreign object from augers / impeller.</li> </ol>

# IMPORTANTE

## Procedimientos de Funcionamiento Seguro Para Máquinas Quitanieves

Esta máquina puede amputar manos y pies y lanzar objetos.

El no observar las siguientes instrucciones de seguridad puede dar lugar a heridas graves.

	<b>Busque este símbolo que señala las precauciones de seguridad de importancia. Quiere decir ¡ATENCIÓN! ¡ESTE ALERTO! SU SEGURIDAD ESTA COMPROMETIDA.</b>
	<b>ADVERTENCIA: Siempre desconecte el alambre de la bujía y póngalo donde no pueda entrar en contacto con la bujía, para evitar el arranque por accidente, durante la preparación, el transporte, el ajuste o cuando se hacen reparaciones.</b>
	<b>ADVERTENCIA: Esta máquina quitanieves se puede utilizar en aceras, vías de acceso y otras áreas a nivel del suelo. Hay que tener precaución usándola sobre pendientes. No usar la máquina quitanieves en áreas sobre el nivel del suelo, como techos de casas, garajes, pórticos u otras estructuras o edificios similares.</b>

	<b>ADVERTENCIA: Las máquinas quitanieves tienen partes giratorias expuestas, que pueden causar heridas graves por contacto, o por material lanzado desde el conducto de eyección. Mantener siempre el área de operación libre de toda persona, niños pequeños y animales domésticos, incluso durante la puesta en marcha.</b>
 	<b>PRECAUCIÓN: El silenciador y otras piezas del motor llegan a ser extremadamente calientes durante la operación y siguen siendo calientes después de que el motor haya parado. Para evitar quemaduras severas, permanezca lejos de estas áreas.</b>
	<b>ADVERTENCIA: El tubo de escape del motor, algunos de sus constituyentes y algunos componentes del vehículo contienen o desprenden productos químicos conocidos en el Estado de California como causa de cáncer y defectos al nacimiento u otros daños reproductivos.</b>

### Formación

1. Antes de hacer funcionar esta unidad hay que leer, comprender y seguir todas las instrucciones en el manual y en el manual (es). Familiarizarse completamente con los mandos y el uso correcto de la máquina. Hay que saber como parar la unidad y desconectar los mandos rápidamente.
2. No permitir nunca que menores de edad utilicen la maquina. No permitir nunca que adultos sin adecuada instrucción previa utilicen la maquina.
3. Mantener el área de operación libre de toda persona, especialmente niños pequeños y animales domésticos.
4. Atención a evitar de resbalarse o caerse especialmente cuando se va marcha atrás.

### Preparación

1. Inspeccionar a fondo el área donde se va a utilizar la maquina y quitar todos los felpudos, trineos, planchas, hilos y otros objeto ajenos.
2. Desconectar todos los embragues en la posición neutra antes de poner en marcha el motor.
3. No accionar la máquina sin llevar vestidos invernales adecuados para el exterior. Evitar vestidos sueltos y colgantes que puedan quedarse atrapados en las partes giratorias. Calzar zapatos que mejoren la estabilidad en áreas resbaladizas.
4. Manejar el carburante con precaución; es altamente inflamable.
  - (a) Usar un contenedor aprobado para carburante.
  - (b) No añadir nunca carburante a un motor en marcha o caliente.
  - (c) Llenar el depósito de carburante al aire libre con extrema precaución. No llenar nunca el depósito de carburante al interior de un edificio.
  - (d) No llenar nunca contenedores dentro un vehículo o en un camión o remolque revestido con forro de plástico. Posicionar siempre los contenedores en el suelo, lejos de su vehículo antes de llenarlos.
  - (e) Cuando sea práctico, quitar los aparatos alimentados por gas del camión o del remolque y abastecer en el suelo. Si esto no fuera posible, entonces hay que

abastecer tales aparatos sobre un remolque mediante contenedores portátiles, más bien que con un inyector de distribución de gasolina.

- (f) Mantener siempre la boquilla en contacto con el borde de la apertura del depósito de carburante, hasta que el reaprovisionamiento esté completo. No usar un dispositivo de cierre de la boquilla.
  - (g) Reponer el tapón de carburante firmemente y secar el carburante derramado.
  - (h) Si el carburante se derrama sobre vestidos, cambiarlos inmediatamente.
5. Para todas las unidades con motores de mando eléctrico o de encendido eléctrico, usar cables de prolongamiento y receptáculos especificados por el fabricante.
  6. Regular la altura de la máquina quitanieves para evitar áreas de gravilla o de pedrisco.
  7. No intentar nunca hacer regulaciones mientras el motor esté en marcha (excepto cuando está recomendado específicamente por el fabricante).
  8. Llevar siempre gafas de protección o máscaras para los ojos durante la utilización de la máquina o mientras se haga una regulación o una reparación para proteger los ojos de objetos extraños que pueden ser lanzados por la máquina quitanieves.

### Funcionamiento

1. No meter las manos o los pies cerca o debajo de partes giratorias. No acercarse nunca al área de apertura de eyección.
2. Tener extrema cautela mientras la máquina funcione en avenidas, caminos, carreteras de gravilla o los cruce. Estar alerta por peligros escondidos o tráfico.
3. Después de golpear un objeto ajeno, parar el motor, quitar el cable de la bujía de encendido, desconectar el cable de los motores eléctricos, inspeccionar a fondo la máquina quitanieves para detectar daños y repararlos antes de volver a encender y utilizar la máquina quitanieves.



4. Si la unidad empezara a vibrar de manera anormal, parar el motor y controlar inmediatamente para detectar la causa. Las vibraciones son generalmente indicio de problemas.
5. Parar el motor cada vez que se abandone la posición de funcionamiento, antes de limpiar el alojamiento del colector / impulsor o el conducto de eyección y cuando se hagan reparaciones, regulaciones o inspecciones.
6. Cuando se limpie, repare o inspeccione la máquina, cerciorarse de que todos los mandos estén desconectados y que la colector / impulsor y todas las partes móviles estén paradas. Desconectar el cable de la bujía de encendido y mantener el cable lejano de la bujía de encendido para prevenir puestas en marcha accidentales.
7. No hacer funcionar el motor al interior, excepto en la puesta en marcha y para transportar la máquina quitanieves dentro o afuera del edificio. Abrir las puertas que dan al exterior; los gases de escape son peligrosos.
8. Tener mucho cuidado cuando se trabaja en terrenos pendientes.
9. Nunca hacer funcionar el quitanieves sin que sus protecciones y los otros dispositivos de seguridad estén bien colocados y funcionen.
10. No dirigir nunca la eyección hacia personas o áreas donde se pueden producir daños. No permitir que los niños se acerquen.
11. No sobrecargar la capacidad de la máquina intentando despejar nieve a una velocidad demasiado alta.
12. No conducir la máquina demasiado rápidamente sobre superficies resbaladizas. Mirar atrás y ser prudente durante la marcha atrás.
13. Desconectar la alimentación de la barrena / impulsor cuando se transporta o no se utiliza la máquina quitanieves.
14. Usar únicamente accesorios aprobados por el constructor de la máquina quitanieves (como pesos para las ruedas, contrapesos o cabinas).

15. No hacer funcionar nunca la máquina quitanieves sin una buena visibilidad o iluminación. Hay que estar siempre seguros de los propios pasos y agarrarse firmemente a la empuñadura. Caminar; nunca correr.
16. Nunca tocar un motor o un silenciador de escape calientes.

### Limpiar un conducto de descarga obturado

El contacto de la mano con el impulsor giratorio al interior del conducto de descarga es la causa más común de lesiones con las máquinas quitanieve. Nunca usar las manos para limpiar el conducto de descarga. Para limpiar el conducto:

1. ¡APAGAR EL MOTOR!
2. Esperar 10 segundos para asegurarse de que las hojas del impulsor hayan parado de girar.
3. Usar siempre una herramienta para limpiar, nunca las manos.

### Mantenimiento y conservación

1. Controlar frecuentemente que el perno de cizalla y los demás pernos estén adecuadamente apretados para asegurar que la máquina puede trabajar con seguridad.
2. No dejar nunca la máquina quitanieves con carburante en su depósito dentro de un edificio donde hayan fuentes de ignición, como agua caliente y calentadores de ambiente o secadoras de ropa. Dejar enfriar el motor antes de guardar la máquina al interior.
3. Hacer siempre referencia a la guía de instrucciones del operador para detalles importantes si se tiene que guardar la máquina quitanieves por un largo periodo.
4. Mantener o sustituir las etiquetas de seguridad e instrucción, si fuera necesario.
5. Hacer funcionar la máquina quitanieves por algunos minutos después de lanzar nieve, para limpiar la máquina y prevenir el congelamiento de la colector / impulsor.

**FELICITACIONES** por la compra de su Máquina Quitanieves. Ha sido diseñado, planificado y fabricado para darle la mejor confiabilidad y el mejor rendimiento posible.

En el caso de que se encuentre con cualquier problema que no pueda solucionar fácilmente, haga el favor de ponerse en contacto con un Centro de Piezas y Reparación cualificado. Cuenta con técnicos bien capacitados y competentes y con las herramientas adecuadas para darle servicio o para reparar esta unidad.

Haga el favor de leer y de guardar este manual. Estas instrucciones le permitirán montar y mantener su unidad en forma adecuada. Siempre observe las "REGLAS DE SEGURIDAD."

NÚMERO DE SERIE: \_\_\_\_\_

FECHA DE COMPRA: \_\_\_\_\_

EL NÚMERO DEL MODELO Y EL DE SERIE SE ENCUENTRAN EN LA CALCOMANÍA ADJUNTA A LA PARTE TRASERA DE LA CAJA DE LA MÁQUINA QUITANIEVES.

DEBE REGISTRAR TANTO EL NÚMERO DE SERIE COME LA FECHA DE COMPRA Y MANTENGALOS EN UN LUGAR SEGURO PARA REFERENCIA EN EL FUTURO.

## ESPECIFICACIONES DEL PRODUCTO

<b>Capacidad y Tipo de Gasolina:</b>	2.0 Cuartos Regular sin Plomo
<b>Tipo de Aceite (API SG-SL):</b>	SAE 5W-30 o 10W-30 (5° a -18°C) Sintético SAE 0W-30 (Debajo -18°C)
<b>Capacidad de Aceite:</b>	26 Onzas
<b>Bujía:</b>	Champion RJ19LM
<b>Abertura:</b>	0.030"

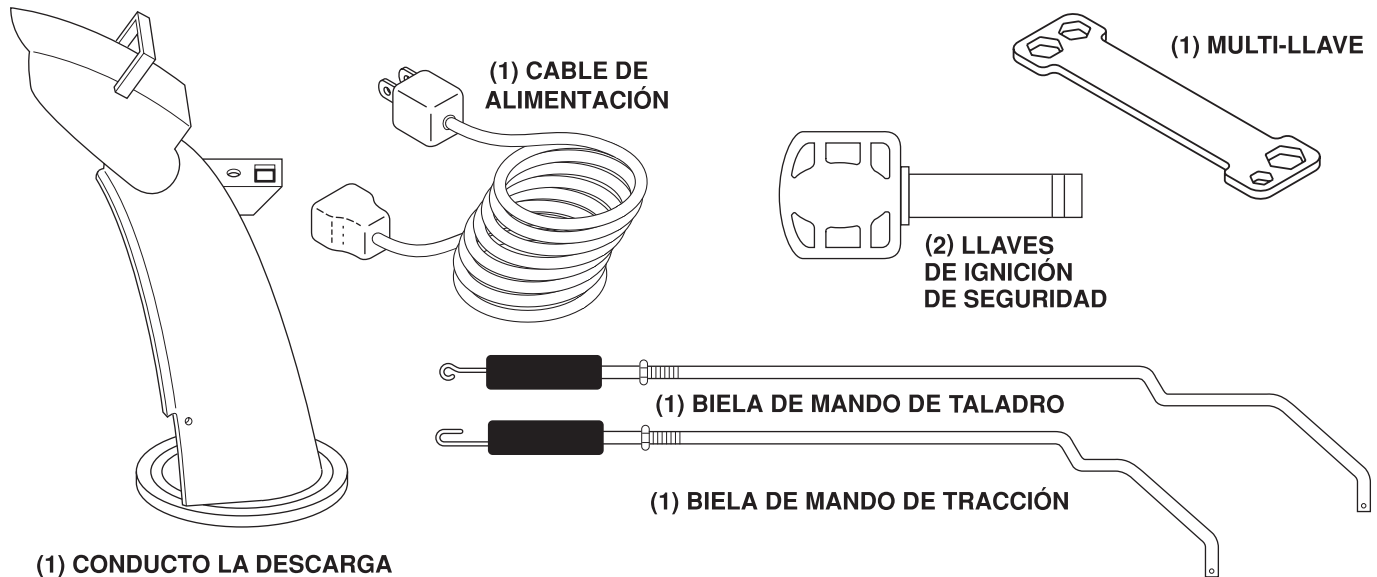
## RESPONSABILIDADES DEL CLIENTE

- Lea y observe las reglas de seguridad.
- Siga un programa regular de mantenimiento, cuidado y uso de su Máquina Quitanieves.
- Siga las instrucciones descritas en las secciones "Mantenimiento" y "Almacenamiento" de este Manual del Dueño.

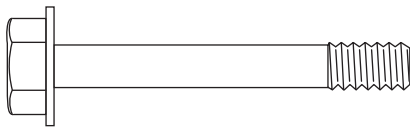
# TABLA DE MATERIAS

REGLAS DE SEGURIDAD .....	20-21	PROGRAMA DE MANTENIMIENTO .....	32
ESPECIFICACIONES DEL PRODUCTO .....	21	SERVICIO Y AJUSTES .....	34-36
RESPONSABILIDADES DEL CLIENTE .....	21	ALMACENAMIENTO .....	36
MONTAJE / PRE-OPERACIÓN .....	22-25	IDENTIFICACION DE PROBLEMAS .....	37
OPERACIÓN .....	26-32	PARTES DE REPUESTO .....	38-51
MANTENIMIENTO .....	32-33	GARANTIA .....	52

# PARTES EMPACADAS POR SEPARADO EN LA CAJA DE CARTÓN



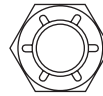
## PERNOS Y TUERCAS EXTRA PARA LA CIZALLA



(2) PERNOS 1/4-20 x 2

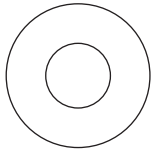


(2) ESPACIADORS

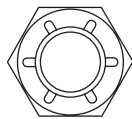


(2) TUERCAS DE SEGURIDAD 1/4-20

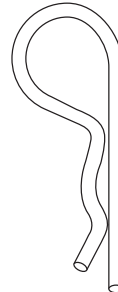
## SOPORTE DE CABEZA GIRATORIA



(1) ARANDELA 3/8

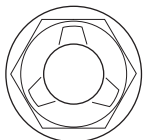


(1) TUERCA DE SEGURIDAD 3/8

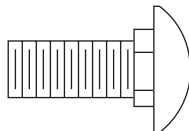


(3) RESORTES DE RETENCIÓN

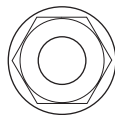
## MANDO A DISTANCIA DEL DEFLECTOR DEL CONDUCTO



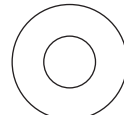
(1) TUERCA DE SEGURIDAD 5/16-18



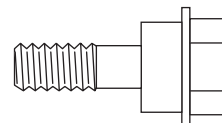
(1) PERNO DE ACARREO 5/16-18 x 5/8



(1) TUERCA DE SEGURIDAD 1/4-20



(1) ARANDELA DE NILON



(1) PERNO DON RESALTO 1/4-20

(1) RESORTE

# MONTAJE / PRE-OPERACIÓN

Leer estas instrucciones y este manual completamente antes de empezar a montar o hacer funcionar su nuevo quitanieves. La lectura del manual le familiarizará con la unidad, lo cual le asistirá en el montaje, la operación y el mantenimiento del producto.

Su nuevo quitanieves se ha montado en la fábrica excepto aquellas partes que se han dejado sueltas por motivos de transporte. Todas las partes como las tuercas, arandelas, pernos, etc., necesarias para completar el ensamblaje se hallan en la bolsa de las partes. Para asegurar un funcionamiento seguro y adecuado de su quitanieves, todas estas partes que usted ensamblará han de apretarse muy bien. Usar las herramientas correctas que aseguren el apriete adecuado.

## SACAR LA MÁQUINA QUITANIEVES DEL CARTÓN

1. Sacar todas las partes sueltas y las cajas de partes del cartón.
2. Cortar los cuatro ángulos del cartón y apoyar los paneles en horizontal.
3. Desmontar los dos (2) tornillos que sujetan el bastidor del barrenas a la plataforma.
4. Quitar todos los materiales de empaquetamiento excepto el lazo de plástico que sujeta la biela del control de velocidad a la empuñadura inferior.
5. Desmontar los dos (2) lazos de plástico que sujetan el empuñadura superior a la plataforma.
6. Sacar la máquina quitanieves del cartón y controlar a fondo que no se hayan quedado en el cartón partes adicionales sueltas.

## COMO PREPARAR SU MÁQUINA QUITANIEVES

### PORTAHERRAMIENTAS (Ver Fig. 10)

Con su máquina quitanieves se le proporciona un portaherramientas. El portaherramientas está situado sobre la cubierta de la correa. Guarde los pernos de cizalla de recambio, tuercas y llave de tuercas en la bolsa de partes del portaherramientas.

**NOTA:** La llave de apriete se puede usar para montar la cabeza giratoria del conducto a la máquina quitanieves y para hacer regulaciones de las placas de deslizamiento.

### DESPLIEGAR LA EMPUÑADURA SUPERIOR

1. Alzar la empuñadura superior hasta la posición de operación y apretar fuerte el pomo de la empuñadura.

### MONTAR LA BIELA DEL CONTROL DE VELOCIDAD (Ver Figs. 1 y 2)

1. Quitar el lazo de plástico que sujeta la biela a la empuñadura inferior.
2. Montar la biela en el soporte del control de velocidad y apretar con el resorte de sujeción.

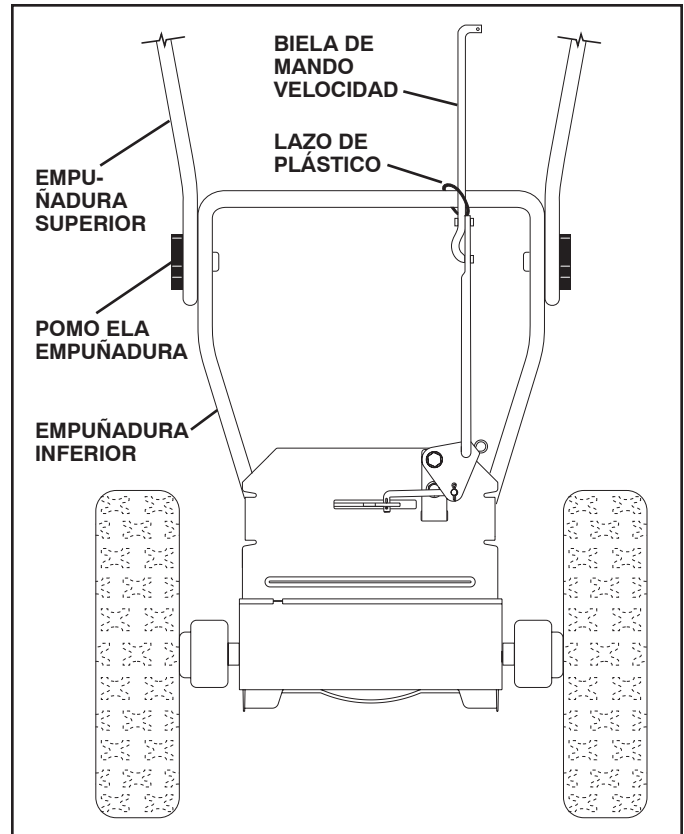


FIG. 1

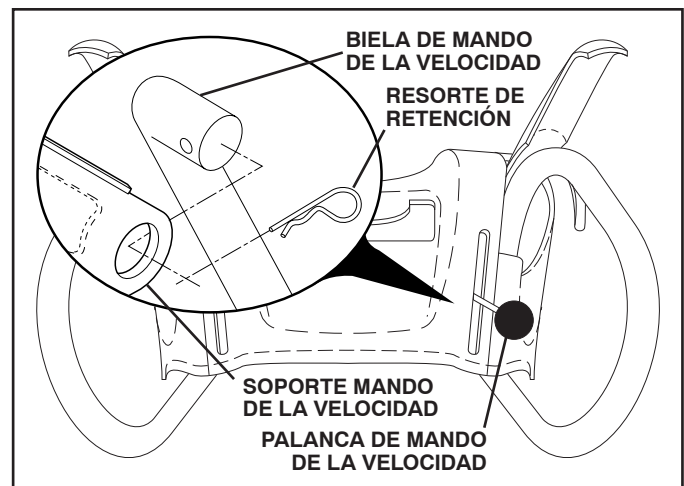


FIG. 2

# MONTAJE / PRE-OPERACIÓN

## MONTAJE DE LA BIELA DE MANDO DE LA TRACCIÓN (Ver Figs. 3 y 4)

La biela de mando de la tracción tiene un gancho largo en el extremo del resorte, como mostrado.

1. Deslizar el manguito de caucho sobre la biela y enganchar la terminación del resorte en el soporte del pivote con el gancho abierto hacia abajo como mostrado.
2. Con la extremidad superior de la biela colocada debajo del lado izquierdo del panel de control, empujar la biela hacia abajo e insertar el extremo de la biela en el orificio del soporte de control. Apretar con el resorte de sujeción.

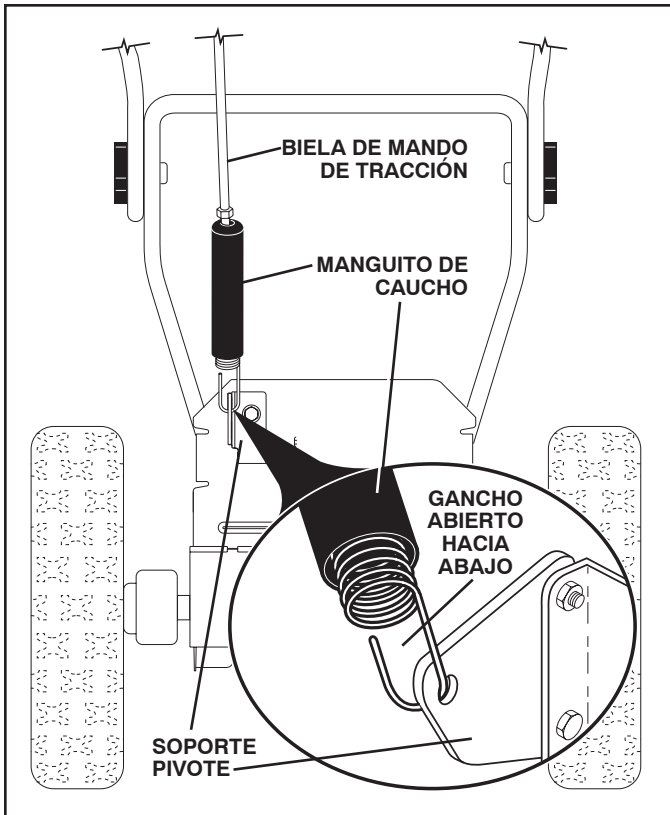


FIG. 3

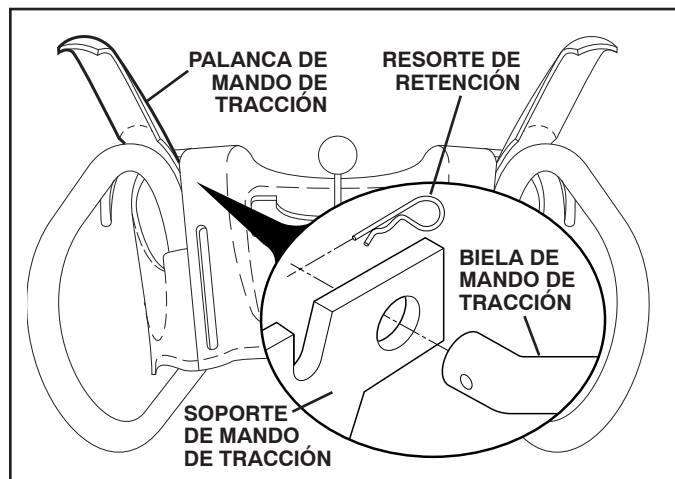


FIG. 4

## MONTAR LA BIELA DE MANDO DE LA BARRENA (Ver Figs. 5 y 6)

La biela del mando de tracción tiene un gancho corto en la extremidad del resorte, como mostrado.

1. Deslizar el manguito de caucho sobre la biela y enganchar la terminación del resorte al brazo de mando con el gancho abierto hacia arriba como mostrado.
2. Con el extremo superior de la biela colocado debajo del lado derecho del panel de control, empujar la biela hacia abajo e insertar el extremo superior de la biela en el orificio en el soporte de mando de la barrena. Apretar con el resorte de sujeción.

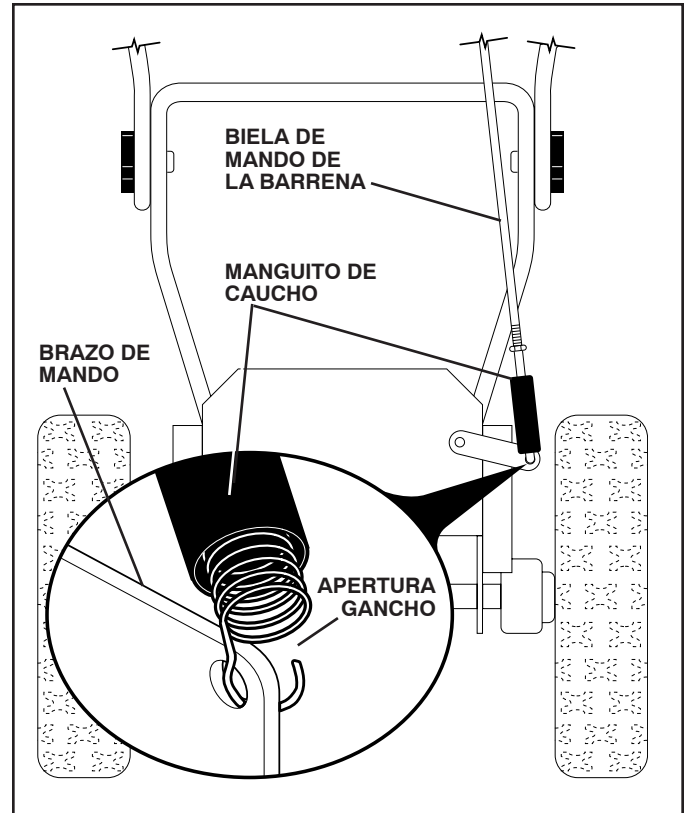


FIG. 5

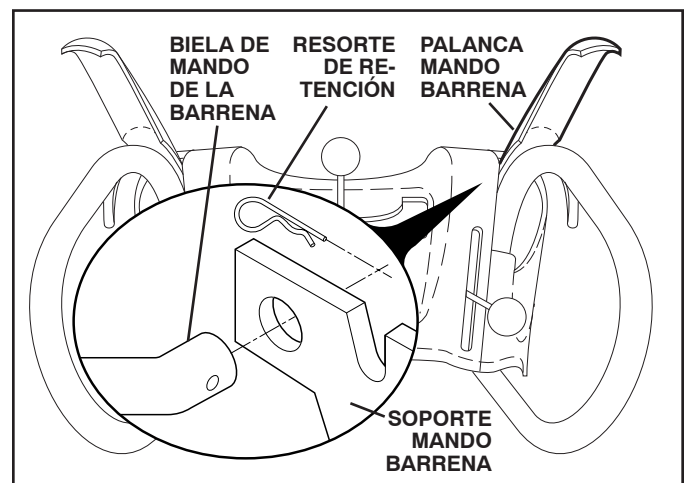


FIG. 6

# MONTAJE / PRE-OPERACIÓN

## MONTAR EL CONDUCTO DE EYECCIÓN / CABEZA GIRATORIA DEL CONDUCTO (Ver Fig. 7)

**NOTA:** la llave de apriete proporcionada en su bolsa de partes se puede utilizar para instalar la cabeza giratoria del conducto.

1. Colocar el grupo del conducto de eyección sobre la base del conducto con la abertura de eyección hacia el frente de la máquina quitanieves.
2. Posicionar la cabeza giratoria del conducto sobre el soporte del conducto. Si fuera necesario, girar el grupo del conducto para alinear la escuadra y la clavija debajo de la cabeza giratoria del conducto con los orificios en el soporte del conducto.
3. Con la cabeza giratoria del conducto y el soporte del conducto alineados, posicionar la cabeza giratoria del conducto sobre la clavija y el perno con filete del soporte de montaje.
4. Colocar una arandela y una contratuerca de 3/8 sobre el perno con filete y apretar firmemente.

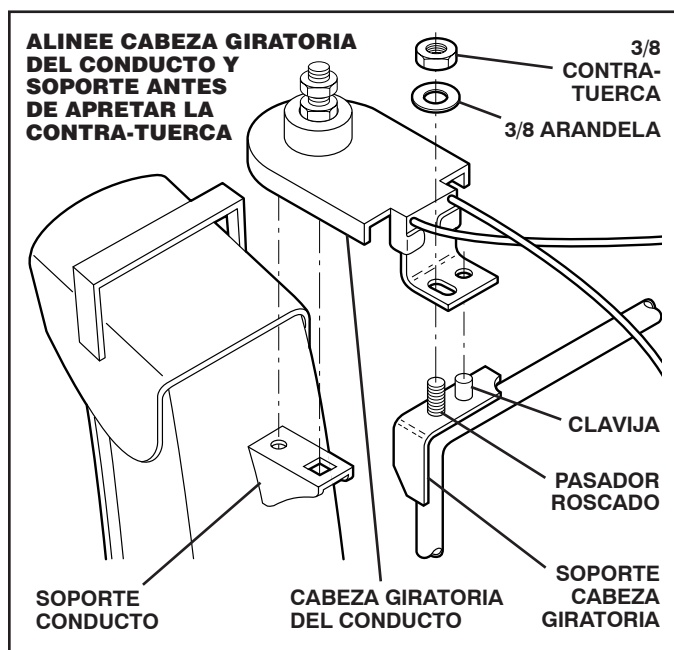


FIG. 7

## MONTAR EL MANDO A DISTANCIA DEL DEFLECTOR DEL CONDUCTO (Ver Figs. 8 y 9)

1. Acoplar el soporte del cable remoto al conducto de eyección con un perno de madera de 5/16-18 y una contratuerca de 5/16-18 como mostrado. Apretar firmemente.
2. Montar el ojal metálico del cable remoto al deflector del conducto con un perno de collarín de 1/4-20, una arandela de nylon, una arandela plana y una contratuerca de 1/4-20 como mostrado. Apretar firmemente.
3. Colocar resortes de gancho entre las tuercas hexagonales en la cabeza giratoria del conducto y en el orificio del deflector del conducto, como mostrado.

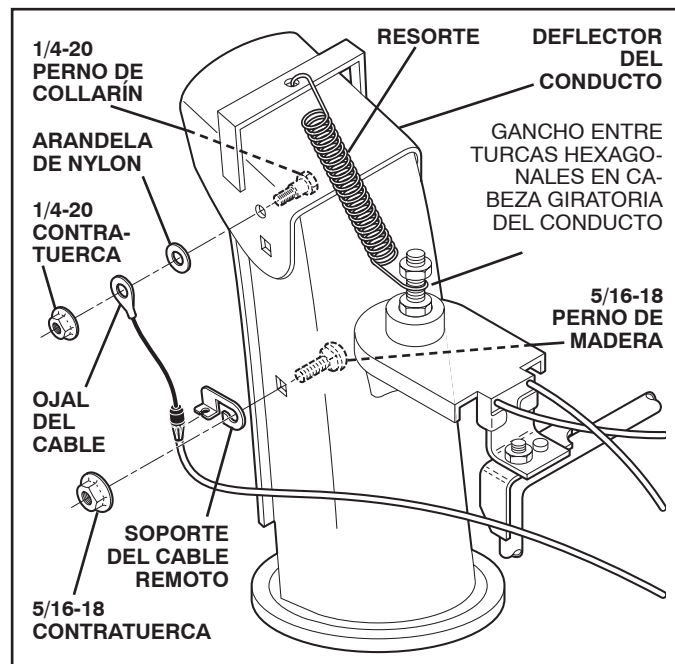


FIG. 8

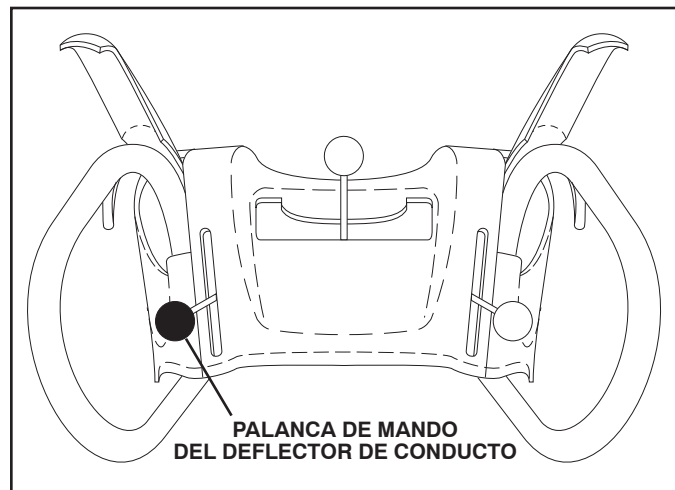


FIG. 9

## CONTROLAR LA PRESIÓN DE LOS NEUMÁTICOS

Los neumáticos de su máquina quitanieves se han inflado más de lo normal por motivos de envío. Una correcta e igual presión de los neumáticos es importante para la mejor prestación en el despeje de nieve.

- Reducir la presión de neumáticos a 14-17 PSI (19-24.5 N-m).



# OPERACIÓN

## FAMILIARÍCESE CON SU MÁQUINA QUITANIEVES

LEA ESTE MANUAL DEL DUEÑO Y LAS REGLAS DE SEGURIDAD ANTES DE OPERAR SU MÁQUINA QUITANIEVES.

Compare las ilustraciones con su segadora para familiarizarse con la ubicación de los diversos controles y ajustes. Guarde este manual para referencia en el futuro.

Estos símbolos pueden aparecer sobre su máquina quitanieves o en la literatura proporcionada con el producto. Aprenda y comprenda sus significados.



PELIGRO o  
ATENCIÓN



MOTOR  
ENCENDIDO



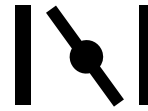
MOTOR  
APAGADO



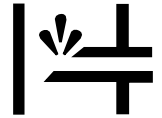
RÁPIDO



LENTO



ESTRANGULACIÓN



CEBADOR



COMBUSTIBLE



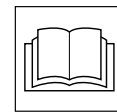
ACEITE



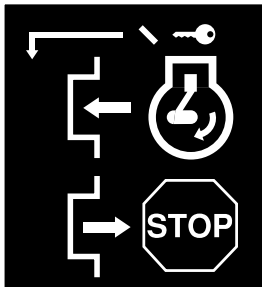
DALANTERO



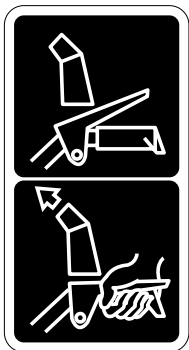
REVÉS



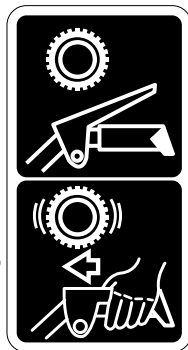
LEER Y SEGUIR TODAS LAS INFORMACIONES DE SEGURIDAD ANTES DE USAR ESTE PRODUCTO. GUARDAR ESTAS INSTRUCCIONES PARA CONSULTAS FUTURAS.



LLAVE DE IGNICIÓN.  
INTRODUCIR PARA  
PONER EN MARCHA,  
EXTRAER PARA APAGAR.



DESEN-  
GANCHADO



ENGANCHADO

DESCARGA  
DE LA NIEVE

MANDO DE  
LA TRACCIÓN





# OPERACIÓN

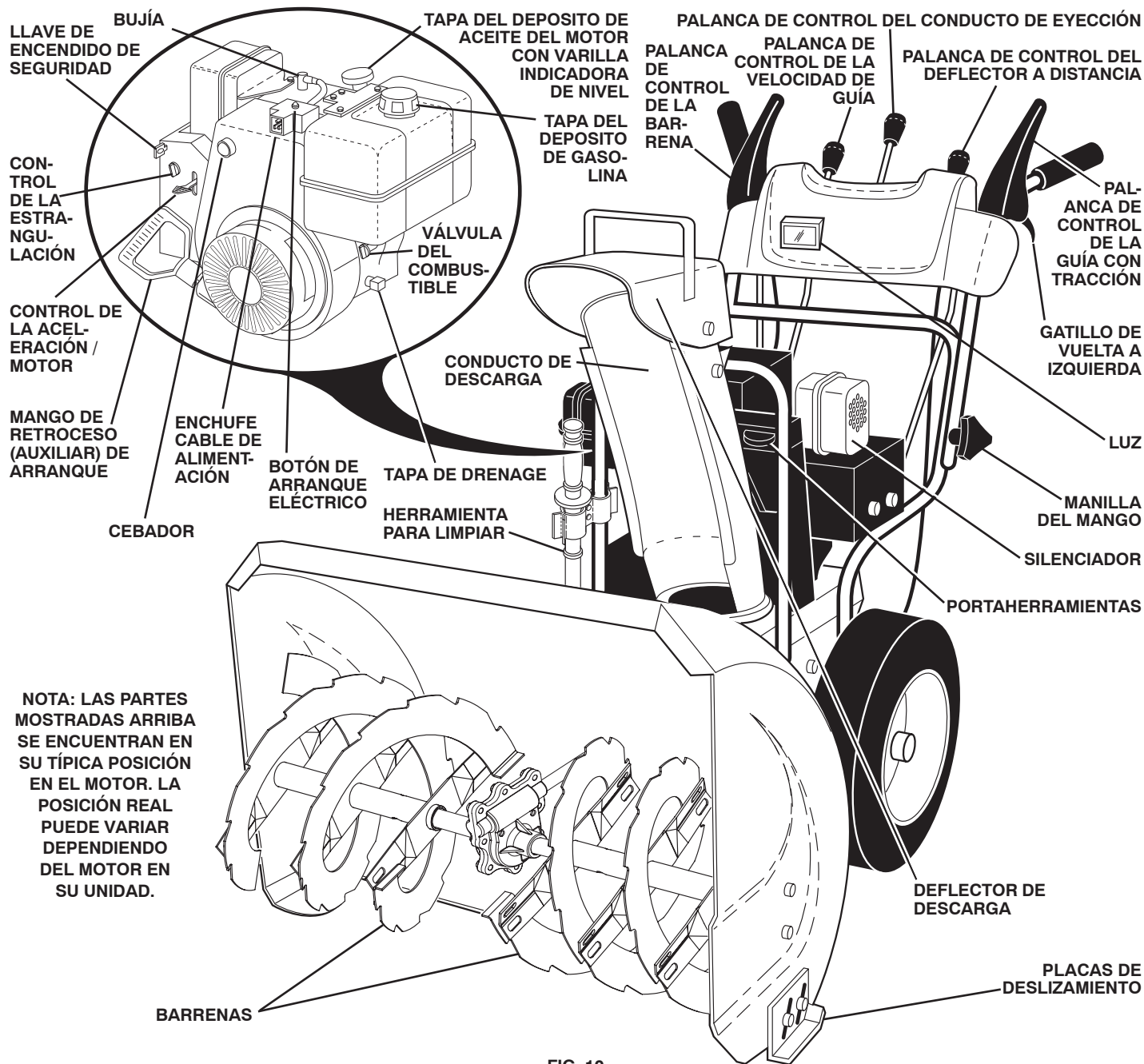


FIG. 10

## CUMPLE CON LOS REQUISITOS DE SEGURIDAD DE LA A.N.S.I.

Nuestras máquinas quitanieves cumplen con los estándares de seguridad del American National Standards Institute.

**Llave de encendido de seguridad** – tiene que introducirse para que el motor arranque y funcione. Quítese cuando no se usa la máquina quitanieves.

**Botón de arranque eléctrico** – utilizado para poner en marcha el motor.

**Mango de retroceso (auxiliar) de arranque** – utilizado para poner en marcha el motor.

**Cebador** – bombea más carburante desde el carburador al cilindro para arranques con el motor frío.

**Control de la estrangulación** – para arrancar con motor frío.

**Palanca de control de la barrena** – utilizada para conectar el movimiento de la barrena (lanza nieve).

**Gatillos de vuelta a izquierda y derecha** – utilizados para dirigir la máquina quitanieves.

**Portaherramientas** – utilizada para guardar pernos varios y tuercas de recambio y llave de tuercas.

**Palanca de control de la velocidad de guía** – utilizada para seleccionar la marcha adelante o atrás y la velocidad de la máquina quitanieves.

**Palanca de control de la guía con tracción** – utilizada para accionar el movimiento propulsado de potencia adelante o marcha atrás de la máquina quitanieves.

**Palanca de control del conducto de eyección** – utilizada para cambiar la dirección de lanzamiento de la nieve.

**Palanca de control del deflector a distancia** – utilizada para regular la distancia a la que se lanza la nieve.

**Placas de deslizamiento** – utilizada para regular la altura de la barra de arrastre del suelo.

# OPERACIÓN



La operación de cualquier máquina quitanieves puede hacer que salten objetos extraños dentro de sus ojos, lo que puede producir daños graves en éstos. Siempre use anteojos de seguridad o protección para los ojos mientras opere su máquina quitanieves o cuando haga ajustes o reparaciones.

Recomendamos gafas o una máscara de seguridad de visión amplia de seguridad usada sobre las gafas.

## COMO UTILIZAR SU MÁQUINA QUITANIEVES

**Conozca como** hacer funcionar todos los mandos antes de añadir carburante o intentar poner en marcha el motor.

## PARARSE

### GUÍA CON TRACCIÓN

- Soltar la palanca de control de guía a tracción para parar el movimiento hacia delante o marcha atrás de la máquina quitanieves.

### BARRENA

- Soltar la palanca de control de la barrena para parar de lanzar nieve.

### MOTOR

1. Poner el mando del acelerador en la posición de "STOP".
2. Quitar (sin girar) la llave de encendido de seguridad para prevenir un uso no autorizado.

**NOTA:** No usar nunca el cebador para parar el motor.

## USAR EL CONTROL DE LA ESTRANGULACIÓN (Ver Fig. 11)

El mando del cebador está en el motor. Utilizar el mando del cebador siempre que se arranque con motor frío. No utilizar para poner en marcha un motor caliente.

- Para conectar el cebador, girar el mando en el sentido inverso de las agujas del reloj. Para desconectar, girar el mando poco a poco en el sentido al de las agujas del reloj.

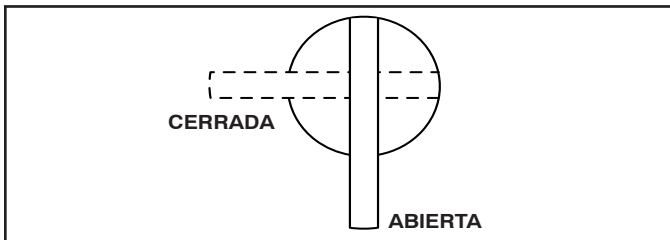


FIG. 11

## PARA USAR EL MANDO DEL ACELERADOR (Ver Fig. 12)

El mando del acelerador está en el motor. Hacer funcionar siempre la máquina quitanieves con el motor acelerado a todo gas. La máxima aceleración ofrece la mejor prestación de la máquina quitanieves.

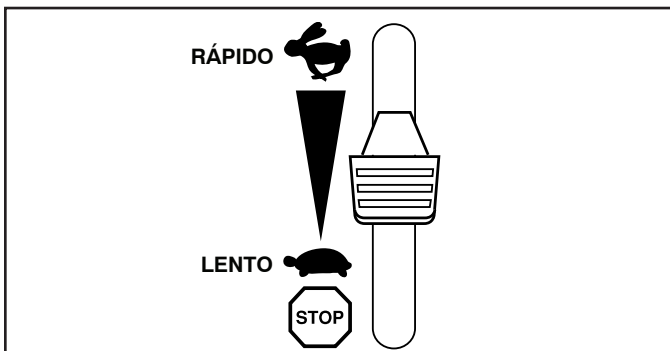


FIG. 12

## USAR EL CONTROL DE LA ESTRANGULACIÓN (Ver Fig. 13)

El mando del cebador está en el motor. Utilizar el mando del cebador siempre que se arranque con motor frío. No utilizar para poner en marcha un motor caliente.

- Para conectar el cebador, girar el mando en el sentido de las agujas del reloj. Para desconectar, girar el mando poco a poco en el sentido inverso al de las agujas del reloj.

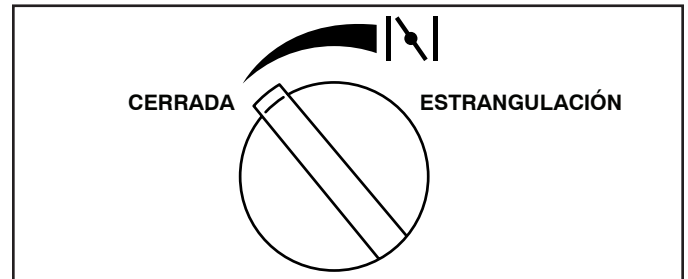


FIG. 13

## CONTROLAR LA EYECCIÓN DE LA NIEVE (Ver Fig. 14)



**ADVERTENCIA:** Las máquinas quitanieves tienen partes giratorias expuestas, que pueden causar heridas graves por contacto, o por material lanzado desde el conducto de eyección. Mantener siempre el área de operación libre de toda persona, niños pequeños y animales domésticos, incluso durante la puesta en marcha.



**ADVERTENCIA:** Si el conducto de descarga o la barrena se atascan, apagar el motor y espera que las partes en movimiento se hayan parado. Usar la herramienta de limpieza, **NO LAS MANOS**, para liberar el conducto y/o la barrena.

La **DIRECCIÓN** en la que se lanza la nieve se controla mediante la palanca del mando del conducto de eyección.

- Para cambiar la posición del conducto de eyección, empujar hacia abajo la palanca del mando del conducto de eyección y mover la palanca hacia la izquierda o la derecha hasta que el conducto esté en la posición deseada. Cerciorarse de que la palanca se suelte y se quede bloqueada en la posición deseada.

La **DISTANCIA** a la que se lanza la nieve se controla mediante la posición del deflector del conducto. Colocar el deflector bajo para lanzar nieve a breve distancia; colocarlo más alto para lanzar la nieve más lejos.

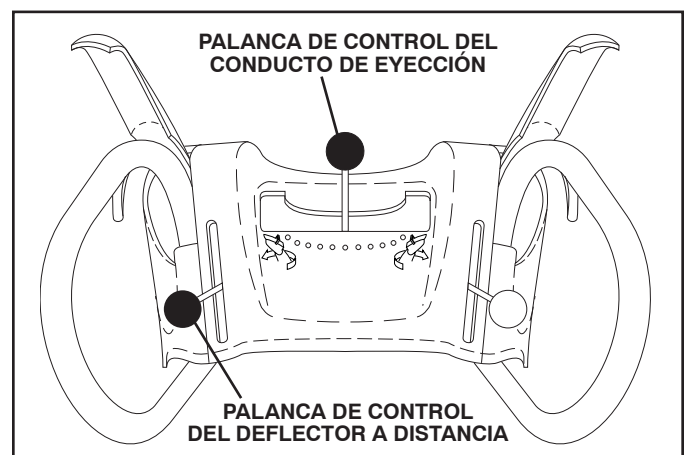


FIG. 14

# OPERACIÓN

- Presionar hacia abajo la palanca de mando del deflector del conducto y mover la palanca hacia adelante para bajar el deflector y disminuir la distancia. Mover la palanca del mando del deflector del conducto hacia atrás para alzar el deflector y aumentar la distancia. Asegurarse de que la palanca vaya atrás y fijarla en la posición deseada.

## LANZAR LA NIEVE (Ver Fig. 15)

La rotación de la barrena se controla con la palanca de mando de la barrena posicionada en la empuñadura derecha.

- Apretar la palanca de mando de la barrena hacia la empuñadura para conectar la barrena y lanzar nieve.
- Soltar la palanca de mando de la barrena para parar de lanzar nieve.

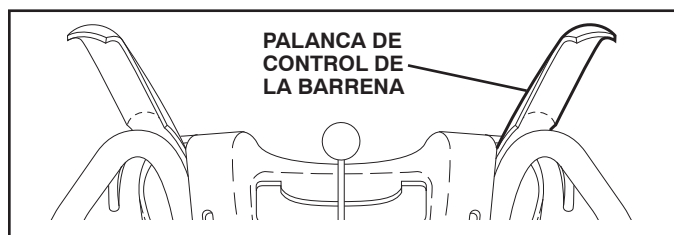


FIG. 15

## USAR LA HERRAMIENTA PARA LIMPIAR (Ver Fig. 16)

En ciertas condiciones de la nieve, el conducto de descarga puede atascarse con hielo y nieve. Usar la herramienta de limpieza para quitar el bloqueo.

**Cuando se limpia, repara o se inspecciona la máquina, asegurarse de que todos los mandos estén desconectados y que la barrena/impulsor y todas las partes que se mueven estén parados. Desconectar el cable de la clavija y mantener el cable alejado de la bujía para evitar una puesta en marcha accidental.**

- Soltar la palanca de mando de la barrena y apagar el motor.
- Quitar la herramienta para limpiar de su clip de soporte. Agarrar la herramienta de modo firme por la empuñadura y empujar y girar la herramienta en el conducto de descarga para eliminar el atasco.

Después de eliminar la nieve acumulada, volver a colocar la herramienta en su clip empujándolo en el clip.

- Asegurarse de que el conducto de descarga esté dirigido hacia una dirección segura (no vehículos, edificios, personas u que otros objetos estén en la dirección de la descarga) antes de poner en marcha el motor.

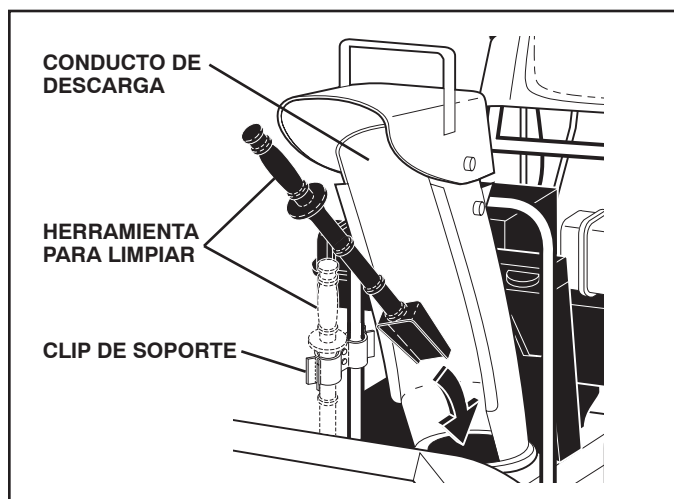


FIG. 16

- Volver a poner en marcha el motor, luego oprimir la palanca de mando de la barrena hacia la empuñadura para limpiar la nieve del alojamiento de la barrena y el conducto de descarga.

## MOVERSE ADELANTE Y ATRÁS (Ver Fig. 17)

El movimiento AUTO-PROPULSADO, hacia adelante y marcha atrás de la máquina quitanieves, se controla mediante la palanca de mando de la guía de tracción posicionada en la empuñadura izquierda.

- Apretar la palanca de mando de la guía de tracción hacia la empuñadura para conectar el sistema de guía.
- Soltar la palanca de mando de la guía de tracción para parar el movimiento hacia delante o marcha atrás de la máquina quitanieves.

VELOCIDAD y DIRECCIÓN se controlan con la palanca del mando de velocidad de guía.

- Mover la palanca del mando de la velocidad en la posición deseada ANTES de conectar la palanca del mando de guía de tracción. Asegurarse de que la palanca vaya atrás y fijarla en la posición deseada.

**ATENCIÓN: No mover la palanca del mando de la velocidad cuando la palanca del mando de la guía de tracción esta conectada. Esto puede perjudicar la máquina quitanieves.**

- Velocidades más lentas son para nieve más pesada y velocidades más altas para nieve ligera y para transportar la máquina quitanieves. Se recomienda usar una velocidad más baja hasta que se esté acostumbrado a las operaciones de la máquina quitanieves.

**NOTA:** Cuando ambas palancas de mando de la guía de tracción y de la barrena estén conectadas, la palanca del mando de guía de tracción bloqueará la palanca de mando de la barrena en la posición de conexión. Esto permitirá soltar la mano derecha de la empuñadura y regular la dirección del conducto de eyección sin interrumpir el proceso de lanzamiento de la nieve.

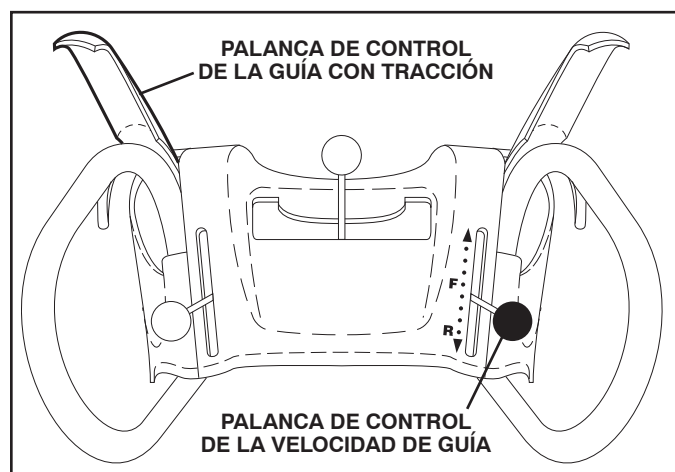


FIG. 17

## FUNCIONAMIENTO DE LA DIRECCIÓN (Ver Fig. 18)

Los activadores de dirección se utilizan para ayudar a dirigir su máquina quitanieves. Los activadores están posicionados en la parte inferior de cada empuñadura. Cuando se aprieta un activador, se desconecta la rueda motriz de aquel lado de la máquina quitanieves y esto permite girar en esa dirección.

- Para girar hacia la izquierda, apretar el activador del lado izquierdo.
- Para girar hacia la derecha, apretar el activador del lado derecho.

# OPERACIÓN

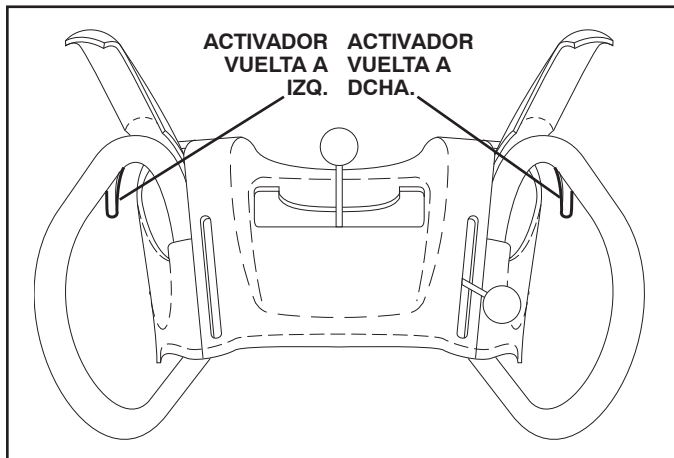


FIG. 18

## REGULAR LAS PLACAS DE DESLIZAMIENTO (Ver Fig. 19)

**NOTA:** la llave de apriete proporcionada en su bolsa de partes puede utilizarse para regular las placas de deslizamiento.

Las placas de deslizamiento están posicionadas a cada lado del alojamiento de la barrena y regulan la distancia entre la barra de arrastre y el suelo. Regule las placas de deslizamiento uniformemente a la altura apropiada a las condiciones de la superficie. Para despejar nieve en condiciones normales, como en vías de acceso adoquinadas o aceras, meter los placas de deslizamiento en la posición más alta (menor distancia de barrido) para dar una distancia de 1/8" entre la barra de arrastre y el suelo. Utilizar una posición intermedia si la superficie que se debe despejar no es uniforme.

**NOTA:** No hacer funcionar la máquina quitanieves sobre gravilla o superficies rocosas. Objetos como gravilla, piedras u otros escombros, pueden ser fácilmente recogidos y lanzados por el impulsor, lo que puede causar heridas personales graves, daños a propiedades o a la máquina quitanieves.

- Si se tiene que utilizar la máquina quitanieves sobre una superficie de gravilla, cerciorarse de que las placas de deslizamiento estén reguladas en la posición más baja (mayor distancia de barrido).

1. Apagar el motor y esperar a que todas las partes en movimiento se hayan parado.
2. Regular las placas de deslizamiento destornillando tan los tuercas, seguidamente mover la placa de deslizamiento en la posición deseada. Asegurarse de que las dos placas estén reguladas uniformemente. Apretar firmemente.

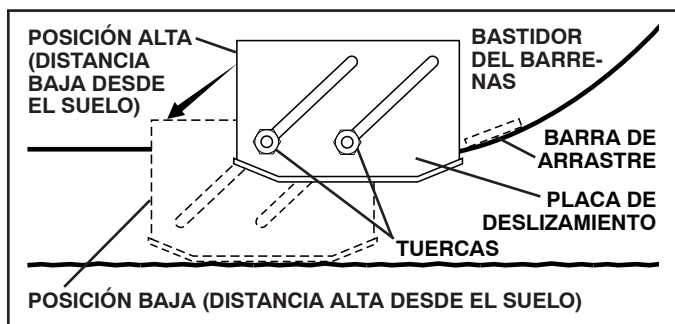


FIG. 19

## BARRA DE ARRASTRE (Ver Fig. 19)

La barra de arrastre no se puede regular, pero es reversible. Después de un uso muy prolongado, puede desgastarse. Cuando se haya consumido casi hasta el borde del alojamiento, se puede usar por el otro lado, pudiéndola utilizar por más tiempo antes de que sea necesario un recambio. Sustituir una barra de arrastre dañada o desgastada.

## ANTES DE PONER EN MARCHA EL MOTOR CONTROLAR EL NIVEL DE ACEITE DEL MOTOR (Ver Fig. 20)

El motor de su máquina quitanieves viene de la fábrica ya lleno de aceite.

1. Controlar el aceite del motor con la máquina quitanieves sobre un terreno llano.
  2. Sacar el tapón / varilla de nivel del relleno de aceite y limpiarla, volver a poner la varilla y enroscar el tapón firmemente, esperar algunos segundos, sacar la varilla y leer el nivel de aceite. Si fuera necesario, añadir aceite hasta llegar a la marca "FULL" (lleno) en la varilla. No llenar demasiado.
- Para cambiar el aceite del motor, ver "COMO CAMBIAR EL ACEITE DEL MOTOR" en la sección de Mantenimiento de este manual.

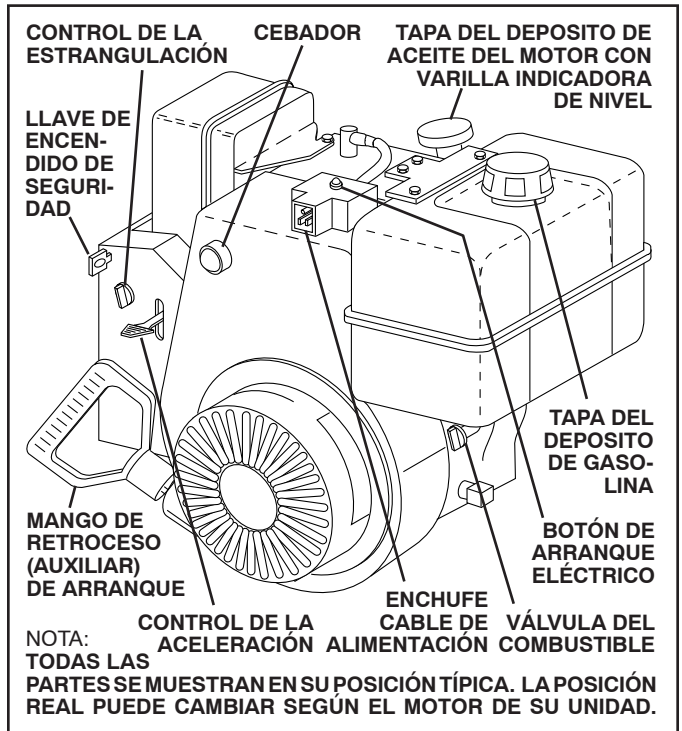
## AGREGUE GASOLINA (Ver Fig. 20)

- Llene el estanque de combustible hasta la parte inferior del cuello de relleno de gasolina. No lo llene demasiado. Use gasolina regular, sin plomo, nueva y limpia con el mínimo de 87 octanos. No mezcle el aceite con la gasolina. Para asegurar que la gasolina utilizada sea fresca compre estanques los cuales puedan ser utilizados durante los primeros 30 días.



**ADVERTENCIA:** Limpie el aceite o el combustible derramado. No almacene, derrame o use gasolina cerca de una llama expuesta.

**PRECAUCIÓN:** Los combustibles mezclados con alcohol (conocidos como gasohol, o el uso de etanol o metanol) pueden atraer la humedad, la que conduce a la separación y formación de ácidos durante el almacenamiento. La gasolina ácida puede dañar el sistema del combustible de un motor durante el almacenamiento. Para evitar los problemas con el motor, se debe vaciar el sistema del combustible antes de



**NOTA:** CONTROL DE LA ACELERACIÓN ALIMENTACIÓN COMBUSTIBLE  
TODAS LAS PARTES SE MUESTRAN EN SU POSICIÓN TÍPICA. LA POSICIÓN REAL PUEDE CAMBIAR SEGÚN EL MOTOR DE SU UNIDAD.



# OPERACIÓN

**guardarlo por un período de 30 días o más. Vacíe el estanque del combustible, haga arrancar el motor y hágalo funcionar hasta que las líneas del combustible y el carburador queden vacíos. La próxima temporada use combustible nuevo. Vea las Instrucciones Para El Almacenamiento para más información. Nunca use productos de limpieza para el motor o para el carburador en el estanque del combustible pues se pueden producir daños permanentes.**

## PUESTA EN MARCHA DEL MOTOR

- Asegurarse de que la válvula de interrupción del carburante esté en posición abierta (OPEN).

El motor de su máquina quitanieves está equipado tanto con un arrancador eléctrico de 120 Voltios A.C. como con un arrancador de retroceso. El arrancador eléctrico está equipado con un cable de potencia de tres hilos y un enchufe y está proyectado para que funcione con corriente doméstica de 120 Voltios A.C.

- Asegúrese que la instalación eléctrica de su casa sea un sistema de tres hilos puesta a tierra de 120 Voltios A.C. Si no está seguro, consulte un electricista autorizado.



**ADVERTENCIA: No use el arrancador eléctrico si la instalación eléctrica de su casa no es un sistema de tres hilos puesta a tierra de 120 Voltios A.C. Podrían resultar heridas personal graves o daños a su máquina quitanieves.**

## PUESTA EN MARCHA CON EL MOTOR FRÍO – ARRANCADOR ELÉCTRICO

1. Insertar la llave de encendido de seguridad (embalado separado en bolso de las piezas) en la posición de encendido hasta que haga un ruido seco. NO girar la llave. Guardar la llave de encendido de seguridad de recambio en un lugar seguro.
2. Meter el mando del acelerador en la posición FAST.
3. Girar el mando del obturador en la posición FULL.
4. Conectar el cable de potencia al motor.
5. Enchufar la otra extremidad del cable de potencia en un enchufe de tres hilos con puesta a tierra de 120 Voltios A.C.
6. Pulsar el cebador tres (3) veces.
7. Pulsar el botón de arranque hasta que el motor se enciende.

**IMPORTANTE:** No hacer girar el motor por más de 5 segundos continuamente cada vez que intente poner en marcha el motor. Esperar de 5 a 10 segundos entre cada tentativa.

8. Cuando el motor se pone en marcha, soltar el botón de arranque y mover lentamente el mando del obturador hasta la posición OFF.
9. Desconectar el cable de potencia antes del enchufe y después del motor.

Dejar que el motor se caliente por algunos minutos. El motor no proporcionará la plena potencia hasta que no haya alcanzado la temperatura normal de funcionamiento.

## PUESTA EN MARCHA CON EL MOTOR CALIENTE – ARRANCADOR ELÉCTRICO

Seguir los pasos descritos arriba, manteniendo el mando del obturador en la posición OFF.

## PUESTA EN MARCHA CON EL MOTOR FRÍO – ARRANCADOR DE RETROCESO

1. Insertar la llave de encendido de seguridad (embalado separado en bolso de las piezas) en la posición de encendido hasta

que haga un ruido seco. NO girar la llave. Guardar la llave de encendido de seguridad de recambio en un lugar seguro.

2. Meter el mando del acelerador en la posición FAST.
3. Girar el mando del obturador en la posición FULL.
4. Pulsar el cebador cuatro (4) veces si la temperatura está por debajo de los 15°F, o dos (2) veces si la temperatura está entre los 15° y los 50°F. Si la temperatura está por encima de los 50°F, el cebador no es necesario.

**NOTA:** Utilizar demasiado el cebador puede ahogar el motor, impidiendo el arranque. En caso de que se ahogue el motor, esperar algunos minutos antes de intentar poner en marcha y NO pulsar el cebador.

5. Tirar la empuñadura del arrancador de retroceso rápidamente. No soltar de golpe la cuerda del arrancador.
6. Cuando el motor arranca, soltar la empuñadura del arrancador de retroceso y mover lentamente el mando del obturador hasta la posición OFF.

Dejar que el motor se caliente por algunos minutos. El motor no proporcionará la plena potencia hasta que no haya alcanzado la temperatura normal de funcionamiento.

## PUESTA EN MARCHA CON EL MOTOR CALIENTE – ARRANCADOR DE RETROCESO

Seguir los pasos descritos arriba, manteniendo el mando del obturador en la posición OFF. NO pulsar el cebador.

## ANTES DE PARAR

Hacer funcionar el motor por algunos minutos para ayudar a secar toda humedad del motor.

## SI EL ARRANCADOR DE RETROCESO SE HA CONGELADO

Si el arrancador de retroceso se ha congelado y no pone en marcha el motor, hacer lo siguiente:

1. Coger la empuñadura del arrancador de retroceso y tirar lentamente cuanta más cuerda sea posible fuera del arrancador.
2. Soltar la empuñadura del arrancador de retroceso y dejarla ir contra el arrancador.

Si aun así el motor no arranca, repetir los pasos descritos arriba o utilizar el arrancador eléctrico.

## CONSEJOS PARA LANZAR LA NIEVE

- Hacer funcionar siempre la máquina quitanieves con el motor acelerado a todo gas. La máxima aceleración ofrece la mejor prestación de la máquina quitanieves.
- Ir más lentamente en nieve alta, helada o fuertemente mojada. Para regular la velocidad con respecto al suelo, utilizar el mando de velocidad de guía, y NO el acelerador.
- Es más fácil y eficiente despejar la nieve inmediatamente después de que haya caído.
- El mejor momento para despejar la nieve es temprano por la mañana. En este momento la nieve está normalmente seca y no ha sido expuesta directamente al sol y a temperaturas calientes.
- Hacer coincidir cada camino sucesivo para asegurar el despeje de toda la nieve.
- Lanzar la nieve sotavento siempre que sea posible.
- Regular las placas de deslizamiento a la altura adecuada a las actuales condiciones de la nieve. Ver "PARA REGULAR LAS PLACAS DE DESLIZAMIENTO" en esta sección del manual.
- Para nieve considerablemente pesada, reducir la anchura del despeje de nieve sobreponiendo los caminos previos y andando lentamente.

- Mantener el motor limpio y libre de nieve durante el uso. Esto ayudará a hacer pasar aire y prolongará la vida del motor.
- Después de completar el trabajo de despejar nieve, dejar que el motor gire por algunos minutos para derretir nieve y hielo que puedan estar en el motor.
- Limpiar a fondo toda la máquina quitanieves después de cada uso y secarla para que esté lista para el próximo uso.



**ADVERTENCIA:** No hacer funcionar la máquina quitanieves si las condiciones del tiempo deterioran la visibilidad. Despejar nieve durante una fuerte y ventosa tormenta de nieve puede ofuscarles y ser peligroso para un funcionamiento seguro de la máquina quitanieves.

# MANTENIMIENTO

PROGRAMA DE MANTENIMIENTO		FECHAS DE SERVICIO					
		ANTES DE CADA USO	DESPUES DE CADA USO	CADA 25 HORAS O CADA TEMPORADA	CADA 50 HORAS	CADA 100 HORAS	ANTES DEL ALMACENAMIENTO
<b>MÁQUINA</b>	Revisar si hay Sujetadores Suelos	✓					✓
	Limpiar / Inspeccionar el máquina quitanieves		✓				✓
	Cambiar / Revisar las Correas				✓		
	Lubricación			✓		✓	
<b>MOTOR</b>	Revisar el nivel del Aceite	✓					
	Cambiar el Aceite del motor			✓			
	Inspeccionar el Silenciador				✓		
	Cambiar / Revisar la Bujía					✓	
	Vaciar el Depósito del Combustible						✓

## RECOMENDACIONES GENERALES

La garantía de esta maquina quitanieves no cubre los artículos que han estado sujetos al abuso o a la negligencia del operador. Para recibir todo el valor de la garantía, el operador tiene que mantener la maquina quitanieves según las instrucciones descritas en este manual. Hay algunos ajustes que se tienen que hacer en forma periódica para poder mantener su maquina quitanieves adecuadamente. Al menos una vez cada estación comprobar si es necesario efectuar los ajustes descritos en las secciones de Servicio y Ajustes de este manual.

- Una vez al año, cambie la bujía, limpie o cambie el elemento del filtro de aire y revise si la cuchilla está desgastada. Una bujía nueva y un elemento del filtro de aire limpio/nuevo aseguran la mezcla de aire-combustible adecuada y ayudan a que su motor funcione mejor y que dure más.
- Siga el programa de mantenimiento en este manual.

**NOTA:** Usar solo parte originales del equipo del fabricante (OEM) para realizar el mantenimiento de esta unidad. No hacer esto puede causar el funcionamiento incorrecto de la unidad y arriesgar la salud del operador.

## ANTES DE CADA USO

1. Revise el nivel del aceite del motor.
2. Revise si hay sujetadores sueltos.
3. Controlar los mando para asegurarse de que funcionen adecuadamente.

## LUBRICACIÓN

Mantenga el maquina quitanieves bien lubricada (ver la "TABLA DE LUBRICACIÓN").

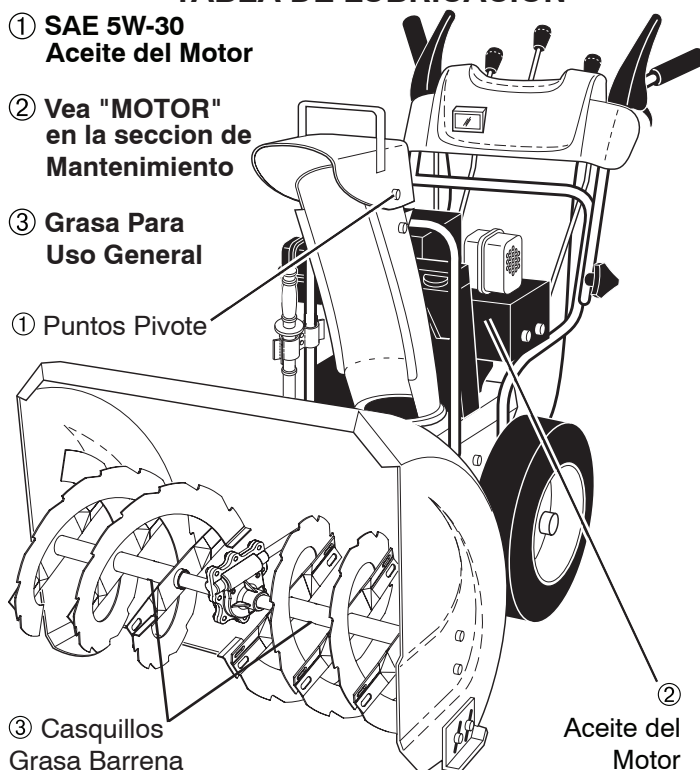
## MAQUINA QUITANIEVES

Siempre observe las reglas de seguridad cuando haga el mantenimiento.

## LLANTAS

- Mantener la presión adecuada en ambos neumáticos (14–17 P.S.I. / 19-24.5 N-m).

## TABLA DE LUBRICACIÓN



① SAE 5W-30 Aceite del Motor

② Vea "MOTOR" en la seccion de Mantenimiento

③ Grasa Para Uso General

① Puntos Pivote

③ Casquillos Grasa Barrena

② Aceite del Motor

- Mantenga las llantas sin gasolina o aceite, que pueden dañar la goma.

**NOTA:** Para sellar los neumáticos y prevenir neumáticos desinflados a causa de pérdidas ligeras, se puede comprar sellador al efecto en el revendedor de partes local. El sellador para neumáticos también previene grietas y corrosión del neumático.



# MANTENIMIENTO

## CORREAS EN V

Controlar el deterioro y el desgaste de las correas en V después de 50 horas de funcionamiento y sustituir si fuera necesario. Las correas no se pueden regular. Sustituir las correas si empiezan a resbalar debido al desgaste. (Ver "QUITAR EL CUBRE CORREAS" en la sección Mantenimiento y Regulaciones de este manual).

Las correas en V de su quitanieve tienen una construcción especial y han de ser sustituidos con correas originales (OEM) disponibles en su revendedor más cercano. Usar otras correas no originales puede causar heridas personales o dañar el quitanieve.

## CAJA DE ENGRANAJES DE LA BARRENA

- La caja de engranajes fue llenada en la fábrica con lubricante hasta el nivel. Se tiene que prestar atención al lubricante sólo si se ha efectuado un mantenimiento a la caja de engranajes.
- Si se requiere lubricante, usar sólo grasa Ronex ED #1.

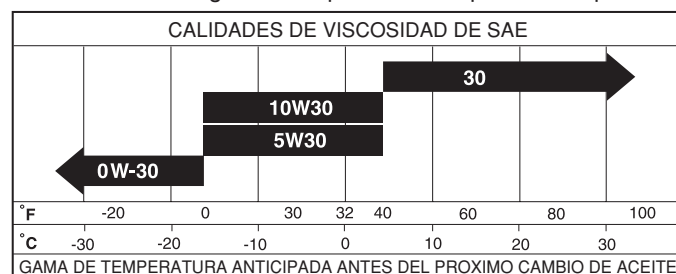
## SISTEMA DE TRACCIÓN

NO lubricar las partes de guía dentro de la máquina quitanieves. Las coronas dentadas, los árboles hexagonales, el disco de guía y la rueda de fricción no necesitan lubricación. Los rodamientos y cojinetes están lubricados a por vida y no necesitan mantenimiento.

**ATENCIÓN: Toda lubricación de las partes descritas arriba puede causar contaminación de la rueda de fricción y dañar el sistema de guía de su máquina quitanieves.**

## MOTOR LUBRICACIÓN

Use solamente aceite de detergente de alta calidad clasificado con la clasificación SG–SL de servicio API. Seleccione la calidad de viscosidad SAE según su temperatura de operación esperada.



**AVISO:** A pesar de que los aceites de multiviscosidad (5W30, 10W30, etc.) mejoran el arranque en clima frío, estos aceites de multiviscosidad van a aumentar el consumo de aceite cuando se usan en temperaturas sobre 32° F. Revise el nivel del aceite del motor más a menudo, para evitar un posible daño en el motor, debido a que no tiene suficiente aceite.

Cambie el aceite después de 25 horas de operación o por lo menos una vez al año si la máquina quitanieves se utiliza menos 25 horas el año.

Revise el nivel del aceite del cárter antes de arrancar el motor y después de cada cinco (5) horas de uso continuado. Apriete el tapón del aceite en forma segura cada vez que revise el nivel del aceite.

## PARA CAMBIAR EL ACEITE DEL MOTOR

Determinar la temperatura anticipada antes de cambiar el aceite. Todo el aceite ha de cumplir con la clasificación SG–SL de mantenimiento API.

- Asegúrese que la máquina quitanieves esté en una superficie nivelada.

- El aceite se drenará más fácilmente si está caliente.
- Recoja el aceite en un envase adecuado.

**NOTA:** Es posible desmontar la rueda del lado izquierdo de la máquina quitanieves para tener un acceso más fácil al tapón de vacío del aceite y para colocar un apropiado contenedor. El inclinar la unidad, que quedará apoyada a la carcasa con la rueda izquierda desmontada, ayudará a vaciar el aceite atrapado dentro del motor. (Ver "PARA DESMONTAR LAS RUEDAS" en la sección de Mantenimiento y Regulaciones de este manual).

1. Quitar la llave de encendido de seguridad y desconecte el alambre de la bujía y póngalo de modo que no pueda entrar en contacto con ésta.
2. Limpiar el área alrededor del tapón de drenaje.
3. Remueva el tapón de drenaje del depósito de aceite y drenaje el aceite en un envase adecuado.
4. Vuelva a poner el tapón de drenaje del depósito de aceite en su lugar y apriételo en forma segura.
5. Limpie todo el aceite derramado en la máquina quitanieves y en el lado del motor.
6. Montar la rueda izquierda (si se ha desmontado para vaciar el aceite). Asegurarse de que se coloque el pasador de lingüete en el orificio apropiado del eje de la rueda (Ver "PARA DESMONTAR LAS RUEDAS" en la sección de Mantenimiento y Regulaciones de este manual).
7. Sacar el tapón / varilla de nivel del depósito de aceite. Atención a no dejar entrar suciedad en el motor.
8. Llenar de aceite el motor a través del tubo de la varilla de nivel del aceite. Verter lentamente. No llenar demasiado. Para la capacidad aproximada ver la sección "ESPECIFICACIONES DEL PRODUCTO" de este manual.
9. Usar el indicador del tapón / varilla de nivel del depósito de aceite para controlar el nivel. Asegurarse de que el tapón de la varilla de nivel esta bien cerrado para una lectura precisa del nivel. Mantener el nivel de aceite sobre la línea "FULL" (lleno) de la varilla de nivel.
10. Limpie todo el aceite derramado.

## SILENCIADOR

Inspeccione y cambie el silenciador si está corroído puede producir un peligro de incendio y/o daño.

## BUJÍA

Cambie el bujía al comienzo de cada temporada de siega o después de cada 100 horas de operación, lo que suceda primero. El tipo de bujía y el ajuste de la abertura aparecen en "ESPECIFICACIONES DEL PRODUCTO" en la sección de Mantenimiento de este manual.

## LIMPIEZA

**IMPORTANTE:** Para obtener el mejor rendimiento, mantenga la caja de la máquina quitanieves sin acumulación de suciedad y basura. Limpin la parte de abajo de su máquina quitanieves después de cada uso.



**ADVERTENCIA: Quitar la llave de encendido de seguridad y desconecte el alambre de la bujía. Póngalo en donde no pueda entrar en contacto con ésta.**

- Mantenga las superficies pulidas y las ruedas sin gasolina, aceite, etc.
- No recomendamos el uso de una manguera de jardín para limpiar la máquina quitanieves a menos que el sistema eléctrico, el silenciador y el carburador estén tapados para evitar que les entre el agua. El agua en el motor puede acortar la duración de éste.

# SERVICIO Y AJUSTES

**ADVERTENCIA:** Para evitar lesiones serias, antes de dar cualquier servicio o de hacer ajustes:

1. Asegurarse de que el acelerador esté en posición STOP.
2. Quitar la llave de encendido de seguridad.
3. Asegúrese que la barrenas y que todas las partes móviles se hayan detenido completamente.
4. Desconecte el alambre de la bujía y póngalo en donde no pueda entrar en contacto con ésta.



## MÁQUINA QUITANIEVES

### PARA AJUSTAR LA ALTURA DE MÁQUINA QUITANIEVES

Ver "REGULAR LAS PLACAS DE DESLIZAMIENTO" y "BARRA DE ARRASTRE" en la sección de Operación de este manual.

### CONDUCTO DEFLECTOR

El conducto deflector, fijado a la parte superior del conducto de eyección, tiene la función de dirigir la nieve de descarga lejos del operador. Si se daña el desviador debe cambiarse.



**ADVERTENCIA:** Para evitar heridas graves, no haga funcionar nunca su máquina quitanieves sin deflector o con el deflector averiado.

- Para cambiar la dirección y/o la distancia a la que se descarga la nieve, ver "PARA CONTROLAR LA EYECCIÓN DE LA NIEVE" en la sección de Funcionamiento de este manual.

### PERNOS DE SEGURIDAD (Ver Fig. 21)

#### PERNOS DE SEGURIDAD DE LA BARRENA

Ambas barrenas, derecha e izquierda, están sujetadas al eje de la barrena por un perno de tope/seguridad y una tuerca hexagonal. Si un objeto extraño o hielo se metieran en las barrenas, los pernos de seguridad están proyectados para romperse, evitando daños a cualquier otra parte. Si una o ambas barrenas no giran cuando se conecta la palanca del mando de la barrena, controlar si uno o ambos pernos se han cortado. Para sustituir los pernos de seguridad:

1. Desconectar todos los mandos y mover el mando del acelerador en la posición de STOP (parado). Atender que todas las partes en movimiento se paren.
2. Quitar la llave de encendido de seguridad y desconecte el alambre de la bujía. Póngalo en donde no pueda entrar en contacto con ésta.
3. Alinear el orificio del cubo de la barrena con el orificio del eje e instalar un nuevo perno de tope/seguridad de 1/4-20 x 2". Colocar una contratuerca de 1/4-20 y apretar firmemente.

**ATENCIÓN:** No sustituir. Usar solamente los pernos de seguridad originales entregados con la máquina quitanieves.

4. Insertar la llave de encendido de seguridad y vuelva a conectar el alambre de la bujía a ésta.

#### PERNOS DE SEGURIDAD DEL IMPULSOR

El impulsor está sujetado al eje del impulsor por dos (2) tornillos de caperuza/pernos de seguridad y tuercas hexagonales. Si un objeto extraño o hielo se metieran en el impulsor, los tornillos

de caperuza están proyectados para romperse, evitando daños a cualquier otra parte. Si el impulsor no gira cuando se conecta la palanca del mando de la barrena, controlar si los tornillos de caperuza se han cortado. Para sustituir los tornillos de caperuza / pernos de seguridad:

1. Desconectar todos los mandos y mover el mando del acelerador en la posición de STOP (parado). Esperar que todas las partes en movimiento se paren.
2. Quitar la llave de encendido de seguridad y desconecte el alambre de la bujía. Póngalo en donde no pueda entrar en contacto con ésta.
3. Alinear el orificio del impulsor con los orificios del eje del impulsor e instalar dos (2) nuevos tornillos de caperuza / pernos de seguridad de 1/4-20 x 1-5/8". Colocar contratuercas de 1/4-20 y apretar firmemente.

**ATENCIÓN:** No sustituir. Usar solamente los tornillos de caperuza / pernos de seguridad originales entregados con la máquina quitanieves.

4. Insertar la llave de encendido de seguridad y vuelva a conectar el alambre de la bujía a ésta.

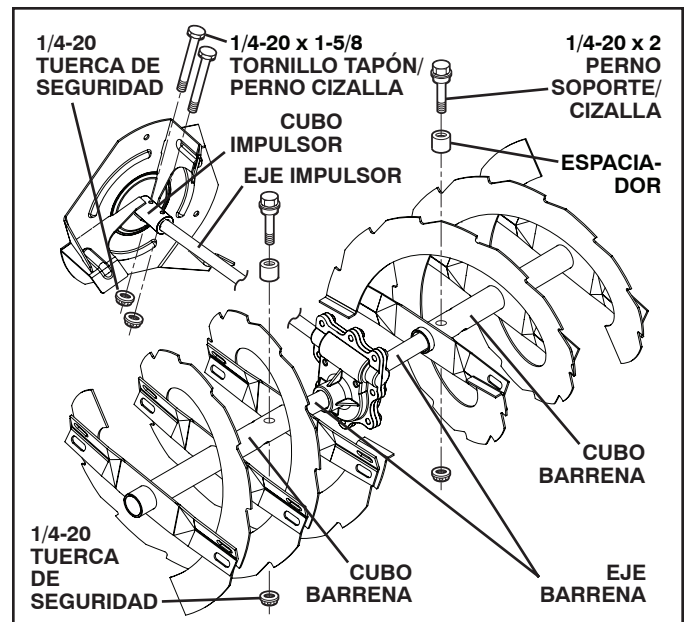


FIG. 21

### DESMONTAR EL CUBRE CORREAS (Ver Fig. 22)

1. Desmontar los dos (2) tornillos que sujetan el cubre correas a la carcasa.
  2. Desmontar el cubre correas.
- Sustituir el cubre correas colocando la cubierta y los tornillos y apretando firmemente.

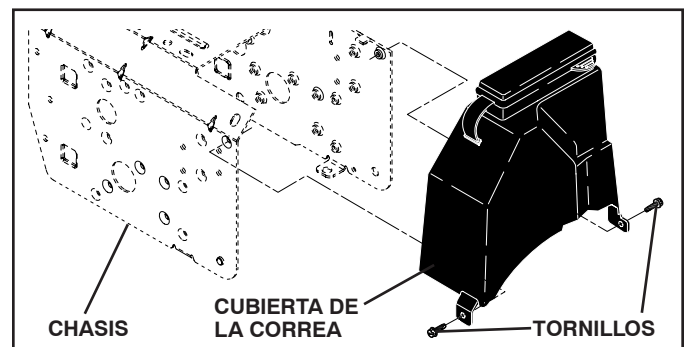


FIG. 22

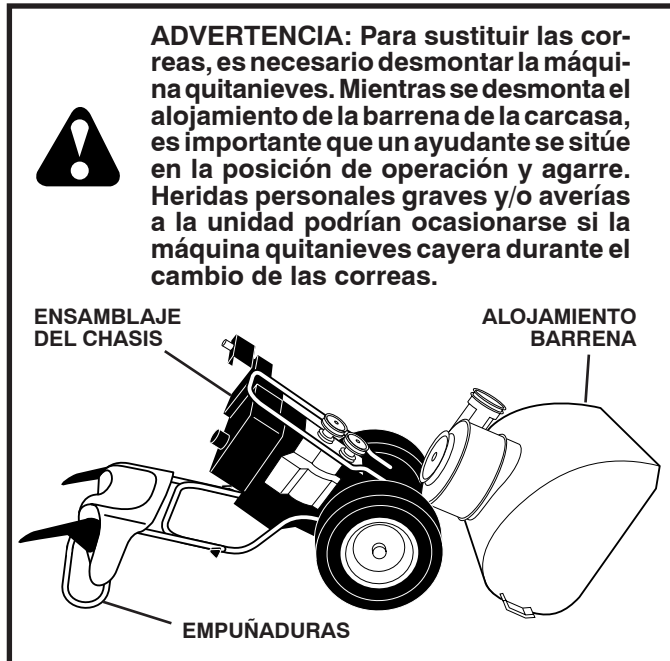
# SERVICIO Y AJUSTES

## SUSTITUIR LAS CORREAS (Vea Fig. 23)

Las correas de la barrena y de la tracción no se pueden regular. Si las correas están dañadas o empiezan a resbalar por el desgaste, se tendrían que sustituir. Se recomienda que la(s) correa(s) sean sustituidas por el Centro de Piezas y Reparación Sears.

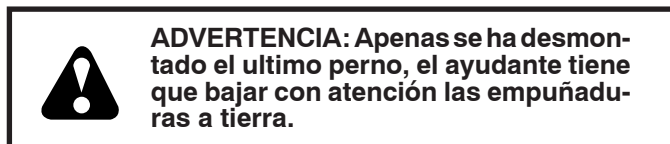
**NOTA:** Se recomienda que se sustituyan al mismo tiempo las correas de la barrena y de la tracción.

Las correas en V de su quitanieve tienen una construcción especial y han de ser sustituidos con correas originales (OEM) disponibles en su Centro de Piezas y Reparación Sears más cercano. Usar otras correas no originales puede causar heridas personales o dañar el quitanieve.



**ADVERTENCIA:** Para sustituir las correas, es necesario desmontar la máquina quitanieves. Mientras se desmonta el alojamiento de la barrena de la carcasa, es importante que un ayudante se sitúe en la posición de operación y agarre. Heridas personales graves y/o averías a la unidad podrían ocasionarse si la máquina quitanieves cayera durante el cambio de las correas.

1. VACIAR LA GASOLINA DEL DEPÓSITO DE CARBURANTE – Vaciar la gasolina del depósito del carburante en un contenedor apropiado, al exterior, lejos de fuego o llamas. Limpiar toda gasolina derramada.
2. DESMONTAR EL CONDUCTO DE EYECCIÓN – Aflojar la contratuerca que asegura la cabeza giratoria del conducto al soporte de montaje lo suficiente para poder levantar la cabeza giratoria del conducto y desmontar el conducto de eyección de la máquina quitanieves.
3. DESMONTAR EL CUBRE CORREAS – Ver “DESMONTAR EL CUBRE CORREAS” en esta sección del manual.
4. DESMONTAR LA POLEA DEL MOTOR - Desmontar el perno, la arandela de freno y la arandela plana que aseguran la polea de transmisión al árbol del motor. Desmontar del árbol sólo la polea de transmisión externa (de la barrena).
5. DESMONTAR LA MÁQUINA QUITANIEVES – Con su ayudante en la posición de operación y agarrando las empuñaduras, desmontar los dos (2) pernos que sujetan el alojamiento de la barrena a la carcasa.



6. VACIAR LA PERNO DEL BARRA DEL EMBRAGUE y vaciar la barra embrague del placa del oscilación. Pivot la placa del oscilación delantero.
7. DESMONTAR LA CORREA DE LA BARRENA de alrededor de la polea de transmisión.

8. AFLOJAR EL TENSOR DE LA CORREA DE TRACCIÓN y desmontar la correa de tracción de alrededor de las poleas de transmisión.

**CONSEJO:** Insertar un perforador de trinquete de 3/8” (en la posición “ON”) en el orificio cuadrado del brazo del tensor y hacer girar el perforador de trinquete en el sentido de las agujas del reloj para aflojar el tensión.

9. Con la tensión aflojado, colocar una nueva correa de tracción alrededor de la polea de transmisión y dentro de la protección de la correa.
10. MONTAR la barra embrague del placa del oscilación; asegúrela con la perno.
11. Colocar la correa de la barrena alrededor y dentro de la ranura de la polea de transmisión de la barrena exclusivamente.
12. Mientras el ayudante levanta lentamente las empuñaduras hasta acoplar nuevamente el alojamiento de la barrena y la carcasa, levante la correa de la barrena y apretar los lados juntos sobre la polea de transmisión así que la correa se asiente completamente en la ranura de la polea de transmisión.
13. Acabar de montar la máquina quitanieves completamente y controlar atentamente el apropiado recorrido de las correas. Si la correa de la barrena se ha separado de la polea de transmisión (atrapándose en el alojamiento del brazo del tensor mientras se montaba la máquina quitanieves), desmontar la máquina quitanieves y repetir el punto 12. La correa tiene que estar completamente asentada en la ranura de la polea de transmisión cuando se monta de nuevo la máquina quitanieves.
14. Colocar los dos (2) pernos hexagonales y arandelas de freno y apretar firmemente.
15. MONTAR LA POLEA DE TRANSMISIÓN DEL MOTOR – Colocar la correa en la ranura de la polea y hacer deslizar la polea sobre el árbol. Colocar la arandela plana, la arandela de freno y el perno y apretar firmemente 35-40 ft. lbs. (41-47 N-m de par). Asegurarse que la correa esté dentro de la protección de la correa.
16. COLOCAR EL CUBRE CORREAS y dos (2) tornillos. Apretar firmemente.
17. MONTAR EL CONDUCTO DE EYECCIÓN – Ver “MONTAR el conducto de eyección / CABEZA giratoria DEL CONDUCTO” en la sección de Montaje de este manual.

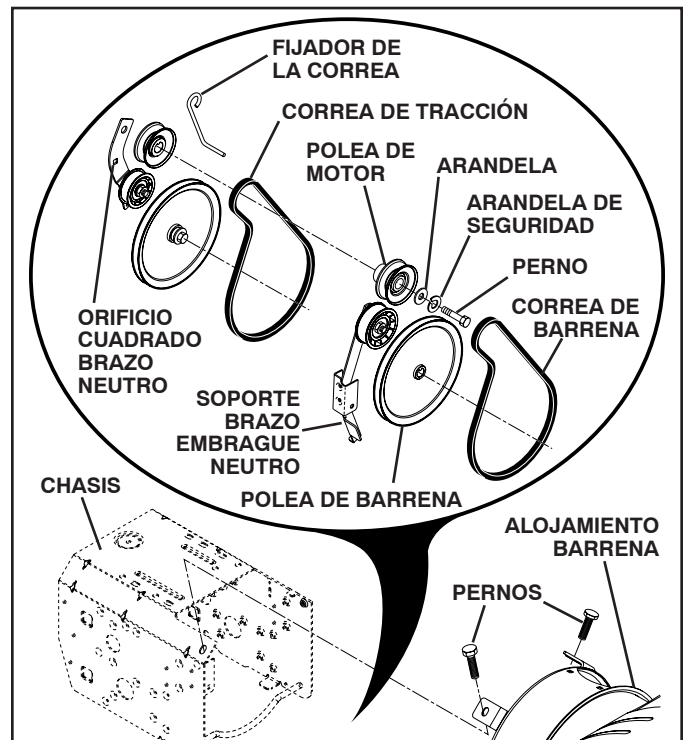


FIG. 23



## DESMONTAR LAS RUEDAS (Ver Fig. 24)

- Desmontar el perno de lingüete y desmontar la rueda del eje.

**IMPORTANTE:** Cuando se instala la rueda, asegurarse de usar el orificio más interno en el eje y el orificio del cubo de la rueda. Para desconectar el sistema de mando de las ruedas (para empujar o transportar el quitanieve), quitar el perno de lingüete del cubo de la rueda e introducir el perno en el orificio de más externo del eje.

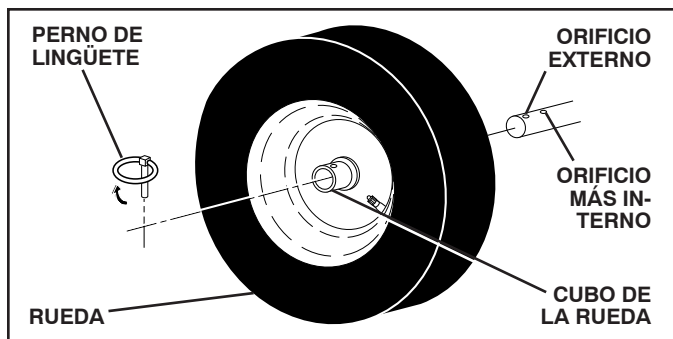


FIG. 24

**NOTA:** Para arreglar pinchazos a los neumáticos y prevenir neumáticos desinflados a causa de pérdidas lentas, se puede comprar al representante de partes de recambio local un compuesto sellador para neumáticos. El compuesto sellador también previene que los neumáticos se sequen o corrompan.

## MOTOR CARBURADOR

Su carburador no es ajustable. Las prestaciones del motor no son afectadas por la altitud hasta 7000 pies (2,134 metros). Si su motor no está funcionando en forma adecuada debido a problemas que se sospecha vienen del carburador, lleve su máquina quitanieves a contacto con su Centro de Piezas y Reparación Sears para repararla y/o ajustarla.

## ACELERACIÓN DE MOTOR

Nunca manipule el regulador del motor, el que ha sido ajustado en la fábrica para la velocidad del motor adecuada. Puede ser peligroso hacer funcionar el motor a una velocidad por sobre el ajuste de alta velocidad de la fábrica. Si cree que la velocidad alta regulada del motor necesita ajuste, contacto con su Centro de Piezas y Reparación Sears, el que cuenta con el equipo adecuado y la experiencia para hacer los ajustes necesarios.

# ALMACENAMIENTO

Inmediatamente prepare su máquina quitanieves para el almacenamiento al final de cada temporada o si la unidad no se va a usar por 30 días o más.



**PRECAUCIÓN:** Nunca almacene la máquina quitanieves con gasolina en el depósito dentro de un edificio en donde los gases pueden alcanzar una llama expuesta o una chispa, una chispa o una luz piloto como en un horno, calentadores de agua, secadoras de ropa o aparatos de gas. Permita que se enfríe el motor antes de almacenarla en algún recinto cerrado.

## MÁQUINA QUITANIEVES

Cuando se va a guardar la máquina quitanieves por cierto período de tiempo, límpiela cuidadosamente, remueva toda la mugre, la grasa, las hojas, etc. Guárdela en un área limpia y seca.

1. Limpie toda la máquina quitanieves (Ver "LIMPIEZA" en la sección de Mantenimiento de este manual).
2. Inspeccionar y sustituir las correas, si es necesario (Ver "SUSTITUIR LAS CORREAS" en la sección de Mantenimiento y Regulaciones de este manual).
3. Lubríquela según se muestra en la sección de Mantenimiento de este manual.
4. Asegúrese de que todas las tuercas y clavijas y todos los pernos y tornillos estén apretados en forma segura. Inspeccione las partes que se mueven para verificar si están dañadas, quebradas o desgastadas. Cámbielas si es necesario.
5. Retoque todas las superficies que estén oxidadas o con la pintura picada; use una lija antes de pintar.

## MOTOR SISTEMA DE COMBUSTIBLE

**IMPORTANTE:** Es importante evitar que se formen depósitos de goma en partes fundamentales del sistema de combustible tales como el carburador, el filtro del combustible, la manguera del combustible o en el estanque durante el almacenamiento. Los combustibles mezclados con alcohol (conocido como gasohol o que tienen etanol o metanol) pueden atraer humedad, lo que conduce a la separación y a la formación de ácidos durante el almacenamiento. La gasolina ácida puede dañar el sistema de combustible de un motor durante el período de almacenamiento.

- Vaciar el depósito del carburante poniendo en marcha el motor y dejándolo funcionar hasta que el carburante termine y el carburador esté vacío.
- Nunca use los productos para limpieza del carburador o del motor en el estanque de combustible pues se pueden producir daños permanentes.
- Use combustible nuevo la próxima temporada.

**AVISO:** El estabilizador de combustible es una alternativa aceptable para reducir a un mínimo la formación de depósitos de goma en el combustible durante el período de almacenamiento. Agregue estabilizador a la gasolina en el estanque de combustible o en el envase para el almacenamiento. Siempre siga la proporción de mezcla que se encuentra en el envase del estabilizador. Haga funcionar el motor por lo menos 10 minutos después de agregar el estabilizador, para permitir que este llegue al carburador. No drene la gasolina del estanque de gasolina y el carburador si se está usando estabilizador de combustible.

## ACEITE DEL MOTOR

Drene el aceite (con el motor caliente) y cámbielo con aceite de motor limpio. (Ver "MOTOR" en la sección de Mantenimiento de este manual.)

## CILINDRO

1. Remueva la bujía.
2. Vacíe una onza (29 ml) de aceite a través del agujero de la bujía en el cilindro.
3. Tire la manilla de arranque retroceso lentamente unas cuantas veces para distribuir el aceite.
4. Cambie por una bujía nueva.

## OTROS

- Quitar la llave de encendido de seguridad; guardar en un lugar seguro.
- No guarde la gasolina de una temporada a la otra.
- Cambie el envase de la gasolina si se empieza a oxidar. La oxidación y/o la mugre en su gasolina producirán problemas.
- Si es posible, guarde su máquina quitanieves en un recinto cerrado y cúbrala para protegerla contra el polvo y la mugre.
- Cubra su máquina quitanieves con un forro protector adecuado que no retenga la humedad. No use plástico. El plástico no puede respirar, lo que permite la formación de condensación, lo que producirá la oxidación de su máquina quitanieves.

**IMPORTANTE:** Nunca cubra la máquina quitanieves mientras el motor y las áreas de escape todavía están calientes.

# IDENTIFICACION DE PROBLEMAS

Ve a la sección apropiada en el manual amenos que esté dirigido a un centro de asistencia calificado.

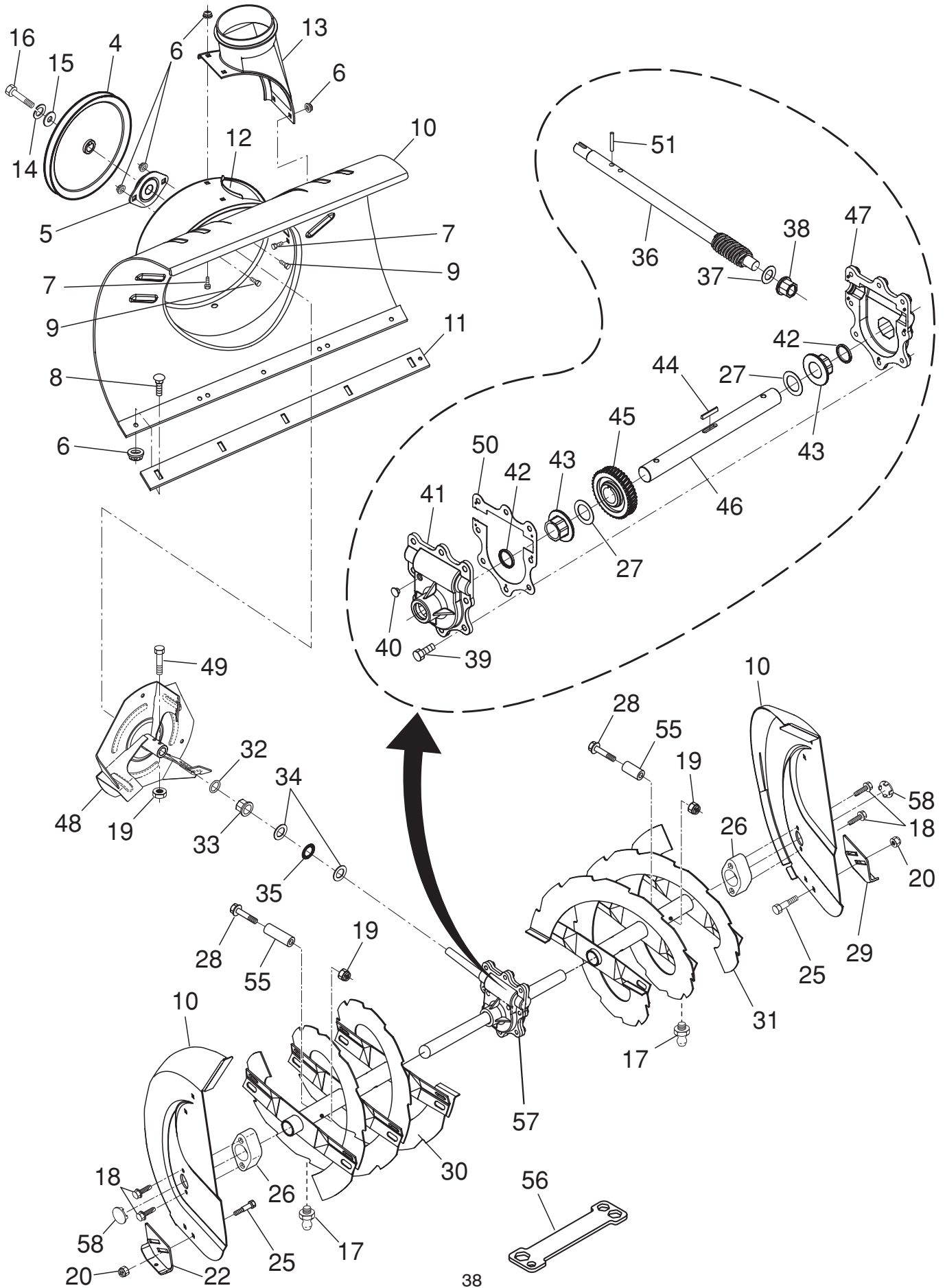
PROBLEMA	CAUSA	CORRECCIÓN
<b>No arranca</b>	<ol style="list-style-type: none"> <li>Válvula del combustible está OFF.</li> <li>La llave de encendido de seguridad no está puesta.</li> <li>Sin combustible.</li> <li>Acelerador en posición de STOP (o interruptor de ON / OFF está OFF).</li> <li>Obturador en posición OFF.</li> <li>El cebador no está presionado.</li> <li>El motor está ahogado.</li> <li>Alambre de la bujía desconectado.</li> <li>Bujía mala.</li> <li>Combustible rancio.</li> <li>Agua en el combustible.</li> </ol>	<ol style="list-style-type: none"> <li>Gire a la válvula del combustible a la posición ON.</li> <li>Poner la llave de encendido de seguridad.</li> <li>Llene el estanque de combustible.</li> <li>Meter el acelerador en posición FAST (o meter el interruptor de ON / OFF en posición ON).</li> <li>Poner en posición FULL.</li> <li>Usar el cebador como descrito en la sección de Funcionamiento de este manual.</li> <li>Esperar algunos minutos antes de volver a arrancar, NO utilizar el cebador.</li> <li>Conecte el alambre a la bujía.</li> <li>Cambie la bujía.</li> <li>Drene el estanque de combustible y vuelva a llenar el estanque con gasolina nueva.</li> <li>Drene el estanque de combustible y vuelva a llenar el estanque con gasolina nueva.</li> </ol>
<b>Falta de fuerza</b>	<ol style="list-style-type: none"> <li>Bujía de encendido suelta.</li> <li>Lanzamiento excesivo de nieve.</li> <li>El tapón del depósito del carburante está obstruido de hielo y nieve.</li> <li>Silenciador sucio u obstruido.</li> </ol>	<ol style="list-style-type: none"> <li>Volver a conectar la bujía de encendido.</li> <li>Reducir la velocidad y la anchura de barrido.</li> <li>Quitar hielo y nieve en y del tapón del depósito de carburante.</li> <li>Limpiar o sustituir el silenciador.</li> </ol>
<b>El motor marcha lentamente o de manera irregular</b>	<ol style="list-style-type: none"> <li>El obturador está en la posición FULL.</li> <li>Obstrucción en el conducto de carburante.</li> <li>Combustible rancio.</li> <li>Agua en el combustible.</li> <li>Se necesita regular o revisar el carburador.</li> </ol>	<ol style="list-style-type: none"> <li>Meter el obturador en la posición OFF.</li> <li>Limpiar el conducto de carburante.</li> <li>Drene el estanque de combustible y vuelva a llenar el estanque con gasolina nueva.</li> <li>Drene el estanque de combustible y vuelva a llenar el estanque con gasolina nueva.</li> <li>Contactar un centro de asistencia calificado.</li> </ol>
<b>Vibración excesiva</b>	<ol style="list-style-type: none"> <li>Partes sueltas o barrenas o impulsor dañados.</li> </ol>	<ol style="list-style-type: none"> <li>Apretar todos los cerrojos. Sustituir las partes averiadas. Si la vibración persiste, contactar un centro de asistencia calificado.</li> </ol>
<b>Cordón arrancador difícil de tirar</b>	<ol style="list-style-type: none"> <li>Arrancador de retroceso congelado.</li> </ol>	<ol style="list-style-type: none"> <li>Ve a "SI EL ARRANCADOR DE RETROCESO SE HA CONGELADO" en la sección de Funcionamiento de este manual.</li> </ol>
<b>Pérdida de impulsión o retardase de la velocidad</b>	<ol style="list-style-type: none"> <li>Desgaste de la correa.</li> <li>La correa de mando</li> <li>La correa de guía se ha gastado.</li> </ol>	<ol style="list-style-type: none"> <li>Revise/cambie la correa de impulsión.</li> <li>Revise/vuelva a instalar la correa de impulsión. está fuera de la polea.</li> <li>Contactar un centro de asistencia calificado.</li> </ol>
<b>Pérdida de eyección de nieve o aflojamiento de la eyección de nieve</b>	<ol style="list-style-type: none"> <li>La correa de las barrenas está fuera de la polea.</li> <li>La correa de las barrenas está desgastada.</li> <li>Conducto de eyección obturado.</li> <li>Barrenas / impulsor atascados.</li> </ol>	<ol style="list-style-type: none"> <li>Controlar / sustituir la correa de las barrenas.</li> <li>Controlar / sustituir la correa de las barrenas.</li> <li>Limpiar el conducto de la nieve.</li> <li>Quitar escombros u objetos extraños de las barrenas / impulsor.</li> </ol>



# REPAIR PARTS

# SNOW THROWER - MODEL NUMBER 96194000602

## AUGER HOUSING / IMPELLER ASSEMBLY



**REPAIR PARTS****SNOW THROWER - MODEL NUMBER 96194000602****AUGER HOUSING / IMPELLER ASSEMBLY**

KEY NO.	PART NO.	DESCRIPTION
4	191079	Pulley, Impeller
5	188909	Bearing Assembly, Flange
6	155377	Nut, Hex Flange 5/16-18
7	180355	Bolt, Flat Head, Carriage 5/16-18 x 5/8
8	72270505	Bolt, Carriage 5/16-18 x 5/8
9	163183	Bolt, Hex Head
10	404929X428	Housing, Auger
11	404932X428	Bar, Scraper
12	178675X008	Bracket, Corner Discharge
13	175322	Base, Discharge Chute
14	10040500	Washer, Lock 5/16
15	19111507	Washer, Flat
16	74940516	Screw, Hex Head 5/16-18 x 3/4
17	405637	Grease Fitting
18	179582	Screw, Hex Head 5/16 x 1
19	73800400	Nut, Hex Lock 1/4-20
20	155377	Nut, Hex Lock 5/16-18
22	178777X479	Skid Plate, RH
25	72270506	Bolt, Carriage 5/16-18 x 3/4
26	174658	Retainer, Plastic
27	174697	Washer, Thrust, 1"
28	198636	Bolt, Shear
29	174762X479	Skid Plate, LH
30	<b>405977X479</b>	Auger Assembly, RH
31	<b>405976X479</b>	Auger Assembly, LH
32	407768	O-Ring
33	407769	Bushing, Flange 3/4
34	174681	Washer, Thrust 3/4
35	174684	Bearing, Thrust 3/4
36	407757	Shaft, Impeller
37	174683	Washer, Thrust 5/8
38	407758	Bushing, Flange 5/8
39	407767	Screw, Hex Head 5/16-18 x 3/4
40	407760	Plug, Case
41	407761	Housing, Gearbox, RH
42	407770	Seal, Oil
43	407762	Bushing, Flange, 1"
44	189282	Key, Square 1/4 x 1/4 x 7/8
45	407763	Gear, Worm
46	407764	Shaft, Auger
47	407765	Housing, Gearbox, LH
48	175321X479	Impeller Assembly
49	74780426	Screw, Hex Head 1/4-20 x 1-5/8
50	407766	Gasket, Gearbox
51	7836M	Pin, Roll 3/16 x 1-1/8
55	198638	Spacer
56	180684	Multi-Wrench
57	196710	Gearbox Assembly
58	411939	Plug, Bearing Hole

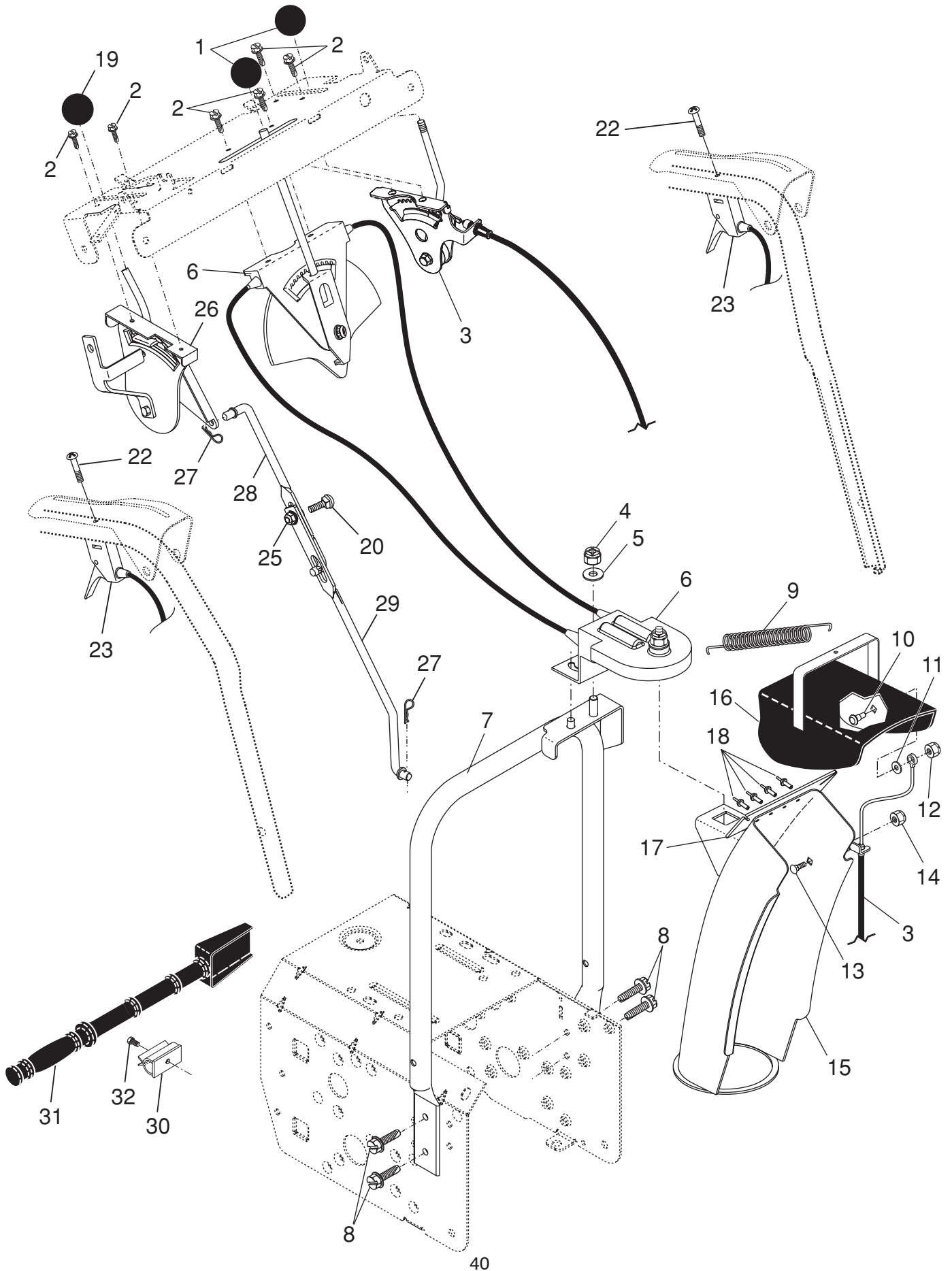
**NOTE:** All component dimensions given in U.S. inches. 1 inch = 25.4 mm

**IMPORTANT:** Use only Original Equipment Manufacturer (O.E.M.) replacement parts. Failure to do so could be hazardous, damage your snow thrower and void your warranty.

# REPAIR PARTS

# SNOW THROWER - MODEL NUMBER 96194000602

## CONTROL PANEL / DISCHARGE CHUTE



# REPAIR PARTS                      SNOW THROWER - MODEL NUMBER 96194000602

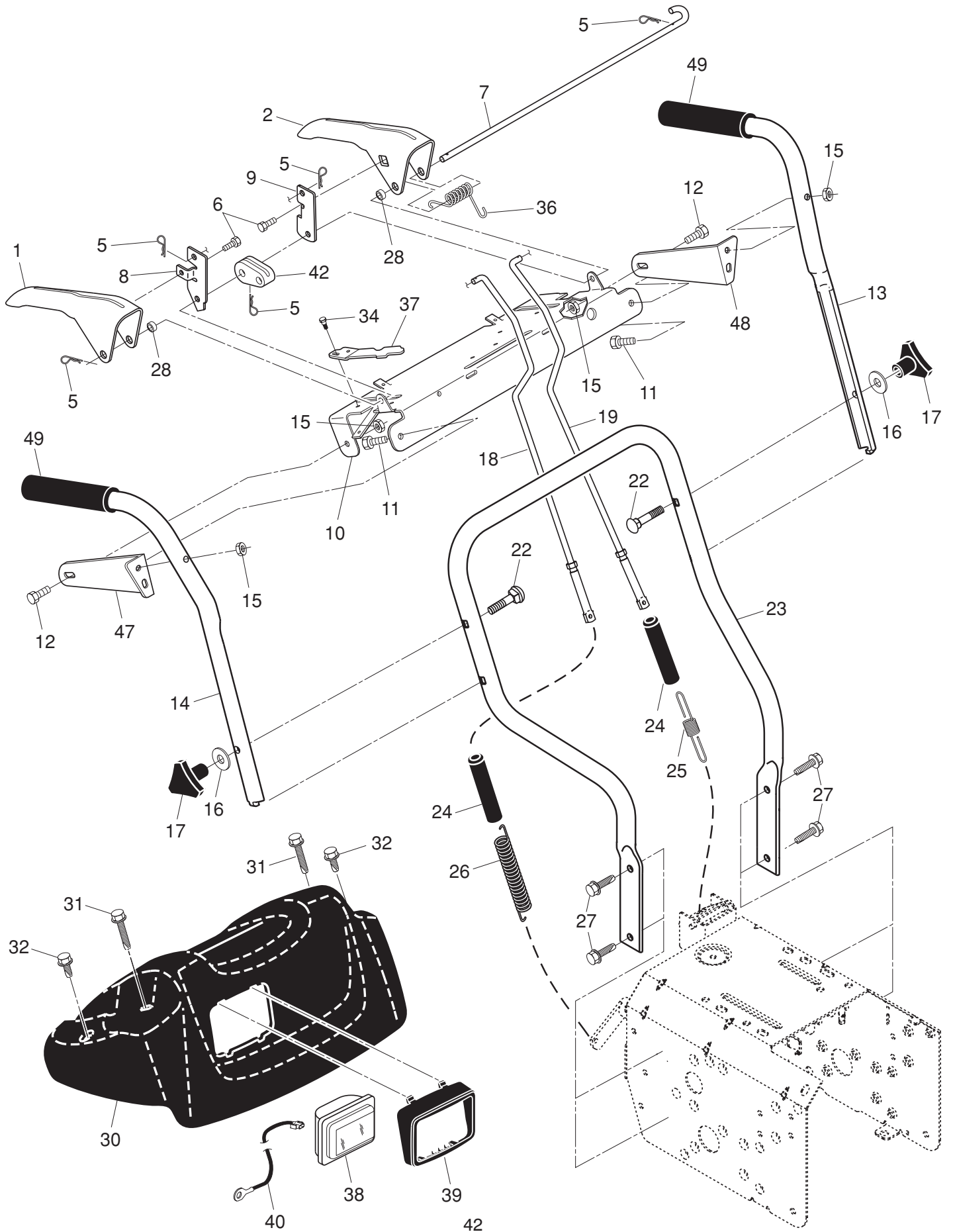
## CONTROL PANEL / DISCHARGE CHUTE

KEY NO.	PART NO.	DESCRIPTION
1	414280	Knob, Lever
2	17501010	Screw #10-24 x 5/8
3	198475	Control Assembly, Deflector
4	73800600	Nut, Lock 3/8-16
5	19131316	Washer, Flat 3/8
6	404974	Control Assembly, Chute Rotator
7	405784X479	Support, Pivot
8	150078	Screw, Hex Head 5/16-18 x 3/4
9	184505	Spring, Deflector
10	179829	Bolt, Shoulder
11	179246	Washer, Nylon, Friction
12	191730	Nut, Lock 1/4-20
13	72270505	Bolt, Carriage 5/16-18 x 5/8
14	751153	Nut, Lock 5/16-18
15	404770X428	Chute Assembly
16	178633X428	Deflector Assembly
17	179145	Seal, Deflector
18	128415	Rivet, Blind
19	414281	Knob, Speed Control Lever
20	72270506	Bolt, Carriage 5/16-18 x 3/4
22	74041024	Screw, Hex Head #10-24 x 1-1/2
23	188303	Control Assembly, Power Steering
25	155377	Nut, Lock 5/16-18
26	198474	Lever Assembly, Speed Control
27	169675	Retainer, Hairpin
28	180445	Rod, Upper, Speed Control
29	187716	Rod, Lower, Speed Control
30	405400	Clip, Clean-Out Tool
31	192199	Tool, Clean-Out
34	194189	Screw

**NOTE:** All component dimensions given in U.S. inches. 1 inch = 25.4 mm  
**IMPORTANT:** Use only Original Equipment Manufacturer (O.E.M.) replacement parts.  
 Failure to do so could be hazardous, damage your snow thrower and void your warranty.

# REPAIR PARTS HANDLES

SNOW THROWER - MODEL NUMBER 96194000602





# REPAIR PARTS HANDLES

# SNOW THROWER - MODEL NUMBER 96194000602

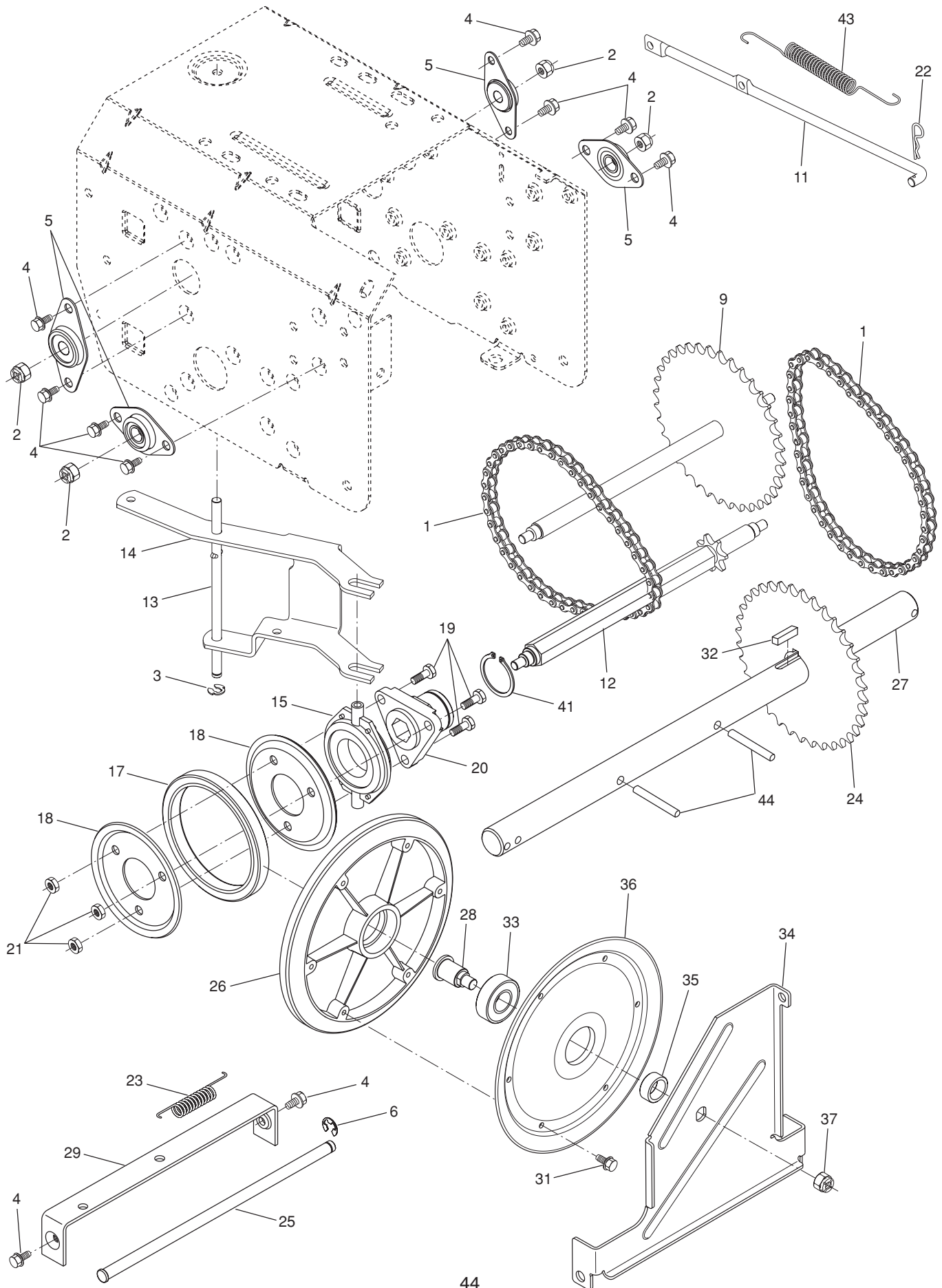
KEY NO.	PART NO.	DESCRIPTION
1	412682X479	Lever, Auger Control, RH
2	412681X479	Lever, Traction Drive Control, LH
5	169675	Retainer, Hairpin
6	17060408	Screw, Hex Head 1/4-20 x 1/2
7	412677	Rod, Interlock
8	196333X008	Arm, Impeller Rod
9	412679X008	Arm, Traction Rod
10	412683X479	Panel, Control
11	74780524	Screw, Hex Head 5/16-18 x 1-1/2
12	74780512	Screw, Hex Head 5/16-18
13	414517X479	Handle Tube, LH (Includes Grip)
14	414516X479	Handle Tube, RH (Includes Grip)
15	751153	Nut, Lock 5/16-18
16	19131316	Washer, Flat 3/8
17	178899	Knob, Handle
18	180480	Rod, Auger Control
19	405740	Rod, Traction Control
22	72120618	Bolt, Carriage 3/8-16 x 2-1/4
23	401940X479	Handle Tube, Lower
24	180447	Sleeve, Spring
25	180926	Spring, Traction Drive
26	178669	Spring, Auger Control
27	17000616	Screw, Hex Head 3/8-16 x 1
28	412680	Spacer
30	182906	Console, Panel
31	175262	Screw, Hex Head, Tapping #10-24 x 1-1/4
32	184471	Screw, Hex Head, Tapping #10-24 x 1/2
34	17060410	Screw
36	178831	Spring, Torsion, Lever
37	412675X004	Spring, Interlock
38	180927	Headlight, Flood (Includes Bulb)
--	183784	Bulb, Flood
39	178668	Bezel, Headlight
40	178770	Harness, Headlight (Flood)
42	414572	Lever, Interlock
47	196944	Mounting Bracket, Control Panel, RH
48	196943	Mounting Bracket, Control Panel, LH
49	199513	Grip, Handle

**NOTE:** All component dimensions given in U.S. inches. 1 inch = 25.4 mm  
**IMPORTANT:** Use only Original Equipment Manufacturer (O.E.M.) replacement parts.  
 Failure to do so could be hazardous, damage your snow thrower and void your warranty.

# REPAIR PARTS

# SNOW THROWER - MODEL NUMBER 96194000602

## DRIVE



# REPAIR PARTS DRIVE

# SNOW THROWER - MODEL NUMBER 96194000602

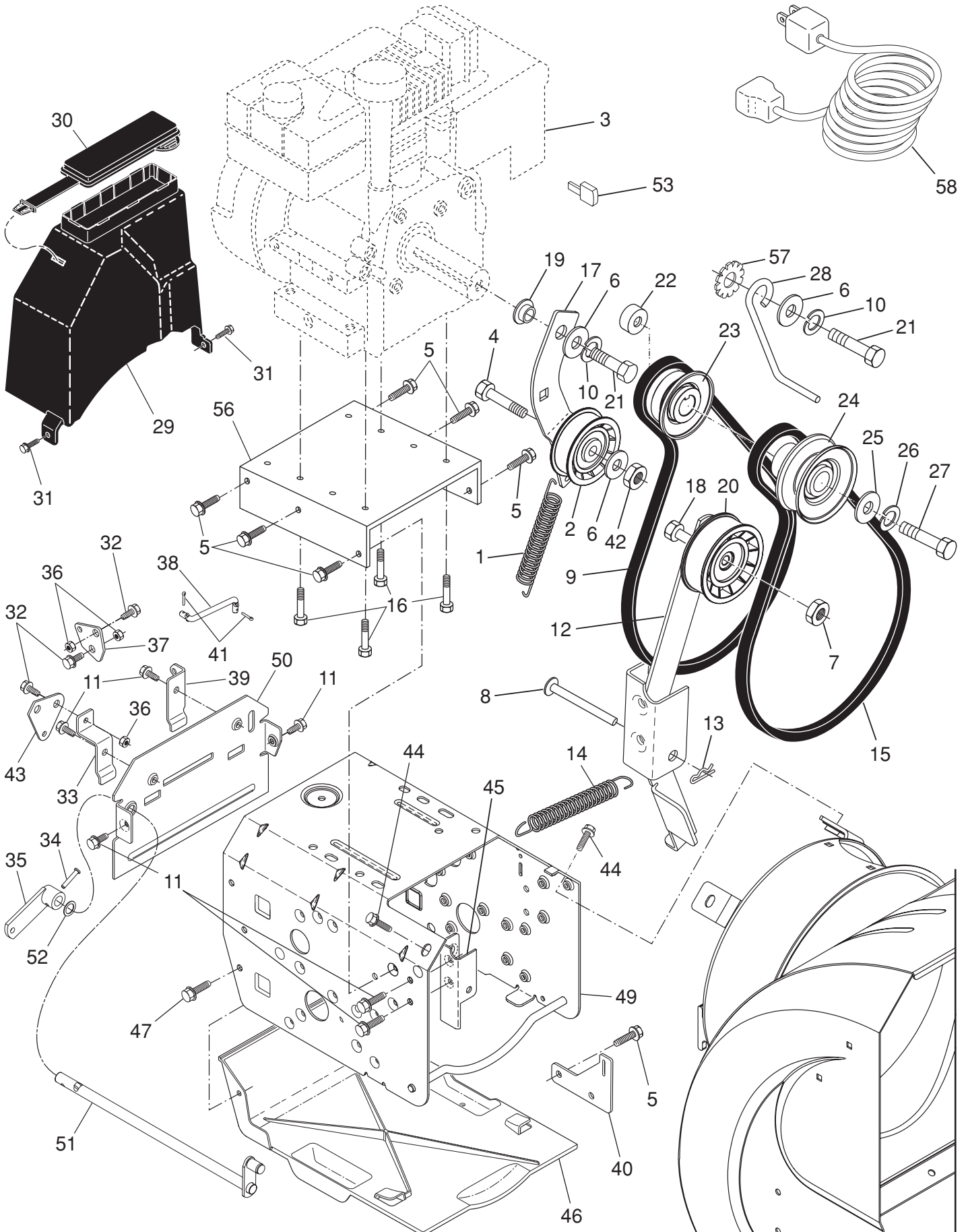
KEY NO.	PART NO.	DESCRIPTION
1	401619	Chain, Drive
2	751153	Nut, Lock 5/16-18
3	402882	Clip, Retainer
4	17490508	Bolt, Hex Head 5/16-18 x 1/2
5	408981	Bearing, Flange
6	12000007	E-Ring, Retainer
9	402855	Sprocket & Shaft Assembly
11	402568	Rod, Clutch
12	402187	Shaft, Hex
13	402310	Pivot Rod, Shifter
14	401732	Yoke, Shifter
15	175344	Trunnion Bearing Assembly
17	178613	Hub, Rubber Wheel
18	198176X479	Plate, Rubber Wheel
19	74760514	Screw, Hex Head 5/16-18 x 7/8
20	179831	Ring, Rubber Wheel
21	73930500	Nut, Lock 5/16-18
22	169675	Retainer, Hairpin
23	180135	Spring, Bias
24	402691	Sprocket, Axle Shaft
25	402652	Pivot Rod, Swing Plate
26	401820	Plate, Drive
27	404307	Axle Shaft Assembly
28	402504	Shaft, Friction Pulley
29	401984X479	Bracket, Shifter, Speed
31	17541008	Screw, Cap Head
32	189282	Key, Square
33	198791	Bearing, Ball
34	402394	Plate, Swing
35	402511	Spacer, Bearing
36	402393	Pulley, Friction
37	132010	Nut, Lock 5/16-18
41	12000012	Ring, Retaining
43	402878	Spring, Return
44	9465M	Pin, Roll

**NOTE:** All component dimensions given in U.S. inches. 1 inch = 25.4 mm  
**IMPORTANT:** Use only Original Equipment Manufacturer (O.E.M.) replacement parts.  
Failure to do so could be hazardous, damage your snow thrower and void your warranty.

# REPAIR PARTS

# SNOW THROWER - MODEL NUMBER 96194000602

## CHASSIS / ENGINE / PULLEYS



**REPAIR PARTS****SNOW THROWER - MODEL NUMBER 96194000602****CHASSIS / ENGINE / PULLEYS**

<b>KEY NO.</b>	<b>PART NO.</b>	<b>DESCRIPTION</b>	<b>KEY NO.</b>	<b>PART NO.</b>	<b>DESCRIPTION</b>
1	414557	Spring, Traction Idler	27	851084	Screw, Hex Head 3/8-24 x 1-3/8
2	180522	Pulley, Idler (2-1/4)	28	155452	Guide, Belt
3	---	Engine, Tecumseh, Model Number LH358SA (For engine service and replacement parts, call Tecumseh Products at 1-800-558-5402)	29	192213	Belt Cover Assembly (Includes Toolbox Cover)
4	74780520	Screw, Hex Head 5/16-18 x 1-1/4	30	178830	Cover, Toolbox
5	150078	Screw	31	17490408	Screw, Hex Head 1/4-20 x 1/2
6	59289	Washer, Flat	32	402881	Bolt, Shoulder 5/16-18
7	166785	Nut, Jam, Lock 5/16-18	33	403096X004	Bellcrank Shifter
8	175330	Pin, Idler Pivot	34	198580	Clevis Pin
9	<b>416954</b>	V-Belt, Traction Drive	35	405485	Arm, Auger Control
10	10040500	Washer, Lock 5/16	36	191730	Locknut, Hex
11	17490508	Screw, Hex Washer Head 5/16-18 x 1/2	37	402856X004	Plate, Clutch
12	410420	Impeller Arm Assembly	38	187101	Link, Speed Control
13	85179	Retainer, Hairpin	39	<b>416717X004</b>	Bracket, Clutch
14	178828	Spring, Brake	40	<b>413429X479</b>	Bracket, Traction
15	408007	V-Belt, Impeller Drive	41	700279	Hairpin, Cotter 3/32 x 1/2
16	150406	Screw, Hex Head 3/8-16 x 1-1/4	42	73930500	Locknut, Hex
17	187786	Arm, Idler	43	403097X004	Plate, Shifter
18	74780524	Screw, Hex Head 5/16-18 x 1-1/2	44	17000616	Screw, Hex Head
19	175331	Bushing, Idler Pivot	45	175324X479	Pivot Bracket, Impeller Idler Arm
20	180523	Pulley, Idler (2-3/4)	46	410877	Pan, Frame Bottom
21	74610516	Screw, Hex Head 5/16-24 x 1	47	184471	Screw
22	409475	Spacer, Engine Pulley	49	409346X428	Frame Assembly
23	180478	Pulley, Engine, Traction Drive	50	402685X428	Plate, Frame End
24	179157	Pulley, Engine, Impeller Drive	51	406109	Shaft, Auger Control
25	400026	Washer, Flat 3/8	52	57079	Washer, Hardened
26	850263	Washer, Lock 3/8	53	35062	Key, Safety
			56	417014X428	Mounting Plate, Engine
			57	11050500	Washer, Lock, External Tooth
			58	198563	Power Cord

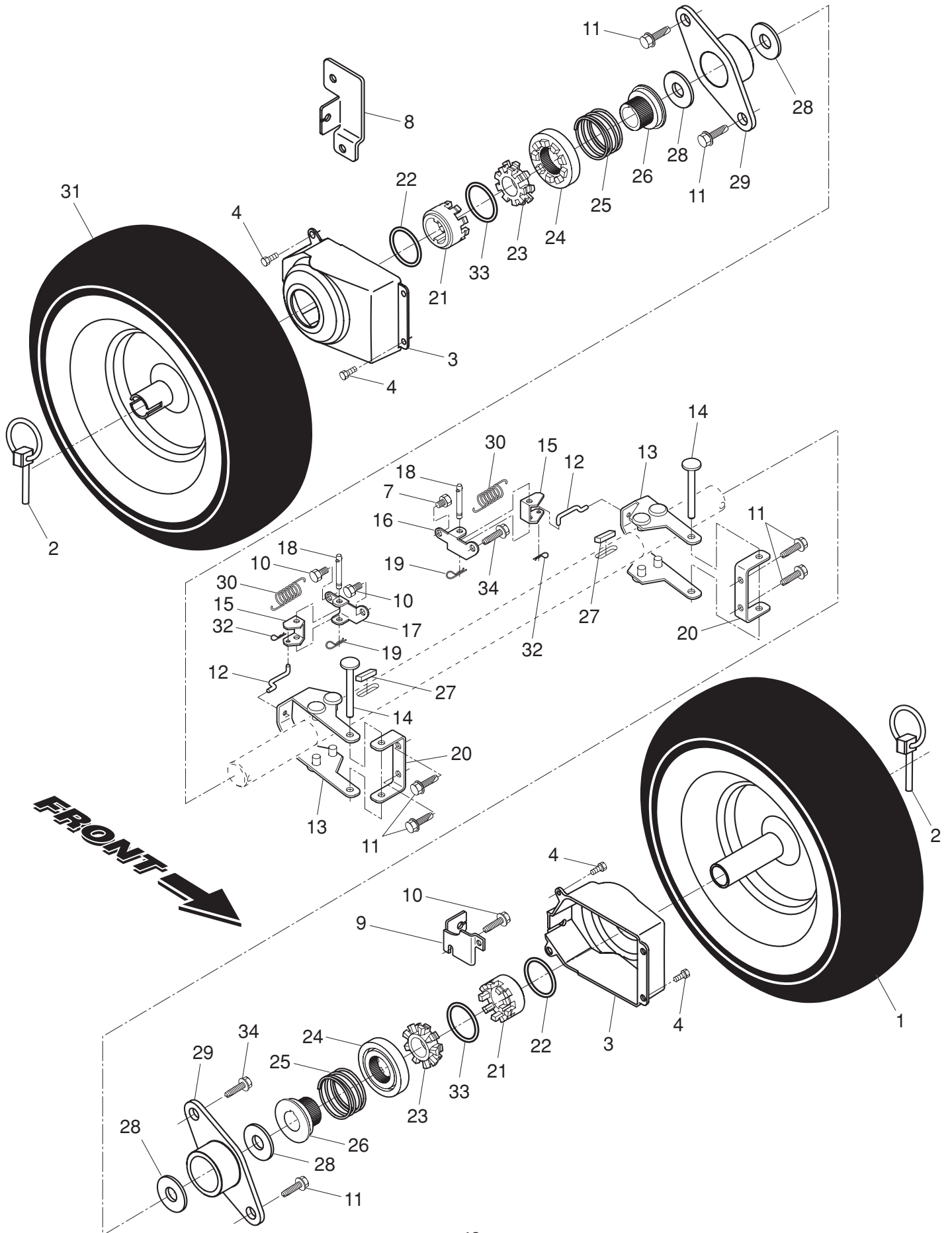
**NOTE:** All component dimensions given in U.S. inches. 1 inch = 25.4 mm

**IMPORTANT:** Use only Original Equipment Manufacturer (O.E.M.) replacement parts. Failure to do so could be hazardous, damage your snow thrower and void your warranty.



# REPAIR PARTS WHEELS

## SNOW THROWER - MODEL NUMBER 96194000602



# REPAIR PARTS WHEELS

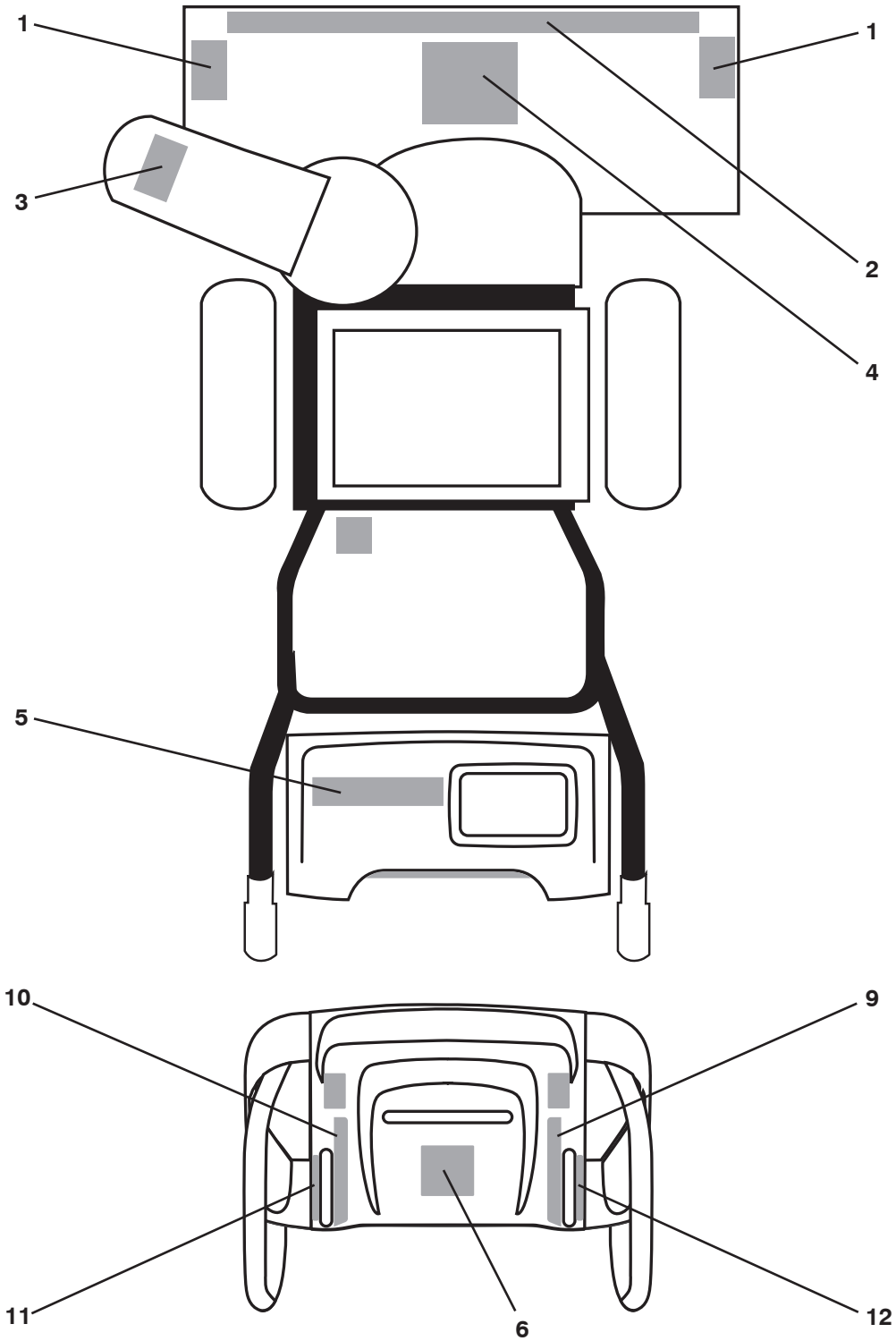
# SNOW THROWER - MODEL NUMBER 96194000602

KEY NO.	PART NO.	DESCRIPTION
1	192092X417	Wheel Assembly, 16", with Power Steering, LH
2	155443	Pin, Klik 1/4
3	405161	Cover, Power Steering
4	184471	Screw, Shoulder, Hex Head #10-24 x 1/2
7	17060410	Screw, Hex Head 1/4-20 x 5/8
8	410294	Bracket, Steering Cable, RH
9	410293	Bracket, Steering Cable, LH
10	17600406	Screw, Hex Head 1/4-20 x 1/2
11	17490508	Screw, Hex Head 5/16-18 x 1/2
12	405077	Link, Steering Lever
13	193506X479	Lever Assembly, Steering
14	182015	Pin, Steering Lever
15	194944X008	Bellcrank
16	194939X008	Bracket Assembly, LH Steering
17	194943X008	Bracket Assembly, RH Steering
18	181847	Pin, Steering Bellcrank
19	85179	Retainer, Hairpin
20	179148X479	Bracket, Lever Assembly
21	192126	Driver, Wheel
22	182466	Ring, Wire Retainer
23	187622	Lobe, Wheel
24	194941	Slide, Clutch
25	179139	Spring, Clutch Slide
26	194940	Lobe, Axle
27	189282	Key, Square 1/4 x 1/4 x 7/8
28	174697	Washer, Thrust (1")
29	179830	Bearing, Axle
30	193885	Spring, Return, Steering Latch
31	192093X417	Wheel Assembly, 16", with Power Steering, RH
32	700279	Clip, Retainer
33	12000045	Ring, Retaining
34	146315	Screw, Tapping, Hex Head 5/16-18 x 3/4

**NOTE:** All component dimensions given in U.S. inches. 1 inch = 25.4 mm  
**IMPORTANT:** Use only Original Equipment Manufacturer (O.E.M.) replacement parts.  
 Failure to do so could be hazardous, damage your snow thrower and void your warranty.

**REPAIR PARTS  
DECALS**

**SNOW THROWER - MODEL NUMBER 96194000602**



# REPAIR PARTS DECALS

# SNOW THROWER - MODEL NUMBER 96194000602

KEY NO.	PART NO.	DESCRIPTION
1	181038	Decal, Danger
2	193262	Decal, Poulan, 10.5 HP / 27"
3	181034	Decal, Danger, Deflector
4	181041	Decal, Danger
5	183879	Decal, Poulan
6	181032	Decal, Instruction
9	415476	Decal, Speed Control
10	183729	Decal, Remote Deflector
11	415399	Decal, LH Trigger
12	415398	Decal, RH Trigger
--	<b>406045</b>	Owner's Manual, English / Spanish

**NOTE:** All component dimensions given in U.S. inches. 1 inch = 25.4 mm  
**IMPORTANT:** Use only Original Equipment Manufacturer (O.E.M.) replacement parts.  
Failure to do so could be hazardous, damage your snow thrower and void your warranty.

## LIMITED WARRANTY

The Manufacturer warrants to the original consumer purchaser that this product as manufactured is free from defects in materials and workmanship. For a period of two (2) years from date of purchase by the original consumer purchaser, we will repair or replace, at our option, without charge for parts or labor incurred in replacing parts, any part which we find to be defective due to materials or workmanship. This Warranty is subject to the following limitations and exclusions.

1. This warranty does not apply to the engine or components parts thereof. Please refer to the applicable manufacturer's warranty on these items.
2. Transportation charges for the movement of any power equipment unit or attachment are the responsibility of the purchaser. Transportation charges for any parts submitted for replacement under this warranty must be paid by the purchaser unless such return is requested by the manufacturer.
3. The Warranty period for any products used for rental or commercial purposes is limited to 90 days from the date of original purchase.
4. This Warranty applies only to products which have been properly assembled, adjusted, operated, and maintained in accordance with the instructions furnished. This Warranty does not apply to any product which has been subjected to alteration, misuse, abuse, improper assembly or installation, delivery damage, or to normal wear of the product.
5. Exclusions: Excluded from this Warranty are belts, shear pins, normal wear, normal adjustments, standard hardware and normal maintenance.
6. In the event you have a claim under this Warranty, you must return the product to an authorized service dealer.

Should you have any unanswered questions concerning this Warranty, please contact:

Poulan  
Customer Service Department  
1030 Stevens Creek Road  
Augusta, GA 30907 USA

In Canada contact:  
Poulan, Customer Service Department  
5855 Terry Fox Way  
Mississauga, Ontario  
L5V 3E4

giving the complete mfg. ID#, serial number and date of purchase of your product and the name and address of the authorized dealer from whom it was purchased.

THIS WARRANTY DOES NOT APPLY TO INCIDENTAL OR CONSEQUENTIAL DAMAGES AND ANY IMPLIED WARRANTIES ARE LIMITED TO THE SAME TIME PERIODS STATED HEREIN FOR OUR EXPRESSED WARRANTIES. Some areas do not allow the limitation of consequential damages or limitations of how long an implied Warranty may last, so the above limitations or exclusions may not apply to you. This Warranty gives you specific legal rights, and you may have other rights which vary from locale to locale.

This is a limited Warranty within the meaning of that term as defined in the Magnuson-Moss Act of 1975.

# Poulan



## Free Manuals Download Website

<http://myh66.com>

<http://usermanuals.us>

<http://www.somanuals.com>

<http://www.4manuals.cc>

<http://www.manual-lib.com>

<http://www.404manual.com>

<http://www.luxmanual.com>

<http://aubethermostatmanual.com>

Golf course search by state

<http://golfingnear.com>

Email search by domain

<http://emailbydomain.com>

Auto manuals search

<http://auto.somanuals.com>

TV manuals search

<http://tv.somanuals.com>