

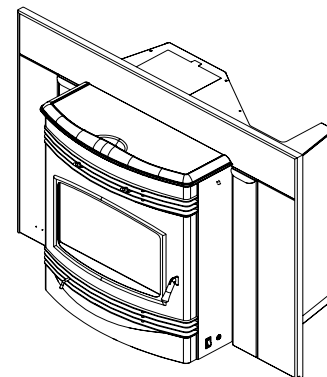
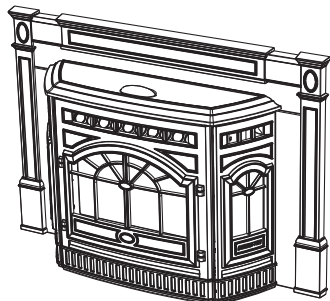
QUADRA-FIRE®

CASTILE & SANTA FE PELLET INSERT



Owner's Manual Installation and Operation

Models:
CASTILEI-CE-MBK
SANTAFEI-CE-MBK



NOTICE



DO NOT DISCARD THIS MANUAL

- Important operating and maintenance instructions included.
- Read, understand and follow these instructions for safe installation and operation.
- Leave this manual with party responsible for use and operation.



WARNING



Please read this entire manual before installation and use of this pellet fuel-burning room heater. Failure to follow these instructions could result in property damage, bodily injury or even death.

- Do not store or use gasoline or other flammable vapors and liquids in the vicinity of this or any other appliance.
- Do not overfire - If any external part starts to glow, you are overfiring. Reduce feed rate. Overfiring will void your warranty.
- Comply with all minimum clearances to combustibles as specified. Failure to comply may cause house fire.

WARNING



HOT SURFACES!

Glass and other surfaces are hot during operation AND cool down.

Hot glass will cause burns.

- Do not touch glass until it is cooled
 - NEVER allow children to touch glass
 - Keep children away
 - CAREFULLY SUPERVISE children in same room as fireplace.
 - Alert children and adults to hazards of high temperatures.
- High temperatures may ignite clothing or other flammable materials.**
- Keep clothing, furniture, draperies and other flammable materials away.

CAUTION

Fuel Type: Wood Pellets, less than 38mm in length, 6mm to 8mm in diameter.

Burning of any other type of fuel voids your warranty.

CAUTION

Check building codes prior to installation.

- All local regulations, including those referring to national and European standards need to be complied with when installing the appliance.
- Consult local fire officials or authorities having jurisdiction about restrictions, installation inspection, and permits.

Congratulations 

and Welcome to the Quadra-Fire Family!

Hearth & Home Technologies welcomes you to our tradition of excellence! In choosing a Quadra-Fire appliance, you have our assurance of commitment to quality, durability, and performance.



This commitment begins with our research of the market, including 'Voice of the Customer' contacts, ensuring we make products that will satisfy your needs. Our Research and Development facility then employs the world's most advanced technology to achieve the optimum operation of our stoves, inserts

and fireplaces. And yet we are old-fashioned when it comes to craftsmanship. Each unit is meticulously fabricated and surfaces are hand-finished for lasting beauty and enjoyment. Our pledge to quality is completed as each model undergoes a quality control inspection.

We wish you and your family many years of enjoyment in the warmth and comfort of your hearth appliance. Thank you for choosing Quadra-Fire.

NOTE: Consult insurance carrier, local building inspector, fire officials or authorities having jurisdiction over restrictions, installation inspection and permits.



		 1445 North Highway - Colville, WA 99114 - USA
SANTA FE CE PELLET INSERT		
Nominal heat output: Puissance nominale: Nominaal vermogen:	Max: 7,7 kW Min: 3,0 kW	
CO emission (at 13% O2): Des émissions de CO (à 13% O2): CO-uitstoot (bij 13% O2):	Max: 0,003% Min: 0,018%	
Efficiency: Efficacité: Efficiëntie:	Max: 83,6% Min: 82,7%	
Flue gas temperature: Température des fumées: Rookgastemperatuur:	161°C	
Max electrical power supply: Max approvisionnement électrique: Max elektrische voeding:	470 W	
Rated Voltage: Tension nominale: Nominale spanning:	230 V - 50 Hz	
Safety clearance distance (back): Distance de dégagement de sécurité (retour): Veiligheidsafstand afstand (terug):	N/A	
Safety clearance distance (side): Distance de dégagement de sécurité (côté): Veiligheidsafstand afstand (zijde):	410 mm	


Use only recommended fuels. Utilisez uniquement des combustibles recommandés. Gebruik alleen aanbevolen brandstoffen.


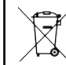

Read and follow the operating instructions! Lisez et suivez les instructions d'utilisation! Lees en volg de gebruiksaanwijzing!

SERIAL NO. / NUMÉRO DE SÉRIE / SERIENUMMER
007031

2011 2012 2013 JAN FEB MAR APR MAY JUN JUL AUG SEP OCT NOV DEC

7069-100



		 1445 North Highway - Colville, WA 99114 - USA
CASTILE CE PELLET INSERT		
Nominal heat output: Puissance nominale: Nominaal vermogen:	Max: 7,7 kW Min: 3,0 kW	
CO emission (at 13% O2): Des émissions de CO (à 13% O2): CO-uitstoot (bij 13% O2):	Max: 0,003% Min: 0,018%	
Efficiency: Efficacité: Efficiëntie:	Max: 83,6% Min: 82,7%	
Flue gas temperature: Température des fumées: Rookgastemperatuur:	161°C	
Max electrical power supply: Max approvisionnement électrique: Max elektrische voeding:	470 W	
Rated Voltage: Tension nominale: Nominale spanning:	230 V - 50 Hz	
Safety clearance distance (back): Distance de dégagement de sécurité (retour): Veiligheidsafstand afstand (terug):	N/A	
Safety clearance distance (side): Distance de dégagement de sécurité (côté): Veiligheidsafstand afstand (zijde):	410 mm	

Use only recommended fuels. Utilisez uniquement des combustibles recommandés. Gebruik alleen aanbevolen brandstoffen.

Read and follow the operating instructions! Lisez et suivez les instructions d'utilisation! Lees en volg de gebruiksaanwijzing!

SERIAL NO. / NUMÉRO DE SÉRIE / SERIENUMMER
007029

2011 2012 2013 JAN FEB MAR APR MAY JUN JUL AUG SEP OCT NOV DEC

7071-100

Safety Alert Key:

- **DANGER!** Indicates a hazardous situation which, if not avoided will result in death or serious injury.
- **WARNING!** Indicates a hazardous situation which, if not avoided could result in death or serious injury.
- **CAUTION!** Indicates a hazardous situation which, if not avoided, could result in minor or moderate injury.
- **NOTICE:** Indicates practices which may cause damage to the appliance or to property.

TABLE OF CONTENTS

Congratulations2
 Sample of Safety/Serial Numer Label2
 Safety Alert Key.....3
 Limited Warranty4-5

Section 1: Listing and Code Approvals

A. Appliance Certifications.....6
 B. Glass Specifications.....6
 C. Electrical Rating6
 D. Specifications.....6

User's Guide

Section 2: Operating Instructions

A. Fire Safety.....7-8
 B. Combustible/Non-Combustible Material.....8
 C. Fuel Material & Fuel Storage8
 D. General Operation Information.....9
 E. Before Your First Fire.....9
 F. Filling the Hopper with Fuel.....9
 G. Starting Your First Fire.....10
 H. Fire Characteristics10
 I. Flame Height Adjustment (Feed Rate).....10
 J. Ignition Cycles.....11
 K. Clear Space11

Section 3: Maintaining & Servicing Appliance

A. Proper Shutdown Procedures.....12
 B. Quick Reference Maintenance Chart.....12
 C. General Maintenance & Cleaning12-15
 D. High Ash Fuel Content Maintenance16

Section 4: Troubleshooting for Homeowner

A. Frequently Asked Questions.....17

Installer's Guide

Section 5: Getting Started

A. Design, Installation & Location Considerations and Floor Support18
 B. Thermostat Location19

C. Tools & Supplies Needed.....19
 D. Inspect Appliance and Components19
 E. Pre-Burn Checklist19

Section 6: Dimensions & Clearances

A. Appliance Dimensions.....20
 B. Clearance to Combustibles, Masonry & Zero Clearance21
 C. Minimum Opening for Masonry and Factory-Built Fireplace21
 D. Floor Protection.....21
 E. Prefabricated Metal Chimney.....21

Section 7: Vent Information

A. Venting Termination Requirements.....22
 B. Avoiding Smoke and Odors22-23
 C. Negative Pressure.....23
 D. Draft23
 E. Chimney & Exhaust Connection24
 F. Pellet Venting Charts25

Section 8: Vent Systems

A. Full Reline with Outside Air-Horizontal.....26
 B. Full Reline without Outside Air-Vertical.....27

Section 9: Appliance Set-Up

A. Leveling System.....28
 B. Outside Air Installation28
 C. Door Handle Removal.....29
 D. Door Removal29
 E. Adjustable Hearth Support.....29
 F. Hearth Support, Standard Surround30-31
 G. Surround & Trim Set, Econo31
 H. Surround Cast Trim Set32
 I. Panel and Trim Set33
 J. Log Set Placement (Optional).....34
 K. Thermostat Installation.....35

Contact Information.....36

**Hearth & Home Technologies Inc.
LIMITED LIFETIME WARRANTY**

Hearth & Home Technologies Inc., on behalf of its hearth brands ("HHT"), extends the following warranty for HHT gas, wood, pellet, coal and electric hearth appliances that are purchased from an HHT authorized dealer.

WARRANTY COVERAGE:

HHT warrants to the original owner of the HHT appliance at the site of installation, and to any transferee taking ownership of the appliance at the site of installation within two years following the date of original purchase, that the HHT appliance will be free from defects in materials and workmanship at the time of manufacture. After installation, if covered components manufactured by HHT are found to be defective in materials or workmanship during the applicable warranty period, HHT will, at its option, repair or replace the covered components. HHT, at its own discretion, may fully discharge all of its obligations under such warranties by replacing the product itself or refunding the verified purchase price of the product itself. The maximum amount recoverable under this warranty is limited to the purchase price of the product. This warranty is subject to conditions, exclusions and limitations as described below.

WARRANTY PERIOD:

Warranty coverage begins on the date of installation. In the case of new home construction, warranty coverage begins on the date of first occupancy of the dwelling or six months after the sale of the product by an independent, authorized HHT dealer/ distributor, whichever occurs earlier. The warranty shall commence no later than 24 months following the date of product shipment from HHT, regardless of the installation or occupancy date. The warranty period for parts and labor for covered components is produced in the following table.

The term "Limited Lifetime" in the table below is defined as: 20 years from the beginning date of warranty coverage for gas appliances, and 10 years from the beginning date of warranty coverage for wood, pellet, and coal appliances. These time periods reflect the minimum expected useful lives of the designated components under normal operating conditions.

Warranty Period		HHT Manufactured Appliances and Venting							Components Covered
Parts	Labor	Gas	Wood	Pellet	EPA Wood	Coal	Electric	Venting	
1 Year		X	X	X	X	X	X	X	All parts and material except as covered by Conditions, Exclusions, and Limitations listed
2 years				X	X	X			Igniters, electronic components, and glass
		X	X	X	X	X			Factory-installed blowers
				X					Molded refractory panels
3 years				X					Firepots and burnpots
5 years	1 year			X	X				Castings and baffles
7 years	3 years		X	X	X				Manifold tubes, HHT chimney and termination
10 years	1 year	X							Burners, logs and refractory
Limited Lifetime	3 years	X	X	X	X	X			Firebox and heat exchanger
90 Days		X	X	X	X	X	X	X	All replacement parts beyond warranty period

See conditions, exclusions, and limitations on next page.

WARRANTY CONDITIONS:

- This warranty only covers HHT appliances that are purchased through an HHT authorized dealer or distributor. A list of HHT authorized dealers is available on the HHT branded websites.
- This warranty is only valid while the HHT appliance remains at the site of original installation.
- Contact your installing dealer for warranty service. If the installing dealer is unable to provide necessary parts, contact the nearest HHT authorized dealer or supplier. Additional service fees may apply if you are seeking warranty service from a dealer other than the dealer from whom you originally purchased the product.
- Check with your dealer in advance for any costs to you when arranging a warranty call. Travel and shipping charges for parts are not covered by this warranty.

WARRANTY EXCLUSIONS:

This warranty does not cover the following:

- Changes in surface finishes as a result of normal use. As a heating appliance, some changes in color of interior and exterior surface finishes may occur. This is not a flaw and is not covered under warranty.
- Damage to printed, plated, or enameled surfaces caused by fingerprints, accidents, misuse, scratches, melted items, or other external sources and residues left on the plated surfaces from the use of abrasive cleaners or polishes.
- Repair or replacement of parts that are subject to normal wear and tear during the warranty period. These parts include: paint, wood, pellet and coal gaskets; firebricks; grates; flame guides; and the discoloration of glass.
- Minor expansion, contraction, or movement of certain parts causing noise. These conditions are normal and complaints related to this noise are not covered by this warranty.
- Damages resulting from: (1) failure to install, operate, or maintain the appliance in accordance with the installation instructions, operating instructions, and listing agent identification label furnished with the appliance; (2) failure to install the appliance in accordance with local building codes; (3) shipping or improper handling; (4) improper operation, abuse, misuse, continued operation with damaged, corroded or failed components, accident, or improperly/incorrectly performed repairs; (5) environmental conditions, inadequate ventilation, negative pressure, or drafting caused by tightly sealed constructions, insufficient make-up air supply, or handling devices such as exhaust fans or forced air furnaces or other such causes; (6) use of fuels other than those specified in the operating instructions; (7) installation or use of components not supplied with the appliance or any other components not expressly authorized and approved by HHT; (8) modification of the appliance not expressly authorized and approved by HHT in writing; and/or (9) interruptions or fluctuations of electrical power supply to the appliance.
- Non-HHT venting components, hearth components or other accessories used in conjunction with the appliance.
- Any part of a pre-existing fireplace system in which an insert or a decorative gas appliance is installed.
- HHT's obligation under this warranty does not extend to the appliance's capability to heat the desired space. Information is provided to assist the consumer and the dealer in selecting the proper appliance for the application. Consideration must be given to appliance location and configuration, environmental conditions, insulation and air tightness of the structure.

This warranty is void if:

- The appliance has been over-fired or operated in atmospheres contaminated by chlorine, fluorine, or other damaging chemicals. Over-firing can be identified by, but not limited to, warped plates or tubes, rust colored cast iron, bubbling, cracking and discoloration of steel or enamel finishes.
- The appliance is subjected to prolonged periods of dampness or condensation.
- There is any damage to the appliance or other components due to water or weather damage which is the result of, but not limited to, improper chimney or venting installation.

LIMITATIONS OF LIABILITY:

- The owner's exclusive remedy and HHT's sole obligation under this warranty, under any other warranty, express or implied, or in contract, tort or otherwise, shall be limited to replacement, repair, or refund, as specified above. In no event will HHT be liable for any incidental or consequential damages caused by defects in the appliance. Some states do not allow exclusions or limitation of incidental or consequential damages, so these limitations may not apply to you. This warranty gives you specific rights; you may also have other rights, which vary from state to state. EXCEPT TO THE EXTENT PROVIDED BY LAW, HHT MAKES NO EXPRESS WARRANTIES OTHER THAN THE WARRANTY SPECIFIED HEREIN. THE DURATION OF ANY IMPLIED WARRANTY IS LIMITED TO DURATION OF THE EXPRESSED WARRANTY SPECIFIED ABOVE.

1 Listing and Code Approvals

A. Appliance Certification

Model	Castile or Santa Fe Pellet Insert Appliance
Type	Residential Space heating appliance fired by wood pellets
Standard	EN 14785:2006



B. Glass Specifications

This appliance is equipped with 5mm ceramic glass. Replace glass only with 5mm ceramic glass. Please contact your dealer for replacement glass.

C. Electrical Rating

230 VAC, 50 Hz, Start 2.80 Amps, Run 0.80 Amps

NOTE: Some generator or battery back-up systems may not be compatible with the micro-processor electronics on this appliance. Please consult the power supply manufacturer for compatible systems.

NOTICE: Hearth & Home Technologies, manufacturer of this appliance, reserves the right to alter its products, their specifications and/or price without notice.

D. Specifications

Distance to Adjacent Combustion Materials:	Standoff to Side: 410mm Standoff to Header: 305mm
CO Concentration at 13% O₂ (mg/m³):	Max: 0.003% Min: 0.030%
Flue Gas Temperature:	161°C
*Thermal Output:	Max: 6.3 kW Min: 3.0 kW
Energy Efficiency:	Max: 75.1% Min: 75.0%
Heating Capacity:	220m ² to 350m ²
Hopper Capacity:	18 kg
Fuels:	Wood Pellets, less than 38mm in length, 6mm to 8mm in diameter
Shipping Weight:	109 kg, add 18 kg when the hopper is full

*Thermal output will vary, depending on the type of fuel you use in your appliance. Consult your Quadra-Fire dealer for best results.

WARNING! Risk of Fire! *Hearth & Home Technologies disclaims any responsibility for, and the warranty and agency listing will be voided by the following actions.*

DO NOT:

- Install or operate damaged appliance
- Modify appliance
- Use as an incinerator or any other different way from which it was conceived
- Install other than as instructed by *Hearth & Home Technologies*
- Operate the appliance without fully assembling all components
- Overfire
- Install any component not approved by *Hearth & Home Technologies*
- Install parts or components not Listed or approved.

Improper installation, adjustment, alteration, service or maintenance can cause injury or property damage.

For assistance or additional information, consult a qualified installer, service agency or your dealer.

Quadra-Fire is a registered trademark of *Hearth & Home Technologies*

User's Guide

2 Operating Instructions

WARNING



HOT SURFACES!

Glass and other surfaces are hot during operation AND cool down.

Hot glass will cause burns.

- Do not touch glass until it is cooled
- NEVER allow children to touch glass
- Keep children away
- CAREFULLY SUPERVISE children in same room as appliance.
- Alert children and adults to hazards of high temperatures.

High temperatures may ignite clothing or other flammable materials.

- Keep clothing, furniture, draperies and other flammable materials away.

WARNING! Do not operate appliance before reading and understanding the operating instructions in the Owner's Manual. Failure to operate appliance according to operating instructions could cause fire or injury.

A. Fire Safety

To provide reasonable fire safety, the following should be given serious consideration:

- Install at least one smoke detector and CO monitor on each floor of your home.
- Locate detectors away from the heating appliance and close to the sleeping areas.
- Follow the detector's manufacturer's placement and installation instructions and maintain regularly.
- Conveniently locate a fire extinguisher to contend with small fires.
- In the event of a hopper fire:
 - Evacuate the house immediately.
 - Notify fire department.

B. Combustible/Non-Combustible Materials

• **Combustible Material**

Material made of or surfaced with wood, compressed paper, plant fibers, plastics, or any material capable of igniting and burning, whether flame-proofed or not, plastered or unplastered.

• **Non-combustible Material**

Material which will not ignite and burn. Such materials are those consisting entirely of steel, iron, brick, tile, slate, glass or plasters, or any combination thereof.

• **Firestop Non-combustible Sealant Material**

Sealants which will not ignite and burn.

C. Fuel Material and Fuel Storage

Pellet fuel quality can greatly fluctuate. We recommend that you buy fuel in multi-ton lots whenever possible. However, we do recommend trying various brands before purchasing multi-ton lots to ensure your satisfaction.

Fuel Material

- Made from sawdust or wood by-products
- Depending on the source material it may have a high or low ash content.

Higher Ash Content Material

- Hardwoods with a high mineral content
- Fuel that contains bark
- Standard grade pellets and high ash pellets

Lower Ash Content Material

- Softwoods
- Fuels with low mineral content
- Premium grade pellets

CAUTION! Do not burn fuel that contains an additive; (such as soybean oil).

- May cause hopper fires
- Damage to product may result

Clinkers

Minerals and other non-combustible materials such as sand will turn into a hard, glass-like substance called a clinker when heated in the firepot.

Trees from different areas will vary in mineral content. That is why some fuels produce more clinkers than others.

Moisture

Always burn dry fuel. Burning fuel with high moisture content takes heat from the fuel and tends to cool the appliance, robbing heat from your home. Damp pellet fuel can clog the feed system.

Size

- Pellets are either 6 or 8mm in diameter
- Length should be no more than 38mm
- Pellet lengths can vary from lot to lot from the same manufacturer
- Due to length variations, the flame height (feed rate) may need adjusting occasionally. See **page 10** for instructions.

Performance

- Higher ash content requires the ash drawer to be emptied more frequently
- Hardwoods require more air to burn properly
- Premium wood pellets produce the highest heat output.
- Burning pellets longer than 38mm can cause an inconsistent fuel feed rate and/or missed ignitions.

CAUTION! Tested and approved for wood pellets. Burning of any other type of fuel voids your warranty.

Storage

- Wood pellets should be left in their original sealed bag until using to prevent moisture absorption.
- Do not store any pellet fuel within the clearance requirements or in an area that would hinder routine cleaning and maintenance.

D. General Operating Information

1. Thermostat Calls For Heat

The appliance is like most modern furnaces; when the thermostat calls for heat, your appliance will automatically light and deliver heat.

When the room is up to temperature and the thermostat is satisfied, the red call light will shut off and the appliance will shut down. The red call light is located behind the right access panel.

2. Heat Output Controls

This appliance is equipped with a heat output control switch that has three settings or burn rates; low, medium and high.

Figure 9.1.

The appliance will turn on and off as the thermostat demands. When the thermostat calls for heat, the appliance will always start up on High. After burning approximately 4 minutes, the appliance will then burn at the rate at which it was originally set. If the appliance is set at one of the lower settings, it will run quieter but takes longer to heat up an area than if it were set at a higher burn rate.

Regardless of the burn rate, when the area is warm enough to satisfy the thermostat, the appliance will shut off.

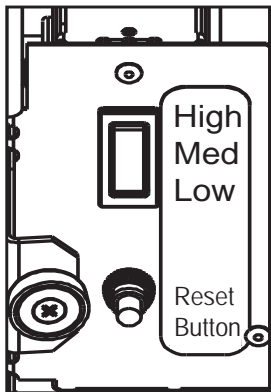



Figure 9.1

	<p>WARNING</p>
<p>Fire Hazard. Keep combustible materials, gasoline and other flammable vapors and liquids clear of appliance.</p> <ul style="list-style-type: none"> • Do NOT store flammable materials in the appliance's vicinity. • DO NOT USE GASOLINE, LANTERN FUEL, KEROSENE, CHARCOAL LIGHTER FLUID OR SIMILAR LIQUIDS TO START OR "FRESHEN UP" A FIRE IN THIS HEATER. • DO NOT BURN GARBAGE OR FLAMMABLE FLUIDS SUCH AS GASOLINE, NAPHTHA OR ENGINE OIL. • DO NOT USE CHEMICALS OF FLUIDS TO START THE FIRE. • Keep all such liquids well away from the heater while it is in use. • Combustible materials may ignite. 	

E. Before Your First Fire

1. First, make sure your appliance has been properly installed and that all safety requirements have been met. Pay particular attention to the fire protection, venting and thermostat installation instructions.
2. Double check that the ash drawer and firebox are empty!
3. Close the front door.

<p>CAUTION</p>
<p>Tip of thermocouple must be in contact with the inside end of the thermocouple cover. Missed ignitions can occur.</p>

F. Filling the Hopper with Fuel

- a. Open the hopper lid and pull the lid towards you.
- b. Do not over fill the hopper. The lid must be completely closed to maintain proper vacuum and for the feed motor to operate. An error message will appear on the wall control if the lid is not properly closed.
- c. Remove any sawdust or fuel from the lid gasket after refilling hopper.
- d. Do not leave any part of the fuel bag on the appliance after refilling hopper.
- e. Store fuel away from the appliance to maintain proper safe air clearance to combustibles.

G. Starting Your First Fire

1. A thermostat is required for proper operation of this appliance. At this time, fill the hopper with pellets, set the thermostat to its lowest setting. Plug the power cord into nearby outlet.
2. The exhaust blower will stay on for approximately 18 minutes even though the thermostat is not calling for heat. This is normal.
3. Locate the heat output control switch on the lower right side of the firebox behind decorative front door. Set to the HIGH setting and then adjust the thermostat to its highest setting. The red call light will be on which is located on the top of the junction box behind the right access panel. This indicates the thermostat is calling for heat. **Figure 10.1.**
4. The fuel feed system and the igniter should now be on.
5. For your first fire it will be necessary to press the reset button once per minute until pellets start to drop into the firepot, then press button 1 more time. This will fill the feed system and allow the appliance to begin dropping pellets. The appliance will continue to run as long as the thermostat is calling for heat.
6. Once the appliance has ignited, let it burn for approximately 15 minutes, then set the thermostat to the desired room temperature. Adjust the heat output control switch to the desired setting.

H. Fire Characteristics

A properly adjusted fire with the heat output control button set on “HIGH” has a short active flame pattern that extends out of the firepot approximately 102mm.

If the fire has tall flames with black tails and seems somewhat lazy, the feed rate will need to be reduced.

If the fire is not 102mm tall, increase the feed rate. A medium and low setting will give a shorter flame. The flame will rise and fall somewhat. This is normal.

I. Feed Rate Adjustment Instructions

The feed adjustment control rod is factory set, and should be adequate for most fuels. The control rod will slide by only loosening the wing screw.

However, if the flame height is too high or too low, you will need to adjust the feed rate. Wait until the appliance has been burning for 15 minutes before making your adjustments and allow 15 minutes for feed adjustment to take effect. Make adjustments in approximately 12.7mm increments.

1. Loosen the wing screw. **Figure 10.2**
2. Adjust the fuel adjustment control rod towards to the right and up to increase the feed rate and flame height or to the left and down to decrease the feed rate and flame height.
3. Re-tighten the wing screw.

CAUTION
Odors and vapors released during initial operation. <ul style="list-style-type: none"> • Curing of high temperature paint. • Open windows for air circulation. Odors may be irritating to sensitive individuals.

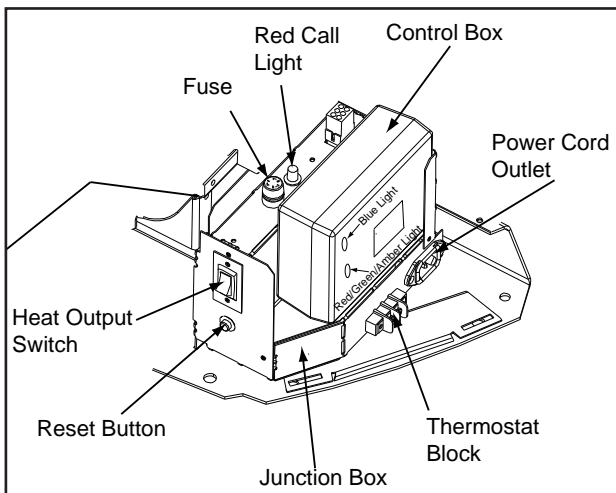


Figure 10.1

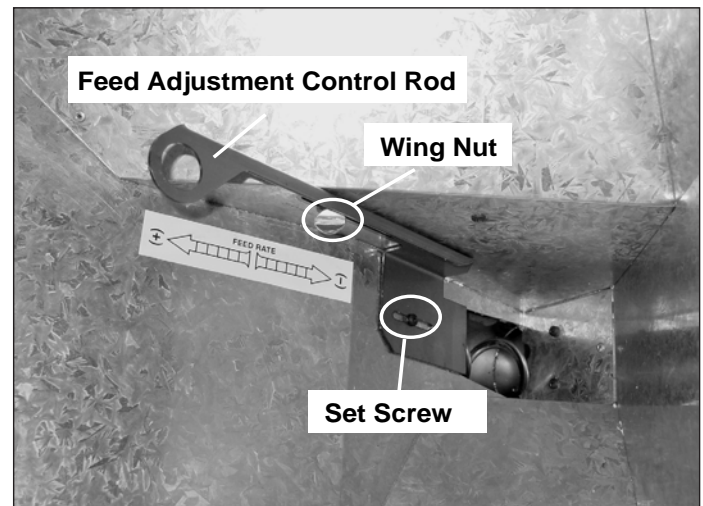


Figure 10.2

J. Ignition Cycles

1. At the beginning of each ignition cycle, it is normal to see some smoke in the firebox. The smoke will stop once the fire starts.
2. The convection blower will automatically turn on after your appliance has reached the set temperature.

This blower transfers heat from your appliance into the room, and will continue to run after the thermostat has stopped calling for heat until the appliance has cooled down.

3. Occasionally the appliance may run out of fuel and shut itself down. When this happens, the red call light will be on. **See Figure 10.1 on page 10.1.**

To restart it, fill the hopper and press the reset button. When you press the reset button the red call light will go out. Release the button and the light will come back on. You should see a fire shortly.

If not, follow the instructions on **page 10**, "Starting Your First Fire".

K. Clear Space

WARNING! RISK OF FIRE! Do NOT place combustible objects in front of the appliance. High temperatures may ignite clothing, furniture or draperies. Maintain a minimum clearance of 914mm in front of appliance.



Mantel: Avoid placing candles and other heat-sensitive objects on mantel or hearth. Heat may damage these objects.

NOTICE: Clearances may only be reduced by means approved by the regulatory authority having jurisdiction.

WARNING! RISK OF FIRE! Keep combustible materials, gasoline and other flammable vapors and liquids clear of appliance.

- Do NOT store flammable materials in the appliance's vicinity.
- Do NOT use gasoline, lantern fuel, kerosene, charcoal lighter fluid or similar liquids to start or "freshen up" a fire in this heater.

Keep all such liquids well away from the heater while it is in use as combustible materials may ignite.

 WARNING	
	Fire Risk
	Do NOT operate appliance: <ul style="list-style-type: none"> • With appliance door open. • Firepot floor open. • Cleaning slide plates open.
	Do NOT store fuel: <ul style="list-style-type: none"> • Closer than required clearances to combustibles to appliance • Within space required for loading or ash removal.

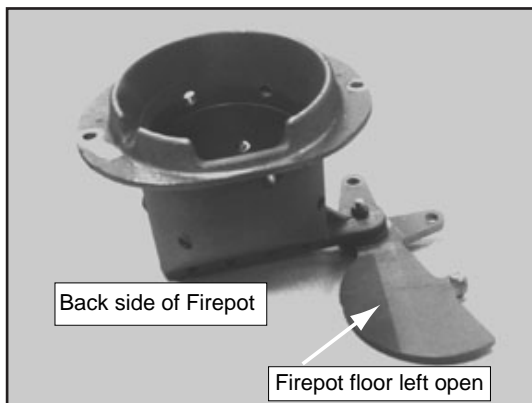


Figure 11.1 - DO NOT LEAVE FIREPOT FLOOR OPEN

3 Maintaining & Servicing Your Appliance

A. Proper Shutdown Procedure

CAUTION

Shock and Smoke Hazard

- Turn down thermostat, let appliance completely cool and exhaust blower must be off. Now you can unplug appliance before servicing.
- Smoke spillage into room can occur if appliance is not cool before unplugging.
- Risk of shock if appliance not unplugged before servicing appliance.

Follow the detailed instructions found in this section for each step listed in the chart below.

B. Quick Reference Maintenance Chart

Cleaning or Inspection	Frequency		Daily	Weekly	Monthly	Yearly
Ash Pan/Drawer	Every 5 bags of fuel depending on the fuel type or ash build-up	OR		X		
Ash Removal from Firebox	Every 5 bags or more frequently depending on the fuel type or ash build-up	OR		X		
Beneath Heat Exchanger	Every 1 ton of fuel	OR			X	
Blower, Combustion (Exhaust)	More frequently depending on the fuel type	OR				X
Blower, Convection	Every 25 bags or more frequently depending on the fuel type	OR			X	
Door Latch Inspection	Prior to heating season	OR			X	
Firebox - Prepare for Non-Burn Season	At end of heating season	OR				X
Firepot - Burning pellets - hardwood	Every 3 bags	OR	X			
Firepot - Burning pellets - softwood	Every 5 bags	OR	X			
Glass	When clear view of firepot becomes obscure	OR		X		
Heat Exchanger & Drop Tube	Every 15 bags of fuel	OR		X		
Hopper	Every 50 bags of fuel or when changing fuel types	OR			X	
Venting System	More frequently depending on the fuel type	OR				X

C. General Maintenance

1. Types of Fuel

Depending on the type of fuel you are burning will dictate how often you have to clean your firepot.

If the fuel you are burning has a high dirt or ash content it may be necessary to clean the firepot more than once a day.

Dirty fuel will cause clinkers to form in the firepot. A clinker is formed when dirt, ash or a non-burnable substance is heated to 1093°C and becomes glass-like.

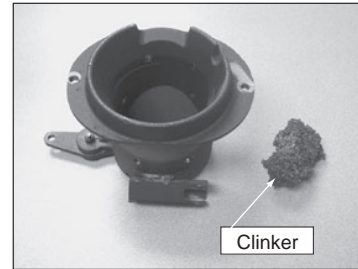


Figure 12.1 - Clinker

NOTICE: These are recommendations. Clean more frequently if you encounter heavy build-up of ash at the recommended interval or you see soot coming from the vent. **Not properly cleaning your appliance on a regular basis will void your warranty.**

2. Cleaning Firepot with Cleaning Rod & Firepot Clean-Out Tool

- **Frequency:** Daily or more often as needed
 - **By:** Homeowner
- a. The appliance must be in complete shutdown and cool and the exhaust blower off. NOTE: If you are just cleaning the firepot, there is no need to unplug the insert.
 - b. Pull firepot cleaning rod OUT and IN a couple of times to help shake debris loose. **See Figure 12.1 on page 12.**

If rod is hard to pull, it may be necessary to use your firepot clean-out tool to chip away material that has built up on the bottom plate of the firepot and to push out any clinkers. Larger clinkers may have to be removed from the top of the firepot. Corn clinkers can be especially difficult to break up.
 - c. The firepot floor plate must be fully closed when finished. **See Figure 11.1 on page 11.**

3. Ash Removal from Firebox



- **Frequency:** Weekly or 5 bags or more frequently depending on ash build-up
 - **By:** Homeowner
- a. There must not be any hot ashes in the firebox during cleaning so allow the appliance to completely cool. The firebox ash should be removed every time the exhaust path is cleaned. Frequent cleaning of the ash in the firebox will help slow down the build-up of ash in the exhaust blower and vent system.
 - b. Plug in your appliance, if unplugged, and turn the thermostat on and immediately shut it off to start the exhaust blower on its cycle time. It will pull fly ash out the exhaust instead of into the room.
 - c. Open door. There are 2 cleaning slide plates to the left and right of the firepot with finger holes. Pull both slide plates out and sweep the remaining ash from the firebox into the 2 open holes. A paint brush works well for this. Close slide plates.
 - d. This ash is deposited in the same ash drawer as the firepot debris. The ash drawer should be emptied every time you clean the firebox. Remember to place the ash and debris into a metal or non-combustible container.
 - e. The 2 cleaning slide plates must be fully closed when cleaning is complete.

4. Cleaning Ash Pan/Drawer

- **Frequency:** Weekly or every 5 bags or more frequently depending on ash build
 - **By:** Homeowner
- Locate the ash pan/drawer underneath the firepot and slide the ash drawer straight out. Empty into a non-combustible container and re-install ash pan/drawer.

5. Disposal of Ashes

- **Frequency:** As needed
 - **By:** Homeowner
- Ashes should be placed in a metal container with a tight-fitting lid. The closed container of ashes should be placed on a non-combustible floor or on the ground, well away from all combustible materials, pending final disposal.
- If the ashes are disposed of by burial in soil or otherwise locally dispersed, they should be retained in the closed container until all cinders have been thoroughly cooled.


	 WARNING
	<p>Disposal of Ashes</p> <ul style="list-style-type: none"> • Ashes should be placed in metal container with tight fitting lid. • Ashes should be retained in closed container until all cinders have thoroughly cooled.

	 WARNING
	<p>Fire Risk</p> <ul style="list-style-type: none"> • NEVER pull firepot cleaning rods or cleaning slide plates when appliance is operating. Hot pellets may fall into ashpan and may start a fire or have mis-starts due to lack of vacuum.


	 WARNING
	<p>Fire Risk.</p> <ul style="list-style-type: none"> • The cleaning slide plates must be fully CLOSED when appliance is operating. Hot pellets may fall into ash pan and start a fire.

6. Cleaning Heat Exchanger Chambers & Drop Tube


- **Frequency:** Weekly or every 15 bags or more frequently depending on ash build-up
- **By:** Homeowner



WARNING



Heat exchanger cleaning rods may be warm to the touch. For safety purposes wear gloves.



Do not pull heat exchanger cleaning rods while appliance is operating.
Push cleaning rods IN when done, DO NOT leave cleaning rods OUT. Injury can occur.

The amount of ash buildup in the firepot will be a good guide to determine how often you should clean the heat exchangers.

- Allow the appliance to completely cool down before pulling the cleaning rods. Turn the thermostat on and then immediately off to start the exhaust blower on its cycle time. It will pull fly ash out the exhaust instead of into the room.
- Locate the 2 exposed rods directly underneath the heat exchanger tubes. **Figure 14.1.**
- To clean, pull the rods straight out until it stops, approximately 203mm. Slide the rods OUT and IN a couple of times.

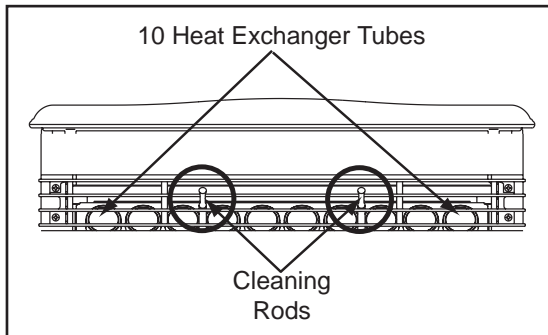


Figure 14.1

7. Cleaning Beneath Heat Exchanger

- **Frequency:** Monthly or after burning 1 ton of fuel
 - **By:** Homeowner
- Be sure the appliance is allowed to cool, has been unplugged and the exhaust blower is off
 - A more thorough cleaning is needed to remove the excess ash that is left behind from the use of the cleaning rods for the heat exchanger tubes.
 - The ash will be resting on the back of the baffle. This will require removing the cast baffle.

8. Cleaning the Hopper

- **Frequency:** Monthly or after burning 50 bags of fuel
- **By:** Homeowner

After burning approximately 1 ton of fuel you will need to clean the hopper to prevent sawdust build-up.


A combination of sawdust and pellets on the auger reduces the amount of fuel supply to the firepot. This can result in nuisance shutdowns and mis-starts.

- The appliance must be in complete shutdown. Allow the appliance to completely cool down.
- Empty the hopper of any remaining pellets.
- Vacuum the hopper and feed tube.

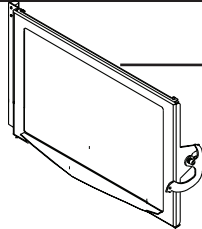
NOTE: Hearth & Home Technologies recommends to use a heavy duty vacuum cleaner specifically designed for solid fuel appliance cleaning.

9. Cleaning the Glass

- **Frequency:** When clear view of the firepot becomes obscure
 - **By:** Homeowner
- Appliance must be completely cool before cleaning glass.
 - Vacuum fly ash from glass and door rope.
 - Use a damp paper towel or any non-abrasive glass cleaner. Wipe off with dry towel.



CAUTION




Handle glass assembly with care.

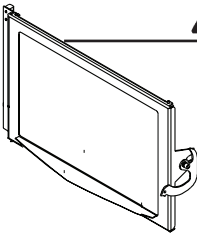
When cleaning glass:

- Avoid striking, scratching or slamming glass.
- Do NOT clean glass when hot.

- Do NOT use abrasive cleaners.
- Refer to maintenance instructions.



WARNING



Handle glass with care.

- Inspect the gasket to ensure it is undamaged.
- Do NOT strike, slam or scratch glass.
- Do NOT operate appliance with glass assembly removed.

- Do NOT operate with glass cracked, broken or scratched.

10. Soot and Fly Ash: Formation & Need for Removal in Exhaust Venting System.

- **Frequency:** Yearly or more frequently depending on ash build-up.
- **By:** Qualified Service Technician/Homeowner

Be sure the appliance is allowed to cool, has been unplugged and the exhaust blower is off.

The products of combustion will contain small particles of fly ash. The fly ash will collect in the exhaust venting system and restrict the flow of the flue gases.

At start-up if there is incomplete combustion, or if there is a shutdown or incorrect operation of the appliance it will lead to some soot formation. This will collect in the exhaust venting system.

The venting (chimney) system may need to be cleaned at least once a year or more often depending upon the quality of your fuel or if there is a lot of horizontal pipe sections. Ash will build up more quickly in the horizontal sections.

11. Door Latch Inspection

- **Frequency:** Prior to heating season or monthly during heating season
- **By:** Homeowner

The door latch is non-adjustable but the gasketing between the glass and firebox should be inspected periodically to make sure there is a good seal.

12. Cleaning Combustion Blower - Requires No Lubrication

- **Frequency:** Yearly or as needed
- **By:** Qualified Service Technician
- **Task:** **Contact your local dealer**

13. Cleaning Convection Blower - Requires No Lubrication

- **Frequency:** Monthly or every 25 bags or more frequently depending on operating environment
- **By:** Qualified Service Technician
- **Task:** **Contact your local dealer.**

14. Preparing Firebox for Non-Burn Season

- **Frequency:** Yearly at the end of the heating season
- **By:** Homeowner
 - a. Be sure the appliance is allowed to cool, has been unplugged and the exhaust blower is off.
 - b. Remove all ash from the firebox and vacuum thoroughly.
 - c. Paint all exposed steel, including cast-iron.
 - Use the Touch-Up paint supplied with the appliance; or;
 - Purchase paint from your local dealer.
 - Must use a high-temperature paint made specifically for heating appliances.

D. High Ash Fuel Content Maintenance

- **Frequency:** As needed
- **By:** Homeowner

Poor quality pellet fuel, or lack of maintenance, can create conditions that make the firepot fill quickly with ashes and clinkers.

This condition makes the appliance susceptible to overfilling the firepot with pellets which may result in smoking, sooting and possible hopper fires. **Figure 16.1** shows an example where the firepot overfills, pellets back up into the feed tube and ash has accumulated in the firebox.

An inefficient and non-economical method of burning of fuel caused by poor quality pellet fuel is shown in **Figure 16.2**.

The correct flame size when good quality, premium pellet fuel is burned is shown in **Figure 16.3**.

If the ash buildup exceeds the half way point in the firepot **IMMEDIATE ATTENTION AND CLEANING IS REQUIRED.**

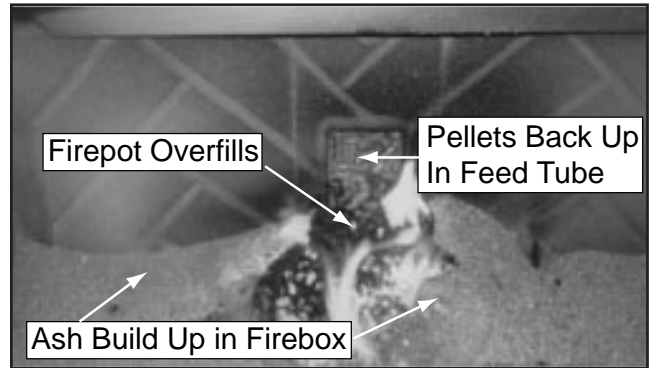


Figure 16.1

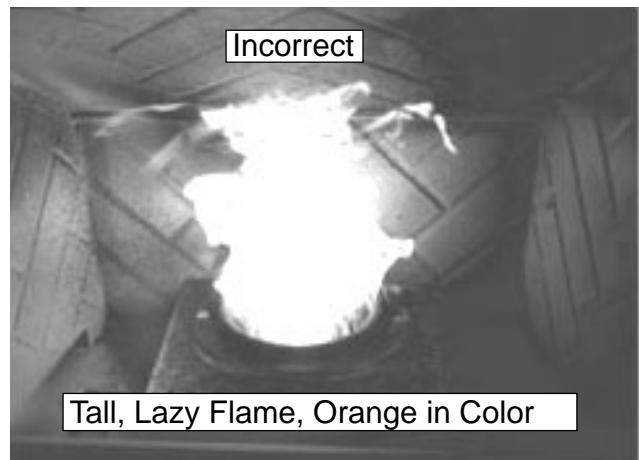



Figure 16.2

	<p>WARNING</p>
	<p>Fire Risk.</p> <ul style="list-style-type: none"> • High ash fuels, or lack of maintenance, can cause the firepot to overfill. Follow proper shutdown procedure if ash buildup exceeds half way point in firepot. • Failure to do so could result in smoking, sooting and possible hopper fires.

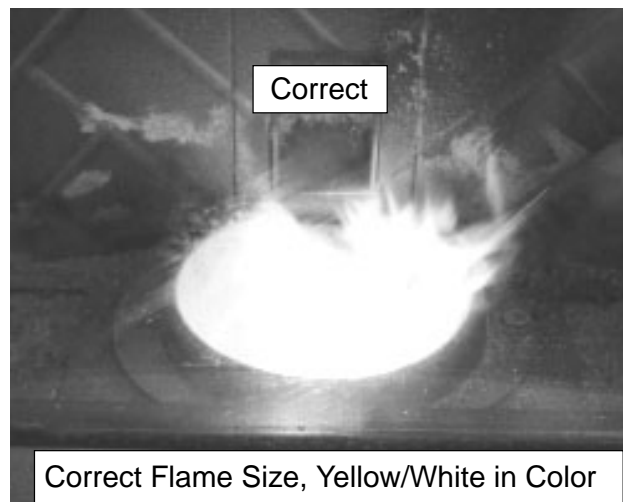


Figure 16.3

4 Troubleshooting for Homeowner

A. Frequently Asked Questions

ISSUES	SOLUTIONS
1. Metallic noise.	1. Noise is caused by metal expanding and contracting as it heats up and cools down, similar to the sound produced by a furnace or heating duct. This noise does not affect the operation or longevity of your appliance.
2. White ash buildup on glass.	2. This is normal. Clean the glass using any non-abrasive glass cleaner.
3. Glass has buildup of black soot	3. Excessive build-up of ash. See solution #4. The lower burn settings will produce more ash, the higher burn settings produce less. The more it burns on low the more frequent cleaning of the glass is required.
4. Glass has turned dirty.	3. Excessive build up of ash. The lower burn settings will produce more ash, the higher burn settings produce less. The more it burns on low the more frequent cleaning of the glass is required.
5. Fire has tall flames with black tails and is lazy.	4. The feed rate needs to be reduced or the firepot needs cleaning. Heat exchanger or exhaust blower needs cleaning.
6. Smokey start-up or puffs of smoke from the airwash.	5. Either the firepot is dirty or there is too much fuel at start-up and not enough air. Close down feed rate 1/4 (6mm) inch at a time until this no longer happens.
6. Large flame at start-up.	6. This is normal. Flame will settle down once the fire is established.

NOTICE: *Odors and vapors are released during initial operation due to the curing of high temperature paint. Open windows for air circulation. Odors may be irritating to sensitive individuals.*

Installer's Guide

5 Getting Started

A. Design, Installation & Location Considerations

1. Appliance Location

NOTICE: Check building codes prior to installation.

- Installation MUST comply with all local building codes and regulations including those referring to national and European standards.
- Consult insurance carrier, local building inspector, fire officials or authorities having jurisdiction over restrictions, installation inspection and permits.

It is a good idea to plan your installation on paper, using exact measurements for clearances and floor protection, before actually beginning the installation. Location of the appliance and chimney will affect performance.

Consideration must be given to:

- Safety, convenience, traffic flow
- Placement of the chimney and chimney connector and to minimize the use of chimney offsets.
- Place the appliance where there will be a clear passage for a Listed chimney through the ceiling and roof (vertical) or through exterior wall (horizontal).
- Installing the required outside air kit will affect the location of the vent termination.

Since pellet exhaust can contain ash, soot or sparks, you must consider the location of:

- Windows
- Air Intakes
- Air Conditioner
- Overhang, soffits, porch roofs, adjacent walls
- Landscaping, vegetation
- Horizontal or vertical vent termination

When locating vent and venting termination, the ideal location is to vent above roof line when possible. This minimizes the affects of wind loading.

2. Floor Support

The supporting floor under the appliance must be able to handle the weight of the appliance, fuel load and the weight of the chimney.

Ensure that your floor will support these weights prior to installation. Add sufficient additional support to meet this weight requirement prior to installation. The weight of this appliance is 109 kg and with a full hopper of fuel weighing 18 kg, the total for the appliance and fuel is 137 kg.

WARNING! Risk of Fire Damaged parts could impair safe operation. Do NOT install damaged, incomplete or substitute components.

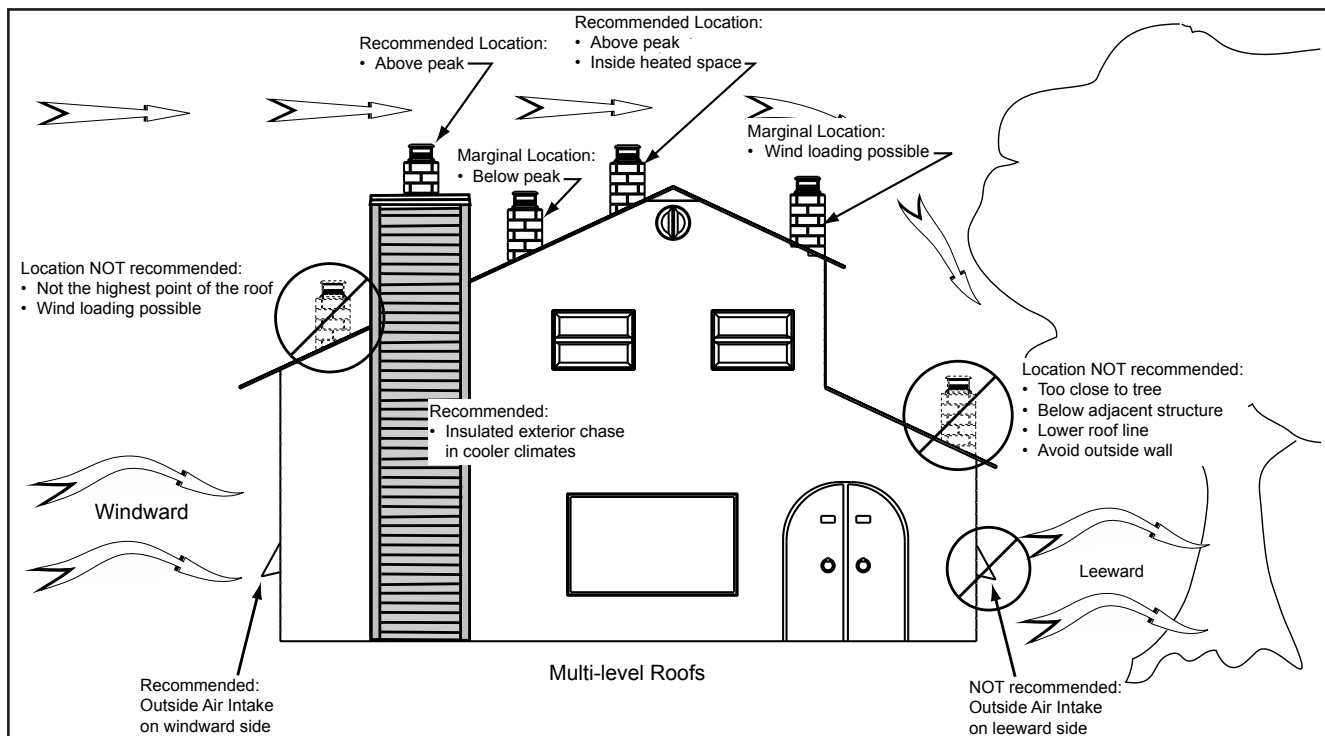


Figure 18.1

B. Thermostat Location

The thermostat’s location will have some effect on the appliance’s operation.

When the thermostat is located close to the appliance, it may require a slightly higher temperature setting to keep the rest of the house comfortable.

If the thermostat location is in an adjacent room or on a different floor level, you will notice higher temperatures near the appliance.

C. Tools And Supplies Needed

Tools and building supplies normally required for installation.	
Reciprocating Saw	7/16 inch Socket Wrench
Hammer	(or 10mm 6 pt or 11mm 6 pt socket)
Phillips Screwdriver	Framing Square
Tape Measure	Electric Drill & Bits
Plumb Line	Self-Tapping Screws
Level	Outside Air Required
Framing Material	Class L or PL Pellet Vent
Hi-temp Caulking Material	
Gloves	
Safety Glasses	<u>May also need:</u> Vent Support Straps

D. Inspect Appliance and Components

WARNING! Risk of Fire! Damaged parts could impair safe operation. Do NOT install damaged, incomplete or substitute components.

- Open the appliance and remove all the parts and articles packed inside the Component Pack. Inspect all the parts and glass for shipping damage.
- Report to your dealer any parts damaged in shipment.
- All labels have been removed from the glass door.
- Plated surfaces have been wiped clean with a soft cloth, if applicable.
- **Read all the instructions before starting the installation. Follow these instructions carefully during the installation to ensure maximum safety and benefit.**
- **Follow pipe manufacturer instructions for installation and air clearance requirements.**

E. Pre-Burn Check List

1.	Place the appliance in a location near the final installation area and follow the procedures below:
2.	Open the appliance and remove all the parts and articles packed inside the Component Pack. Inspect all the parts and glass for shipping damage. Contact your dealer if any irregularities are noticed.
3.	All safety warnings have been read and followed.
4.	This Owner’s Manual has been read.
5.	Floor protection requirements have been met.
6.	Venting is properly installed.
7.	The proper clearances from the appliance and chimney to combustible materials have been met.
8.	The masonry chimney is inspected by a professional and is clean, or the factory built metal chimney is installed according to the manufacturer’s instructions and clearances.
9.	The chimney meets the required minimum height.
10.	All labels have been removed from the glass door.
11.	Plated surfaces have been wiped clean, if applicable.
12.	Thermostat or remote has been installed.
13.	A power outlet is available nearby.

6 Dimensions and Clearances

A. Appliance Dimensions

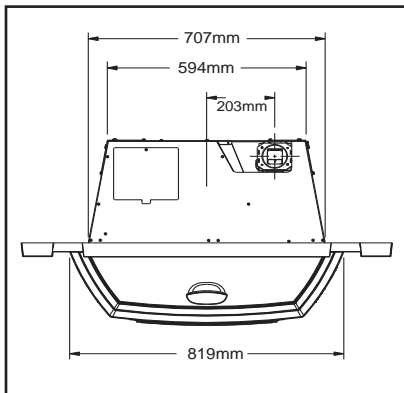


Figure 20.1 - Top View

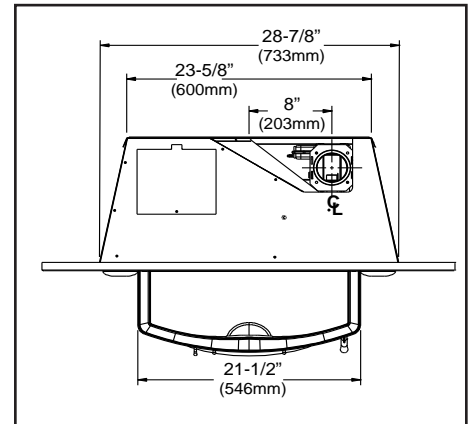


Figure 20.4 - Top View

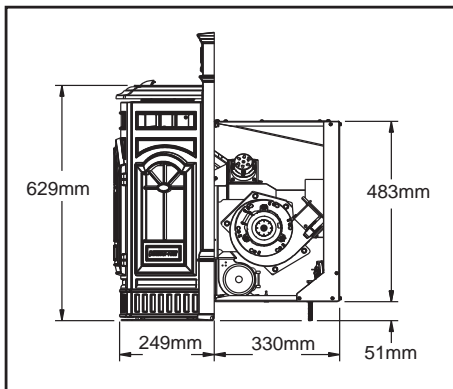


Figure 20.2 -Side View

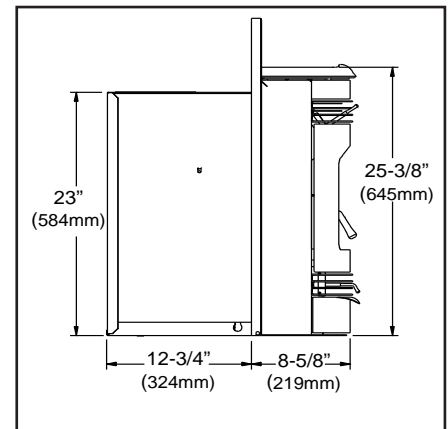


Figure 20.5 -Side View

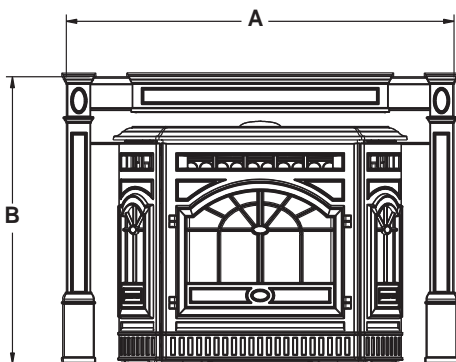


Figure 20.3- Front View

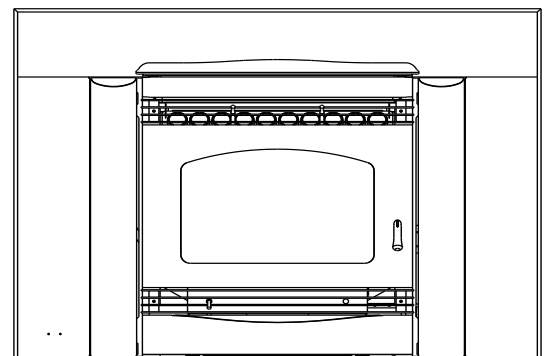


Figure 20.6- Front View

Overall Size	A	B
Metal Surround w/Cast Trim, STD	1080mm	762mm
Metal Surround w/Cast Trim, LRG	1219mm	864mm
Metal Surround w/Standard Trim, STD	1092mm	787mm
Metal Surround w/Standard Trim, LRG	1294mm	864mm

Panel	A	B
Standard	762mm	1016mm
Large	838mm	1270mm

SANTA FE ONLY

CASTILE ONLY

B. Masonry and Factory-Built Fireplaces *
(Shown on a CASTILE INSERT)

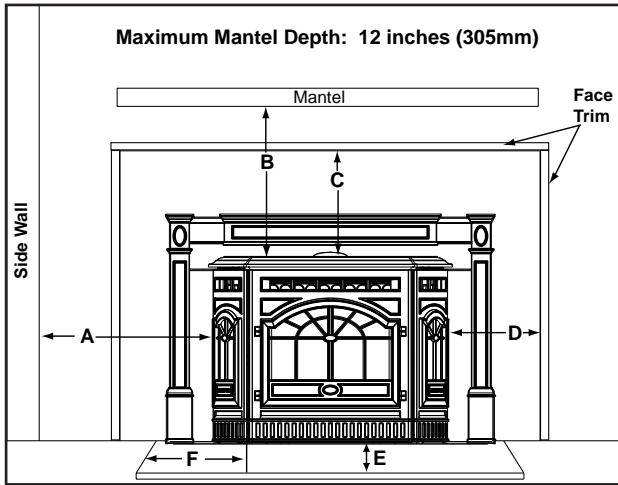


Figure 22.1

		Inches	Millimeters
A	Insert side to combustibles side wall	16	406
B	Insert top to mantel	12	305
C	Insert top to maximum. 2-1/4 inch (57mm) face trim	4-3/4	121
D	Insert side to maximum. 2-1/4 inch (57mm) face trim	10	254

* the Castile and Santa Fe inserts are only intended for installation into a masonry or factory built fireplace

C. Minimum Opening for Masonry and Factory-Built Fireplaces

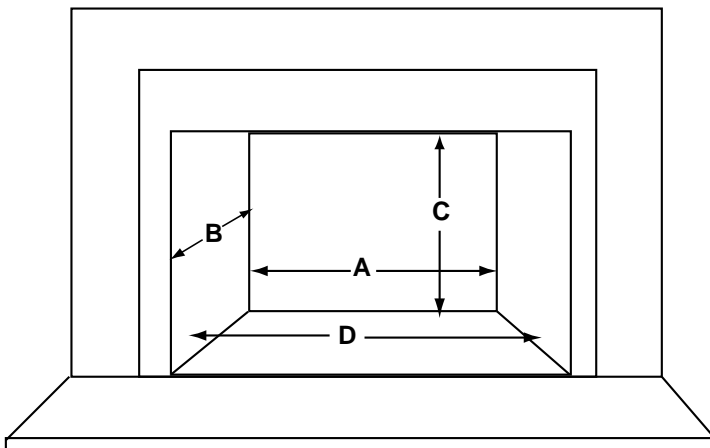


Figure 22.2

	Location	Millimeters (Castile/Santa Fe)
A	Rear Width	600/ 610
B	Depth	432/ 406
C	Height	540/ 591
D	Front Width	714/ 743

D. Floor Protection

		Inches	Millimeters
E	Floor protection hearth extension from door opening	6	152
F	Floor protection to the side of door opening	6	152

E. Prefabricated Metal Chimney

The chimney can be new or existing, masonry or prefabricated and must meet the following minimum requirements:

- Must be minimum 152mm inside diameter of high temperature chimney listed to UL 103 HT (2100°F).
- Must use components required by the manufacturer for installation.
- Must maintain clearances required by the manufacturer for installation.
- Refer to manufacturers instructions for installation
- This insert is listed to UL 1482 Standard and is approved for installation into listed factory-built zero clearance fireplaces listed to UL 127 conforming to the following specifications and instructions:
- The original factory-built clearance fireplace chimney cap must be re-installed after installing the approved chimney liner meeting type UL 103 HT requirements (2100°F) per UL 1777.
- If the chimney is not listed as meeting HT requirements, or if the factory built fireplace was tested prior to 1998, a full height listed chimney liner must be installed from the appliance flue collar to the chimney top.
- The liner must be securely attached to the insert flue collar and the chimney top.
- The air flow of the factory-built zero-clearance fireplace system must not be altered. The flue liner top support attachment must not reduce the air flow for the existing air-cooled chimney system.
- No dilution air is allowed to enter the chimney.
 1. Secure the fireplace damper in the open position. If this cannot be accomplished, it will be necessary to remove the damper.
 2. Seal damper area of chimney around chimney connector with a high temperature sealant or seal insert against the face of the fireplace.
 3. Both methods must be removable and replaceable for cleaning and re-installation.

7 Vent Information

A. Venting Termination Requirements

CAUTION

Do not terminate vent in any enclosed or semi-enclosed area such as a carport, garage, attic, crawl space, under a sun deck or porch, narrow walkway or closely fenced area, or any location that can build up a concentration of fumes such as a stairwell, covered breezeway, etc.

1. Termination must exhaust above air inlet elevation. **It is strongly recommended that at least 1.5m of vertical pipe be installed when appliance is vented directly through a wall.** This will create a natural draft, which will help prevent the possibility of smoke or odor venting into the home during a power outage. It will also keep exhaust from causing a nuisance or hazard by exposing people or shrubs to high temperatures. The safest and preferred venting method is to extend the vent vertically through the roof.
2. Distance from doors and opening windows, or gravity or ventilation air inlets into building:
 - a. Not less than 1.2m below;
 - b. Not less than 1.2m horizontally from;
 - c. Not less than 305mm above.
3. Distance from permanently closed windows;
 - a. Not less than 305mm below; horizontally from or above.
4. Distance between bottom of termination and grade should be 305mm minimum. This is conditional upon plants in the area, and nature of grade surface. The grade surface must be a non-combustible material (i.e., rock, dirt). The grade surface must not be lawn. Distance between bottom of termination and public walkway should be 2.13m minimum.
5. Distance to combustible materials must be 610mm minimum. This includes adjacent buildings, fences, protruding parts of the structure, roof overhang, plants and shrubs, etc.
6. Termination Cap Location (Home Electrical Service)
 - Side-to-side clearance is to be the same as minimum clearance to vinyl inside corners.
 - Clearance of a termination cap below electrical service shall be the same as minimum clearance to vinyl soffits.
 - Clearance of a termination cap above electrical service will be 305mm minimum.
 - Location of the vent termination must not obstruct or interfere with access to the electrical service.

B. Avoiding Smoke and Odors

Negative Pressure, Shut-Down and Electrical Power Failure

To reduce the probability of back-drafting or burn-back in the pellet appliance during power failure or shut down conditions, it must be able to draft naturally without exhaust blower operation.

Negative pressure in the house will resist this natural draft if not accounted for in the pellet appliance installation.

Heat rises in the house and leaks out at upper levels. This air must be replaced with cold air from outdoors which flows into lower levels of the house.

Vents and chimneys into basements and lower levels of the house can become the conduit for air supply and reverse under these conditions.

Outside Air

An outside air kit is recommended in all installations. The Outside Air Kit must be ordered separately.

Per your local building codes, consideration must be given to combustion air supply to all combustion appliances. Failure to supply adequate combustion air for all appliance demands may lead to backdrafting of those and other appliances.

When the appliance is roof vented (strongly recommended):

The air intake is best located on the exterior wall oriented towards the prevailing wind direction during the heating season.

When the appliance is side-wall vented:

The air intake is best located on the same exterior wall as the exhaust vent outlet and located lower on the wall than the exhaust vent outlet.

The outside air supply kit can supply most of the demands of the pellet appliance, but consideration must be given to the total house demand.

House demand may consume the air needed for the appliance. It may be necessary to add additional ventilation to the space in which the pellet appliance is located.

Consult with your local heating professional to determine the ventilation demands for your house.

Vent Configurations

To reduce probability of reverse drafting during shut-down conditions Hearth & Home Technologies strongly recommends:

- Installing the pellet vent with a minimum vertical run of 1.52m. Preferably terminating above the roof line.
- Installing the outside air kit at least 1.22m below the vent termination.

To prevent soot damage to exterior walls of the house and to prevent re-entry of soot or ash into the house:

- Maintain specified clearances to windows, doors and air inlets, including air conditioners.
- Vents should not be placed below ventilated soffits. Run the vent above the roof.
- Avoid venting into alcove locations.
- Vents should not terminate under overhangs, decks or onto covered porches.
- Maintain minimum clearance of 305mm from the vent termination to the exterior wall. If you see deposits developing on the wall, you may need to extend this distance to accommodate your installation conditions.

C. Negative Pressure

WARNING! Risk of Asphyxiation! Negative pressure can cause spillage of combustion fumes and soot.

Negative pressure results from the imbalance of air available for the appliance to operate properly. It can be strongest in lower levels of the house.

Causes include:

- Exhaust fans (kitchen, bath, etc.)
- Range hoods
- Combustion air requirements for furnaces, water heaters and other combustion appliances
- Clothes dryers
- Location of return-air vents to furnace or air conditioning
- Imbalances of the heating/cooling air handling system
- Upper level air leaks such as:
 - Recessed lighting
 - Attic hatch
 - Duct leaks

To minimize the effects of negative air pressure:

- Install the outside air kit with the intake facing prevailing winds during the heating season
- Ensure adequate outdoor air for all combustion appliances and exhaust equipment
- Ensure furnace and air conditioning return vents are not located in the immediate vicinity of the appliance
- Avoid installing the appliance near doors, walkways or small isolated spaces
- Recessed lighting should be a “sealed can” design
- Attic hatches weather stripped or sealed
- Attic mounted duct work and air handler joints and seams taped or sealed

On nominal heat output the combustion blower operates at 2053 rpm developing 0.33 m³/s. This is the minimum requirement for the supply of combustion air.

D. Draft

Draft is the pressure difference needed to vent appliances successfully. When an appliance is drafting successfully, all combustion byproducts are exiting the home through the chimney.

Install through the warm airspace enclosed by the building envelope. This helps to produce more draft, especially during lighting and die-down of the fire.

Considerations for successful draft include:

- Preventing negative pressure
- Location of appliance and chimney

To measure the draft or negative pressure on your appliance use a manahelic or a digital pressure gauge capable of reading 0 - .13 inches of water column (W.C.).

The appliance should be running on high for at least 15 minutes for the test.

With the stove running on high you should have a negative pressure equal to or greater than the number given in the chart below. If you have a lower reading than you find on the chart, your appliance does not have adequate draft to burn the fuel properly.

Minimum Vacuum Requirements:	.095
-------------------------------------	-------------

NOTICE: *Hearth & Home Technologies assumes no responsibility for the improper performance of the chimney system caused by:*

- *Inadequate draft due to environmental conditions*
- *Downdrafts*
- *Tight sealing construction of the structure*
- *Mechanical exhausting devices*



E. Chimney and Exhaust Connection

1. **Chimney & Connector:** Use 76mm to 102mm diameter type "L" or "PL" venting system. It can be vented vertically or horizontally.
2. **Residential:** Use 24 gauge single wall flue connector or Listed double wall flue connector to Class A Listed metal chimneys, or masonry chimneys meeting International Building Code (ICC) standards for solid fuel appliances.⁴
INSTALL VENT AT CLEARANCES SPECIFIED BY THE VENT MANUFACTURER.
4. **Exhaust Venting System:** Secure to the appliance with at least 2 screws 180 degrees apart. Also secure all connector pipe joints with at least 3 screws through each joint.
5. DO NOT INSTALL A FLUE DAMPER IN THE EXHAUST VENTING SYSTEM OF THIS UNIT.
6. DO NOT CONNECT THIS UNIT TO A CHIMNEY FLUE SERVING ANOTHER APPLIANCE.

NOTE: All pipe must be welded seam pipe whenever possible. Seal pipe joints with high temperature silicone (260°C) minimum rated only. Do not put silicone inside of pipe.

 CAUTION
<ul style="list-style-type: none"> • DO NOT CONNECT THIS UNIT TO A CHIMNEY FLUE SERVING ANOTHER APPLIANCE. • DO NOT CONNECT TO ANY AIR DISTRIBUTION DUCT OR SYSTEM. <p>May allow flue gases to enter the house</p>

 WARNING
 <p>vent surfaces get HOT, can cause burns if touched. Non-combustible shielding or guards may be required.</p>

 WARNING
 <p>Fire Risk. Follow Chimney Connector Manufacturer's Instructions for Proper Installation.</p> <p>ONLY use connector:</p> <ul style="list-style-type: none"> • Within the room, between appliance and ceiling or wall. <p>Connector shall NOT pass through:</p> <ul style="list-style-type: none"> • Attic or roof space • Closet or similar concealed space • Floor or ceiling <p>Maintain minimum clearances to combustibles</p>

F. Pellet Venting Charts

The maximum horizontal venting allowed with no vertical venting attached is 219mm including one 90° elbow or two 45° elbows. This is our recommended horizontal venting installation. Addition of any horizontal venting beyond 1219mm Hearth & Home Technologies strong recommends a minimum of 1524mm of additional vertical vent. Horizontal sections of vent pipe should have a 6.35mm rise per foot.

Hearth & Home Technologies recommends any installation requiring more than two 90° elbows, or more than 4.5m of venting to use 102mm vent.

ONE 90° ELBOW		
Total Horizontal	Minimum Vertical	Vent Diameter
4	0	3
5	5	3
6	6	3
7	7	3
8	8	4
9	9	4
10	10	4
11	11	4
12	12	4
13	13	4
14	14	4
15	15	4
16	16	4
17	17	4
18	18	4
19	19	4

TWO 90° ELBOWS		
Total Horizontal	Minimum Vertical	Vent Diameter
2	5	3
3	6	3
4	7	3
5	8	3
6	9	3
7	10	4
8	11	4
9	12	4
10	13	4
11	14	4
12	15	4
13	16	4
14	17	4
15	18	4

THREE 90° ELBOWS		
Total Horizontal	Minimum Vertical	Vent Diameter
2	11	4
3	12	4
4	13	4
5	14	4
6	15	4
7	16	4
8	17	4
9	18	4
10	19	4
11	20	4



WARNING

Fire Risk.

- Only LISTED venting components may be used.
- NO OTHER vent components may be used. Substitute or damaged vent components may impair safe operation.

45° elbow is equivalent to 30.48cm of straight pipe
 90° elbow is equivalent to 91.44cm of straight pipe

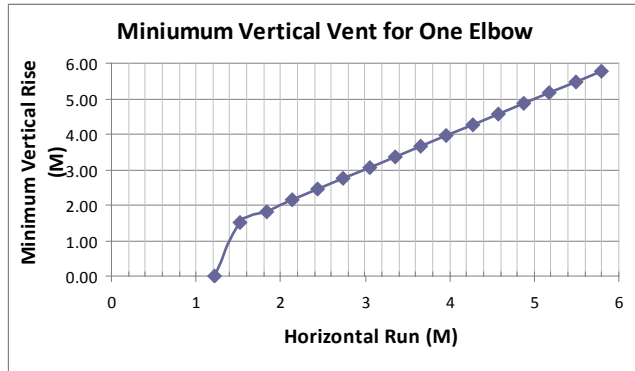


Figure 27.1

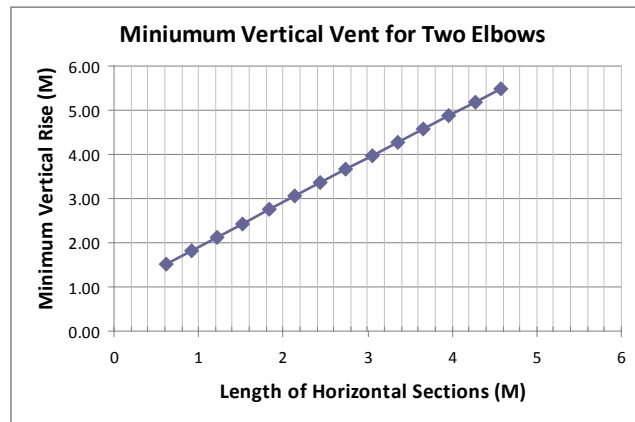


Figure 27.2

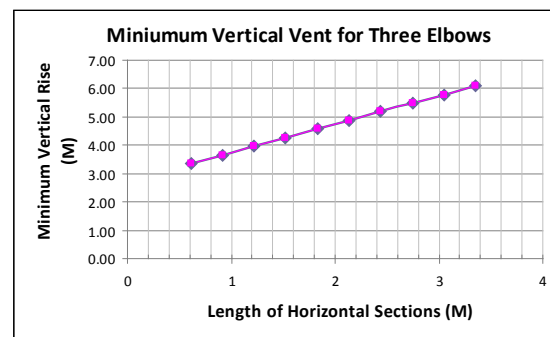


Figure 27.3

NOTICE: These are guidelines for successful venting of your pellet appliance. The more vertical rise you can obtain in your system, the better it will perform. Horizontal vent runs can accumulate ash and will need to be cleaned more often. Try to keep them as short as possible.

8 Venting Systems

A. Full Reline With Horizontal Outside Air

CAUTION
<p>Never draw outside combustion air from:</p> <ul style="list-style-type: none"> • Wall, floor or ceiling cavity • Enclosed space such as an attic or garage

	WARNING
<p>Fire Risk. Inspection of Chimney:</p> <ul style="list-style-type: none"> • Masonry chimney must be in good condition. • Meets minimum standard of NFPA 211 • Factory-built chimney must be a minimum 152mm UL103 HT. 	

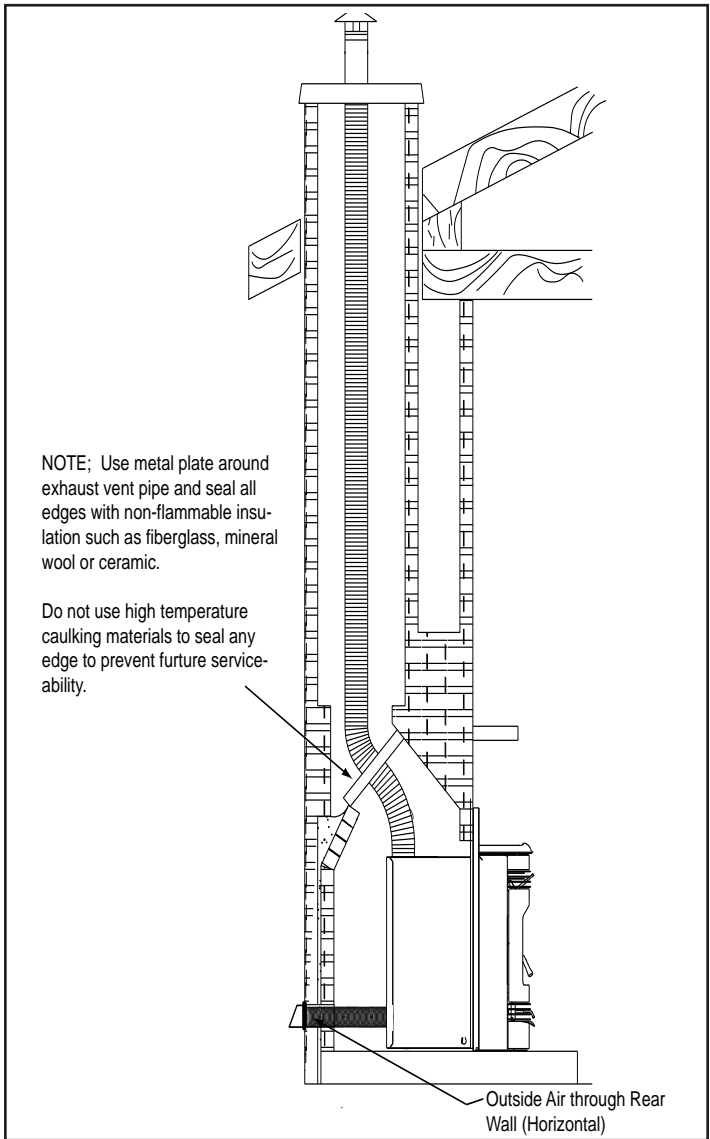
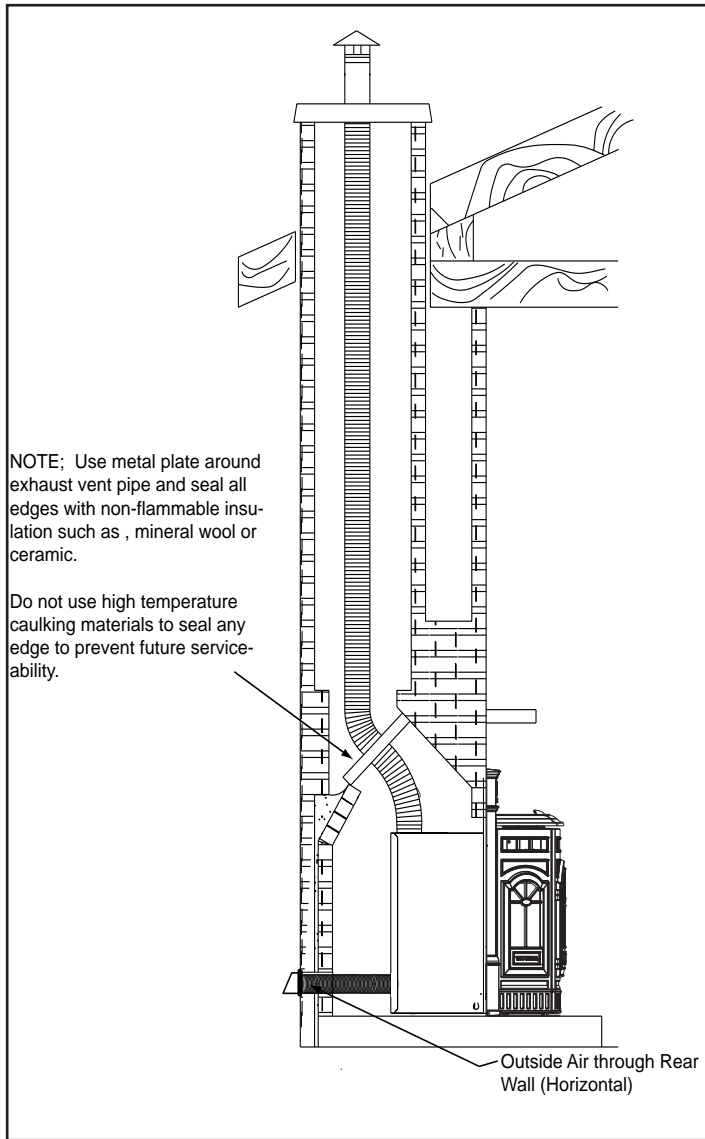


Figure 28.1

Figure 28.2

<p>NOTE:</p> <ul style="list-style-type: none"> • Illustrations reflect typical installations and are <u>FOR DESIGN PURPOSES ONLY</u>. • Illustrations/diagrams are not drawn to scale. • Actual installation may vary due to individual design preference.

B. Full Reline With Vertical Outside Air

NOTE: Check clearances carefully for this type of installation to ensure adequate room for outside air venting.

CAUTION

Check building codes prior to installation.

- Installation **MUST** comply with local, regional, state and national codes and regulations.
- Consult local building, fire officials or authorities having jurisdiction about restrictions, installation inspection, and permits.

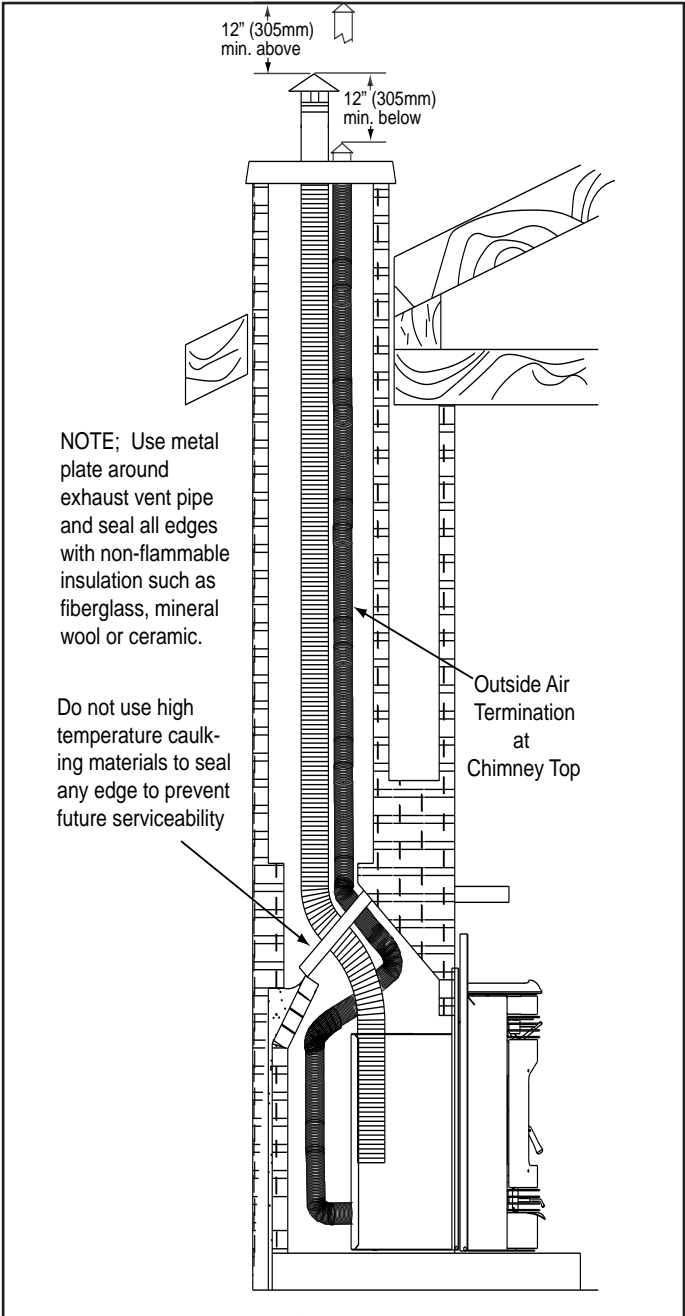
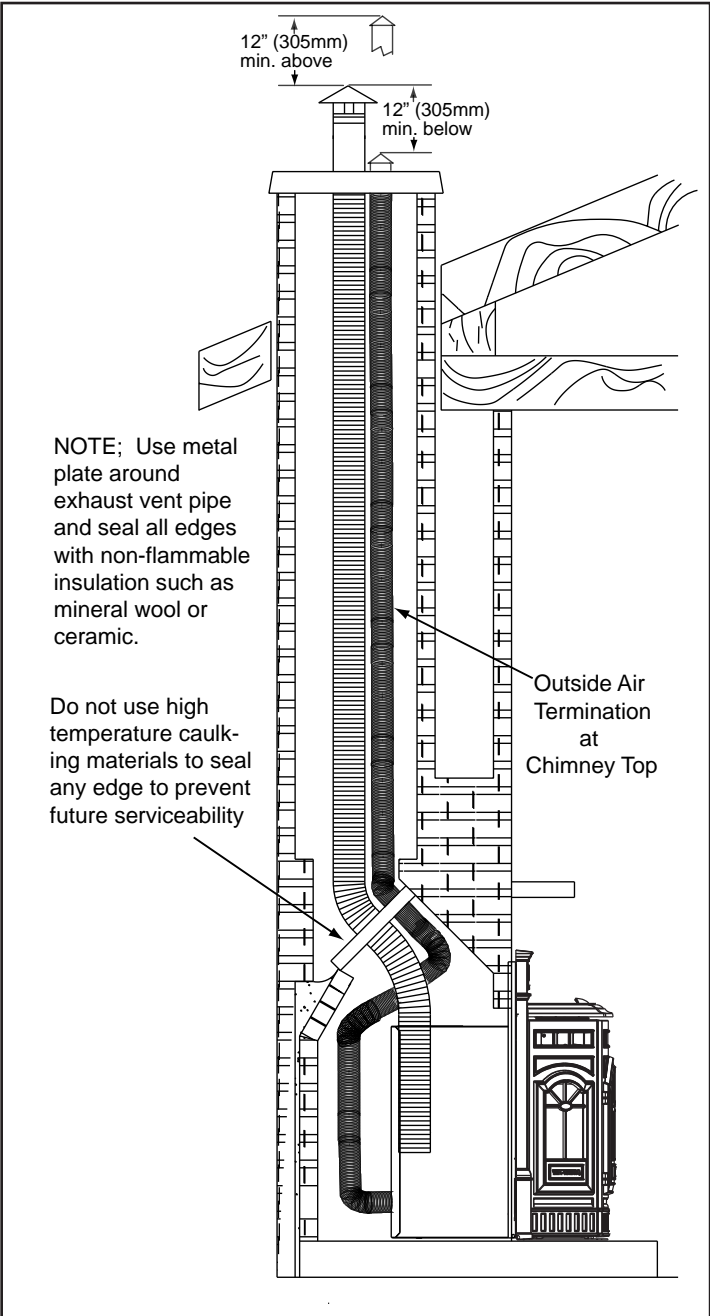


Figure 29.1

Figure 29.2

9 Appliance Set-Up

A. Leveling System

The leveling bolts are located at the rear of the appliance. To access the bolts, remove the side access panels. Reach in and turn the bolt to the desired height to level the appliance. Shown in **Figures 31.1 and 31.2.**

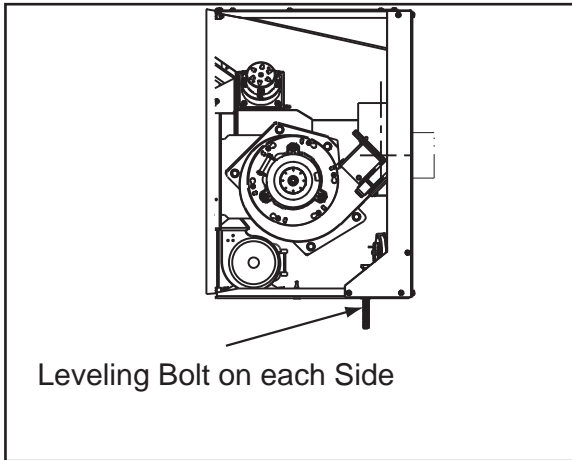


Figure 31.1

B. Outside Air Kit Instructions

Parts Included in Kit: 1 piece of 51mm x 914mm flex hose, 2 hose clamps, 1 collar assembly, 1 termination cap assembly, 1 trim ring, fasteners and air intake channel (discard).

Tools Needed: Phillips head screwdriver; wire cutters; hole saw or jig saw.

1. Measure distance from floor to air vent opening in appliance and mark location on wall.
2. Use saw to cut opening in wall. Cut a 64 to 76mm opening on inside wall and a 76 to 89mm opening on outside of house.
3. Use hose clamp to secure flex pipe to collar assembly.
4. Slide trim ring over flex pipe and run pipe through wall.
5. Attach hose to outside termination cap with second hose clamp.
6. Secure termination cap to outside surface.
7. Secure trim ring to interior wall.

CAUTION

Never draw outside combustion air from:

- Wall, floor or ceiling cavity
- Enclosed space such as an attic or garage

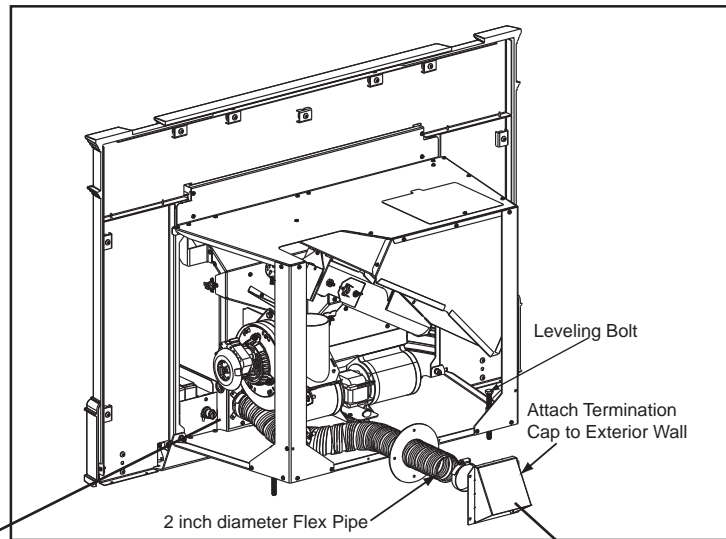
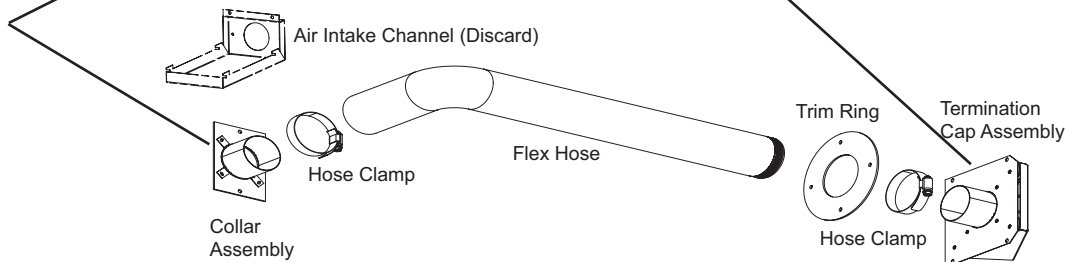


Figure 31.2 (Shown on Castile Insert)



C. Door Handle Removal

1. Open the outer door.
2. Unlatch and open the firebox door.
3. Continue to turn handle until it is free from the firebox door.

D. Door Removal

1. Open the outer door.
2. Unlatch and open the firebox door.
3. Lift the firebox door up, freeing it from the firebox hinges.

E. Adjustable Hearth Support

Size: 229mm d x 1143mm w, 51mm to 254mm Height Adjustment

Included in Kit: (1) trim top, (1) trim front, (2) trim sides, double-sided tape (already installed)

Tools Needed: Phillips head screwdriver, sheet metal shears, measuring tape, gloves

1. The 10 screws on each set of scissors will already be loose when shipped. **Figure 32.1.**
2. Expand scissors to desired height. Tighten screws to hold in place using Phillips head screwdriver.
3. Measure front and side trims to required height to cover scissors and mark pieces for cutting. Cut excess material from **top** of trim's edge, not bottom. This edge will be sharp; wear gloves to prevent injury to your hands. **Figure 32.2.**
4. Using sheet metal shears, cut trim along the marked edge. The cut edge fits under lip of top trim, so it allows for some variance in your straight edge.
5. The double-sided tape that holds front and side trims to scissors has a powerful bonding adhesive. Adjustments are extremely difficult once trim has adhered to tape. Do a dry run first without removing paper from tape.
6. Place cut edge of trim under top lip and into position on scissors. Place side pieces on first and then front piece. The front piece overlaps side pieces.
7. Once you are satisfied with the positioning, remove trim and set aside.
8. Remove the paper from double-sided tape that is to accept trim side. Align side and then press hard against tape to secure side piece. Repeat for other side. Install front trim piece last.

9. There are 3 holes in the back flange of the top to secure it to the wall if necessary. Use the appropriate fastener for the type of wall material, i.e., brick, sheetrock, etc.

NOTE: 9.5mm thick tile or like material can be cut to size and fit under lip of top trim edge for a decorative touch. **Figure 32.3.**

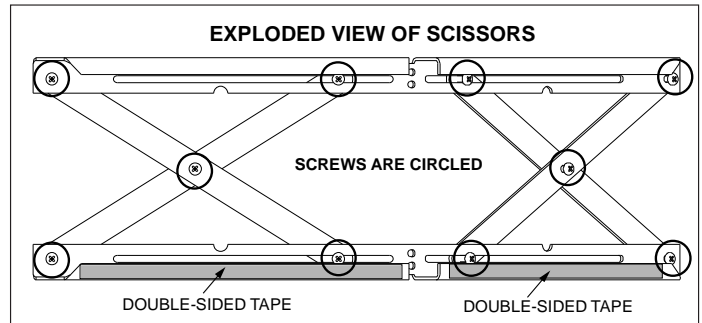


Figure 32.1

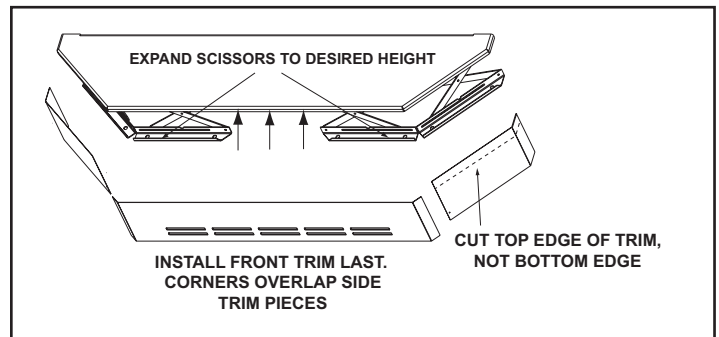


Figure 32.2

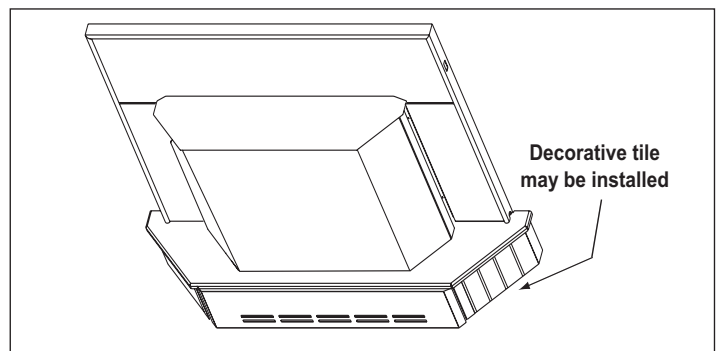


Figure 32.3

	<p>WARNING</p>
	<p>Sheet metal trim edges will be sharp. For safety purposes wear gloves. Injury can occur.</p>

F. Hearth Support For Standard Surround Only

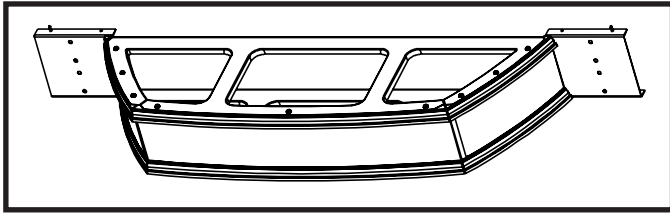


Figure 33.1 - Assembled View

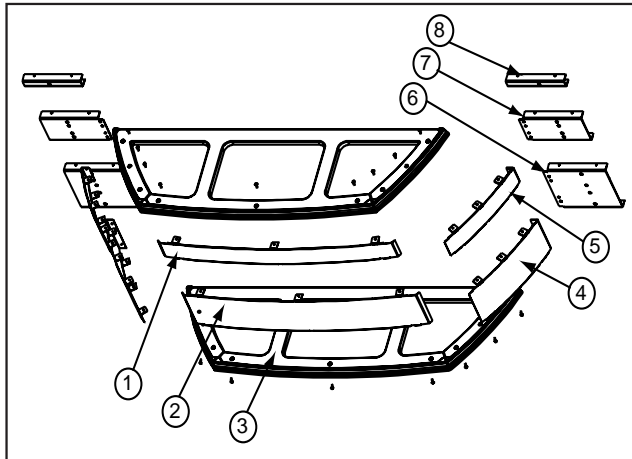


Figure 32.2

Item	Description
1	Front, 76mm
2	Front, 127mm
3	Cast Ring, Top & Bottom, Interchangeable
4	Side, 127mm
5	Side, 76mm
6	Panel Extension, 127mm
7	Panel Extension, 76mm
8	Panel Extension, Base Plate Only

1. Remove contents from box and lay on protective surface to avoid scratching the paint.
2. Lay hearth support's front and sides face down. Bend the tab down toward the inside.
3. The side pieces are shipped flat. It is much easier to manually flex the sides into a bowed position before installing.
4. Lay 1 cast ring face up, which will become the bottom ring when installed. Attach the 2 sides **FIRST** and then the front piece.

Figure 33.3.

5. Now turn the cast ring right side up and attach the top cast ring . **Figure 33.4.**

6. Attach the hearth support's panel extensions. **Figure 33.5**

7. Attach cast footers. **Figure 33.6.**

8. Place the assembled hearth support under the insert. **Figure 33.7.**

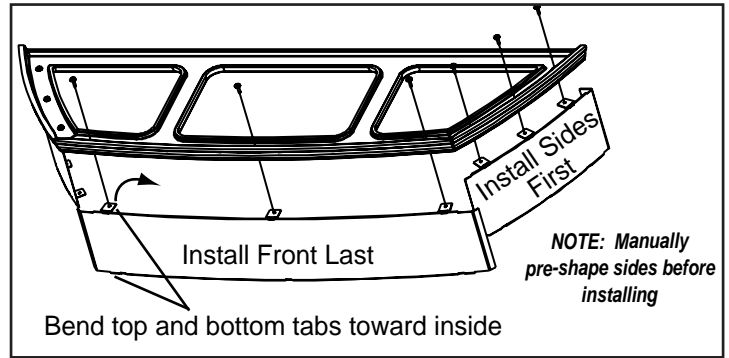


Figure 33.3

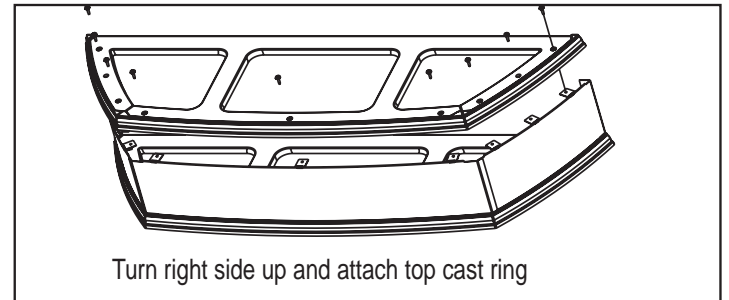


Figure 33.4

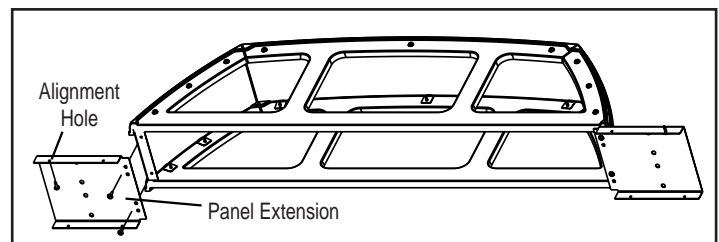


Figure 33.5

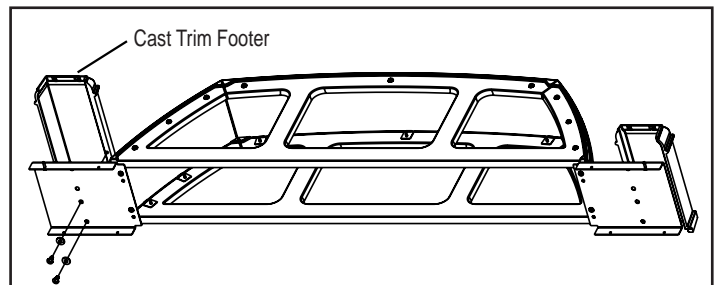


Figure 33.6

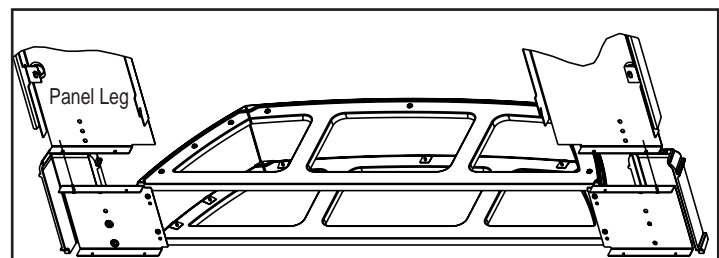


Figure 33.7

F. Hearth Support For Standard Surround (Cont'd)

Base Plate Only Installation

Parts Needed: (1) cast ring (2) base zero clearance panel extensions. Discard balance of parts.

Tools Needed: Phillips head screwdriver

1. Attach base zero clearance panel extensions to cast ring.
2. Place assembly under appliance.

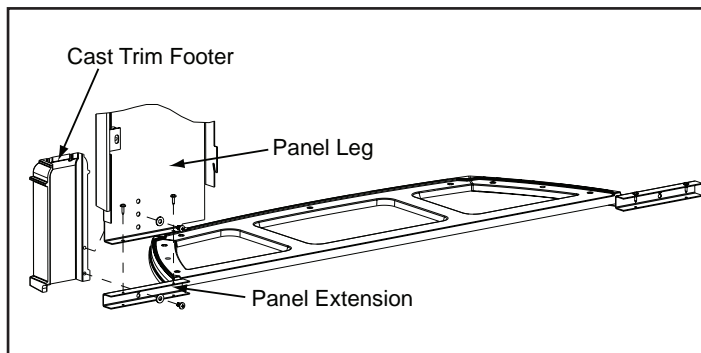


Figure 34.1

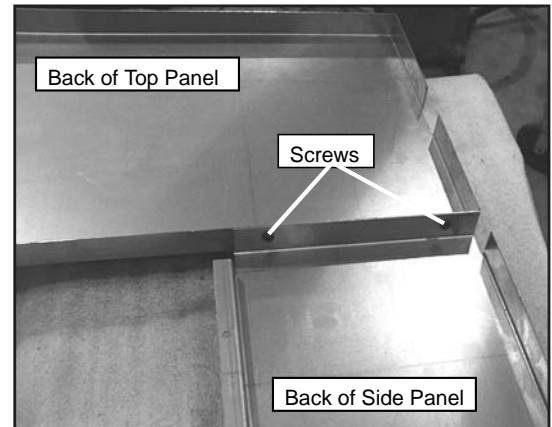


Figure 34.2

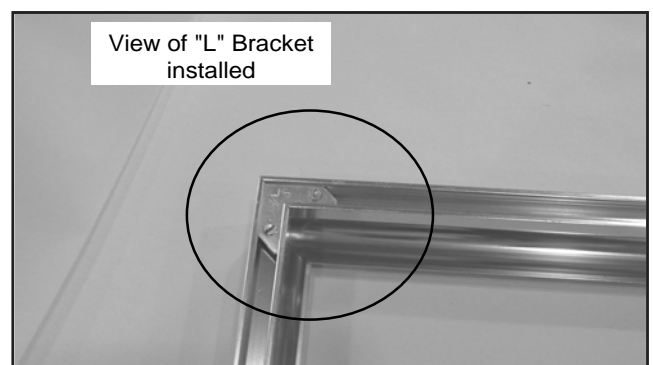


Figure 34.3

G. Surround & Trim Set, Econo (CASTILE INSERT)

Included in Surround & Trim Kit: (2) corner brackets and set screws; (1) trim set, 3 piece; (2) side surrounds; (1) top surround; (4) screws;

Tools Needed: Powered Phillips head screw driver

1. Secure the top surround to the surround sides with the screws provided. **Figure 34.2.**
2. Assemble the trim with the (2) corner brackets provided. **Figure 34.3.**
3. Slide the assembled trim over the assembled surround set.
4. Remove the cast sides before attaching the surround and trim. Lift up the top to expose the thumb screws at the top of cast side. **Figure 34.4.**
5. Remove the thumb screw and top bracket and then remove the cast side. Lay it down on a soft surface to avoid scratching the cast.
6. Slide surround and trim over the top of the insert into place. Surround attaches to insert at the top and bottom of insert side. **Figure 34.4.**
7. Re-install the cast sides and secure with the thumb screws.

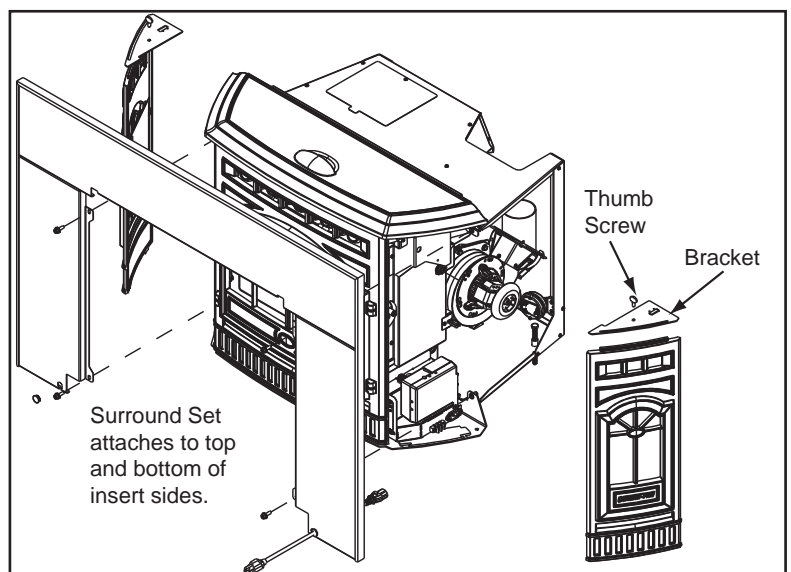


Figure 34.4

H. Surround and Cast Trim Set (CASTILE INSERT)

Included in Surround Kit: (2) side surrounds, left and right; (1) surround top; (1) fastener package.

Included in Cast Trim Kit: (2) cast trim legs, left and right; (1) cast trim header; (2) cast trim footers, left and right

Tools Needed: Powered 102mm to 152mm Phillips head screwdriver

1. Remove contents from box being careful not to scratch or damage the cast trim pieces.
2. Lay the surround set face down on protective covering to prevent scratching the painted surface.
3. Using a 102mm to 152mm long Phillips head screwdriver to attach the side surrounds to the top surround using (2) #8 sheet metal screws on each side provided with the kit.
4. Place the peel and stick round felt vibration insulation pads on the front side in each corner of the top metal piece and on the back side in each corner of the top cast piece. **Figure 32.1.**
5. Place the corresponding cast trim pieces (2 cast trim sides and 1 cast trim header) underneath the surround set, also face down. Align the holes in the metal pieces with the 5 bosses on the top cast piece and 2 bosses on each side piece.
6. Secure the magnet to the bracket and attach the magnet and bracket to each metal side piece at the bottom. The magnet is facing the front. **Figure 32.2.**
7. Place the cast footers under the metal sides aligning the top and bottom holes in the cast footers and metal sides.
8. The 9 mounting clips are shipped in one long strip. Hand break apart or use pliers.
9. Each clip has a clearance notch to allow room for the cast on the insert. Place the clip so the notch is facing the outer edges of the surrounds. **Figure 32.3.**
10. It is best to install all of the 1/4-20 screws only half way at first to allow for adjustments. After adjustment, tighten the 2 screws in each cast footer first and then work your way around to the rest.
- 11 Remove the cast sides before attaching the surround and trim. Lift up the top to expose the thumb screws at the top of cast side. **Figure 32.4.**
12. Remove the thumb screw and top bracket and then remove the cast side. Lay it down on a soft surface to avoid scratching the cast.
- 13 Slide surround and trim over the top of the insert into place. Surround attaches to insert at the top and bottom of insert side. **Figure 32.4.**
14. Re-install the cast sides and secure with the thumb screws.

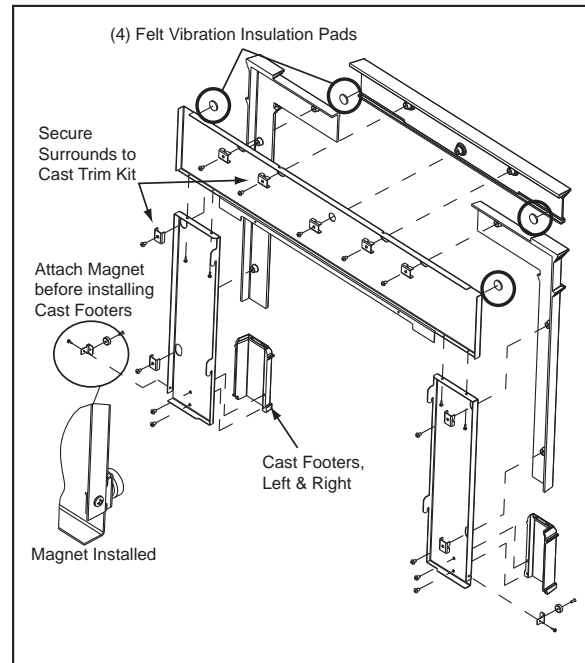


Figure 32.1

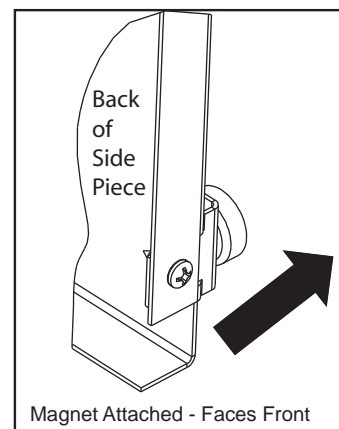


Figure 32.2

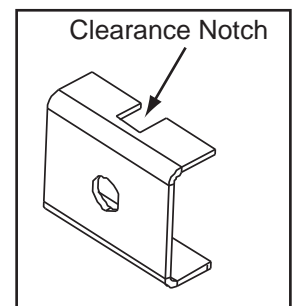


Figure 32.3

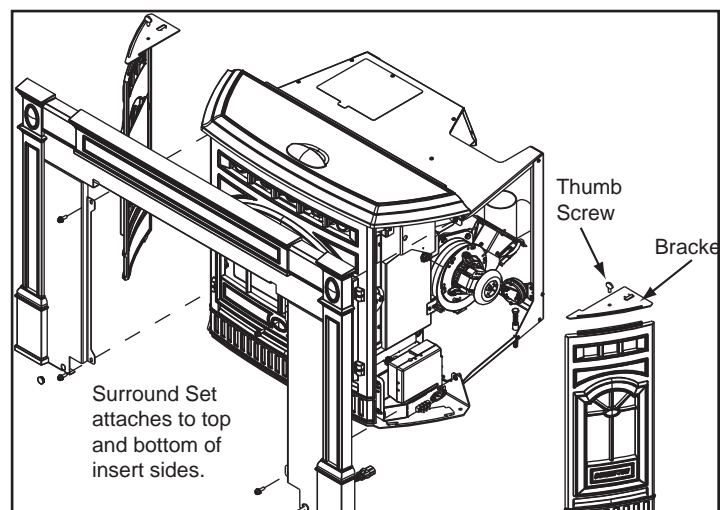


Figure 32.4

CAUTION

Do not pick up assembled appliance by corners. It is too heavy and may damage the surrounds. Pick up from center.

**I. Panel and Trim Set
(SANTA FE INSERT)**

1. Lay panel top and legs face down on protective covering to prevent scratching.
1. Attach the panel legs to the top panel using a Phillips head screwdriver. There are 2 screws for each leg. **Figure 36.2.**
2. Open the hopper lid by pulling toward you. This will make it easier to set the panels in place. Secure the panels to the insert, 2 screws per leg, as shown in **Figure 36.3.**
3. Connect the trim pieces together using the "L" Brackets supplied. **Figure 36.4.**
4. Slide the trim over the top of the panels.
5. Install the access panels. At the bottom of the access panel there are 2 hooks that slip into a slot at the bottom of the side panel and a magnet at the top that holds the access panel in place. **Figure 36.3.**

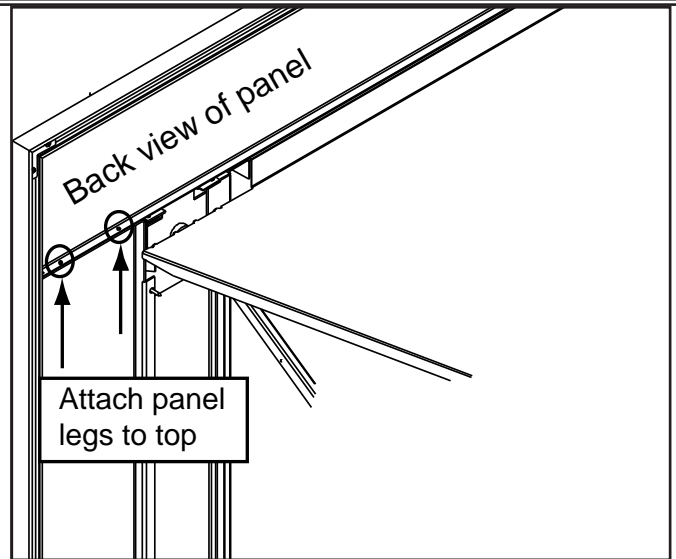


Figure 36.2

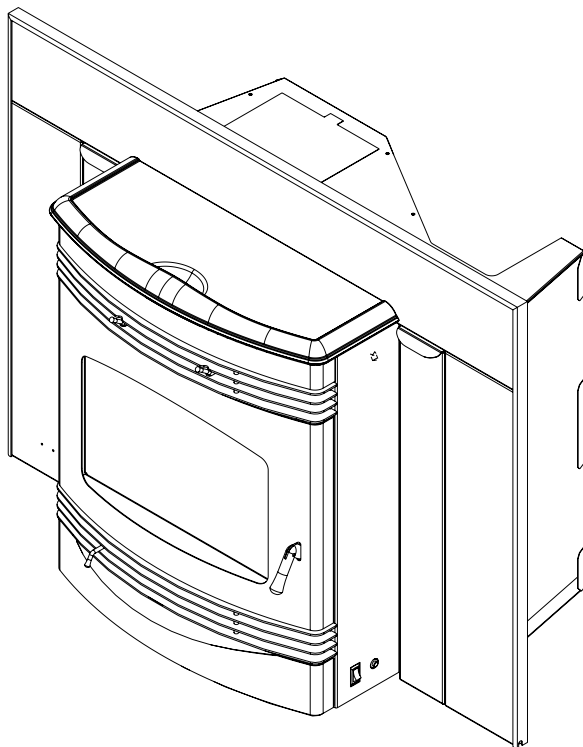


Figure 36.1- Completed View

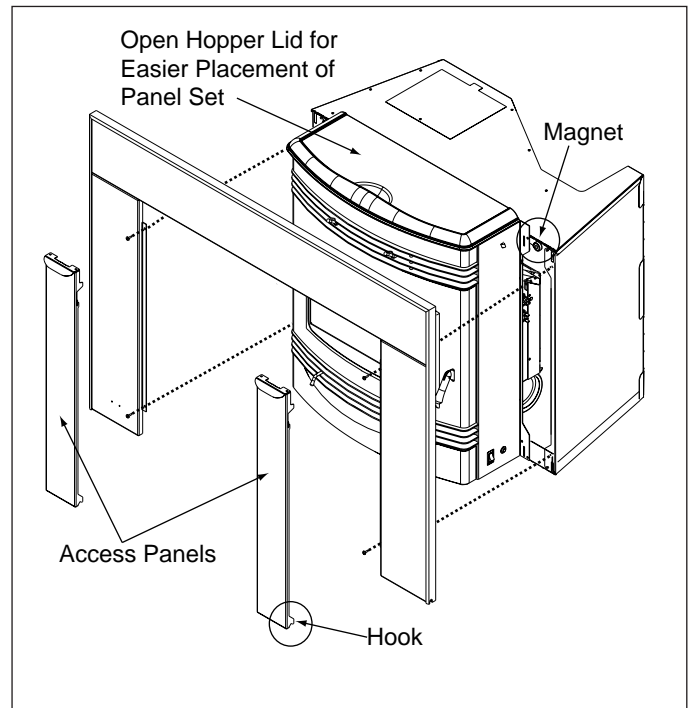


Figure 36.3

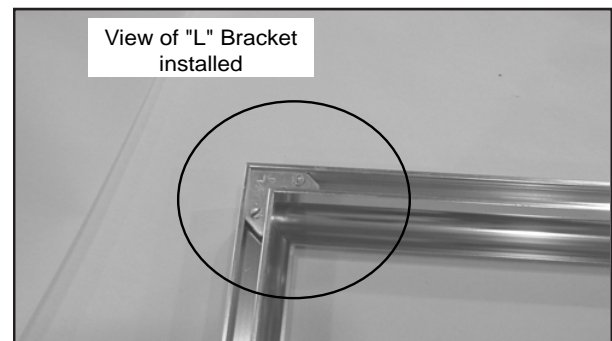


Figure 36.4

J. Optional Log Set Placement Instructions

CAUTION

Logs are FRAGILE. Use extreme care when handling or cleaning logs.

Two Piece Log Set Installation

1. Open door to expose the firebox.
2. Install the left log first and then the right log. **Figure 37.1**
3. Lean the logs against the cast iron brick in the back of the firebox.
4. Push the logs to the far left and far right against the sides of the firebox. **Figure 37.2.**
5. To clean the logs, use a vacuum and a soft brush attachment or a paint brush.



Figure 37.1

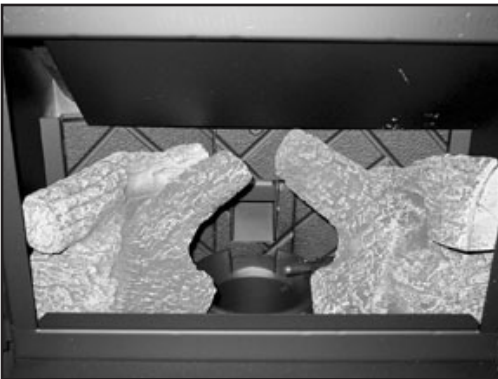


Figure 37.2

NOTE:

Due to the abrasive nature of a pellet appliance fire, the logs are not covered under warranty. Any placement variation other than shown here can cause excessive heat and shall void the appliance warranty.

K. Thermostat Installation


1. A 12 volt AC thermostat is required to operate this pellet appliance. You may use the included wall mount thermostat or purchase an optional programmable thermostat or remote control.

The included thermostat is equipped with an adjustable heat anticipator. The current rating is .05 amps. The anticipator needs to be adjusted to the lowest setting available.

2. When mounting a thermostat on a wall, be sure to follow your thermostat installation instructions carefully.

NOTE: Thermostat must be mounted level for accurate readings. The thermostat should be mounted on an inside wall and not in direct line with the appliance convection air. Remove any packaging from inside the thermostat before using.

NOTE: If the thermostat is located too close to the appliance, you may need to set the temperature setting slightly higher to maintain the desired temperature in your home.

	<p>CAUTION</p>
<p>Shock hazard.</p> <ul style="list-style-type: none"> • Do NOT remove grounding prong from plug. • Plug directly into properly grounded 3 prong receptacle. • Route cord away from appliance. • Do NOT route cord under or in front of appliance. 	

<p>CAUTION</p>
<p>The 230 outlet on the junction box is for a remote control ONLY. Do not use outlet for any other purpose. It can damage the appliance and it will void your warranty.</p>

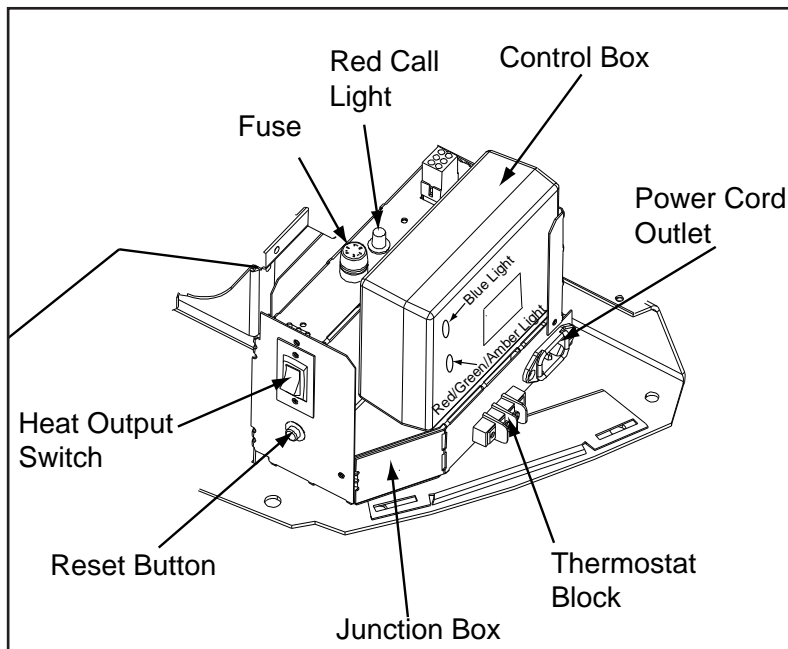


Figure 38.1

QUADRA-FIRE®

CONTACT INFORMATION:

Hearth & Home Technologies
1445 North Highway
Colville, WA 99114
Division of HNI CORPORATION
www.quadrafire.com

Please contact your Quadra-Fire dealer with any questions or concerns.
For the number of your nearest Quadra-Fire dealer
visit our website at www.quadrafire.com

NOTICE



DO NOT DISCARD THIS MANUAL

- Important operating and maintenance instructions included.
- Read, understand and follow these instructions for safe installation and operation.
- Leave this manual with party responsible for use and operation.



We recommend that you record the following pertinent information for your **CASTILE** or **SANTA FE INSERT**

Date purchased/installed: _____

Serial Number: _____ Location on appliance: _____

Dealership purchased from: _____ Dealer phone: _____

Notes: _____

This product may be covered by one or more of the following patents: (United States) 6830000 and 5582117 or other U.S. and foreign patents pending.



Free Manuals Download Website

<http://myh66.com>

<http://usermanuals.us>

<http://www.somanuals.com>

<http://www.4manuals.cc>

<http://www.manual-lib.com>

<http://www.404manual.com>

<http://www.luxmanual.com>

<http://aubethermostatmanual.com>

Golf course search by state

<http://golfingnear.com>

Email search by domain

<http://emailbydomain.com>

Auto manuals search

<http://auto.somanuals.com>

TV manuals search

<http://tv.somanuals.com>