



MPA-200/300

RS-422/485 SYNCHRONOUS
ADAPTER CARD

for ISA compatible machines

INTERFACE CARDS FOR IBM PC/AT AND PS/2

User's Manual

QUATECH, INC.
5675 Hudson Industrial Parkway
Hudson, Ohio 44236

TEL: (330) 655-9000
FAX: (330) 655-9010
<http://www.quatech.com>

Warranty Information

Quatech Inc. warrants the MPA-200/300 to be free of defects for one (1) year from the date of purchase. Quatech Inc. will repair or replace any adapter that fails to perform under normal operating conditions and in accordance with the procedures outlined in this document during the warranty period. Any damage that results from improper installation, operation, or general misuse voids all warranty rights.

The authors have taken due care in the preparation of this document and any associated software program(s). In no event will Quatech Inc. be liable for damages of any kind, incidental or consequential, in regard to or arising out of the performance or form of the materials presented herein and in the program(s) accompanying this document. No representation is made regarding the suitability of this product for any particular purpose.

Quatech Inc. reserves the right to edit or append to this document or the product(s) to which it refers at any time and without notice.

Please complete the following information and retain for your records. Have this information available when requesting warranty service.

Date of purchase: _____

Model Number: MPA-200/300

Product Description: Single Channel RS-232 Synchronous
Communication ISA Adapter

Serial Number: _____

The information contained in this document cannot be reproduced in any form without the written consent of Quatech, Inc. Likewise, any software programs that might accompany this document can be used only in accordance with any license agreement(s) between the purchaser and Quatech, Inc. Quatech, Inc. reserves the right to change this documentation or the product to which it refers at any time and without notice.

The authors have taken due care in the preparation of this document and every attempt has been made to ensure its accuracy and completeness. In no event will Quatech, Inc. be liable for damages of any kind, incidental or consequential, in regard to or arising out of the performance or form of the materials presented in this document or any software programs that might accompany this document.

Quatech, Inc. encourages feedback about this document. Please send any written comments to the Technical Support department at the address listed on the cover page of this document.

Copyright ©2004 by
Quatech Inc.
5675 Hudson Industrial Parkway
Hudson, Ohio 44236
All rights reserved. Printed in the U.S.A.

Compliances - Electromagnetic Emissions

EC - Council Directive 89/336/EEC

This equipment has been tested and found to comply with the limits of the following standards for a digital device:

- EN50081-1 (EN55022, EN60555-2, EN60555-3)
- EN50082-1 (IEC 801-2, IEC 801-3, IEC 801-4)

Type of Equipment: Information Technology Equipment

Equipment Class: Commercial, Residential, & Light Industrial

FCC - Class B

This equipment has been tested and found to comply with the limits for a Class B digital device, pursuant to part 15 of the FCC Rules. These limits are designed to provide reasonable protection against harmful interference in a residential installation. This equipment generates, uses and can radiate radio frequency energy and if not installed and used in accordance with the instructions, may cause harmful interference to radio communications. However, there is no guarantee that interference will not occur in a particular installation. If this equipment does cause harmful interference to radio or television reception, which can be determined by turning the equipment off and on, the user is encouraged to try to correct the interference by one or more of the following measures:

- Reorient or relocate the receiving antenna.
- Increase the separation between the equipment and receiver.
- Connect the equipment into an outlet on a circuit different from that to which the receiver is connected.
- Consult the dealer or an or an experienced radio/TV technician for help.

This equipment has been certified to comply with the limits for a Class B computing device, pursuant to FCC Rules. In order to maintain compliance with FCC regulations, shielded cables must be used with this equipment. Operation with non-approved equipment or unshielded cables is likely to result in interference to radio and TV reception. The user is cautioned that changes and modifications made to the equipment without the approval of the manufacturer could void the user's authority to operate this equipment.

TABLE OF CONTENTS

1 INTRODUCTION	2
2 HARDWARE INSTALLATION	4
3 SCC GENERAL INFORMATION	5
3.1 Accessing the registers	6
3.2 Baud Rate Generator Programming	9
3.3 SCC Data Encoding Methods	10
4 JUMPER BLOCK CONFIGURATIONS	11
4.1 J4 - Interrupt Configuration	11
4.2 J5 & J6 - Interrupt Level Selection	11
4.3 J10 - Transmit DMA Channel Selection	12
4.4 J11 - Receive DMA Channel Selection	13
4.5 J7 - Line Driver Control Selection	13
4.6 J8 - SYNCA to RLEN control	14
5 ADDRESSING	15
6 INTERRUPTS	17
7 DIRECT MEMORY ACCESS	18
7.1 Using Terminal Count to Generate an Interrupt	20
8 CONFIGURATION REGISTER	21
9 COMMUNICATIONS REGISTER	23
10 DTE / DCE Configuration	25
10.1 DTE Configuration	26
10.2 DCE Configuration	27
11 EXTERNAL CONNECTIONS	29
11.1 MPA-200 and EIA-530 Compatibility	32
11.2 Null-Modem Cables	32
12 DEFINITION OF INTERFACE SIGNALS	33
13 SPECIFICATIONS	37

1 INTRODUCTION

The Quatech MPA-200/300 is a single channel, synchronous serial communication port for systems utilizing the architecture of the IBM AT personal or compatible computers. The MPA-200 is RS-422 compatible.

The MPA-300 has RS-485 data line drivers and receivers in place of the MPA-200's RS-422 drivers and receivers. The MPA-300's RS-485 interface will allow multiple systems to be connected in a multi-drop configuration. Hereafter, the MPA-200 and MPA-300 will be collectively referred to as the MPA-200 except where noted.

The ports of the MPA-200 occupy an 8 byte block of I/O address space. The base address of this block may be located anywhere within the available I/O address space of the system.

The MPA-200 is available with a variety of serial communications controllers (SCC). All of the available SCC's can support asynchronous formats, byte-oriented protocols such as IBM Bisync, and bit-oriented protocols such as HDLC and IBM SDLC. The SCC's also offer internal functions such as on-chip baud rate generators, and digital phase-lock loops (DPLL).

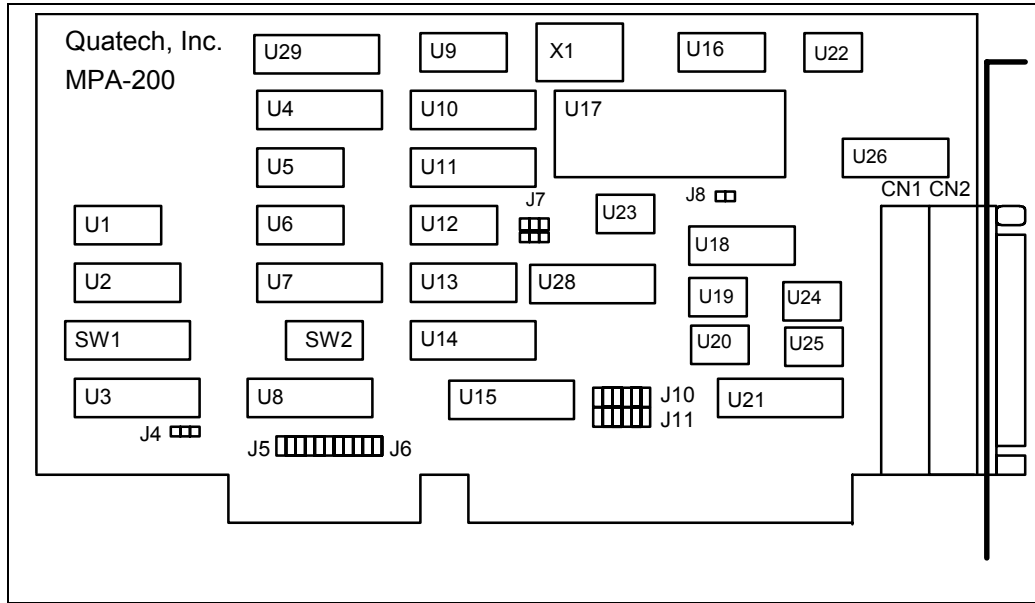
The MPA-200 also supports Direct Memory Access (DMA) and interrupts. DMA channels 1 - 3 can be used for high data transfer rates, while interrupt levels 2 - 7, 10 - 12, and 14 - 15 are available for several interrupt sources.

On the MPA-200, communications is controlled by the SCC labeled U17. There are seven jumper blocks on the MPA-200 that allow the user to select such options as DMA channels, interrupt levels and driver control. If the MPA-200 is configured for data terminal equipment (DTE), external connections are made through a male D-25 connector CN2. If the MPA-200 is configured for data communications equipment (DCE), external connections are made through a female D-25 connector CN1. These configurations are determined when the board is manufactured, prior to shipment.

On the MPA-200, the driver circuit consists of one RS-422 driver (U18), one RS-422 receiver (U26), four RS-422/485 transceivers (U19, U20, U22, U23), two RS-423 drivers (U24, U25). Each differential pair that is received by the MPA-200 has a 100 ohm termination resistor.

On the MPA-300, the driver circuit consists of one RS-485 driver (U19), one RS-485 receiver (U26), four RS-422/485 transceivers (U19, U20, U22, U23), two RS-423 drivers (U24, U25). Each differential pair that is received by the MPA-300 has a 150 ohm termination resistor.

Figure 1 MPA-200 board drawing



2 HARDWARE INSTALLATION

If the default address and interrupt settings are sufficient, the MPA-200 can be quickly installed and put to use. The factory default settings are listed below in Table 1.

Table 1 Default Board Configuration

Address	Interrupt	TxDMA	RxDMA
300 hex	IRQ 5	DMA/DRQ 3	DMA/DRQ 1

1. If the default settings are correct, skip to step 2, otherwise refer to the chapters ADDRESSING on page 15, INTERRUPTS on page 17, and DIRECT MEMORY ACCESS on page 18 for detailed information on how to set the address, IRQ, and DMA levels.
2. Turn off the power of the computer system in which the MPA-200 is to be installed.
3. Remove the system cover according to the instructions provided by the computer manufacturer.
4. Install the MPA-200 in any vacant expansion slot. The board should be secured by installing the Option Retaining Bracket (ORB) screw.
5. Replace the system cover according to the instructions provided by the computer manufacturer.
6. Attach and secure the cable connectors to the desired equipment.

3 SCC GENERAL INFORMATION

The Serial Communications Controller (SCC) is a dual channel, multi-protocol data communications peripheral. The MPA-200 provides a single channel for communications, however, to provide full DMA capabilities, both channels of the SCC can be utilized. The SCC can be software configured to satisfy a wide variety of serial communications applications. Some of its protocol capabilities include:

1) Asynchronous Communications

- 5, 6, 7, or 8 bits per character
- 1, 1-1/2, or 2 stop bits
- Odd, even, or no parity
- Times 1, 16, 32, or 64 clock modes
- Break generation and detection
- Parity, overrun and framing error detection

2) Byte-oriented Synchronous Communications

- Internal/external character synchronization
- 1 or 2 sync characters in separate registers
- Automatic Cyclic Redundancy Check (CRC) generation/detection

3) SDLC/HDLC (Bit Synchronous) Communications

- Abort sequence generation and checking
- Automatic zero insertion and deletion
- Automatic flag insertion between messages
- Address field recognition
- I-field residue handling
- CRC generation and detection
- SDLC loop mode with EOP recognition/loop entry and exit

4) NRZ, NRZI, or FM encoding/decoding

3.1 Accessing the registers

The mode of communication desired is established and monitored through the bit values of the internal read and write registers. The register set of the SCC includes 16 write registers and 9 read registers. These registers only occupy four address locations, which start at the MPA-200's physical base address that is configured via the on board switches. This and all other addresses are referenced from this base address in the form Base + Offset. An example of this is Base + 1 for the SCC Control Port, Channel A.

There are two register locations per SCC channel, a data port and a control port. Accessing the internal SCC registers is a two step process that requires loading a register pointer to perform the addressing to the correct data register. The first step is to write to the control port the operation and address for the appropriate channel. The second step is to either read data from or write data to the control port. The only exception to this rule is when accessing the transmit and receive data buffers. These registers can be accessed with the two step process described or with a single read or write to the data port. The following examples illustrate how to access the internal registers of the SCC. Also, Table 2 SCC read register description describes the read registers and Table 3 SCC write register description describes the write registers for each channel.

The MPA-200 has been designed to assure that all back to back access timing requirements of the SCC are met without the need for any software timing control. The standard of adding jmp \$+2 between IO port accesses is not required when accessing the MPA-200.

Example 1: Enabling the transmitter on channel A.

```
mov     dx,base      ; load base address
add     dx,ContA     ; add control reg A offset
mov     al,05h       ; write the register number
out     dx,al        ;
mov     al,08h       ; write the data to the register
out     dx,al
```

Example 2: Monitoring the status of the transmit and receive buffers in RR0 of Channel A. Register 0 is addressed by default if no register number is written to WR0

```
mov     dx,base      ; load base address
add     dx,ContA     ; add control reg A offset
in      al,dx        ; read the status
```

Example 3: Write data into the transmit buffer of channel A.

```

mov     dx,base    ; load base address
out     dx,al      ; write data in ax to buffer

```

Example 4: Read data from the receive buffer of channel A.

```

mov     dx,base    ; load base address
in      al,dx      ; write data in ax to buffer

```

Table 2 SCC read register description.

RR0	Transmit, Receive buffer statuses and external status
RR1	Special Receive Condition status, residue codes, error conditions
RR2	Modified Channel B interrupt vector and Unmodified Channel A interrupt vector
RR3	Interrupt Pending bits
RR6	LSB of frame byte count register
RR7	MSB of frame byte count and FIFO status register
RR8	Receive buffer
RR10	Miscellaneous status parameters
RR12	Lower byte of baud rate time constant
RR13	Upper byte of baud rate time constant
RR15	External/Status interrupt information

The SCC can perform three basic forms of I/O operations: polling, interrupts, and block transfer. Polling transfers data, without interrupts, by reading the status of RR0 and then reading or writing data to the SCC buffers via CPU port accesses. Interrupts on the SCC can be sourced from the receiver, the transmitter, or External/Status conditions. At the event of an interrupt, Status can be determined, then data can be written to or read from the SCC via CPU port accesses. For block transfer mode, DMA transfers accomplish data transfers from the SCC to memory or from memory to the SCC, interrupting the CPU only when the Block is finished. Further information on these subjects are found in the chapters titled INTERRUPTS, and DIRECT MEMORY ACCESS.

The SCC incorporates additional circuitry supporting serial communications. This circuitry includes clocking options, baud rate generator (BRG), data encoding, and internal loopback. The SCC may be programmed to select one of several sources to provide the transmit and receive clocks. These clocks can be programmed in WR11 to come from the RTXC pin, the TRXC pin, the output of the BRG, or the transmit output of the DPLL. The MPA-200 uses the TRXC pin for its transmit

clock (TCLK) and the RTXC pin for its receive clock (RCLK). Programming of the clocks should be done before enabling the receiver, transmitter, BRG, or DPLL.

Table 3 SCC write register description.

WR0	Command Register, Register Pointer, CRC initialization, resets for various modes
WR1	Interrupt control, Wait/DMA request control
WR2	Interrupt vector
WR3	Receiver initialization and control
WR4	Transmit/Receive miscellaneous parameters and codes, clock rate, stop bits, parity
WR5	Transmitter initialization and control
WR6	Sync character (1st byte) or SDLC address field
WR7	Sync character (2nd byte) or SDLC Flag
WR7'	HDLC enhancement register
WR8	Transmit buffer
WR9	Master interrupt control and reset
WR10	Miscellaneous transmitter/receiver control bits, NRZI, NRZ, FM coding, CRC reset
WR11	Clock mode and source control
WR12	Lower byte of baud rate time constant
WR13	Lower byte of baud rate time constant
WR14	Miscellaneous control bits: baud rate generator, DPLL control, auto echo
WR15	External/Status interrupt control

3.2 Baud Rate Generator Programming

The baud rate generator (hereafter referred to as the BRG) of the SCC consists of a 16-bit down counter, two 8-bit time constant registers, and an output divide-by-two. The time constant for the BRG is programmed into WR12 (least significant byte) and WR13 (most significant byte). The equation relating the baud rate to the time constant is given below while Table 4 shows the time constants associated with a number of popular baud rates when using the standard MPA-200 9.8304 MHz clock.

$$\text{Time_Const} = \frac{\text{Clock_Frequency}}{\text{Baud_Rate} \times 2}$$

Where:

Clock_Frequency = crystal frequency of 9.8304 MHz

Clock_Mode = value programmed in WR4

Baud_Rate = desired baud rate

Table 4 Time constants for common baud rates

Baud Rate	Baud Constant (Hex)
38400	007EH
19200	00FEH
9600	01FEH
4800	03FEH
2400	07FEH
1200	0FFEH
600	1FFEH
300	3FFEH

(for 9.8304 Mhz Clock)

3.3 SCC Data Encoding Methods

The SCC provides four different data encoding methods, selected by bits D6 and D5 in WR10. These four include NRZ, NRZI, FM1 and FM0. The SCC also features a digital phase-locked loop (DPLL) that can be programmed to operate in NRZI or FM mode. Also, the SCC contains two features for diagnostic purposes, controlled by bits in WR14. They are local loopback and auto echo.

For further information on these subjects or any others involving the SCC, contact the manufacturer of the SCC being used for a complete technical manual.

4 JUMPER BLOCK CONFIGURATIONS

The MPA-200 utilizes seven user-selectable jumper blocks , that allow the user more flexibility when configuring the board. The following section explains the function of each of the jumper blocks on the MPA-200.

4.1 J4 - Interrupt Configuration

J4 is a three pin jumper which determines whether or not a board's interrupt is sharable. By selecting pins 1 & 2, the user has the ability to share an interrupt with other Quatech expansion cards. The MPA-200 will drive the interrupt onto the bus only when an interrupt occurs. Otherwise, the output is high impedance. If pins 2 & 3 of J4 are selected, then interrupts abide by the IBM specification and cannot be shared. Table 5 summarizes the jumper block selections for J4. To maintain 100% ISA bus compatibility J7 should be set in No Interrupt Sharing mode.

Table 5 Jumper Block J4 Selections

Interrupt Function	Pins
Interrupt Sharing	1&2
No Interrupt Sharing	2&3

4.2 J5 & J6 - Interrupt Level Selection

Jumper blocks J5 and J6 select the interrupt level that the MPA-200 utilizes. Interrupt levels IRQ2 - IRQ7 reside on J5, while interrupt levels IRQ10 - IRQ12 and IRQ14 - IRQ15 reside on J6. Table 6, and Table 7 summarize the jumper block selections for J5 and J6. The IRQ levels are also marked on the MPA-200 silk-screen for easy identification.

Table 6 Jumper block J5 selections.

Interrupt Level	Pins
IRQ2(9)	1&7
IRQ3	2&8
IRQ4	3&9
IRQ5	4&10
IRQ6	5&11
IRQ7	6&12

Table 7 Jumper block J6 selections.

Interrupt Level	Pins
-----------------	------

IRQ10	1&6
IRQ11	2&7
IRQ12	3&8
IRQ14	4&9
IRQ15	5&10

4.3 J10 - Transmit DMA Channel Selection

J10 selects the DMA channel to be used for transmit DMA. Three channels (1 - 3) are available on the MPA-200 for DMA. When selecting a DMA channel, both the DMA acknowledge (DACK) and the DMA request (DRQ) for the appropriate channel need to be selected. Table 8 summarizes the jumper block selections for J10

Table 8 Jumper block J10 selections.

DMA Channel	Pins
Channel 1	1&7
	2&8
Channel 2	3&9
	4&10
Channel 3	5&11
	6&12

4.4 J11 - Receive DMA Channel Selection

J11 selects the DMA channel to be used for receive DMA. Three channels (1 - 3) are available on the MPA-200 for DMA. When selecting a DMA channel, both the DMA acknowledge (DACK) and the DMA request (DRQ) for the appropriate channel need to be selected. Table 9 summarizes the jumper block selections for J11.

Table 9 Jumper block J11 selections.

DMA Channel	Pins
Channel 1	1&7
	2&8
Channel 2	3&9
	4&10
Channel 3	5&11
	6&12

NOTE:

Since it is illegal to perform transmit DMA and receive DMA on the same DMA channel, jumper blocks J10 and J11 should never have the same pins connected. This condition could result in damage to the system.

4.5 J7 - Line Driver Control Selection

J7 controls the source for enabling and disabling the driver circuitry on the MPA-200. By selecting pins 1 & 2, the transmitters on the MPA-200 will always be enabled. If the user wants the ability to enable and disable the transmitters, pins 2 & 3 should be selected. By doing this, the transmitters are controlled by bit D0 of the communications register. Similarly, by selecting pins 4 & 5, the receivers on the MPA-200 will always be enabled. If pins 5 & 6 are selected, the receivers are controlled by bit D1 of the communications register. Table 10 summarizes the jumper block selections for J7.

Table 10 Jumper block J7 connections

Driver Control Function	Pins
Transmitter Always Enabled	1&2
Transmitter controlled by Comm. Register	2&3
Receiver Always Enabled	4&5
Receiver controlled by Comm. Register	5&6

4.6 J8 - SYNCA to RLEN control

J8 controls the signal path from the RLEN bit in the Communications register to the SYNCA input to the SCC. If J8 is installed the RLEN bit may be used to control the SYNCA pin when the SCC is in external SYNC mode. Note: the RLEN output is still effected when used to control the SYNCA pin.

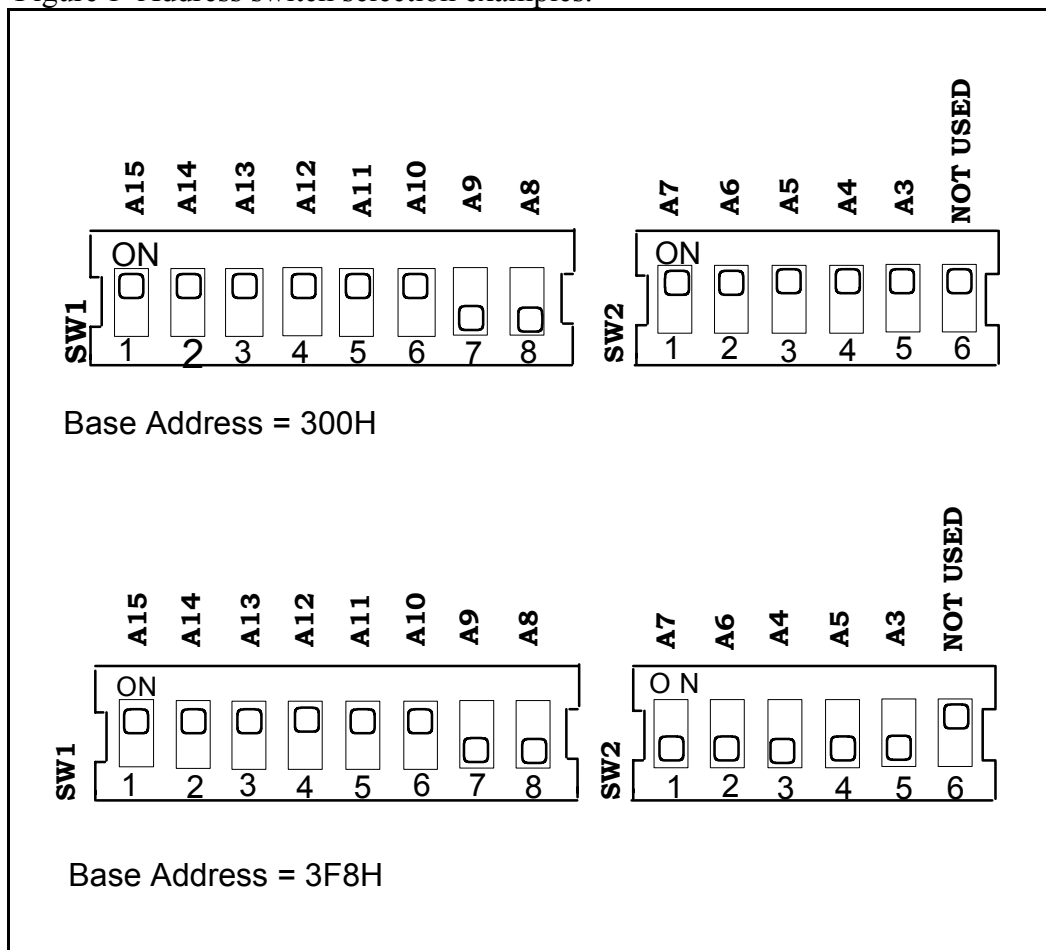
Table 11 Jumper J8 Selections

Function	Jumper J8
SYNCA	IN
RLEN	OUT

5 ADDRESSING

The MPA-200 occupies a continuous 8 byte block of I/O addresses. For example, if the base address is set to 300H, then the MPA-200 will occupy address locations 300H-307H. The base address of the MPA-200 may be set to any of the first 64 Kbytes (0 - FFFFH) of available I/O address space through the settings of dip switches SW1 and SW2. SW1 allows the user to select the higher address signals A15 - A8. SW2 allows the user to select the lower address signals A7 - A3. The sixth position of SW2 is not used and can be ignored. Figure 2 shows some examples of different base addresses.

Figure 1 Address switch selection examples.



The first four bytes, Base+0 through Base+3, of address space on the MPA-200 contain the internal registers of the SCC. The next two locations Base+4 and Base+5 contain the communications register and the configuration register. The last two address port locations are reserved for future use. The entire address range of the MPA-200 is shown in Table 12.

Table 12 MPA-200 Address Assignments

Address	Register Description
Base + 0	SCC Data Port, Channel A
Base + 1	SCC Control Port, Channel A
Base + 2	SCC Data Port, Channel B
Base + 3	SCC Control Port, Channel B
Base + 4	Communications Register
Base + 5	Configuration Register
Base + 6	Reserved
Base + 7	Reserved

Information on the internal registers of the SCC can be found in the chapter titled SCC GENERAL INFORMATION starting on page 4. The two onboard registers give the user additional options pertaining to DMA, and Interrupts. Information on the configuration register and the communications register can be found in the chapters CONFIGURATION REGISTER on page 21, and COMMUNICATIONS REGISTER on page 23.

6 INTERRUPTS

The MPA-200 supports eleven interrupt levels: IRQ2 -7, IRQ10 - 12, and IRQ14 - 15. The interrupt level is selected through jumper blocks J5 and J6 (see JUMPER BLOCK CONFIGURATIONS on page 11). The interrupt source is selected by bits D4 and D5 of the configuration register. The MPA-200 has three interrupt sources: interrupt on terminal count, interrupt on test mode, and interrupt from the SCC. Interrupts from the SCC can occur on a number of conditions, depending on which is programmed. These include interrupt on first character received, interrupt on all characters received, interrupt on special condition received, interrupt on character transmitted, and interrupt on External/Status (see manufacturers data sheets for more details). Also, jumper block J4 can be selected to provide for interrupt sharing on the MPA-200.

When using interrupts with the MPA-200, it is required that the applications program have an interrupt service routine (ISR). There are several things that an ISR must do to allow proper system operation:

1. Do a software interrupt acknowledge to the SCC. This is accomplished by reading the interrupt vector register, status register 2, in channel B of the SCC. The value supplied by this read can also be used to vector to the appropriate part of the ISR.
2. Service the interrupt by reading the receiver buffer, writing to the transmit buffer, etc.
3. Write a Reset Highest Interrupt Under Service (IUS) to the SCC. This is done by writing a 0x38 to the SCC command register.
4. Check for any additional interrupts pending in the SCC and service them.
5. For applications running under DOS, a nonspecific End of Interrupt must be submitted to the interrupt controller. For Interrupts 2-7 this is done by writing a 0x20 to port 0x20. For Interrupts 10-12,14 and 15 this is done by writing a 0x20 to 0x60, then a 0x20 to 0x20 (Due to the interrupt controllers being cascaded). Note that this should only be done if it is a requirement of the operating system being used.

For further information on these subjects or any others involving the SCC contact the manufacturer of the SCC being used for a complete technical manual.

7 DIRECT MEMORY ACCESS

Direct Memory Access (DMA) is a way of directly transferring data to and from memory, resulting in high data transfer rates with very low CPU overhead. The MPA-200 allows the user to perform DMA transfers when data is received (DMARRQ) or when data is transmitted (DMATRQ). Three different DMA channels are available (DMA1 - DMA3). Which channels are selected is determined by setting jumper blocks J10 and J11 (See Table 8, and Table 9). The sources of MPA-200's requests originate from the SCC and can be programmed for a variety of DMA modes. These modes include DMA request on transmit, DMA request on receive, and DMA request on both transmit and receive.

For DMA request on transmit, the DMA controller should be programmed first for an 8 bit read transfer on the desired channel, but not yet enabled. Then the SCC should be programmed for DMA request on transmit on the desired DMA source. The sources DMA request on transmit are either the W/REQA pin (pin 10) of channel A or the DTR/REQA pin (pin 16) of channel A. The source is then determined by bit D0 of the configuration register.

Note:

The DTR/REQA pin should only be used for DMA transfers if the user does not require a valid DTR signal at the connector. This is due to the fact that when DTR/REQA is used for DMA transfer it is not a valid handshake signal.

After programming the SCC for DMA, one should enable the DMA on the MPA-200 by setting bit D2 of the configuration register. Next, the DMA on the SCC should be enabled, and finally, the DMA channel should be unmasked. The DMA controller will write the data in memory to the SCC. When the transmit buffer of the SCC becomes empty, a DMA request will be generated and the data will be transferred.

For DMA request on receive, the DMA controller should be programmed first for an 8 bit write transfer on the desired channel, but not yet enabled. Next, the SCC should be programmed for DMA request on receive on the desired DMA source. The two sources for DMA request on receive are either the W/REQA pin (pin 10) of channel A or the W/REQB pin (pin 30) of channel B. The source is then determined by bit D1 on the configuration register. After programming the SCC for DMA, one should enable the DMA on the MPA-200 by setting bit D3 of the configuration register. Then, the DMA on the SCC should be enabled, and finally the DMA controller should be enabled. When a character enters the receive buffer

of the SCC, a DMA request is generated. The DMA controller then writes the data from the SCC into memory.

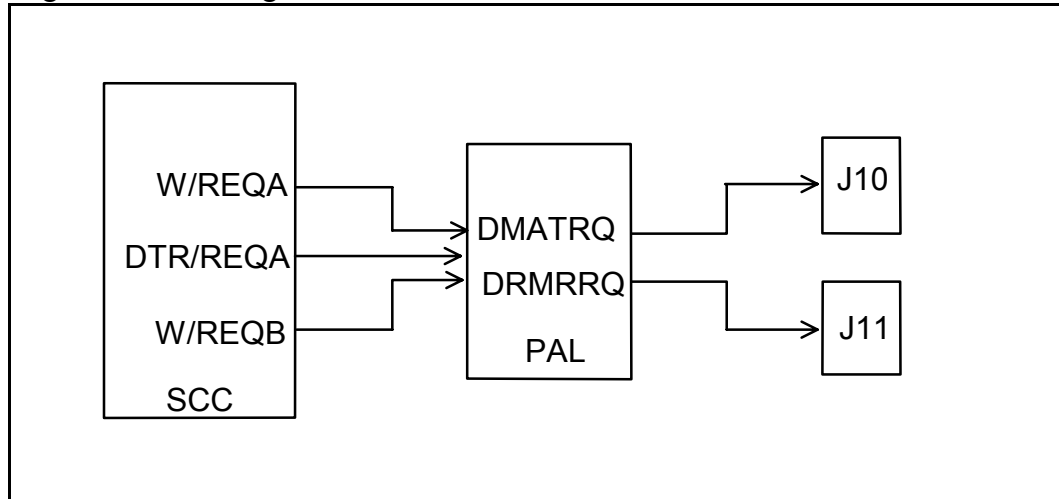
Programming for DMA request on both transmit and receive is simply a combination of the two. There are three possible configurations that can be used, depending on the sources selected. The first configuration available uses the W/REQA pin of channel A for DMA request on receive, and the DTR/REQA pin of channel A for DMA request on transmit. This is done by setting bit D0 and clearing bit D1 of the configuration register. The second configuration uses the DTR/REQA pin for DMA request on transmit, and the W/REQB pin for DMA request on receive. This is done by setting both D0 and D1 of the configuration register. These two configurations give users an optional way of performing DMA requests on both transmit and receive. Otherwise, the third configuration should be used. This configuration uses the W/REQA pin of channel A for DMA request on transmit, and the W/REQB pin of channel B for DMA request on receive. This is done by clearing bit D0 and setting bit D1 of the configuration register. Figure 3 shows a block diagram of the DMA circuitry on the MPA-200.

When using the channel A DTR/REQ pin for transmit DMA the SCC must be programmed so that the request release timing of this pin is identical to the WAIT/REQ timing. This is done by setting bit D4 of write register 7 prime.

NOTE:

Even though the W/REQA pin can be used for both DMA request on transmit and receive, obviously it cannot be used for both simultaneously. Therefore, bits D0 and D1 of the configuration register should never be cleared at the same time while bits D2 and D3 are both set. This situation may result in damage to the system.

Figure 3 Block diagram of DMA on MPA-200.



7.1 Using Terminal Count to Generate an Interrupt

The MPA-200 allows the option of generating an interrupt whenever the Terminal Count (TC) signal is asserted. Terminal Count is an indicator generated by the system's DMA controller, which signals that the number of transfers programmed into the DMA controller's transfer register have occurred. This board feature only works when the interrupt sharing feature is selected on jumper J4.

8 CONFIGURATION REGISTER

The MPA-200 is equipped with an onboard register used for configuring information such as DMA enables, DMA sources, interrupt enables, and interrupt sources. Below is a detailed description of the configuration register. The address of this register is Base+5. Table 13 details the bit definitions of the configuration register.

Table 13 Configuration Register - Read/Write

D7	D6	D5	D4	D3	D2	D1	D0
0	0	INTS1	INTS0	DMREN	DMTEN	RXSRC	TXSRC

D7-D6 Reserved, always 0.

D5-D4 - INTS1, INTS0, INTERRUPT SOURCE AND ENABLE BITS:

These two bits determine the source of the interrupt. The three sources are interrupt on terminal count (INTTC), interrupt from the SCC (INTSCC), and interrupt on Test Mode (INTTM). When the source is set, that interrupt becomes enabled. Below is the mapping for these bits.

INTS1	INTS0	Interrupt
0	0	Interrupts Disabled
0	1	INTTC
1	0	INTSCC
1	1	INTTM

D3 -DMREN, DMA ON RECEIVE ENABLE:

When set (logic 1), the signal from the SCC's receive DMA source is passed on to the selected ISA bus DRQ. When cleared (logic 0), the SCC cannot drive the receive request signal onto the ISA bus DRQ.

D2 -DMTEN, DMA ON TRANSMIT ENABLE:

When set (logic 1), the signal from the SCC's transmit DMA source is passed on to the selected ISA bus DRQ. When cleared (logic 0), the SCC cannot drive the transmit request signal onto the ISA bus DRQ.

D1 -RXSRC, RECEIVE DMA SOURCE:

When set (logic 1), this bit allows the source for receive DMA to come from the W/REQB pin of channel B on the SCC. When cleared (logic 0), the source for receive DMA comes from the W/REQA pin of channel A on the SCC.

D0 -TXSRC, TRANSMIT DMA SOURCE:

When set (logic 1), this bit allows the source for transmit DMA to come from the DTR/REQA pin of channel A on the SCC. When cleared (logic 0), the source for transmit DMA comes from the W/REQA pin of channel A on the SCC.

NOTE:

If both D0 and D1 are cleared (logic 0), then the transmit and receive DMA requests both come from the W/REQA pin of channel A on the SCC. Proper board function is not guaranteed under this condition.

9 COMMUNICATIONS REGISTER

The MPA-200 is equipped with an onboard communications register which gives the user options pertaining to the clocks and testing. The user can specify the source and type of clock to be transmitted or received. Test mode bits pertain only to the DTE versions and can be ignored if using a MPA-200 configured DCE. The address of this register is Base+4. Table 14 and the descriptions that follow detail the communications register.

NOTE:

The Local Loopback Test and the Remote Loopback Test cannot be performed simultaneously. Thus, bits D5 and D4 of the communications register should not be simultaneously set (logic 1) .

Table 14 COMMUNICATIONS Register - Read/Write

D7	D6	D5	D4	D3	D2	D1	D0
TM ST	0	LLEN	RLEN	RCKEN	TCKEN	RXDEN	TXDEN

D7 -TEST MODE STATUS (DTE only, read only):

This bit can read the status of the Test Mode signal on a DTE, allowing the user to monitor this signal without generating any interrupts.

D6 - Reserved, always 0.

D5 -LOCAL LOOPBACK ENABLE (DTE only):

When set (logic 1), this bit allows the DTE to test the functioning of the DTE/DCE interface and the transmit and receive sections of the local DCE. When cleared (logic 0), no testing occurs.

D4 -REMOTE LOOPBACK ENABLE (DTE only):

When set (logic 1), this bit allows the DTE to test the transmission path up to and through the remote DCE to the DTE interface and the similar return transmission path. When cleared (logic 0), no testing occurs. If jumper J8 is in place the Remote Loopback is also used to control the Sync input of the Channel A data receiver. This is useful in situations where it is desired to receive unformatted serial data.

- D3 -RECEIVE CLOCK ENABLE (DCE only):
When set (logic 1), this bit allows the DCE to transmit its receive clock (RCLK). When cleared (logic 0), the DCE receives its RCLK. Since a DTE can only receive its RCLK, writing to this bit has no effect on a DTE.
- D2 -TRANSMIT CLOCK ENABLE (DTE only):
When set (logic 1), this bit allows the DTE to transmit its transmit clock (TCLK). When cleared (logic 0), the DTE receives its TCLK. Since a DCE can only transmit its TCLK, writing to this bit has no effect on a DCE.
- D1 -RECEIVER ENABLE:
If J7 is configured to allow the Communications Register to control the MPA-200's receivers (see Table 10 on page 14) then when D1 is set (logic 1) the receivers are enabled and when D1 is cleared (logic 0) the receivers are disabled.
- D0 -TRANSMITTER ENABLE:
If J7 is configured to allow the Communications Register to control the MPA-200's receivers (see Table 10 on page 14) then when D0 is set (logic 1) the transmitters are enabled and when D0 is cleared (logic 0) the transmitters are disabled.

10 DTE / DCE Configuration

The MPA-200 can be purchased in either Data Terminal Equipment (DTE) or Data Communications Equipment (DCE) configuration. The two configurations share some important features, but have significant differences which need to be mentioned.

Both the DTE and DCE configurations allow the user to enable and disable the driver circuitry on the MPA-200 through the settings of jumper block J7. See the chapter JUMPER BLOCK CONFIGURATIONS on page 11 for further information on the configuration of this jumper block. They both also have the ability to receive data and receive clock (RCLK) on channel B of the SCC. This allows the user to transmit and receive on two different channels.

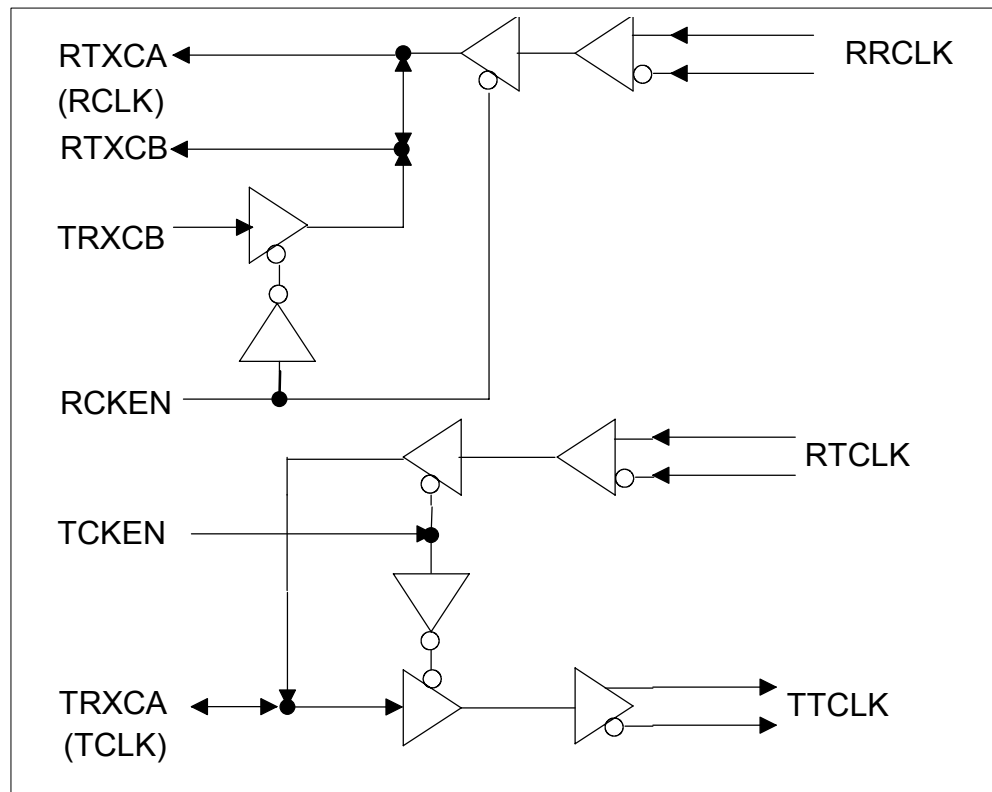
The differences between the MPA-200's DTE configuration and its DCE configuration include signal definitions, control signals, clocking options and testing. The following sections describe each configuration individually and in detail.

10.1 DTE Configuration

The control signals that the DTE can generate are the Request To Send (RTS) and Data Terminal Ready (DTR). It can receive the signals Carrier Detect (CD), Clear to Send (CTS), and Data Set Ready (DSR). All of the control signals are controlled through channel A of the SCC, with the exception of the DSR signal, which is received on channel B.

The DTE's transmit clock (TCLK from the SCC TRXCA pin) can be transmitted on TTCLK or received on RTCLK depending on TCKEN (D2 of the communications register). The receive clock (RCLK from the SCC RTxC pins) can be received on RRCLK or can be generated on the TRxCB pin of the SCC, depending on RCKEN (D3 of the communications register). The DTE can not transmit its RCLK. Figure 4 illustrates the clock circuitry of the MPA-200 for its DTE configuration.

Figure 2 DTE Clock Configuration



The testing signals that the DTE can generate are the Local Loopback Test (LL) and the Remote Loopback Test (RL). These signals can be controlled through the onboard communications register. The DTE can generate an interrupt when a Test Mode (TM) condition is received. Table 15 summarizes the signals on the DTE.

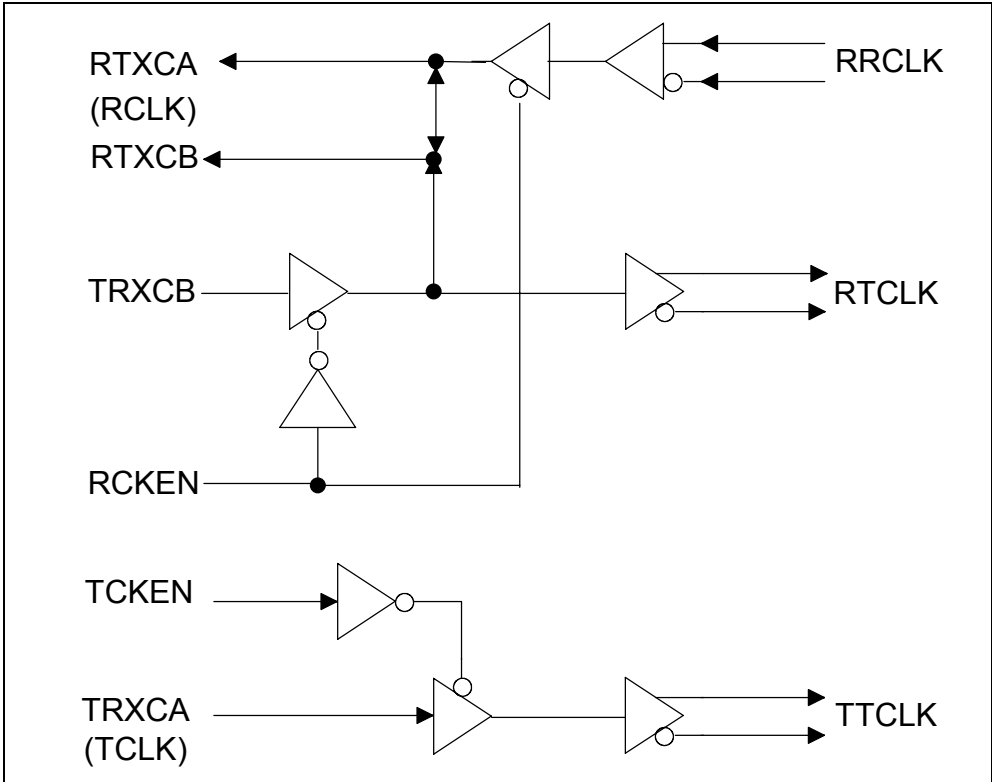
10.2 DCE Configuration

On the MPA-200, the difference between the DTE and DCE signals is that, with the exception of a few control signals, the pins used for signal transmission on the DTE are used for signal reception on the DCE and vice versa. For example, pin 2 of the DCE connector is received data, yet the corresponding DTE signal is the transmitted data. This allows the user to connect a DTE device to a DCE device and perform communication without the use of any customized cable or adapter.

The control signals that the DCE can generate are the Clear to Send (CTS), Carrier Detect (CD), and Data Set Ready (DSR). It can receive the signals Data Terminal Ready (DTR) and Ready to Send (RTS). All of the control signals are controlled through channel A of the SCC, with the exception of the CD signal, which is generated on channel B.

Depending on the value of TCKEN (D2 of the communications register) the DCE's transmit clock (TCLK from the SCC's TRXCA pin) can either be transmitted on TTCLK, or not used at all because the DCE can not receive a TCLK. Depending on the value of RCKEN (D3 of the communications register), the DCE's receive clock (RCLK from the SCC's RTXC pins) can either be received on RRCLK or generated on TRXCB of the SCC. In this second case, the signal from TRXCB is also transmitted on RTCLK. Figure 5 illustrates the clock circuitry of the MPA-200 for its DCE configuration.

Figure 3 DCE Clock Configuration



The Test Mode (TM) signal is always in the OFF condition and cannot be changed by the user. The Local Loopback (LL) and Remote Loopback (RL) test signals are not implemented on the DCE. Table 16 summarizes the signals on the DCE.

11 EXTERNAL CONNECTIONS

When configured as a DTE, the MPA-200 uses a D-25 short body male connector (labeled CN2). When configured as a DCE, the MPA-200 uses a D-25 long body female connector (labeled CN1). Table 15 and Table 16 describe the pin out definitions for both connectors and Figure 6 and Figure 7 illustrate the pin-outs for each of the connectors..

Table 15 DTE Connector Pin Definitions

Pin	Signal	SCC Pin
1	CGND	
2	+TXD	TXDA
3	+RXD	RXDA
4	+RTS	RTSA
5	+CTS	CTSA
6	+DSR	DCDB
7	DGND	
8	+CD	DCDA
9	-RRCLK	RTXC
10	-CD	DCDA
11	-TTCLK	TRXCA
12	-RTCLK	TRXCB
13	-CTS	CTSA
14	-TXD	TXDA
15	+RTCLK	TRXCB
16	-RXD	RXDA
17	+RRCLK	TRXC
18	LLBK	COMM REG D5
19	-RTS	RTSA
20	+DTR	DTR/REQA
21	RLBK	COMM REG D4
22	-DSR	DCDB
23	-DTR	DTR/REQA
24	+TTCLK	TRXCA
25	TEST MODE	COMM REG D7

Table 16 DCE Connector Pin Definitions

Pin	Signal	Source
1	No Connect	
2	+RXD	RXDA
3	+TXD	TXDA
4	+CTS	CTSA
5	+RTS	RTSA
6	+DTR	DTR/REQA
7	DGND	
8	+CD	DTR/REQB
9	-TTCLK	TRXCA
10	-CD	DTR/REQB
11	-RRCLK	TRXC
12	-RTCLK	TRXCB
13	-RTS	RTSA
14	-RXD	RXDA
15	+RTCLK	TRXCB
16	-TXD	TXDA
17	+TTCLK	TRXCA
18	No Connect	
19	-CTS	CTSA
20	+DSR	DCDA
21	No Connect	
22	-DTR	DTR/REQA
23	-DSR	DCDA
24	+RRCLK	TRXC
25	TEST MODE	Always Zero

Figure 4 MPA-200 DTE Output Connector

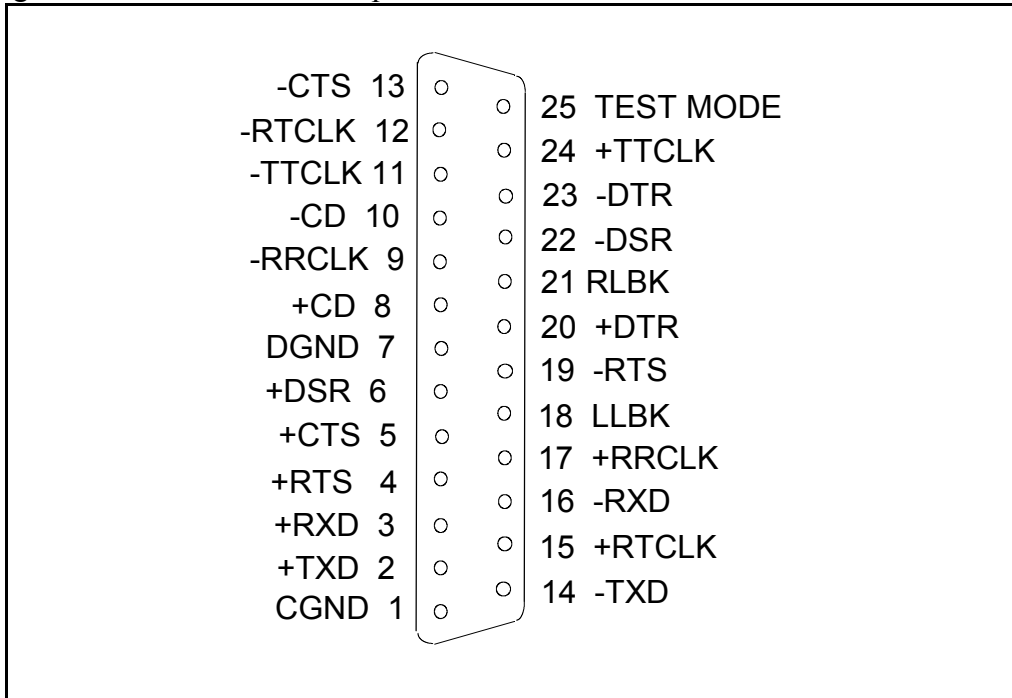
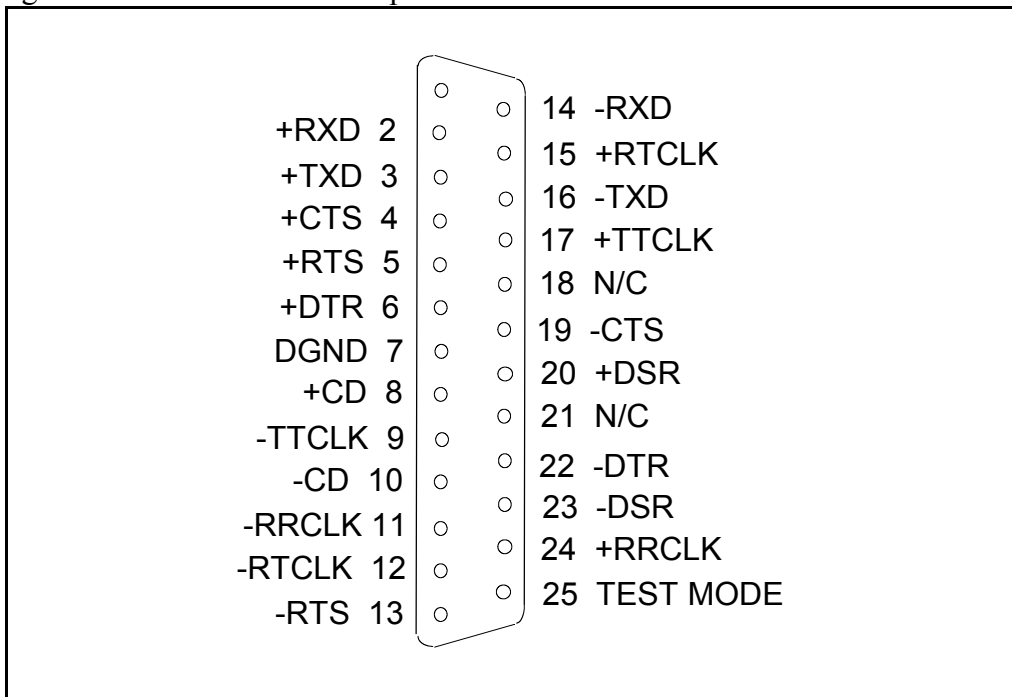


Figure 5 MPA-200 DCE Output Connector



11.1 MPA-200 and EIA-530 Compatibility

If the MPA-200 is to be connected with an EIA-530 device, it may be necessary to swap the +/- conductors on the TXD and RXD signals.

11.2 Null-Modem Cables

The MPA-200 does not use a standard asynchronous PC serial port connector pin out. Typical off-the-shelf null-modem cables cannot be used with this card.

12 DEFINITION OF INTERFACE SIGNALS

CIRCUIT AB - SIGNAL GROUND

- **CONNECTOR NOTATION:** DGND
- **DIRECTION:** Not applicable
This conductor directly connects the DTE circuit ground to the DCE circuit ground.

CIRCUIT CC - DATA SET READY (DSR)

- **CONNECTOR NOTATION:** +DSR,-DSR
- **DIRECTION:** From DCE
This signal indicates the status of the local DCE by reporting to the DTE device that a communication channel has been established.

CIRCUIT BA - TRANSMITTED DATA (TxD)

- **CONNECTOR NOTATION:** +TXD,-TXD
- **DIRECTION:** To DCE
This signal transfers the data generated by the DTE through the communication channel to one or more remote DCE data stations.

CIRCUIT BB - RECEIVED DATA (RxD)

- **CONNECTOR NOTATION:** +RXD,-RXD
- **DIRECTION:** From DCE
This signal transfers the data generated by the DCE through the communications channel to one or more remote DTE data stations.

CIRCUIT DA - TRANSMIT ELEMENT TIMING (TxcLK- DTE Source)

- **CONNECTOR NOTATION:** +TTCLK,-TTCLK
- **DIRECTION:** To DCE
This signal, generated by the DTE, provides the DCE with element timing information pertaining to the data transmitted by the DTE. The DCE can use this information for its received data.

CIRCUIT DB - TRANSMIT ELEMENT TIMING (TxClk - DCE Source)

- CONNECTOR NOTATION: +RTCLK,-RTCLK
- DIRECTION: From DCE
This signal, generated by the DCE, provides the DTE with element timing information pertaining to the data transmitted to the DCE.

CIRCUIT DD - RECEIVER ELEMENT TIMING (RxClk - DCE Source)

- CONNECTOR NOTATION: +RRCLK,-RRCLK
- DIRECTION: From DCE
This signal, generated by the DCE, provides the DTE with element timing information pertaining to the data transmitted by the DCE.

CIRCUIT CA - REQUEST TO SEND (RTS)

- CONNECTOR NOTATION: +RTS,-RTS
- DIRECTION: To DCE
This signal controls the data channel transmit function of the local DCE and, on a half-duplex channel, the direction of the data transmission of the local DCE.

CIRCUIT CB - CLEAR TO SEND (CTS)

- CONNECTOR NOTATION: +CTS,-CTS
- DIRECTION: From DCE
This signal indicates to the DTE whether the DCE is conditioned to transmit data on the communication channel.

CIRCUIT CF - CARRIER DETECT (CD)

- CONNECTOR NOTATION: +CD,-CD
- DIRECTION: From DCE
This signal indicates to the DTE whether the DCE is conditioned to receive data from the communication channel, but does not indicate the relative quality of the data signals being received.

CIRCUIT CD - DTE READY (DTR)

- CONNECTOR NOTATION: +DTR,-DTR
- DIRECTION: To DCE
This signal controls the switching of the DCE to the communication channel. The DTE will generate this signal to prepare the DCE to be connected to or removed from the communication channel.

CIRCUIT LL - LOCAL LOOPBACK (LL)

- CONNECTOR NOTATION: LLBK
- DIRECTION: To DCE
This signal provides a means whereby a DTE may check the functioning of the DTE/DCE interface and the transmit and receive sections of the local DCE.

Note:

The local loopback and remote loopback signals are optional and are omitted from the DCE configuration of the MPA-200. Since testing will never occur for this configuration, the test mode signal will always be in the OFF condition for the DCE. These three test signals follow the EIA-423-A standard while the remaining signals follow the EIA-422-A standard.

CIRCUIT RL - REMOTE LOOPBACK (RL)

- CONNECTOR NOTATION: RLBK
- DIRECTION: To DCE
This signal provides a means whereby a DTE or a facility test center may check the transmission path up to and through the remote DCE to the DTE interface and the similar return transmission path.

CIRCUIT TM - TEST MODE (TM)

- CONNECTOR NOTATION: TEST MODE
- DIRECTION: From DCE
This signal indicates to the DTE that the DCE is in a test condition. The DCE generates this signal when it has received a local loopback or remote loopback signal from the DTE.

13 SPECIFICATIONS

Bus interface:	IBM AT 16-bit bus	
Controller:	Serial Communications Controller, 6 MHz (determined by user, typically an Intel 82530).	
Physical Dimensions:	7.65" x 4.2"	
Interface:	DTE: male D-25 connector DCE: female D-25 connector	
Transmit drivers:	EIA-422:	MC3487 or compatible
	EIA-423:	MC3488 or compatible
	EIA-485:	75174 or compatible
Receive buffers:	EIA-422:	MC3486 or compatible
	EIA-423:	75176 or compatible
	EIA485:	75175 or compatible
Transceivers:	EIA-422:	75176 or compatible
	EIA-485:	75176 or compatible
I/O Address range:	0000H - FFFFH	
Interrupt levels:	IRQ 2-7, 10-12, 14-15	
Power requirements:		

I_{Typ} (mA)	I_{Max} (mA)	Supply Voltage (Volts)
1248	1402	5
25	36	12
25	36	-12

MPA-200/300
User's Manual
Version 5.31
March 2004
Part No. 940-0038-531

Free Manuals Download Website

<http://myh66.com>

<http://usermanuals.us>

<http://www.somanuals.com>

<http://www.4manuals.cc>

<http://www.manual-lib.com>

<http://www.404manual.com>

<http://www.luxmanual.com>

<http://aubethermostatmanual.com>

Golf course search by state

<http://golfingnear.com>

Email search by domain

<http://emailbydomain.com>

Auto manuals search

<http://auto.somanuals.com>

TV manuals search

<http://tv.somanuals.com>