

IMPORTANT PRECAUTIONS

- Always handle the disc drive carefully, holding its edges or frame. Do not touch the connectors or any part of the printed circuit board.
- Keep the drive in its antistatic bag until you are ready to install it.
- Set the drive down only on a flat, padded, non-static surface.
- This drive is susceptible to damage from electrostatic discharge. Before handling the drive, ground yourself by touching the grounded chassis of your computer. For optimum protection, wear a grounded antistatic wrist strap.
- Make sure your computer is turned off before opening the case. Do not unplug your computer if you will be using it for antistatic grounding.
- Do not remove the drive cover. The drive contains no user-serviceable components.
- Save your Seagate packing materials for future use. Using any other container or packing material voids your drive warranty and may damage your drive.

LIMITED WARRANTY STATEMENT

Seagate warrants that your Seagate disc drive will be free from defects in material and workmanship and will perform to Seagate's applicable specifications for Seagate's three-year warranty period. The warranty period will be calculated from the date of original purchase.

Seagate will replace, at no charge, any drive that does not meet our warranty. The drive must be returned in the packaging provided by Seagate with transportation charges paid to the authorized Seagate destination.

This warranty is void if defect has resulted from accident, abuse, unauthorized repair or misapplication.

DISCLAIMER: EXCEPT FOR THE ABOVE EXPRESS LIMITED WARRANTIES OR CONDITIONS, SEAGATE MAKES NO WARRANTIES ON THE PRODUCTS, EXPRESS, IMPLIED, OR STATUTORY, AND SEAGATE SPECIFICALLY DISCLAIMS ANY IMPLIED WARRANTY OR CONDITION OF MERCHANT ABILITY OR FITNESS FOR A PARTICULAR PURPOSE. THIS LIMITED WARRANTY GIVES YOU SPECIFIC LEGAL RIGHTS. YOU MAY HAVE OTHERS, WHICH VARY FROM STATE TO STATE.

IN NO EVENT WILL SEAGATE'S LIABILITY OF ANY KIND INCLUDE ANY LOST PROFITS, LOSS OF USE, LOSS OF DATA, OR ANY SPECIAL, INCIDENTAL, OR CONSEQUENTIAL DAMAGES, EVEN IF SEAGATE HAS KNOWLEDGE OF THE POSSIBILITY OF THE POTENTIAL LOSS OR DAMAGE. Some states do not allow for the exclusion or limitation of liability for incidental or consequential damages in connection with the furnishing, performance, or use of this material. Seagate reserves the right to change, without notice, product offerings or specifications.

Seagate®, Seagate Technology®, and the Seagate logo are registered trademarks of Seagate Technology, Inc. SeaTDD™, SeaBOARD™ and SeaFAX™ are trademarks of their owners.

© 1996 Seagate Technology, Inc. All rights reserved.
 No part of this publication may be reproduced in any form without written permission from Seagate Technology, Inc. P/N 21200027-001, Rev. B

Technical support services

Please read this installation guide before you install your new drive. If you are not familiar with the procedures outlined here, have a qualified computer technician perform the drive installation. If you need assistance installing this drive, first consult your dealer, who can help you with system conflicts and other technical issues. If you need additional assistance, use one of the services listed below, or call the Seagate support line at 1-800-426-6637.

SeaBOARD: Use a modem to contact the Seagate computer bulletin board, which supports communications up to 9,600 baud (8-N-1). SeaBOARD is available 24 hours daily.

USA	408-438-8771	France	(+33 1) 48 25 35 95
Germany	49-89-140-9331	England	44-1-62-847-8011
Singapore	65-292-6973	Thailand	662-531-8111
Australia	61-2-756-2359	Korea	82-2-556-7294

SeaFAX: Use a touch-tone telephone to access Seagate's automated FAX system to receive technical information by return FAX. This service is available 24 hours daily.

USA 408-438-2620 England 44-1-62-847-7080

SeaTDD: Use a telecommunications device for the deaf (TDD) to exchange messages with a technical support specialist. 408/438-5382

Internet Connections: <http://www.seagate.com>

<ftp://ftp.seagate.com>

Compuserve Forum: type GO SEAGATE

Seagate

QUICK INSTALLATION GUIDE

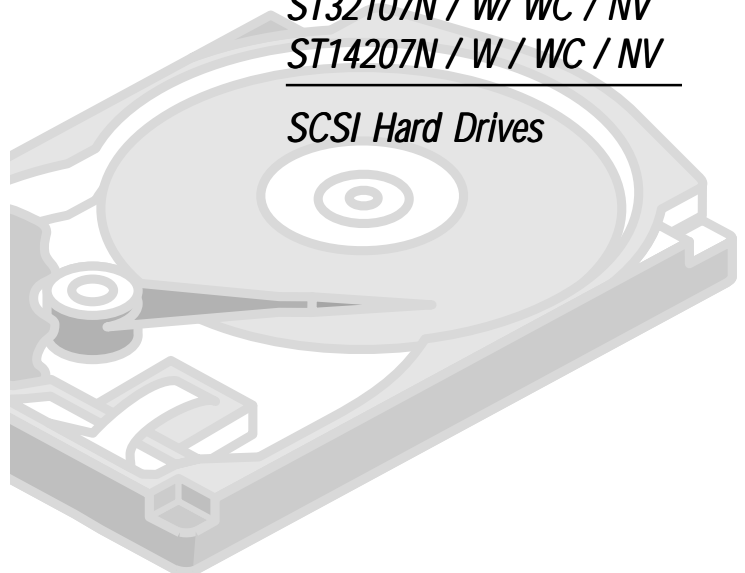
ST31080N / WC

ST32105N / W / WC

ST32107N / W / WC / NV

ST14207N / W / WC / NV

SCSI Hard Drives



INSTALLATION

Steps:

1. Turn off the computer and all attached peripheral equipment, such as printers and monitors.
2. Disconnect the AC power cable from the computer.
3. Remove the screws attaching the computer's cover, and remove the cover from the system.
4. Remove the drive from the ESD (Electro Static Discharge) bag, carefully placing the drive on your work surface.
5. Configure the disk drive jumpers as necessary. Refer to table below for more details.
6. Remove SCSI terminator resistor packs (2) in all drives on the SCSI bus except for the last drive in the chain.
7. Remove and retain any hardware that may be attached to the selected bay.
8. Connect the cables; align the colored striped edge of the interface cable to pin 1 of the drive SCSI interface connector.
9. Partially insert the drive into the drive bay. Select an unused power connector from the power supply and connect it to the drive. If there are no unused power connections on the power supply, you can purchase a "Y" cable adapter from your dealer. This connector will allow you to add another power connection for your new drive.
10. Now that the drives are jumpered, connected, and have power cables attached, secure the drive or the mounting frame with four 6-32x.25 screws.

CAUTION: Do not use screws of excess length when attaching the drive. Damage to the drive's circuit board could result. The maximum insertion in bottom holes is .25", the maximum insertion for side holes is .125".

SCSI Disk Drive Models

	Total Blocks	Tables LED	Jumper Table	Notes	Warranty (Years)
ST31080N/WC	2,110,812	D	a	2	5
ST32105N/W/WC	4,194,304	D	b,c	1,2	5
ST32107N/W/WC/NV	4,194,304	D	b,c	1,2	5
ST14207N/W/WC/NV	8,388,608	D	b,c	1,2	5

Jumper Table

a	ID0	ID1	ID2	N/A
b	E1	E2	E3	N/A
c	OE1	OE2	OE3	N/A

SCSI ID

0	OUT	OUT	OUT	OUT
1	IN	OUT	OUT	OUT
2	OUT	IN	OUT	OUT
3	IN	IN	OUT	OUT
4	OUT	OUT	IN	OUT
5	IN	OUT	IN	OUT
6	OUT	IN	IN	OUT
7	IN	IN	IN	OUT
8	OUT	OUT	OUT	IN
9	IN	OUT	OUT	IN
10	OUT	IN	OUT	IN
11	IN	IN	OUT	IN
12	OUT	OUT	IN	IN
13	IN	OUT	IN	IN
14	OUT	IN	IN	IN
15	IN	IN	IN	IN

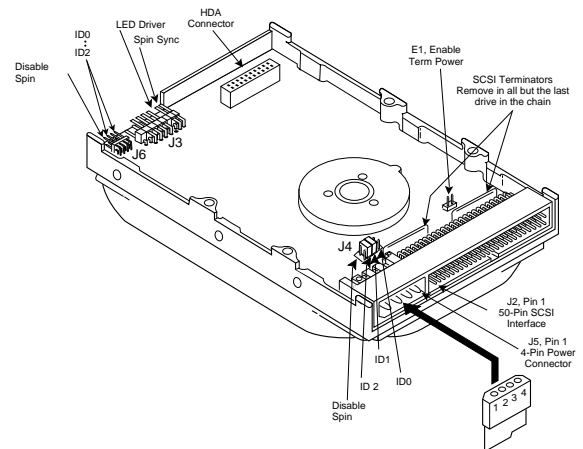
LED Configuration Table

Letter	Connector	LED+	LED-
B	J-1	Pin 3	Pin 4
C	J-5	Pin 3	Pin 4
D	J-3	Pin 3	Pin 4
E	J-7	Pin 1	Pin 2

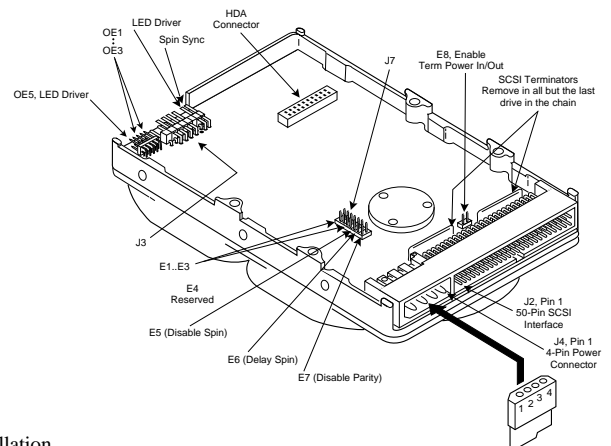
Notes

- Note 1 - "W" drives use Jumper Table c, e
 Note 2 - "WC" drives have no jumpers
 Note 3 - Parity is enabled by default. Install jumper E7 to disable parity.
 Note 4 - Most SCSI host adapters are compatible with Seagate drives. Software drivers and installation instructions are provided with the host adapter. Most drives are shipped with SCSI ID set to 6.
 * - On some drives J5 may be replaced with an LED.

ST31080N/WC



ST32105/32107/14207/N/W/WC/NV



Free Manuals Download Website

<http://myh66.com>

<http://usermanuals.us>

<http://www.somanuals.com>

<http://www.4manuals.cc>

<http://www.manual-lib.com>

<http://www.404manual.com>

<http://www.luxmanual.com>

<http://aubethermostatmanual.com>

Golf course search by state

<http://golfingnear.com>

Email search by domain

<http://emailbydomain.com>

Auto manuals search

<http://auto.somanuals.com>

TV manuals search

<http://tv.somanuals.com>