

sears

Please refer to part numbers when reordering
For questions or comments about product:
Email: customerservice@yotrious.com or Call toll-free: 1-866-905-4107

Made in / Hecho en CHINA
Distributed by Sears, Roebuck and Co., Hoffman Estates, IL 60179

See our extensive assortment of outdoor living products
on-line at www.sears.com and www.kmart.com

OWNER'S MANUAL

11.5' Steel Round Offset Umbrella with Plastic Base

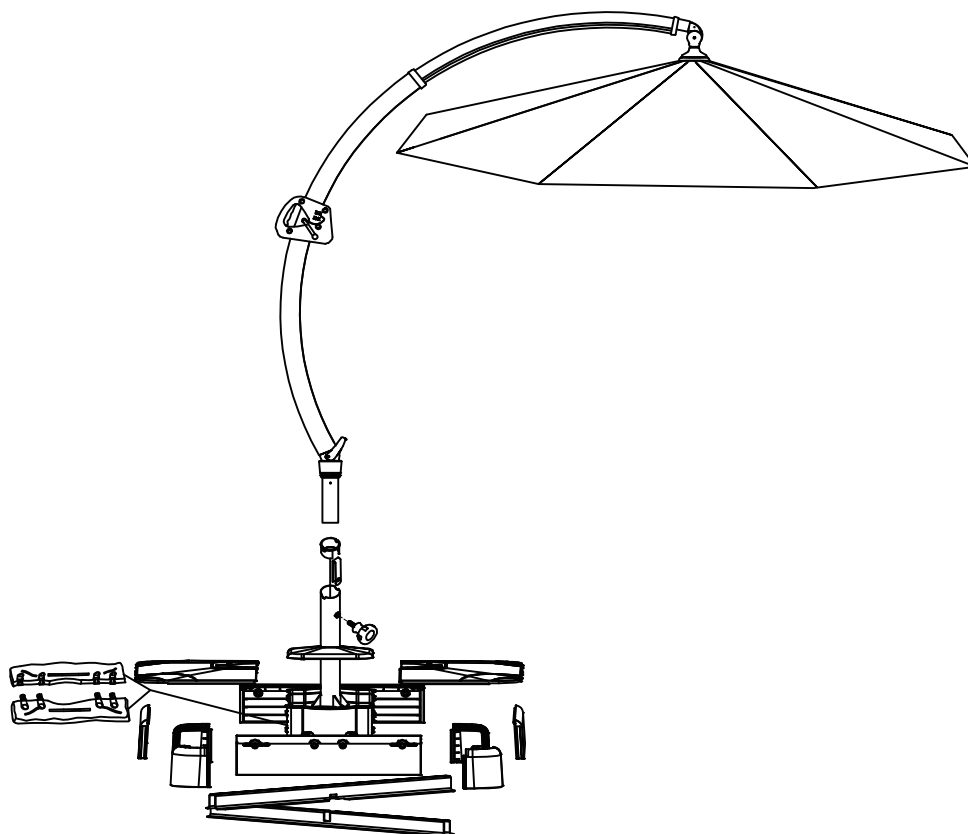
Product Code: D71 M83925
KSN: 02620581-5
UPC Code: 848681006023

Date of Purchase: ____/____/____

PARTS

Read through all the instructions before beginning assembly. Unpack and identify all the parts. Place them on a flat, non-abrasive surface. Assembly by two people is recommended.

ITEM	DESCRIPTION	QUANTITY
------	-------------	----------

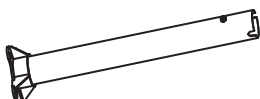


ACCESSORIES

A(1)
Lower Bracket



C(1)
Base Tube



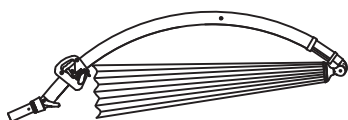
E(4)
Flat Washer



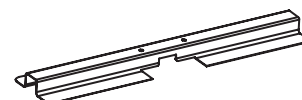
G(1)
Tube Rim



I(1)
Sunshade



B(1)
Upper Bracket



D(4)
M8x20mm Bolts



F(1)
Knob



H(1)
Metal Sheet



J(1)
Wrench



ACCESSORIES

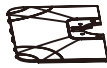
K(4)
Corner Connector



M(2)
Side Panel M



O(2)
Upper Base Cover O



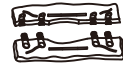
Q(1)
Upper Base Cover Q



L(2)
Side Panel L



N(1)
Sand Bag



P(1)
Rotating Cover

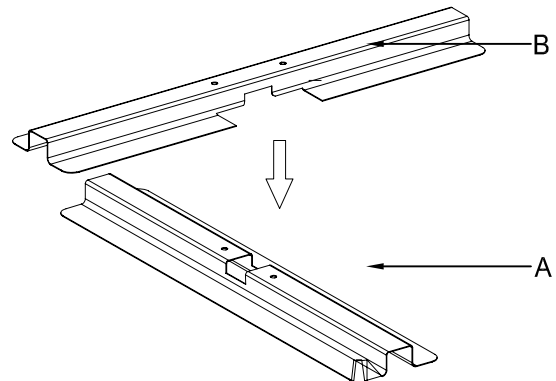
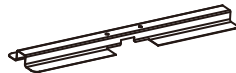


Assembly Instruction

1. A x 1



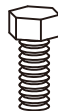
B x 1



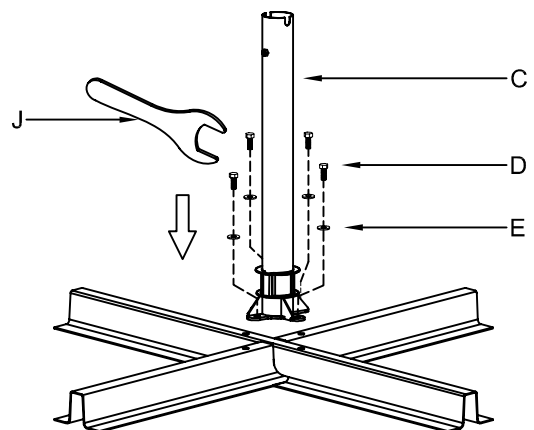
2. C x 1



D x 4



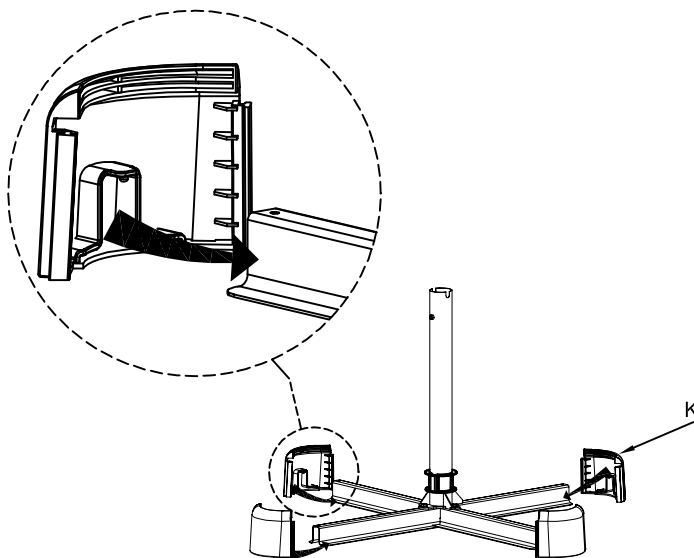
E x 4



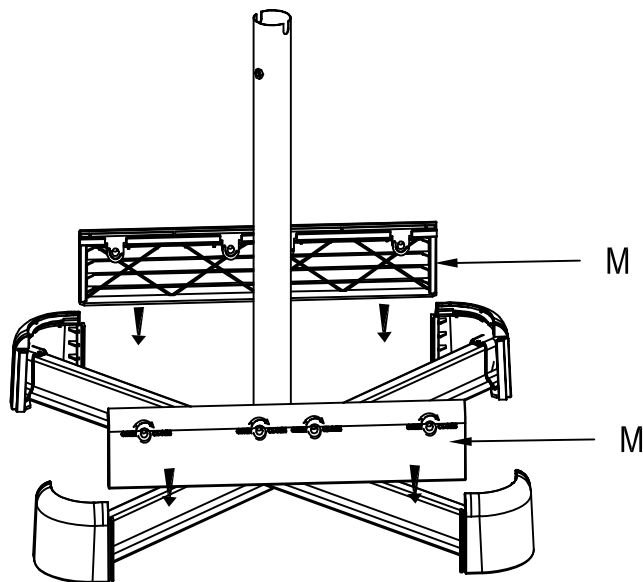
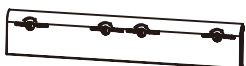
Securely tighten all Screws.

Assembly Instruction

3. K x 4



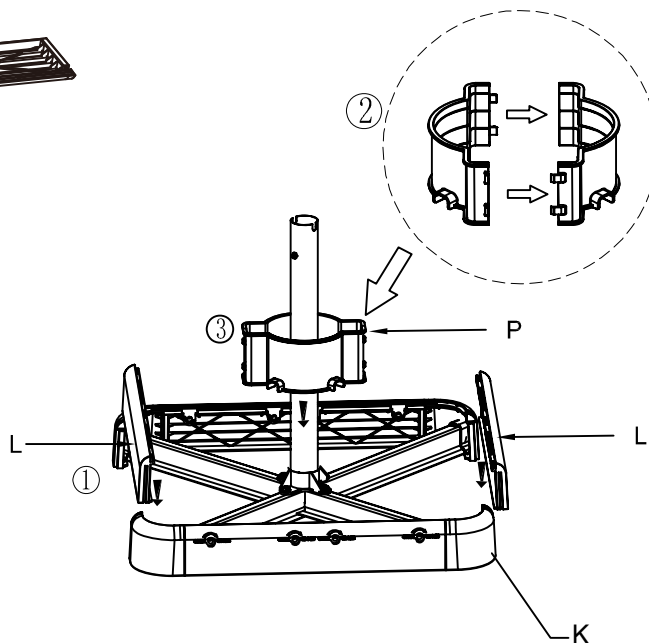
4. M x 2



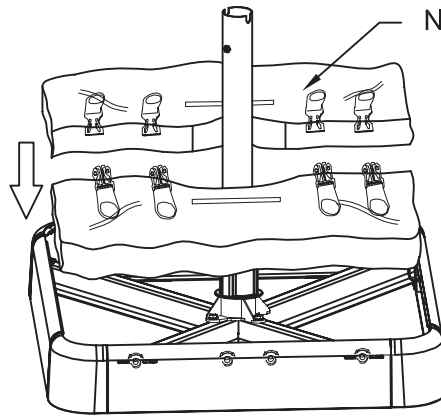
5. L x 2



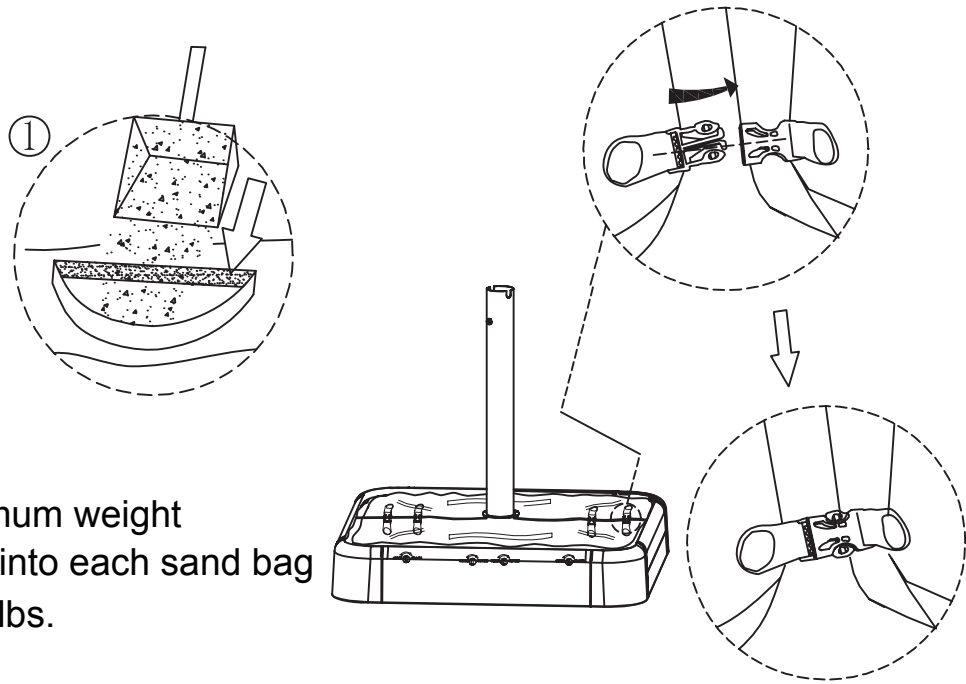
P x 2



Assembly Instruction



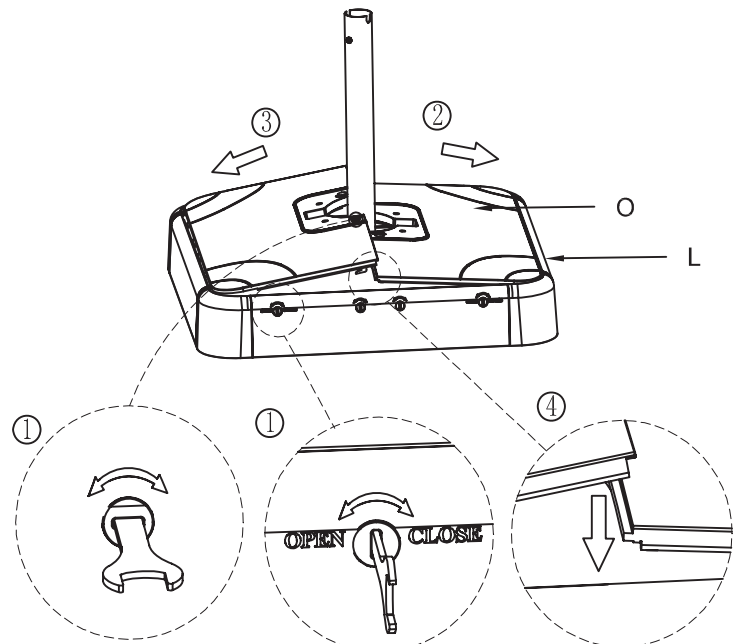
7.



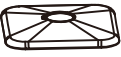
The recommended minimum weight of the sand to be placed into each sand bag is 88lbs for a total of 176lbs.

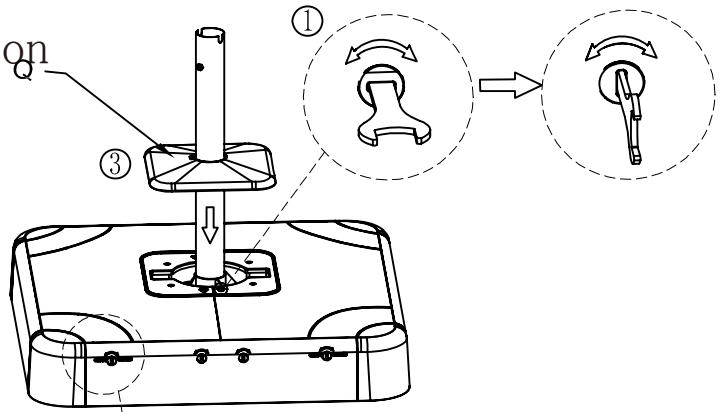
8.

Check the locker first to make sure it is at the right position.

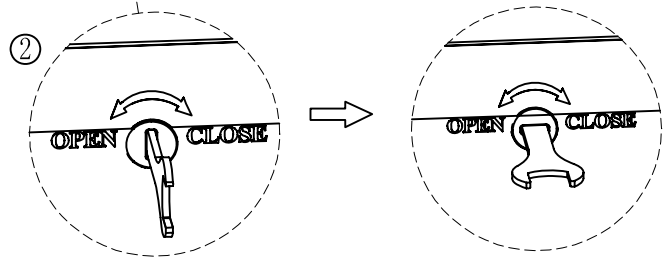



Assembly Instruction


9. Q x 1 




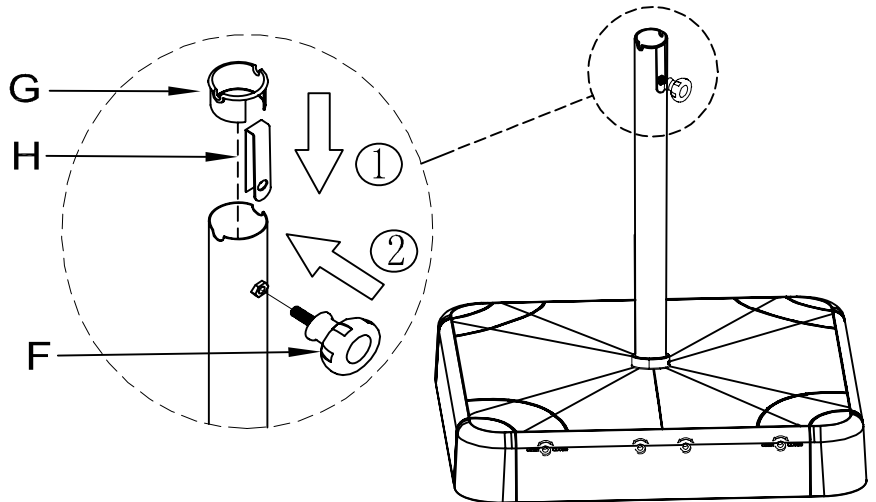
Please ensure to lock all the 8 locks clockwise.



10. F x 1 

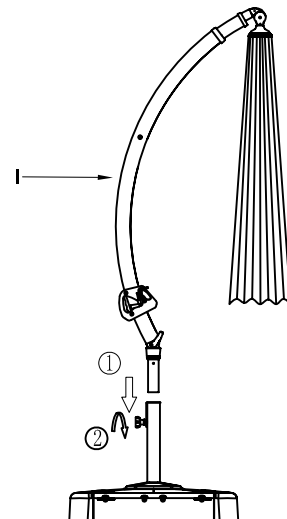
G x 1 

H x 1 



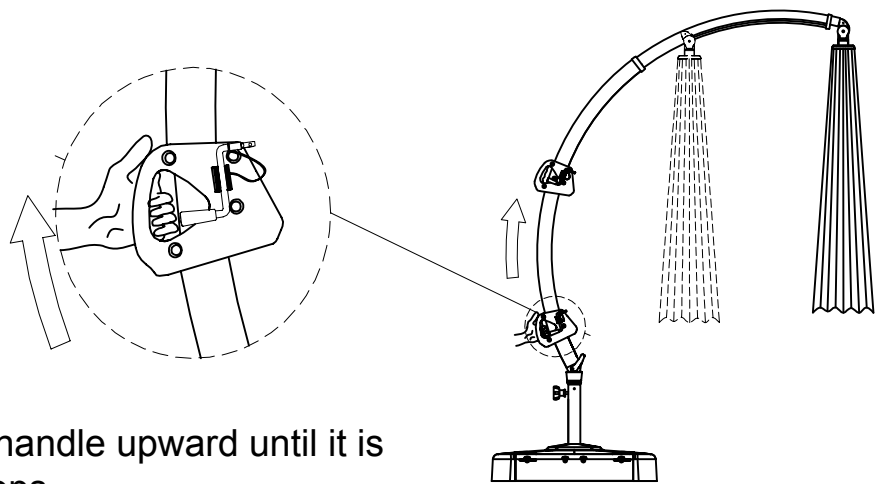
11. I x 1 

Securely tighten the knob clockwise.



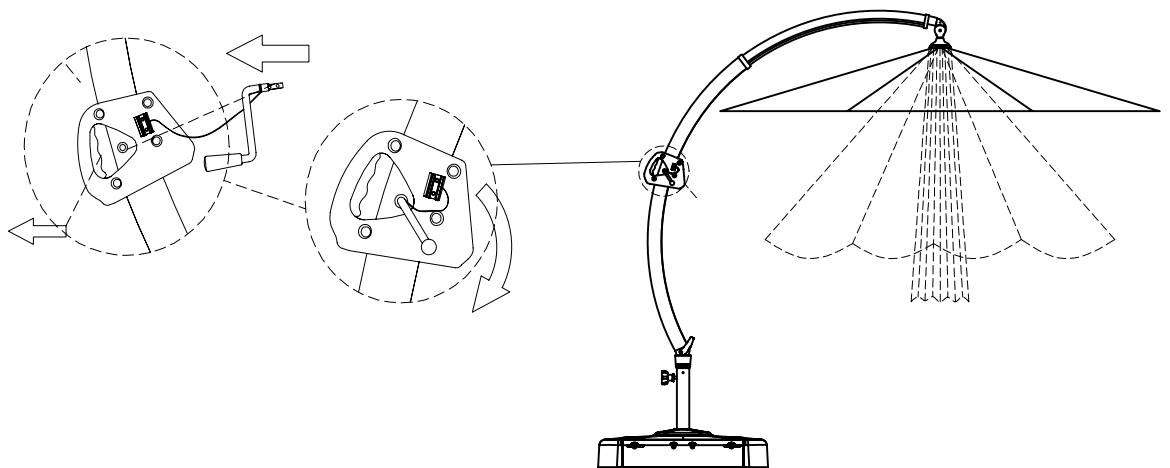
Assembly Instruction

12.



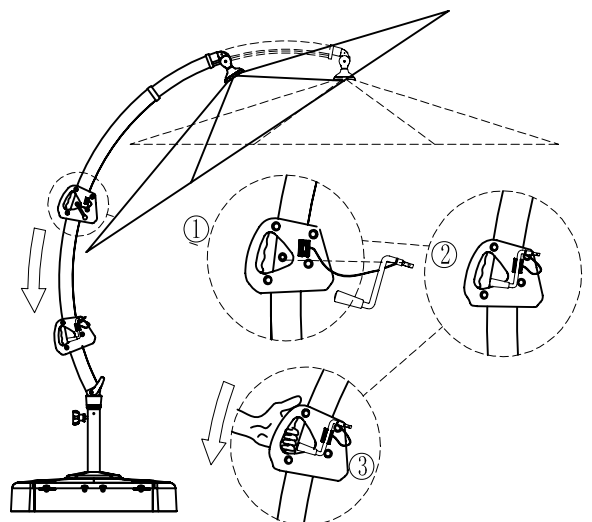
Slide umbrella crank handle upward until it is fully extended and stops.

13.



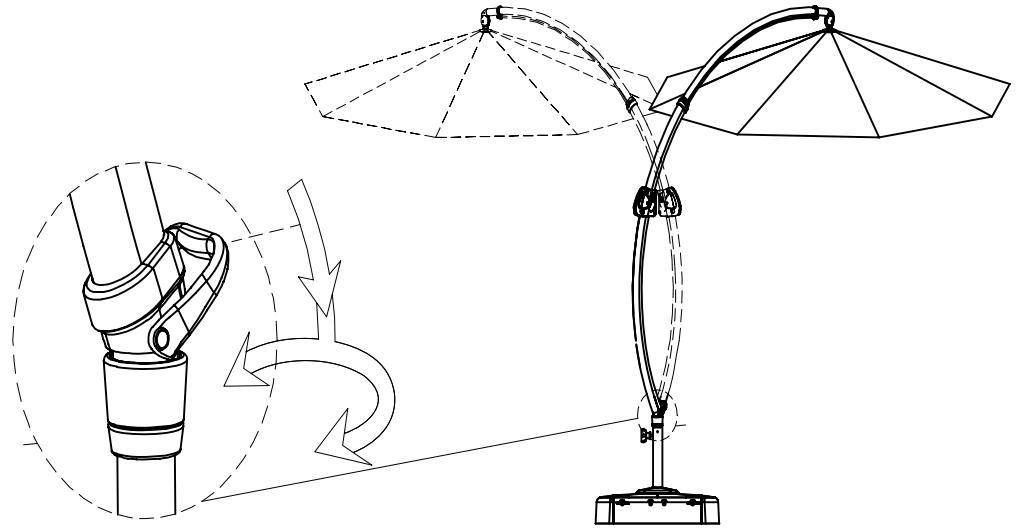
14.

The umbrella canopy can be adjusted to different positions by moving the umbrella crank handle downward.

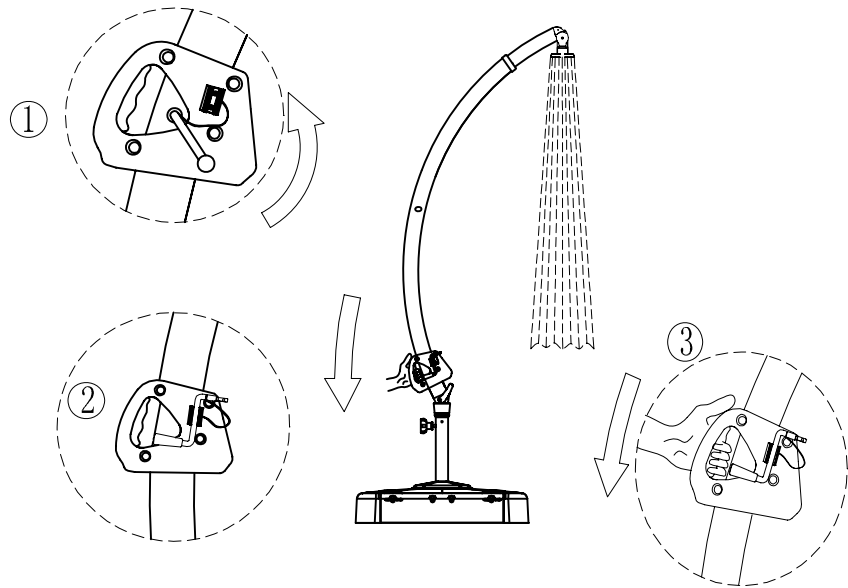


Assembly Istruction

15.



16.



Free Manuals Download Website

<http://myh66.com>

<http://usermanuals.us>

<http://www.somanuals.com>

<http://www.4manuals.cc>

<http://www.manual-lib.com>

<http://www.404manual.com>

<http://www.luxmanual.com>

<http://aubethermostatmanual.com>

Golf course search by state

<http://golfingnear.com>

Email search by domain

<http://emailbydomain.com>

Auto manuals search

<http://auto.somanuals.com>

TV manuals search

<http://tv.somanuals.com>