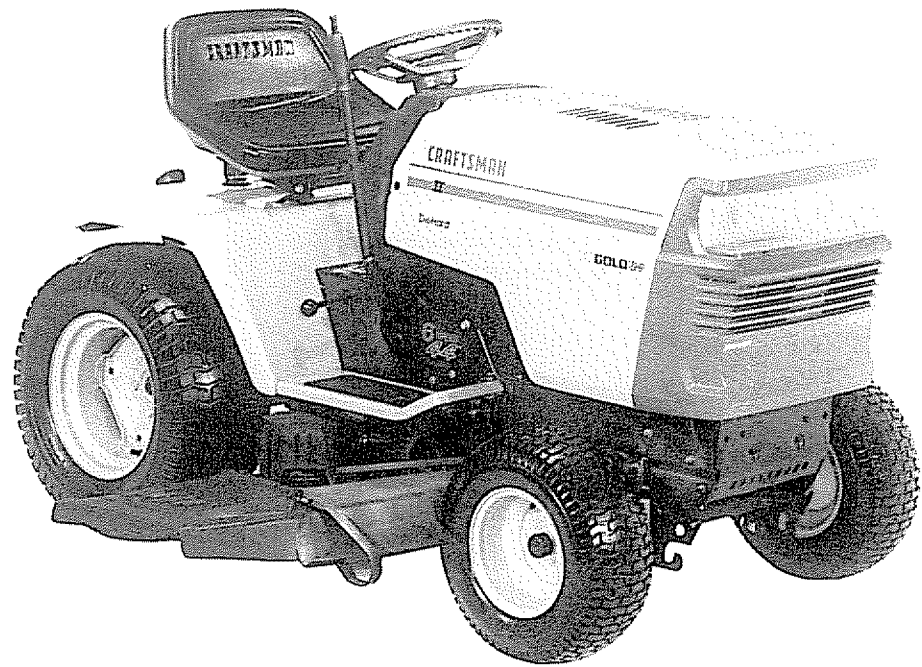


SEARS

CRAFTSMAN®

MODEL NUMBER 917.255970 OWNER'S MANUAL

- **Assembly**
- **Operation**
- **Customer Responsibilities**
- **Service**
- **Adjustments**
- **Repair Parts**



Caution:
Read and Follow
all Safety Rules
and Instructions
Before Operating
This Equipment

Sears, Roebuck and Co., Hoffman Estates, IL. 60179 U.S.A.



SAFETY RULES

Safe Operation Practices for Ride-On Mowers



IMPORTANT: THIS CUTTING MACHINE IS CAPABLE OF AMPUTATING HANDS AND FEET AND THROWING OBJECTS. FAILURE TO OBSERVE THE FOLLOWING SAFETY INSTRUCTIONS COULD RESULT IN SERIOUS INJURY OR DEATH.

I. GENERAL OPERATION

- Read, understand, and follow all instructions in the manual and on the machine before starting.
- Only allow responsible adults, who are familiar with the instructions, to operate the machine.
- Clear the area of objects such as rocks, toys, wire, etc., which could be picked up and thrown by the blade.
- Be sure the area is clear of other people before mowing. Stop machine if anyone enters the area.
- Never carry passengers.
- Do not mow in reverse unless absolutely necessary. Always look down and behind before and while backing.
- Be aware of the mower discharge direction and do not point it at anyone. Do not operate the mower without either the entire grass catcher or the guard in place.
- Slow down before turning.
- Never leave a running machine unattended. Always turn off blades, set parking brake, stop engine, and remove keys before dismounting.
- Turn off blades when not mowing.
- Stop engine before removing grass catcher or unclogging chute.
- Mow only in daylight or good artificial light.
- Do not operate the machine while under the influence of alcohol or drugs.
- Watch for traffic when operating near or crossing roadways.
- Use extra care when loading or unloading the machine into a trailer or truck.

II. SLOPE OPERATION

Slopes are a major factor related to loss-of-control and tipover accidents, which can result in severe injury or death. All slopes require extra caution. If you cannot back up the slope or if you feel uneasy on it, do not mow it.

DO:

- Mow up and down slopes, not across.
- Remove obstacles such as rocks, tree limbs, etc.
- Watch for holes, ruts, or bumps. Uneven terrain could overturn the machine. *Tall grass can hide obstacles.*
- Use slow speed. Choose a low gear so that you will not have to stop or shift while on the slope.
- Follow the manufacturer's recommendations for wheel weights or counterweights to improve stability.
- Use extra care with grass catchers or other attachments. These can change the stability of the machine.
- Keep all movement on the slopes *slow* and *gradual*. Do not make sudden changes in speed or direction.
- Avoid starting or stopping on a slope. If tires lose traction, disengage the blades and proceed slowly *straight* down the slope.

DO NOT:

- *Do not* turn on slopes unless necessary, and then, turn slowly and gradually downhill, if possible.
- *Do not* mow near drop-offs, ditches, or embankments. The mower could suddenly turn over if a wheel is over the edge of a cliff or ditch, or if an edge caves in.
- *Do not* mow on wet grass. Reduced traction could cause sliding.
- *Do not* try to stabilize the machine by putting your foot on the ground.
- *Do not* use grass catcher on steep slopes.

III. CHILDREN

Tragic accidents can occur if the operator is not alert to the presence of children. Children are often attracted to the machine and the mowing activity. *Never* assume that children will remain where you last saw them.

- Keep children out of the mowing area and under the watchful care of another responsible adult.
- Be alert and turn machine off if children enter the area.
- Before and when backing, look behind and *down* for small children.
- Never carry children. They may fall off and be seriously injured or interfere with safe machine operation.
- Never allow children to operate the machine.
- Use extra care when approaching blind corners, shrubs, trees, or other objects that may obscure vision.

IV. SERVICE

- Use extra care in handling gasoline and other fuels. They are flammable and vapors are explosive.
 - Use only an approved container.
 - Never remove gas cap or add fuel with the engine running. Allow engine to cool before refueling. Do not smoke.
 - Never refuel the machine indoors.
 - Never store the machine or fuel container inside where there is an open flame, such as a water heater.
- Never run a machine inside a closed area.
- Keep nuts and bolts, especially blade attachment bolts, tight and keep equipment in good condition.
- Never tamper with safety devices. Check their proper operation regularly.
- Keep machine free of grass, leaves, or other debris build-up. Clean oil or fuel spillage. Allow machine to cool before storing.
- Stop and inspect the equipment if you strike an object. Repair, if necessary, before restarting.
- Never make adjustments or repairs with the engine running.
- Grass catcher components are subject to wear, damage, and deterioration, which could expose moving parts or allow objects to be thrown. Frequently check components and replace with manufacturer's recommended parts, when necessary.
- Mower blades are sharp and can cut. Wrap the blade(s) or wear gloves, and use extra caution when servicing them.
- Check brake operation frequently. Adjust and service as required.



Look for this symbol to point out important safety precautions. It means CAUTION!!! BECOME ALERT!!! YOUR SAFETY IS INVOLVED.



CAUTION: Always disconnect spark plug wire and place wire where it cannot contact spark plug in order to prevent accidental starting when setting up, transporting, adjusting or making repairs.

CONGRATULATIONS on your purchase of a Sears tractor. It has been designed, engineered and manufactured to give you the best possible dependability and performance.

Should you experience any problem you cannot easily remedy, please contact your nearest Sears Service Center/Department. We have competent, well-trained technicians and the proper tools to service or repair this tractor.

Please read and retain this manual. The instructions will enable you to assemble and maintain your tractor properly. Always observe the "SAFETY RULES".

PRODUCT SPECIFICATIONS

MODEL NUMBER	917.255970
SERIAL NUMBER	_____
DATE OF PURCHASE	_____

THE MODEL AND SERIAL NUMBERS WILL BE FOUND ON A PLATE UNDER THE SEAT.

YOU SHOULD RECORD BOTH SERIAL NUMBER AND DATE OF PURCHASE AND KEEP IN A SAFE PLACE FOR FUTURE REFERENCE.

HORSEPOWER:	18.0
GASOLINE CAPACITY:	3.5 GALLONS UNLEADED REGULAR
OIL (3.0 PINTS):	SAE 30 (above 32°F) SAE 5W-30 (below 32°F)
SPARK PLUG (GAP .025 IN.):	CHAMPION RJ-19LM STD361458
VALVE CLEARANCE:	INTAKE .004-.006 IN. EXHAUST .007-.009 IN.
GROUND SPEED:	(MPH): LO HI 1st .8 1.8 2nd 1.4 3.4 3rd 2.4 5.5 Rev. .9 2.1
TRANSAXLE OIL (4 QUARTS)	NON-DETERGENT SAE 30 (ISO 100)
TIRE PRESSURE:	FRONT: 14 PSI REAR: 10 PSI
CHARGING SYSTEM:	5 AMPS BATTERY 5 AMPS HEADLIGHTS
BLADE BOLT TORQUE:	30-35 FT. LBS.

MAINTENANCE AGREEMENT

A Sears maintenance agreement is available on this tractor. Contact your nearest Sears store for details.

CUSTOMER RESPONSIBILITIES

- Read and observe the safety rules.
- Follow a regular schedule in maintaining, caring for and using your tractor.
- Follow the instructions under "Customer Responsibilities" and "Storage" sections of this manual.

WARNING: This tractor is equipped with an internal combustion engine and should not be used on or near any unimproved forest-covered, brush-covered or grass-covered land unless the engine's exhaust system is equipped with a spark arrester meeting applicable local or state laws (if any). If a spark arrester is used, it should be maintained in effective working order by the operator.

In the state of California the above is required by law (Section 4442 of the California Public Resources Code). Other states may have similar laws. Federal laws apply on federal lands. A spark arrester for the muffler is available through your nearest Sears authorized service center (See the REPAIR PARTS section of this manual).

LIMITED TWO YEAR WARRANTY ON ELECTRIC START RIDING EQUIPMENT

For two (2) years from the date of purchase, if this riding equipment is maintained, lubricated and tuned up according to the instructions in the owner's manual, Sears will repair or replace, free of charge, any parts found to be defective in material or workmanship.

This Warranty does not cover:

- Expendable items which become worn during normal use, such as blades, spark plugs, air cleaners and belts.
- Tire replacement or repair caused by punctures from outside objects, such as nails, thorns, stumps, or glass.
- Repairs necessary because of operator abuse, negligence, improper storage or accident or the failure to maintain the equipment according to the instructions contained in the owner's manual.
- Riding equipment used for commercial or rental purposes.

LIMITED 90 DAY WARRANTY ON BATTERY

For 90 days from date of purchase, if any battery included with this riding equipment proves defective in material or workmanship and our testing determines the battery will not hold a charge, Sears will replace the battery at no charge.

WARRANTY SERVICE IS AVAILABLE BY RETURNING THE RIDING EQUIPMENT TO THE NEAREST SEARS SERVICE CENTER/DEPARTMENT IN THE UNITED STATES.

This Warranty gives you specific legal rights, and you may also have other rights which may vary from state to state.

SEARS, ROEBUCK AND CO., D/817 WA, HOFFMAN ESTATES, ILLINOIS 60179

TABLE OF CONTENTS

SAFETY RULES	2	MAINTENANCE SCHEDULE	15
PRODUCT SPECIFICATIONS	3	OPERATION	11-14
CUSTOMER RESPONSIBILITIES	3,15-18	SERVICE AND ADJUSTMENT	19-25
WARRANTY	3	STORAGE	26
TABLE OF CONTENTS	4	TROUBLE SHOOTING	28-29
INDEX	4	REPAIR PARTS-TRACTOR	31-53
ASSEMBLY	7-10	SLOPE SHEET	BACK PAGE







INDEX

A		Tire Care	8,16,22	O	
Adjustments:		Transaxle Oil Level	16	Oil:	
Attachment Lift Spring	23	Cutting Height, Mower	12	Cold Weather Conditions	13,17
Brake	21	D		Engine	17
Carburetor	25	Decals	31	Transaxle	16
Attachment Clutch	21	E		Operating Mower	13
Gauge Wheels	13	Engine:		Operation	11-14
Mower:		Adjustments:		P	
Front-To-Back	20	Carburetor	25	Parking Brake	11,12
Side-To-Side	19	Throttle Control Cable	24	Parts Bag	6
Throttle Control Cable	24	Air Filter	18	Product Specifications	3
Air Filter, Engine	18	Air Screen	18	S	
Air Screen, Engine	18	Cooling Fins	18	Safety Rules	2
Assembly	7-10	Oil Change	17	Schematic	30
B		Oil Level	13,17	Seat	8
Battery:		Oil Type	17	Service & Adjustments	19-25
Charging	8	Preparation	13	Attachment Lift Spring	23
Cleaning	17	Starting	14	Clutch Pulley	21
Installation	10	Storage	26	Fuse	23
Levels	8,17	F		Mower Adjustment	
Preparation	8	Filters:		Front-To-Back	20
Terminals	17	Air Cleaner	18	Side-To-Side	19
Starting with Weak Battery	23	Fuel	18	Motion Drive Belt:	
Storage	26	Oil	18	Removal/Replacement	22
Motion Drive Belt:		Fuel:		Mower Blade Drive Belt:	
Removal/Replacement	22	Storage	26	Removal/Replacement	21
Mower Blade Drive Belt:		Type	14	Mower Drive Belt:	
Removal/Replacement	21	Fuse	23	Removal/Replacement	20
Mower Drive Belt:		H		Mower Removal	19
Removal/Replacement	20	Headlights	23	Tire Care	8,16,22
Blade:		Hood Removal	24	Slope Guide Sheet	55
Replacement	16	L		Spark Plugs	18
Sharpening	16	Leveling Mower Deck	19-20	Specifications	3
Brake Adjustment	21	Lubrication Chart	15	Starting the Engine	14
C		M		Steering Wheel	7,22
Carburetor, Adjustment	25	Maintenance Schedule	15	Stopping the Tractor	12
Controls, Tractor	11	Mower:		Storage	26
Customer Responsibilities	15-18	Adjustment:		T	
Engine:		Front-To-Back	20	Throttle Control Cable:	
Air Filter	18	Side-To-Side	19	Adjustment	24
Foam Pre-Cleaner	18	Blade Replacement	16	Tires	8,16,22
Air Screen	18	Blade Sharpening	16	Troubleshooting	28-29
Cooling Fins	18	Cutting Height	12	W	
Oil	17	Installation	9	Wheels	31
Fuel Filter	18	Operation	13	Wiring Schematic	30
Spark Plugs	18	Removal	19		
Tractor:		Mowing Tips	14		
Battery	17	Muffler	18		
Blade	16	Spark Arrestor	3,18,34		
Lubrication Chart	15				
Maintenance Schedule	15				

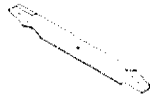

ACCESSORIES AND ATTACHMENTS

These accessories and attachments were available when the tractor was purchased. They are also available at most Sears retail outlets, catalog and service centers. Most Sears stores can order these items for you when you provide the model number of your tractor.

ENGINE

SPARK PLUG	MUFFLER	AIR FILTER	GAS CAN	ENGINE OIL	STABILIZER
					

MAINTENANCE

BLADES	BELTS
	

PERFORMANCE

Sears offers a wide variety of attachments that fit your tractor. Many of these are listed below with brief explanations of how they can help you. This list was current at the time of publication; however, it may change in future years - more attachments may be added, changes may be made in these attachments, or some may no longer be available or fit your model. **Contact your nearest Sears store for the accessories and attachments that are available for your tractor.**

Most of these attachments do not require additional hitches or conversion kits (those that do are indicated) and are designed for easy attaching and detaching.

LAWN SWEEPERS let you collect grass clippings and leaves.

LAWN VACS for powerful collection of heavy grass clippings and leaves. Wand attachment to pick up debris in hard-to-reach places.

CARTS make hauling easy. Variety of sizes available.

ROLLER for smoother lawn surface. 36-inch wide, 18-inch diameter water-tight drum holds up to 390 lbs. of weight. Rounded edges prevent harm to turf. Adjustable scraper automatically cleans drum.

SPREADER/SEEDERS make seeding, fertilizing, and weed killing easy. Broadcast spreaders are also useful for granular deicers and sand.

CORING AERATOR takes small plugs out of soil to allow moisture and nutrients to reach grass roots. 36-inch swath. 24 hardened steel coring tips. 150 lb. capacity weight tray.

AERATOR promotes deep root growth for a healthy lawn. Tapered 2.5-inch steel spikes mounted on 10-inch diameter discs puncture holes in soil at close intervals to let moisture soak in.

MULCH RAKE/DETHATCHER loosens soil and flips thatch and matted leaves to lawn surface for easy pickup. Twenty spring tine teeth. Useful to prepare bare areas for seeding. Available for front or rear mounting.

SPRAYERS use 12-volt DC electric motor that connects to the tractor battery or other 12-volt source. Includes booms for automatic spraying when pulling, and hand held wand for spot spraying. Wand has adjustable spray pattern. For applying herbicides, insecticides, fungicides, and liquid fertilizers.

SNOWTHROWER has 40-inch swath. Drum-type auger handles powdery and wet/heavy snow. Mounts easily with simple pin arrangement. Discharge chute adjusts from tractor seat. 6-inch diameter spout discharges snow 10 to 50 feet. Lift controlled at tractor seat. (Use with chains, wheel weights, or rear drawbar weight.)

TIRE CHAINS are heavy duty; closely spaced extra-large cross links give smooth ride, outstanding traction.

WHEEL WEIGHTS for rear wheels provide needed traction for snow removal or dozing heavy materials (55 lbs each.)

TRACTOR CAB has heavy duty vinyl fabric over tubular steel frame, ABS plastic top; clear plastic windshield offers 360 degree visibility. Hinged metal doors with catch. Keeps operator warm and dry. Remove vinyl and windshields for use as sun protector in summer. (Catalog only.)

Optional accessories for tractor cab: tinted/tempered solid safety glass windshield with hand operated wiper; 12-volt amber caution light for mounting on cab top. (Catalog only.)

TRACTOR COVER protects tractor from weather. Made of Evolution 3 fabric (water-repellent, extremely breathable, light weight, soft, non-abrasive, pliable in all temperatures, durable, stain/tear/puncture resistant, will not shrink or stretch). (Catalog only.)

TILLER has 8 hp engine to prepare seed beds, cultivate, and compost garden residue. Chain-drive transmission. Six 11-inch diameter one piece heat-treated steel tines. Tills 30-inch path. (Requires sleeve hitch.)

TILLER has 5 hp engine and 36-inch swath to prepare seed beds, cultivate, and compost garden residue. Tiller has its own built-in lift and depth control system and does NOT require a sleeve hitch. Fits any lawn, yard, or garden tractor. Simply hook up to the tractor drawbar and go!

DOZER BLADE removes snow; grades dirt, sand and gravel. 48 inches wide, 17 inches high, clears 44-inch path when angled. Master lift control lever for operator ease. Spring trip for snow removal on uneven pavement; built-in float for blade to follow ground contour. Reversible, replaceable scraper bar. (Use with tire chains, wheel weights or rear drawbar weight.)

REAR BLADE is 42 inches wide and operated from driver's seat. Reversible steel blade can be angled at 30 degrees for grading. Reverses for snow plowing. (Requires sleeve hitch.)

SLEEVE CULTIVATOR is 43 inches wide. Prepares ground for seeding, helps weed control. Steel frame holds 5 adjustable sweeps. Adjusts vertically, horizontally. (Requires sleeve hitch.) Optional accessory for cultivator: steel furrow opener for wider openings for potatoes, corn, and other deep-seeded crops.

PLOW turns soil 6 inches deep; cuts 10-inch furrow. Crank adjustment controls depth, 3-position yoke sets width. Heavy steel landslide for straight furrowing. (Requires sleeve hitch.)

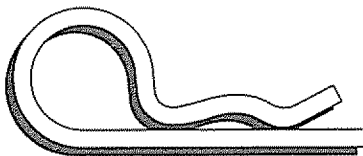
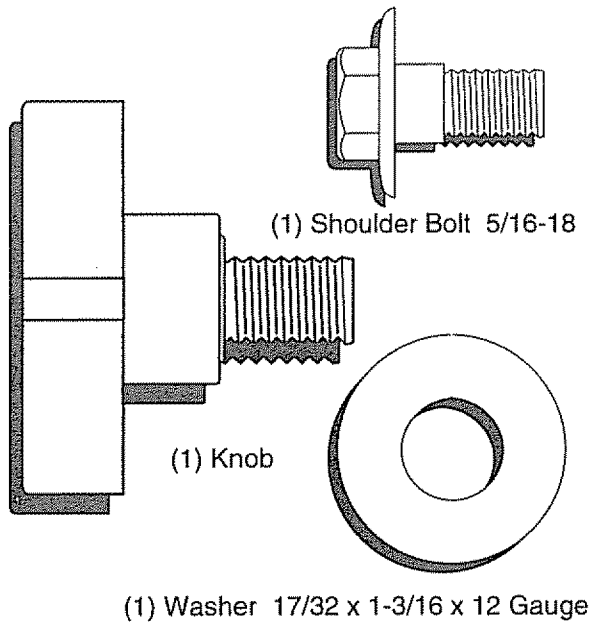
DISC HARROW has 2 gangs of 4 steel blades that angle from 10 to 20 degrees, 40 inches wide. Can hook 2 units in tandem. (Requires sleeve hitch.)

WEIGHT BRACKET for drawbar for snow removal applications. Can be mounted on front of tractor for plowing applications. Uses (1) 55 lb. weight.

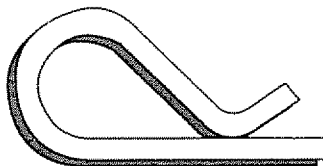
SLEEVE HITCH for use with master lift system. Single pin couples/unouples.

CONTENTS OF HARDWARE PACK

Parts Bag contents shown full size



(3) Retainer Springs



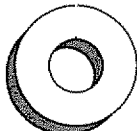
(4) Retainer Springs



(2) Hex Bolts 1/4-20 x 3/4



(2) Hex Nuts 1/4-20



(2) Washers 9/32 x 5/8 x 16 Ga.

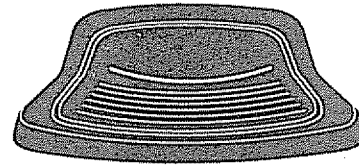


(2) Lock Washers 1/4

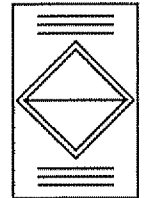


(2) Wing Nuts 1/4-20

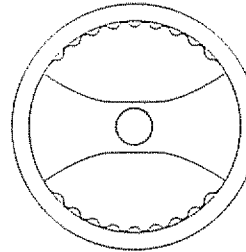
Parts packed separately in carton



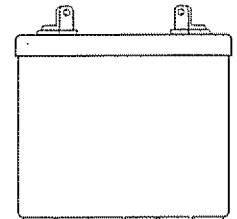
Seat



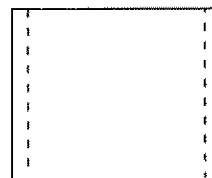
Battery acid



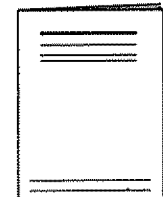
Steering Wheel



Battery



Parts Bag



Owner's Manual

Parts bag contents not shown full size



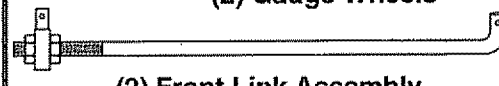
(2) Shoulder Bolts



(2) Gauge Wheels



(2) Crown Lock Nuts



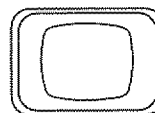
(2) Front Link Assembly



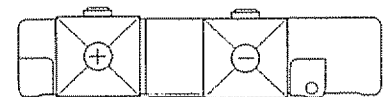
(2) Keys



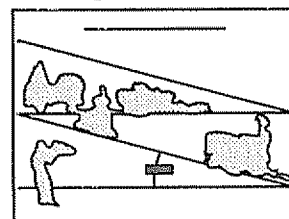
(2) Battery Carriage Bolts 1/4-20 x 7-1/2



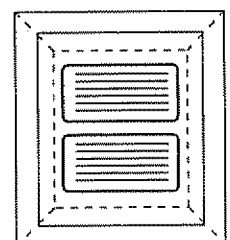
Steering Wheel Insert



Terminal Guard



15° Slope Sheet



Battery Caps and Instructions

ASSEMBLY

Your new tractor has been assembled at the factory with the exception of those parts left unassembled for shipping purposes. To ensure safe and proper operation of your tractor, all parts and hardware you assemble must be tightened securely. Use the correct tools as necessary to insure proper tightness.

TOOLS REQUIRED FOR ASSEMBLY

A socket wrench set will make assembly easier. Standard wrench sizes are listed.

- (2) 7/16" wrenches
- (1) Tire pressure gauge
- (1) 9/16" wrench
- (1) Utility knife
- (1) Adjustable wrench

When right and left hand are mentioned in this manual, it means when you are in the operating position (seated behind the steering wheel).

TO REMOVE TRACTOR FROM CARTON UNPACK CARTON

- Remove all accessible loose parts from carton (See page 6).
- Cut along lines on the carton, from top to bottom, all four corners of carton and lay panels flat.
- Remove mower deck from skid.
- Check for any additional loose parts or cartons and remove.

BEFORE ROLLING TRACTOR OFF SKID

ATTACH STEERING WHEEL (See Fig. 1)

- Remove hex bolt, lock washer and large flat washer from steering shaft.
- Position front wheels of the tractor so they are pointing straight forward.
- Position steering wheel so cross bars are horizontal (left to right) and slide onto adapter.
- Secure steering wheel to steering shaft with hex bolt, lock washer and large flat washer previously removed. Tighten securely.
- Snap insert into center of steering wheel.
- Remove protective plastic from tractor hood and grill.

IMPORTANT: CHECK FOR AND REMOVE ANY STAPLES IN SKID THAT MAY PUNCTURE TIRES WHERE TRACTOR IS TO ROLL OFF SKID.

TO ROLL TRACTOR OFF SKID (See Fig. 2)

- Raise attachment lift lever to its highest position.
- Place gearshift lever in "NEUTRAL" position.
- Release parking brake by depressing clutch/brake pedal.
- Roll tractor backwards off skid.

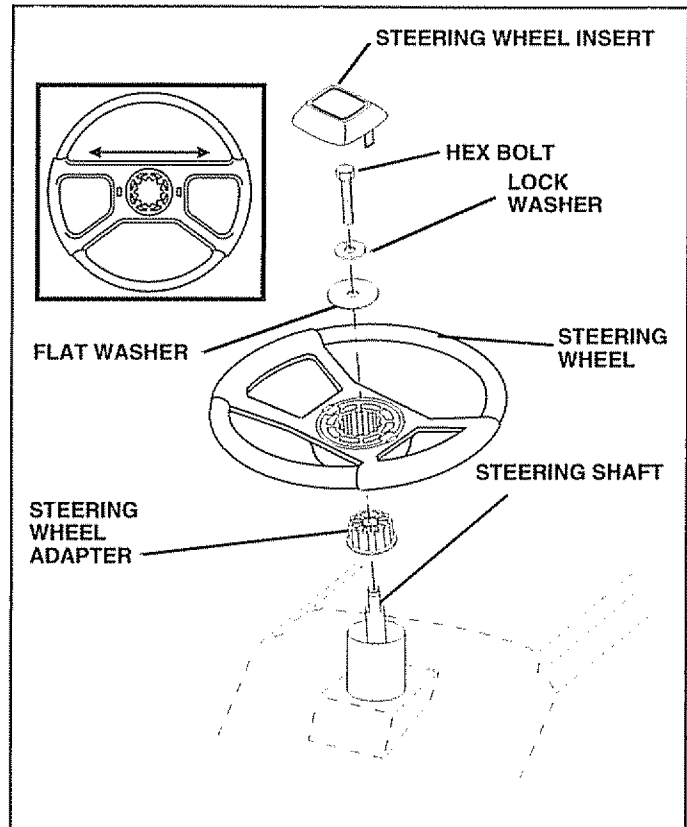


FIG. 1

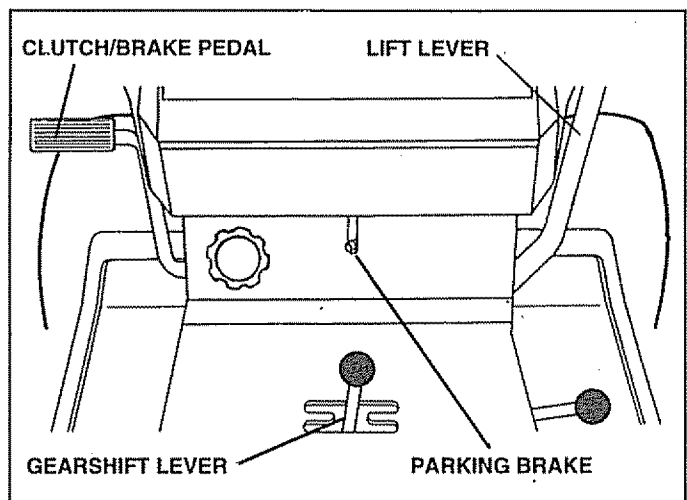


FIG. 2

ASSEMBLY

HOW TO SET UP YOUR TRACTOR PREPARE BATTERY (See Fig. 3)

CAUTION: Wear eye and face shield.

Wash hands or clothing immediately if accidentally in contact with battery acid.

Do not smoke. Fumes from charged battery acid are explosive.

Read the instructions included with the battery vent caps. Always wear gloves, clothing and goggles to protect your hands, skin and eyes.



Your unit has a battery charging system which is sufficient for normal use. However, periodic charging of the battery with an automotive charger will extend its life.

- See instructions packed with vent caps in parts bag.
- Fill battery with acid. Fill each cell until it reaches the bottom of the vent wells. Do not overfill.
- Allow battery to stand and settle for at least thirty minutes. After standing, check the level of acid. If below the vent wells, add more acid until the correct level is reached.

While battery is standing (after adding acid) and later, while battery is being charged, continue with assembly of tractor.

IMPORTANT: TO MAXIMIZE THE LIFE OF YOUR BATTERY, IT IS NECESSARY THAT THE BATTERY BE CHARGED BEFORE USE. FAILURE TO CHARGE BATTERY CAN RESULT IN A SHORTENED BATTERY LIFE.

- Charge battery at a rate of 6 amperes for 1 hour. Use a 12 volt battery charger. Observe all safety precautions required for battery charging.
- Check the acid level after the battery is charged. If the acid has fallen below the correct level, add distilled or iron free water.
- Install the vent caps to cover the vent wells. Wash the top of the battery with water to remove any acid, then wipe dry.
- Check battery case for leakage to make sure that no damage has occurred in handling.
- Dispose of excess battery acid. Neutralize acid for disposal by adding it to four inches of water in a five gallon plastic container. Stir with a wooden or plastic paddle while adding baking soda until the addition of more soda causes no more foaming.
- Follow instructions on how to install battery.

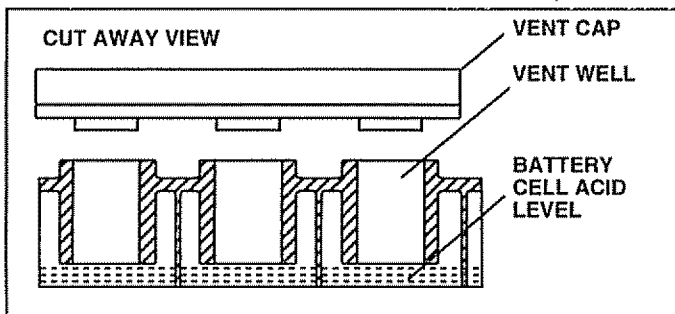


FIG. 3

INSTALL SEAT (See Fig. 4)

Adjust seat before tightening adjustment knob.

- Remove cardboard packing on seat pan.
- Place seat on pan and assemble shoulder bolt.
- Assemble adjustment knob and flat washer loosely. Do not tighten.
- Tighten shoulder bolt securely.
- Lower seat into operating position and sit on seat.
- Slide seat until a comfortable position is reached which allows you to press clutch/brake pedal all the way down.
- Get off seat without moving its adjusted position.
- Raise seat and tighten adjustment knob securely.

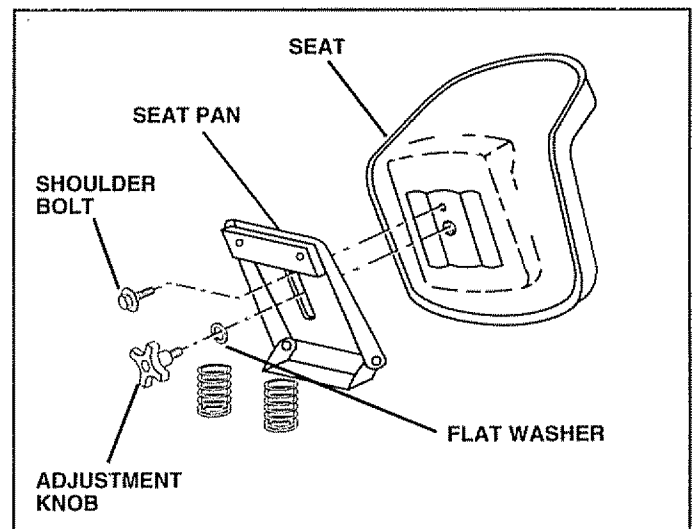


FIG. 4

CHECK TIRE PRESSURE

The tires on your tractor were overinflated at the factory for shipping purposes. Correct tire pressure is important for best cutting performance.

- Reduce tire pressure to PSI shown in "PRODUCT SPECIFICATIONS" on page 3 of this manual.

CHECK BRAKE SYSTEM

After you learn how to operate your tractor, check to see that the brake is properly adjusted. See "TO ADJUST BRAKE" in the Service and Adjustments section of this manual.

ASSEMBLY

INSTALL MOWER AND DRIVE BELT (See Fig. 5 and 8)

Be sure tractor is on level surface. Engage parking brake.

- Cut and remove tie down wire between anti-sway bar and R.H. gauge wheel bracket. Swing anti-sway bar to left side of mower deck.
- Slide mower under tractor with discharge guard to right side of tractor.
- Install one front link in L.H. front mower bracket and L.H. front suspension bracket. Retain with two single loop retainer springs as shown.
- Slide right side of mower deck forward, toward R.H. front tire.
- Check belt for proper routing in all mower pulley grooves. Install belt into engine pulley groove.
- Install second front link in R.H. front mower bracket and R.H. front suspension bracket. Retain with two single loop retainer springs as shown.
- Turn height adjustment knob counterclockwise until it stops. Lower mower linkage with attachment lift lever.
- Place the suspension arms on deck pins and retain with double loop retainer springs.

- Connect anti-sway bar to chassis bracket under left footrest and retain with double loop retainer spring.
- Turn height adjustment knob clockwise to remove slack from mower suspension.
- Raise deck to highest position.
- Insert gauge wheels as shown using long shoulder bolts and nuts. Tighten securely.

CHECK DECK LEVELNESS

For best cutting results, mower housing should be properly leveled. See "TO LEVEL MOWER HOUSING" in the Service and Adjustments section of this manual.

CHECK FOR PROPER POSITION OF ALL BELTS

See the figures that are shown for replacing motion, mower drive, and mower blade drive belts in the Service and Adjustments section of this manual. Verify that the belts are routed correctly.

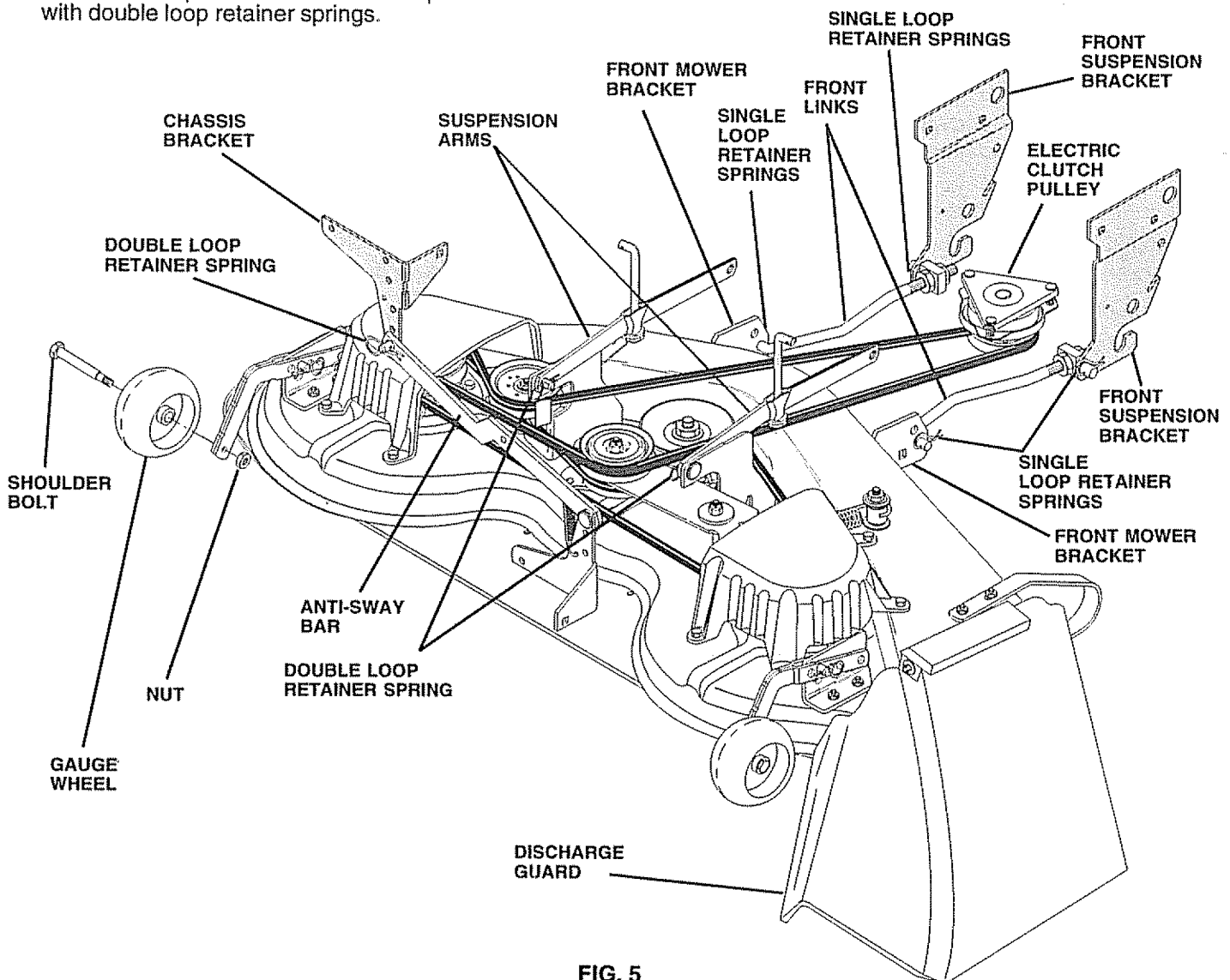


FIG. 5

ASSEMBLY

INSTALL BATTERY (See Figs. 6 and 7)



CAUTION: Do not short battery terminals. Before installing battery, remove metal bracelets, wristwatch bands, rings, etc.

Positive terminal must be connected first to prevent sparking from accidental grounding.

- Raise hood.
- Make sure drain tube is fastened to drain hole in battery tray and battery tray is positioned in hole of battery support.
- Place battery in plastic tray, battery terminals to front of tractor.
- First connect RED battery cable to positive (+) battery terminal with hex bolt, flat washer, lock washer and hex nut as shown. Tighten securely.
- Connect BLACK grounding cable to negative (-) battery terminal with remaining hex bolt, flat washer, lock washer and hex nut. Tighten securely.
- Slide the two battery bolts through the terminal guard and start the wing nuts onto the threads.
- Position terminal guard over the battery as shown, lower bolts into key holes and slide square shafts of bolts into slots of key holes.
- Tighten wing nuts by hand making sure battery bolts remain in slots of the key holes in the battery support.
- Be sure terminal access doors are closed.

Use terminal access doors for:

- Inspection for secure connections (to tighten hardware).
- Inspection for corrosion.
- Testing battery.
- Jumping (if required).
- Periodic charging.

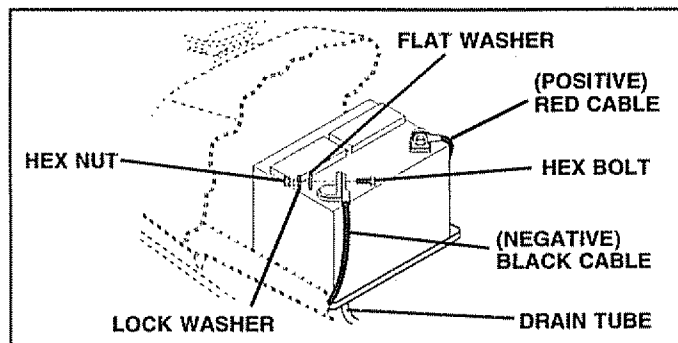


FIG. 6

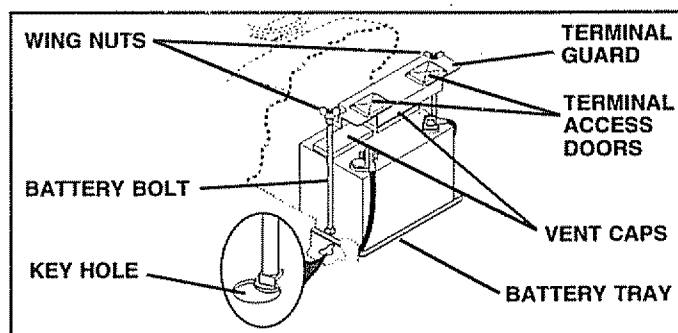


FIG. 7

✓ CHECKLIST

BEFORE YOU OPERATE AND ENJOY YOUR NEW TRACTOR, WE WISH TO ASSURE THAT YOU RECEIVE THE BEST PERFORMANCE AND SATISFACTION FROM THIS QUALITY PRODUCT.

PLEASE REVIEW THE FOLLOWING CHECKLIST:

- ✓ All assembly instructions have been completed.
- ✓ No remaining loose parts in carton.
- ✓ Battery is properly prepared and charged. (Minimum 1 hour at 6 amps).
- ✓ Seat is adjusted comfortably and tightened securely.
- ✓ All tires are properly inflated. (For shipping purposes, the tires were overinflated at the factory).
- ✓ Be sure mower deck is properly leveled side-to-side/front-to-rear for best cutting results. (Tires must be properly inflated for leveling).
- ✓ Check mower and drive belts. Be sure they are routed properly around pulleys and inside all belt keepers.
- ✓ Check wiring. See that all connections are still secure and wires are properly clamped.

WHILE LEARNING HOW TO USE YOUR TRACTOR, PAY EXTRA ATTENTION TO THE FOLLOWING IMPORTANT ITEMS:

- ✓ Engine oil is at proper level.
- ✓ Fuel tank is filled with fresh, clean, regular unleaded gasoline.
- ✓ Become familiar with all controls - their location and function. Operate them before you start the engine.
- ✓ Be sure brake system is in safe operating condition.

OPERATION

KNOW YOUR TRACTOR

READ THIS OWNER'S MANUAL AND SAFETY RULES BEFORE OPERATING YOUR TRACTOR.

Compare the illustrations with your tractor to familiarize yourself with the location of various controls and adjustments. Save this manual for future reference.

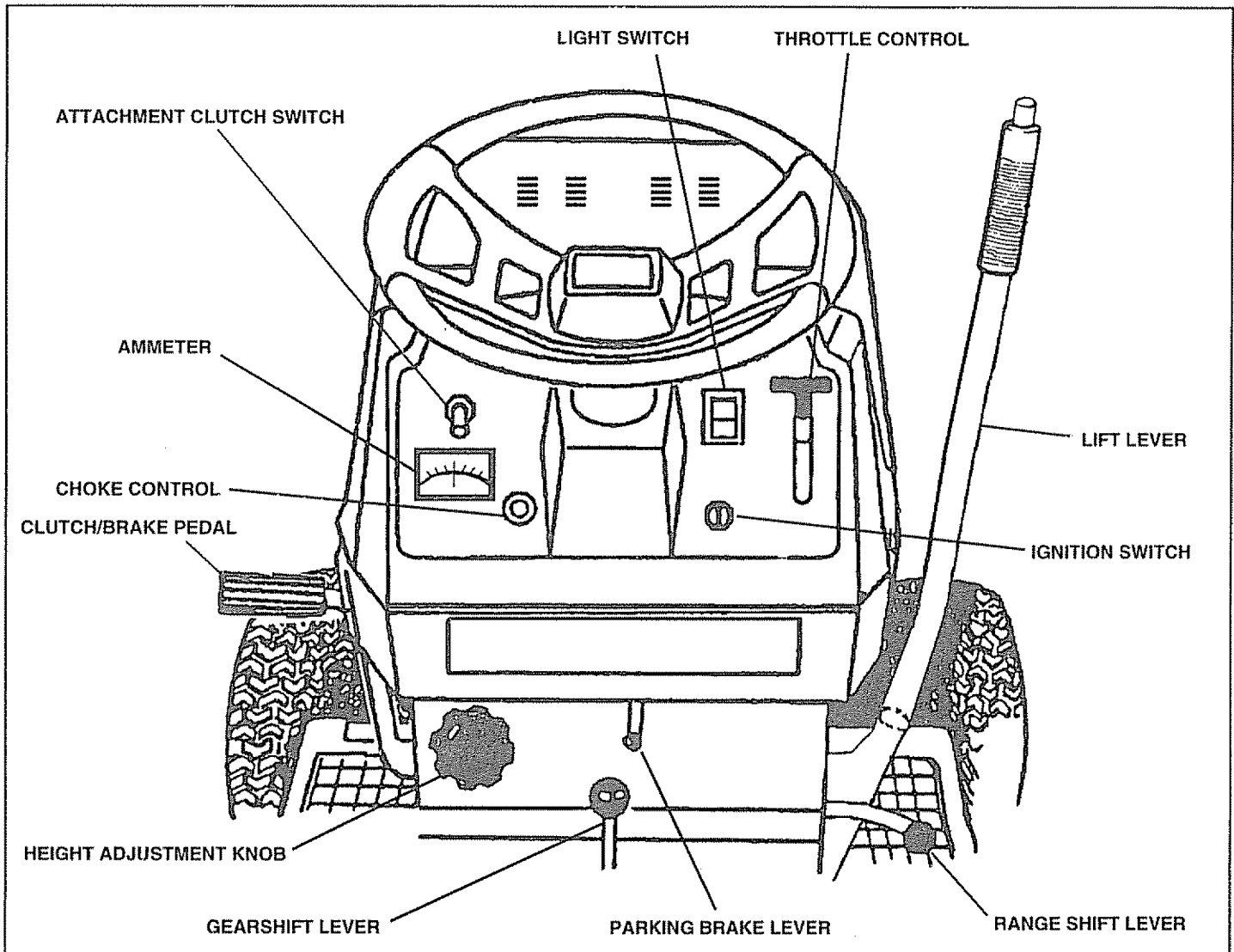


FIG. 8

Sears tractors conform to the safety standards of the American National Standards Institute.

ATTACHMENT CLUTCH SWITCH - Used to engage mower blades or other attachments mounted to your tractor.

LIFT LEVER - Used to raise and lower mower deck or other attachments mounted to your tractor.

CLUTCH/BRAKE PEDAL - Used for declutching and braking the tractor and starting the engine.

GEARSHIFT LEVER - Selects the speed and direction of tractor.

THROTTLE CONTROL - Used to control engine speed.

RANGE SHIFT LEVER - Allows "HI" or "LO" speed for all forward and reverse gears.

IGNITION SWITCH - Used to start and stop the engine.

AMMETER - Indicates battery charging (+) or discharging (-).

LIGHT SWITCH - Turns the headlights on and off.

PARKING BRAKE LEVER - Locks clutch/brake pedal into the brake position.

CHOKE CONTROL - Used when starting a cold engine.

HEIGHT ADJUSTMENT KNOB - Used to adjust the mower height.

OPERATION



The operation of any tractor can result in foreign objects thrown into the eyes, which can result in severe eye damage. Always wear safety glasses or eye shields while operating your tractor or performing any adjustments or repairs. We recommend wide vision safety mask for over the spectacles or standard safety glasses, available at Sears retail or catalog stores.

HOW TO USE YOUR TRACTOR TO SET PARKING BRAKE (See Fig. 9)

- Depress clutch/brake pedal into full "BRAKE" position and hold.
- Place parking brake lever in "ENGAGED" position and release pressure from clutch/brake pedal. Pedal should remain in "BRAKE" position. Make sure parking brake will hold tractor secure.

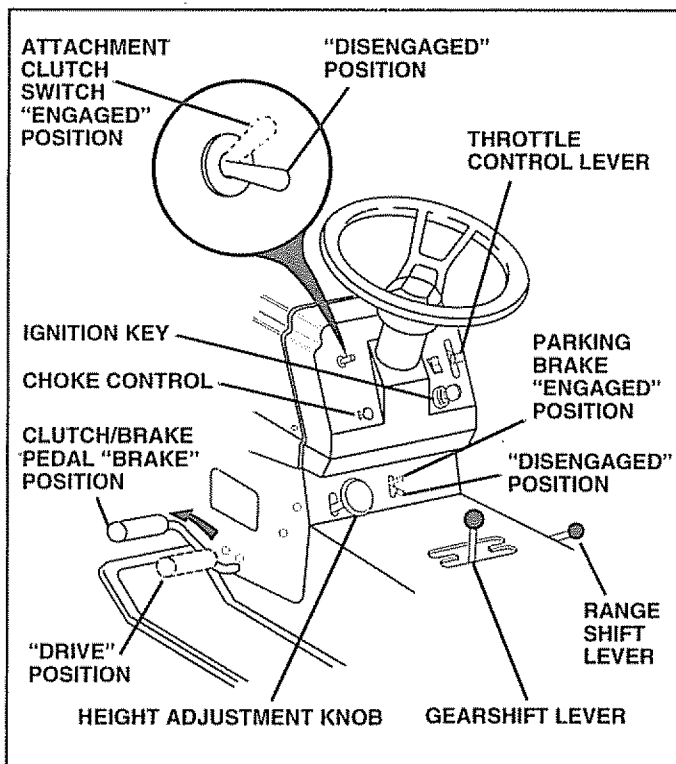


FIG. 9

STOPPING (See Fig. 9)

MOWER BLADES -

- Move attachment clutch switch to "DISENGAGED" position.

GROUND DRIVE -

- Depress clutch/brake pedal into full "BRAKE" position.
- Move gearshift lever to "NEUTRAL" position.

ENGINE -

- Move throttle control to "SLOW" position.

NOTE: Failure to move throttle control to "SLOW" position or allowing engine to idle before stopping may cause engine to "backfire".

- Turn ignition key to "OFF" position and remove key. Always remove key when leaving tractor to prevent unauthorized use.
- Never use choke to stop engine.

NOTE: Under certain conditions when tractor is standing idle with the engine running, hot engine exhaust gasses may cause "browning" of grass. To eliminate this possibility, always stop engine when stopping tractor on grass areas.



CAUTION: Always stop tractor completely, as described above, before leaving the operator's position; to empty grass catcher, etc.

TO USE CHOKE CONTROL (See Fig. 9)

Use choke control whenever you are starting a cold engine. Do not use to start a warm engine.

- To engage choke control, pull knob out. Slowly push knob in to disengage.

TO USE THROTTLE CONTROL (See Fig. 9)

Always operate engine at full throttle.

- Operating engine at less than full throttle reduces the battery charging rate.
- Full throttle offers the best mower performance.

TO MOVE FORWARD AND BACKWARD (See Fig. 9)

The direction and speed of movement is controlled by the gearshift lever.

- Start tractor with clutch/brake pedal depressed and gearshift lever in "NEUTRAL" position.
- Move gearshift and range shift levers to desired position.
- Slowly release clutch/brake pedal to start movement.

IMPORTANT: BRING TRACTOR TO A COMPLETE STOP BEFORE SHIFTING OR CHANGING GEARS. FAILURE TO DO SO WILL SHORTEN THE USEFUL LIFE OF YOUR TRANSAXLE.

TO ADJUST MOWER CUTTING HEIGHT (See Fig. 9)

The cutting height is controlled by turning the height adjustment knob in desired direction.

- Turn knob clockwise (↻) to raise cutting height.
- Turn knob counterclockwise (↺) to lower cutting height.

The cutting height range is approximately 1-1/2" to 4-1/2". The heights are measured from the ground to the blade tip with the engine not running. These heights are approximate and may vary depending upon soil conditions, height of grass and type of grass being mowed.

- The average lawn should be cut to approximately 2-1/2 inches during the cool season and to over 3 inches during hot months. For healthier and better looking lawns, mow often and after moderate growth.
- For best cutting performance, grass over 6 inches in height should be mowed twice. Make the first cut relatively high, the second to desired height.

OPERATION

TO ADJUST GAUGE WHEELS (See Fig. 10)

- Adjust mower to desired cutting height.
- Lower mower with lift control. Remove rear retainer spring and clevis pin which secure each gauge wheel.
- Lower gauge wheels to ground. Raise gauge wheels slightly to align holes in bracket and gauge wheel bar and insert clevis pins. Gauge wheels should be slightly off the ground.
- Replace retainer springs into clevis pins.

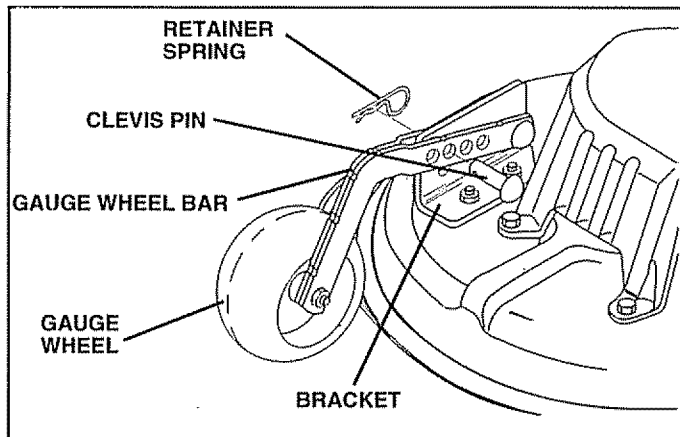


FIG. 10

TO OPERATE MOWER (See Figs. 8 and 9)

Your tractor is equipped with an operator presence sensing switch. Any attempt by the operator to leave the seat with the engine running and the mower clutch engaged will shut off the engine.

- Select desired height of cut.
- Lower mower with attachment lift control.
- Start mower blades by engaging attachment clutch control.
- TO STOP MOWER BLADES - Disengage attachment clutch control.



CAUTION: Do not operate the mower without either the entire grass catcher, on mowers so equipped, or the discharge guard in place.

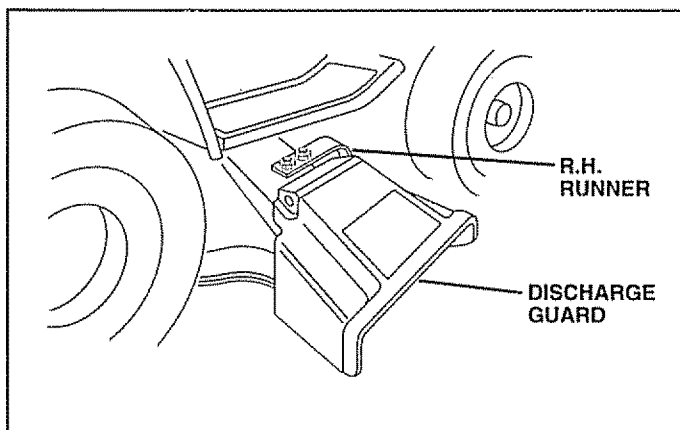


FIG. 11

TO OPERATE ON HILLS



CAUTION: Do not drive up or down hills with slopes greater than 15° and do not drive across any slope.

- Choose the slowest speed before starting up or down hills.
- Avoid stopping or changing speed on hills.
- If slowing is necessary, move throttle control lever to slower position.
- If stopping is absolutely necessary, push clutch/brake pedal quickly to brake position and engage parking brake.
- Move gearshift lever to "NEUTRAL" position.
- To restart movement, move gearshift lever to 1st gear and range shift lever to "LO" position. Be sure you have allowed room for tractor to roll slightly as you restart movement.
- Slowly release parking brake and clutch/brake pedal.
- Make all turns slowly.

TO TRANSPORT

- Raise attachment to highest position with lift control.
- When pushing or towing your tractor, be sure gearshift lever is in "NEUTRAL" position.
- Do not push or tow tractor at more than five (5) MPH.

NOTE: To protect hood from damage when transporting your tractor on a truck or a trailer, be sure hood is closed and secured to tractor. Use an appropriate means of tying hood to tractor (rope, cord, etc.).

BEFORE STARTING THE ENGINE CHECK ENGINE OIL LEVEL (See Fig. 12)

- The engine in your tractor has been shipped from the factory already filled with summer weight oil.
- Check engine oil with tractor on level ground.
- Remove oil fill cap/dipstick and wipe clean, reinsert the dipstick and screw cap tight, wait for a few seconds, remove and read oil level. If necessary, add oil until "FULL" mark on dipstick is reached. Do not overfill.
- For cold weather operation you should change oil for easier starting (see "OIL VISCOSITY CHART" in the Customer Responsibilities section of this manual).
- To change engine oil, see the Customer Responsibilities section in this manual.

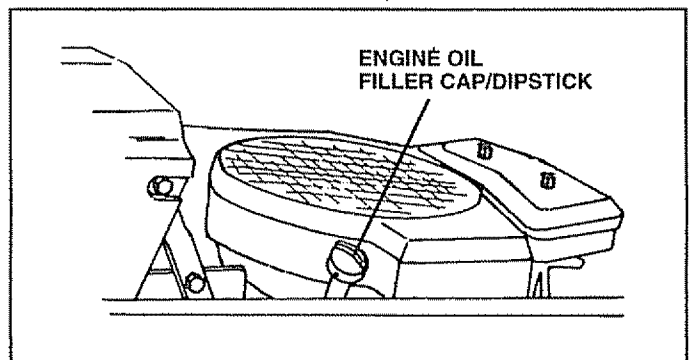


FIG. 12

OPERATION

ADD GASOLINE

- Fill fuel tank. Use fresh, clean, regular unleaded gasoline. (Use of leaded gasoline will increase carbon and lead oxide deposits and reduce valve life).

IMPORTANT: WHEN OPERATING IN TEMPERATURES BELOW 32°F(0°C), USE FRESH, CLEAN WINTER GRADE GASOLINE TO HELP INSURE GOOD COLD WEATHER STARTING.

WARNING: Experience indicates that alcohol blended fuels (called gasohol or using ethanol or methanol) can attract moisture which leads to separation and formation of acids during storage. Acidic gas can damage the fuel system of an engine while in storage. To avoid engine problems, the fuel system should be emptied before storage of 30 days or longer. Drain the gas tank, start the engine and let it run until the fuel lines and carburetor are empty. Use fresh fuel next season. See Storage Instructions for additional information. Never use engine or carburetor cleaner products in the fuel tank or permanent damage may occur.



CAUTION: Fill to bottom of gas tank filler neck. Do not overfill. Wipe off any spilled oil or fuel. Do not store, spill or use gasoline near an open flame.

TO START ENGINE (See Fig. 9)

When starting engine for the first time or if engine has run out of fuel, it will take extra cranking time to move fuel from the tank to the engine.

- Depress the clutch/brake pedal and set the parking brake.
- Place gearshift lever in "NEUTRAL" position.
- Move attachment clutch to "DISENGAGED" position.
- Pull choke control out to "CHOKE" position for cold engine start. For warm engine start do not use choke control.
- Move throttle control to midway between "FAST" and "SLOW" positions.
- Turn ignition key clockwise to "START" position and release key as soon as engine starts. Do not run starter continuously for more than fifteen seconds per minute. If engine does not start after several attempts, move throttle control to "FAST" position, wait a few minutes and try again.
- When engine starts, slowly push choke control in.
- Move throttle control to "FAST" position.
- Allow engine to warm up for a few minutes before engaging clutch/brake pedal or attachment clutch switch.

NOTE: If at a high altitude (above 3000 feet) or in cold temperatures (below 32° F), the carburetor fuel mixture may need to be adjusted for best engine performance. See "TO ADJUST CARBURETOR" in the Service and Adjustments section of this manual.

MOWING TIPS

- Tire chains cannot be used when the mower housing is attached to tractor.
- Mower should be properly leveled for best mowing performance. See "TO LEVEL MOWER HOUSING" in the Service and Adjustments section of this manual.
- Use the runner on the right hand side of mower as a guide. The blade cuts approximately an inch outside the runner (See Fig. 11).
- The left hand side of mower should be used for trimming.
- Drive so that clippings are discharged onto the area that has been cut. Have the cut area to the right of the tractor. This will result in a more even distribution of clippings and more uniform cutting.
- When mowing large areas, start by turning to the right so that clippings will discharge away from shrubs, fences, driveways, etc. After one or two rounds, mow in the opposite direction making left hand turns until finished (See Fig. 13).
- If grass is extremely tall, it should be mowed twice to reduce load and possible fire hazard from dried clippings. Make first cut relatively high; the second to the desired height.
- Do not mow grass when it is wet. Wet grass will plug mower and leave undesirable clumps. Allow grass to dry before mowing.
- Always operate engine at full throttle when mowing to assure better mowing performance and proper discharge of material. Regulate ground speed by selecting a low enough gear to give the mower cutting performance as well as the quality of cut desired.
- When operating attachments, select a ground speed that will suit the terrain and give best performance of the attachment being used.

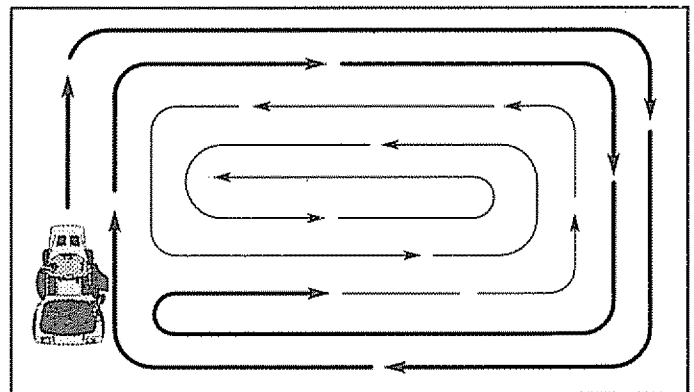


FIG. 13

CUSTOMER RESPONSIBILITIES

MAINTENANCE SCHEDULE FILL IN DATES AS YOU COMPLETE REGULAR SERVICE		SERVICE DATES																
		BEFORE EACH USE	FIRST 2 HOURS	EVERY 8 HOURS	EVERY 25 HOURS	EVERY 50 HOURS	EVERY 100 HOURS	EVERY SEASON	BEFORE STORAGE									
TRACTOR	Check Brake Operation	✓		✓														
	Check Tire Pressure	✓		✓														
	Check for Loose Fasteners	✓								✓								
	Sharpen/Replace Mower Blades					✓ ₄												
	Lubrication Chart					✓				✓								
	Check Battery Level/Recharge					✓												
	Clean Battery and Terminals					✓				✓								
	Check Transmission Cooling					✓												
	Adjust Blade Belt(s) Tension									✓ ₅								
	Adjust Motion Drive Belt(s) Tension									✓ ₅								
ENGINE	Check Engine Oil Level	✓		✓														
	Change Engine Oil		✓		✓ _{1,2,3}				✓									
	Clean Air Filter				✓ ₂													
	Clean Air Screen				✓ ₂													
	Inspect Muffler/Spark Arrester						✓											
	Replace Oil Filter (If equipped)								✓ _{1,2}									
	Clean Engine Cooling Fins								✓ ₂									
	Replace Spark Plug								✓	✓								
	Replace Air Filter Paper Cartridge								✓ ₂									
	Replace Fuel Filter									✓								

1 - Change more often when operating under a heavy load or in high ambient temperatures
2 - Service more often when operating in dirty or dusty conditions

3 - If equipped with oil filter, change oil every 50 hours
4 - Replace blades more often when mowing in sandy soil
5 - If equipped with adjustable system

GENERAL RECOMMENDATIONS

The warranty on this tractor does not cover items that have been subjected to operator abuse or negligence. To receive full value from the warranty, operator must maintain tractor as instructed in this manual.

Some adjustments will need to be made periodically to properly maintain your tractor.

All adjustments in the Service and Adjustments section of this manual should be checked at least once each season.

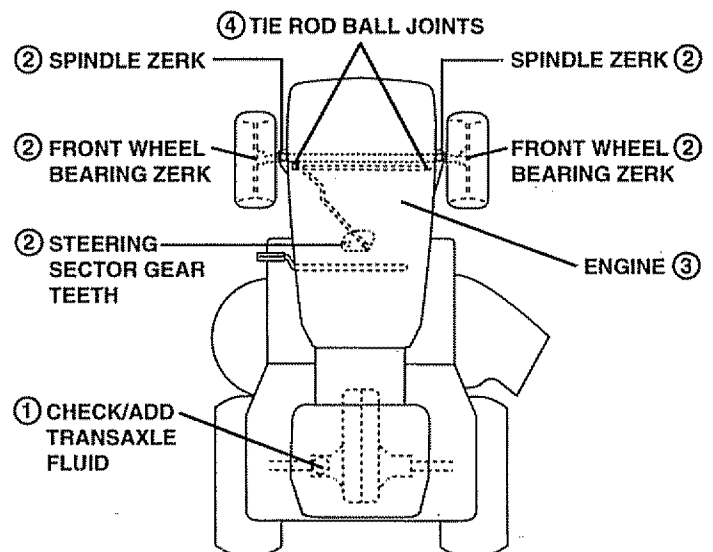
- Once a year you should replace the spark plug, clean or replace air filter, and check blades and belts for wear. A new spark plug and clean air filter assure proper air-fuel mixture and help your engine run better and last longer.

BEFORE EACH USE

- Check engine oil level.
- Check brake operation.
- Check tire pressure.
- Check for loose fasteners.

IMPORTANT: DO NOT OIL OR GREASE THE PIVOT POINTS WHICH HAVE SPECIAL NYLON BEARINGS. VISCOUS LUBRICANTS WILL ATTRACT DUST AND DIRT THAT WILL SHORTEN THE LIFE OF THE SELF-LUBRICATING BEARINGS. IF YOU FEEL THEY MUST BE LUBRICATED, USE ONLY A DRY, POWDERED GRAPHITE TYPE LUBRICANT SPARINGLY.

LUBRICATION CHART



- SAE 30 MOTOR OIL - NON-DETERGENT (ISO 100)
- GENERAL PURPOSE GREASE
- REFER TO CUSTOMER RESPONSIBILITIES "ENGINE" SECTION
- SPRAY SILICONE LUBRICANT (MOVE BOOTS TO LUBRICATE)

CUSTOMER RESPONSIBILITIES

TRACTOR

Always observe safety rules when performing any maintenance.

BRAKE OPERATION

If tractor requires more than six (6) feet stopping distance at high speed in highest gear, then brake must be adjusted. (See "TO ADJUST BRAKE" in the Service and Adjustments section of this manual).

TIRES

- Maintain proper air pressure in all tires (See "PRODUCT SPECIFICATIONS" on page 3 of this manual).
- Keep tires free of gasoline, oil, or insect control chemicals which can harm rubber.
- Avoid stumps, stones, deep ruts, sharp objects and other hazards that may cause tire damage.

BLADE CARE

For best results mower blades must be kept sharp. Replace bent or damaged blades.

BLADE REMOVAL (See Fig. 14)

- Raise mower to highest position to allow access to blades.
- Remove hex bolt, lock washer and flat washer securing blade.
- Install new or resharpened blade with trailing edge up towards deck as shown.
- Reassemble hex bolt, lock washer and flat washer in exact order as shown.
- Tighten bolt securely (30-35 Ft. Lbs. torque).

IMPORTANT: BLADE BOLT IS GRADE 8 HEAT TREATED.
NOTE: We do not recommend sharpening blade - but if you do, be sure the blade is balanced.

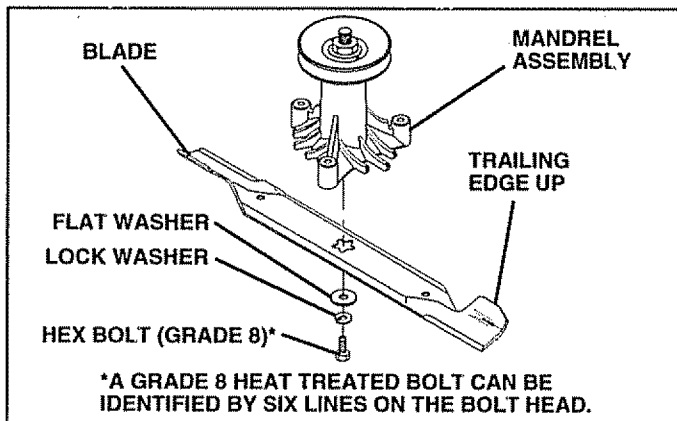


FIG. 14

TO SHARPEN BLADE (See Fig. 15)

Care should be taken to keep the blade balanced. An unbalanced blade will cause excessive vibration and eventual damage to mower and engine.

- The blade can be sharpened with a file or on a grinding wheel. Do not attempt to sharpen while on the mower.
- To check blade balance, you will need a 5/8" diameter steel bolt, pin, or a cone balancer. (When using a cone balancer, follow the instructions supplied with balancer).
- Slide blade on to an unthreaded portion of the steel bolt or pin and hold the bolt or pin parallel with the ground. If blade is balanced, it should remain in a horizontal position. If either end of the blade moves downward, sharpen the heavy end until the blade is balanced.

NOTE: Do not use a nail for balancing blade. The lobes of the center hole may appear to be centered, but are not.

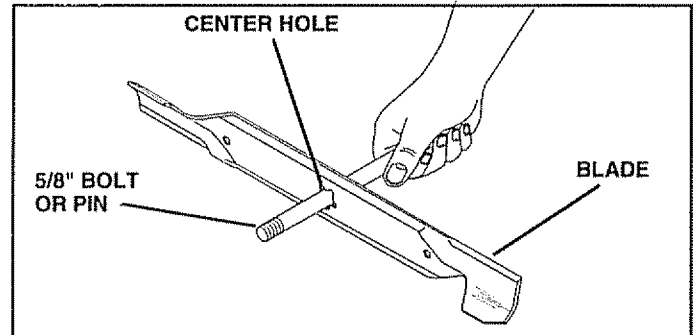


FIG. 15

TRANSAXLE COOLING

Keep transaxle free from build-up of dirt and chaff which can restrict cooling.

CHECK TRANSAXLE OIL LEVEL (See Fig. 16)

- Block up rear axle securely or use a tractor jack.
- Remove left rear wheel by removing hub bolts.
- Remove filler plug from transaxle. Oil level must be even with plug threads. If necessary, fill with SAE 30 non-detergent oil (ISO 100). Replace filler plug.
- Reassemble wheel to hub.
- For approximate capacity see "PRODUCT SPECIFICATIONS" on page 3 of this manual.

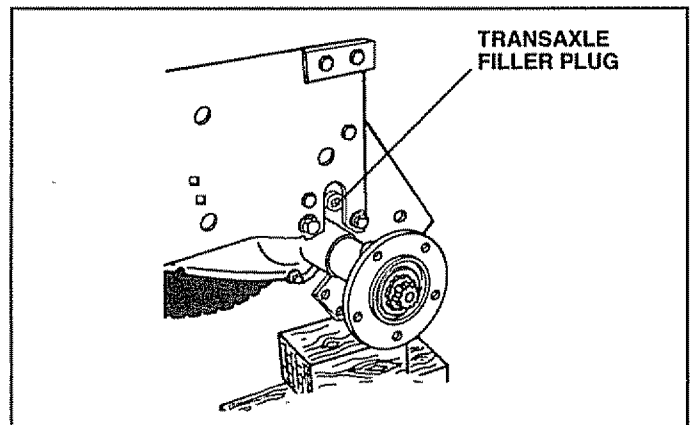


FIG. 16

CUSTOMER RESPONSIBILITIES

BATTERY (See Fig. 17)

Your unit has a battery charging system which is sufficient for normal use. However, periodic charging of the battery with an automotive charger will extend its life.

- Acid solution level in each battery cell should be even with bottoms of vent wells. Add only distilled or iron free water if necessary. Do not overfill.
- Keep battery and terminals clean.
- Keep battery bolts tight.
- Keep vent caps tight and small vent holes in caps open.
- Recharge at 6 amperes for 1 hour.

TO CLEAN BATTERY AND TERMINALS -

Corrosion and dirt on the battery and terminals can cause the battery to "leak" power.

- Remove terminal guard.
- Disconnect BLACK battery cable first then RED battery cable and remove battery from tractor.
- Wash battery with solution of four tablespoons of baking soda to one gallon of water. Be careful not to get the soda solution into the cells.
- Rinse the battery with plain water and dry.
- Clean terminals and battery cable ends with wire brush until bright.
- Coat terminals with grease or petroleum jelly.
- Reinstall battery (See "INSTALL BATTERY" in Assembly section of this manual).

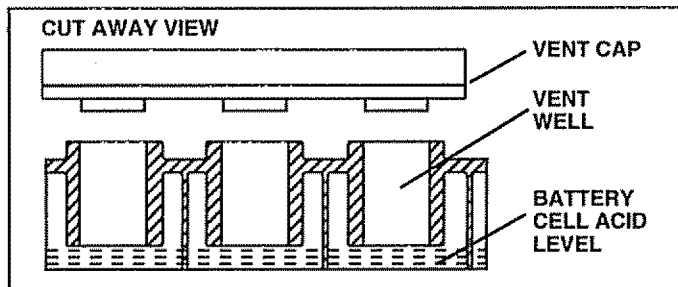


FIG. 17

V- BELTS

Check V-Belts for deterioration and wear after 100 hours and replace if necessary. The belts are not adjustable. Replace belts if they begin to slip from wear.

ENGINE

LUBRICATION

Only use high quality detergent oil rated with API service classification SG. Select the oil's SAE viscosity grade according to your expected operating temperature.

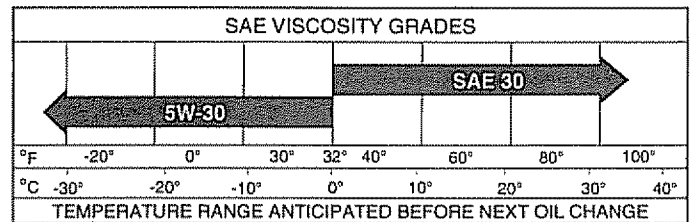


FIG. 18

NOTE: Although multi-viscosity oils (5W30, 10W30, etc.) improves starting in cold weather, these multi-viscosity oils will result in increased oil consumption when used above 32°C. Check your engine oil level more frequently to avoid possible engine damage from running low on oil.

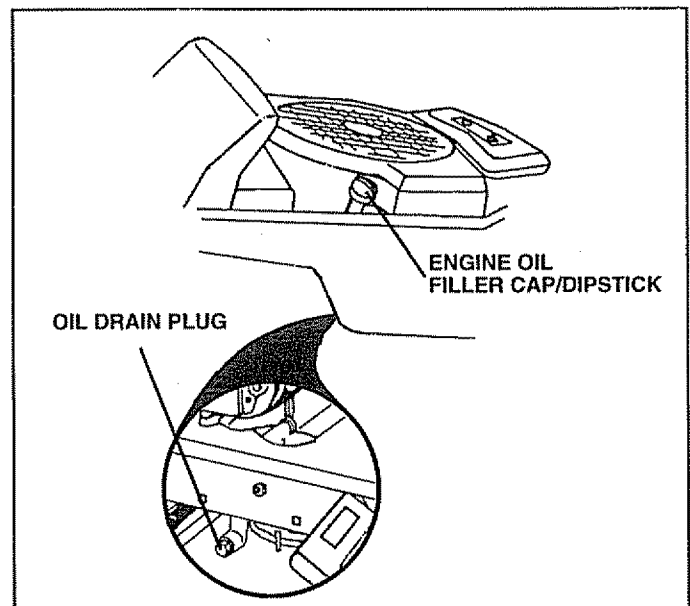
Change the oil after the first two hours of operation and every 25 hours thereafter or at least once a year if the tractor is not used for 25 hours in one year.

Check the crankcase oil level before starting the engine and after each eight (8) hours of continuous use.

TO CHANGE ENGINE OIL (See Figs. 18 and 19)

Determine temperature range expected before next oil change. All oil must meet API service classification SG.

- Be sure tractor is on level surface.
- Oil will drain more freely when warm.
- Catch oil in a suitable container.
- Remove oil filler cap. Be careful not to allow dirt to enter the engine when changing oil.
- Remove drain plug.
- After oil has drained completely, replace oil drain plug and tighten securely.
- Refill engine with oil through oil filler tube. Pour slowly. Do not overfill. For approximate capacity see "PRODUCT SPECIFICATIONS" on page 3 of this manual.
- Use gauge on dipstick for checking level. Be sure dipstick is in all the way for accurate reading. Keep oil at "FULL" line on dipstick.



CUSTOMER RESPONSIBILITIES

CLEAN AIR SCREEN (See Fig. 20)

The air screen must be kept free of dirt and chaff to prevent engine damage from overheating. Clean with a wire brush or compressed air to remove dirt and stubborn dried gum fibers.

CLEAN ENGINE COOLING FINS (See Fig. 20)

Remove any dust, dirt or oil from engine cooling fins to prevent engine damage from overheating. Air guide covers must be removed. Remove side panels and hood (See "TO REMOVE HOOD AND GRILL ASSEMBLY" in the Service and Adjustments section of this manual).

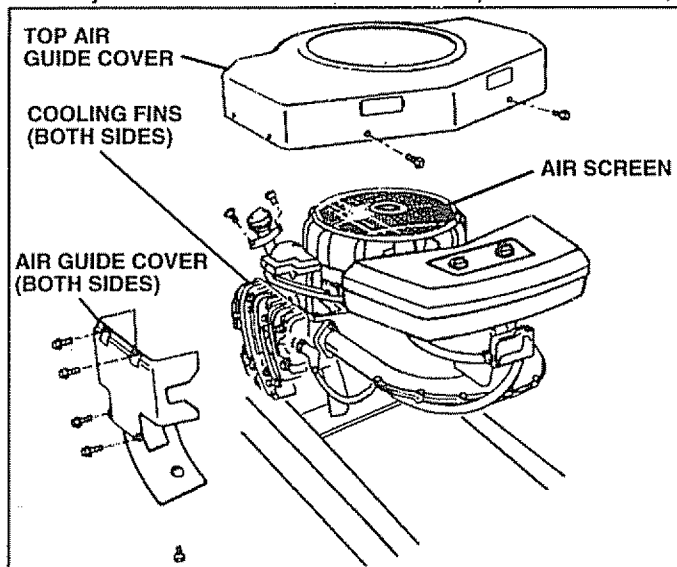


FIG. 20

AIR FILTER (See Fig. 21)

Your engine will not run properly using a dirty air filter. Clean the foam pre-cleaner element after every 25 hours of operation or every season. Service paper cartridge every 100 hours or every season, whichever occurs first.

Service air cleaner more often under dusty conditions.

- Remove knob(s) and cover.

TO SERVICE PRE-CLEANER

- Slide foam pre-cleaner off cartridge.
- Wash it in liquid detergent and water.
- Squeeze it dry in a clean cloth.
- Saturate it in engine oil. Wrap it in clean, absorbent cloth and squeeze to remove excess oil.
- Reinstall pre-cleaner over cartridge.
- Reinstall cover and secure with knob(s).

TO SERVICE CARTRIDGE

- Remove wing nuts and cartridge plate.
- Remove cartridge and clean by tapping gently on flat surface.
- If very dirty, replace or wash in a nonsudsing detergent and warm water solution. Rinse thoroughly with water from inside out until water runs clear. Let cartridge dry thoroughly before using.
- Reinstall cartridge plate, wing nuts, pre-cleaner, cover and secure with knob(s).

IMPORTANT: PETROLEUM SOLVENTS, SUCH AS KEROSENE, ARE NOT TO BE USED TO CLEAN THE CARTRIDGE. THEY MAY CAUSE DETERIORATION OF THE CARTRIDGE. DO NOT OIL CARTRIDGE. DO NOT USE PRESSURIZED AIR TO CLEAN OR DRY CARTRIDGE.

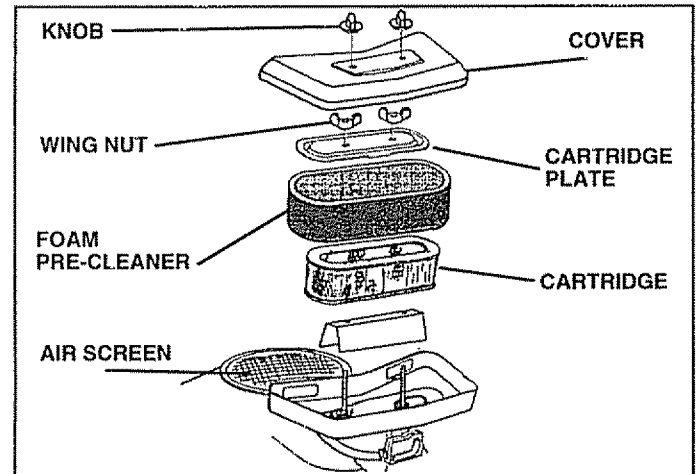


FIG. 21

MUFFLER

Inspect and replace corroded muffler and spark arrester (if equipped) as it could create a fire hazard and/or damage.

SPARK PLUGS

Replace spark plugs at the beginning of each mowing season or after every 100 hours of operation, whichever comes first. Spark plug type and gap setting are shown in "PRODUCT SPECIFICATIONS" on page 3 of this manual.

IN-LINE FUEL FILTER (See Fig. 22)

The fuel filter should be replaced once each season. If fuel filter becomes clogged, obstructing fuel flow to carburetor, replacement is required.

- With engine cool, remove filter and plug fuel line sections.
- Place new fuel filter in position in fuel line with arrow pointing towards carburetor.
- Be sure there are no fuel line leaks and clamps are properly positioned.
- Immediately wipe up any spilled gasoline.

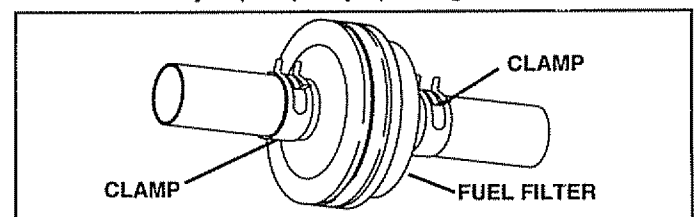


FIG. 22

CLEANING

- Clean engine, battery, seat, finish, etc. of all foreign matter.
- Keep finished surfaces and wheels free of all gasoline, oil, etc.
- Protect painted surfaces with automotive type wax.

We do not recommend using a garden hose to clean your tractor unless the electrical system, muffler, air filter and carburetor are covered to keep water out. Water in engine can result in a shortened engine life.

SERVICE AND ADJUSTMENTS

CAUTION: BEFORE PERFORMING ANY SERVICE OR ADJUSTMENTS:



- Depress clutch/brake pedal fully and set parking brake.
- Place gearshift lever in "NEUTRAL" position.
- Place attachment clutch in "DISENGAGED" position.
- Turn ignition key "OFF" and remove key.
- Make sure the blades and all moving parts have completely stopped.
- Disconnect spark plug wire from spark plug and place wire where it cannot come in contact with plug.

TRACTOR

TO REMOVE MOWER (See Fig. 23)

- Place attachment clutch in "DISENGAGED" position.
- Turn height adjustment knob to lowest setting.
- Lower mower to its lowest position.
- Remove retainer spring holding anti-swaybar to chassis bracket and disengage anti-swaybar from bracket.
- Remove retainer springs from suspension arms at deck and disengage arms from deck.
- Raise attachment lift to its highest position.
- Remove two retainer springs from each front link and remove links.
- Slide mower forward and remove belt from electric clutch pulley.
- Slide mower out from under right side of tractor.

IMPORTANT: IF AN ATTACHMENT OTHER THAN THE MOWER DECK IS TO BE MOUNTED ON THE TRACTOR, REMOVE THE FRONT LINKS.

TO INSTALL MOWER

Follow procedure described in "INSTALL MOWER AND DRIVE BELT" in the Assembly section of this manual.

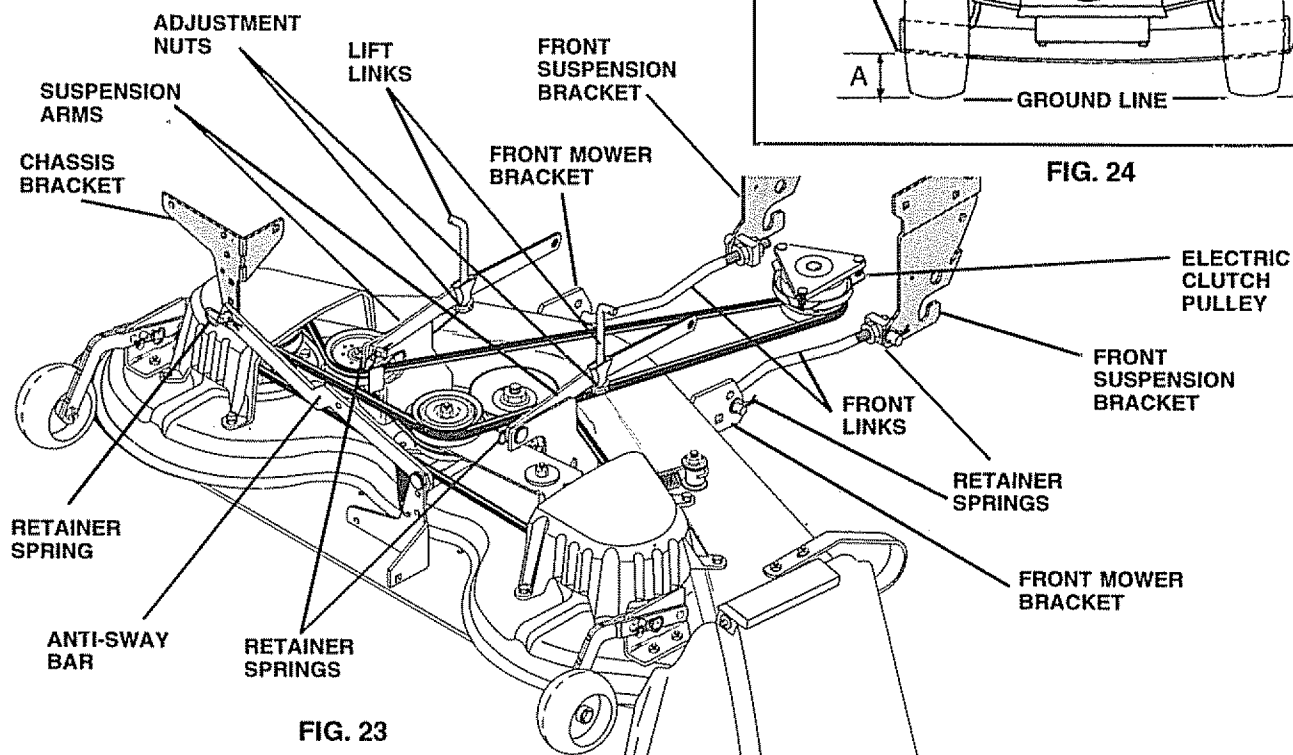


FIG. 23

TO LEVEL MOWER HOUSING

Adjust the mower while tractor is parked on level ground or driveway. Make sure tires are properly inflated (See "PRODUCT SPECIFICATIONS" on page 3 of this manual). If tires are over or underinflated, you will not properly adjust your mower.

SIDE-TO-SIDE ADJUSTMENT (See Figs. 23 and 24)

- Raise mower to its highest position.
- Measure height from bottom of deck curl to ground level at front corners of mower. Distance "A" should be the same.
- If distance "A" needs to be changed, make adjustment on one side of mower only.
- Raise one side of mower by tightening lift link adjustment nut on that side.
- Lower one side of mower by loosening lift link adjustment nut on that side.

NOTE: Each half turn of adjustment nut will change deck level about 1/4".

- Recheck level after adjusting.

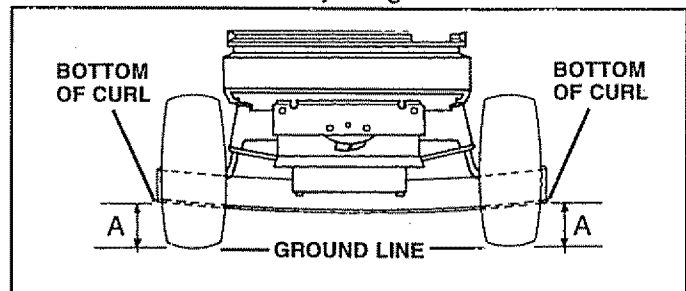


FIG. 24

SERVICE AND ADJUSTMENTS

FRONT-TO-BACK ADJUSTMENT (See Figs. 25 and 26) -

IMPORTANT: DECK MUST BE LEVEL SIDE-TO-SIDE. IF THE FOLLOWING FRONT-TO-BACK ADJUSTMENT IS NECESSARY, BE SURE TO ADJUST BOTH FRONT LINKS EQUALLY SO MOWER WILL STAY LEVEL SIDE-TO-SIDE.

To obtain the best cutting results, the mower housing should be adjusted so the front is approximately 1/8" to 1/2" lower than the rear when the mower is in its highest position.

Check adjustment on right side of tractor. Measure distance "F" directly in front of and behind the mandrel at bottom edge of mower housing as shown.

- Before making any necessary adjustments, check that both front links are equal in length.
- If links are not equal in length, adjust one link to same length as other link.
- To lower front of mower housing, loosen nut "G" on both front links an equal number of turns.
- When distance "F" is 1/8" to 1/2" lower at front than rear, tighten nut "H" against trunnion on both front links.
- To raise front of mower housing, loosen nut "H" from trunnion on both front links. Tighten nut "G" on both front links an equal number of turns.
- When distance "F" is 1/8" to 1/2" lower at front than rear, tighten nut "H" against trunnion on both front links.

NOTE: Each full turn of nut "G" will change dim. "F" by approximately 3/8".

- Recheck side-to-side adjustment.

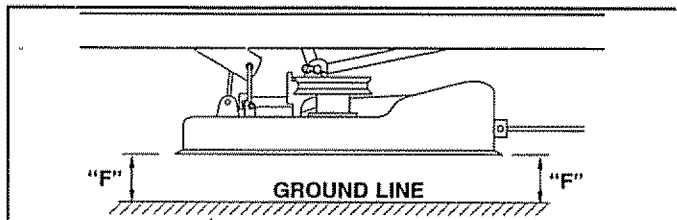


FIG. 25

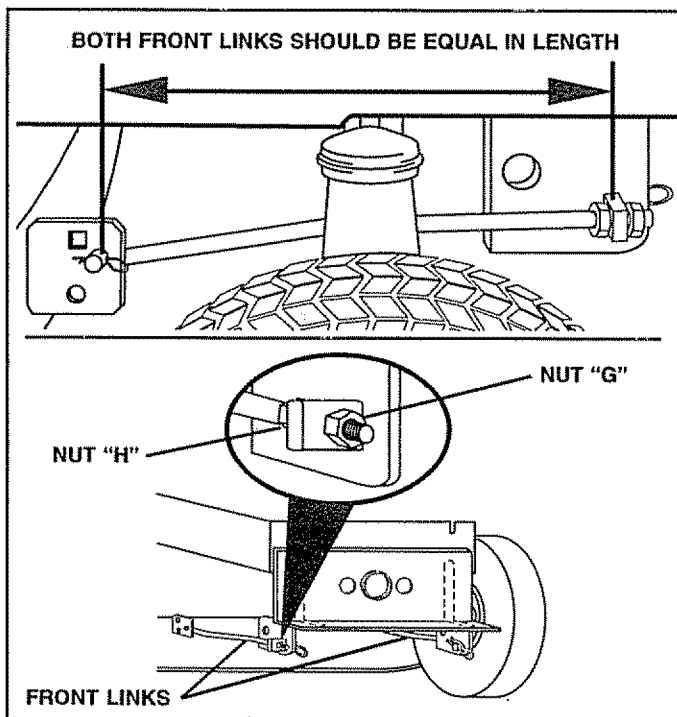


FIG. 26

TO REPLACE MOWER DRIVE BELT

MOWER DRIVE BELT REMOVAL (See Fig. 27) -

- Park tractor on a level surface. Engage parking brake.
- Remove four screws from L.H. mandrel cover and remove cover.
- Roll belt over the top of L.H. mandrel pulley.
- Remove belt from electric clutch pulley.
- Remove belt from idler pulleys.
- Remove any dirt or grass clippings which may have accumulated around mandrels and entire upper deck surface.
- Check primary idler arm and two idlers to see that they rotate freely.
- Be sure spring is securely hooked to primary idler arm and bolt in mower housing.

MOWER DRIVE BELT INSTALLATION (See Fig. 27) -

- Install belt in both idlers. Make sure belt is in both belt keepers at the idlers as shown.
- Install new belt onto electric clutch pulley.
- Roll belt into upper groove of L.H. mandrel pulley.
- Carefully check belt routing making sure belt is in the grooves correctly and inside belt keepers.
- Reassemble L.H. mandrel cover.

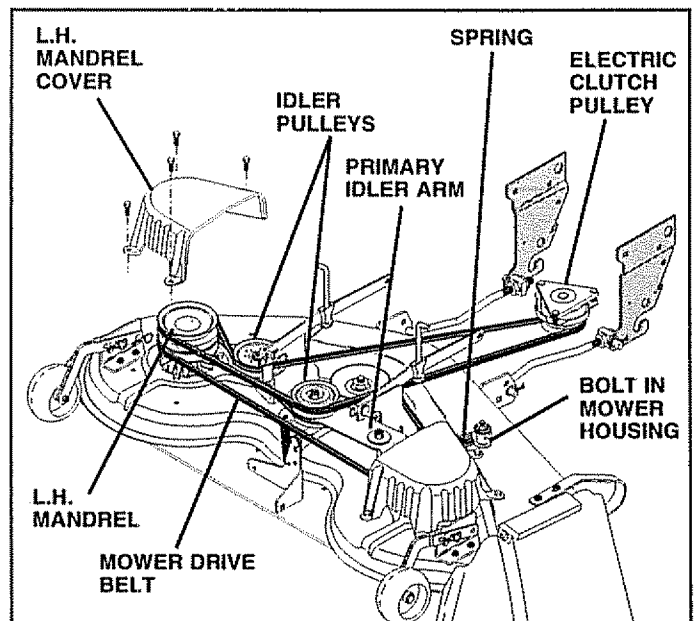


FIG. 27

SERVICE AND ADJUSTMENTS

TO REPLACE MOWER BLADE DRIVE BELT (See Fig. 28)

Park the tractor on level surface. Engage parking brake.

- Remove mower drive belt (See "TO REPLACE MOWER DRIVE BELT" in this section of this manual).
- Remove mower (See "TO REMOVE MOWER" in this section of this manual).
- Remove four screws from R.H. mandrel cover and remove cover. Unhook spring from bolt on mower housing.
- Carefully roll belt off R.H. mandrel.
- Remove belt from center mandrel, idler pulley, and L.H. mandrel.
- Remove any dirt or grass which may have accumulated around mandrels and entire upper deck surface.
- Check secondary idler arm and idler to see that they rotate freely.
- Be sure spring is hooked in secondary idler arm and sway-bar bracket.
- Install new belt in lower groove of L.H. mandrel, idler, and center mandrel as shown.
- Roll belt over R.H. mandrel. Make sure belt is in all grooves properly.
- Reconnect spring to bolt in mower housing and reinstall R.H. mandrel cover.
- Reinstall mower to tractor (See "TO INSTALL MOWER" in the Assembly section of this manual).
- Reassemble mower drive belt (See "TO REPLACE MOWER DRIVE BELT" in this section of this manual).

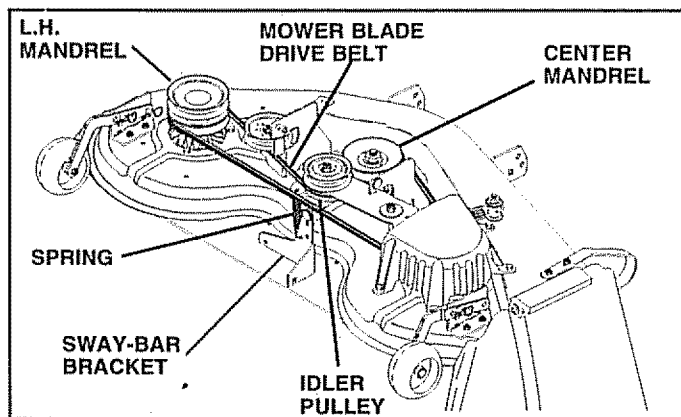


FIG. 28

TO ADJUST ATTACHMENT CLUTCH (See Fig. 29)

The electric clutch should provide years of service. The clutch has a built-in brake that stops the pulley within 5 seconds. Eventually, the internal brake will wear which may cause the mower blades to not engage, or, to not stop as required. Adjustments should be made by an authorized service technician.

- Make sure attachment clutch and ignition switches are in "OFF" position.
- Adjust the three nylon locknuts until space between clutch plate and rotor measures .012" at all three slot locations cut inside of brake plate.

NOTE: After installing a new electric clutch, run tractor at full throttle and engage and disengage electric clutch 10 cycles to wear in clutch plate.

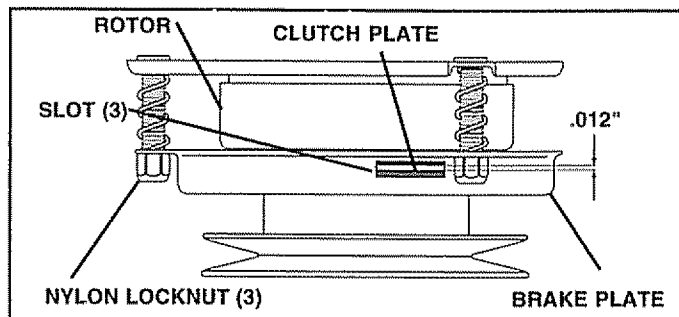


FIG. 29

TO ADJUST BRAKE (See Fig. 30)

Your tractor is equipped with an adjustable brake system which is mounted on the left side of the transaxle.

If tractor requires more than six (6) feet stopping distance at high speed in highest gear, then brake must be adjusted.

IMPORTANT: DO NOT OVER TIGHTEN BRAKE. WHEN DEPRESSING CLUTCH BRAKE PEDAL, THE MOTION DRIVE BELT MUST STOP MOVING (DECLUTCH FROM ENGINE PULLEY) BEFORE BRAKE ENGAGES. IMPROPER ADJUSTMENT WILL CAUSE HARD SHIFTING AND EXCESSIVE WEAR TO BRAKE LINING.

- Park and turn off the tractor on a level surface. Place gear shift lever in "N" (neutral) position. Disengage parking brake and be sure tractor does not roll in either direction.
- Lower mower deck (if installed on tractor).
- Snap out access hole cover on left side of tractor above footrest.
- Loosen jam nut at clevis which will allow brake rod to be rotated.
- With pliers, from underside of chassis, unscrew brake rod from clevis four (4) to six (6) full turns.
- Start tractor with gearshift lever in "N" (neutral) position.
- Slowly depress clutch/brake pedal to the point where the motion drive belt stops moving. Hold clutch/brake pedal in this position and engage parking brake. If belt begins to move after engaging parking brake, reset parking brake by depressing clutch/brake pedal slightly to next notch on parking brake.
- Stop engine. Screw brake rod back into clevis until clevis pin is against rear edge of slot in brake arm. Do not over tighten (see "IMPORTANT" above).
- Tighten jam nut against clevis.
- Replace access hole cover.
- Test tractor for proper stopping distance and declutching as stated above. Readjust if necessary. If proper adjustment cannot be attained, further maintenance is necessary. Contact your nearest authorized service center.

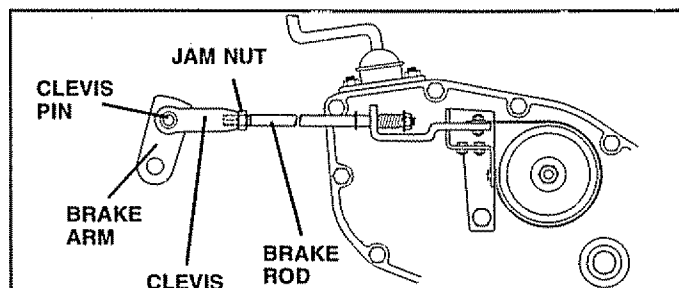


FIG. 30

SERVICE AND ADJUSTMENTS

TO REPLACE MOTION DRIVE BELT (See Fig. 31)

Park the tractor on level surface. Engage parking brake. For ease of service there is a belt installation guide decal on bottom of left footrest. It is not necessary to remove mower.

BELT REMOVAL -

- Raise hood and disconnect BLACK (grounding) battery cable.
- Set parking brake (to get belt slack).
- Remove mower drive belt from electric clutch pulley only (See "TO REPLACE MOWER DRIVE BELT" in this section of this manual).
- Roll belt off transaxle pulley.
- Roll belt off clutching idler pulleys, then off engine pulley and front V-idler pulley.
- Pull belt out of all beltkeepers.

BELT INSTALLATION -

- Place V part of belt into grooves on engine pulley and front V-idler, making sure to route belt inside of beltkeepers.
- Put belt coming from V-idler above midspan beltkeeper, then onto clutching idler pulleys as shown.
- Make sure "V" part of belt engages "V" idler.
- Place belt around transaxle pulley, beginning at top. "V" part of belt should engage transaxle pulley.
- Place long lower section of belt through loop in midspan beltkeeper.
- Check to be sure belt is on proper side of all beltkeepers.
- Release parking brake.

IMPORTANT: CHECK BRAKE ADJUSTMENT.

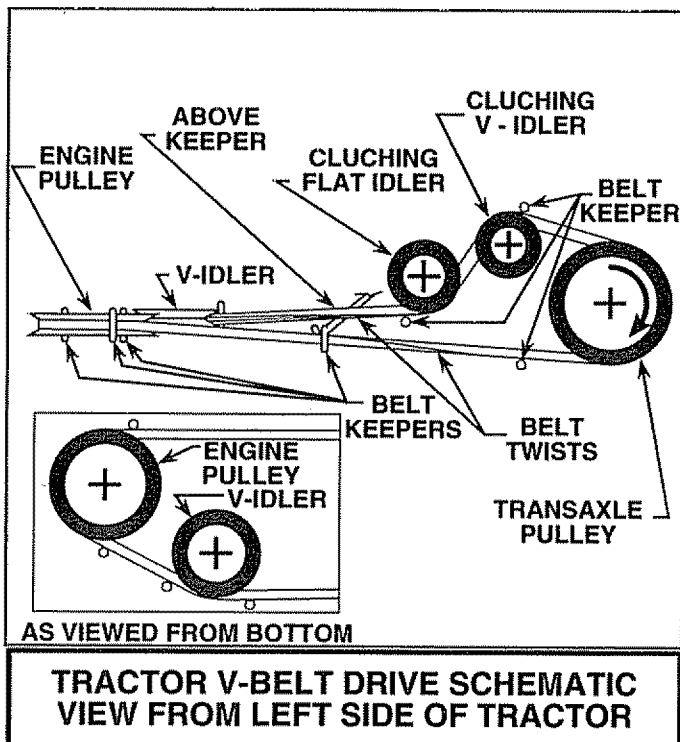


FIG. 31

TO ADJUST STEERING WHEEL ALIGNMENT

If steering wheel crossbars are not horizontal (left to right) when wheels are positioned straight forward, remove steering wheel and reassemble per instructions in the Assembly section of this manual.

FRONT WHEEL TOE-IN ADJUSTMENT

Front wheel toe-in is required for proper steering operation. Toe-in was set at the factory and adjustment should not be necessary. If parts in the front axle or steering mechanism have been replaced or damaged, check toe-in and adjust if necessary.

TO CHECK TOE-IN (See Fig. 32) -

- Position front wheels straight ahead.
- Measure distance between wheels at front and rear of tires (dimensions "A" and "B").
- Front dimension "A" should be 1/8" to 1/4" less than rear dimension "B".

TO ADJUST TOE-IN (See Figs. 32 and 33) -

- Loosen jam nuts at adjustment sleeves on tie rod.
- Adjust tie rod until dimension "A" is 1/8" to 1/4" less than dimension "B".
- Tighten jam nuts securely.

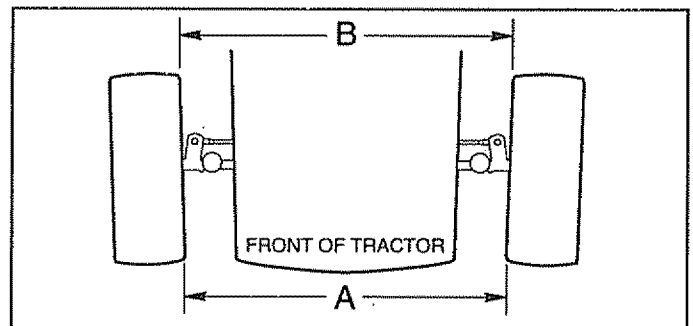


FIG. 32

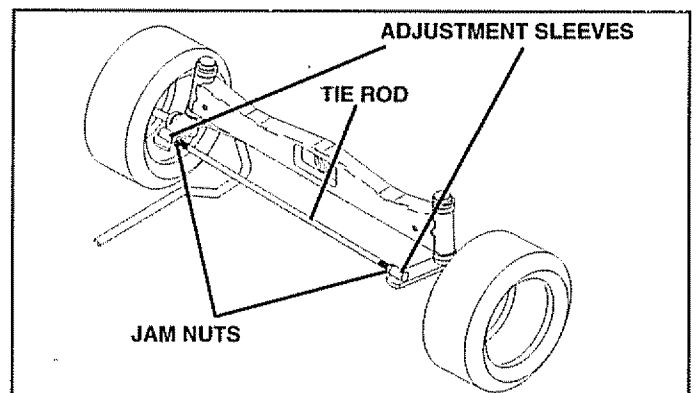


FIG. 33

FRONT WHEEL CAMBER

The front wheel camber is not adjustable on your tractor. If damage has occurred to affect the front wheel camber, contact your nearest authorized service center.

SERVICE AND ADJUSTMENTS

TO REMOVE WHEEL FOR REPAIRS

FRONT WHEEL (See Fig. 34) -

- Block up axle securely.
- Remove axle cover, retaining ring and washers to allow wheel removal.
- Repair tire and reassemble.
- Replace washers and snap retaining ring securely in axle groove.
- Replace cover.

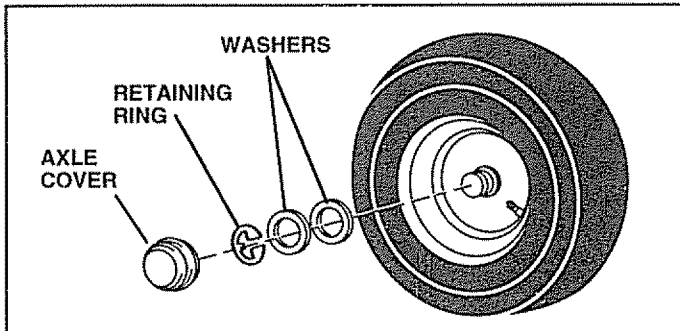


FIG. 34

REAR WHEEL -

- Block rear axle securely.
- Remove five (5) hub bolts to allow wheel removal.
- Repair tire and reassemble. Replace and tighten hub bolts securely.

TO START ENGINE WITH A WEAK BATTERY (See Figs. 35 and 36)



CAUTION: Lead-acid batteries generate explosive gases. Keep sparks, flame and smoking materials away from batteries. Always wear eye protection when around batteries.

If your battery is too weak to start the engine, it should be recharged. If "jumper cables" are used for emergency starting, follow this procedure:

IMPORTANT: YOUR TRACTOR IS EQUIPPED WITH A 12 VOLT NEGATIVE GROUNDED SYSTEM. THE OTHER VEHICLE MUST ALSO BE A 12 VOLT NEGATIVE GROUNDED SYSTEM. DO NOT USE YOUR TRACTOR BATTERY TO START OTHER VEHICLES.

TO ATTACH JUMPER CABLES -

- Connect each end of the RED cable to the POSITIVE (+) terminal of each battery, taking care not to short against chassis.
- Connect one end of the BLACK cable to the NEGATIVE (-) terminal of fully charged battery.
- Connect the other end of the BLACK cable to a panel bolt on the left side of the tractor, away from fuel tank and battery.

TO REMOVE CABLES, REVERSE ORDER -

- BLACK cable first from chassis and fully charged battery.
- RED cable last from both batteries.

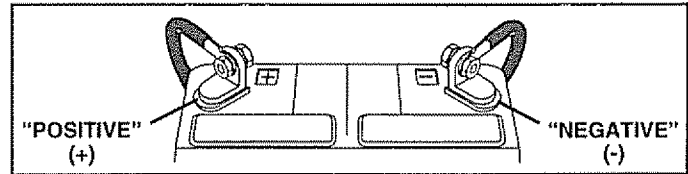


FIG. 35

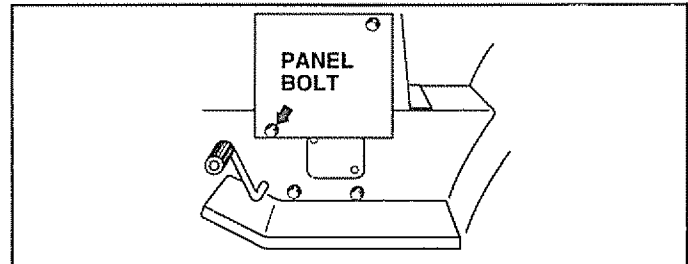


FIG. 36

TO REPLACE HEADLIGHT BULB

- Raise hood.
- Pull bulb holder out of the hole in the backside of the grill.
- Replace bulb in holder and push bulb holder securely back into the hole in the backside of the grill.
- Close hood.

INTERLOCKS AND RELAYS

Loose or damaged wiring may cause your tractor to run poorly, stop running, or prevent it from starting.

- Check wiring. See electrical wiring diagram in Repair Parts section of this manual.

TO REPLACE FUSE

Replace with 30 amp automotive-type plug-in fuse. The fuse holder is located behind the dash.

TO ADJUST ATTACHMENT LIFT SPRING (See Fig. 37)

- While holding spring bushing with wrench, loosen jam nut.
- Turn adjustment bolt clockwise to extend spring and reduce lift effort (for heavier attachments).
- Turn adjustment bolt counterclockwise (for lighter attachments).
- Retighten jam nut against spring bushing.

IMPORTANT: DO NOT ADJUST FOR MAXIMUM SPRING TENSION WHEN USING LIGHT ATTACHMENTS SUCH AS A MOWER. ADJUST LIFT LEVER SPRING TO AID IN LIFTING ATTACHMENT. DO NOT OVERPOWER SPRING. WHEN REMOVING ATTACHMENT, ALWAYS ADJUST TO SPRING TENSION TO ITS LOWEST POSITION.

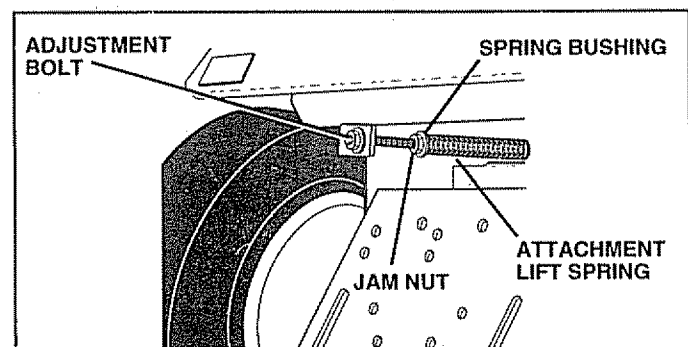


FIG. 37

SERVICE AND ADJUSTMENTS

TO REMOVE HOOD AND GRILL ASSEMBLY (See Fig. 38)

- Raise hood.
- Unsnap headlight wire connector.
- Stand in front of tractor. Grasp hood at sides, tilt toward engine and lift off of tractor.
- To replace, reverse above procedure.

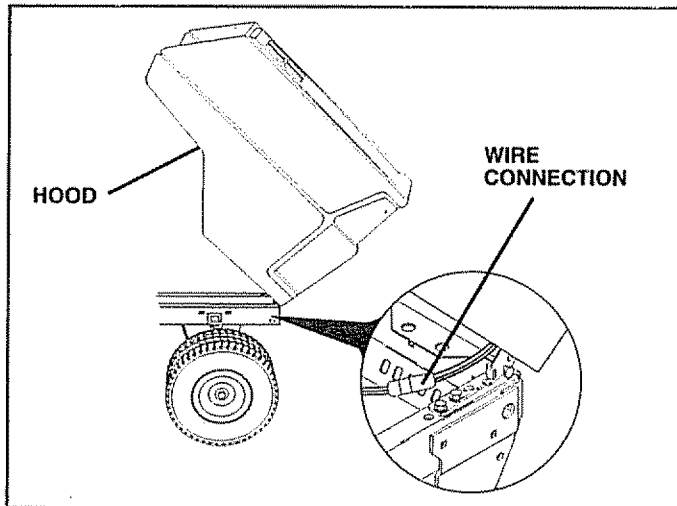


FIG. 38

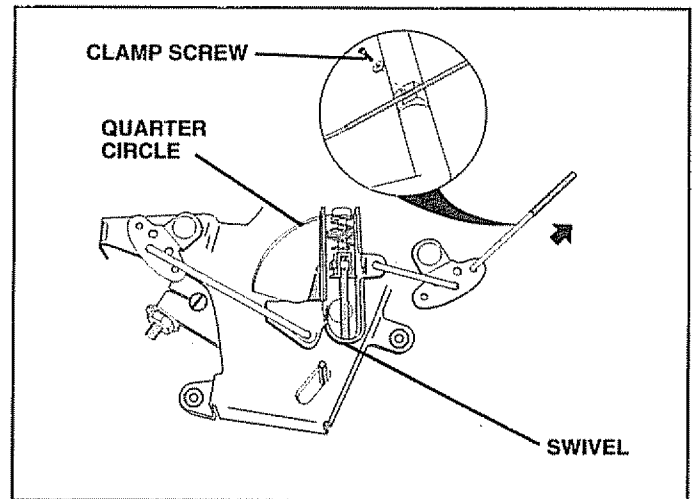


FIG. 39

ENGINE

TO ADJUST THROTTLE CONTROL CABLE (See Fig. 39)

The throttle control has been preset at the factory and adjustment should not be necessary. Check adjustment as described below before loosening cable. If adjustment is necessary, proceed as follows:

- With engine not running, move throttle control lever to "FAST" position.
- Check that swivel is against side of quarter circle. If it is not, loosen cable clamp screw and pull cable back until swivel is against quarter circle. Tighten cable clamp screw securely.

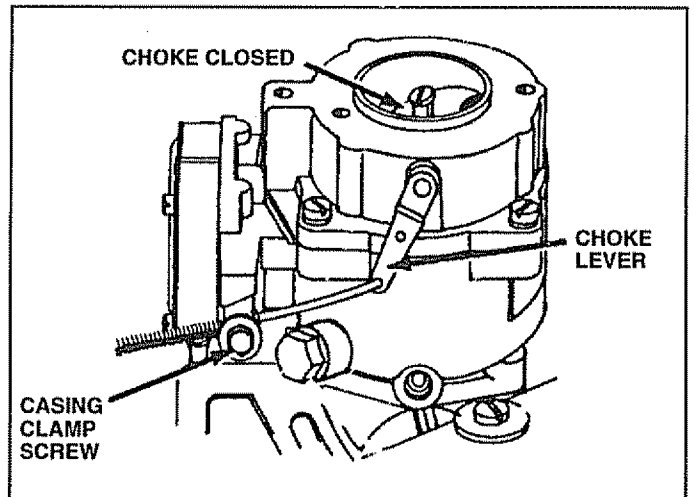


FIG. 40

TO ADJUST CHOKE CONTROL (See Fig. 40)

The choke control has been preset at the factory and adjustment should not be necessary. Check adjustment as described below before loosening cable. If adjustment is necessary, proceed as follows:

- With engine not running, move choke control (located on dash panel) to full "CHOKE" position.
- Remove air cleaner cover, filter and spitback plate to expose carburetor choke (see "AIR FILTER" in maintenance section).
- Choke should be closed. If it is not, loosen casing clamp screw and move choke cable until choke is completely closed. Tighten casing clamp screw securely.
- Reassemble air cleaner.

SERVICE AND ADJUSTMENTS

TO ADJUST CARBURETOR (See Figs. 41 and 42)

The carburetor has been preset at the factory and adjustment should not be necessary. However, minor adjustment may be required to compensate for differences in fuel, temperature, altitude or load. If the carburetor does need adjustment, proceed as follows:

In general, turning the mixture screw **in** (clockwise) decreases the supply of fuel to the engine giving a leaner fuel/air mixture. Turning the mixture screw **out** (counterclockwise) increases the supply of fuel to the engine giving a richer fuel/air mixture.

IMPORTANT: DAMAGE TO THE NEEDLES AND THE SEATS IN CARBURETOR MAY RESULT IF SCREW IS TURNED IN TOO TIGHT.

PRELIMINARY SETTING -

- Be sure you have a clean air filter, and the throttle control cable and choke are adjusted properly (see above).
- With engine off turn idle mixture screw **in** (clockwise) closing it finger tight and then turn **out** (counterclockwise) 1-1/4 to 1-1/2 turns.

FINAL SETTING -

- Start engine and allow to warm for five minutes. Make final adjustments with engine running and shift/ motion control lever in "NEUTRAL" position.
- With throttle control lever in "SLOW" position, hold throttle lever against idle speed screw and adjust idle speed screw to obtain 1200 to 1400 RPM.
- While still holding throttle lever against idle speed screw, turn idle mixture screw **in** (clockwise) until engine begins to die and then turn **out** (counterclockwise) until engine runs rough. Turn screw to a point midway between those two positions.
- Continue to hold throttle lever against idle speed screw and adjust idle speed screw to obtain 900 to 1200 RPM. Release throttle lever.

ACCELERATION TEST -

- Move throttle control lever from "SLOW" to "FAST" position. If engine hesitates or dies, turn idle mixture screw **out** (counterclockwise) 1/8 turn. Repeat test and continue to adjust, if necessary, until engine accelerates smoothly.

High speed stop is factory adjusted. Do not adjust - damage may result.

IMPORTANT: NEVER TAMPER WITH THE ENGINE GOVERNOR, WHICH IS FACTORY SET FOR PROPER ENGINE SPEED. OVSPEEDING THE ENGINE ABOVE THE FACTORY HIGH SPEED SETTING CAN BE DANGEROUS. IF YOU THINK THE ENGINE-GOVERNED HIGH SPEED NEEDS ADJUSTING, CONTACT YOUR NEAREST AUTHORIZED SERVICE CENTER, WHICH HAS PROPER EQUIPMENT AND EXPERIENCE TO MAKE ANY NECESSARY ADJUSTMENTS.

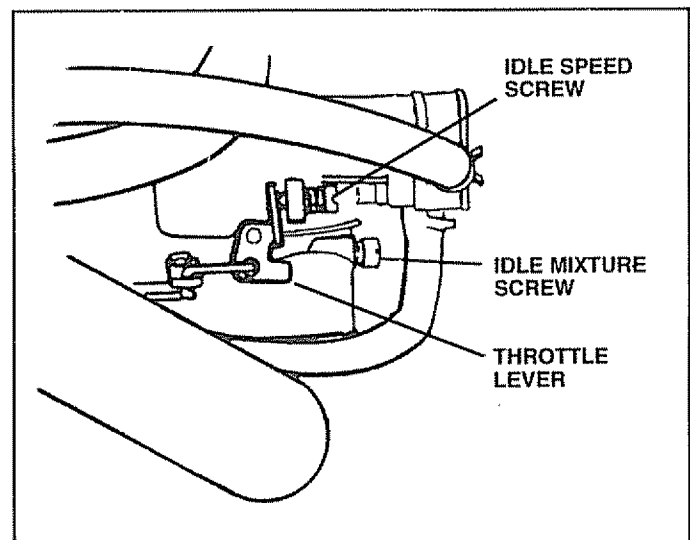


FIG. 41

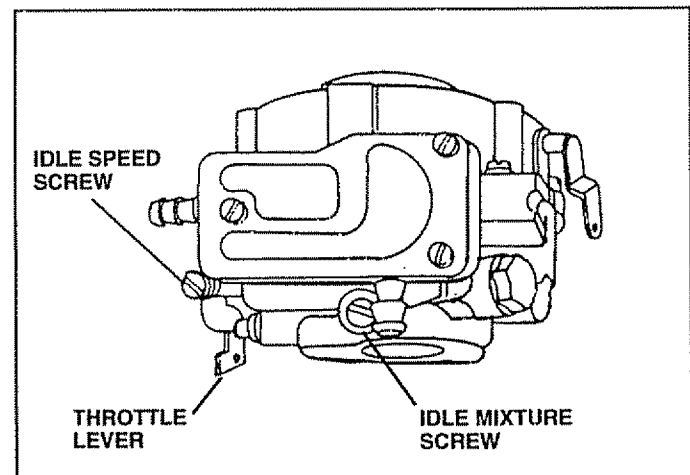


FIG. 42

STORAGE

Immediately prepare your tractor for storage at the end of the season or if the tractor will not be used for 30 days or more.



CAUTION: Never store the tractor with gasoline in the tank inside a building where fumes may reach an open flame or spark. Allow the engine to cool before storing in any enclosure.

TRACTOR

Remove mower from tractor for winter storage. When mower is to be stored for a period of time, clean it thoroughly, remove all dirt, grease, leaves, etc. Store in a clean, dry area.

- Clean entire tractor (See "CLEANING" in the Customer Responsibilities section of this manual).
- Inspect and replace belts, if necessary (See belt replacement instructions in the Service and Adjustments section of this manual).
- Lubricate as shown in the Customer Responsibilities section of this manual.
- Be sure that all nuts, bolts and screws are securely fastened. Inspect moving parts for damage, breakage and wear. Replace if necessary.
- Touch up all rusted or chipped paint surfaces; sand lightly before painting.

BATTERY

- Fully charge the battery for storage.
- After a period of time in storage, battery may require recharging.
- To help prevent corrosion and power leakage during long periods of storage, battery cables should be disconnected and battery cleaned thoroughly (see "TO CLEAN BATTERY AND TERMINALS" in the Customer Responsibilities section of this manual).
- After cleaning, leave cables disconnected and place cables where they cannot come in contact with battery terminals.
- Be sure battery drain tube is securely attached.
- If battery is removed from tractor for storage, do not store battery directly on concrete or damp surfaces.

ENGINE

FUEL SYSTEM

IMPORTANT: IT IS IMPORTANT TO PREVENT GUM DEPOSITS FROM FORMING IN ESSENTIAL FUEL SYSTEM PARTS SUCH AS CARBURETOR, FUEL FILTER, FUEL HOSE, OR TANK DURING STORAGE. ALSO, EXPERIENCE INDICATES THAT ALCOHOL BLENDED FUELS (CALLED GASOHOL OR USING ETHANOL OR METHANOL) CAN ATTRACT MOISTURE WHICH LEADS TO SEPARATION AND FORMATION OF ACIDS DURING STORAGE. ACIDIC GAS CAN DAMAGE THE FUEL SYSTEM OF AN ENGINE WHILE IN STORAGE.

- Drain the fuel tank.
- Start the engine and let it run until the fuel lines and carburetor are empty.
- Never use engine or carburetor cleaner products in the fuel tank or permanent damage may occur.
- Use fresh fuel next season.

NOTE: Fuel stabilizer is an acceptable alternative in minimizing the formation of fuel gum deposits during storage. Add stabilizer to gasoline in fuel tank or storage container. Always follow the mix ratio found on stabilizer container. Run engine at least 10 minutes after adding stabilizer to allow the stabilizer to reach the carburetor. Do not drain the gas tank and carburetor if using fuel stabilizer.

ENGINE OIL

Drain oil (with engine warm) and replace with clean engine oil. (See "ENGINE" in the Customer Responsibilities section of this manual).

CYLINDERS

- Remove spark plug(s).
- Pour one ounce of oil through spark plug hole(s) into cylinder(s).
- Turn ignition key to "START" position for a few seconds to distribute oil.
- Replace with new spark plug(s).

OTHER

- Do not store gasoline from one season to another.
- Replace your gasoline can if your can starts to rust. Rust and/or dirt in your gasoline will cause problems.
- If possible, store your tractor indoors and cover it to give protection from dust and dirt.
- Cover your tractor with a suitable protective cover that does not retain moisture. Do not use plastic. Plastic cannot breathe which allows condensation to form and will cause your tractor to rust.

IMPORTANT: NEVER COVER TRACTOR WHILE ENGINE AND EXHAUST ARE STILL WARM.

SERVICE NOTES

TROUBLESHOOTING POINTS

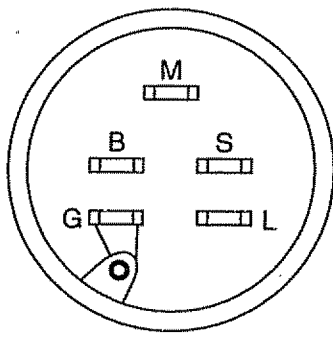
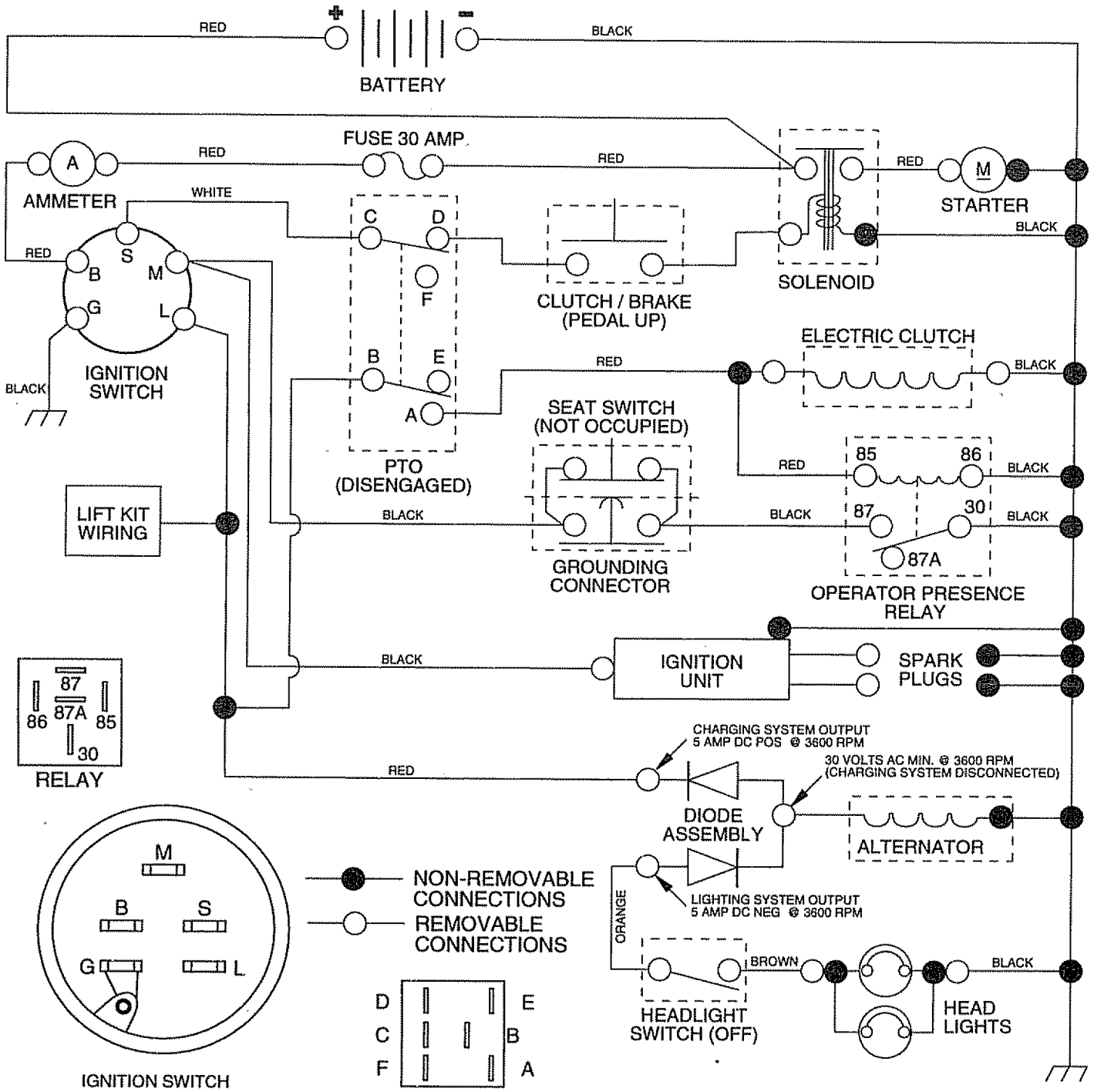
PROBLEM	CAUSE	CORRECTION
Will not start	<ol style="list-style-type: none"> 1. Out of fuel 2. Engine not "CHOKED" properly. 3. Engine flooded. 4. Bad spark plug. 5. Dirty air filter. 6. Dirty fuel filter. 7. Water in fuel 8. Loose or damaged wiring. 9. Carburetor out of adjustment 10. Engine valves out of adjustment. 	<ol style="list-style-type: none"> 1. Fill fuel tank. 2. See "TO START ENGINE" in Operation section. 3. Wait several minutes before attempting to start. 4. Replace spark plug. 5. Clean/replace air filter. 6. Replace fuel filter. 7. Drain fuel tank and carburetor, refill tank with fresh gasoline and replace fuel filter. 8. Check all wiring. 9. Contact an authorized service center/department. 10. Contact an authorized service center/department.
Hard to start	<ol style="list-style-type: none"> 1. Dirty air filter. 2. Bad spark plug. 3. Weak or dead battery. 4. Dirty fuel filter. 5. Stale or dirty fuel. 6. Loose or damaged wiring. 7. Carburetor out of adjustment. 8. Engine valves out of adjustment. 	<ol style="list-style-type: none"> 1. Clean/replace air filter. 2. Replace spark plug. 3. Recharge or replace battery. 4. Replace fuel filter. 5. Drain fuel tank and refill with fresh gasoline. 6. Check all wiring. 7. Contact an authorized service center/department. 8. Contact an authorized service center/department.
Engine will not turn over	<ol style="list-style-type: none"> 1. Clutch/brake pedal not depressed. 2. Attachment clutch is engaged. 3. Weak or dead battery. 4. Blown fuse. 5. Corroded battery terminals. 6. Loose or damaged wiring. 7. Faulty ignition switch. 8. Faulty solenoid or starter. 9. Faulty operator presence switch(es). 	<ol style="list-style-type: none"> 1. Depress clutch/brake pedal. 2. Disengage attachment clutch. 3. Recharge or replace battery. 4. Replace fuse. 5. Clean battery terminals. 6. Check all wiring. 7. Check/replace ignition switch. 8. Check/replace solenoid or starter. 9. Contact an authorized service center/department.
Engine clicks but will not start	<ol style="list-style-type: none"> 1. Weak or dead battery. 2. Corroded battery terminals. 3. Loose or damaged wiring. 4. Faulty solenoid or starter. 	<ol style="list-style-type: none"> 1. Recharge or replace battery. 2. Clean battery terminals. 3. Check all wiring. 4. Check/replace solenoid or starter.
Loss of power	<ol style="list-style-type: none"> 1. Cutting too much grass/too fast. 2. Throttle in "CHOKE" position. 3. Build-up of grass, leaves and trash under mower. 4. Dirty air filter. 5. Low oil level/dirty oil. 6. Faulty spark plug. 7. Dirty fuel filter. 8. Stale or dirty fuel. 9. Water in fuel. 10. Spark plug wire loose. 11. Dirty engine air screen/fins. 12. Dirty/clogged muffler. 13. Loose or damaged wiring. 14. Carburetor out of adjustment. 15. Engine valves out of adjustment. 	<ol style="list-style-type: none"> 1. Set in "Higher Cut" position/reduce speed. 2. Adjust throttle control. 3. Clean underside of mower housing. 4. Clean/replace air filter. 5. Check oil level/change oil. 6. Clean and regap or change spark plug. 7. Replace fuel filter. 8. Drain fuel tank and refill with fresh gasoline. 9. Drain fuel tank and carburetor, refill tank with fresh gasoline and replace fuel filter. 10. Connect and tighten spark plug wire. 11. Clean engine air screen/fins. 12. Clean/replace muffler. 13. Check all wiring. 14. Contact an authorized service center/department. 15. Contact an authorized service center/department.
Excessive vibration	<ol style="list-style-type: none"> 1. Worn, bent or loose blade. 2. Bent blade mandrel. 3. Loose/damaged part(s). 	<ol style="list-style-type: none"> 1. Replace blade. Tighten blade bolt. 2. Replace blade mandrel. 3. Tighten loose part(s). Replace damaged parts.

TROUBLESHOOTING POINTS

PROBLEM	CAUSE	CORRECTION
Engine continues to run when operator leaves seat with attachment clutch engaged	<ol style="list-style-type: none"> 1. Faulty operator-safety presence control system. 	<ol style="list-style-type: none"> 1. Check wiring, switches and connections. If not corrected, contact an authorized service center/ department.
Poor cut - uneven	<ol style="list-style-type: none"> 1. Worn, bent or loose blade. 2. Mower deck not level 3. Buildup of grass, leaves, and trash under mower. 4. Bent blade mandrel. 5. Clogged mower deck vent holes from buildup of grass, leaves, and trash around mandrels. 	<ol style="list-style-type: none"> 1. Replace blade. Tighten blade bolt. 2. Level mower deck. 3. Clean underside of mower housing. 4. Replace blade mandrel. 5. Clean around mandrels to open vent holes.
Mower blades will not rotate	<ol style="list-style-type: none"> 1. Obstruction in clutch mechanism. 2. Worn/damaged mower drive belt. 3. Frozen idler pulley. 4. Frozen blade mandrel. 	<ol style="list-style-type: none"> 1. Remove obstruction. 2. Replace mower drive belt. 3. Replace idler pulley. 4. Replace blade mandrel.
Poor grass discharge	<ol style="list-style-type: none"> 1. Engine speed too slow. 2. Travel speed too fast. 3. Wet grass. 4. Mower deck not level. 5. Low/uneven tire air pressure. 6. Worn, bent or loose blade. 7. Buildup of grass, leaves and trash under mower. 8. Mower drive belt worn. 9. Blades improperly installed. 10. Improper blades used. 11. Clogged mower deck vent holes from buildup of grass, leaves, and trash around mandrels. 	<ol style="list-style-type: none"> 1. Place throttle control in "FAST" position. 2. Shift to slower speed. 3. Allow grass to dry before mowing. 4. Level mower deck. 5. Check tires for proper air pressure. 6. Replace/sharpen blade. Tighten blade bolt. 7. Clean underside of mower housing. 8. Replace mower drive belt. 9. Reinstall blades sharp edge down. 10. Replace with blades listed in this manual. 11. Clean around mandrels to open vent holes.
Headlight(s) not working (if so equipped)	<ol style="list-style-type: none"> 1. Switch is "OFF". 2. Bulb(s) burned out. 3. Faulty light switch. 4. Loose or damaged wiring. 5. Blown fuse. 	<ol style="list-style-type: none"> 1. Turn switch "ON". 2. Replace bulb(s). 3. Check/replace light switch. 4. Check wiring and connections. 5. Replace fuse.
Battery will not charge	<ol style="list-style-type: none"> 1. Bad battery cell(s). 2. Poor cable connections. 3. Faulty regulator (if so equipped). 4. Faulty alternator. 	<ol style="list-style-type: none"> 1. Replace battery. 2. Check/clean all connections. 3. Replace regulator. 4. Replace alternator.
Engine "backfires" when turning engine "OFF"	<ol style="list-style-type: none"> 1. Engine throttle control not set at "SLOW" position for 30 seconds before stopping engine. 	<ol style="list-style-type: none"> 1. Move throttle control to "SLOW" position and allow to idle for 30 seconds before stopping engine.

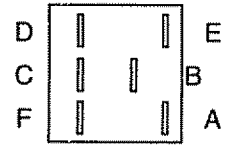
18 HP 44" TRACTOR - MODEL NUMBER 917.255970

SCHEMATIC



IGNITION SWITCH

● NON-REMOVABLE CONNECTIONS
○ REMOVABLE CONNECTIONS



PTO SWITCH

POSITION	CIRCUIT
OFF	M + G
ON	B + L
START	B + S

POSITION	CIRCUIT
OFF	B + E, C + D
ON	B + A, C + F

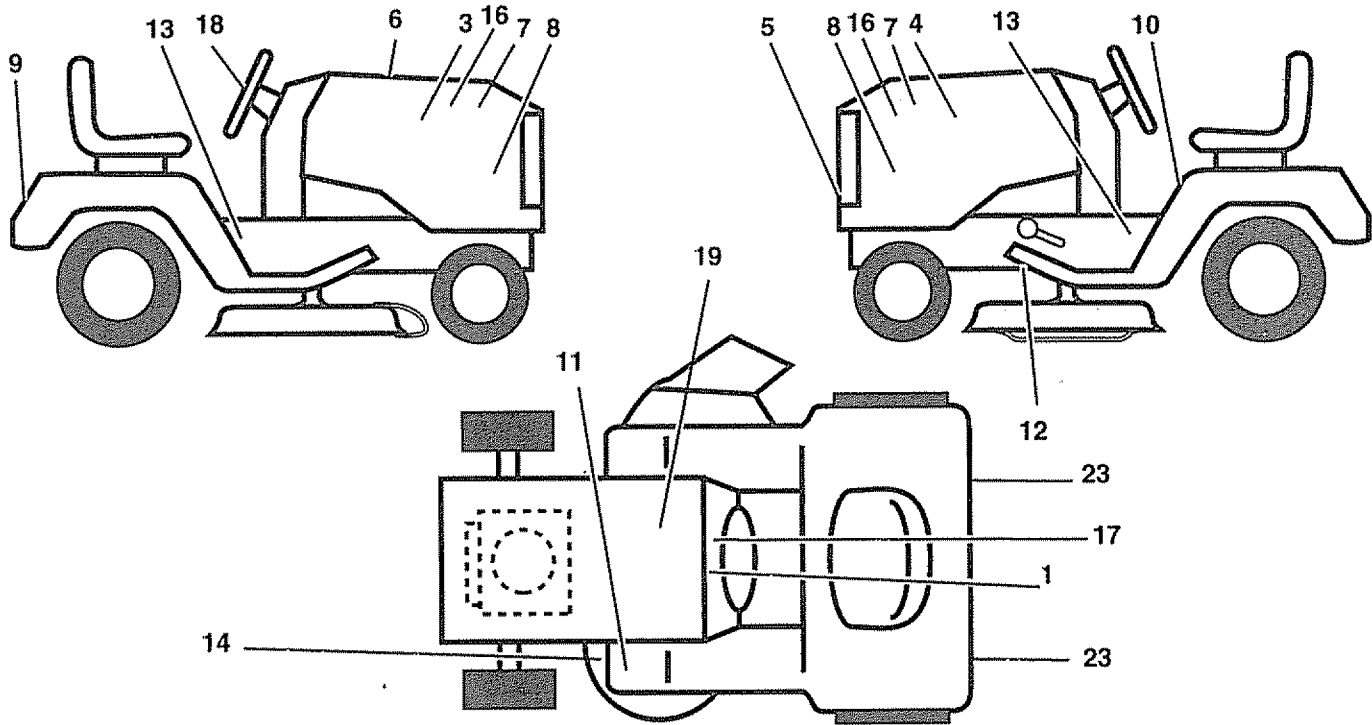
WIRING INSULATED CLIPS

NOTE: IF WIRING INSULATED CLIPS WERE REMOVED FOR SERVICING OF UNIT, THEY SHOULD BE REPLACED TO PROPERLY SECURE YOUR WIRING.

REPAIR PARTS

18 HP 44" TRACTOR - - MODEL NUMBER 917.255970

DECALS



KEY PART NO. NO.

DESCRIPTION

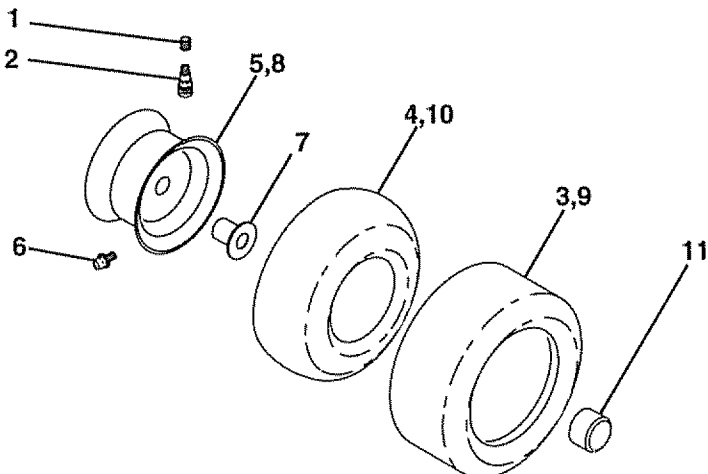
1	136794	Decal, Operating Instruction
3	138279	Decal, Hood, Craftsman, RH
4	138280	Decal, Hood, Craftsman, LH
5	138264	Decal, Grille, Craftsman
6	133644	Decal, Maintenance
7	138049	Decal, Side Panel
8	138262	Decal, Side Panel
9	125880X	Decal, Fender, Craftsman
10	137537	Decal, Caution
11	4900J	Decal, Clutch/Brake
12	138435	Decal, V-Belt Drive Schematic

KEY PART NO. NO.

DESCRIPTION

13	105567X	Decal, Chassis, 6 Speed/44"
14	139346	Decal, V-Belt Schematic
16	108631X	Decal II
17	138834	Decal, Dash
18	132267	Decal, Insert Strg
19	138047	Decal, Battery
23	106202X	Reflector, Taillight
--	138190	Manual, Owner's (Eng)
--	138191	Manual, Owner's (Span)

WHEELS & TIRES



KEY PART NO. NO.

DESCRIPTION






1	59192	Cap, Valve, Tire
2	65139	Stem, Valve
3	106230X	Tire, Front
4	8134H	Tube, Front (Service Item Only)
5	106228X361	Rim Assembly, Front
6	278H	Fitting, Grease (Front Wheel Only)
7	9040H	Bearing, Flange (Front Wheel Only)
8	106277X361	Rim Assembly, Rear
9	105588X	Tire, Rear
10	7154J	Tube, Rear (Service Item Only)
11	104757X	Cap, Axle (Front Wheel Only)
11	136327	Cover, Axle (Rear Wheel Only)

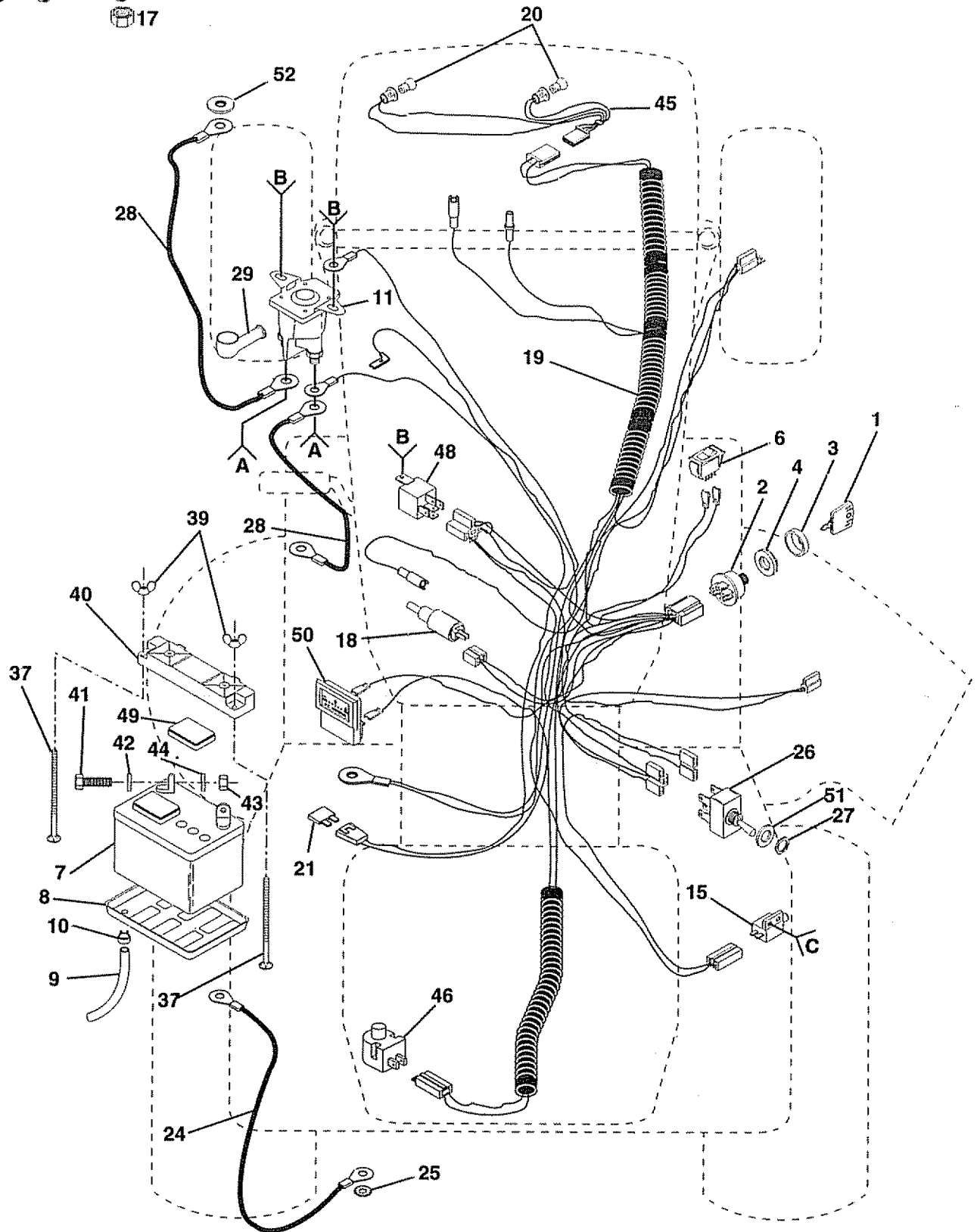
NOTE: All component dimensions given in U.S. inches
1 inch = 25.4 mm

REPAIR PARTS

18 HP 44" TRACTOR - MODEL NUMBER 917.255970

ELECTRICAL

- | | | |
|--|--|--|
| A | B | C |
|  12 |  14 |  16 |
|  13 | |  17 |



REPAIR PARTS

18 HP 44" TRACTOR - MODEL NUMBER 917.255970

ELECTRICAL

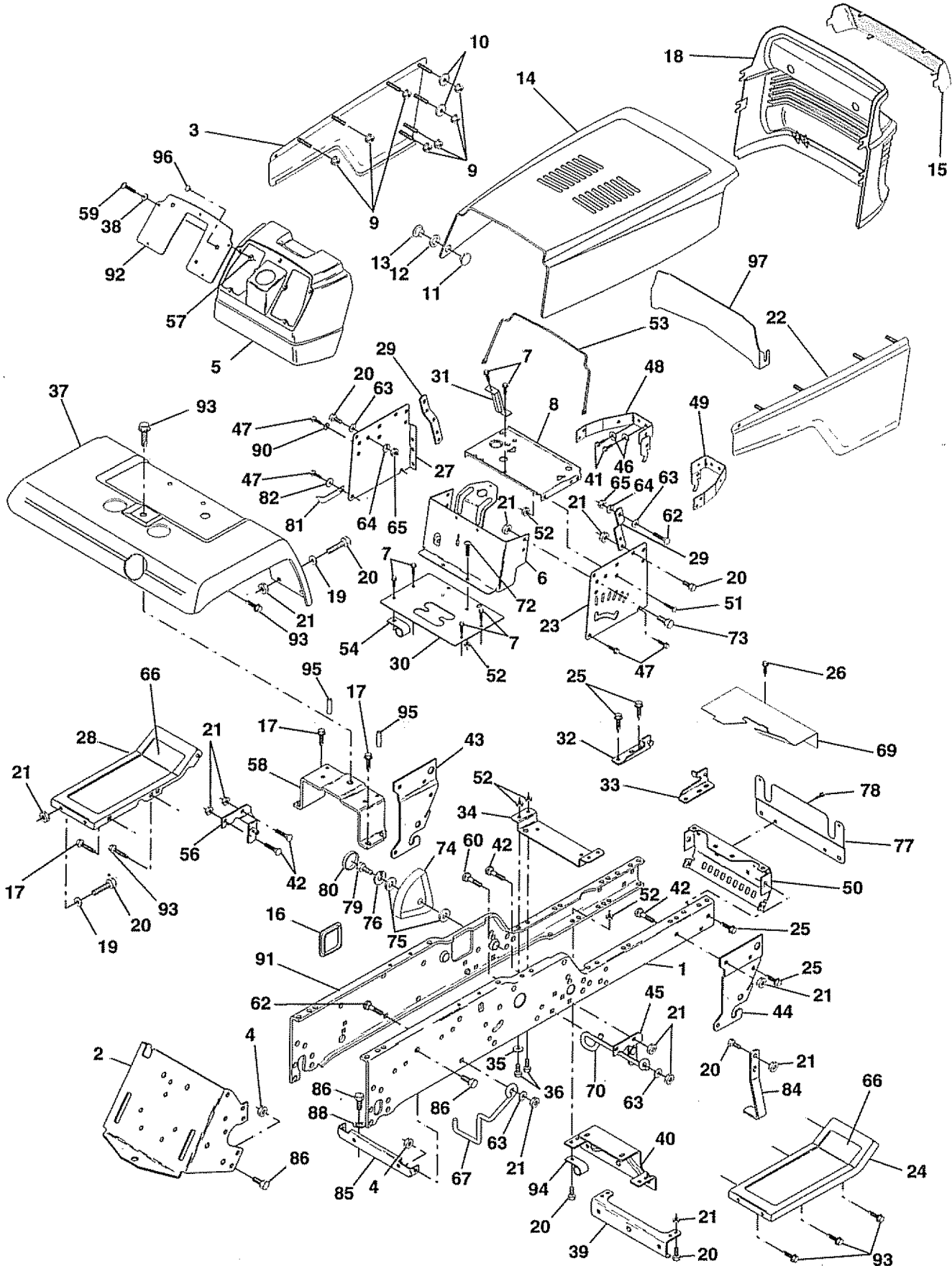
KEY PART NO.	NO.	DESCRIPTION
1	109310X	Key, Ignition
2	4406R	Switch, Ignition
3	123620X	Cover, Switch Key
4	124211X	Nut, Ignition
6	110712X	Switch, Light
7	121537X	Battery
8	7603J	Tray, Battery
9	7697J	Tube, Drain
10	109596X	Clamp, Hose
11	138406	Solenoid
12	10090400	Washer, Lock 1/4
13	STD541225	Nut, Hex Jam 1/4-20
14	17720408	Screw, Hex Washer Head, Thread Cutting 1/4-20 x 1/2
15	104445X	Switch, Intlk CI Grd Gry 2 Term
16	71031008	Screw, Hex Washer Head #10-32x1/2
17	73951000	Nut, Keps #10-32
18	135665	Diode Asm., Heavy Duty
19	138319	Harness, Ignition
20	4152J	Bulb, Headlight
21	108824X	Fuse
24	121080X	Cable, Ground
25	11050600	Washer, Lock External Tooth 3/8
26	4021J	Switch, P.T.O.
27	4022J	Nut, Hex 1/2-28 Unef
28	4799J	Cable, Battery
29	131563	Cover, Terminal
37	72240460	Bolt, Carriage 1/4-20 x 7-1/2
39	123198X	Nut, Wing 1/4-20
40	102476X	Guard, Terminal
41	STD522507	Bolt, Hex 1/4-20 x 3/4
42	STD551025	Washer 9/32 x 5/8 x 16 Ga.
43	STD541025	Nut, Hex 1/4-20
44	STD551125	Washer, Lock 1/4
45	127441X	Harness, Light Socket
46	121305X	Switch, Plunger
48	109748X	Relay, Operator Presence
49	121264X	Caps, Battery
50	121433X	Ammeter
51	19171216	Washer 17/32 x 3/4 x 16 Ga.
52	11150400	Washer, Int. Tooth

NOTE: All component dimensions given in U.S. inches
1 inch = 25.4 mm

REPAIR PARTS

18 HP 44" TRACTOR - MODEL NUMBER 917.255970

CHASSIS AND ENCLOSURES



REPAIR PARTS

18 HP 44" TRACTOR - MODEL NUMBER 917.255970

CHASSIS AND ENCLOSURES

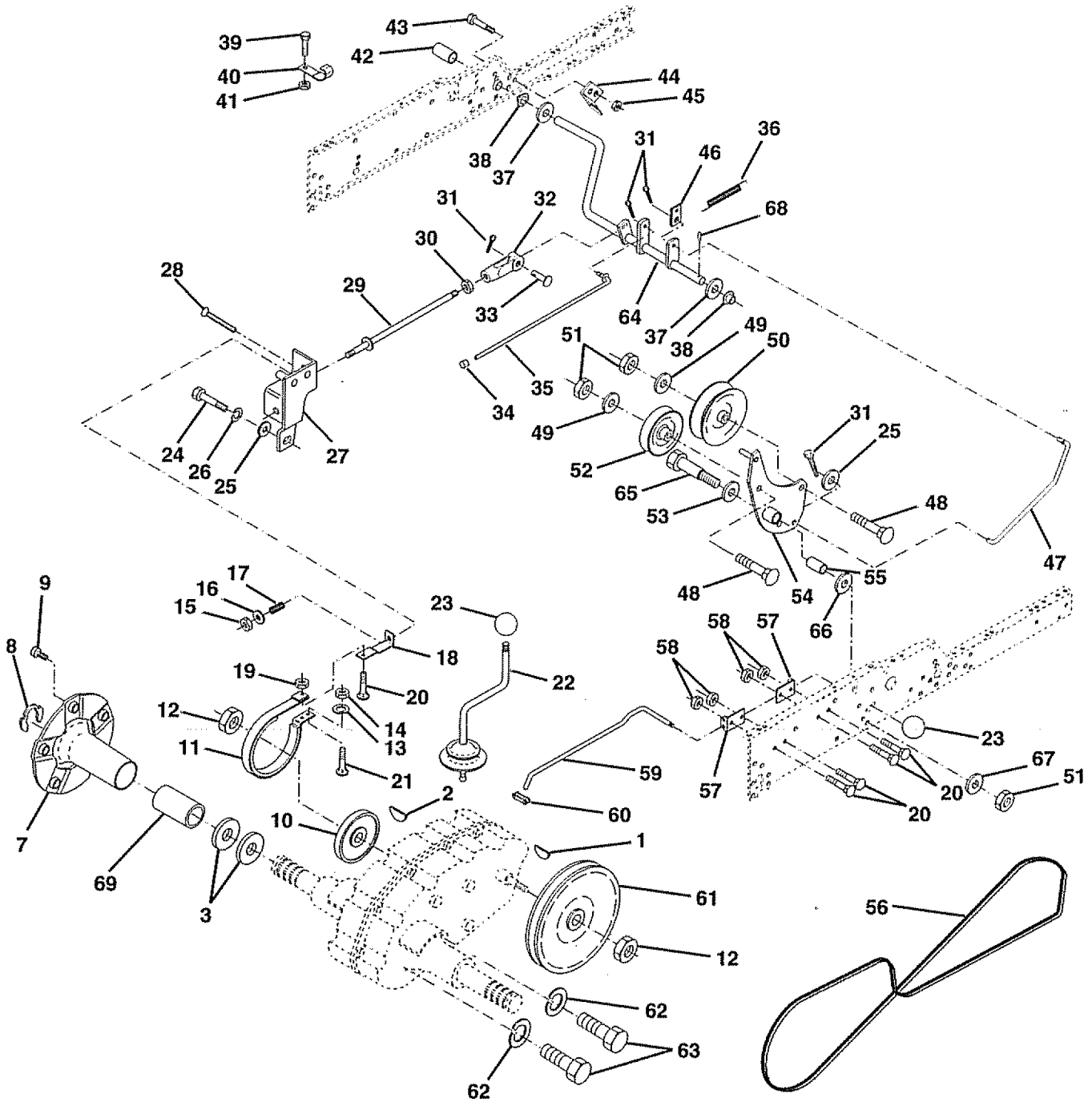
KEY PART NO.	NO.	DESCRIPTION	KEY PART NO.	NO.	DESCRIPTION
1	138597	Rail, Frame RH	45	138460	Bracket Asm., Susp Chassis Rh
2	7982J	Drawbar, Gt	46	10040400	Washer, Lock Hvy Helical 1/4
3	136671X417	Panel Asm., Side LH	47	17490608	Screw, Thdrol 3/8-16 x 1/2
4	73800700	Nut, Lock Hex 7/16 Unc	48	136814	Bracket Asm., Pivot Hood Lh
5	136696	Dash, Plastic Black	49	136813	Bracket Asm., Pivot Hood Rh
6	137251	Dash Asm., Lower	50	136575	Bracket, Chassis Front
7	17720408	Screw, Thd Cut 1/4-20 x 1/2	51	72140506	Bolt, Carriage 5/16-18 x 3/4
8	137563	Support, Battery	52	73800500	Locknut, Hex W/Ins 5/16-18 Unc
9	108067X	Nut, Pal	53	137304	Rod, Support Hood
10	19092016	Washer 9/32 x 1-1/4 x 16 Ga.	54	126490X	Clip, Insulated
11	137270	Rivet, Ratchet Male	56	138461	Bracket Asm., Susp Chassis Lh
12	137269	Washer, Nylon	57	73510400	Nut, Keps Hex 1/4-20
13	137271	Rivet, Ratchet Female	58	137113	Bracket Asm., Fender
14	136673X417	Hood Asm., Pnt	59	74180412	Screw, Mach Cr 1/4-20 x 3/4
15	136374	Lens, Bar Clear	60	72140610	Bolt, Carriage 3/8-16 x 1-1/4
16	121794X	Cover, Access	62	72110608	Bolt, Carriage 3/8-16 x 1 Gr. 5
17	17490612	Screw, Thdrol 3/8-16 x 3/4	63	19131614	Washer 13/32 x 1 x 14 Ga.
18	136373x440	Grille	64	10040600	Washer, Lock Hvy Hlcl Spr 3/8
19	19131312	Washer 13/32 x 13/16 x 12 Ga.	65	73220600	Nut, Fin Hex 3/8-16 Unc
20	74760616	Bolt, Fin Hex 3/8-16 x 1	66	105466X	Pad, Footrest
21	73800600	Nut, Lock Hex W/Wsh 3/8-16 Unc	67	137157	Guide, Belt T/A
22	136670X417	Panel Asm., Side RH	69	139213	Shield, Heat
23	121045X	Panel, Dash Side RH	70	137159	Guide, Belt Mid Span
24	105464X417	Footrest, RH	72	74180512	Screw, Mach Trhd 5/16-18 x 3/4
25	17490612	Screw, Thdrol 3/8-16 x 3/4	73	74780616	Bolt, Fin Hex 3/8-16 x 1 Gr. 5
26	17490512	Screw, Thdrol 5/16-18 x 3/4	74	123934X	Scale, Indicator Height
27	121046X	Panel, Dash Side LH	75	19112410	Washer 11/32 x 1-1/2 x 10 Ga.
28	105465X417	Footrest, LH	76	10040500	Washer, Lock Hvy Hlcl Spr 5/16
29	138193	Bracket, Support Dash	77	137308	Shield, Front
30	137143X013	Saddle, Silkscr Vgt	78	17720408	Screw, Thd. Cut 1/4-20 x 1/2
31	137556	Brace, Support Steering	79	74780516	Bolt, Fin Hex 5/16-18 x 1
32	136742	Bracket Asm., Frame Pivot Lh	80	123935X	Plug, Hole
33	136741	Bracket Asm., Frame Pivot Rh	81	123933X505	Pointer, Pnt Height Indicator
34	136963	Bracket, Engine Support Rear	82	120529X	Washer, Nylon
35	19111116	Washer 11/32 x 11/16 x 16 Ga.	84	138952	Stop, Over Center Mower
36	74780512	Bolt, Fin Hex 5/16-18 x 3/4	85	120404X	Bracket, Support Transaxle
37	121642X417	Fender, Pnt.	86	74760716	Bolt, Fin Hex 7/16-14 Unc x 1
38	19091216	Washer 9/32 x 3/4 x 16 Ga.	88	10040700	Washer, Lock Hvy Hlcl Spr 7/16
39	136961	Bracket, Axle Front	90	11050600	Washer, Lock External Tooth 3/8
40	136962	Bracket, Support Axle/Engine	91	110893X	Rail, Frame Lh
41	74760408	Bolt, Fin Hex 1/4-20 Unc x 1/2	92	124557X022	Plate, Silkscreen Dash
42	72140608	Bolt, Carriage 3/8-16 x 1	93	17490608	Screw, Thdrol 3/8-16 x 1/2
43	136939	Bracket, Spnsn Front Lh	94	100207K	Clip, Fuel Line
44	136940	Bracket, Spnsn Front Rh	95	105531X	Push Nut, Nylon
			96	8022J	Plug, Hole

NOTE: All component dimensions given in U.S. inches
1 inch = 25.4 mm

REPAIR PARTS

18 HP 44" TRACTOR - MODEL NUMBER 917.255970

GROUND DRIVE



REPAIR PARTS

18 HP 44" TRACTOR - MODEL NUMBER 917.255970

GROUND DRIVE

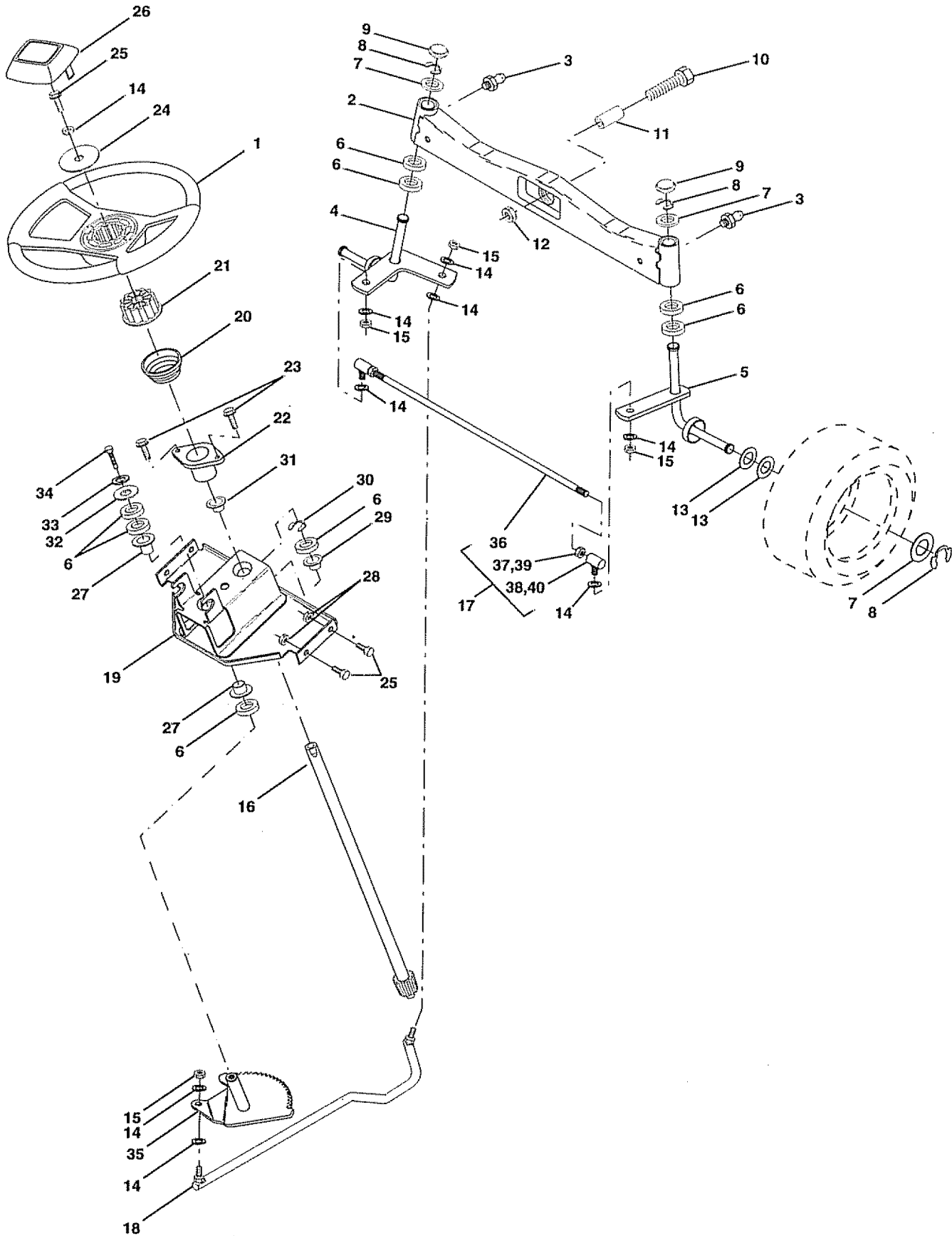
KEY PART NO. NO.	DESCRIPTION	KEY PART NO. NO.	DESCRIPTION		
1	9858M1	Key, Woodruff	37	121749X	Washer 25/32 x 1-1/4 x 16 Gauge
2	2228M	Key, Woodruff	38	110895X	Nyliner
3	7563R	Washer, Thrust, Axle	39	74321016	Screw, Fin. #10-24 x 1
7	135758	Wheel Hub Assembly	40	5304J	Actuator, Interlock Switch
8	12000034	Klip Ring	41	STD541410	Locknut #10-24
9	1304H	Bolt, Hub	42	8883R	Cover, Clutch/Brake Pedal
10	214J	Drum, Brake	43	STD522507	Bolt, Hex 1/4-20 x 3/4
11	101122M	Band, Brake	44	104601X	Bracket, Interlock
12	9204H	Locknut 1/2-20	45	73800400	Locknut, Hex, with Washer Insert 1/4-20
13	STD551125	Washer, Lock 1/4	46	121358X	Retainer, Spring
14	STD541025	Nut, Hex 1/4-20	47	138228	Clutch Rod
15	73530600	Locknut 3/8-24	48	72140614	Bolt, Hex Head 3/8-16 x 1-3/4
16	19131614	Washer 13/32 x 1 x 14 Gauge	49	19131413	Washer 13/32 x 7/8 x 13 Gauge
17	7241J	Spring, Compression	50	131494	Idler, Flat
18	7229J	Guide, Brake Rod	51	73800600	Locknut, Hex 3/8-16
19	1685H	Locknut 5/16-18	52	139123	Idler, Grooved
20	STD533107	Bolt, Carriage 5/18-18 x 3/4	53	207J	Washer, Hardened
21	72140405	Bolt, Carriage 1/4-20 x 5/8	54	138390	Clutch Arm Assembly
22	633A109	Gearshift Lever Assembly	55	105706X	Bearing, Idler
23	106932X	Knob	56	137153	V-Belt
24	74760614	Bolt, Hex Head 3/8-16 x 7/8	57	105598X	Bracket, Shift Rod, Hi-Lo
25	19131316	Washer 13/32 x 13/16 x 16 Gauge	58	73800500	Locknut, Hex, with Washer Insert 5/16-18
26	STD551137	Washer, Lock 3/8	59	122253X	Shift Rod, Hi-Lo
27	677A637	Bracket, Brake	60	122268X	Spring Clip, Connecting Link
28	74370612	Screw, Machine, Flat Head 3/8-16 x 3/4	61	137524	Pulley, Transaxle
29	5308J	Brake Rod	62	STD551143	Washer, Lock 7/16
30	73610600	Nut, Hex 3/8-24	63	74760720	Bolt, Hex Head 7/16-14 x 1-1/4
31	STD560907	Pin, Cotter 3/32 x 3/4	64	104375X	Shaft, Clutch/Brake Pedal
32	100604K	Yoke	65	67609	Bolt, Shoulder
33	5102J	Pin, Clevis	66	129962	Washer, Hardened
34	124236X	Cap, Plunger	67	19131312	Washer Flat
35	137255	Rod, Parking Brake	68	5142H	Pin, Roll
36	138364	Spring, Extension, Clutch	69	136327	Hub, Cover

NOTE: All component dimensions given in U.S. inches
1 inch = 25.4 mm

REPAIR PARTS

18 HP 44" TRACTOR - MODEL NUMBER 917.255970

STEERING ASSEMBLY



REPAIR PARTS

18 HP 44" TRACTOR - MODEL NUMBER 917.255970

STEERING ASSEMBLY

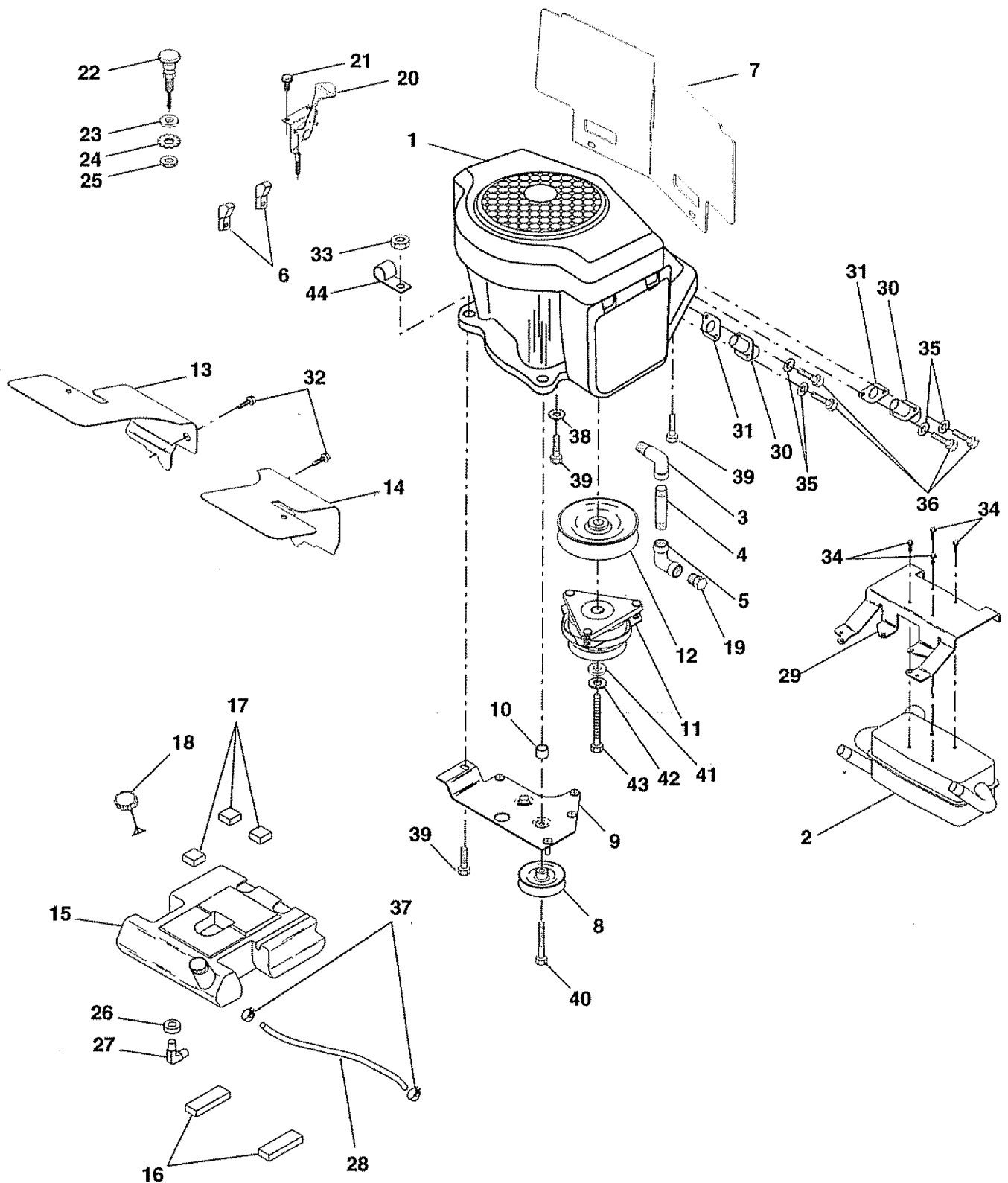
KEY PART NO.	NO.	DESCRIPTION
1	133741	Wheel, Steering
2	674A243	Axle Asm., Front
3	6855M	Fitting, Grease
4	136960	Spindle Asm, LH
5	136959	Spindle Asm., RH
6	6266H	Bearing, Race Thrust Harden
7	121748X	Washer 25/32 x 1-5/8 x 16 Ga.
8	12000029	Ring, Klip #T5304-75
9	121232X	Cap, Spindle
10	74781044	Bolt, Fin Hex 5/8-11 x 2-3/4
11	136518	Spacer, Brg. Axle Front
12	73901000	Nut, Lock Flange 5/8-11 Unc
13	121749X	Washer 25/32 x 1-1/4 x 16 Ga.
14	10040600	Washer, Lock Hvy Hlcl Spr 3/8
15	73610600	Nut, Fin Hex 3/8-24 Unf
16	102458X	Shaft Asm., Steering
17	137347	Rod Asm., Tie Ball J Ball Vgt (Inc. Key No. 36-40)
18	137155	Draglink, Ball Joint Solid Vgt
19	138053	Support Asm., Steering Vgt
20	121050X	Column, Steering
21	100711L	Adapter, Wheel Steering
22	1554J	Bushing, Strg. Blk
23	17431008	Screw, Slftp #10-16 x 1/2 Ty-b
24	19133808	Washer 13/32 x 2-3/8 x 8 Ga.
25	74780616	Bolt, Fin Hex 3/8-16 x 1 Gr. 5
26	133742	Cap, Wheel Steering
27	3366R	Bearing, Col. Strg.
28	73800600	Nut, Lock Hex W/Wsh 3/8-16 Unc
29	104239X	Bearing, Flange
30	12000034	Ring, Klip Truarc #5304-75
31	138136	Bushing, Nyliner Snap
32	19111610	Washer 11/32 x 1 x 10 Ga.
33	10040500	Washer, Lock Hvy Hlcl Spr 5/16
34	74760512	Bolt, Hex Hd 5/16-18 x 3/4
35	138059	Gear, Sector Steering
36	137156	Tie Rod
37	73360600	Jam Nut RH Thread
38	109850X	Joint Asm. Ball RH Thread
39	73700600	Jam Nut LH Thread
40	109851X	Joint Asm. Ball LH Thread

NOTE: All component dimensions given in U.S. inches
1 inch = 25.4 mm

REPAIR PARTS

18 HP 44" TRACTOR - MODEL NUMBER 917.255970

ENGINE



REPAIR PARTS

18 HP 44" TRACTOR - MODEL NUMBER 917.255970

ENGINE

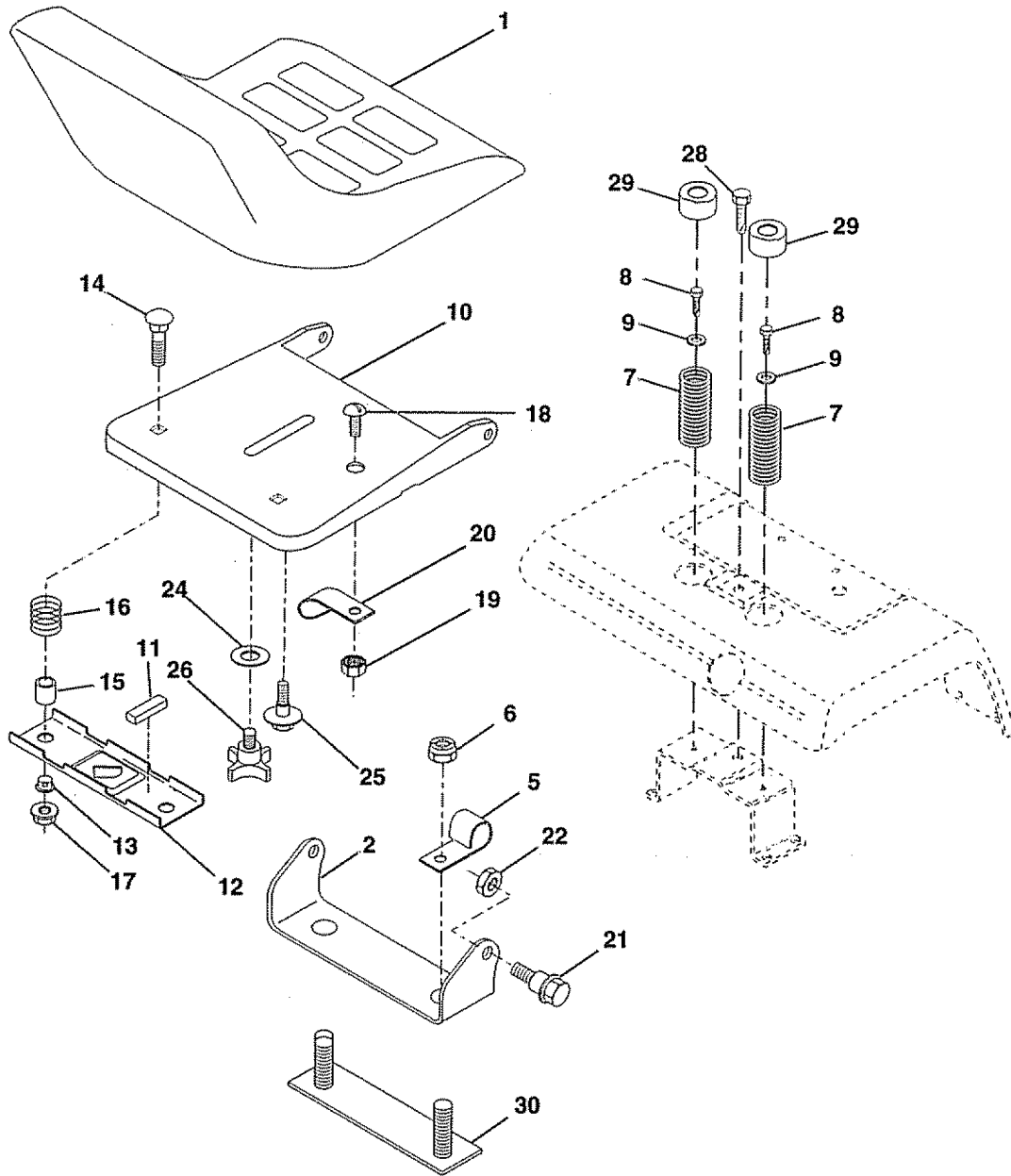
KEY PART NO. NO.	DESCRIPTION	KEY PART NO. NO.	DESCRIPTION
1 138161	Engine B7S 18 IC Gold Vert	24 11050600	Washer Ext Tooth 3/8
2 139217	Muffler Asm Briggs (Inc. Key No. 29 & 34)	25 73610600	Nut Fin Hex 3/8 - 24 UNF
3 13240300	Elbow Street 3/8 NPT	26 3645J	Bushing
4 13280328	Nipple Pipe 3/8NPT X 3 - 1/2	27 139227	Stem Tank Fuel
5 13200300	Elbow STD 90 Degree 3/8 - 18 NPT	28 7834R	Fuel Line
6 138129	Clamp Tube Double Engine	29 139364	Muffler Mounting Brkt
7 139211	Baffle Engine B&S VGT	30 139365	Port Liner
8 121361X	Pulley V-Idler	31 139367	Gasket
9 138559	Stop Keeper Asm VGT	32 17490508	Screw Thdrol 5/16 - 18 X 1/2
10 105432X	Bushing	33 73800600	Nut Lock Hex W/Wash 3/8 - 16 UNC
11 137140	Clutch Electric	34 17190408	Screw Hex Whs Thd Cut 1.4 - 20 UNC
12 136907	Pulley Engine VGT Elect Clutch	35 10040500	Washer Lock 5/16
13 138486	Baffle Air LH Koh VGT	36 74570512	Screw Hex 5/16 - 16 UNC X 3/4
14 138487	Baffle Air RH Koh VGT	37 123487X	Clamp Hose
15 127334X	Tank Fuel W/Sym Vented	38 11050600	Lockwasher Ext Tooth 3/8
16 109227X	Pad Spacer	39 17490624	Screw Thdrol 3/8 - 16 X 1 - 1/2 TT
17 106082X	Pad Spacer	40 17490652	Screw Thdrol 3/8 - 16 X 3 - 1/4
18 123549X	Cap Asm Fuel W/Sym Vented	41 126197X	Washer 1 - 1/2 OD X 15/32 ID X .250
19 13290300	Plug Oil Drain (Order From Engine Manufacturer)	42 10040700	Washer Lock 7/16
20 133439	Control Throttle	43 71170768	Bolt Hex 7/16 - 20 X 4 - 1/4 Ga 5
21 17720410	Screw Hex Thd Cut 1/4 - 20 X 5/8	44 2751R	Clip Fuel Line
22 132779	Control Choke		
23 19132616	Washer 13/32 X 1 - 5/8 X 16 Ga		

NOTE: All component dimensions given in U.S. inches
1 inch = 25.4 mm

REPAIR PARTS

18 HP 44" TRACTOR - MODEL NUMBER 917.255970

SEAT ASSEMBLY



KEY PART NO. NO.

KEY PART NO.	NO.	DESCRIPTION
1	127438X	Seat
2	126656X	Bracket, Pivot Seat
5	2751R	Clip, Line Fuel
6	73680600	Nut, Crownlock 3/8-16 Unc
7	124181X	Spring, Seat Cprsn
8	17490508	Screw, Thdrol 5/16-18 X 1/2
9	19131614	Washer 13/32 X 1 X 14 Ga.
10	131451	Pan, Seat
11	121251X	Strip, Foam
12	121246X	Bracket, Mounting Switch
13	121248X	Bushing, Snap
14	72050411	Bolt, Carriage 1/4-20 X 1-3/8
15	134300	Spacer, Split

KEY PART NO. NO.

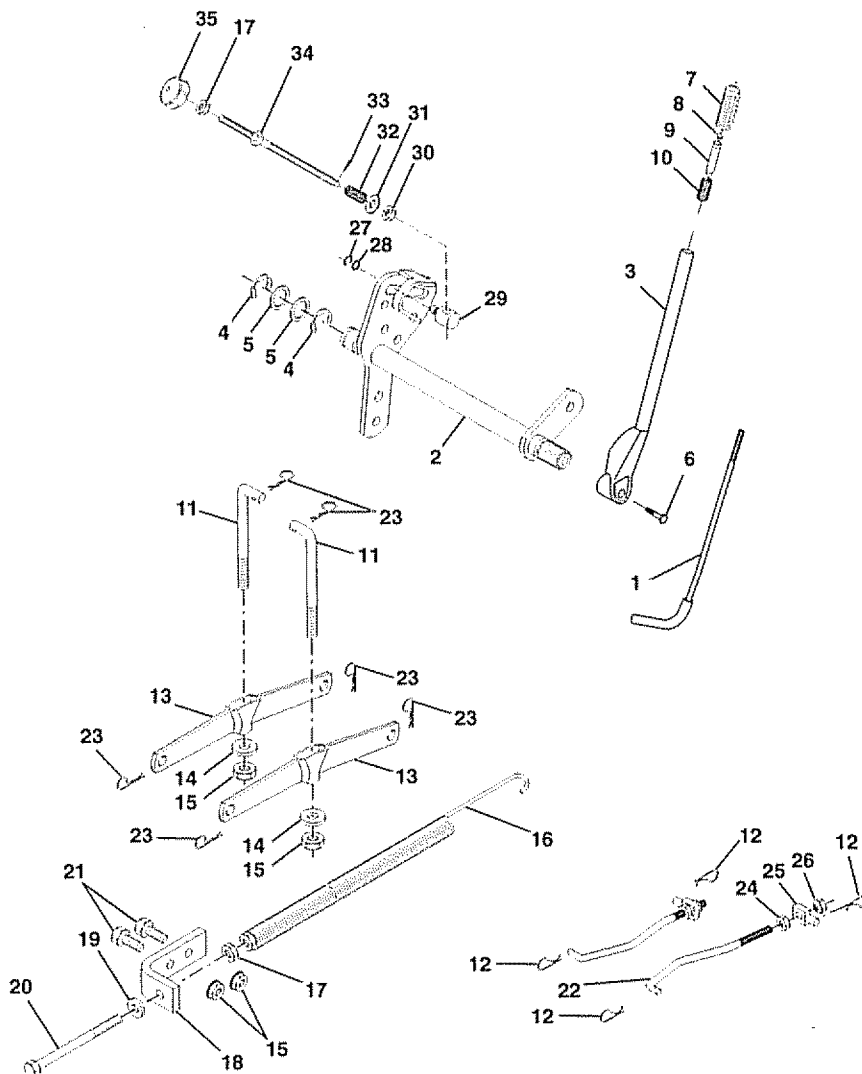
KEY PART NO.	NO.	DESCRIPTION
16	121250X	Spring, Cprsn
17	123976X	Nut, Lock 1/4 Lge Flg Gr. 5
18	74641008	Screw, Sltd Pan Hd #10-32 X 1/2
19	73951000	Nut, Keps #10-32 Unf
20	4171R	Clip, Insulated
21	105529X	Bolt, Shoulder 5/16-18 Unc
22	73680500	Nut, Crownlock 5/16-18 Unc
24	19171912	Washer 17/32 X 1-3/16 X 12 Ga.
25	127018X	Bolt, Shoulder 5/16-18 X .62
26	120068X	Knob, Seat 1/2-13 Unc
28	17490608	Screw, Thdrol 3/8-16 x 1/2
29	124238X	Cap, Spring Seat
30	105511X	Strap, Fender

NOTE: All component dimensions given in U.S. inches
1 inch = 25.4 mm

REPAIR PARTS

18 HP 44" TRACTOR - MODEL NUMBER 917.255970

LIFT ASSEMBLY



KEY PART NO. NO.

DESCRIPTION

1	121006X	Rod Asm., Lever
2	137295	Shaft Asm., Lift Vgt
3	121002X	Lever Asm., Lift Rh
4	12000022	E-Ring Truarc #5133-87
5	19292016	Washer 29/32 x 1-1/4 x 16 Ga.
6	74780624	Bolt, Fin Hex 3/8-16 x 1-1/2
7	125631X	Grip, Handle Fluted
8	122365X	Button, Plunger
9	122364X	Plunger, Lever Lift
10	2876H	Spring 2-1/8"
11	138020	Link Lift
12	3146R	Retainer, Spring
13	138023	Arm, Suspension Vgt
14	19131611	Washer 13/32 x 1 x 11 Ga.
15	73800600	Nut, Lock Hex W/Wsh 3/8-16 Unc
16	674A247	Spring Asm., Assist Lift
17	73350600	Nut, Hex Jam 3/8-16 Unc
18	5329J	Bracket, Spring Assist

KEY PART NO. NO.

DESCRIPTION

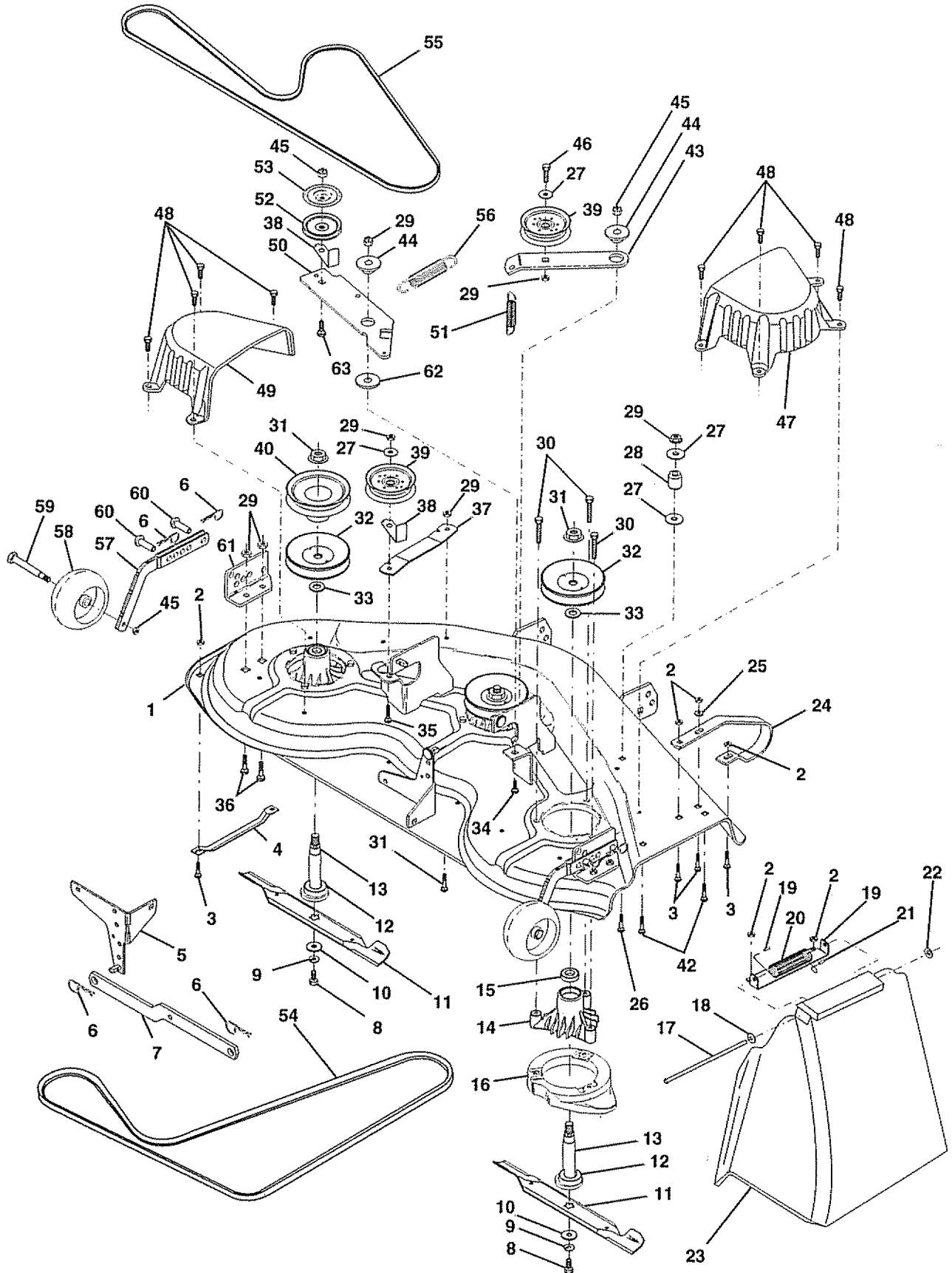
19	19131316	Washer 13/32 x 13/16 x 16 Ga.
20	5328J	Bolt, Adjust Spring Assist
21	74760616	Bolt, Fin Hex 3/8-16 x 1
22	127218	Link, Front
23	4939M	Retainer, Spring
24	73350800	Nut, Jam Hex 1/2-13 Unc
25	130171	Trunnion
26	73800800	Nut, Lock W/Wsh 1/2-13 Unc
27	12000037	Ring, Klip #T5304-37
28	19151216	Washer 15/32 x 3/4 x 16 Ga.
29	110810X	Trunnion, Dp Stop Dbl Thds Plt
30	110807X	Nut, Special
31	19131016	Washer 13/32 x 5/8 x 16 Ga.
32	137150	Spring, Compression Inf Hgt
33	76020308	Pin, Cotter 3/32 x 1/2
34	137167	Rod, Adj Lift
35	138057	Knob, Inf 3/8-16 Unc

NOTE: All component dimensions given in U.S. inches
1 inch = 25.4 mm

REPAIR PARTS

18 HP 44" TRACTOR - MODEL NUMBER 917.255970

44" MOWER DECK



REPAIR PARTS

18 HP 44" TRACTOR - MODEL NUMBER 917.255970

44" MOWER DECK

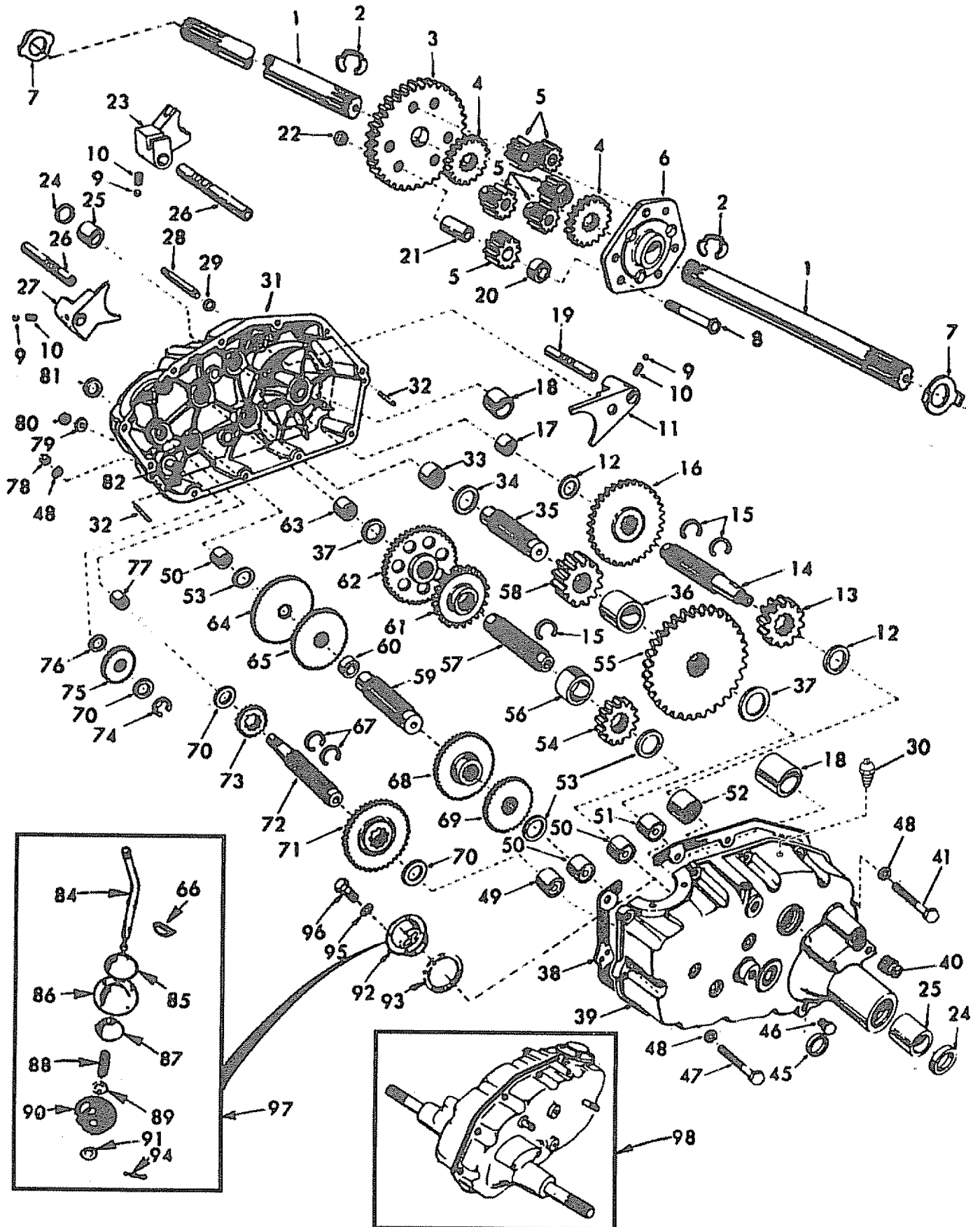
KEY PART NO.	NO.	DESCRIPTION	KEY PART NO.	NO.	DESCRIPTION
1	136471	Deck Asm., Mower 44" Vented	33	129963	Washer, Spacer Mower Vented
2	73800500	Locknut, Hex W/Ins 5/16-18 Unc	34	72140610	Bolt, Carriage 3/8-16 x 1-1/4
3	72110506	Bolt, Carriage 5/16-18 x 3/4	35	72110616	Bolt, Carriage 3/8-16 x 2
4	7631J	Runner, Mower LH	36	72110608	Bolt, Carriage 3/8-16 x 1 Gr. 5
5	138457	Bracket Asm., Sway Bar	37	137166	Stiffener, Arm Idler
6	4939M	Retainer, Spring	38	137554	Keeper, Belt Idler
7	130832	Arm Suspension, Rear	39	131494	Pulley, Idler Flat
8	850857	Bolt 3/8-24 x 1.25 Gr. 8 Patched	40	136572	Pulley, Driven
9	10030600	Washer, Lock Hvy 3/8 Unplated	42	72140506	Bolt, Carriage 5/16-18 Unc x 3/4
10	129962	Washer, Hard Blade Mower Vented	43	136460	Arm, Idler Secondary
11	130652	Blade	44	122052X	Spacer, Retainer
12	129895	Bearing, Ball #6204 (Mandrel)	45	73680600	Nut, Crownlock 3/8-16 Unc
13	137553	Shaft Asm., W/Lower Brg (Includes Key No. 12)	46	74760628	Bolt, Fin Hex 3/8-16 Unc x 1-3/4
14	137152	Housing, Mandrel 44" Vent	47	137200	Cover, Mandrel RH
15	110485X	Bearing, Ball Mandrel	48	137729	Screw, Thd Roll 1/4-20 x 5/8
16	136929	Stripper, Mower Vented	49	136574	Cover, Mandrel LH
17	106735X	Rod, Hinge	50	137272	Arm, Idler Primary
18	19111016	Washer 11/32 x 5/8 x 16 Ga.	51	137273	Spring, Secondary
19	105304X	Cap, Sleeve	52	139245	Pulley, Idler V Groove
20	123713X	Spring, Torsion Deflector	53	137789	Shield, Idler
21	137607	Bracket, Deflector	54	131264	V-Belt, Mower Primary
22	110452X	Nut, Push	55	131290	V-Belt, Mower Secondary
23	109785X	Shield, Deflector Mower	56	138687	Spring, Primary
24	136321	Runner, RH	57	136577	Bar Asm., Wheel Gauge
25	19111216	Washer 11/32 x 3/4 x 16 Ga.	58	133957	Wheel, Gauge
26	72110614	Bolt, Carriage 3/8-16 x 1-3/4 Gr. 5	59	137644	Bolt, Shoulder
27	19131316	Washer 13/32 x 13/16 x 16 Ga.	60	139031	Pin, Clevis
28	132823	Spacer, Spring Stop Idler	61	136573	Bracket, Wheel Gauge
29	73800600	Nut, Lock Hex W/Wsh 3/8-16 Unc	62	133943	Washer Hardened
30	78158	Bolt 5/16-18 x 1.25	63	72110612	Bolt, Carriage 3/8-16 x 1-1/2
31	137266	Nut, Flg Top Lock Cntr 9/16			
32	129861	Pulley, Mandrel			

NOTE: All component dimensions given in U.S. inches
1 inch = 25.4 mm

REPAIR PARTS

18 HP 44" TRACTOR - MODEL NUMBER 917.255970

TRANSAXLE



REPAIR PARTS

18 HP 44" TRACTOR - MODEL NUMBER 917.255970

TRANSAXLE

KEY PART NO.	NO.	DESCRIPTION	KEY PART NO.	NO.	DESCRIPTION
1	4197R	Axle Shaft	51	1529R	Needle Bearing
2	12000034	Retaining Ring	52	8119M	Needle Bearing
3	4199R	Final Drive Gear	53	4220R	Thrust Bearing Race
4	4216R	Differential Gear	54	4209R	3rd Reduction Pinion, Low
5	4215R	Differential Pinion	55	4213R	4th Reduction Gear
6	4217R	Differential Carrier	56	4442R	3rd Reduction Pinion Spacer
7	6256H	Axle Thrust Washer	57	4195R	2nd Reduction Gear Shaft
8	74020652	Bolt, Hex Head 3/8-24 x 3-1/4 (1" Thread Length)	58	4214R	Final Drive Pinion
9	7392M	Steel Ball	59	4194R	1st Reduction Gear Shaft
10	137261	Spring Shift Fork Detent	60	7528R	1st Reduction Shaft Spacer
11	4985R	Shift Fork, High-Low Range	61	4208R	3rd Reduction Pinion High
12	6266H	Thrust Bearing Race	62	4207R	2nd Reduction Gear
13	4212R	4th Reduction Pinion	63	7398H	Needle Bearing
14	4196R	3rd Reduction Gear Shaft	64	4203R	Low Speed Gear and 2nd Reduction Pinion Cluster
15	6276H	Snap Ring, Crescent Type	65	4204R	Reverse Gear
16	633A63	High-Low Range Gears	66	2898J	Key, Hi-Pro 1/8 x 17/32
17	8118M	Needle Bearing	67	4926H	Snap Ring, Crescent Type
18	8740H1	Sintered Iron Bearing	68	4205R	Intermediate Speed Gear
19	122238X	Shift Fork Shaft, High-Low Range	69	4206R	High Speed Gear
20	4218R	Differential Pinion Spacer	70	1370H	Thrust Bearing Race
21	6252H1	Differential Pinion Bushing	71	633A69	Intermediate and High Speed Cluster Pinions
22	7810H	Gripco Centerlock Nut 3/8-24	72	208J	Input Shaft
23	6262H	Shift Fork, R.H.	73	4201R	Low Speed Pinion
24	7393R	Oil Seal	74	12000002	E-Ring
25	992R1	Sintered Iron Bearing	75	1153R	Reverse Idler Gear
26	6216H	Shift Fork Shaft	76	7392H	Reverse Idler Thrust Washer
27	4986R	Shift Fork, L.H.	77	3990H	Needle Bearing
28	122254X	Shift Shaft, High-Low Range	78	73220500	Nut, Hex 5/16-18
29	6269H	Oil Seal	79	1167R	Sealing Washer
30	5855H	Pressure Relief Valve	80	73360700	Nut, Hex, Jam 7/16-20
31	137976	Gearcase, Reverse Idler Shaft and Bearings, R.H. (Includes Key No.'s 17, 18, 25, 33, 50, 63, 76, 77 & 82)	81	6270H	Oil Seal
32	6277H	Dowel Pin	82	7384H	Reverse Idler Shaft
33	4225R	Needle Bearing	84	5384J	Gearshift Lever, Bent
34	7396H	Thrust Bearing Race	85	2978J	Gearshift Cap
35	4198R	4th Reduction Gear Shaft	86	633A85	Gearshift Ball Cover and Pin
36	4200R	4th Reduction Gear Spacer	87	8739H1	Shift Lever Guide Ball, Keyed
37	7395H	Thrust Bearing Race	88	4924H	Spring
38	121878X	Gearcase Gasket	89	19151516	Washer 15/32 x 15/16 x 16 Gauge
39	137974	Gearcase and Bearings, L.H. (Includes Key Numbers 18, 25, 49, 50 (2), 51 and 52)	90	110542X	Shift Mechanism Seal
40	13320400	Pipe Plug 1/2-14 N.P.T.	91	19181511	Washer 9/16 x 15/16 x 12 Gauge
41	74780526	Bolt, Hex 5/16-18 UNC x 1-5/8	92	75J	Gearshift Gate and Reinforcement
45	6271H	Oil Seal	93	6274H	Shift Ball Cover Gasket
46	13060200	Pipe Plug 1/4-18 N.P.T.	94	76020412	Cotter Pin 1/8 x 3/4
47	74780524	Bolt, Hex 5/16-18 x 1-1/2 Grade 5	95	10040500	Washer, Lock 5/16
48	10140500	Washer, Lock, Extra Heavy 5/16	96	74760514	Bolt, Hex Head 5/16-18 UNC x 7/8
49	4895H	Needle Bearing	97	633A109	Gearshift Lever Assembly
50	4222R	Needle Bearing	98	137973	Transaxle Assembly (Less Brake Drum and Shift Lever)

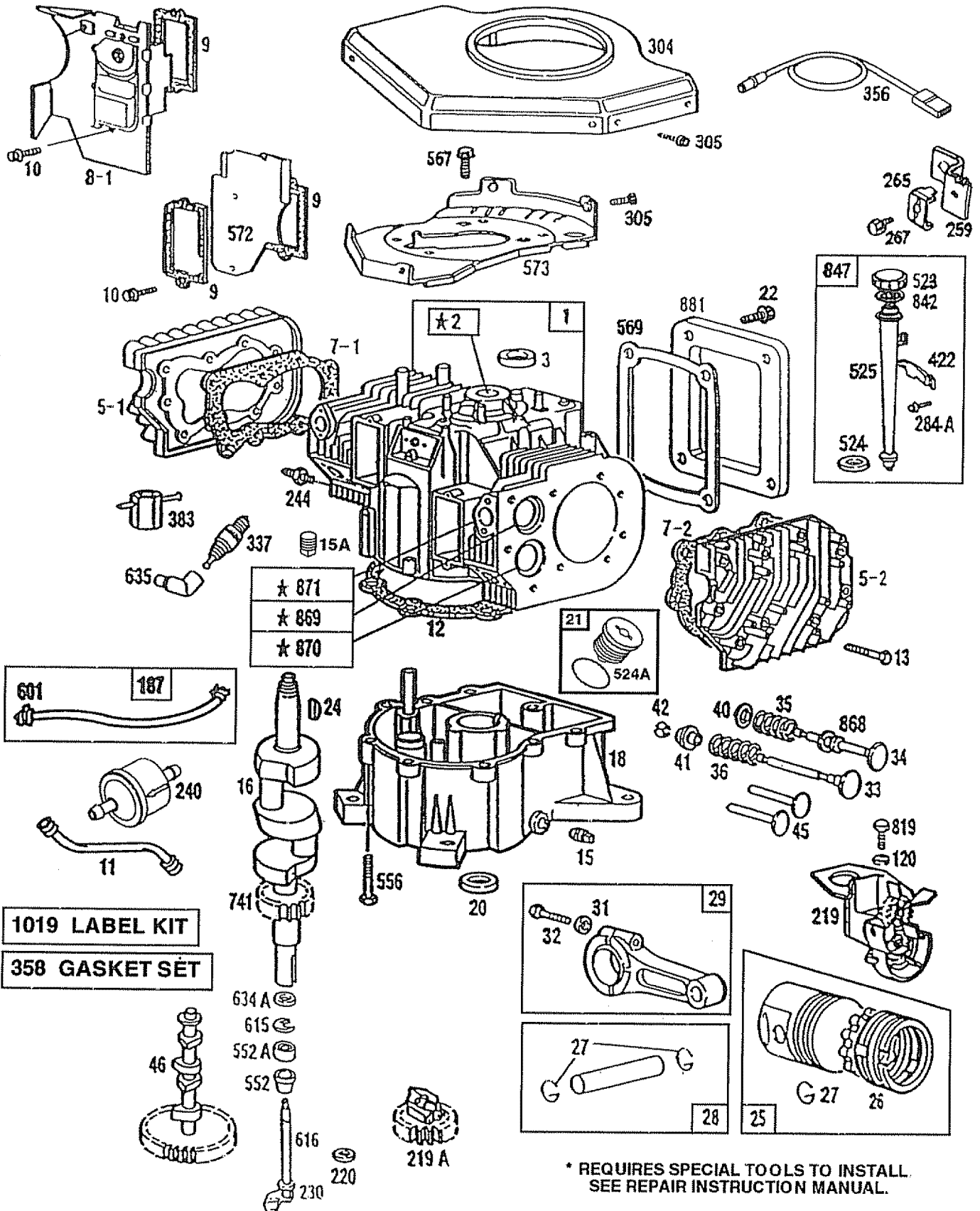
NOTE: All component dimensions given in U.S. inches

1 inch = 25.4 mm

REPAIR PARTS

18 HP 44" TRACTOR - MODEL NUMBER 917.255970

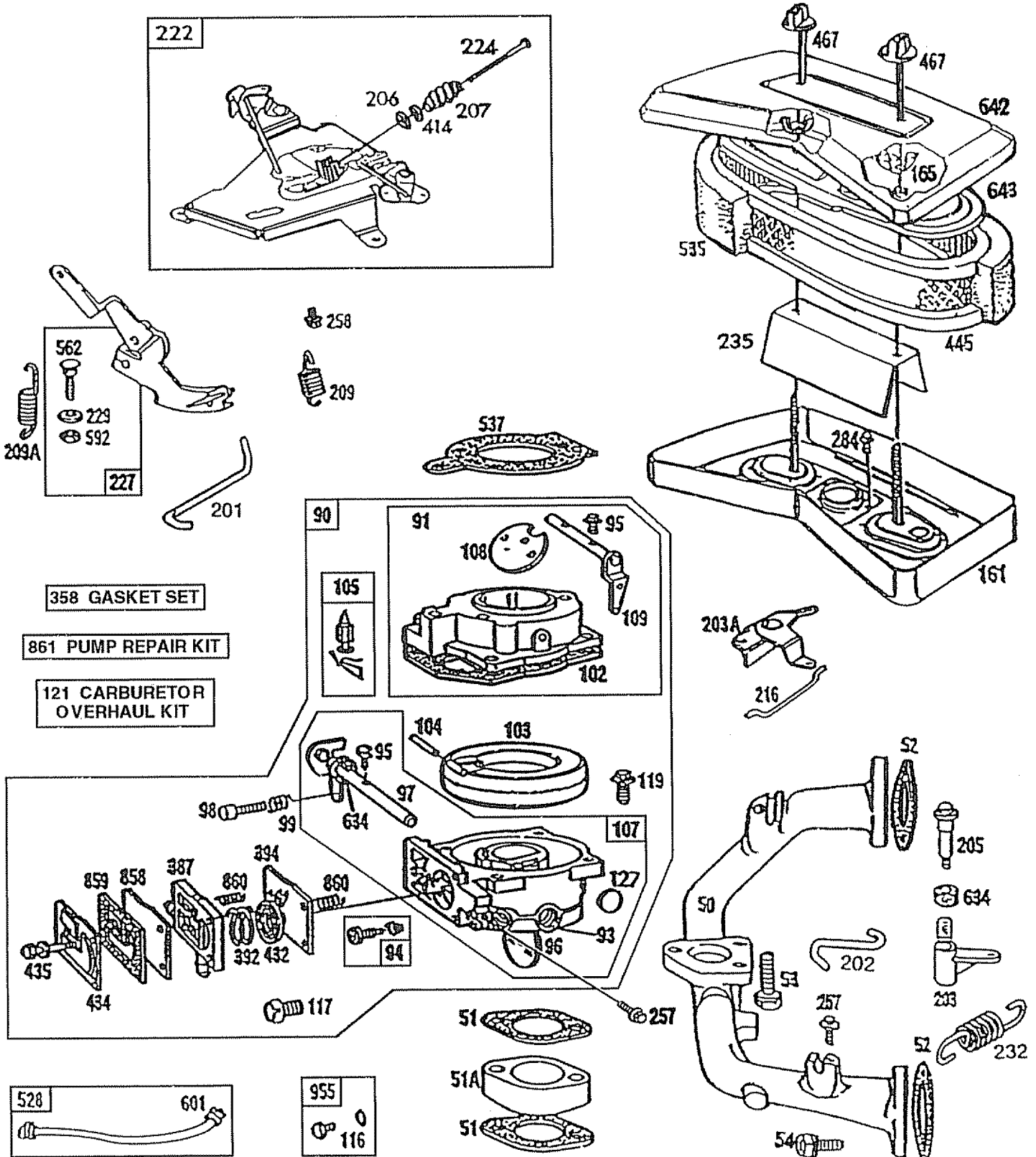
BRIGGS & STRATTON ENGINE - MODEL NUMBER 422707, TYPE NUMBER 1243-01



REPAIR PARTS

18 HP 44" TRACTOR - MODEL NUMBER 917.255970

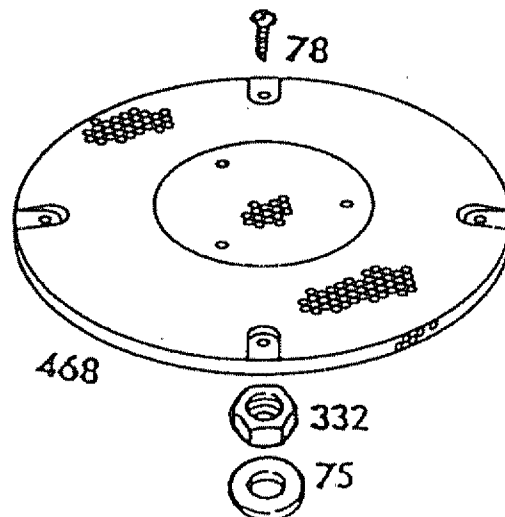
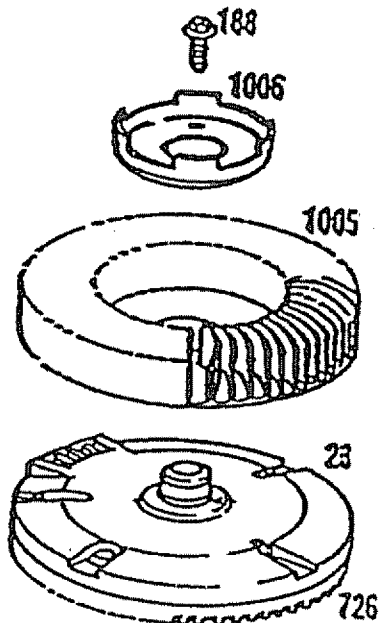
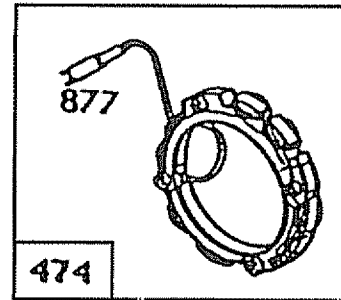
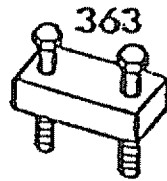
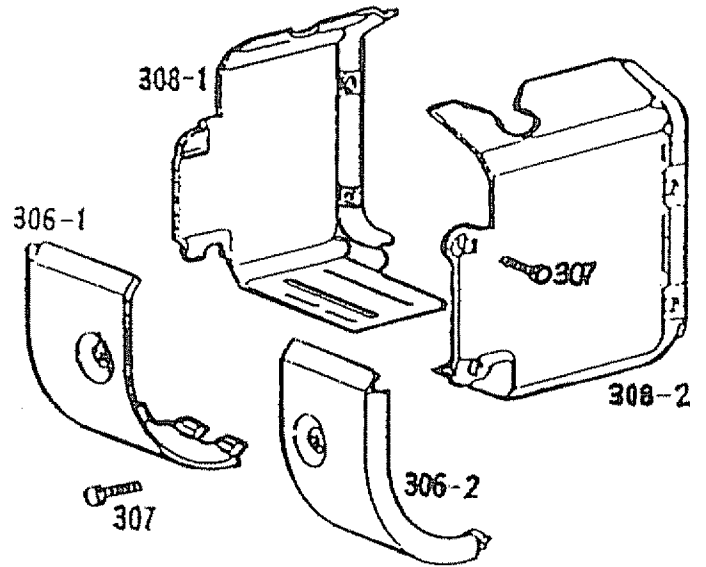
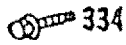
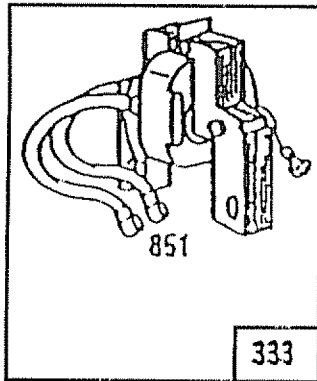
BRIGGS & STRATTON ENGINE - MODEL NUMBER 422707, TYPE NUMBER 1243-01



REPAIR PARTS

18 HP 44" TRACTOR - MODEL NUMBER 917.255970

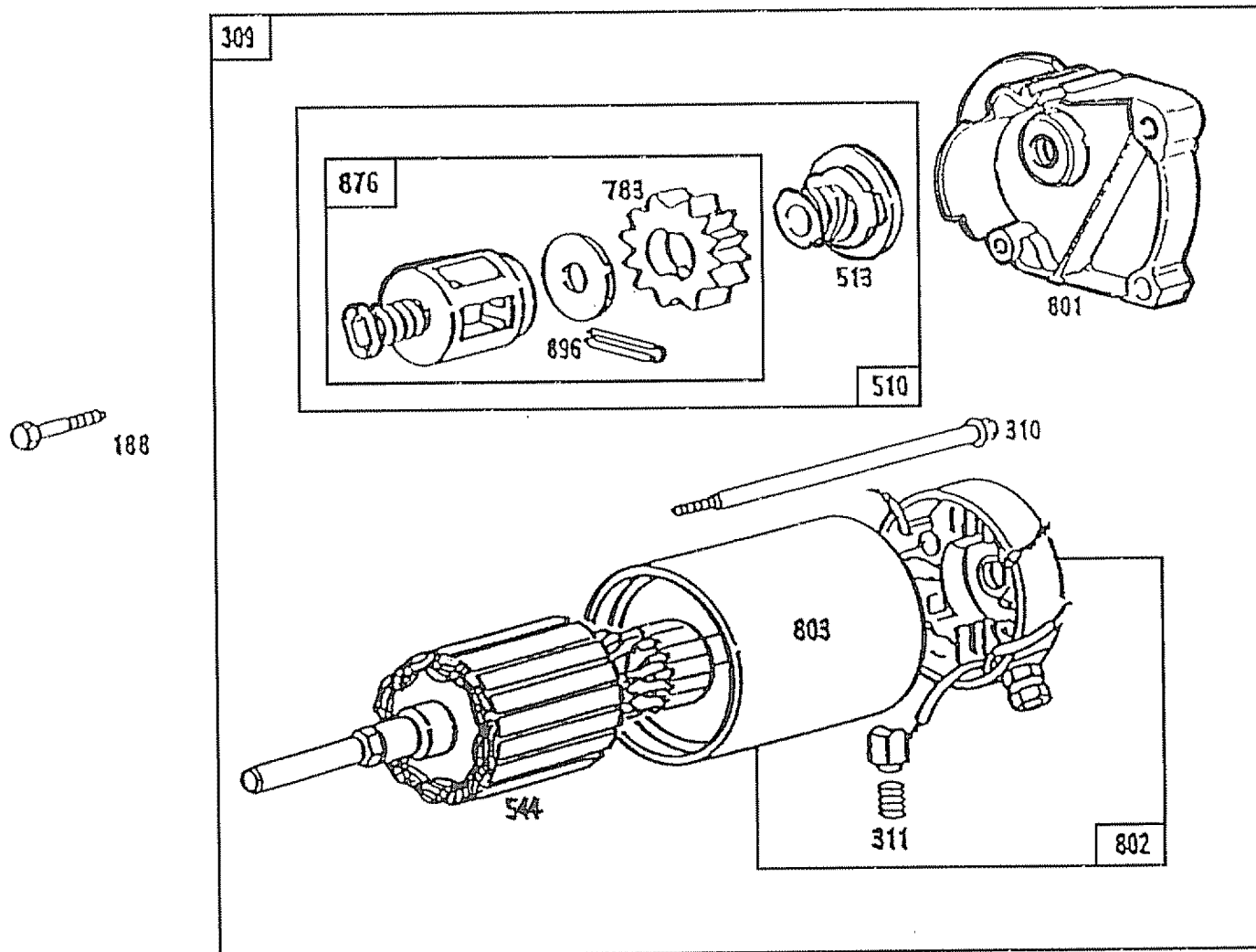
BRIGGS & STRATTON ENGINE - MODEL NUMBER 422707, TYPE NUMBER 1243-01



REPAIR PARTS

18 HP 44" TRACTOR - MODEL NUMBER 917.255970

BRIGGS & STRATTON ENGINE - MODEL NUMBER 422707, TYPE NUMBER 1243-01



Reference Number		309	310	311	544	801	802	803
Manufacturer		Motor and Drive Ass'y.	Thru Bolt Assembly	Brush Assembly	Armature Assembly	Drive End Cap Assembly	End Cap Ass'y. Commutator	Housing Assembly
Briggs & Stratton	Housing Length							
12V	3-5/8"	394808	94003	395538	390837	394860	395537*	398159

*Includes Brush Set

Reference Number	510	513	783	876	896
Starter Motor Mfr.	Starter Drive Group	Clutch Assembly	Gear	Pinion Spring Kit	Roll Pin
Briggs & Stratton					
12V	490421	398003	280104	490467	94288(Copper)

REPAIR PARTS

18 HP 44" TRACTOR - MODEL NUMBER 917.255970

BRIGGS & STRATTON ENGINE - MODEL NUMBER 422707, TYPE NUMBER 1243-01

KEY PART NO. NO.	DESCRIPTION	KEY PART NO. NO.	DESCRIPTION
1 494533	Cylinder Assembly	42 93630	Retainer, Exhaust Valve Rotocoil(2)
2 399265	Bearing, Cylinder	45 261368	Tappet, Valve
3 391086	Seal, Oil	46 213421	Gear, Cam
5-1 493457	Head, Cylinder Number 1	50 213290	Manifold, Intake
5-2 493458	Head, Cylinder Number 2	51 271412	*** Gasket, Carburetor & Intake Elbow
7-1 271867	* Gasket, Cylinder Head Number 1	51A 280319	Spacer, Carburetor
7-2 271868	* Gasket, Cylinder Head Number 2	52 270884	* Gasket, Intake Manifold Mounting
8-1 398065	Breather Assembly Number 1	53 93970	Screw, Sems, Carburetor Mounting
8-2 222892	Cover, Breather, Cylinder Number 2 (Use with Key Number 572, Air Baffle with Mounting Holes)	54 93208	Screw, Sems, Intake Manifold Mnt.
		75 222511	Washer, Spring
9 27803	* Gasket, Valve Cover	78 94326	Screw, Sems
10 94382	Screw, Sems	81 223016	Lock, Muffler Screw
11 280225	Tube, Breather	90 495181	Carburetor Assembly
12 271703	* Gasket, Crankcase Cover 1/64"	91 495035	Body Assembly, Upper Carburetor
271188	* Gasket, Crankcase Cover .005"	93 231209	Bushing, Throttle Shaft
271189	* Gasket, Crankcase Cover .009"	94 491538	** Valve Assembly, Carburetor Idle
13 94565	Screw, Cylinder Head	95 93499	Screw, Sems, Throttle and Choke Valve Mounting
15 94239	Plug, Oil Drain	96 221939	Valve, Throttle
15A 94497	Plug, Pipe	97 392672	Shaft and Lever, Throttle
16 394028	Crankshaft	98 91920	Screw, Machine, Fillister Head
94196	Key, Timing Gear	99 26157	Spring, Throttle Adjustment
18 493304	Base Assembly, Crankcase	102 271607	** Gasket, Carburetor Body
20 291675	Seal, Oil	103 298514	Float, Carburetor
21 399195	Seal Assembly, Cylinder Plug	104 230896	** Pin, Float Hinge
22 90887	Screw, Sems, Crankcase Cover Mounting	105 394683	** Valve, Fuel Inlet
	Uses: 92268 Washer, Lock	107 491543	Body, Lower Carburetor
23 491180	Flywheel and Ring Gear Assembly, Magneto	108 223534	Valve, Choke
24 222698	Key, Flywheel	109 392673	Shaft and Lever, Choke
25 394955	Piston Assembly, Standard	116 280474	O-Ring
394956	Piston Assembly .010" Oversize	117 231338	Jet, Needle Valve
394957	Piston Assembly .020" Oversize	119 94152	Screw, Sems, Hex Head
394958	Piston Assembly .030" Oversize	120 92290	Washer, Lock
26 394959	Ring Set, Piston, Standard	121 491539	Carburetor Overhaul Kit
394960	Ring Set, Piston .010" Oversize	127 223472	Plug, Welch
394961	Ring Set, Piston .020" Oversize	161 398826	Body, Air Cleaner
394962	Ring Set, Piston .030" Oversize	165 94289	Nut, Wing
27 260924	Lock, Piston Pin	187 299146	Line, Fuel, 28" (Cut to Suit)
28 299691	Pin Assembly, Piston, Standard	188 93535	Screw, Hex Head
391286	Pin Assy., Piston .005" Oversize	201 262683	Link, Governor
29 394306	Rod Assembly, Connecting	202 262684	Link, Throttle
397158	Rod Assembly, Connecting, .020" Undersize Crankpin Bore	203 280997	Crank, Bell
31 220863	Washer	203A 490207	Crank, Bell
32 92909	Screw, Connecting Rod	205 93971	Screw, Shoulder
33 390420	Valve, Exhaust	206 94298	Nut, Square
34 261528	Valve, Intake	207 262337	Spring, Compression
	Uses: 393606 Seal Assembly and Retainer (Key Number 868)	209 262352	Spring, Governor
35 65906	Spring, Intake Valve	209A 261563	Spring, Governor Idle
36 26828	Spring, Exhaust Valve		
40 221596	Retainer, Intake Valve		
41 292260	Rotocoil, Exhaust Valve		

* Included in Gasket Set (491856)
 ** Included in Carburetor Overhaul Kit (491539)
 *** Included in both Gasket Set (491856), and
 Carburetor Overhaul Kit (491539)

NOTE: All component dimensions given in U.S. inches
 1 inch = 25.4 mm

REPAIR PARTS

18 HP 44" TRACTOR - MODEL NUMBER 917.255970

BRIGGS & STRATTON ENGINE - MODEL NUMBER 422707, TYPE NUMBER 1243-01

KEY PART NO. NO.	DESCRIPTION	KEY PART NO. NO.	DESCRIPTION
216 262375	Link	524A 271485	Seal, Tube
219 393415	Oil Slinger Assembly	525 495348	Tube, Oil Filler
219A 394348	Gear, Governor	528 393815	Impulse Line and Clamp Assembly
220 222773	Washer, Thrust	535 271271	Element, Air Cleaner
222 491282	Plate Assembly, Governor Control	537 271411	*** Gasket, Air Cleaner
224 94297	Screw, Pan Head	552 262332	Lower Bushing, Governor
227 491297	Lever Assembly, Governor	552A 262331	Upper Bushing, Governor
229 62199	Washer	556 93585	Screw, Sems, Hex Head
230 223882	Washer, Governor Crank, Inside	562 93853	Bolt, Governor Lever
232 262539	Spring, Governor Control	567 93777	Screw, Hex Head, Back Plate to Cylinder
235 224039	Shield, Spitback	569 270981	* Gasket, Crankcase
240 493629	Filter, Fuel (In Fuel Line to Tank)	572 224580	Baffle, Air, Cylinder Number 2
244 230318	Connector, Impulse Pump	573 491304	Back Plate Assembly
257 93897	Screw, Sems	592 92278	Nut, Hex
258 93949	Screw, Sems	601 93053	Clamp, Fuel Line
259 223890	Bracket, Cable	615 94296	Retainer, E-Ring
265 221535	Clamp, Casing	616 491530	Crank, Governor
267 93496	Screw, Hex Head	634 271013	** Washer, Throtte Shaft
284 94264	Screw, Hex Head	634A 491287	Seal, Governor Shaft
284A 93469	Housing, Blower	635 66538	Elbow, Spark Plug
304 492656	Screw, Sems 1/2	642 223579	Cover, Air Cleaner
305 94608	Screw, Sems 3/4	643 223714	Cartridge Plate, Air Cleaner
306-1 222846	Shield, Cylinder	726 391362	Gear, Flywheel Ring (Includes Mounting Parts)
306-2 223734	Shield, Cylinder	741 262694	Gear, Timing
307 94386	Screw, Sems	819 94675	Screw, Hex Head
308-1 222848	Cover, Air Guide	842 271170	Seal, Oil Filler Cap
308-2 222849	Cover, Air Guide	847 394394	Dipstick and Tube Assembly
309 - - -	Motor, Starting (See Chart on Illustrated Pages for Part Numbers)	851 221798	Terminal, Ignition Cable
319 394988	Armature Assembly	858 270989	**** Diaphragm, Damping
332 230674	Nut, Hex	859 271025	**** Gasket, Carburetor Pump
333 394891	Armature Group, MAGNETRON® Ignition	860 261358	**** Spring (2)
334 93381	Screw, Sems, Armature Mounting	861 393397	Repair Kit, Pump
337 802592	Plug, Spark, Resistor (with Gasket)	868 393606	Seal Assembly and Retainer
356 494705	Wire, Ground	869 261463	Seat, Intake Valve, Standard
358 491856	Gasket Set	870 213316	Seat, Exhaust Valve, Standard
363 19203	Puller, Flywheel (Optional Accy.)	871 261961	Guide, Exhaust Valve
383 89838	Wrench, Spark Plug	231218	Guide, Intake Valve (See Manual)
387 280197	Body, Pump	877 393537	Connector Assembly, Tri-Circuit
392 261395	**** Spring, Pump	881 212455	Cover Plate, Crankcase
394 270988	**** Diaphragm	955 397882	Plug and Seal, Solenoid
414 223882	Washer	1005 280815	Fan, Flywheel
422 222875	Clamp, Oil Filler	1006 224413	Retainer, Fan
432 221377	**** Cap, Spring	1019 491262	Decal Kit
434 223688	Cover, Diaphragm		
435 93829	Screw, Diaphragm Cover		
445 394019	Cartridge, Air Cleaner		
467 493903	Knob, Air Cleaner		
468 224521	Screen, Flush Rotating		
474 392595	Stator, Alternator, Tri-Circuit		
482 93621	Screw, Sems		
523 494927	Cap and Dipstick, Oil Filler		
524 271157	Seal, Filler Tube		

- * Included in Gasket Set (491856)
- ** Included in Carburetor Overhaul Kit (491539)
- *** Included in both Gasket Set (491856), and Carburetor Overhaul Kit (491539)
- **** Included in both Carburetor Overhaul Kit (491539), and Pump Repair Kit (393397)

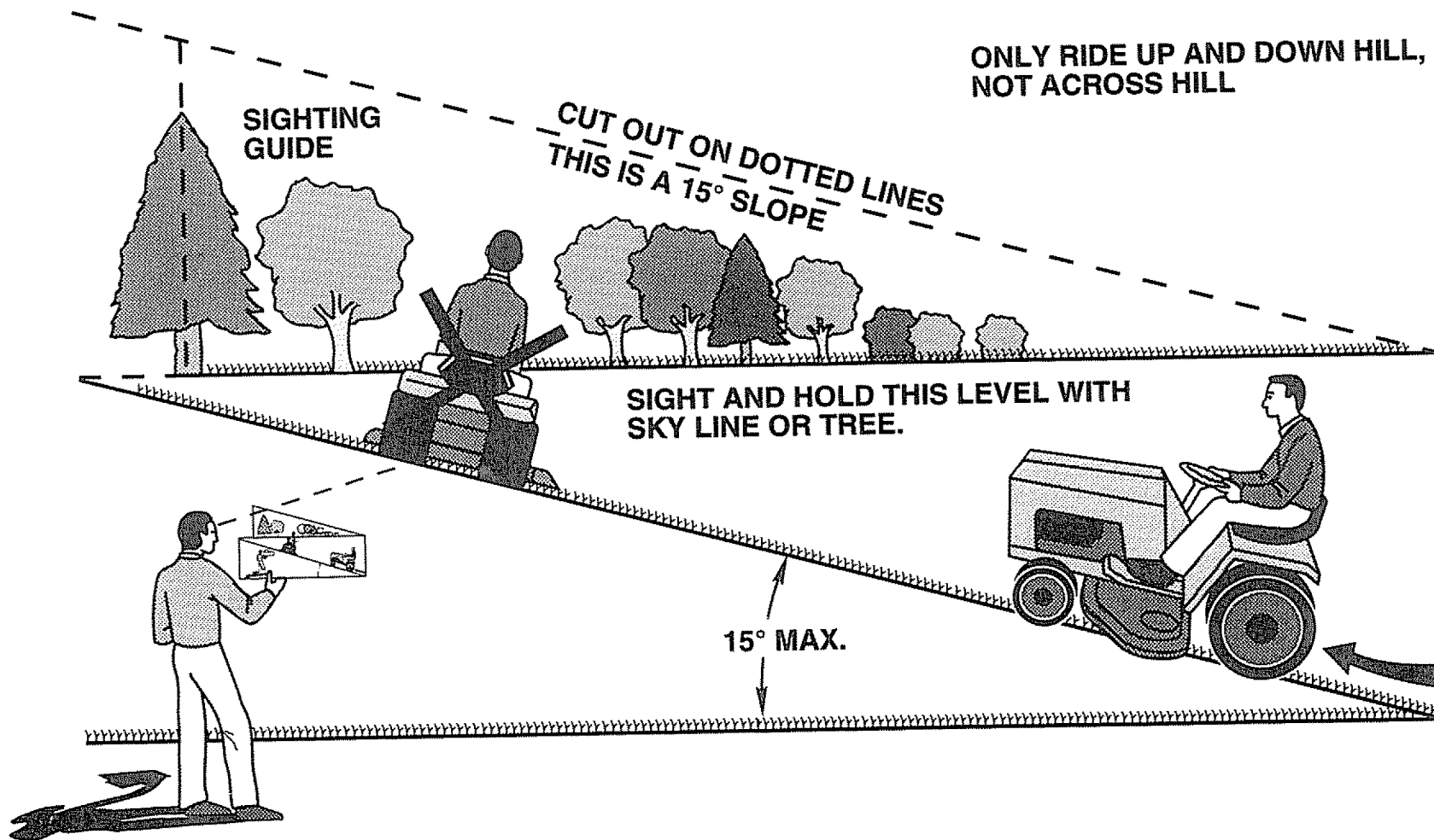
NOTE: All component dimensions given in U.S. inches
1 inch = 25.4 mm

RPM Settings: Low 1200-1600
High 3200-3400

SERVICE NOTES

SUGGESTED GUIDE FOR SIGHTING SLOPES FOR SAFE OPERATION

55



Operate your Tractor up and down the face of slopes (not greater than 15°), never across the face. Make turns gradually to prevent tipping or loss of control. Exercise extreme caution when changing direction on slopes.

SEARS

**OWNER'S
MANUAL**

**MODEL NO.
917.255970**

**HOW TO ORDER
REPAIR PARTS**

CRAFTSMAN®

**18.0 HP TWIN CYLINDER
ELECTRIC START
44" MOWER
6 SPEED TRANSAXLE
GARDEN TRACTOR**

Each tractor has its own model number. Each engine has its own model number.

The model number for your tractor will be found on the model plate located under the seat.

The model number for your engine will be found on the blower housing of the engine.

All parts listed herein may be ordered from any Sears, Roebuck and Co. Service Center/Department and most Retail Stores.

**WHEN ORDERING REPAIR PARTS, ALWAYS GIVE THE
FOLLOWING INFORMATION:**

- **PRODUCT - GARDEN TRACTOR**
- **MODEL NUMBER - 917.255970**
- **ENGINE MODEL NO. 422707, TYPE NO. 1243-01**
- **PART NUMBER**
- **PART DESCRIPTION**

Your Sears merchandise has added value when you consider Sears has service units nationwide staffed with Sears trained technicians... professional technicians specifically trained to insure that we meet our pledge to you, we service what we sell.

Free Manuals Download Website

<http://myh66.com>

<http://usermanuals.us>

<http://www.somanuals.com>

<http://www.4manuals.cc>

<http://www.manual-lib.com>

<http://www.404manual.com>

<http://www.luxmanual.com>

<http://aubethermostatmanual.com>

Golf course search by state

<http://golfingnear.com>

Email search by domain

<http://emailbydomain.com>

Auto manuals search

<http://auto.somanuals.com>

TV manuals search

<http://tv.somanuals.com>