

IMPORTANT - PLEASE KEEP FOR THE USE OF THE LOCAL ELECTRICAL INSPECTOR

INSTALLATION INSTRUCTIONS

24" Wall Oven (22" Wide Cutout) Electric Built-in Single Cavity Wall Ovens

READ "SAFETY INSTRUCTIONS" IN USE & CARE BOOK BEFORE USING OVEN

In order to assure the best results in service, proper operation and maximum efficiency, the original installation and adjustment should be made by your dealer, his authorized agent, or by your local utility company before you attempt to operate the oven.

LOCATION

Place oven where it will be well lighted. For proper baking and cooking results, oven must be level. Use a spirit level on center oven rack to level. THIS ELECTRIC OVEN IS APPROVED FOR INSTALLATION IN COMBUSTIBLE CABINETY. SEE INSTALLATION DIAGRAM FOR THE OVEN ON THE REVERSE SIDE OF THE INSTRUCTION SHEET.

CAUTION:

Some cabinets and building materials are not designed to withstand the heat produced by the normal safe operation of a listed appliance. Discoloration or damage, such as delamination, may occur.

OUTSIDE WIRING

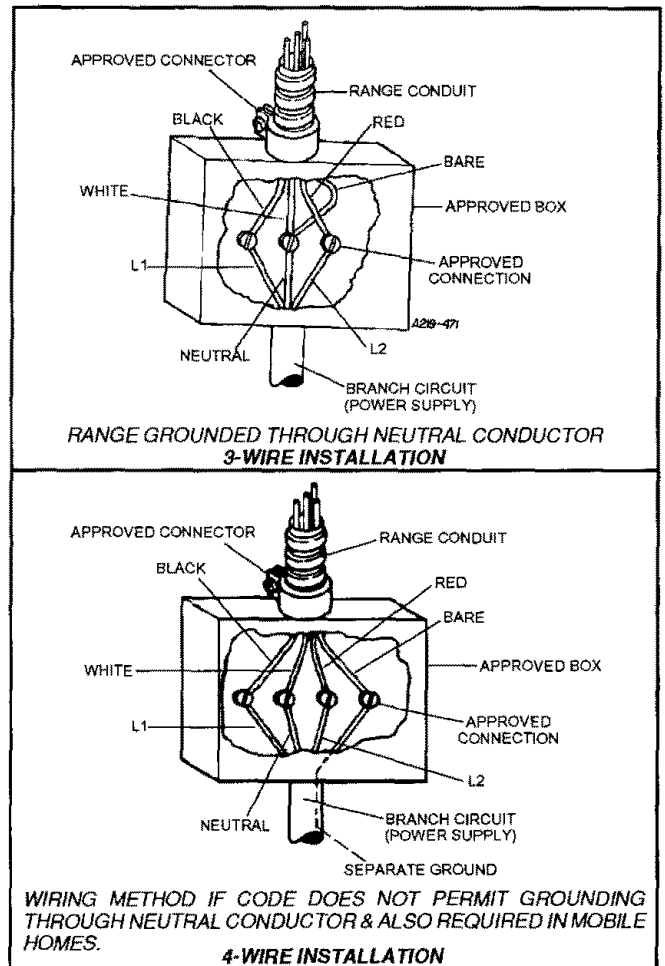
Your local Utility Company will tell you whether the present electric service to your home is adequate. It may be necessary to increase the size of the wiring to the house and service switch to take care of the electrical load demanded by the oven and/or top section. The wattage (K.W. rating) load for the oven is specified on the name plate on the unit.

HOUSE WIRING

Most local Building Regulations and Codes require that all electrical wiring be done by licensed electricians. All wiring should conform to Local or National Electrical Codes. This oven requires a single phase three wire 120/240 or a 120/208 volt, 60 Hz, AC circuit. Wiring codes require that a separate circuit be run from the main entrance panel to the oven and that it be equipped with separate disconnect switch and fuses, either in the main entrance panel or in a separate switch and fuse box.

RANGE CONNECTIONS

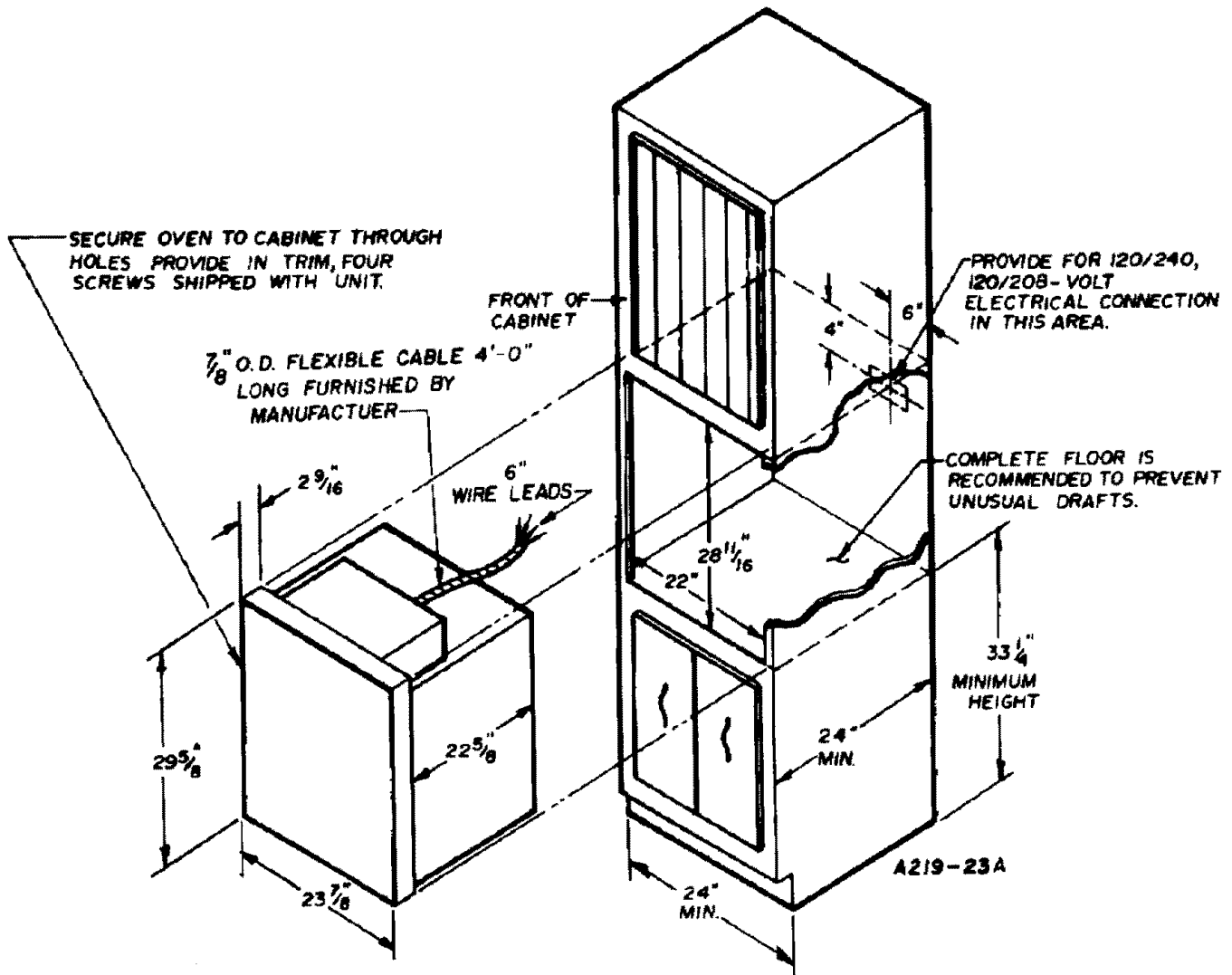
The flexible armored conduit supplied with the oven must be connected to an approved electrical junction box by means of an approved conduit to box connector. THE FRAME OF THE OVEN IS GROUNDED TO NEUTRAL ONLY WHEN THE WHITE AND BARE WIRES AT THE END OF OVEN CONDUIT ARE JOINED TOGETHER. Connect the white and bare wire at the end of the oven conduit to the neutral (white) wire of the branch circuit. If used on new branch-circuit installations (1996 NEC), mobile homes, recreational vehicles, or in an area where local codes prohibit grounding through the neutral conductor, untwist or disconnect the bare wire and connect the bare wire to ground in accordance with local code. Connect the white wire to the branch circuit. The red and black wires must be connected to the remaining two conductors of the branch circuit. Connect all wires to the branch circuit with approved connectors. Use copper or aluminum wire. If aluminum wire is used, use connectors recognized for joining aluminum to copper.



WARNING: Be sure OVEN is DISCONNECTED from POWER SUPPLY before examining any of the electrical equipment.

8101P432-60
(10-01-00)

22" Wide Cut Out Single Cavity Electric Wall Ovens



Free Manuals Download Website

<http://myh66.com>

<http://usermanuals.us>

<http://www.somanuals.com>

<http://www.4manuals.cc>

<http://www.manual-lib.com>

<http://www.404manual.com>

<http://www.luxmanual.com>

<http://aubethermostatmanual.com>

Golf course search by state

<http://golfingnear.com>

Email search by domain

<http://emailbydomain.com>

Auto manuals search

<http://auto.somanuals.com>

TV manuals search

<http://tv.somanuals.com>