

# INSTALLATION INSTRUCTIONS

## Stock No. 42-34713, 42-34714, 42-34715 Faucet

### TO ASSEMBLE FAUCET:

1. If not already assembled, install the escutcheon, rubber washer, spacer, flat washer and hex nut onto the threaded faucet stud.

2. Turn the tubing adapter onto the stud and hand tighten, then wrench 1/4 turn only. BE CAREFUL NOT TO CROSS THREAD.

3. CONNECT TUBING TO FAUCET AS FOLLOWS.

**Note:** For ease of tubing attachment, feed the tubing through the mounting hole and attach to faucet above the counter.

a. Take the separate length of 3/8" black tubing put an end through the hole in the rubber washer. Slide the end onto the larger barb fitting on the bottom of the faucet.

**Note:** To soften end of tubing, hold under hot water.

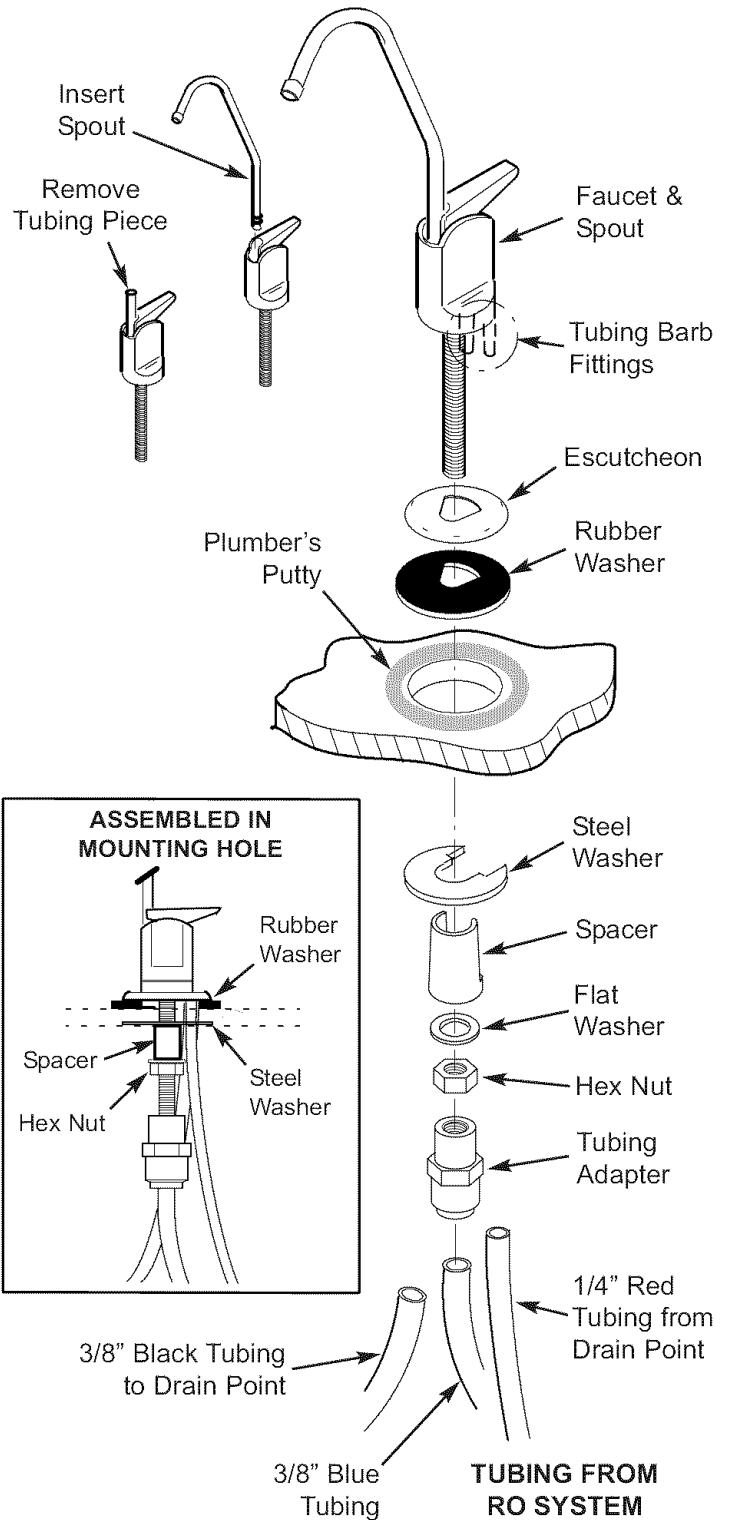
b. Route 1/4" red tubing from RO up through the sink hole and slide end onto the smaller barb fitting (heat end if needed) on the faucet.

c. Route 3/8" blue tubing from RO up through the sink hole and connect to the push-in tubing adapter fitting on the bottom of the faucet. Be sure it is held firmly in the adapter fitting. See your owners manual for tubing connection instructions.

4. Lower the faucet into the sink or countertop hole.

5. On the underside of the sink or countertop, insert the large steel washer between the mounting hole and the spacer on the faucet stud (see assembled view). Then, turn the hex nut up to the spacer and tighten. Tighten the hex nut so the faucet cannot move, but do not overtighten and break the faucet.

6. Wet the o-ring seals on the faucet spout. Then, remove and discard the short piece of tubing from the faucet body and insert the spout in its place.



**Installation Questions? Call 1-800-426-9345**

7254715 (Rev. B 9/19/07)

## Free Manuals Download Website

<http://myh66.com>

<http://usermanuals.us>

<http://www.somanuals.com>

<http://www.4manuals.cc>

<http://www.manual-lib.com>

<http://www.404manual.com>

<http://www.luxmanual.com>

<http://aubethermostatmanual.com>

Golf course search by state

<http://golfingnear.com>

Email search by domain

<http://emailbydomain.com>

Auto manuals search

<http://auto.somanuals.com>

TV manuals search

<http://tv.somanuals.com>