

# OWNER'S MANUAL

# SEARS

Kenmore

**SEWING MACHINE**

**MODELS 385. 11607**

**385. 12714**

## SEARS, ROEBUCK AND CO.

Dear Customer:

You have just invested in a very fine zigzag sewing machine. Before using your new Kenmore machine, please pause for a moment and carefully read this booklet which contains instructions on how to operate and care for your machine.

Specific instructions are given on threading, tension adjustments, cleaning, oiling, etc. This will help you obtain the best sewing results and avoid unnecessary service expense for conditions beyond our control.

Advice on the operation and care of your machine is always available at your nearest Sears Retail Store. Please remember, if you have questions about your machine or need parts and service, always mention the model number and serial number when you inquire.

### Kenmore Sewing Machine

Record in space provided below the model number and serial number of this appliance. The model number and serial number are located on the nomenclature plate, as identified on Page 4 of this booklet.

Model No. 385. \_\_\_\_\_ Serial No. \_\_\_\_\_  
Retain these numbers for future reference.

THIS MODEL IS A CENTER NEEDLE, LOW BAR SEWING MACHINE.

# IMPORTANT SAFETY INSTRUCTIONS

Your sewing machine is designed and constructed only for HOUSEHOLD use. Read all instruction before using this sewing machine.

## **DANGER**— To reduce the risk of electric shock:

1. An appliance should never be left unattended when plugged in. Always unplug this appliance from the electric outlet immediately after using and before cleaning.
2. Always unplug before relamping. Replace bulb with same type rated 15 Watts.
3. Do not reach for the appliance that has fallen into water. Unplug immediately.
4. Do not place or store appliance where it can fall or be pulled into a tub or sink. Do not place in or drop into water or other liquid.

## **WARNING**— To reduce the risk of burns, fire, electric shock, or injury to persons.

1. Do not allow to be used as a toy. Close attention is necessary when this appliance is used by or near children.
2. Use this appliance only for its intended use as described in this manual. Use only attachments recommended by the manufacturer as contained in this manual.
3. Never operate this appliance if it has a damaged cord or plug, if it is not working properly, if it has been dropped or damaged, or dropped into water. Return the appliance to the nearest authorized dealer or service center for examination, repair, electrical or mechanical adjustment.

4. Never operate the appliance with any air opening blocked. Keep ventilation openings of the sewing machine and foot controller free from accumulation of lint, dust, and loose cloth.
5. Never drop or insert any object into any opening.
6. Do not use outdoors.
7. Do not operate where aerosol (spray) products are being used or where oxygen is being administered.
8. To disconnect, turn all controls to the off ("O") position, then remove plug from outlet.
9. Do not unplug by pulling on cord. To unplug, grasp the plug, not the cord.
10. Keep fingers away from all moving parts. Special care is required around the sewing machine needle.
11. Always use the proper needle plate. The wrong plate can cause the needle to break.
12. Do not use bent needles.
13. Do not pull or push fabric while stitching. It may deflect the needle causing it to break.
14. Switch the sewing machine off ("O") when making any adjustment in the needle area, such as threading needle, changing needle, threading bobbin, or changing presser foot, and the like.
15. Always unplug the sewing machine from the electrical outlet when removing covers, lubricating, or when making any other adjustments mentioned in the instruction manual.

## SAVE THESE INSTRUCTIONS

## TABLE OF CONTENTS

### SECTION 1. KNOW THE MACHINE

A Portable Case or Cabinet is Available . . . . .	3
Locate and Identify the Parts . . . . .	3~4
Identify the Accessories . . . . .	4

### SECTION 2. PREPARE THE MACHINE FOR SEWING

Set Up the Machine . . . . .	5~7
• Plug in the Machine and Switch on the Power . . . . .	5
• Foot Control Use . . . . .	5
• Setting Spool Pins . . . . .	6
• Adjust the Presser Foot Lever . . . . .	6
• Thread Cutter . . . . .	6
• Free Arm Sewing: the Removable Extension Table . . . . .	7
• Accessories Storage Box . . . . .	7
• Change the Presser Foot . . . . .	7
Choose the Needle and Thread . . . . .	7~8
• To Change the Needle . . . . .	7
• Check the Needle . . . . .	8
• Fabric, Needle, Thread and Stitch Length Chart . . . . .	8
Prepare the Bobbin . . . . .	9~10
• To Remove the Bobbin Case from the Machine . . . . .	9
• Wind the Bobbin . . . . .	9~10
• Insert the Bobbin into the Bobbin Case . . . . .	10
Prepare the Top Thread . . . . .	11~12
• Thread the Needle . . . . .	11
• Pick Up the Bobbin Thread . . . . .	12
Adjust the Top Thread Tension . . . . .	13~14
Reverse Stitch Control . . . . .	14
Stitch Selector . . . . .	15
Stitch Length Control . . . . .	16
Adjusting Stretch Stitch Balance (Model 12714 only) . . . . .	16
Starting To Sew . . . . .	17

### SECTION 3. LEARN THE STITCHES

Straight Stitches . . . . .	18~22
• Straight Stitch . . . . .	18
• Use the Seam Guides . . . . .	18
• Turn a Square Corner . . . . .	18
• Topstitching . . . . .	19
• Left Needle Position . . . . .	19
• Sew in a Zipper . . . . .	20~21

• Use the Darning Plate . . . . .	22
• Darning . . . . .	22
Zigzag Stitches . . . . .	23~30
• Basic Zigzag . . . . .	23
• Satin Stitch . . . . .	24
• Applique . . . . .	25
• Bar Tacking . . . . .	25
• Sew a Button . . . . .	26
• Overcasting Stitch . . . . .	27
• Three-Step Zigzag . . . . .	28
• Lace Work . . . . .	28
• Blind Hemming . . . . .	29
• Shell Stitching . . . . .	30
• Box Stitching . . . . .	30
Stretch Stitches (Model 12714 only) . . . . .	31~33
• Straight Stretch . . . . .	31
• Rick-Rack Stretch . . . . .	31
• Smocking . . . . .	32
• Overcast Stretch Stitching . . . . .	32
• Serging or Pine Leaf Stretch Stitching . . . . .	33
• Elastic Stretch Stitch . . . . .	33
Buttonholes . . . . .	34~35

### SECTION 4. PERFORMANCE PROBLEMS CHART

What to Do When . . . . .	36~37
---------------------------	-------

### SECTION 5. CARE FOR THE MACHINE

Replacing the Light Bulb . . . . .	38
Cleaning the Machine . . . . .	38~39
• Clean the Feed Dogs . . . . .	38
• Clean the Shuttle Race . . . . .	39
Oiling the Machine . . . . .	40
• Oil behind the Face Cover Plate and Under Arm Cover Plate . . . . .	40
• Oil the Underside . . . . .	40

PARTS LIST . . . . .	41
----------------------	----

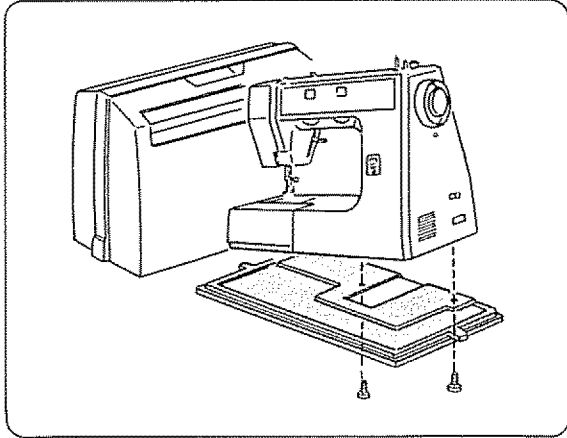
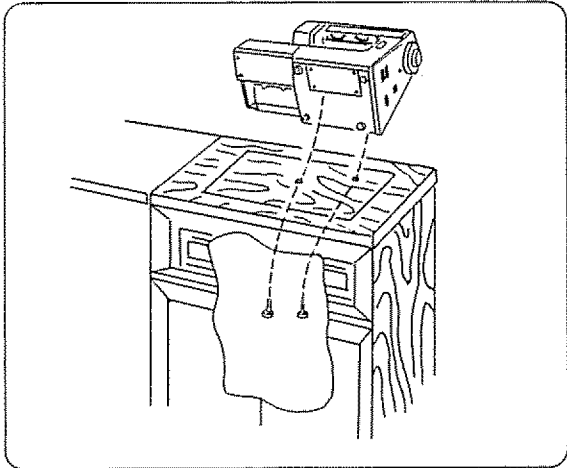
INDEX . . . . .	42
-----------------	----

SECTION 1. KNOW THE MACHINE

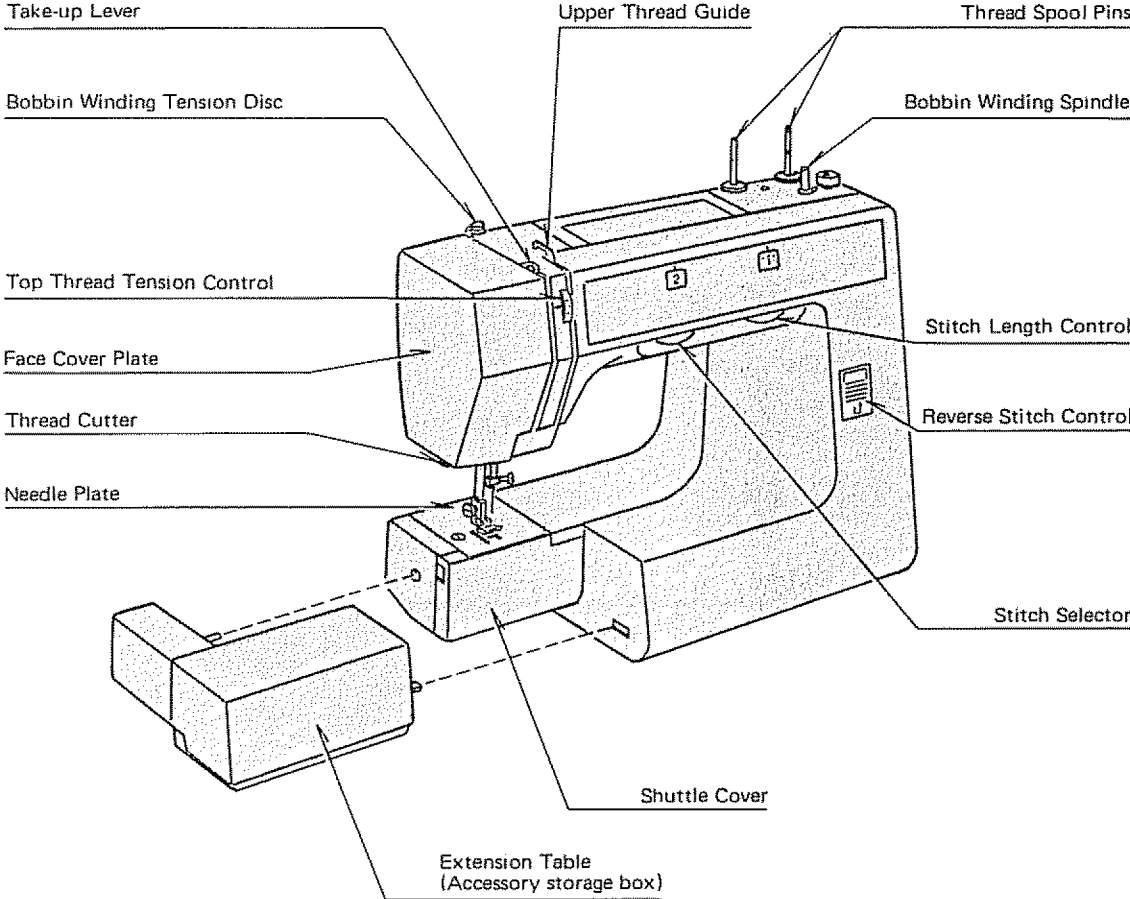
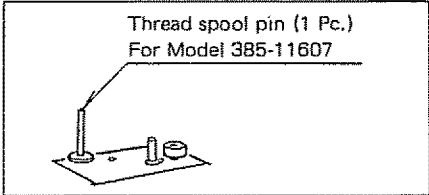
**A Portable Case or Cabinet is Available**

A full line of sewing cabinets is available at your nearest Sears retail store or through our general catalog.

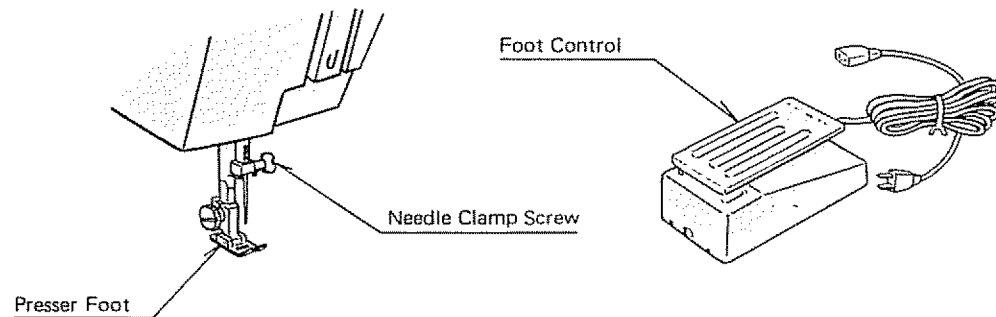
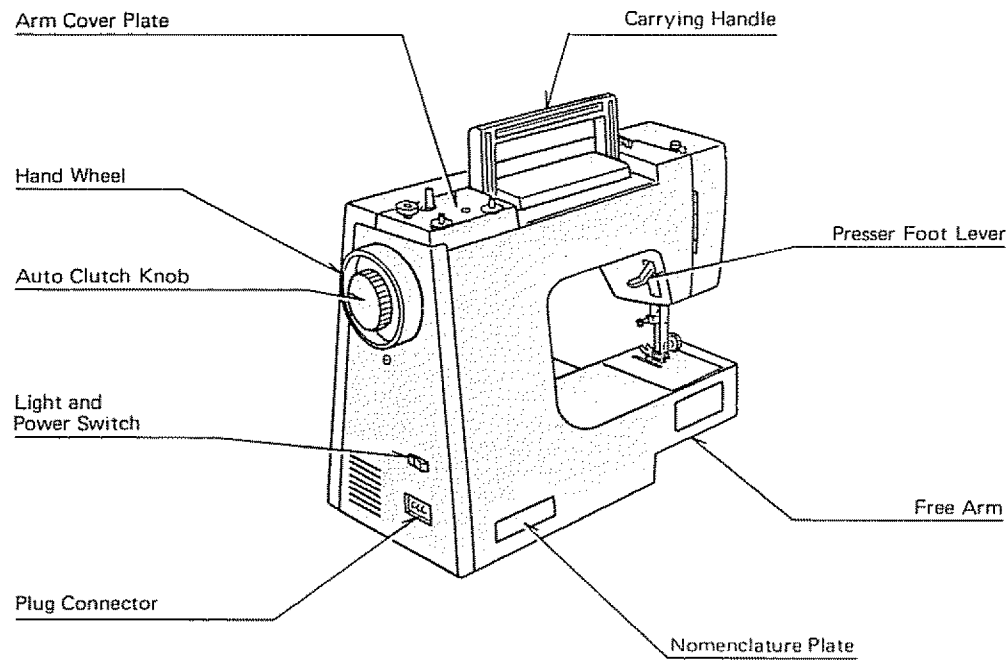
Another option . . . buy a Carrying Case . . . then your Kenmore goes anywhere, can be stored anywhere.



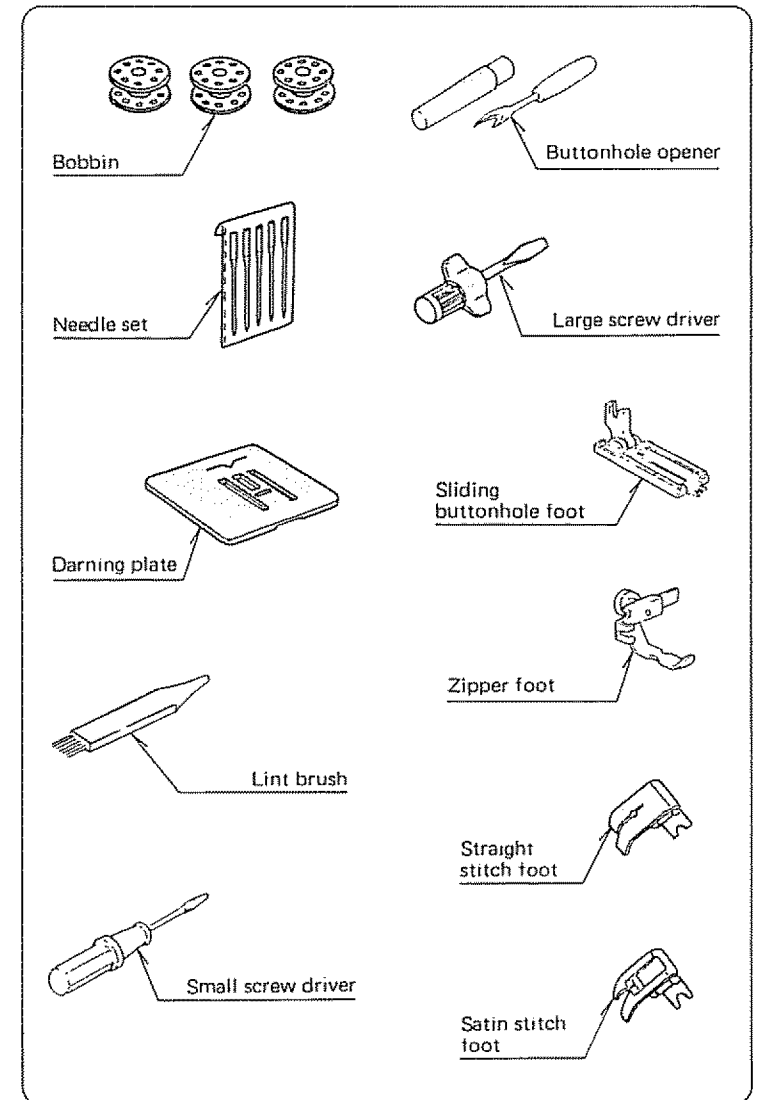
**Locate and Identify the Parts**



## SECTION 1. KNOW THE MACHINE



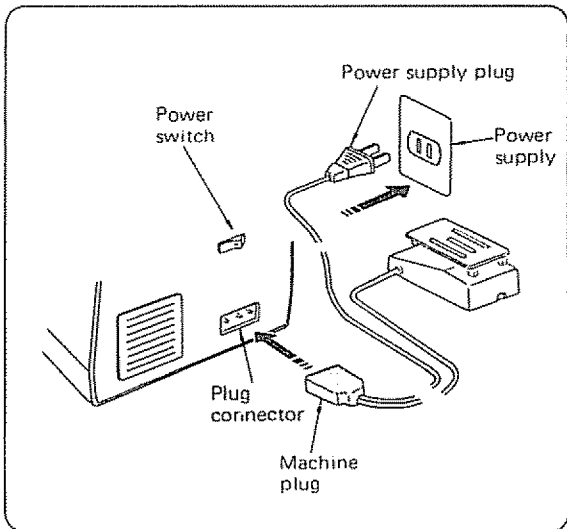
## Identify the Accessories



## SECTION 2. PREPARE THE MACHINE FOR SEWING

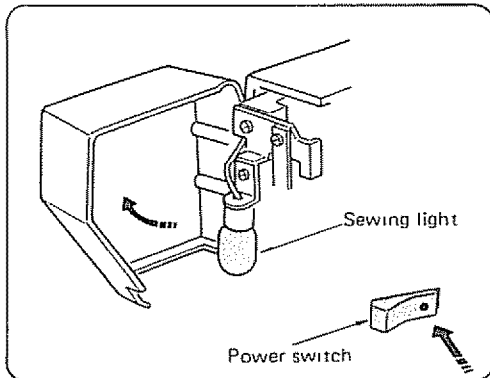
### Set Up the Machine

#### • Plug in the Machine and Switch on the Power



**NOTE:** Before inserting the plug into your machine, be sure the power switch is OFF.

1. Check your outlet to be sure it is a 110 to 120 Volt AC outlet.
2. Insert the machine plug into the three-prong plug connector, as shown. It will only fit one way.
3. Insert the power supply plug into the outlet.

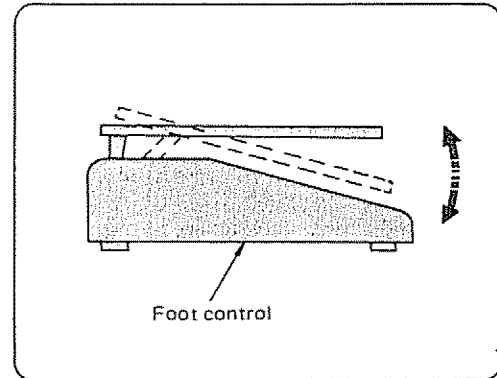


4. Push the light and power switch to turn on the power and sewing light.

#### SAFETY FEATURE:

Your machine will not operate unless the light/power switch is turned on. If you are interrupted or stop sewing, turn off the light/power switch to prevent injury to children.

#### • Foot Control Use



The foot control regulates the speed at which you sew.

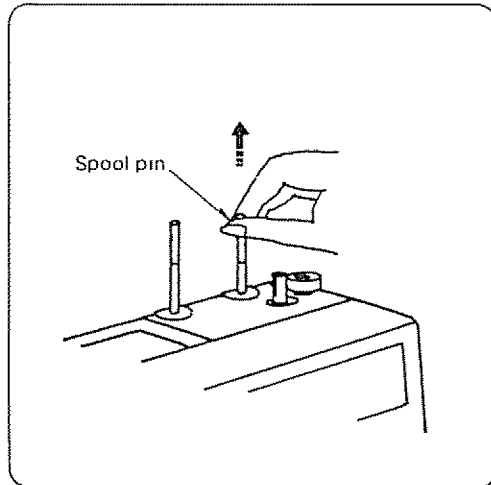
To increase speed, gently press down with the ball of your foot.

To decrease speed, release your foot pressure slightly.

**NOTE:** The foot control is sensitive and will increase or decrease your sewing speed immediately. Practice on a scrap of fabric to regulate your sewing speed to your taste and needs.

## SECTION 2. PREPARE THE MACHINE FOR SEWING

### • Setting Spool Pin

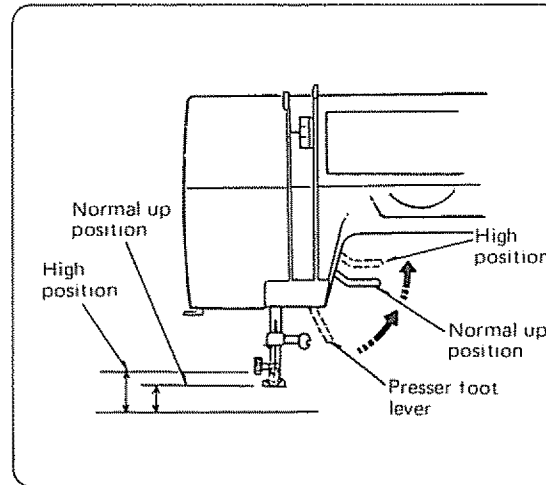


The spool pins are used for holding the spools of thread when feeding thread to the machine.

To use, pull up the spool pins. Push down for storage.

NOTE: Model 11607 has one spool pin.

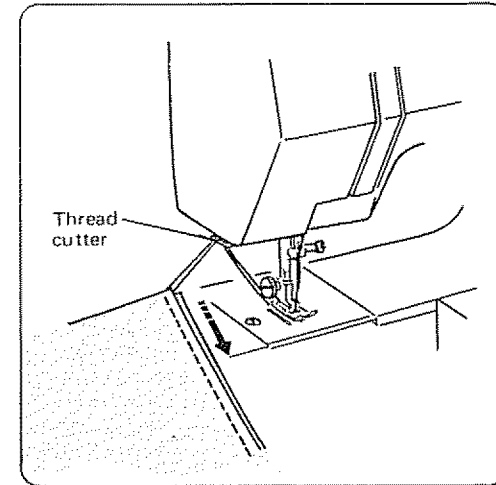
### • Adjust the Presser Foot Lever



The Presser Foot Lever raises and lowers your presser foot.

You can raise it about 1/4" higher than the normal up position for easy removal of the presser foot or to help you place heavy fabrics under the presser foot.

### • Thread Cutter



You don't need a pair of scissors to cut the thread after you finish sewing. Just use the handy thread cutter.

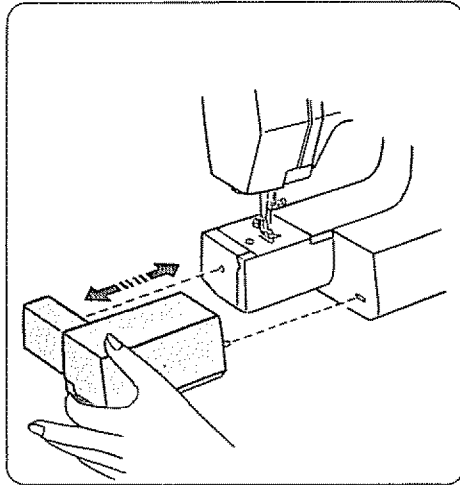
Pull the threads to lengthen several inches before starting the next seam.



## SECTION 2. PREPARE THE MACHINE FOR SEWING

### Set Up the Machine (Continued)

- Free-Arm Sewing: the Removable Extension Table



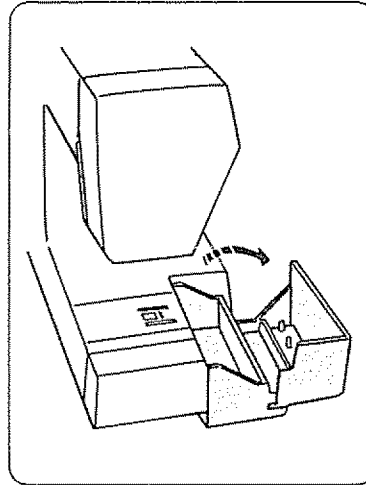
#### To Remove the Extension Table (for free-arm sewing)

1. Grip the table with your index finger and thumb, as shown.
2. Pull gently to the left. The extension table will snap out.

#### To Attach the Extension Table (for flat-bed sewing)

1. Insert the tab and the pin into their catches.
2. With your thumb and index finger, gently snap in.

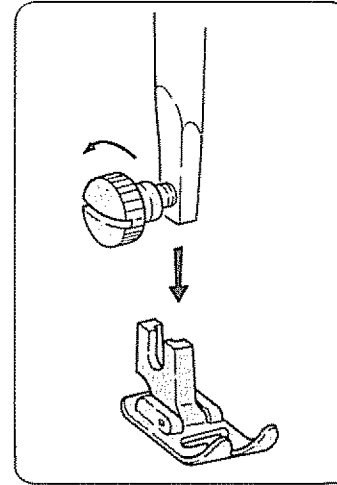
- Accessory Storage Box



The lid of the accessory storage box lifts open toward you.

Sewing accessories are conveniently located in the box.

- Change the Presser Foot



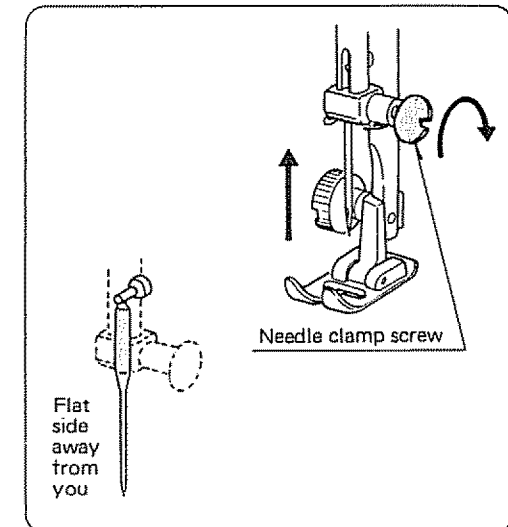
Use the correct presser foot for the stitch you wish to sew.

To change the various presser feet, raise the presser bar to its highest position by lifting the presser foot lever.

Loosen the presser foot thumb screw, choose the proper foot, insert from the bottom. Tighten the screw using the large screw driver to make certain the foot is secure.

### Choose the Needle and Thread

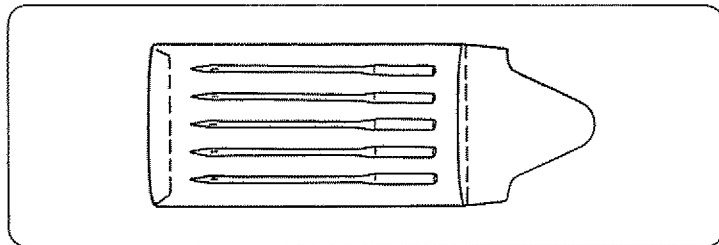
- To Change the Needle



**NOTE:** Raise the needle bar to its highest position by turning the hand wheel toward you.

1. Loosen the needle clamp screw by turning it toward you.
2. Remove the needle by pulling it downward.
3. Insert the new needle into the needle clamp with the flat side away from you.
4. Push the needle up as far as it will go.
5. Tighten the needle clamp screw firmly with the large screwdriver from the accessory box.

## SECTION 2. PREPARE THE MACHINE FOR SEWING



Your choice of needle and thread depends on the fabric you are sewing.

In the needle envelope, you will find the following color-coded needles:

- Blue (11) . . . . . for stretch fabrics.
- Orange (11) . . . . . for lightweight fabrics.
- Red (14) . . . . . for medium or medium-heavy weight fabrics.
- Purple (16) . . . . . for medium-heavy weight fabrics and decorative topstitching on these fabrics. (This needle has a larger thread hole for thicker topstitching thread.)
- Green (18) . . . . . for heavy weight fabrics and decorative top-stitching on these fabrics.

Replacement Kenmore needles are available at your nearest Sears store.

### • Check the Needle

1. Look for barbed or blunt point.
2. A damaged needle can cause permanent snags or runs in knits, fine silks and silk-like fabrics.

Always buy a good quality thread. It should resist tangling and be strong, smooth and consistent in thickness.

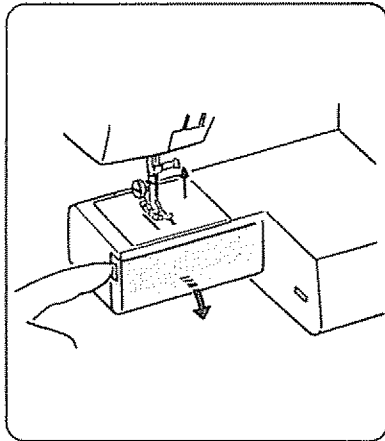
### • Fabric, Needle, Thread and Stitch Length Chart

FABRIC	NEEDLE SIZE AND COLOR	THREAD SIZE	RECOMMENDED STITCH LENGTH SETTING
Lightweight: Batiste, Dimity, Chiffon, Silks, Fine Lace, Organza, Crape, Taffeta, Voile, Organdy	11-ORANGE	Polyester Core/Cotton Wrap Fine Mercerized Cotton Silk A	2 (12 stitches per inch)
Medium Weight: Cotton, Cotton Blend, Percale, Gingham, Shantung, Pique, Seersucker, Satin, Knit, Suitings, Linen, Wool Crepe, Leather	14-RED	50 Mercerized Cotton Polyester Core/Cotton Wrap Silk A	2–2.5 (10-12 stitches per inch)
Medium Heavy Weight: Corduroy, Denim, Wool, Sailcloth, Wool Flannel, Gabardine, Velvet, Leather	14-RED or 16-PURPLE	50 Mercerized Cotton Mercerized Heavy-Duty Polyester Core/Cotton Wrap Silk A	2–3 (8-10 stitches per inch)
Heavy Weight: Coating, Upholstery Cotton Duck, Heavy Twill, Canvas	18-GREEN	Heavy Duty Mercerized Cotton Polyester Core/Cotton Wrap Silk A	3 (8 stitches per inch)
Decorative top-stitching on all types of fabric	16-PURPLE 18-GREEN	Buttonhole Twist (Use as top thread only)	3–4 (6-8 stitches per inch)
Stretch Fabric: Polyester Double Knit, Nylon Tricot, Jersey, Stretch Terry, Spandex, Cire Tricot	11-BLUE (STRETCH FABRIC NEEDLE)	Polyester Core/Cotton Wrap 50 Mercerized Cotton	2–2.5 (10-12 stitches per inch)

## SECTION 2. PREPARE THE MACHINE FOR SEWING

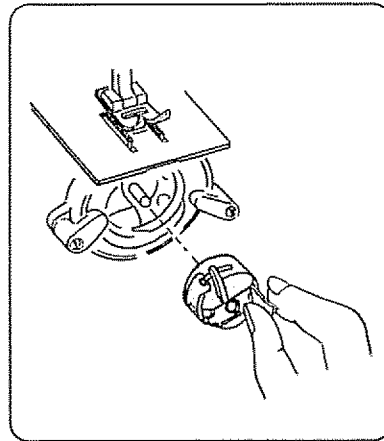
### Prepare the Bobbin

- To Remove the Bobbin Case from the Machine



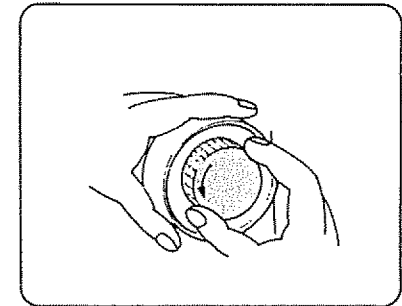
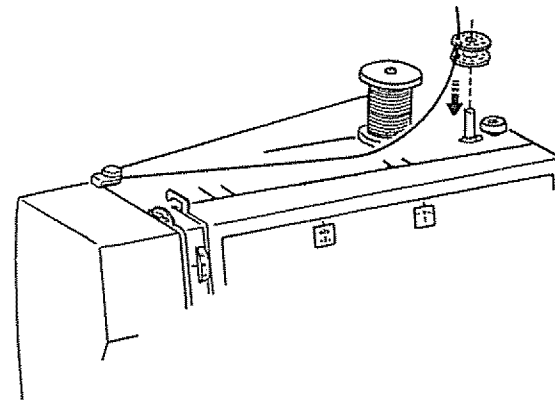
Remove the extension table from the machine by pulling it to the left. Open the shuttle cover by pulling down the embossed part on the left side of the cover.

Raise needle to its highest position by rotating hand wheel toward you.



To remove bobbin case from shuttle, pull open latch of bobbin case. Pull bobbin case straight out of shuttle.

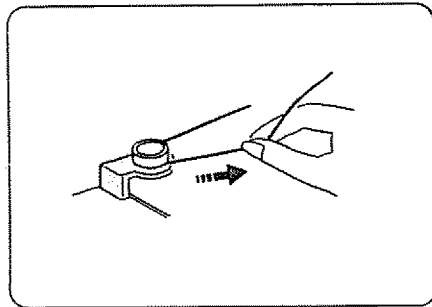
- Wind the Bobbin



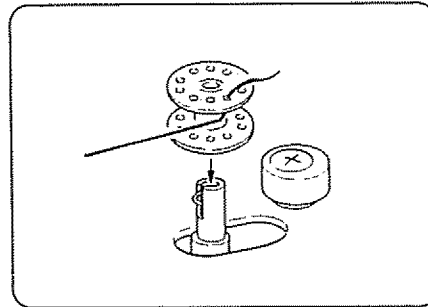
Release clutch by turning the clutch knob inside the hand wheel toward you to stop the needle from moving while you wind the bobbin.

## SECTION 2. PREPARE THE MACHINE FOR SEWING

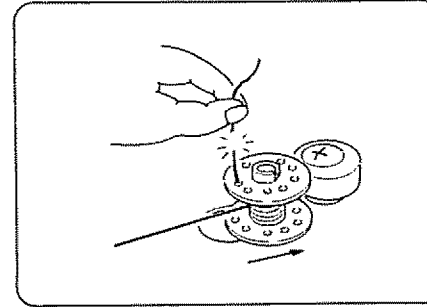
### • Wind the Bobbin (Continued)



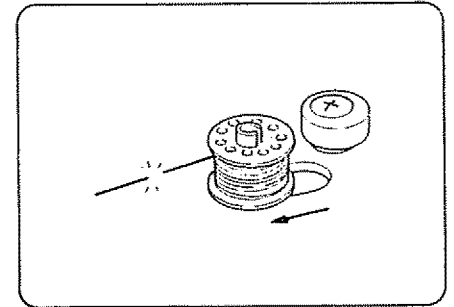
Draw thread from spool through bobbin winding tension disc as shown.



Pull end of thread through hole in bobbin as shown.

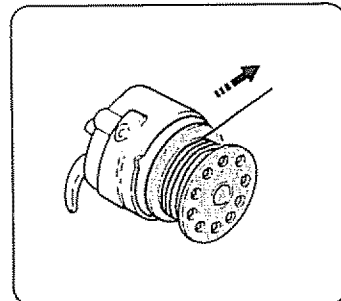


Place bobbin onto bobbin winding spindle with end of thread coming from the top of the bobbin. Push bobbin winding spindle to the right until it clicks. Holding onto end of thread, start machine. When bobbin is slightly filled, snip off end of thread.

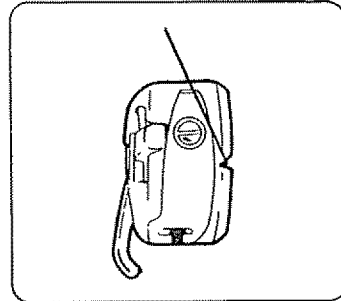


Wind thread until winder stops. Push bobbin winding spindle to the left and clip thread. Remove bobbin. Turn clutch knob away from you while holding hand wheel for normal sewing operation.

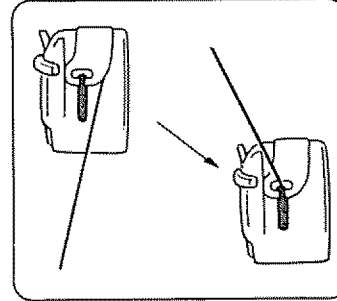
### • Insert the Bobbin into the Bobbin Case



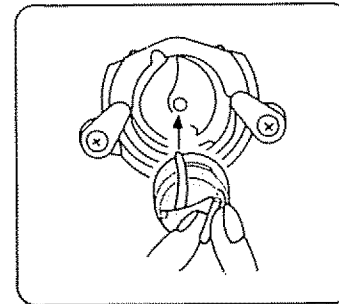
Place bobbin in bobbin case making sure thread feeds clockwise and is coming from bobbin as shown.



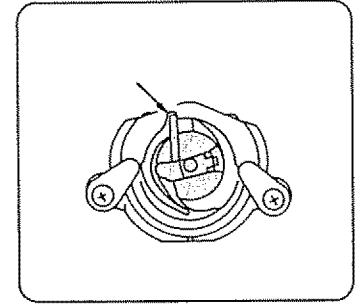
Pull thread through slot of case as shown.



Pull thread under tension spring and through the opening as shown above. Pull 3 to 4 inches of thread from bobbin.



Holding latch open, position case into shuttle and release latch.

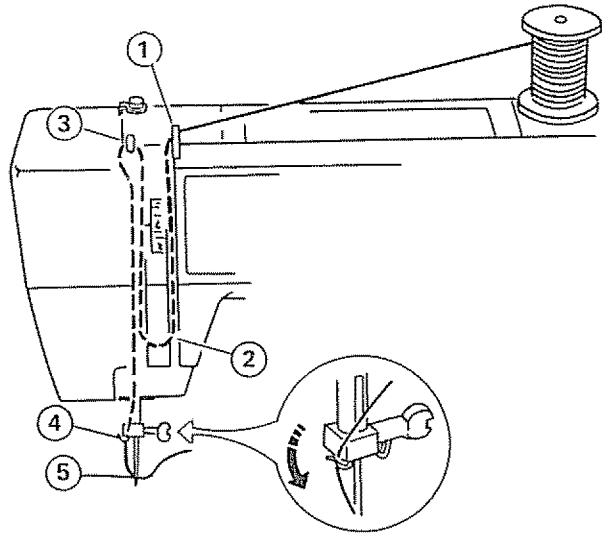


Case should lock into place when latch is released.

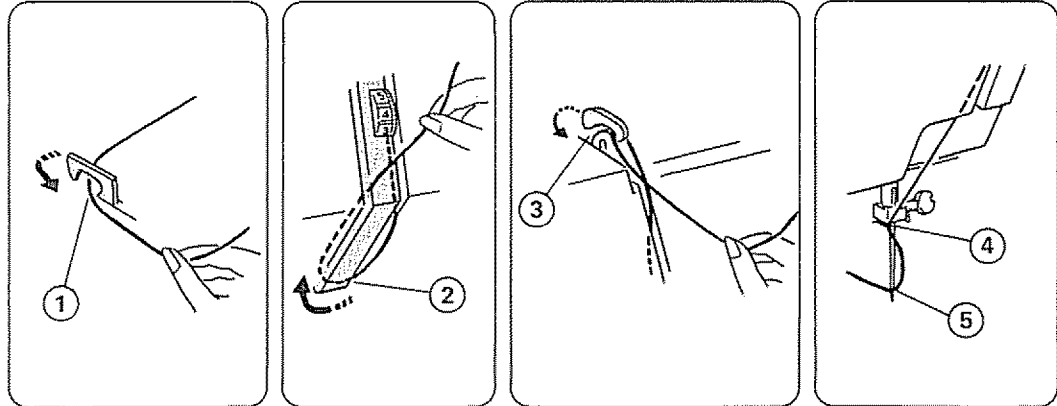
SECTION 2. PREPARE THE MACHINE FOR SEWING

Prepare the Top Thread

• Thread the Needle



The numbered steps above follow the numbers on the illustrations.  
Dotted lines show places where the thread loops and then is pulled tight.



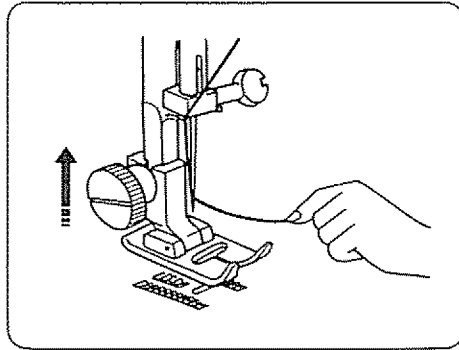
Raise take-up lever to its highest position by turning hand wheel toward you.  
Raise presser foot lever.  
Place spool on spool pin as shown, with thread coming from the back of the spool.

1. Draw thread into thread guide using both hands.
2. While holding thread near spool, draw thread down into the tension area and then around the check spring holder.
3. Firmly draw thread up and through take-up lever from right to left.
4. Draw thread down and slip it into left side needle bar thread guide.
5. Thread needle from front to back.

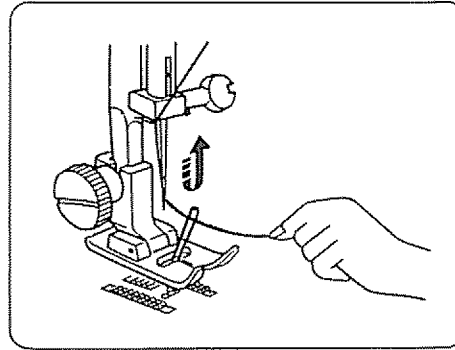
NOTE: You may want to cut the end of thread with sharp scissors for easier needle threading.

## SECTION 2. PREPARE THE MACHINE FOR SEWING

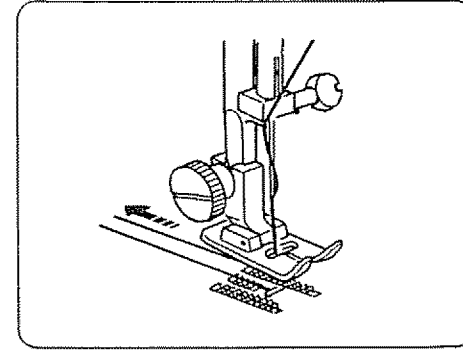
### • Pick Up the Bobbin Thread



1. Raise presser foot lever. Hold top thread loosely in left hand and rotate handwheel toward you one complete turn.



2. Bring bobbin thread up by pulling top thread.



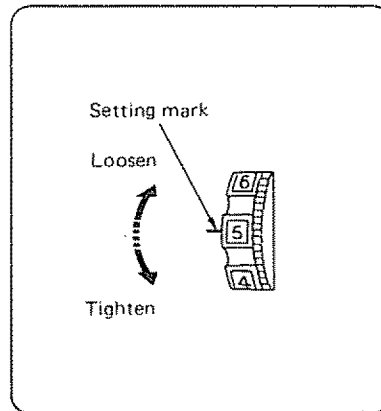
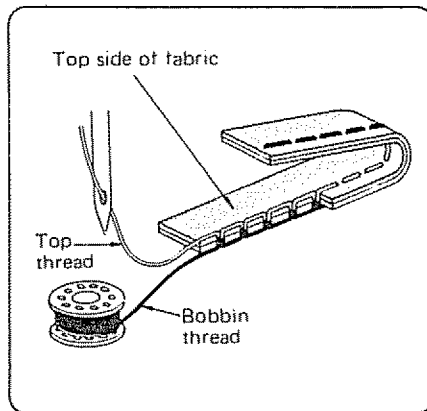
3. Pull both threads under and to the back of the presser foot, leaving 4 to 6 inches of thread clear.

If you cannot pick up bobbin thread by following steps given above, then check:

1. Is needle threaded from front to back?
2. Is thread tangled around needle?
3. Are 3 to 4 inches of thread coming from the shuttle?
4. Is thread from shuttle tangled?
5. Is bobbin properly installed in the bobbin case?
6. Is the machine threaded according to the instructions?

## SECTION 2. PREPARE THE MACHINE FOR SEWING

### Adjust the Top Thread Tension



#### For Straight Stitch

The ideal straight stitch will have threads locked between the two layers of fabric, as shown above, magnified to show detail.

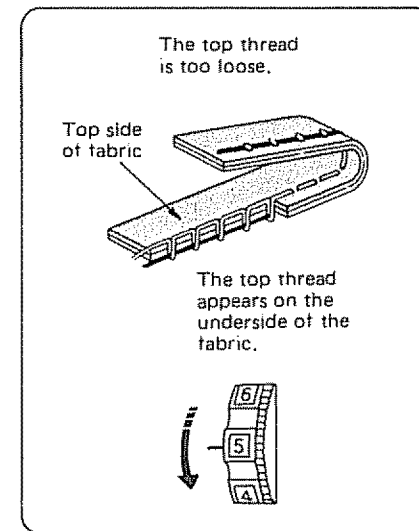
If you look at the stitch, front and back, you will notice that there are no gaps, that each stitch is smooth and even.

When adjusting top thread tension, the higher the number, the tighter the top thread.

#### Choose the Correct Tension:

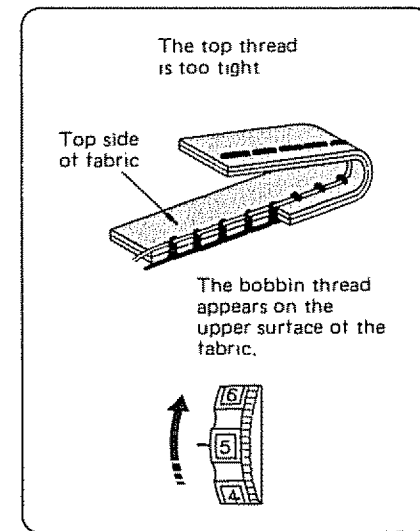
The best tension will depend on;

- \_\_\_\_\_ the stiffness and thickness of the fabric
- \_\_\_\_\_ the number of fabric layers
- \_\_\_\_\_ the type of stitch



Tension is too loose:

The top thread shows through the bottom of the fabric. The bottom side of the stitch will feel bumpy.



Tension is too tight:

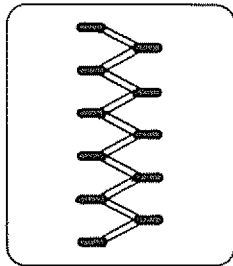
The bobbin thread will come through the top of the fabric. The top side of the stitch will feel bumpy.

## SECTION 2. PREPARE THE MACHINE FOR SEWING

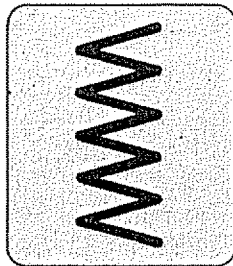
### For Zigzag Stitch

In a correct zigzag stitch, the bobbin threads will not show on the top side of fabric and the top threads will show slightly on the bottom side. See below for the correct appearance. To match this appearance, adjust the top tension.

Top tension  
Too Tight



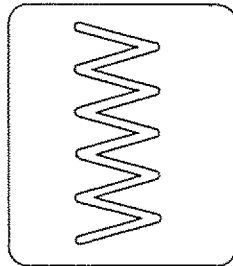
Top side of Fabric



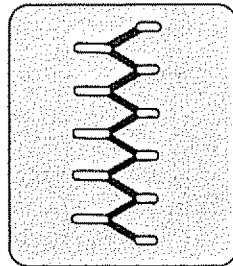
Bottom side of Fabric  
Too Tight:

— Corner of each zigzag will pull together on the top side of fabrics.

Top tension  
Too Loose



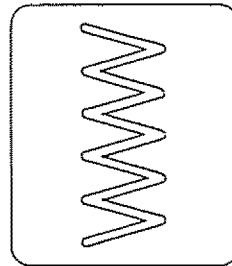
Top side of Fabric



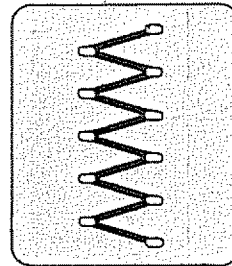
Bottom side of Fabric  
Too Loose:

— The top thread will loop through bottom side of fabric and will be pulled almost together.

Just Right



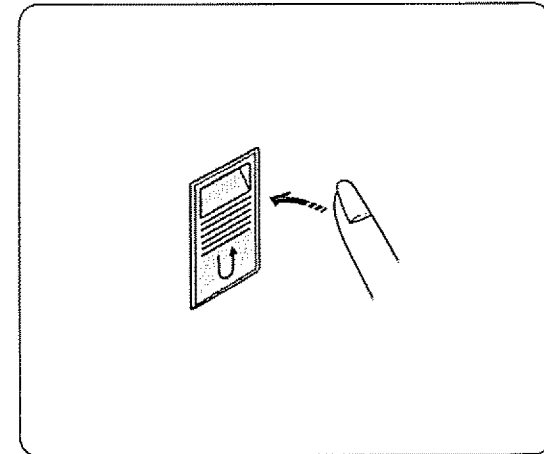
Top side of Fabric



Bottom side of Fabric  
Just Right:

Minimize the amount of top thread visible on the bottom side of fabric without causing excessive puckering or causing the bobbin thread to show on the top side. Results vary with fabric, thread and sewing conditions.

### Reverse Stitch Control

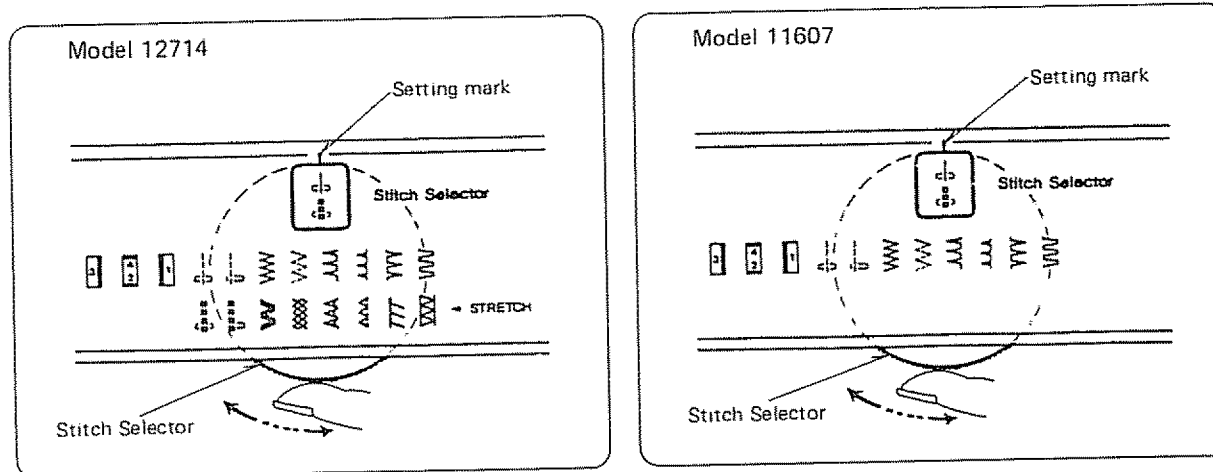


To reverse stitch, hold down this control during sewing.

Release to sew forward again.



### Stitch Selector



The stitch selector control not only determines the stitch you select, but also regulates the stitch width for regular zigzag.

The different types of stitches are designated by color.

Straight, Zigzag and Utility Stitches are red.

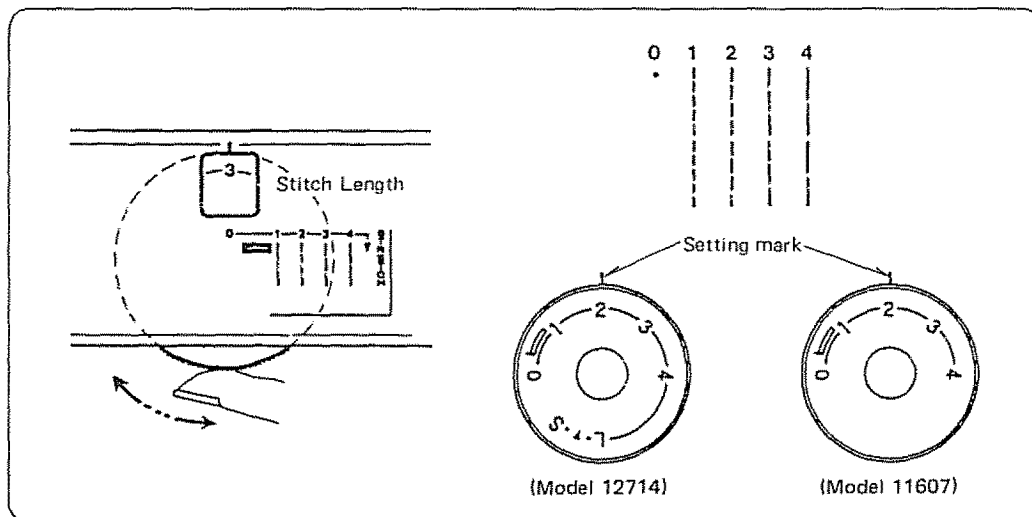
Stretch Stitches are brown. (Model 12714 only)

Buttonhole Settings are blue.

NOTE: To avoid needle or fabric damage, be sure your needle is up and out of fabric when adjusting this control.

## SECTION 2. PREPARE THE MACHINE FOR SEWING

### Stitch Length Control



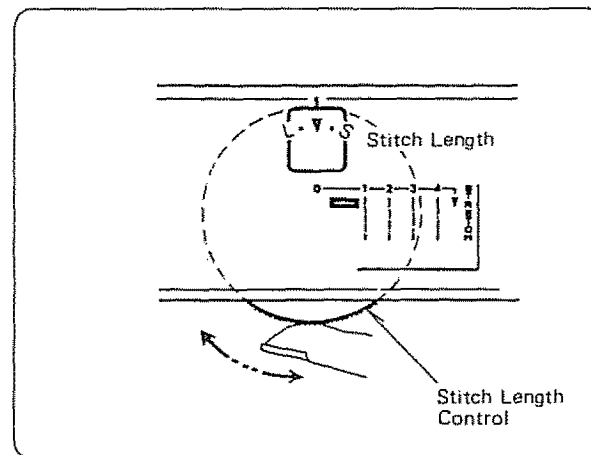
The stitch length control regulates the length of stitch.

The higher the number, the longer the stitch.

"0" means no feed.

Depending upon your fabric or your own preference in buttonholes, you may alter the buttonhole stitch density within the blue buttonhole range on the stitch length control.

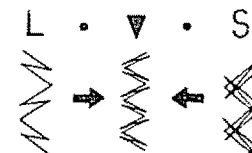
### Adjusting Stretch Stitch Balance (Model 12714 only)



To select Stretch Stitches, set this control at ▼ position.

In stretch stitch sewing, Stitch Length Control should be in the detent position between S and L (▼ position) for most materials. Depending upon the type of fabric used, you may need to adjust this control to match forward stitches of stretch sewing with reverse motion stitches.

To shorten stretch stitches, turn the control slightly toward "S". To lengthen, turn toward "L".



## SECTION 2. PREPARE THE MACHINE FOR SEWING

### Starting To Sew

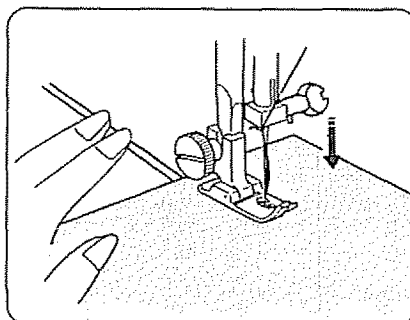
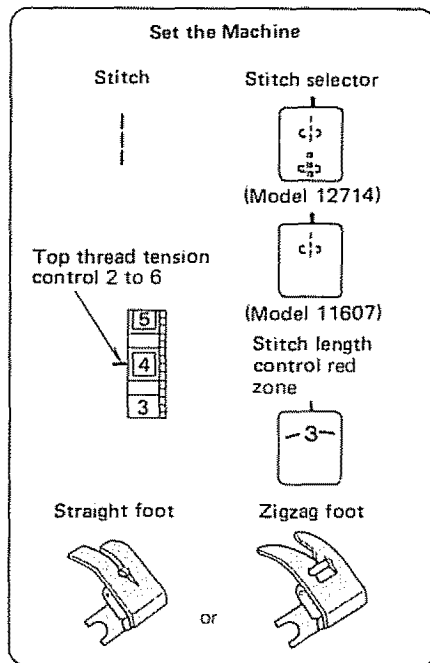
Now that you are familiar with the controls on your machine and with the accessories provided for the machine, you are ready to start to sew with your new Kenmore sewing machine. Below are some good habits to follow each time you sit down to sew:

1. Inspect the needle. It should be straight, properly set and sharp on the point. It should be the correct size for the fabric and thread being used. Do not be afraid to change your needle frequently. Many of the new fabrics made of synthetic blends tend to dull the needles more easily than fabrics made of natural fibers.
2. Before placing the material on the machine, see that the ends of the threads have been drawn about 4 inches to the rear of the machine. Hold on to threads during the sewing of the first 3 or 4 stitches of the seam.
3. Test the machine stitch on a scrap of the fabric you plan to use. The fabric should be double thickness. Adjust the machine for the length of stitch and tension suitable to the fabric.
4. Fabric should be placed under the presser foot with the bulk of the material to the left of the needle and the right edge of the material placed on the 5/8" seam marking on the needle plate when making a simple seam.
5. Run the machine at a slow even speed. The more pressure you put on the foot control, the faster the machine will sew.
6. Fasten each seam by back tacking sewing a few stitches in reverse.
7. Always finish sewing each seam with the needle at its highest point.
8. Guide the fabric gently with your hand in front of the needle. Never pull or hold the fabric in such a way that the normal feeding is altered.
9. When turning the hand wheel manually, always turn it toward you.

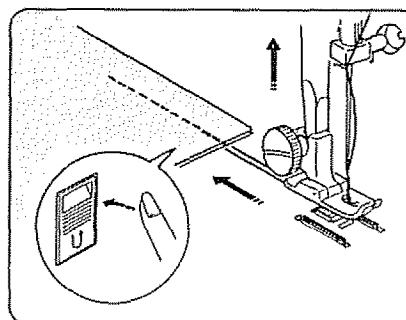
## SECTION 3. LEARN THE STITCHES

### Straight Stitches

- Straight Stitch

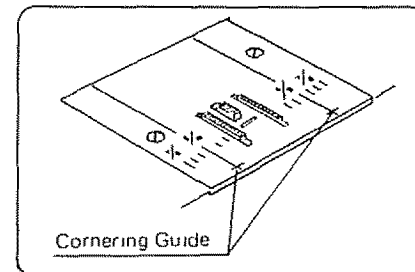


1. Raise the presser foot.
2. Raise the needle to its highest position.
3. Place the edge of the fabric next to a stitching guide line on the needle plate (5/8" is most common).
4. Draw the threads towards the back and lower the presser foot.
5. Press the foot control.
6. Hold the fabric loosely and gently guide it along the guide line, so that it feeds naturally.  
Do not force the fabric or try to pull it tight.



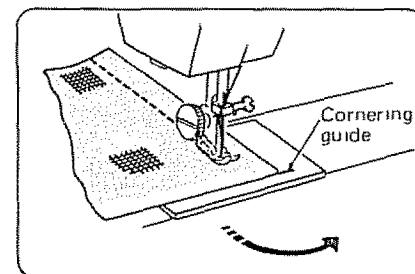
7. At the end of the seam, you may want to reverse to lock the stitch.
8. Raise the presser foot and remove the fabric.
9. Cut the threads.

- Use the Seam Guides



The seam guides on the needle plate are there to help you measure seam width. The lines are 1/8" apart, with the 5/8" and 7/8" lines marked.

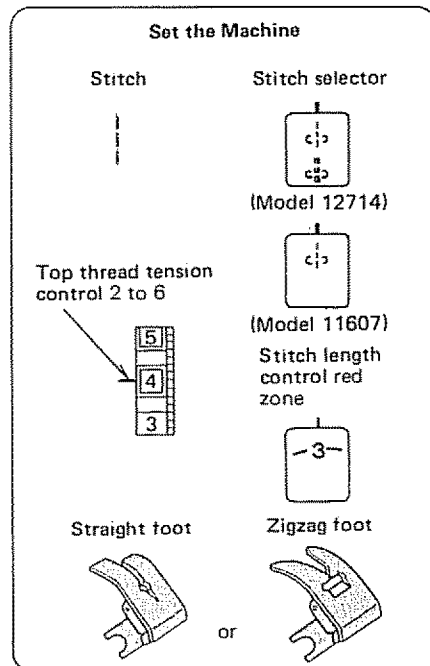
- Turn a Square Corner



To turn a square corner 5/8" from the fabric edge:

1. Stop stitching and lower the needle by turning hand wheel toward you when the fabric edge facing you lines up with the cornering guide, as shown.
2. Raise the presser foot and turn the fabric to line the edge with the 5/8" seam guide.
3. Lower the presser foot and begin stitching in the new direction.

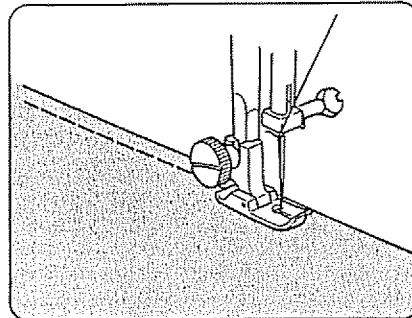
### • Topstitching



#### The Stitch and Its Uses

Topstitching emphasizes the lines of your garment and keeps seams and edges flat and crisp.

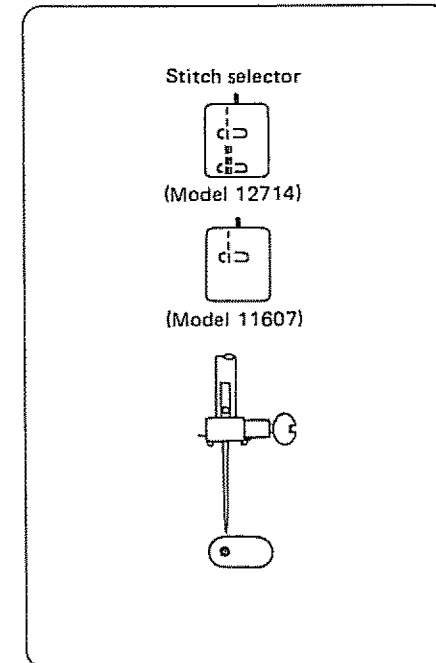
Accent suits or blouses with one or two rows of topstitching around the outer edges of cuffs, lapels or collars.



#### Here's How

1. Lower the presser foot.
2. Keep the edge of the fabric next to the right edge of the presser foot.
3. Evenly guide the fabric along this edge to produce an even row of topstitching 3/8" from the edge.

### • Left Needle Position



Use Left Needle Position for more control while topstitching or edge stitching difficult fabrics.

**NOTE:** Use only zigzag presser foot for Left Needle Sewing.

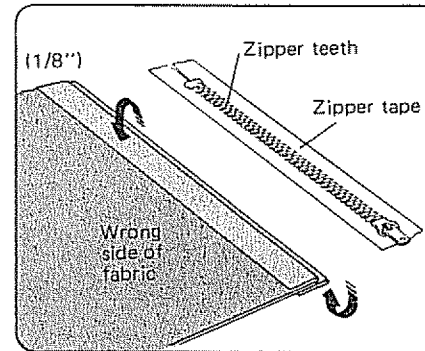
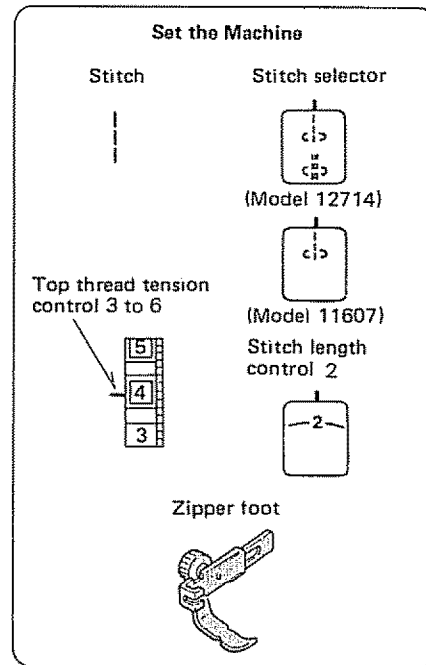
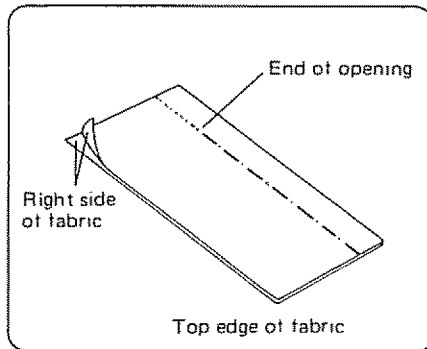
## SECTION 3. LEARN THE STITCHES

### • Sew in a Zipper

#### Fabric Preparation:

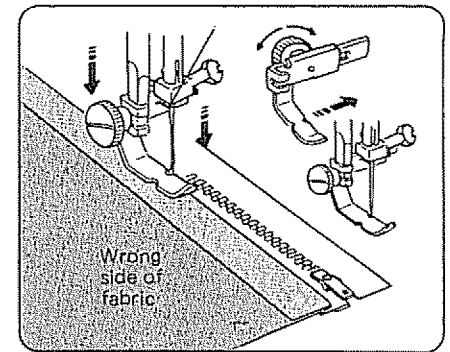
Put the right sides of the fabric together and sew to the end of the zipper opening. Use the reverse to lock the stitches.

Sew the zipper opening with stitch length at "4" and top thread tension at "3".

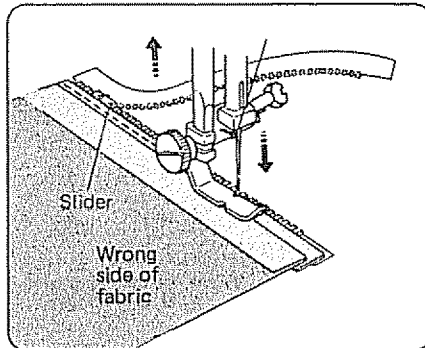


#### To Sew:

1. Fold back the left seam allowance as shown.
2. Turn under the right seam allowance to form a 1/8" fold.
3. Place the zipper teeth next to the 1/8" fold and pin in place.

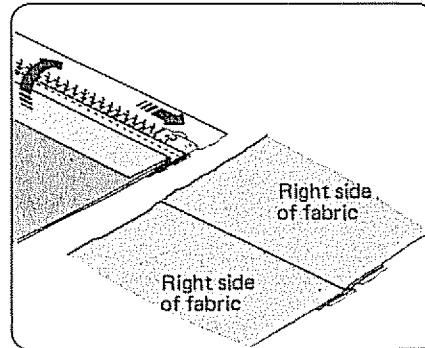


4. To sew the left side of the zipper, set the zipper foot on the left side of the needle.
5. Lower the zipper foot on the right side at the bottom of the zipper so that the needle pierces the fold and the zipper tape.
6. Sew through the fold and the zipper tape to the point where the slider begins.
7. Lower the needle to hold the fabric and raise the presser foot.

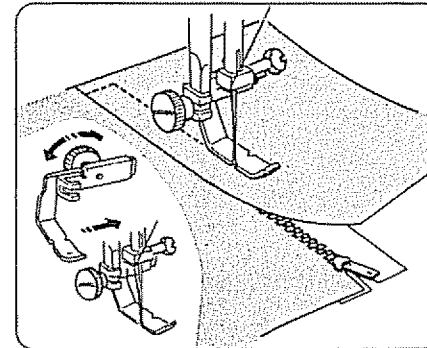


8. Open the zipper.

9. Lower the presser foot and stitch the rest of the seam.



10. Close the zipper and turn the fabric right side up.

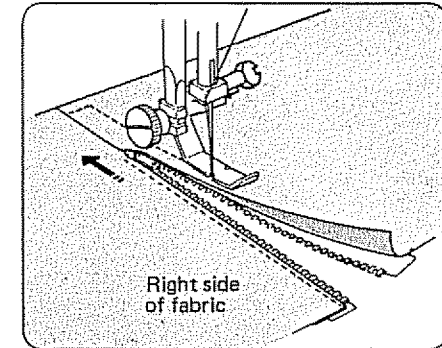


11. To sew the right side of the zipper, set the zipper foot on the right side of the needle.

12. Stitch across and below the bottom of the zipper.

13. Turn the corner and continue to guide the foot along the zipper teeth, as shown.

Stitch through the fabric and zipper tape.



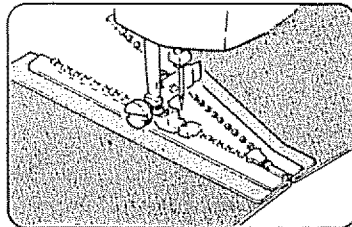
14. Stop about 2" from the top of the zipper.

15. Lower the needle into the fabric and raise the presser foot.

16. Remove the basting stitches and open the zipper.

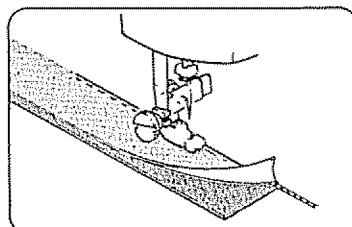
17. Lower the foot and stitch the rest of the seam. Make sure the fold is even.

### INVISIBLE ZIPPER AND CORDING



#### INVISIBLE ZIPPER

Adjust the foot so the needle is sewing through the center hole of the foot and one groove of the foot is riding on the teeth of the zipper as shown. Follow the zipper manufacturer's instructions. After zipper has been inserted, finish sewing seam by shifting foot to side position sewing through side notch.



#### CORDING

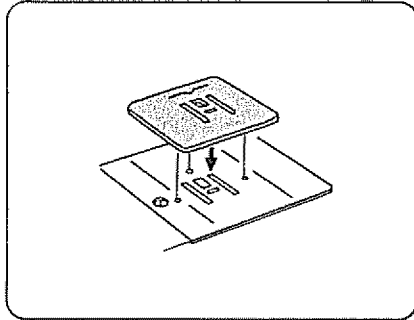
Foot can also be used to make cording for slip-covers etc. Cover a cord with a strip of bias fabric and sew as shown.

#### NOTE:

Use "Low Bar Sewing Machine ZIPPER FOOT" (6757) for "invisible zipper" and "cording", which can be obtained at any Sears retail store.

## SECTION 3. LEARN THE STITCHES

### • Use the Darning Plate



Sometimes when you sew, you want to control the fabric yourself.

The Darning Plate covers the feed dogs so that they do not touch the fabric.

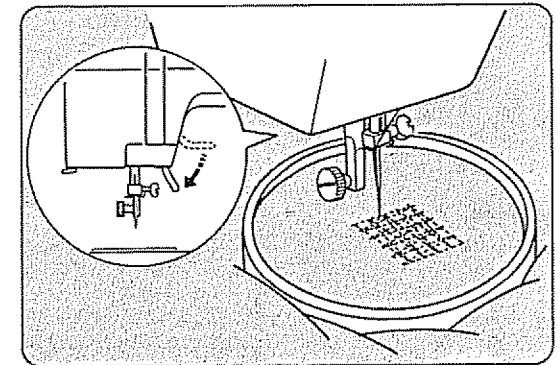
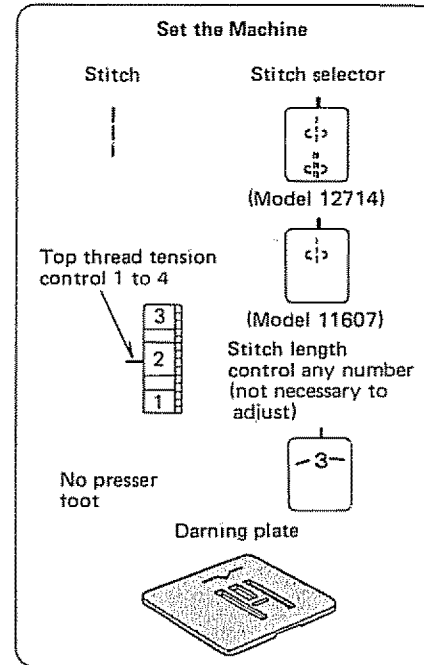
To Put on the Darning Plate:

**NOTE:** The rectangular holes in the Darning Plate match the holes in the needle plate. In the darning plate, these holes are slightly to the left of center.

1. Position the darning plate with the 3 pins on the bottom.
2. Fit the darning plate pins into the needle plate holes. The feed dogs will show through the darning plate holes.

Use the darning plate in the following ways: Darning (P. 22)  
Button Sewing (P. 26)

### • Darning



#### Here's How

1. Put the darning plate on the needle plate (see p. 22).
2. Remove presser foot and stretch fabric between embroidery hoops with hole centered.
3. Draw the bobbin thread up through the fabric by holding the top thread and taking one stitch at the spot where you wish to start darning.
4. Lower the presser bar and sew at a slow speed.
5. Move the fabric back and forth slowly until you have covered the darning area.
6. Turn the fabric a half turn and sew another layer of stitching over the first layer.

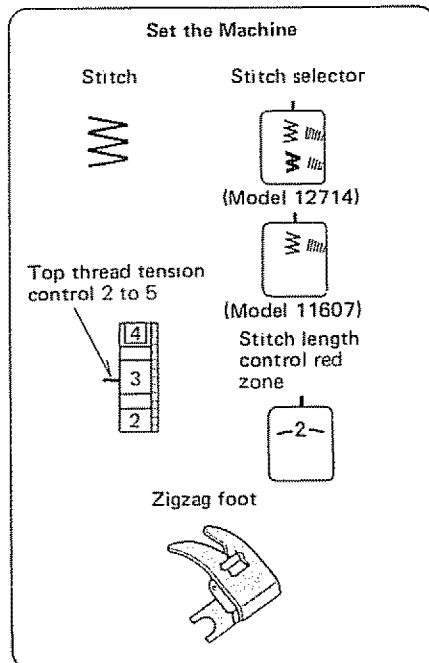
**NOTE:** If your fabric is thin or badly damaged, use a separate piece of fabric under the hole to reinforce it.

7. When you finish darning, remove the darning plate.



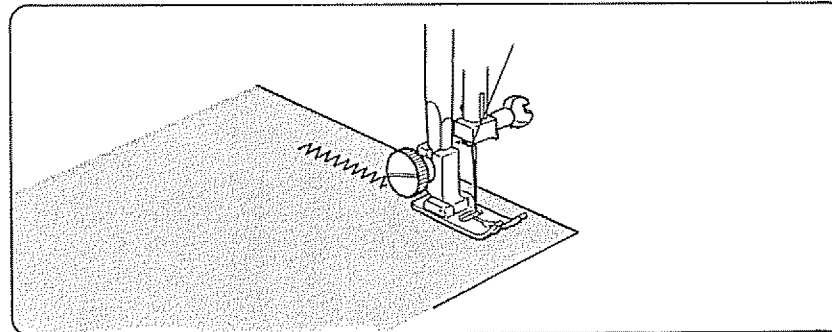
## Zigzag Stitches

- Basic Zigzag



### The Stitch and Its Uses

The zigzag stitch is one of the most common and most versatile stitches on your machine. It can be a utility stitch for sewing buttons, buttonholes, hemming, overcasting, mending and darning. It can also be used to decorate with trims, appliques and cut-out work or as a decorative stitch.



### Here's How

There are many ways to sew a zigzag stitch.

Consult the specific variations for detailed directions.

Satin Stitch p. [24](#)

Applique Work p. [25](#)

Bar Tacking p. [25](#)

Button Sewing p. [26](#)

Overcasting p. [27](#)

Three-step zigzag p. [28](#)

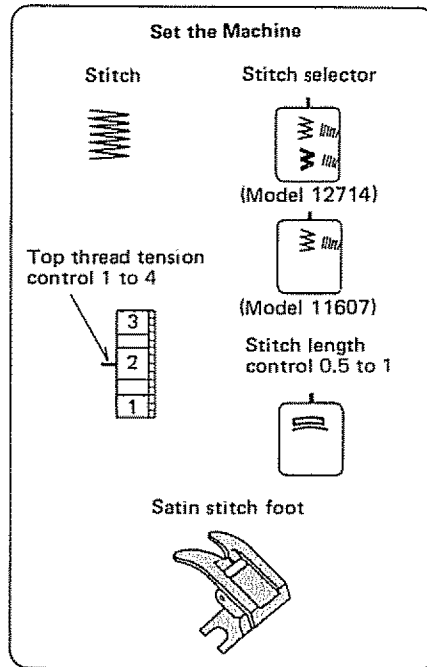
Rick-rack stretch p. [31](#)

Overcast stretch p. [32](#)

Serging p. [33](#)

## SECTION 3. LEARN THE STITCHES

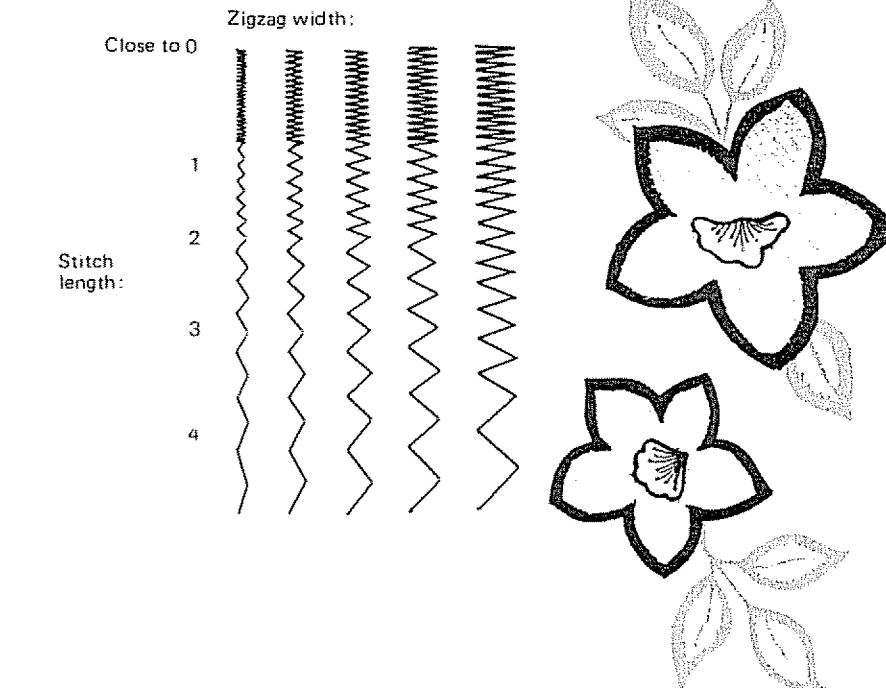
### • Satin Stitch



#### The Stitch and Its Uses

The Satin stitch is a versatile and often used decorative stitch, but it can also be used to overcast a raw edge (for example, blankets, linens, tablecloths and napkins).

The Satin stitch is especially attractive in applique.




#### Here's How


Once your machine is set up to stitch, you may want to experiment on a scrap of the fabric you are planning to use. Too tight a satin stitch may pucker some light weight fabrics.


Zigzag Stitches (Continued)


• Applique


**Set the Machine**


Stitch 

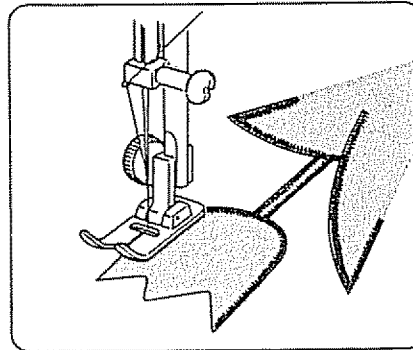
Stitch selector   
(Model 12714)

  
(Model 11607)

Top thread tension control 1 to 4 

Stitch length control 0.5 to 1 

Zigzag foot 





Baste (or fuse with iron-on fabric joiner) applique pieces on the fabric. Stitch around the applique making sure the needle falls along the outer edge of the applique.


When sewing corners, lower the needle down into the fabric. Raise the presser foot and pivot the fabric to the right or left.

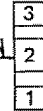
• Bar Tacking


**Set the Machine**

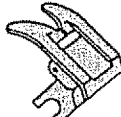
Stitch 

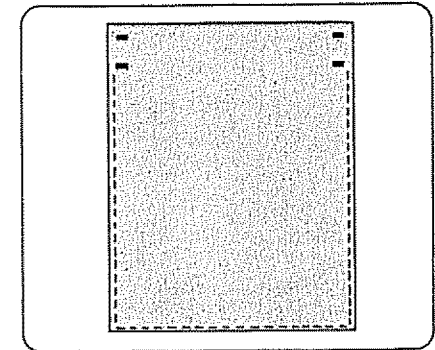
Stitch selector   
(Model 12714)

  
(Model 11607)

Top thread tension control 1 to 4 

Stitch length control 0.5 to 1 

Satin stitch foot 

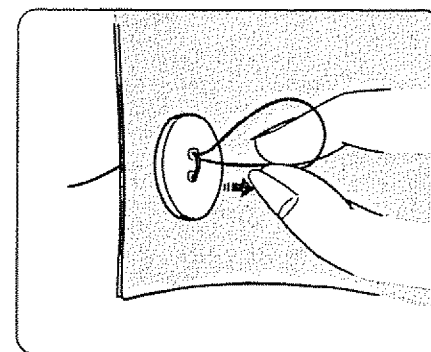
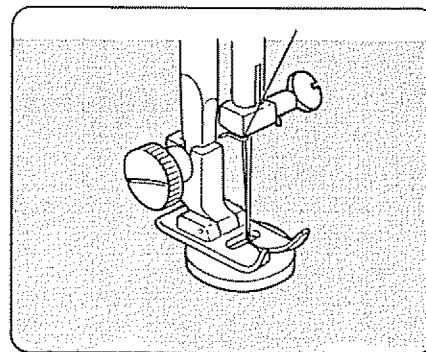
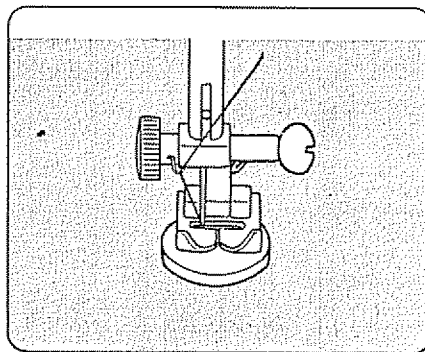
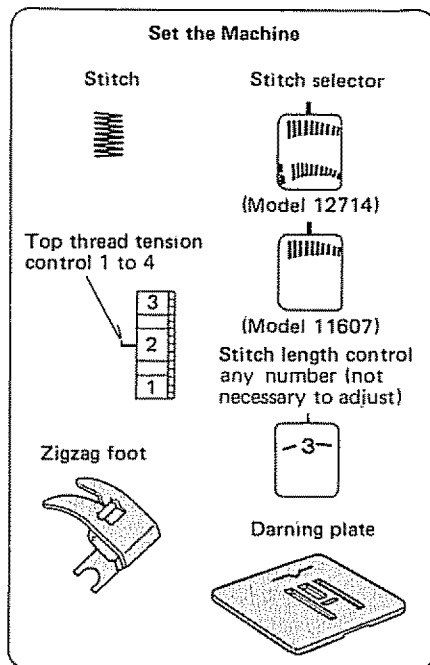


This stitch is similar to a very short satin stitch and is used to reinforce points of strain such as corners or pockets and straps on lingerie.

Sew 4 to 6 zigzag stitches.

## SECTION 3. LEARN THE STITCHES

### • Sew a Button



Use the darning plate for button sewing (see p. 22).

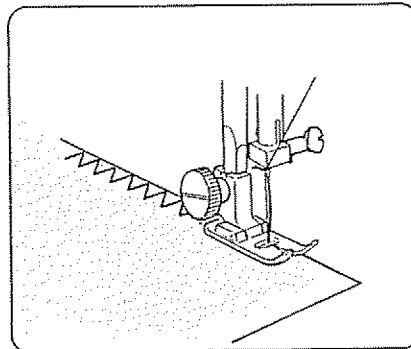
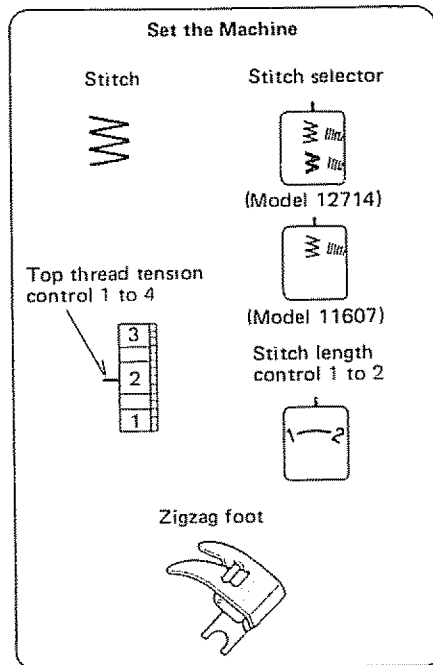
1. Set the stitch selector at " 3 ".
2. Align both holes of the button with the slot of the foot and place the left hole of the button just below the needle point.
3. Lower the foot and turn the stitch selector to zigzag until the needle point comes just above the right hole of the button.
4. Sew about five stitches and raise needle.
5. Set the stitch selector at " 3 " again and sew a few stitches to lock thread.

To strengthen the shank, cut the threads leaving a 20 cm (8") tail. Bring the needle thread down through the hole in the button and wind it around the shank.

Draw the thread to the bottom side and knot.

**Zigzag Stitches (Continued)**

• **Overcasting Stitch**



Helpful Hints

Start overcasting about 1/8" inside the raw corner of your seam. If you start right at the edge, the fabric will bunch up and the stitches will become tangled.

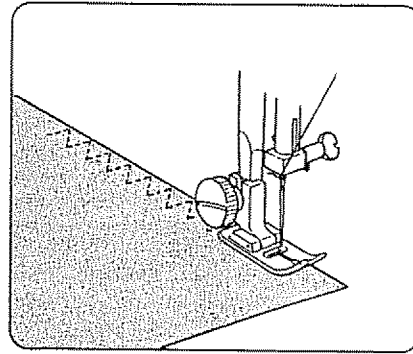
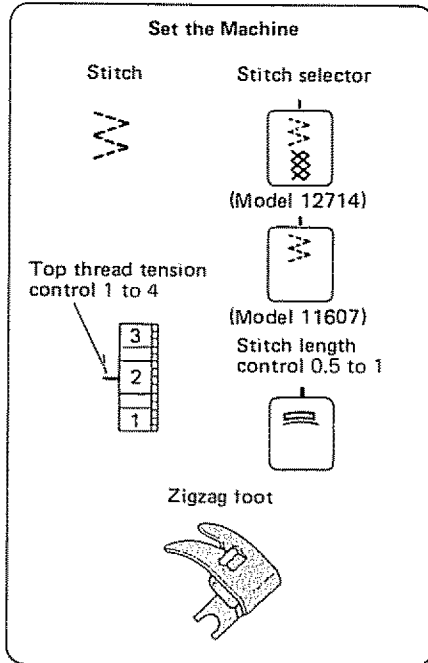
The Stitch and Its Uses

This zigzag variation is very useful in garment construction and in finishing raw edges of any sewing project.

## SECTION 3. LEARN THE STITCHES

### Zigzag Stitches (Continued)

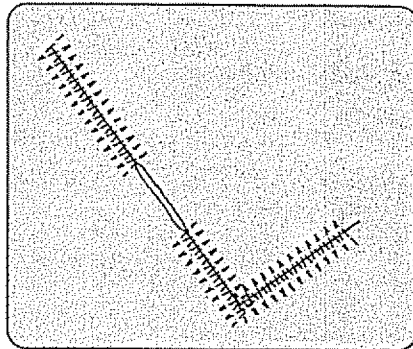
#### • Three-Step Zigzag



#### Seam Finishing

Place the fabric under the presser foot so that the edge will be slightly inside the right hand side of the presser foot.

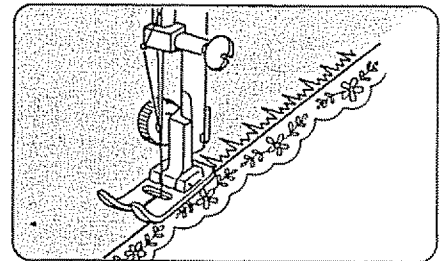
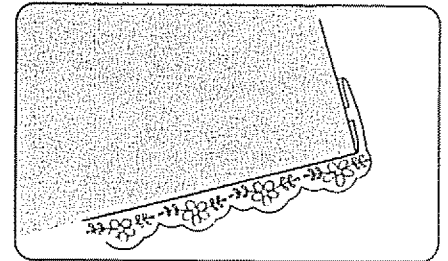
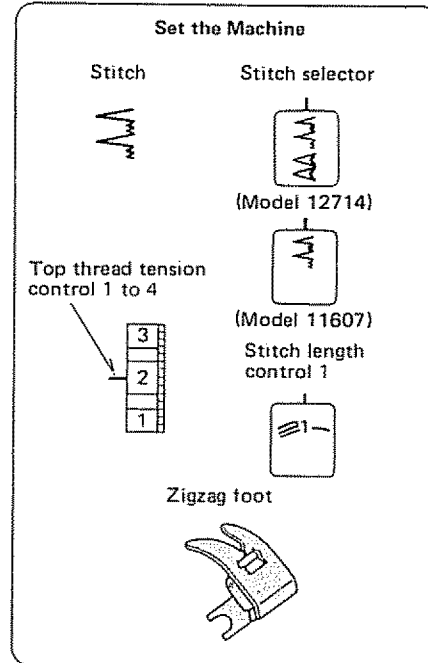
Guide the work so the right hand stitches fall at the edge of the fabric.



#### Mending

Position the tear under the needle so that the stitching will catch both sides.

#### • Lace Work



Lace adds a fanciful, feminine touch to blouses and lingerie. Table linens and pillows become more elegant when trimmed with lace.

Turn raw edge of fabric under at least 1/2". Place lace underneath and top-stitch using stretch blind hem stitch.

Trim excess fabric close to stitching.

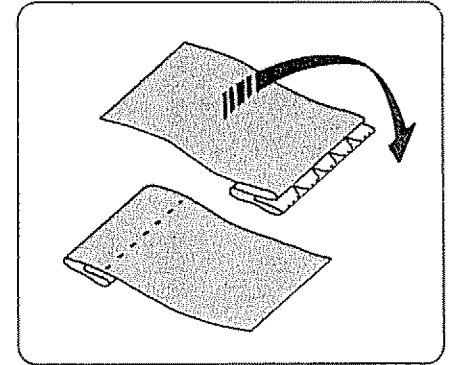
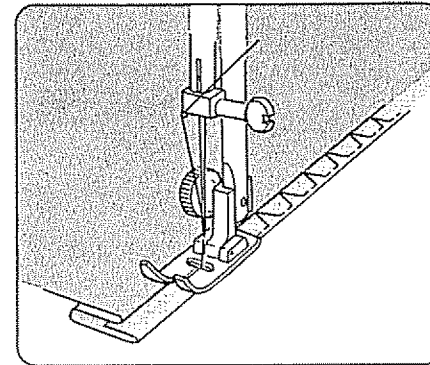
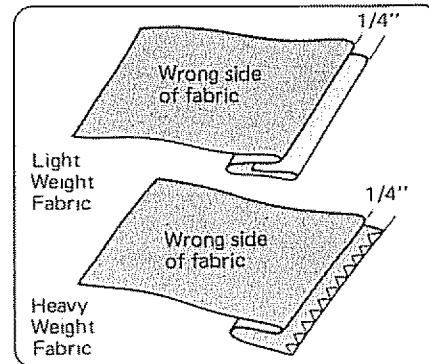
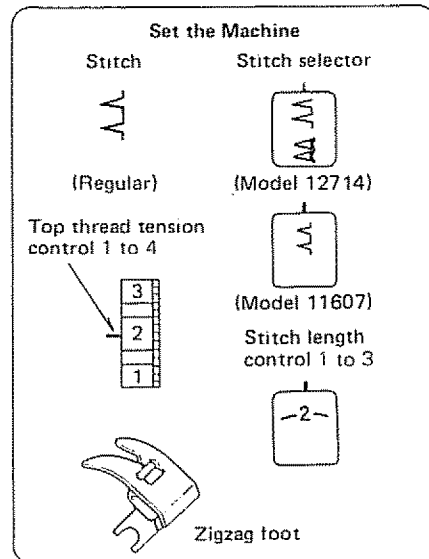
#### The Stitch and Its Uses

The three-step zigzag is a combination zigzag and straight stitch. You may use the three-step zigzag everywhere you would use the basic zigzag stitch. It has more strength, elasticity, and is flatter than a regular zigzag.

The three-step zigzag stitch is especially useful for:

- mending
- sewing patches smoothly and securely.
- repairing straight tears.
- finishing seams.

## • Blind Hemming



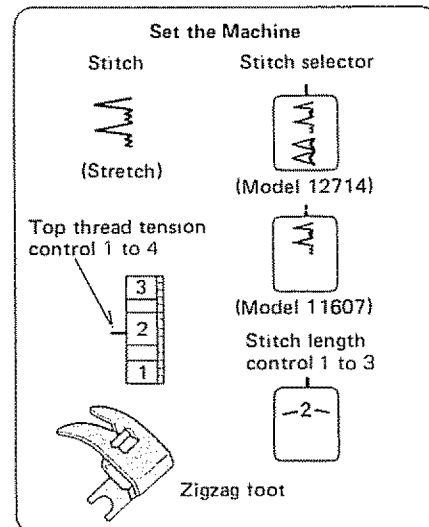
There are two blind hem stitches on your machine. The regular blind hem is used for woven fabrics. The stretch blind hem is wider and will "give" and is used for knit and stretch fabrics.

1. Finish the raw edge of your hem any way you desired. (See Overcasting, p. 27)
2. Measure, turn up your hem and pin.

NOTE: For light weight fabrics, you may need a double fold.

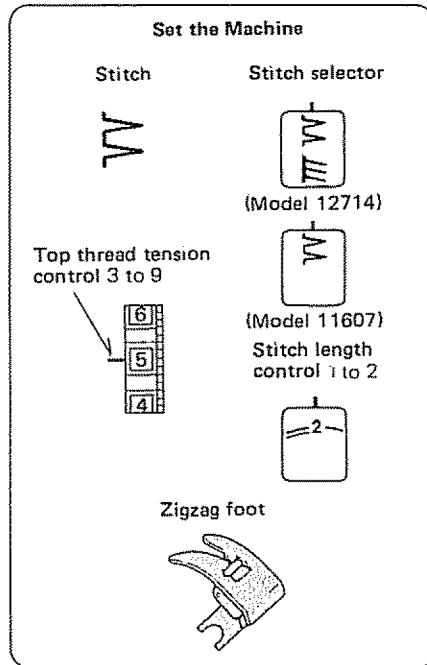
3. Fold the material (wrong side out) on the edge to be stitched, as shown, leaving 1/4" of the finished hem edge showing.
4. Place garment under presser foot in such a manner that straight stitches will be sewn on extended edge. The zigzag stitch should just catch the fold of the garment.
5. After hemming, press both sides of the finished hem. The top side of the garment will show only the blind stitches.

NOTE: The blind hem stitch also can be used for Lace Work. (See p. 28)



## SECTION 3. LEARN THE STITCHES

### • Shell Stitching

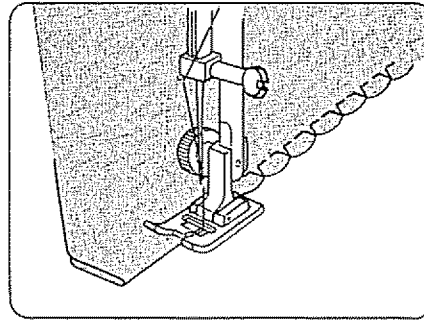


#### The Stitch and Its Uses

The Shell Stitch is formed by sewing a blind hem over folded fabric. Several rows of shell stitching are called shell tucks.

Shell stitching can be used to finish hems, sleeve and neck openings.

Shell tucking can be used to create scalloped tucks on blouses and lingerie.

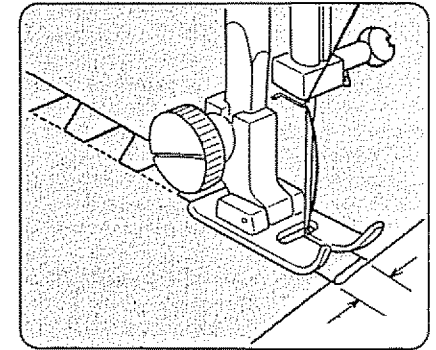
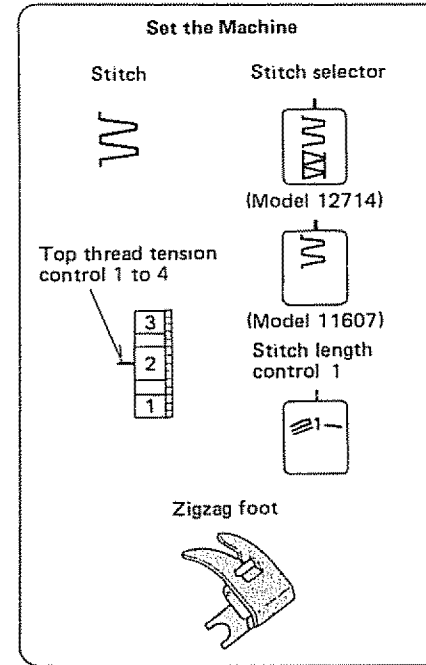


#### Here's How

- For best effect:
  - set the stitch length as you desire.
  - you may need to tighten the top thread tension slightly.
  - allow the needle to just clear the folded edge of the fabric when it zigzags.
- If you sew rows of shell stitches, space the rows 1/2" apart.

You can sew Shell Stitch on knits or soft silky wovens in any direction.

### • Box Stitching



Use this stitch to join heavy weight interlining.


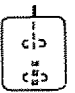
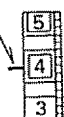


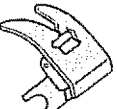
Overlap two raw edges together and use this stitch to join them.



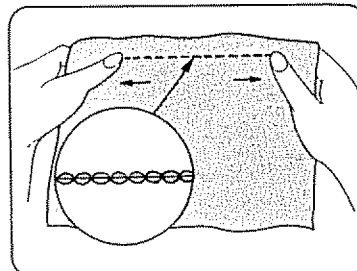
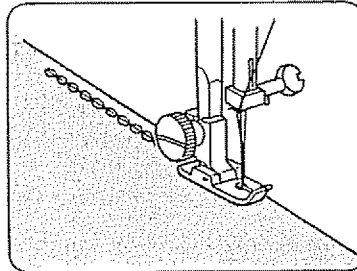
Stretch Stitches (Model 12714 only)

• Straight Stretch (Model 12714 only)

**Set the Machine**

Stitch 	Stitch selector 
Top thread tension control 2 to 6 	Stitch length control brown stretch stitch position 
Straight foot 	Zigzag foot 

or





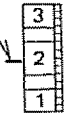


The stretch stitch does not actually stretch as it is being sewn, but is stitched in a forward and back motion (sometimes called a "reverse-action" stitch), so that it will give when the fabric stretches instead of breaking. This stitch can also be used for topstitching on all fabrics.

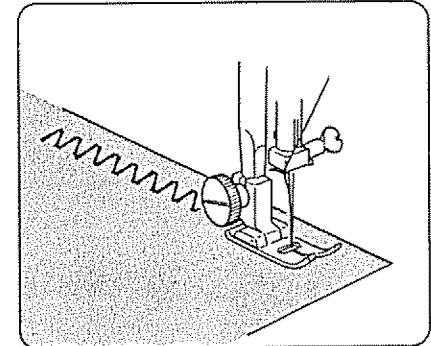
The Stitch and Its Uses

This stitch is the stretch variation of the straight stitch, especially developed for knits and stretch fabrics. Stretch stitch can be used on other fabrics as well. It works well on curved seams and on any garments that will receive a great deal of strain (ie. children's clothes).

• Rick-Rack Stretch (Model 12714 only)

**Set the Machine**

Stitch 	Stitch selector 
Top thread tension control 1 to 4 	Stitch length control brown stretch stitch position 
Zigzag foot 	



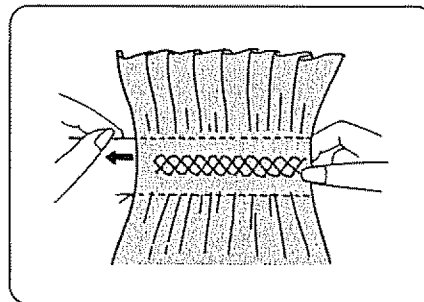
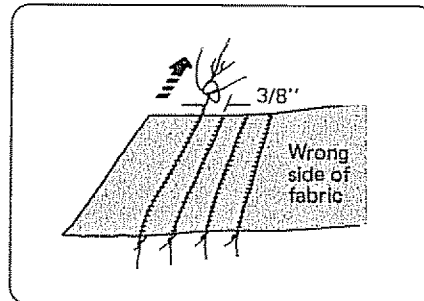
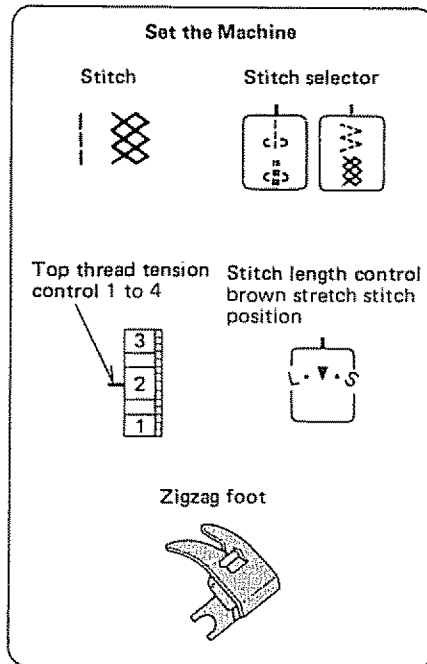
The Stitch and Its Uses

Sew on stretch fabrics in any area that you might use a zigzag stitch.

This stitch can be used as a decorative top stitch as well.

## SECTION 3. LEARN THE STITCHES

### • Smocking (Model 12714 only)

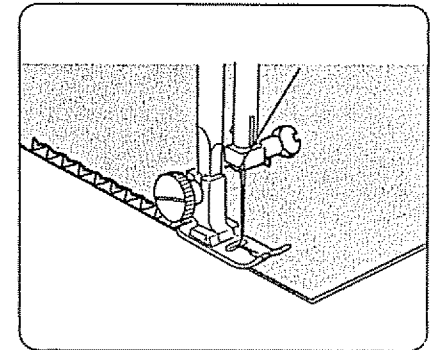
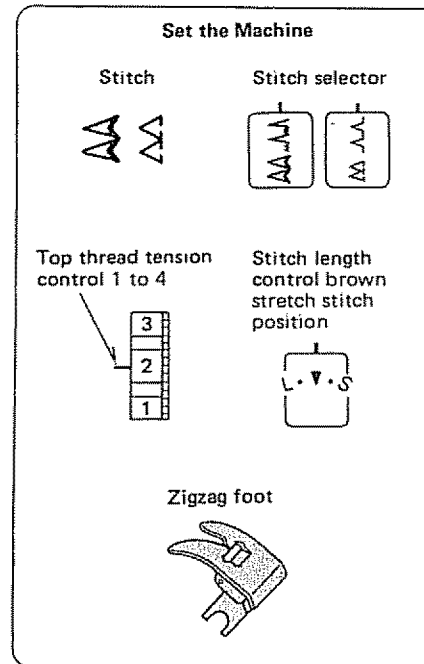


With the stitch length at "4", sew straight stitching lines 3/8" apart across the area to be smocked.

Knot the threads along one edge. Pull the bobbin threads and distribute the gathers evenly. Secure the threads at the other end. Sew the decorative stitch between the gathering stitches. Pull out the gathering stitches.

NOTE: Loosen the top thread tension to make gathering easier.

### • Overcast Stretch Stitching (Model 12714 only)



#### Here's How

Place the raw edge of the fabric to the LEFT of the needle as shown.

Stitch so the needle pierces the fabric just short of the outside edge.

Or, place your fabric to allow a 5/8" seam, then trim seam allowance after.

Raw or worn edges of older garments can be overcast to prevent further raveling.

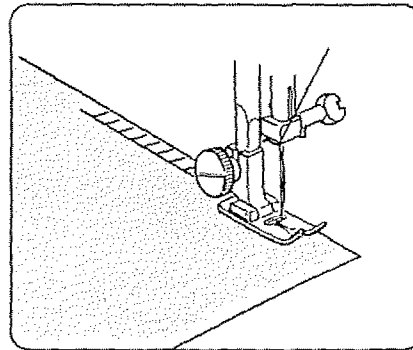
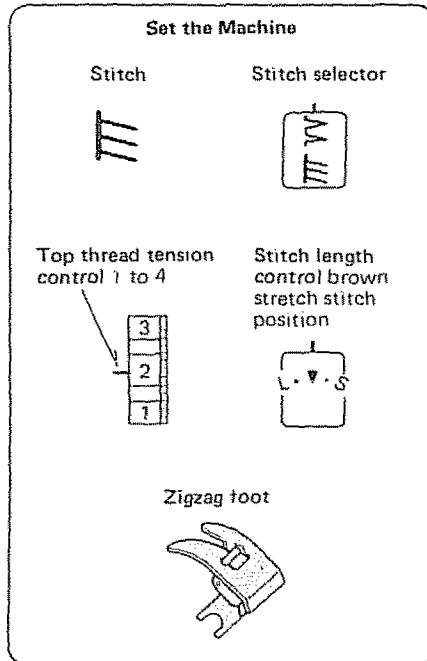
NOTE: Use a blue stretch fabric needle, which effectively prevents skipped stitches.

#### The Stitch and Its Uses

This stitch can be used for sewing a seam with an overcast finish.

The seam is formed and finished in one operation. It can be used when you are making swimwear, ski pants and other garments that require stretch.

• Serging or Pine Leaf Stretch Stitching (Model 12714 only)



Here's How

Place the fabric under the presser foot so that the stitches are made over the edge.

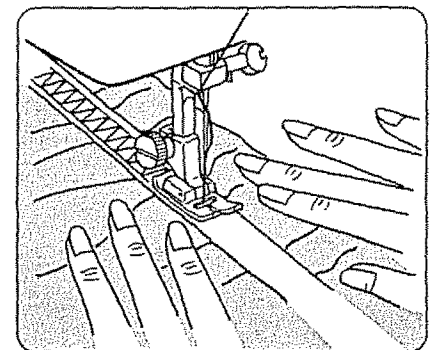
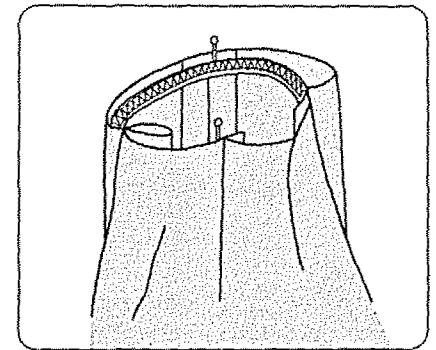
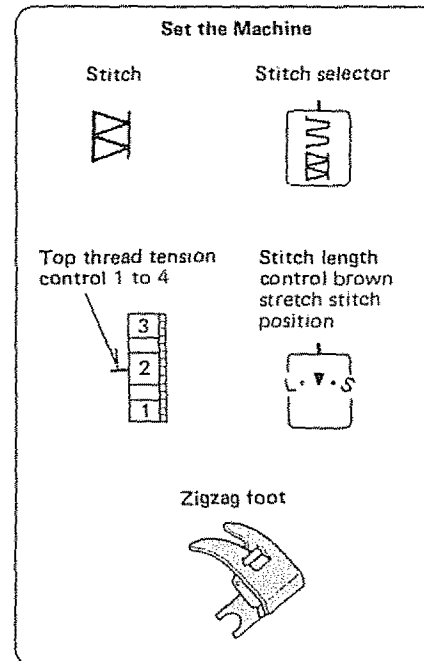
Or, place your fabric to allow a 5/8" seam, then trim seam allowance after.

**NOTE:** When using stretch knit fabric, use a blue stretch fabric needle which effectively prevents skipped stitches.

The Stitch and Its Uses

Use this stitch when you want a narrow seam that you do not need to press open flat. It is ideal for 1/4" seams on knits or on medium to heavyweight woven fabrics where you want a narrow seam. It is also great for making elastic swim wear.

• Elastic Stretch Stitch (Model 12714 only)

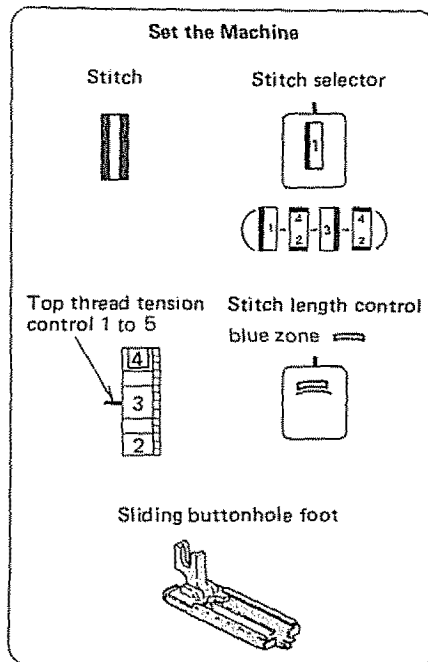


Choose this stitch to attach elastic to garments.

1. Mark the elastic into quarters and match these to the center front, center back and side seams.
2. Place the middle of the elastic under the center of the presser foot and stitch into place, making sure the fabric is evenly distributed.

## SECTION 3. LEARN THE STITCHES

### Buttonholes

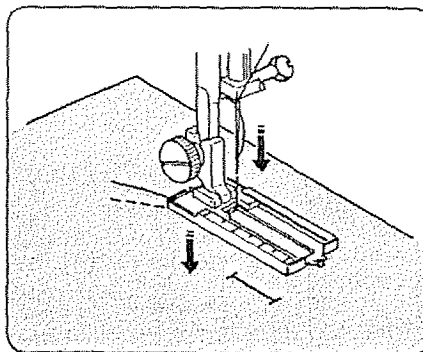


#### Adjusting the Stitch Density

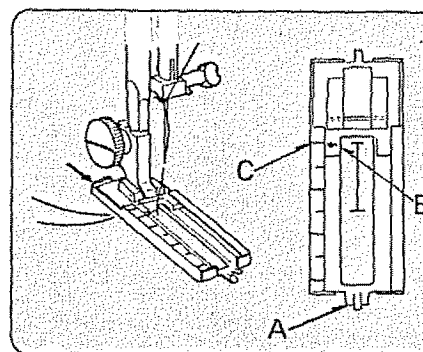
Depending upon your fabric or your own preference in buttonholes, you may alter the buttonhole stitch density within the blue buttonhole range on the stitch length dial.

- ① For more density, turn the dial toward "0".
- ② For less density, turn the dial toward "1".

NOTE: Always make a practice buttonhole on a scrap of fabric you plan to use to find the more suitable stitch length.

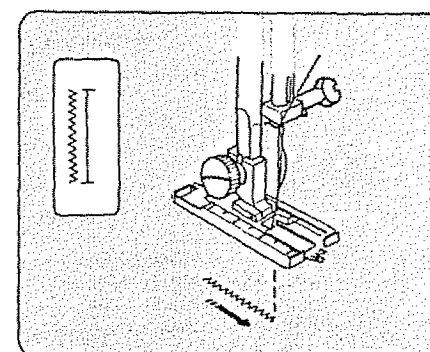


1. a. Carefully mark the buttonhole length on your garment.
- b. Change to the sliding buttonhole foot.
- c. Insert the garment under the foot with the buttonhole marking running toward you.

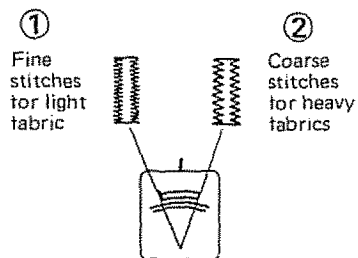


2. a. Move the slider (A) toward you so that the top mark (C) on the slider meets the start mark (B).
- b. Line up the markings on the foot with the top mark on your garment.
- c. Lower the presser foot.

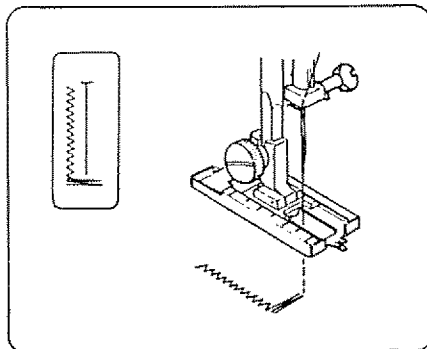
NOTE: The markings on the slider are engraved in centimeters.

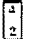


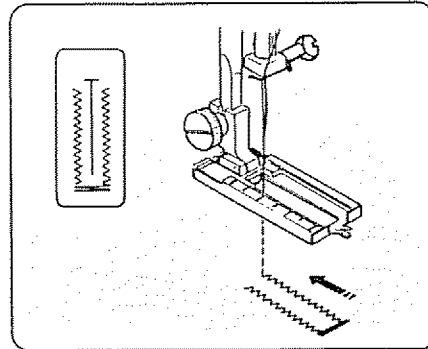
3. a. Set the stitch selector at the buttonhole symbol.
- b. Sew forward until you reach the front marking of your buttonhole.
- c. Stop sewing at the left stitch.




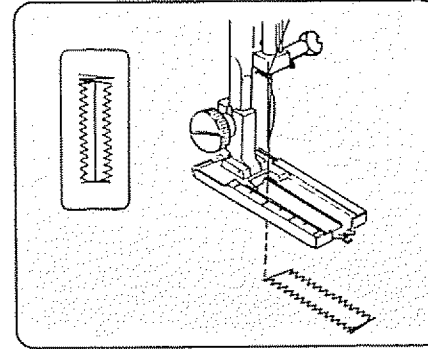
### SECTION 3. LEARN THE STITCHES

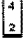


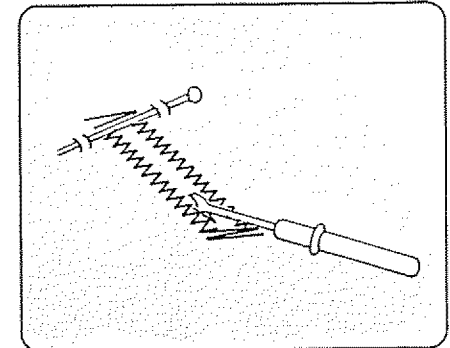
4. a. Set the stitch selector at .
- b. Sew 4 to 6 stitches.
- c. Stop sewing at the right stitch.



5. a. Set the stitch selector at .
- b. Sew until you reach the back marking of the buttonhole.
- c. Stop sewing at the right stitch.







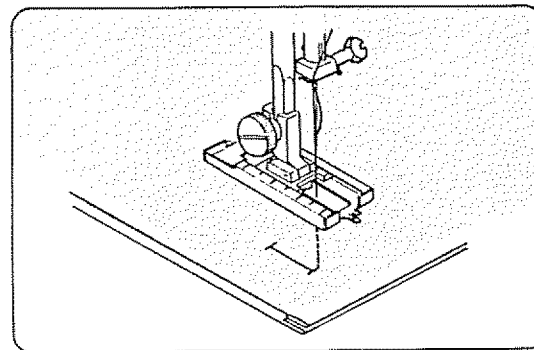
6. a. Set the stitch selector at .
- b. Sew 4 to 6 stitches.
- c. Stop sewing at the left stitch.



7. Remove the fabric and cut the hole open with the buttonhole opener.

#### NOTE:

When sewing at the edge of fabric, set sliding buttonhole foot as illustrated and sew in reverse (  →  →  →  ).



## SECTION 4. PERFORMANCE PROBLEMS CHART

### What to Do When

PROBLEM	PROBABLE CAUSE	CORRECTION
Skipping Stitches	<p>Incorrect size needle.                      Bent or blunt needle.                      Incorrect setting of needle.                      Tight upper thread tension.</p>	<p>Choose correct size needle for thread and fabric.                      Insert new needle.                      Reset needle.                      Loosen upper thread tension.</p>
Breaking Upper Thread	<p>Starting to stitch too fast.                      Improper threading.                      Tight upper thread tension.                      Incorrect size needle.                      Sharp eye in needle.                      Nicks or burrs on shuttle.                      Nicks or burrs at hole of needle plate.</p>	<p>Start to stitch at a medium speed.                      Rethread machine.                      Loosen upper thread tension.                      Choose correct size needle for thread and fabric.                      Insert new needle.                      Replace shuttle, or polish off burrs completely.                      Replace needle plate, or polish off burrs completely.</p>
Breaking Bobbin Thread	<p>Improper bobbin case threading.                      Lint in bobbin case or shuttle.</p>	<p>Check bobbin case threading.                      Clean bobbin case and shuttle.</p>
Fabric not Moving	<p>Darning plate in place.                      Stitch Length set at 0.                      Thread knotted under fabric.</p>	<p>Remove darning plate.                      Adjust Stitch Length Control.                      Place both threads back under presser foot before beginning to stitch.</p>
Machine Jamming Knocking Noise	<p>Thread caught in shuttle.                      Lint in bobbin case or shuttle.</p>	<p>Disassemble and clean shuttle.                      Clean bobbin case and shuttle.</p>

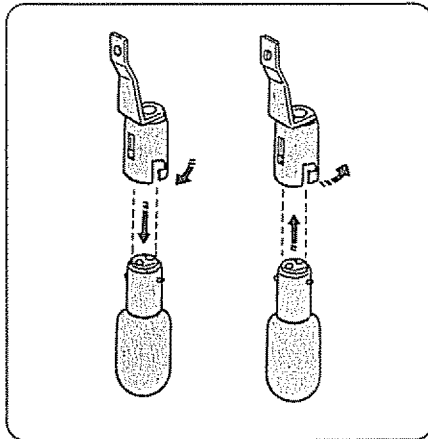
## SECTION 4. PERFORMANCE PROBLEMS CHART

## What to Do When (Continued)

PROBLEM	PROBABLE CAUSE	CORRECTION
Irregular Stitches	<p>Incorrect size needle.            Improper threading.            Loose upper thread tension.            Pulling fabric.            Loose presser foot.            Unevenly wound bobbin.            Nicks or burrs at hole of needle plate.</p>	<p>Choose correct size needle for thread and fabric.            Rethread machine.            Tighten upper thread tension.            Do not pull fabric; guide it gently.            Reset presser foot.            Rewind bobbin.            Replace needle plate, or polish off burrs completely.</p>
Breaking Needle	<p>Pulling fabric.            Incorrect size needle.            Incorrect setting of needle.            Loose presser foot.</p>	<p>Do not pull fabric; guide it gently.            Choose correct size needle for thread and fabric.            Reset needle.            Reset presser foot.</p>
Bunching of Thread	<p>Upper and lower threads not drawn back under presser foot before starting seam.</p>	<p>When starting a seam be sure to draw both threads under and back of presser foot about 4" and hold until a few stitches are formed.</p>
Puckering	<p>Incorrect thread tension(s).            Using two different sizes or kinds of thread.            Bent or blunt needle.            Loose presser foot.            Fabric very sheer or very soft.</p>	<p>Reset thread tension(s).            Upper thread and bobbin thread should be same size and kind.            Insert new needle.            Reset presser foot.            Use underlay of tissue paper.</p>

## SECTION 5. CARE FOR THE MACHINE

### Replacing the Light Bulb



1. Unplug the machine and open the face cover.

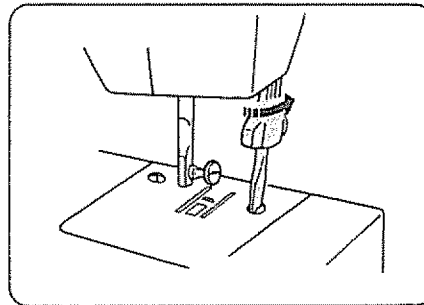
**CAUTION!** The light bulb could be HOT. Protect your fingers when you handle it.

2. Push the bulb up and turn the bulb counter-clockwise to remove it.
3. Put the new bulb in by pushing it up and turning it clockwise.

### Cleaning the Machine

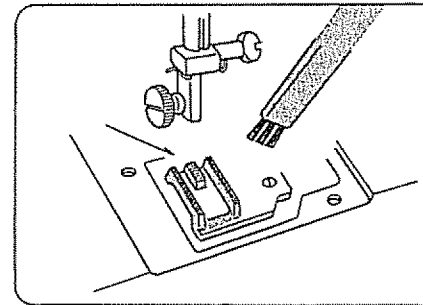
To insure that your machine operates at its best, you need to keep the essential parts clean at all times. The feed dogs and shuttle race areas can attract dust and lint. Your machine can become sluggish or knock loudly if a thread is caught. Check and clean those areas about every three months under normal use. If you sew frequently, clean more often.

#### • Clean the Feed Dogs

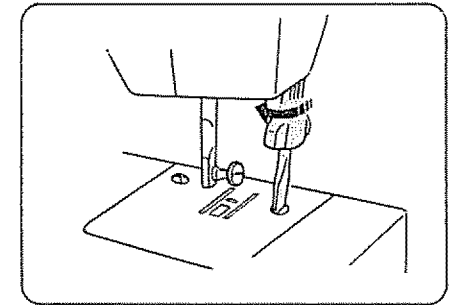


Follow these directions:

1. Unplug the machine. Remove presser foot and needle. Using a screw driver, remove needle plate.



2. Use a lint brush to clean the feed dogs.

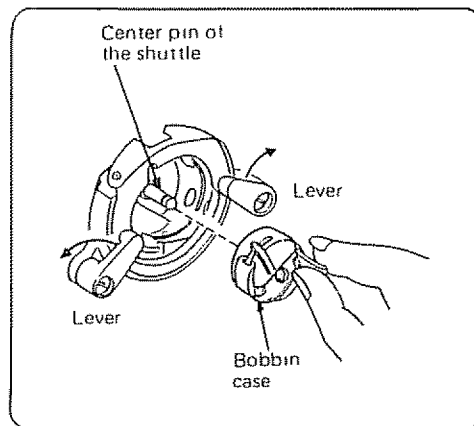


3. Replace needle plate.



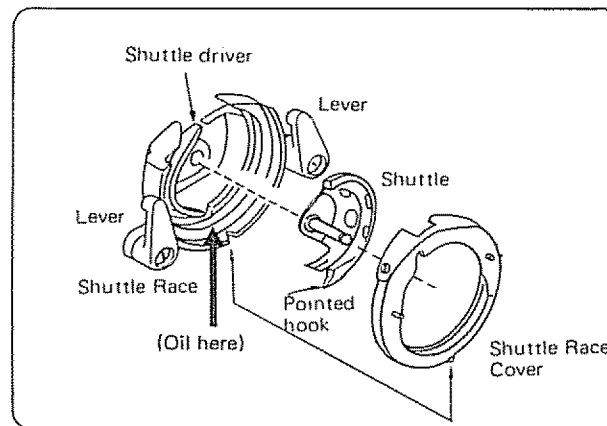
- Clean the Shuttle Race

This area must be kept free of dust, lint and occasional tangled thread. Clean the shuttle race area about every three months.



To Clean the Shuttle Area:

1. Raise the needle bar to its highest point and remove the bobbin case.
2. Push shuttle race levers aside. Lift shuttle race cover and take shuttle out.
3. Clean the shuttle race with a lint brush.
4. Put a drop of oil on the center pin of the shuttle and shuttle race. Do not over-oil.



To Replace Shuttle Assembly:

1. Position shuttle race as illustrated so that shuttle driver is forming half moon on the left side of the machine.
2. Hold shuttle by center pin and position shuttle so as to form a half moon on the right side. Pointed hook will be on the bottom.
3. Place shuttle race cover into place over shuttle assembly.
4. Snap the levers back into the original position.

## SECTION 5. CARE FOR THE MACHINE

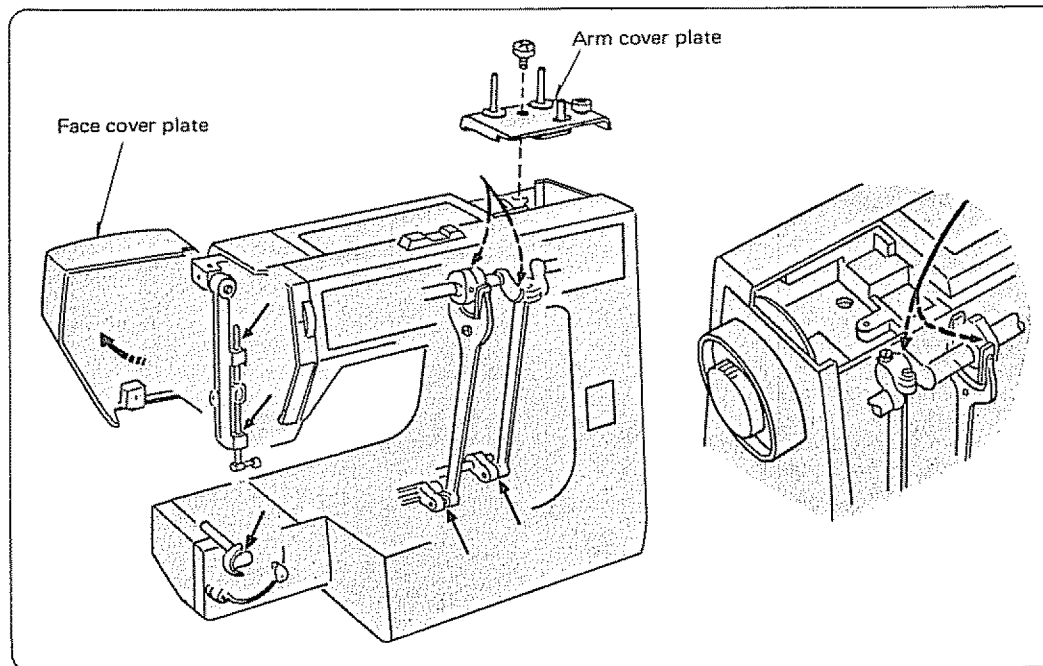
### Oiling the Machine

Oil the machine in all areas shown on this page at least once a year; otherwise the machine can become sluggish or will knock loudly. If you use the machine frequently, oil the machine under the top cover about every three months. In case machine is not used for an extended time, oil it before sewing. Use good quality sewing machine oil. One or two drops of oil is sufficient. Remove excess oil, otherwise it may stain fabric.

Kenmore sewing machine oil is available at your nearest Sears retail store.

NOTE: Unplug the machine before oiling. Remove needle and put needle bar in full down position.

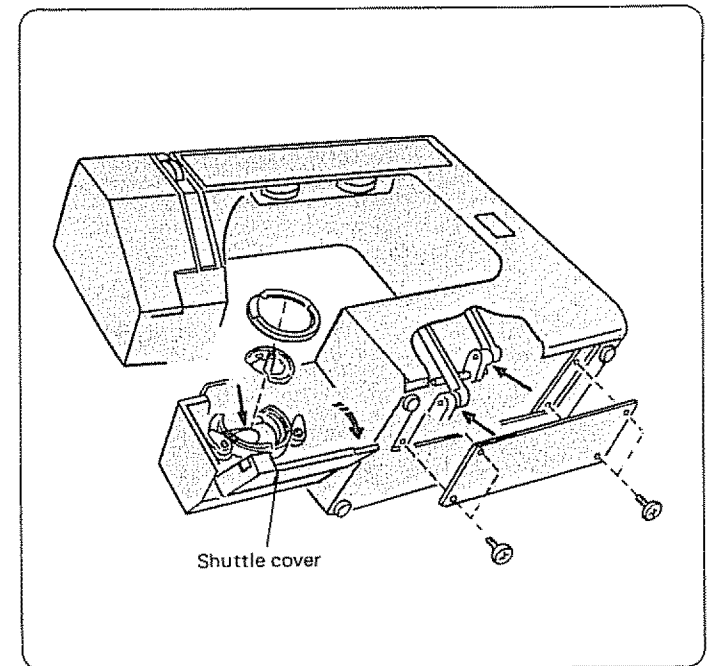
#### • Oil behind the Face Cover Plate and under the Arm Cover Plate



Open face cover plate and/or remove arm cover plate by loosening top screw to oil points in illustration.

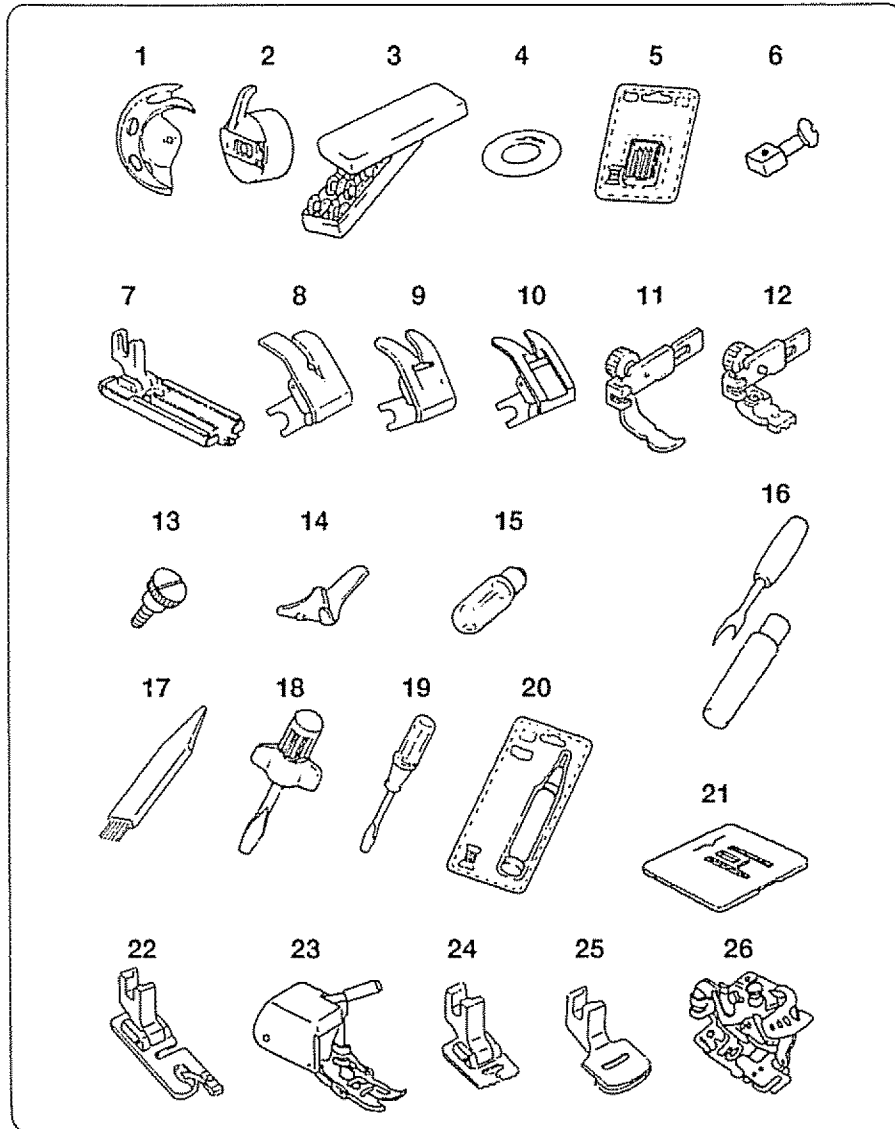
Use only a drop of oil; do not over-oil.

#### • Oil the Underside



Open the shuttle cover by pulling down the embossed part on the left side of the cover. Tilt the machine head back and remove bottom cover. Oil points in illustration.

## PARTS LIST



All parts listed herein may be ordered from any Sears store or service center.

WHEN ORDERING REPAIR PARTS, ALWAYS GIVE THE FOLLOWING INFORMATION:

- |                 |                     |
|-----------------|---------------------|
| 1. PART NUMBER  | 2. PART DESCRIPTION |
| 3. MODEL NUMBER | 4. NAME OF ITEM     |

If the parts you need are not stocked locally, your order will be electronically transmitted to a Sears Repair Parts Distribution Center for expedited handling.

Ref. No.	Part No.	Description
1	532096007	Shuttle
2	647515006	Bobbin case
3	*102869004	Bobbin box with 10 bobbins
4	647018004	Bobbin winder rubber ring
5	813404013	No. 11 Stretch fabric needles (BLU)
	647814020	No. 11 Single needles (ORG)
	647814031	No. 14 Single needles (RED)
	647814042	No. 16 Single needles (PUR)
	647814053	No. 18 Single needles (GRN)
6	801506008	Needle clamp with screw
7	648801108	Sliding buttonhole foot
8	650802014	Straight stitch foot
9	735503018	Standard zigzag foot
10	647807008	Satin stitch foot
11	593401008	Zipper foot
12	*6757	Zipper foot
13	647112009	Thumb screw
14	*6864	Needle threader
15	000009803	Light bulb
16	647808009	Buttonhole opener
17	802424004	Lint brush
18	820832005	Large screw driver
19	647803004	Small screw driver
20	*6889	Oil and lint brush
21	735801008	Darning plate
22	*200012104	Hemmer foot
23	*214872000	Walking foot
24	*941450000	Pin-tuck foot
25	*941460000	Gathering foot
26	*941620000	Ruffler

\* These items are not furnished with the machine, but may be ordered per instructions above.

## INDEX

### A

Accessory storage box . . . . . 3, 7  
 Adjusting stretch stitch balance . . . . . 16  
 Applique . . . . . 25  
 Arm cover plate . . . . . 4, 40

### B

Bar tacking . . . . . 25  
 Basic zigzag . . . . . 23  
 Blind hemming . . . . . 29  
 Bobbin . . . . . 4, 9~10, 41  
 Bobbin case . . . . . 9~10, 39, 41  
 Bobbin thread . . . . . 12~13  
 Bobbin winding . . . . . 9~10  
 Bobbin winding tension disc . . . . . 3, 10  
 Bobbin winding spindle . . . . . 3, 10  
 Box stitching . . . . . 30  
 Buttonhole . . . . . 34~35  
 Buttonhole opener . . . . . 4, 35, 41  
 Button sewing . . . . . 26

### C

Cabinet . . . . . 3  
 Carrying handle . . . . . 4  
 Changing needle . . . . . 7  
 Changing presser foot . . . . . 7  
 Cleaning feed dogs and shuttle race . . . . . 38~39  
 Clutch knob . . . . . 4, 9, 10  
 Cording . . . . . 21  
 Cornering guide . . . . . 18

### D

Darning . . . . . 22  
 Darning plate . . . . . 4, 22, 26, 41

### E

Elastic stretch stitch . . . . . 33  
 Extension table . . . . . 3, 7

### F

Fabric, needle, thread and stitch  
 length chart . . . . . 8

Face cover plate . . . . . 3, 40  
 Feed dogs . . . . . 38  
 Foot control . . . . . 4~5  
 Free arm sewing . . . . . 7

### H

Hand wheel . . . . . 4, 17

### I

Invisible zipper . . . . . 21

### L

Lace work . . . . . 28  
 Large screw driver . . . . . 4, 41  
 Light and power switch . . . . . 4~5  
 Light bulb . . . . . 5, 38, 41  
 Lint brush . . . . . 4, 38, 41

### N

Needle . . . . . 4, 7~8, 41  
 Needle clamp screw . . . . . 4, 7, 41  
 Needle plate . . . . . 3, 38  
 Needle, thread and fabric chart . . . . . 8

### O

Oiling . . . . . 40  
 Overcasting stitch . . . . . 27  
 Overcast stretch stitching . . . . . 32

### P

Parts list . . . . . 41  
 Performance problems chart . . . . . 36~37  
 Pine leaf stretch stitching . . . . . 33  
 Plug connector . . . . . 4~5  
 Portable case . . . . . 3  
 Power switch . . . . . 5  
 Presser foot . . . . . 4  
 Presser foot lever . . . . . 4, 6

### R

Replacing bobbin case . . . . . 9~10  
 Reverse stitch control . . . . . 3, 14  
 Rick rack stretch . . . . . 31

### S

Satin stitch foot . . . . . 4, 24, 41  
 Satin stitch . . . . . 24  
 Seam guides . . . . . 18  
 Serging . . . . . 33  
 Sewing light . . . . . 5  
 Shell stitching . . . . . 30  
 Shuttle . . . . . 39, 41  
 Shuttle cover . . . . . 3, 9  
 Shuttle race . . . . . 39  
 Sliding buttonhole foot . . . . . 4, 34~35, 41  
 Small screw driver . . . . . 4, 41  
 Smocking . . . . . 32  
 Spool pin . . . . . 3, 6  
 Stitch length control . . . . . 3, 16  
 Stitch selector . . . . . 3, 15  
 Straight stitch . . . . . 18~22  
 Straight stitch foot . . . . . 4, 18~19, 31  
 Straight stretch . . . . . 31

### T

Thread cutter . . . . . 3, 6  
 Thread guide . . . . . 3  
 Thread take-up lever . . . . . 3, 11  
 Thread tensions . . . . . 13~14  
 Three-step zigzag . . . . . 28  
 Topstitching . . . . . 19  
 Top thread . . . . . 11~14  
 Top thread tension . . . . . 13~14  
 Top thread tension control . . . . . 3  
 Turn a square corner . . . . . 18

### Z

Zigzag foot . . . . . 18~19, 23, 25~33, 41  
 Zigzag stitches . . . . . 23~30  
 Zipper application . . . . . 20~21  
 Zipper foot . . . . . 4, 20~21, 41

**OPTIONAL FEET AND ATTACHMENT (SEWING MACHINE SOURCE 385)**

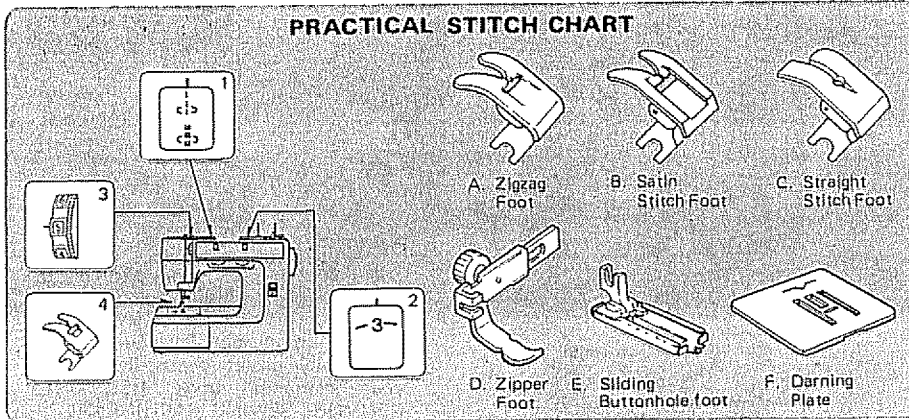
(A) SEWING MACHINE MODEL NO.	(B) SEWING MACHINE PART NO.	(C) PART DESCRIPTION
10111, 11541, 11551, 11581, 11607, 11682, 12320, 12321, 12331, 12332, 12490, 12491, 12492, 12493, 12541, 12581, 12641, 12712, 12714, 12741, 12781, 12841, 16951, 17622, 17781, 17881,	200012104 214872000  941450000 941460000 941620000	Hemmer Foot Walking Foot (Even Foot) Pin-Tuck Foot Gathering Foot Ruffler
15841, 16841, 17641, 17824, 17922, 17928,	200002008 200003009 200005001 200013105 200027102 200030108 214872000 654805008 941620000	Piping Foot Gathering Foot Pin-Tucking Foot Hemmer Foot Binder Foot 1/4" Seam Foot Walking Foot Embroidery Foot Ruffler
18836, 18841, 19150, 19501, 19502, 19601,	200002008 200003009 200005001 200013105 200027102 200028103 200029104 200030108 200031109 200032100 214872000 654805008 941620000	Piping Foot Gathering Foot Pin-Tucking Foot Hemmer Foot Binder Foot Roller Foot Teflon Foot 1/4" Seam Foot Applique Foot Cording Foot Walking Foot Embroidery Foot Ruffler
15641, 16641,	ML-330555 200201009 200209100 200210104  200212106 340522N	Elastic Foot Piping Foot Blind Hem Foot Taping Foot With Tape Reel Cording Foot Pearl Sewing Foot

All parts listed above may be ordered by calling Sears Teleparts Center at 1(800)366-7278

When ordering repair parts, always give the following information.

1. Part Number (SEE COLUMN B)
2. Part Description (SEE COLUMN C)
3. Model Number of Sewing Machine: Example (385 . xxxxx)
4. Name of Item (SEWING MACHINE)

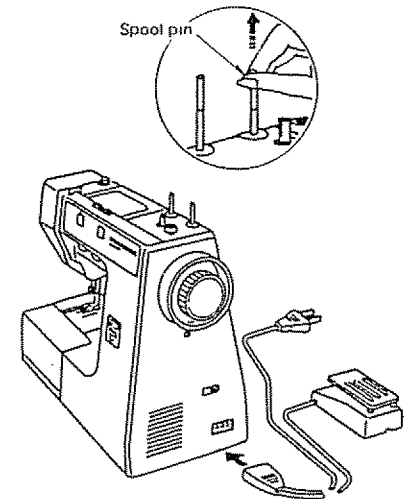
If the parts you need are not stocked locally, your order will be electronically transmitted to the Sears Parts Distribution Center for expedited handling.



# Kenmore Sewing Machine 11607, 12714

## SETTING UP YOUR MACHINE

1. You'll find the spool pin on the top cover. Pull up the spool pin.
2. Plug foot control into machine receptacle. Then connect cord into any 110 ~ 120 volt A.C. wall outlet.
3. Your Kenmore sewing machine has been thoroughly oiled at the factory. Be sure to wipe off the needle plate area, bed plate and shuttle carefully before sewing a garment. It is wise to practice on a scrap of fabric so any surplus oil is absorbed.



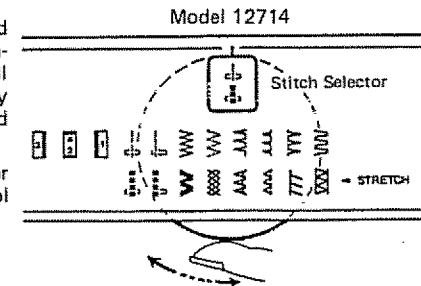
STITCH	1. SELECTOR	2. LENGTH CONTROL	3. TENSION CONTROL	4. PRESSER FOOT ETC.
STRAIGHT		RED ZONE	2 TO 6	A or C
DARNING		ANY NUMBER	1 TO 4	F
ZIGZAG		RED ZONE	2 TO 5	A
SATIN		0.5 TO 1.0	1 TO 4	A or B
BUTTON SEWING		ANY NUMBER	1 TO 4	A and F
THREE-STEP ZIGZAG		0.5 TO 1.0	1 TO 4	A
BLIND (STRETCH)		1 TO 3	1 TO 4	A
BLIND		1 TO 3	1 TO 4	A
SHELL		1 TO 2	3 TO 9	A
BOX		1	1 TO 4	A
STRAIGHT STRETCH *		▼ BROWN POSITION	2 TO 6	A or C
RICK-RACK *		▼ BROWN POSITION	1 TO 4	A
SMOCKING *		▼ BROWN POSITION	1 TO 4	A
OVERCAST *		▼ BROWN POSITION	1 TO 4	A
OVERCAST *		▼ BROWN POSITION	1 TO 4	A
SERGING *		▼ BROWN POSITION	1 TO 4	A
ELASTIC *		▼ BROWN POSITION	1 TO 4	A
BUTTONHOLE		BLUE ZONE	1 TO 5	E

\* Model 12714 only.

## STITCH SELECTOR

There are certain types of stitches that are used more often than others in your garment construction. Because of their frequent use, you will soon realize the convenience offered to you by this control. The desired stitch will be obtained by turning the Stitch Selector.

All stitches printed in brown on the indicator panel must be sewn with Stitch Length Control set at ▼ position.



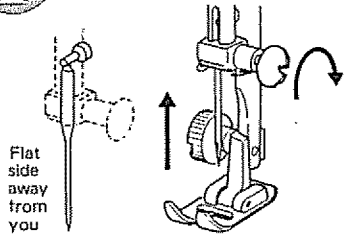
# CARE FREE STITCHING

Kenmore

depends on the **BIG 3 NEEDLES SHUTTLE THREADING**

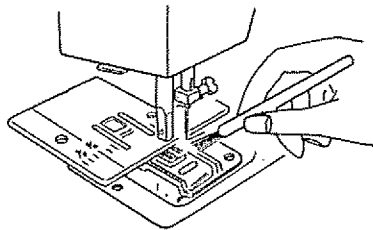
and the **LITTLE 3 FEEDING OILING TENSION**

## STEP 1 NEEDLE



## STEP 2 SHUTTLE

Clean in and around the shuttle and feed dogs to remove accumulated dust and lint which may cause NOISE OR JAMMING.

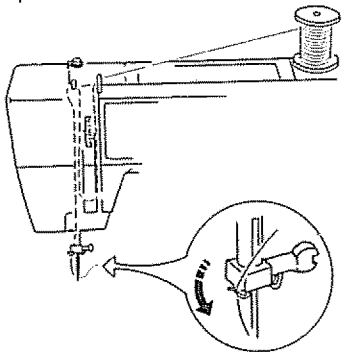


## STEP 3 THREADING

THREAD CAN TANGLE AND SNAP without being seen. If your thread breaks, unthread and then RETHREAD the machine, both top and bottom threads.

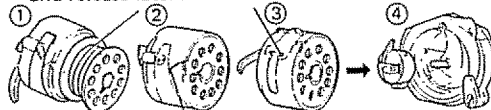
### TOP THREADING

Make sure there is no slack or snags in the thread. Use the type of thread and size needle recommended in your instruction book. Thread should come off the back of the spool as shown.



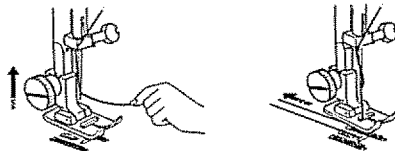
### BOTTOM THREADING

1. Insert bobbin with thread wound as shown and guide bobbin onto center pin of bobbin case.
2. Pull thread through slot.
3. Pull thread under tension spring.
4. Holding latch open, position case into shuttle, and release latch.

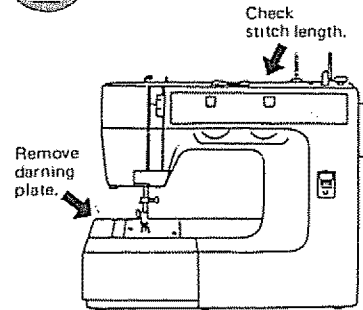


### COMPLETING THREADING

Hold top thread loosely in left hand and rotate handwheel toward you one complete turn. Bring bottom thread up and next, pull top and bottom threads under and to the back of presser foot.

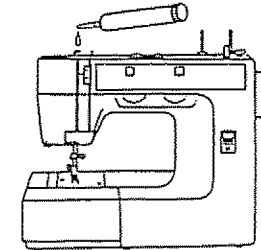


## STEP 1 FEEDING (MATERIAL DOESN'T FEED PROPERLY)



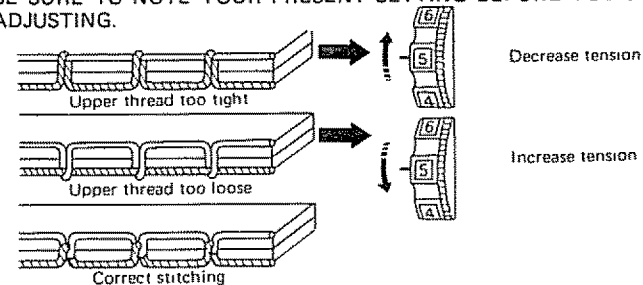
## STEP 2 OILING

The more you use your machine, the less often it needs oil. If you have not used your machine for a few months, and it seems sluggish, oil your machine. Periodically oil at points indicated in your instruction book. USE ONLY KENMORE SEWING MACHINE OIL.



## STEP 3 TENSION

Compare your straight stitching with the illustrations. If it looks like either of the top two, correct the thread tension dial as shown. BE SURE TO NOTE YOUR PRESENT SETTING BEFORE YOU START ADJUSTING.



## IMPORTANT

For your safety an important new feature has been incorporated in this machine. The light/power switch provides electric current for the motor as well as the light. In order to operate the machine this switch must be on.

If you are interrupted while sewing and must leave the machine unattended, just turn off the light/power switch and the machine can not be started accidentally by pressing on the foot control. This feature also applies when the machine is in storage.

The foot control is used to vary the machine speed from zero to high.

## WARRANTY

### FULL 25-YEAR WARRANTY ON SEWING MACHINE HEAD

For 25 years from the date of purchase, Sears will, free of charge, repair defects in material or workmanship which appear in the mechanical components of the sewing machine head.

### FULL TWO YEAR WARRANTY ON ELECTRICAL EQUIPMENT OF SEWING MACHINE

For two years from the date of purchase, Sears will, free of charge, repair defects in material or workmanship which appear in the electrical equipment of the sewing machine, including electronic components, motor, wiring, switch and speed control.

### FULL 90-DAY WARRANTY ON ALL PARTS AND MECHANICAL ADJUSTMENTS

For 90 days from the date of purchase, Sears will, free of charge, replace any parts and provide mechanical service necessary for proper operation of the sewing machine, except for normal maintenance.

WARRANTY SERVICE IS AVAILABLE BY RETURNING THE SEWING MACHINE TO THE NEAREST SEARS SERVICE CENTER/DEPARTMENT IN THE UNITED STATES.

This warranty gives you specific legal rights, and you may also have other rights which vary from state to state.

**SEARS, ROEBUCK AND CO., D/817 WA, Hoffman Estates, IL 60179**



## SEWING MACHINE

Now that you have purchased your Kenmore Sewing Machine, should a need ever exist for repair parts or service, simply contact your nearest Sears Service Center. Be sure to provide all pertinent facts when you call or visit.

The model number of your Sewing Machine will be shown on your nomenclature plate on the back of your Sewing Machine. See page 4 for location.

WHEN ORDERING REPAIR PARTS, ALWAYS GIVE THE FOLLOWING INFORMATION:

\*PART NUMBER \*PART DESCRIPTION \*MODEL NUMBER \*NAME OF ITEM

If the parts you need are not stocked locally, your order will be electronically transmitted to a Sears Repair Parts Distribution Center for handling.

SEARS, ROEBUCK AND CO., Chicago, IL60684 U.S.A.

## Free Manuals Download Website

<http://myh66.com>

<http://usermanuals.us>

<http://www.somanuals.com>

<http://www.4manuals.cc>

<http://www.manual-lib.com>

<http://www.404manual.com>

<http://www.luxmanual.com>

<http://aubethermostatmanual.com>

Golf course search by state

<http://golfingnear.com>

Email search by domain

<http://emailbydomain.com>

Auto manuals search

<http://auto.somanuals.com>

TV manuals search

<http://tv.somanuals.com>