

The rugged-duty SENCOR® SCN65XP Coil Nailer is light enough for one-handed operation. It can hold up to 275 nails (depending upon nail type) for maximum productivity in a wide variety of applications.



Applications:

For on-site, manufactured housing, including framing, sheathing, decking, subflooring, and exterior decks. Also, industrial markets such as heavy-duty pallet construction, pallet repair, and crate and box assembly.

Features and Benefits:

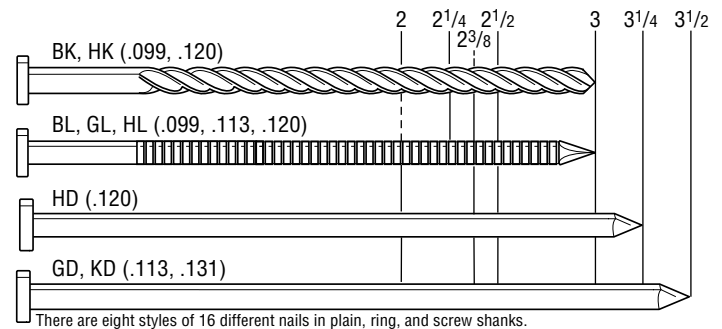
- Highest power-to-weight ratio in its class
- Light enough for one-handed operation for quality workmanship and greater productivity
- Adjustable depth-of-drive allows for precise countersinking at a lower air pressure
- High load capacity (up to 275 nails)
- Fast cycle time increases productivity
- E-Z load design saves time
- Five full year limited warranty

Tool Specifications:

Item #: 540101N - Sequential actuation
 Tool Weight: (Unloaded) 8 lbs. (3.6 kg)
 Height: 14½" (359 mm)
 Length: 12⅞" (327 mm)
 Collation: Flat, angled coil wire
 Operating Pressure: 70-120 p.s.i.g. (4.8-8.3 bar)
 Mode of Operation: Tool is available with either sequential or contact actuation trigger mechanism.
 Hose Fitting: ⅜" NPT

Fastener Specifications:

Drives .099 – .131, Smooth 2" – 3½", Ring 2" – 3", Screw 1¼" – 3". Round-Head Nails. . Capacity 250-275



Choose the right trigger system for your specific needs!

Sequential Actuation Trigger (also known as restrictive trigger or trigger fire) operates in the following a sequence - depress the safety element at the nose of tool against the work surface then pull the trigger. After each fastener is driven, release the trigger and lift the tool off the work surface before starting the sequence again. This trigger is recommended and acceptable for most applications.

Contact Actuation Trigger (also known as dual action, bounce or bottom fire) operates in the following sequence- pull the trigger first and keep the trigger pulled while moving the tool along the work surface with a bouncing motion, depressing the safety element at the nose of the tool against the work surface where the fastener is to be driven. This trigger is recommended for use by trained professionals only in high production or volume applications.

Always read the Operators Manual and Safety Instructions with all tools to ensure proper use and safety precautions. For additional information on trigger systems and how SENCOR will save you time, reduce costs, and increase quality, call our toll-free Action Line: 800-543-4596 to find your nearest Authorized Senco Dealer, Distributor or visit our web site at: www.senco.com

Free Manuals Download Website

<http://myh66.com>

<http://usermanuals.us>

<http://www.somanuals.com>

<http://www.4manuals.cc>

<http://www.manual-lib.com>

<http://www.404manual.com>

<http://www.luxmanual.com>

<http://aubethermostatmanual.com>

Golf course search by state

<http://golfingnear.com>

Email search by domain

<http://emailbydomain.com>

Auto manuals search

<http://auto.somanuals.com>

TV manuals search

<http://tv.somanuals.com>