

PXC 350

Bedienungsanleitung
Instruction Manual
Notice d'emploi
Istruzioni per l'uso
Instrucciones de uso
Gebruiksaanwijzing



Contents

Safety instructions	2
Delivery includes	4
The PXC 350 headphones	4
Operating controls	6
Putting the PXC 350 into operation	7
Inserting and replacing the batteries	7
Adjusting the headband	8
Connecting the headphones	8
Using the PXC 350	9
Adjusting the volume	9
Switching NoiseGuard Advance on/off	10
Detaching and connecting the audio cable	11
Folding up the headphones	12
Accessories and spare parts	13
Care and maintenance	13
Replacing the earpads	13
Specifications	14
Manufacturer Declarations	15

Thank you for choosing Sennheiser!

We have designed this product to give you reliable operation over many years. Over 60 years of accumulated expertise in the design and manufacture of high-quality electro-acoustic equipment have made Sennheiser a world-leading company in this field. Please take a few moments to read these instructions carefully, as we want you to enjoy your new Sennheiser products quickly and to the fullest.

Safety instructions



- Please read these instructions carefully and completely before using the headphones.
- Make these instructions easily accessible to all users at all times. Always include these instructions when passing the headphones on to third parties.
- Do not wear the headphones in situations which require special attention (e.g. in traffic or when performing skilled jobs).
- Always keep the headphones dry and do not expose them to extreme temperatures (normal operating temperatures: 10 °C to 35 °C).
- Use the headphones with care and store them in a clean, dust-free environment.
- Switch off the headphones after use to conserve battery power. Remove the batteries if the headphones will not be used for extended periods of time.
- Please protect your hearing from high volume levels. Sennheiser headphones also sound exceptionally good at low volumes.

Intended use of the headphones

Intended use includes:

- having read these instructions, especially the chapter "Safety instructions",
- using the headphones within the operating conditions and limitations described in this instruction manual

Improper use

“Improper use” means using the headphones other than as described in these instructions, or under operating conditions which differ from those described herein.

Safety instructions for batteries/rechargeable batteries

If abused or misused, batteries/rechargeable batteries may leak and, in extreme cases, may even present an explosion and fire hazard. Sennheiser does not accept any liability for damage arising from abuse or misuse.



Keep batteries out of reach and out of sight of children.



Immediately remove flat batteries/rechargeable batteries from the device.



Do not heat or throw into fire.



Observe correct polarity.



Do not short-circuit.



Switch off battery-powered/rechargeable battery-powered devices when not in use.



Do not solder.



Remove batteries/rechargeable batteries when the device is not used for extended periods of time.



Do not mutilate or dismantle.



Only charge rechargeable batteries with the appropriate Sennheiser chargers.



Do not pack charged batteries loose – danger of shorting out – fire hazard.



After extended periods of non-use, charge rechargeable batteries before using them.



Do not get flat and fully charged batteries/rechargeable batteries mixed up.



Only charge rechargeable batteries at ambient temperatures between 10 °C and 40 °C.



Do not attempt to recharge non-rechargeable batteries.



Dispose of exhausted batteries/rechargeable batteries at special collection points or return them to your specialist dealer.

Delivery includes

Delivery of the PXC 350 headphones includes:

- 1 PXC 350 headphones
- 1 soft case
- 1 audio adapter (1/4" (6.3 mm) stereo jack)
- 1 in-flight adapter (2 x 3.5 mm mono jack)
- 2 AAA size batteries
- Instructions for use

The PXC 350 headphones

The PXC 350 are closed, dynamic, circumaural stereo headphones with NoiseGard Advance active noise compensation technology, designed for use with e.g. in-flight entertainment systems. Passive and active noise reduction enable you to enjoy music even in noisy environments.

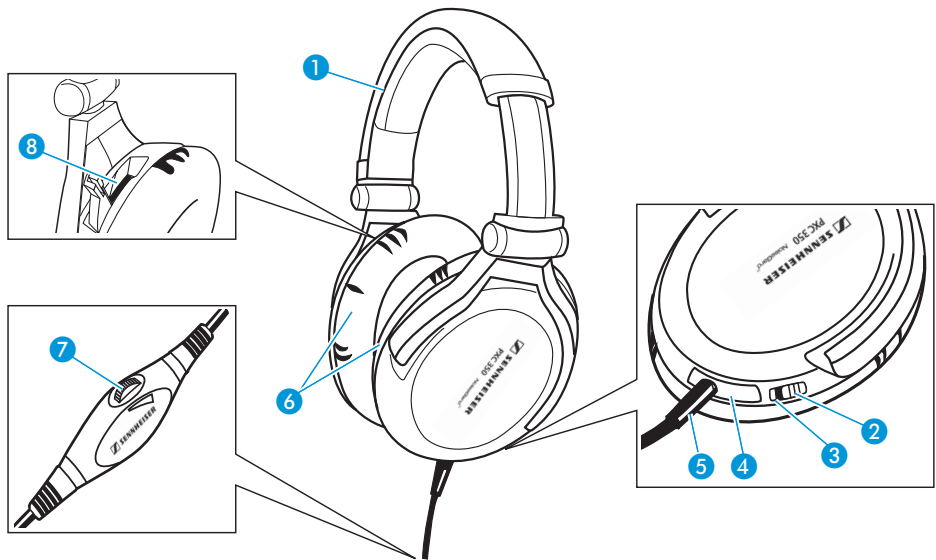
NoiseGard Advance

The NoiseGard Advance active noise compensation system is based on the principle of cancelling out sound using "anti-sound" (phase-inverted sound). Tiny microphones pick up low-frequency ambient noise (up to 1 kHz) near the ear. The NoiseGard Advance electronics use this noise to generate a sound wave which is the exact opposite (IE: at the same level but polarity reversed – 180° out-of-phase), the effect being that the polarity reversed signal cancels most of the outside noise.

Additional features

- Outstanding sound quality due to patented adaptive baffle damping and Duofol diaphragms
- Optimum protection against ambient noise due to NoiseGard Advance active noise compensation
- Great for travel: comfortable, rugged and foldable headphone construction with single-sided cable
- Designed for use with in-flight entertainment systems and audio, video and game consoles
- Without the detachable audio cable, the headphones can be used as passive hearing protectors

Operating controls



- 1 Headband
- 2 Slide switch for NoiseGard operation
- 3 LED (red)
- 4 Socket for audio cable
- 5 Audio cable
- 6 Earpads
- 7 Volume control **VOLUME** (on audio cable)
- 8 Battery compartment (on both sides)

Putting the PXC 350 into operation

Inserting and replacing the batteries

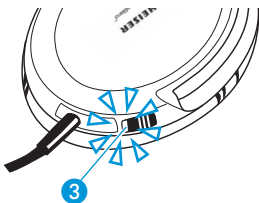
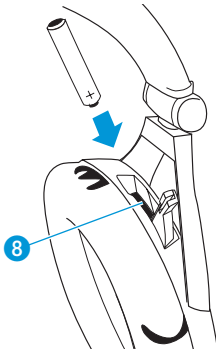
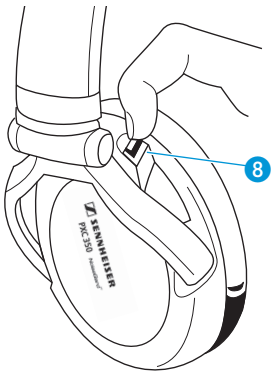
For powering the NoiseGuard Advance active noise compensation, two AAA size batteries or rechargeable batteries are required.

- ▶ Open the battery compartments **8** on the left and right earcups.
- ▶ Remove the flat batteries.
- ▶ Insert the batteries as shown. Please observe correct polarity when inserting the batteries.
- ▶ Close the battery compartments **8**. The battery compartment covers lock into place with an audible click.

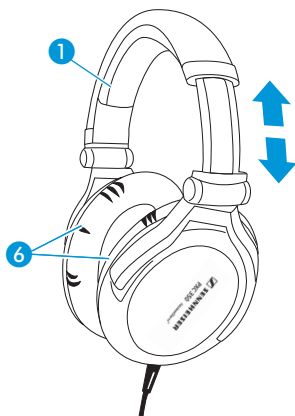
Notes:

- The headphones can also be used without batteries. Switch NoiseGuard Advance off before removing the batteries (see "Switching NoiseGuard Advance on/off" on page 10).
- Always replace the two batteries (left and right) at the same time.
- Remove the batteries if the headphones will not be used for extended periods of time.

When the batteries are almost flat, the LED **3** flashes. You then have to replace the batteries.



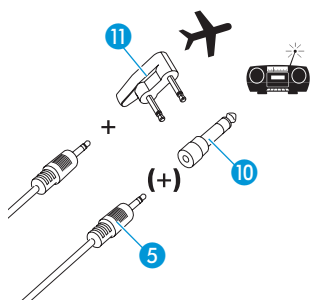
Adjusting the headband



For optimum transmission quality, good noise attenuation and best possible comfort, the headband has to be adjusted to properly fit your head:

- ▶ Wear the headphones so that the headband **1** runs over the top of your head.
- ▶ Adjust the length of the headband so that
 - your ears are completely inside the earpads **6**,
 - you feel even, gentle pressure around your ears,
 - a snug fit is ensured.
- ▶ Final adjustment is best made in a noisy environment!

Connecting the headphones



- ▶ Connect the audio cable **5** to the headphone socket of your sound source.
You hear the sound from your sound source.

If the plug on the audio cable does not fit:

- ▶ Slip on the audio adapter for 1/4" (6.3 mm) jack socket **10** (see diagram on the left).

If you want to use the headphones with an in-flight entertainment system:

- ▶ Slip on the in-flight adapter **11** (see diagram on the left).

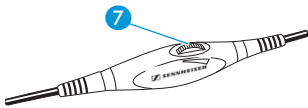
Using the PXC 350

Adjusting the volume

CAUTION! Volume up? - No!



When people use headphones, they tend to choose a higher volume than with loudspeakers. Listening at high volume levels for long periods can lead to permanent hearing defects. Please protect your hearing, Sennheiser headphones also sound exceptionally good at low volumes.



-
- ▶ Turn the volume control **VOLUME 7** to adjust the volume.

Switching NoiseGard Advance on/off

To switch NoiseGard Advance on:

- ▶ Set the slide switch ② to position A as shown. The LED ③ lights up red.

To switch NoiseGard Advance off:

- ▶ Set the slide switch ② to position B. The LED ③ goes off.

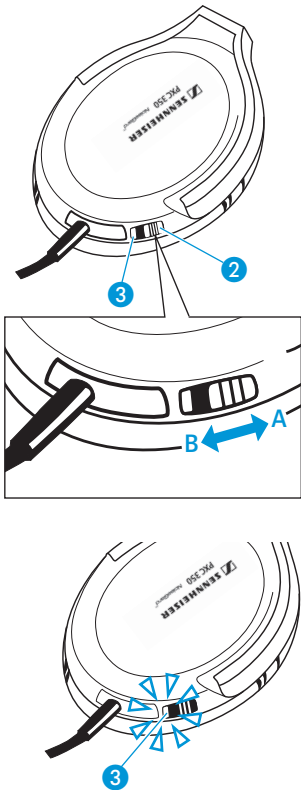
Note:

Switch NoiseGard off after use to conserve battery power.

When the batteries are completely discharged, the NoiseGard Advance active noise compensation automatically switches off. Audio will still be heard through the headphones when the slide switch is set to position B.

Meanings of the LED ③:

LED	Meaning
red	NoiseGard Advance is switched on
flashing	Batteries/rechargeable batteries are almost flat



Detaching and connecting the audio cable

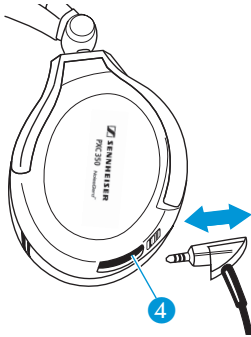
The audio cable is detachable (see diagram on the left). Without the cable, the headphones can be used as passive hearing protectors.

To detach the audio cable:

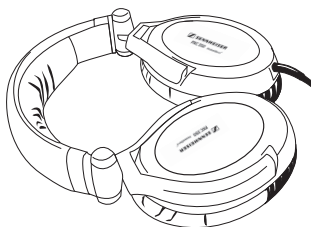
- ▶ Pull the plug of the audio cable from the socket 4.

To connect the audio cable:

- ▶ Insert the plug of the audio cable into the socket 4.



Folding up the headphones



For **space-saving** transportation, the headphones can be folded up in different ways:

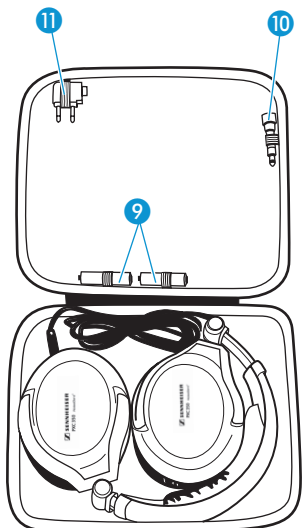
To fold up the headphones as **flat** as possible:

- ▶ Rotate the earcups by 90° as shown.



To fold up the headphones as **compact** as possible:

- ▶ Tuck the earcups between the headband as shown.



For **safe** transportation of the headphones, use the supplied soft case and fold the headphones as follows:

- ▶ Rotate the earcups by 90°.
- ▶ Pull out the right earcup and then fold it in.
- ▶ Place the headphones flat into the soft case as shown.

The two AAA size batteries **9** can be inserted into the two straps at the side of the soft case.

The accessories can be transported in the cover of the soft case:

- **10** Audio adapter (1/4" (6.3 mm) stereo jack)
- **11** In-flight adapter (2 x 3.5 mm mono jack)

Accessories and spare parts

Cat. No. **Accessories/Spare parts**

517680 1 pair of earpads incl. ear cap

517681 Audio cable

Care and maintenance

CAUTION! Liquids can damage the electronics of the headphones!



Liquids entering the housing of the headphones can cause a short-circuit and damage the electronics.

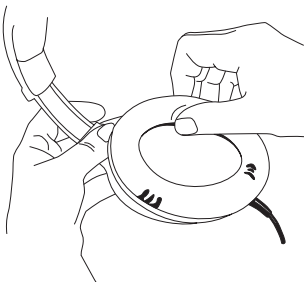
- ▶ Only use a soft, slightly damp cloth to clean the headphones. Do not use any cleansing agents or solvents.

-
- ▶ Use a soft, slightly damp cloth to clean the headphones from time to time.

Replacing the earpads

You can replace the earpads. Spare earpads are available as accessories.

- ▶ Grasp the edge of the earpad **6** behind the earcup and peel it up and away from the earcup.
- ▶ Press the new earpad **6** onto the earcup until it locks into place with an audible click. Repeat for the other earcup.



Specifications

Transducer principle	dynamic, closed
Ear coupling	circumaural
Frequency response	8 – 28,000 Hz
Nominal impedance active/passive	750/150 Ohms
Sound pressure level at 1 kHz and 1 V	108 dB SPL
THD at 1 kHz	0.10 %
Cable connector	3.5 mm stereo jack
In-flight adapter	2 x 3.5 mm mono jack
Audio adapter	¼" (6.3 mm) stereo jack
Cable length	1.4 m
Weight w/o cable and batteries	245 g
Batteries/rechargeable batteries (AAA)	2 x 1.2 – 1.5 V
Passive attenuation	≤ 32 dB
NoiseGard active noise compensation	≤ 18 dB

Manufacturer Declarations

Warranty

The original Sennheiser product you have purchased is covered by a warranty of 24 months. The warranty period begins on the date of purchase of brand new, unused products by the first end user. Please retain your sales receipt (or your warranty certificate) as proof of purchase. Unless you submit proof of purchase, which will be verified by your local Sennheiser service partner, you will be obliged to pay for any repairs that are carried out. Proof of purchase must state the date of purchase and name of the product.

We shall satisfy our warranty obligations by remedying any material or manufacturing faults free of charge at our discretion either by repair or by exchanging individual parts or the entire appliance. Any defective parts removed from a product during the course of a warranty claim shall become the property of Sennheiser electronic GmbH & Co. KG.

The following cases are not covered by the above warranty:

- minor faults or deviations in the quality of a product which do not affect the product's value or fitness for its intended purpose
- any accessories supplied with the product
- rechargeable and disposable batteries (these products have a shorter service life, the length of which also depends on the frequency of use)
- faults resulting from improper use (e.g. operating errors, mechanical damage, incorrect operating voltage)
Proper use for the purposes of this warranty is defined as use of the product under the conditions stated in the instructions for use.
- faults due to wear and tear
- any modification of Sennheiser products effected by you or a third party, unless Sennheiser has given its prior written consent to the nature and extent of the modification
- faults caused by force majeure
- faults of which the purchaser was already aware at the time of purchase

All warranty claims become void if the product is tampered with by unauthorised persons or repair shops.

Warranty claims can be enforced in any country throughout the world in which the statutory rights of the country concerned are not in conflict with our warranty regulations. No other warranty claims

or claims over and above the rights stated in these terms and conditions will be accepted.

Consumers may be entitled to statutory rights in their own countries which are not restricted by these warranty terms and conditions, as the warranty is governed by the laws of the country in which the Sennheiser product was purchased by the consumer. The provisions of the UN Convention on the International Sale of Goods do not apply to this service.

If you wish to file a claim under the warranty, please send the product to your local service partner, together with accessories and proof of purchase. The customer bears the risk of shipment. To avoid any damage in transit, please use the original packaging if possible.

An up-to-date list of all service partners of Sennheiser electronic GmbH & Co.KG worldwide is available on the internet at www.sennheiser.com.

The customer bears the risk and cost of shipment. To avoid any damages in transit, please use the original packaging if possible.

CE Declaration of Conformity



This equipment is in compliance with the essential requirements and other relevant provisions of Directive 89/336/EU. The declaration is available on the internet site at www.sennheiser.com. Before putting the device into operation, please observe the respective country-specific regulations!

WEEE Declaration



Your Sennheiser product was developed and manufactured with highquality materials and components which can be recycled and/ or reused. This symbol indicates that electrical and electronic equipment must be disposed of separately from normal waste at the end of its operational lifetime.


Please dispose of this product by taking it to your local collection point or recycling centre for such equipment. This will help to protect the environment in which we all live.

Batteries or rechargeable batteries



The supplied batteries or rechargeable batteries can be recycled. Please dispose of them as special waste or return them to your specialist dealer. In order to protect the environment, only dispose of exhausted batteries.

Sennheiser and NoiseGard™ are registered trademarks of Sennheiser electronic GmbH & Co. KG.



Sennheiser electronic GmbH & Co. KG
30900 Wedemark, Germany
Phone +49 (5130) 600 0
Fax +49 (5130) 600 300
www.sennheiser.com

Printed in China

Publ. 06/07

515699/A01

Free Manuals Download Website

<http://myh66.com>

<http://usermanuals.us>

<http://www.somanuals.com>

<http://www.4manuals.cc>

<http://www.manual-lib.com>

<http://www.404manual.com>

<http://www.luxmanual.com>

<http://aubethermostatmanual.com>

Golf course search by state

<http://golfingnear.com>

Email search by domain

<http://emailbydomain.com>

Auto manuals search

<http://auto.somanuals.com>

TV manuals search

<http://tv.somanuals.com>