

ROPER® Electric Dryer

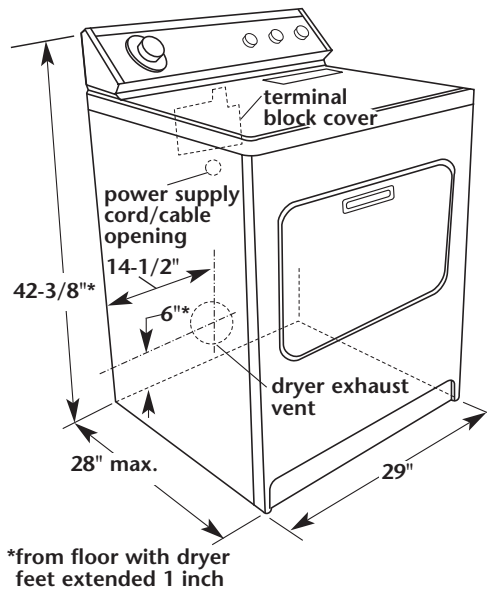
PRODUCT MODEL NUMBERS

RES7646J	REX4625E
RES7646K	REX4634J
RES7648E	REX4634K
RES7648J	REX4635E
RES7648K	REX5634J
REX3614J	REX5634K
REX3614K	REX5635E
REX3615E	

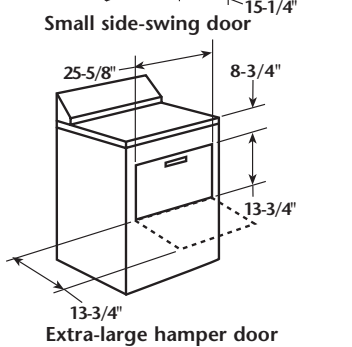
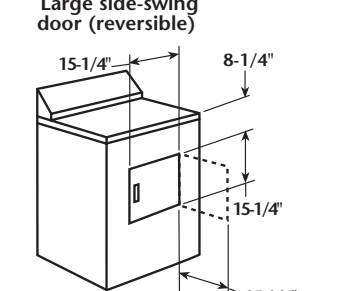
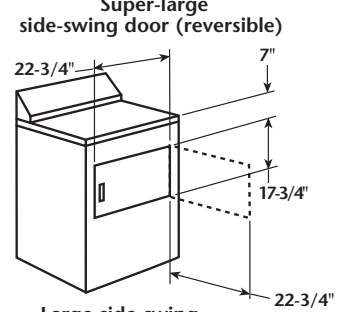
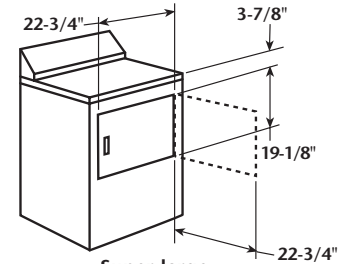
Electrical: A four-wire or three-wire, single phase, 120/240-volt, 60-Hz, AC-only, electrical supply is required on a separate 30-ampere circuit, fused on both sides of the line. Use 10 gauge solid copper wire. A time-delay fuse or circuit breaker is recommended.

Exhaust venting: Exhaust your dryer to the outside. Four-inch diameter vent is required. Rigid or flexible metal exhaust vent must be used. Do not use plastic or metal foil vent. Exhaust outlet hood must be at least 12 inches from the ground or any object that may be in the path of the exhaust.

OVERALL DIMENSIONS

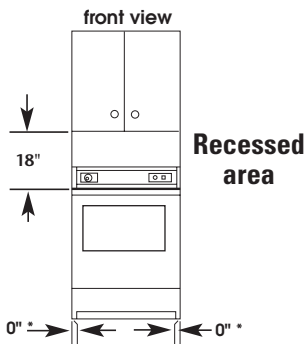


DOOR CLEARANCE DIMENSIONS



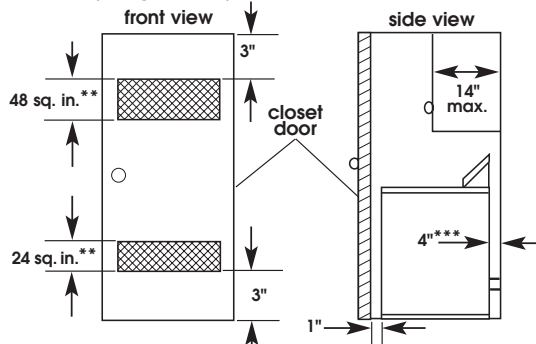
RECESSED AREA AND CLOSET INSTALLATION

	Recommended/Minimum			
	Back	Sides	Top	Front
Recessed	5"/0"	1"/0"	18"/18"	—
Closet	5"/4"	1"/0"	18"/18"	1"/1"



Closet confined area

If a closet door is installed: The minimum unobstructed air openings are required. Louvered doors with equivalent air openings are acceptable.

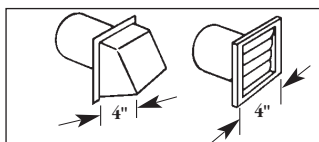


*Wall, door and floor molding may require additional spacing.

** Minimum top and bottom air openings for closet door.
*** External exhaust elbow requires additional space.

EXHAUST VENTING

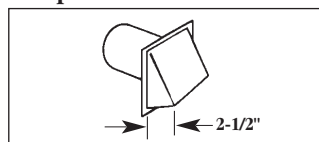
Preferred



When you have a 4" hood

Number of 90° elbows	Maximum length of 4" diameter metal vent	
	Rigid	Flexible (fully extended)
0	64 ft.	36 ft.
1	54 ft.	31 ft.
2	44 ft.	27 ft.
3	35 ft.	25 ft.
4	27 ft.	23 ft.

Acceptable



When you have a 2-1/2" hood

Number of 90° elbows	Maximum length of 4" diameter metal vent	
	Rigid	Flexible (fully extended)
0	58 ft.	28 ft.
1	48 ft.	23 ft.
2	38 ft.	19 ft.
3	29 ft.	17 ft.
4	21 ft.	15 ft.

Select the route that will provide the straightest and most direct path outdoors. Plan the installation to use the fewest number of elbows and turns. Avoid making 90° turns.

When using elbows or making turns, allow as much room as possible. Bend flexible metal vent gradually to avoid kinking.

Determine vent length

1. See the exhaust vent length chart that matches your type hood for the maximum vent lengths you can use.

Do not use vent runs longer than specified in exhaust vent length charts.

2. Determine the number of elbows you will need.

3. In the column listing the type of metal vent you are using (rigid or flexible), find the maximum length of metal vent on the same line as the number of elbows.

The maximum length using a 2" x 6" rectangular vent with 2 elbows and a 2-1/2" exhaust hood is 8 ft.

Free Manuals Download Website

<http://myh66.com>

<http://usermanuals.us>

<http://www.somanuals.com>

<http://www.4manuals.cc>

<http://www.manual-lib.com>

<http://www.404manual.com>

<http://www.luxmanual.com>

<http://aubethermostatmanual.com>

Golf course search by state

<http://golfingnear.com>

Email search by domain

<http://emailbydomain.com>

Auto manuals search

<http://auto.somanuals.com>

TV manuals search

<http://tv.somanuals.com>