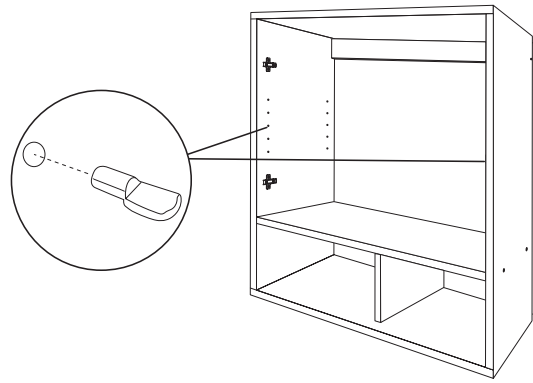


# Shelf and Door Assembly Instructions

## STEP 8

### Parts Required

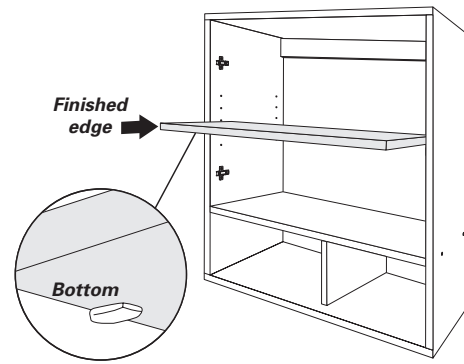
- Shelf Support Pins (4)



## STEP 9

### Parts Required

- Adjustable Shelf (1)



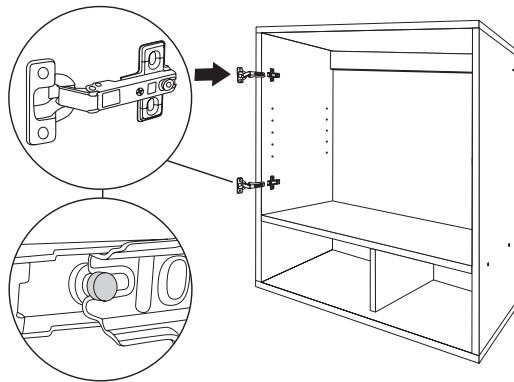
## STEP 10

### Parts Required

- Hinges (4)

Install hinges to hinge plates.  
Repeat for other side.

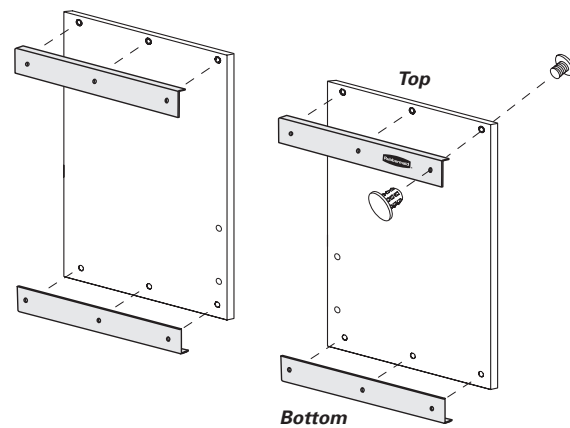
Center hinge plate screw in hinge slot.



## STEP 11

### Parts Required

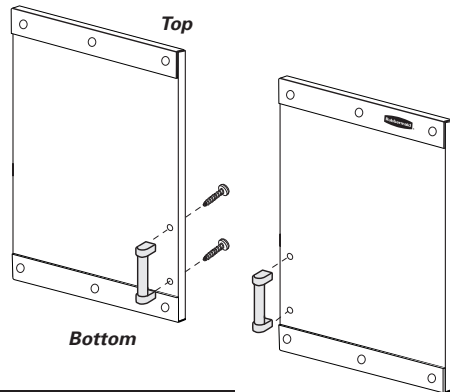
- Doors (2)
- Metal Plates (4)
- Metal Plate Fasteners with Screws (12)



## STEP 12

### Parts Required

- Handles (2)
- Handle Screws (4)

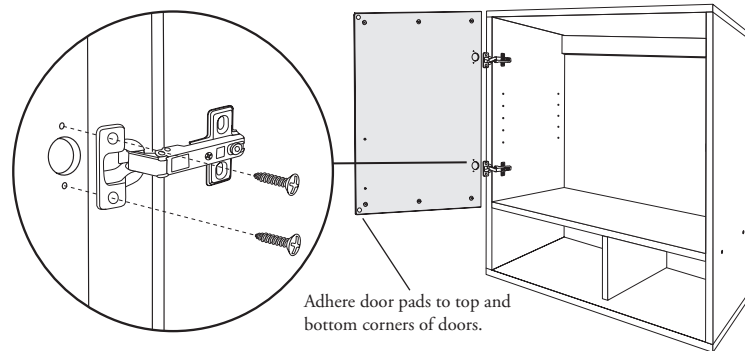


## STEP 13

### Parts Required

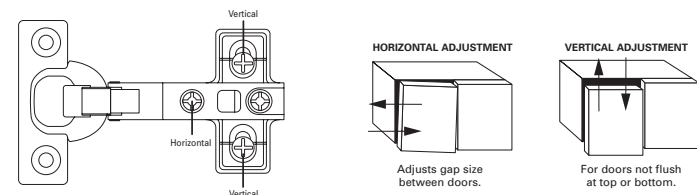
- Hinge Plate Screws (8)
- Door Pads (4)

Assemble doors to the cabinet.



## STEP 14

Ensure cabinet is square prior to adjusting hinges.



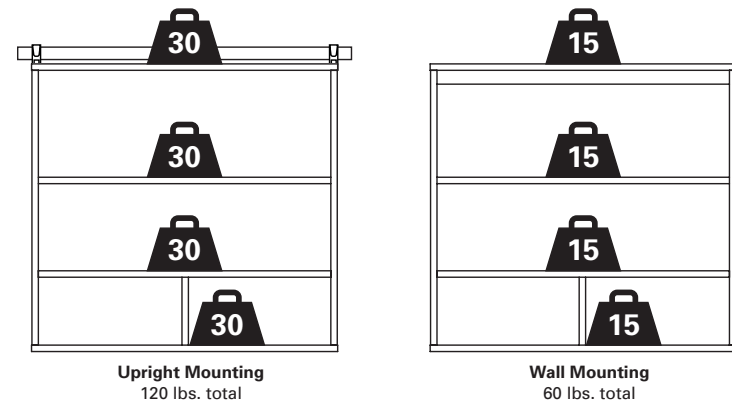
HORIZONTAL ADJUSTMENT

Adjusts gap size between doors.

VERTICAL ADJUSTMENT

For doors not flush at top or bottom.

## Load Capacity



Upright Mounting  
120 lbs. total

Wall Mounting  
60 lbs. total

# Rubbermaid®

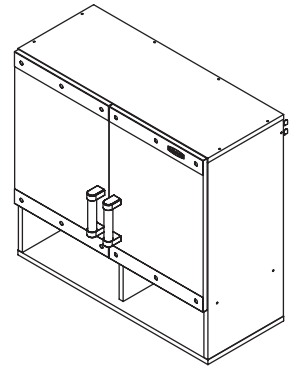
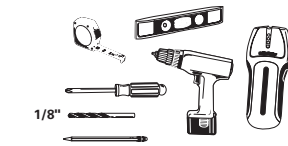
# FastTrack®

## 5M16 – Top Cabinet with Cubbies Assembly Steps

L8-5M16-P0

Rubbermaid Incorporated,  
Huntersville, NC USA 28078-1801  
U.S.A. 1-888-895-2110  
Canada 1-866-595-0525  
[www.rubbermaid.com](http://www.rubbermaid.com)

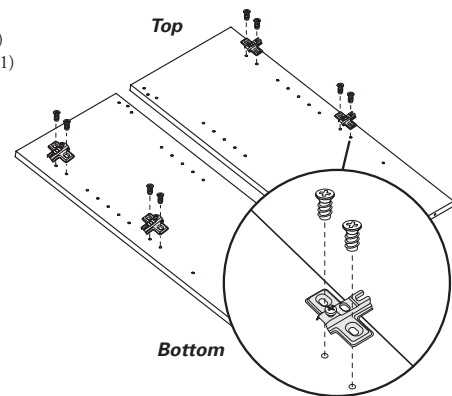
A *NewellRubbermaid* Company



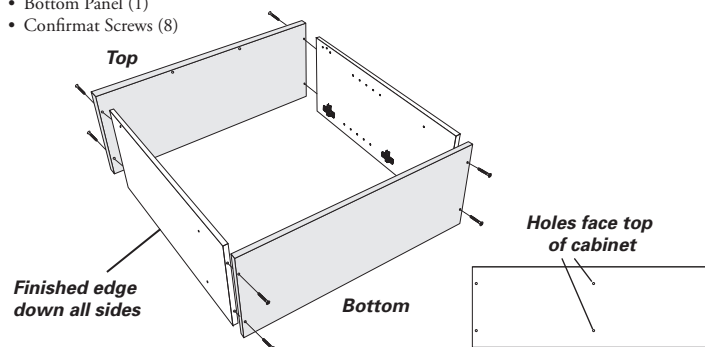
Pieces	Qty	Pieces	Qty
Left Vertical Panel (3814573)	1	Hinge Plates (1608770)	4
Right Vertical Panel (3814606)	1	Hinges (NP5M2200)	4
Backer Board (2901925)	1	Plastic Screw Covers (1812256)	8
Top Shelf (3814581)	1	Handle with Screws, #8 x 1-1/4", Phillips (NP5M2100)	2
Bottom Panel (3814614)	1	Euro Screws, 6mm x 10mm (1602392)	12
Cleat (3814599)	1	Confirmat Screws, 5mm x 40mm (1602376)	16
Adjustable Shelf (3814565)	1	Shelf Pins (FG3F80H1CHROM)	4
Fixed Shelf (3814622)	1	Nails (1608217)	24
Left Door (3814648)	1	Hinge Plate Screws, #6 x 5/8" (1602160)	8
Right Door (3814656)	1	Pan Head Screws, #8 x 1/2", Phillips (1604281)	4
Wall Cabinet Divider (3814664)	1	Wood Dowels (1470004)	4
Metal Plates (NP5M2400)	4	Wall Mount Screws, #10 x 2", Phillips, Flat Head (1603168)	2
Metal Plate Fasteners with Screws (NP5M2500)	12	Door Pads (1811399)	4
Upright Bracket (L/R) (NP5M2000)	2	Hole Plugs (1812313)	2

**STEP 1****Parts Required**

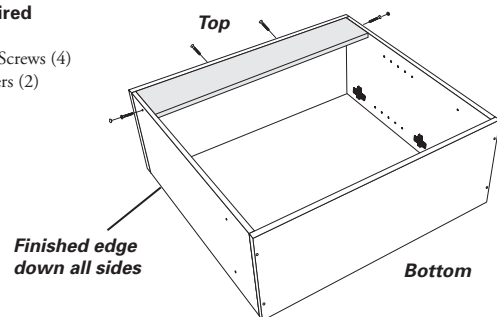
- Left Vertical Panel (1)
- Right Vertical Panel (1)
- Hinge Plates (4)
- Euro Screws (8)

**STEP 2****Parts Required**

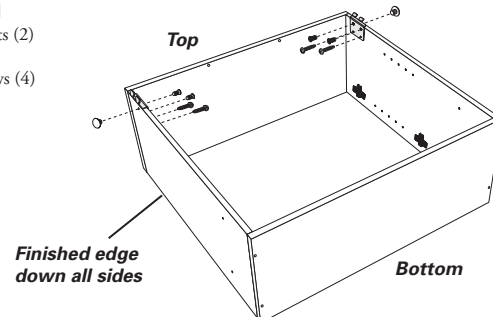
- Top Panel (1)
- Bottom Panel (1)
- Conformat Screws (8)

**Choose Your Installation Method, Wall Mount or Upright Mount****STEP 3A****Wall Mount Instructions****Parts Required**

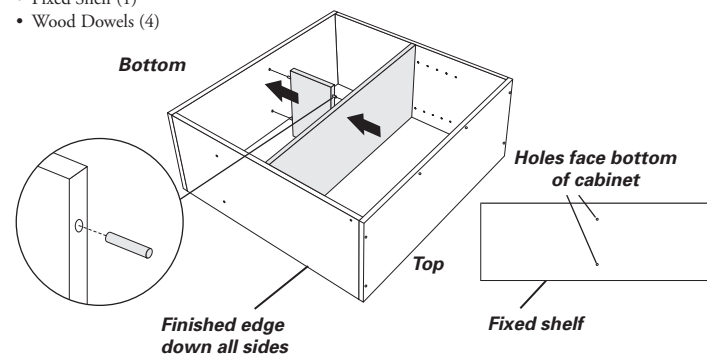
- Cleat (1)
- Conformat Screws (4)
- Screw Covers (2)

**STEP 3B****Upright Mount Instructions****Parts Required**

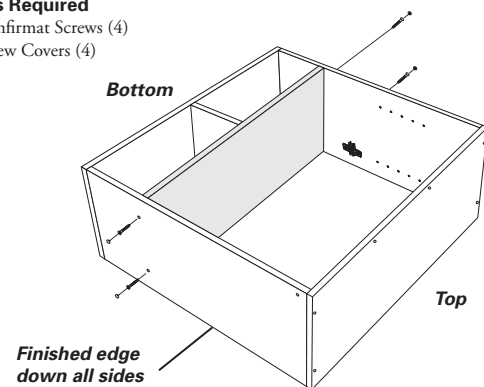
- Upright Brackets (2)
- Euro Screws (4)
- Pan Head Screws (4)
- Hole Plugs (2)

**STEP 4****Parts Required**

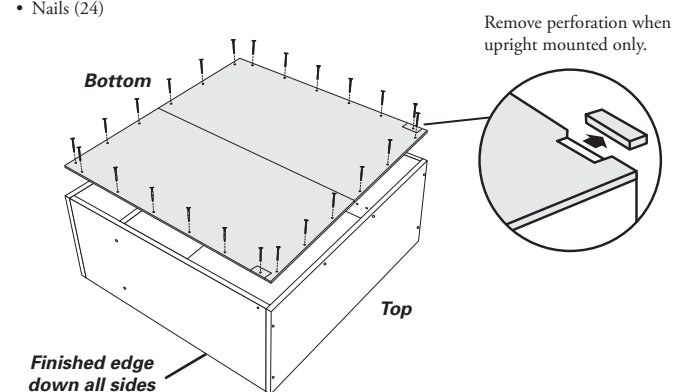
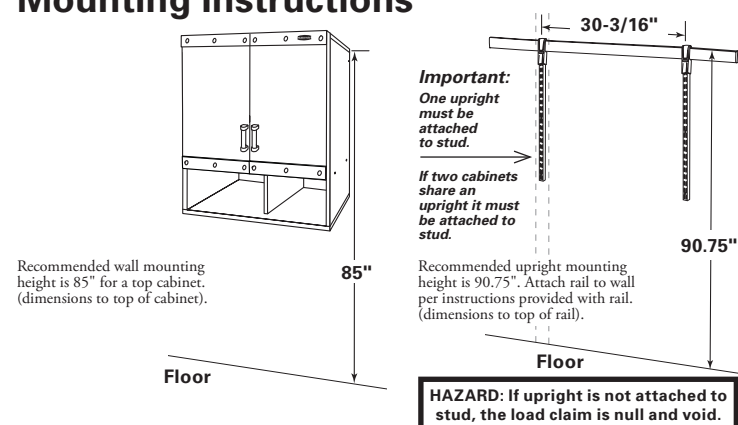
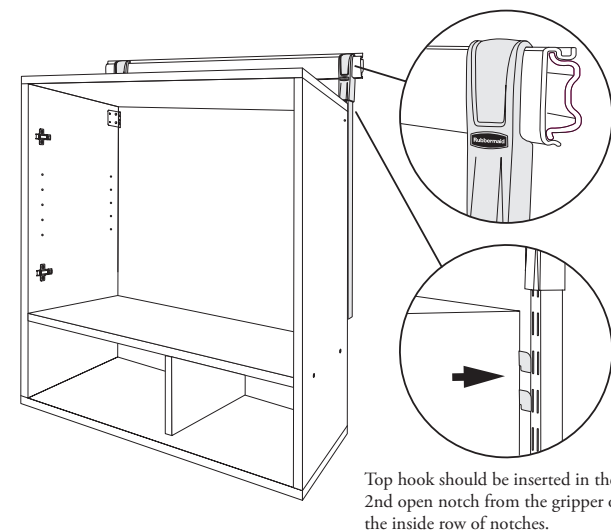
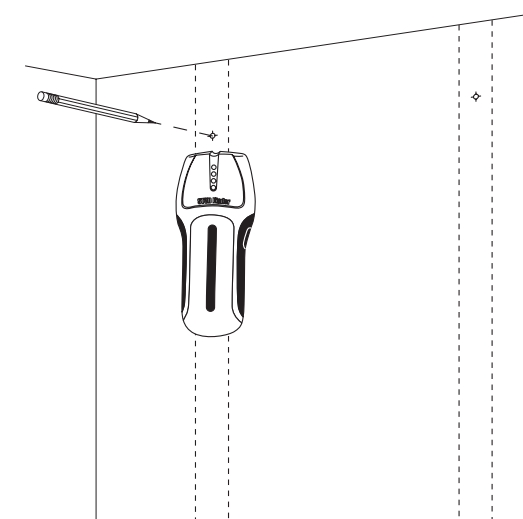
- Wall Cabinet Divider (1)
- Fixed Shelf (1)
- Wood Dowels (4)

**STEP 5****Parts Required**

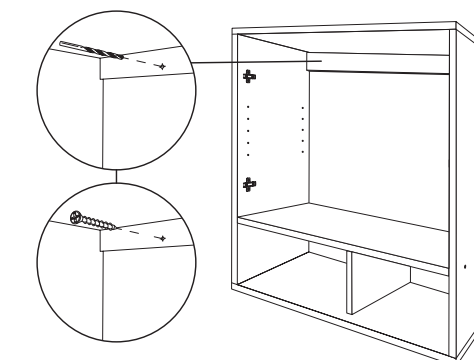
- Conformat Screws (4)
- Screw Covers (4)

**STEP 6****Parts Required**

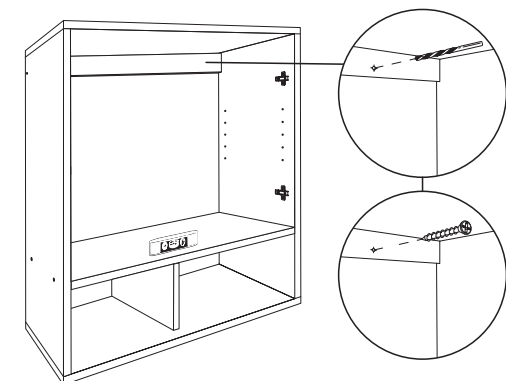
- Backer Board (1)
- Nails (24)

**Mounting Instructions****WARNING: SERIOUS INJURY OR DEATH CAN RESULT BY NOT FOLLOWING BELOW INSTRUCTIONS.****Choose Mounting Method****Upright Mount Instructions****STEP 7A****Hang cabinet on rail.****HAZARD: Use two or more people to install cabinet. Failure to do so can result in back or other injury.****Direct Wall Mount Instructions****STEP 7B****Locate studs****STEP 7C****Secure cabinet to wall.**

With two or more people hold the cabinet against the wall over the marked stud locations. Pre-drill (1) hole for a wall mount screw using 1/8" drill bit through cleat into stud. Insert one screw into stud through wood cleat.

**HAZARD: Use two or more people to install cabinet. Failure to do so can result in back or other injury.****STEP 7D****Secure cabinet to wall.**

Level cabinet. Pre-drill hole for second wall mount screw through cleat into stud. Insert the second screw into stud through cleat. Ensure cabinet is hanging on two studs.



## Free Manuals Download Website

<http://myh66.com>

<http://usermanuals.us>

<http://www.somanuals.com>

<http://www.4manuals.cc>

<http://www.manual-lib.com>

<http://www.404manual.com>

<http://www.luxmanual.com>

<http://aubethermostatmanual.com>

Golf course search by state

<http://golfingnear.com>

Email search by domain

<http://emailbydomain.com>

Auto manuals search

<http://auto.somanuals.com>

TV manuals search

<http://tv.somanuals.com>