

# Russound®

**m** Advantage  
ISO-MOUNT™



OWNER'S MANUAL

Introduction – The Russound Advantage .....	3
Space and Wall Requirements .....	4
Impedance Matching for Amplifier and Speakers .....	4
Speaker Care .....	5
Getting Started .....	6
WHO – Installer Skills and Tools Required .....	6
WHAT – Speaker Usage and Environment .....	7
WHEN – Pre-Construction or Retrofit Installation .....	8
WHERE – Speaker Placement .....	9
WIRE – Wire Requirements .....	12
HOW – Painting the Speaker Frames and Grilles .....	13
HOW – Cutting Wall/Ceiling Opening for Speakers .....	15
HOW – Hooking Up the Speakers .....	17
HOW – Final Assembly of Speakers .....	19
HOW – Testing Speaker Polarity and Channel Connections .....	19
Specifications .....	21
Warranty .....	23



## THE RUSSOUND ADVANTAGE

Thank you for selecting Russound Advantage Series speakers. Like all Russound speakers, they combine advanced acoustic technology with durability to provide years of listening enjoyment. The Advantage speaker line is composed of the Music and the Hi-Fi Series.

The Music Series is designed to provide an optimum balance between performance and price, delivering superior sound for all applications at a most affordable cost. The Music Series is perfect for multi-room audio systems as well as surround sound applications, providing exemplary reproduction throughout the home.

The Hi-Fi Series combines the finest components with our most advanced drivers to deliver exceptional performance in every application. From background music to spectacular surround sound, Hi-Fi Series speakers offer the finest sound around.

Iso-Mount™ technology takes the Advantage Series beyond ordinary in-wall speakers by reducing undesirable wall vibrations with a unique thermopolymer isolation mounting gasket. Where typical in-wall speakers lack clarity due to speaker-induced wall vibrations, Iso-Mount speakers offer dramatic sonic improvement by letting the music come only from the speakers, not from the wall as well. In addition, the innovative Twist & Lock™ mounting system incorporated in Iso-Mount models provides exceptionally easy and secure installation.

Iso-Mount speakers have a molded-in IR receiver opening that allows mounting an infrared remote receiver through the speaker baffle. The blue polymer plug is designed to pop out for screw-in installation of an IR receiver such as the Russound SaphIR™ Eye without damaging the speaker baffle.

In addition to Iso-Mount and Twist & Lock features, Russound Advantage speakers feature high quality drivers, sophisticated crossover networks, and advanced designs to ensure optimum reproduction in your home, no matter what the source material may be.

## WOVEN GLASS FIBER WOOFER/MIDRANGE CONE

Our woven glass fiber cone employs the best of modern technology to deliver an optimum balance of performance.

Its superior transient response and light weight produce excellent low distortion voice reproduction and high efficiency. The result is exceptional sound from deep bass through the all-critical midrange frequencies.

## LARGE HIGH-ENERGY MAGNETIC MOTOR SYSTEMS

These powerful motors drive the woofer/midrange cone to reproduce sound. Their advanced Finite Element Analysis design means they are optimized to mate perfectly with the glass fiber cones, delivering all the power needed with finesse and superior control. A dual vented design and large Kapton® voice coil ensure adequate power handling under the most demanding situations.

## SILK OR ALUMINUM DOME TWEETERS

These fluid cooled devices utilize rare-earth Neodymium magnet assemblies and lightweight domes to reproduce every subtle nuance of the musical or cinema sound source. A computer-designed lens helps smooth their response and aids in delivering wide dispersion for excellent sound throughout the listening area.

## COMPUTER DESIGNED ASYMMETRICAL CROSSOVERS

The crossover is the traffic cop for the audio signal, dividing the lows from the highs and sending them off to the proper driver element. It also matches driver efficiencies and phase relationships to make sure that the different drivers work in unison. Advantage asymmetrical crossovers are very sophisticated designs, blending and matching the output of our proprietary drivers into a seamless and accurate sound field. Asymmetrical refers to the roll-off slope of the woofer/midrange being different from the roll-on slope of the tweeter. The result is both better driver integration and better time coherence in the speaker's output. We also use high quality components to ensure long life and excellent unit-to-unit consistency.

## HIGH FREQUENCY SWITCH

This adjustment allows you to tailor the sound of Advantage speakers to better match the listening environment. The switch offers a flat response position (-) and a plus 3 dB position (+). It is located on the front baffle of Iso-Mount models.

# Space Requirements & Impedance Matching

## SPACE AND WALL REQUIREMENTS

### SPACE REQUIREMENTS

Russound Advantage Iso-Mount speakers require a minimum wall depth of 3-5/8" (9.2 cm) (measured from the outside face of the mounting surface), and require at least 1.4 cubic feet of space behind the speaker for optimal performance.

### WALL REQUIREMENTS

#### ACCEPTABLE INSTALLATION SITUATIONS:

- Any wallboard and 2x4 stud wall
- Lath and plaster wall
- Wood paneling and 2x4 stud wall. The dense, rigid nature of plasterboard (or lath and plaster) or thick wood paneling acts as a superb speaker baffle.

#### UNACCEPTABLE INSTALLATION SITUATIONS:

- Brick or concrete walls where the wallboard or paneling is attached to thin furring strips – This type of wall can't provide proper depth (clearance) for the back of the Russound Advantage speakers.
- Locations concealing pipes, heating ducts and AC wiring – These elements can complicate speaker mounting and installation of speaker wire. AC wiring can induce hum caused by close proximity to the speaker.

## IMPEDANCE MATCHING FOR AMPLIFIER AND SPEAKERS

Not all amplifiers or receivers can safely operate two sets of speakers at once. If you intend to run your Russound Advantage speakers and your main speakers concurrently, or if you intend to hook up and run two sets of speakers at the same time, it's important to consider both the impedance of the speakers and the capabilities of the amplifier or receiver you're using.

A speaker's impedance rating indicates the amount of electrical resistance it places against current flowing from a receiver's outputs. If the total speaker load does not present adequate resistance, the receiver increases its power output. Low-impedance speakers may hamper operations of receivers not designed to deliver large

amounts of current to low-impedance loads. This may lead to greater distortion, and causes the receiver to run hot or activate its protection circuitry.

First, consult the owner's manual for your amplifier or receiver. It should state the minimum speaker impedance during multiple speaker operation. The impedance may also be printed on the back of the amplifier/receiver next to the speaker connectors. If you can't readily determine this information, consult the dealer where you purchased the amplifier or receiver, or call the manufacturer of the product in question.

The impedance rating for your Russound Advantage Music Series speakers is 8 ohms, 6 ohms for the Hi-Fi Series. Next, determine the impedance of your other speakers. It may be printed on the back of the speaker near the connection terminals, or you can consult the speaker's owner's manual. Speaker impedance must be equal to or higher than the amplifier/receiver speaker output impedance rating. For instance, an amplifier/receiver that is rated for two pair of 8 ohm speakers cannot support two pair of 4 ohm speakers.

If the amplifier/receiver is not rated for the speaker configuration desired, external volume controls and/or speaker selectors can maintain the impedance levels that will allow your amplifier/receiver to operate safely. Russound makes a complete line of these products, from Impedance-Matching Volume Controls to Impedance-Matching Speaker Selectors. Ask your Russound dealer for details or request a catalog from Russound at 800-638-8055 (U.S. and Canada) or +1-603-659-5170 from outside the U.S.



## SPEAKER CARE

Russound Advantage Series speakers are built with quality materials to last a lifetime. They should work for as long as you own your home and longer if you avoid the following:

- Too little power at high volumes
- Too much power
- Transients (immediate loud passages, thumps, etc.)

### TOO LITTLE POWER AT HIGH VOLUMES

Speakers can be damaged when they are driven by an amplifier/receiver that isn't capable of delivering all the "clean power" that is being demanded. When an amplifier/receiver runs out of current due to high demand while trying to re-create musical peaks, it causes a type of output signal distortion called clipping. Clipping not only makes the music sound unclear, over time it can damage or destroy the speakers. If you're listening at loud volumes you may be unaware that clipping is occurring, but the damage may already be done, as clipping damage can be instantaneous or cumulative. If you like your music loud, consider using an amplifier/receiver with at least 50 watts per channel but remember: you can damage any speaker with clipping, no matter how well it is built.

### TOO MUCH POWER

There's nothing wrong with driving your Russound Advantage speakers with as much power as they are rated for. The extra power helps them provide full, rich sound and excellent transient response. However, you should not be heavy-handed with the volume control. If the music begins to sound distorted in any way, back off the volume.

## TRANSIENTS

Transients are sudden uncontrolled signal changes that can seriously damage any speaker, including your Russound Advantage speakers. Transients may be caused by turning the system on or off while the volume is at a maximum level, or by disconnecting any hook-up cables while the system is on, creating a burst of low frequency hum. These conditions can cause serious speaker damage and should be avoided. As a general rule, always unplug the amplifier from the AC mains before connecting or disconnecting any signal or speaker cable.

Note: Russound does not guarantee its speakers against abuse, including too little power at high volumes and too much power. Damage from clipping or too much power is revealed simply by looking at the speaker's voice coils. When used with care and common sense, your Russound speakers should provide a lifetime of listening pleasure.



# Getting Started & WHO – Installer Skills and Tools

There are several related factors that must be considered before the installation of your Russound Advantage speakers:

- WHO:** Who is doing the installation, the homeowner, or a professional installer?
- WHAT:** What is the installation environment and the intended use (serious listening or background)?
- WHEN:** When will the installation be performed – during pre-construction or retrofit in an existing home?
- WHERE:** Where is the best speaker location and where are the available speaker locations?
- WIRE:** Wire should be what gauge and what length? Can the speaker wires be run to the intended location? Will there be any IR receivers mounted in any Iso-Mount speaker locations? If so, what are the wiring requirements?
- HOW:** How are the speakers installed?
- 

## WHO – INSTALLER SKILLS AND TOOLS REQUIRED

This manual is designed to make your Advantage Series speakers as easy to install as they are to listen to. If you've had any home "do-it-yourself" experience, you should find installation of your new speakers a manageable job. You should have a basic understanding of hand and power tool operations, a working knowledge of your audio system, and be able to operate a multimeter.

### TOOLS NEEDED FOR INSTALLATION IN EXISTING WALLS:

- Drill with a 1-inch flat bit
- Drill bit 1/4" larger than the diameter of the speaker wire
- Retractable utility knife, Roto Zip®, Dremel®, or key-hole saw
- #2 Phillips-head screw driver to fit the screws for the integral swing-out mounting clamps
- Bubble level
- Pair of diagonal cutters or wire strippers
- Stud finder
- Multimeter
- Plumb bob or small weight on a string
- Cardboard mounting template (included with speakers)

- Pencil
- Length of stiff wire about 3 feet long (a straightened wire coat hanger works well)
- Insulated staples for securing speaker wire
- 1.5V AA battery
- Masking tape
- Paint and applicator for painting the grille and outer frame

We suggest you read through this manual first before proceeding with installation to familiarize yourself with the entire installation process. If you then decide that installing your Russound Advantage Series Speakers is beyond your skills, call your Russound dealer to arrange for professional installation. Be ready to tell your installer if the speakers will be used for serious listening or for background sound, and to discuss the desired speaker locations.



## WHAT – SPEAKER USAGE AND ENVIRONMENT

Before you decide where you want to install your Russound Advantage speakers, you'll need to determine their intended use. Will you be sitting in one place listening to music or will you be playing background music during domestic and social activities? Once you've determined where you will be while you listen, you can decide where the preferred speaker location will be. Russound Advantage speakers have been designed to be suitable for most listening environments.

Advantage Series Iso-Mount technology provides superior performance by adding a proprietary thermopolymer isolation gasket between the frame and the baffle. This unique gasket dramatically reduces unwanted wall vibrations to increase the clarity, definition and accuracy of the sound produced. This makes the Iso-Mount speakers perfect for both serious listening and for background applications. The adjustable tweeter pivots for fine adjustment of the speaker's high frequency directivity, and the symmetrical frame permits the speaker baffle to be installed with the tweeter at the top or the bottom of the speaker. Ideally, the tweeter should be as close to ear level as possible when you're seated in the prime listening position.

*Figure 1*



# WHEN – Pre-Construction or Retrofit Installation

## WHEN – PRE-CONSTRUCTION OR RETROFIT INSTALLATION

### PRE-CONSTRUCTION INSTALLATION

Built-in speaker installation is more convenient during home construction than after construction is completed. Speaker wire can be routed to the destination before the wallboard is installed, and possible hindrances such as AC wiring, plumbing, or ductwork can be easily located and avoided.

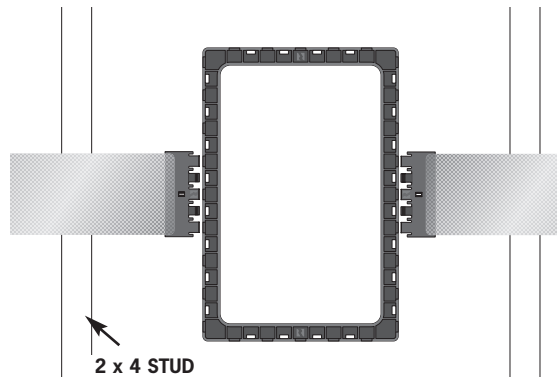
Speaker rough-in brackets are used in the pre-construction phase of speaker installation during construction of new homes and additions. Russound offers Speaker Rough-In Brackets for the full line of Advantage speakers. These brackets are designed to provide drywall installers the correct cut-out pattern for the speakers. The brackets have “wings” that are nailed/screwed/stapled onto the wall studs. Once the wallboard is installed, the opening is cut out and the speaker frame is inserted into the bracket.

When installing the pre-construction bracket, note that there are holes molded into the bracket for speaker wire tie-off. This keeps the wire from getting lost later during the construction process. You can also tie the wire to the bezel/mounting assembly once it's installed, using any of the rotating clamp towers.

### DURING NEW INSTALLATION, KEEP THE FOLLOWING TIPS IN MIND:

- Use a small level to verify that the rough-in bracket is straight.
- If possible, run speaker wires after AC wiring is in place to avoid induced hum caused by close parallel proximity of the two types of wire.
- If possible, run speaker wires after plumbing is in place; wire can bend, pipes cannot.
- Secure speaker wires in place against a stud along vertical runs with insulated staples only, being careful not to pierce the wire insulation. Allow a bit of slack for expansion of building materials.
- Horizontal runs should be routed through holes drilled in studs at roughly equal heights.
- The actual speakers should not be installed until the wallboard is in place. In the meantime, leave several

*Figure 2 New construction use of Rough-in Bracket  
Not for use with Retrofit applications*



feet of wire coiled up and secured to the back side of the mounting frame. Excess length can be removed during final assembly.

- Any speaker installed in a ceiling should have a safety wire firmly tied between the back of the speaker assembly and the frame of the building. Use any strong insulated wire and connect it to the speaker being careful not to let it interfere with the speaker's operation. The other end should be firmly attached to the studs or flooring above using a hook, nail, or other reliable fastener.
- When installing the drywall, make sure the speaker cut-out hole doesn't extend farther than 1/4" from the inside of the mounting frame. The flat rough-in brackets and wings are thin enough that they won't interfere with wallboard installation.
- After the wallboard is secured, install the speakers as described in the installation instructions in this manual.

### RETROFIT INSTALLATION

If you are installing Russound Advantage speakers in an existing home, you will need to be diligent in locating existing pipes, ductwork, and AC wiring before cutting any holes in the ceiling or walls. In many cases, these obstructions are indicated by wall outlets, switches, plumbing fixtures, radiators, etc.



## WHERE – SPEAKER PLACEMENT

Placement can make all the difference in how your Russound speaker system sounds. There are at least four related considerations that factor into the speaker layout:

- The intended use: critical listening, home theater, or background music
- The room's physical characteristics: hard, reflective surfaces or soft, absorbent textures
- The listening locations: a desired prime listening spot or a need for sound throughout the room
- The available locations: unobstructed wall and ceiling surfaces

It may happen that the ideal or desired locations for the speakers may have to be modified for feasibility.

## STEREO IMAGING

If your Russound In-wall Speakers are going to be your primary listening source in a room, you need to consider some other factors to insure proper imaging. The term “stereo imaging” refers to a speaker system’s ability to project music so that it sounds like the performers are in a three-dimensional space between the speakers.

It's the whole point of having stereo instead of monophonic sound.

To achieve good stereo imaging, the speakers are best located 6 to 8 feet apart on the short wall of a rectangular room, if the prime listening location is opposite the short wall. Optimally, tweeters should be located at ear level when the listener is seated. Ceiling mounted speakers are best located slightly forward of the listening position with the tweeter aimed toward the listener.

## HOME THEATER

When setting up a home theater surround sound system, it's preferable to use wall mount rather than ceiling speakers for the front three channels. The three front speakers should be at close to equal heights, at ear level when the listener is seated. The center channel speaker should be located above the TV screen aligned with the center of the screen, and the left and right speakers should be about 3 or 4 feet to either side of the screen. Left and right speakers placed too close together or too far apart dissipate the illusion of being “in the action” on the screen. *(continued on next page)*

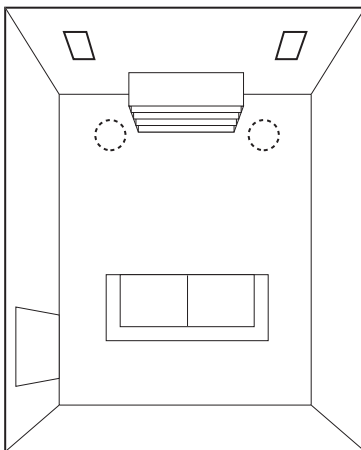
**General Disclaimers – All rooms have different sound characteristics. Speaker location, listening location, reflective and absorptive surfaces all have a dramatic impact on the sound you hear. The following are only general recommendations and should not be considered the best or only solutions.**

### LEGEND:

- - Ceiling Speaker
- - Wall Speaker

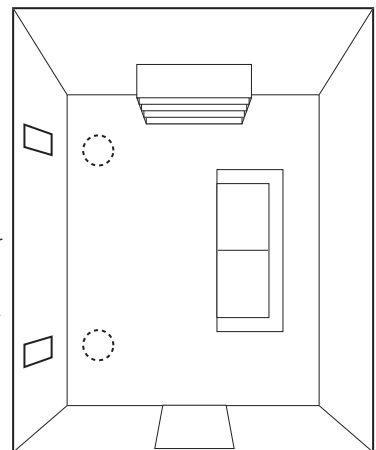
*Figure 3-A*

Best for serious listening. Stereo pair in-wall or in-ceiling. Six to 8 feet apart, on the short wall of a rectangular room, centered on the listening area. In-wall speakers should be at ear height when seated, if possible.



*Figure 3-B*

Good for serious listening. Stereo pair in-wall or in-ceiling. Six to 8 feet apart, on the long wall of a rectangular room, centered on the listening area. In-wall speakers should be at ear height when seated, if possible.



# WHERE – Speaker Placement

For home theater, wall speakers for the front three channels create the illusion that the sound is coming from the screen, which makes the viewing experience more involving and believable. When you use ceiling speakers for the front channels, the sound appears to come from above the screen which is less believable. However, excellent results are still possible if you follow certain guidelines for placing the ceiling speakers.

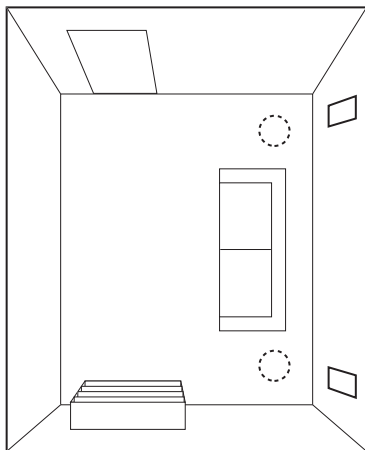
1. Place the front speakers close to the same plane as the front of the TV as possible.
2. Tilt the tweeters so they aim at the prime listening position.
3. Align the center channel speaker with the center of the screen, and place the left and right speakers no further than 4 feet from either side of the screen.

## SURROUND SOUND

If the prime purpose of the surround system is to watch TV and movies, the surround speakers should be placed to produce a diffuse sound field. Iso-Mount wall speakers should be placed to the sides or rear of the prime listening location, located 24 inches or more above ear level when the listener is seated. If this speaker location is closer than 24 inches from the ceiling, mount the Iso-Mount speaker baffle upside down in the wall frame with the tweeter away from the ceiling.

**Figure 3-C**

Good for background listening. Stereo pair behind, above or to the sides of the main listening area. Six to 8 feet apart, centered on the listening area. If in-wall speakers are at ear height when seated they will be more distracting because their high frequency response will be more prominent. The same is true for ceiling speakers located directly over the listening position as opposed to off to the side a bit.



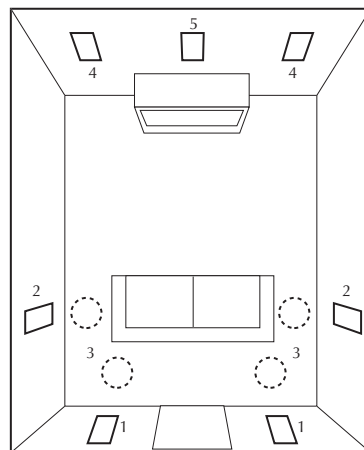
For TV and movies, ceiling surround speakers should be placed directly to the sides or rear of the prime listening position, but be aimed away from the listener to reflect the output off the rear or side walls. This configuration is also suitable for a TV/movie and music mixed use.

If the prime purpose of the surround system is to listen to music, the Iso-Mount wall speakers should be placed closer to ear level. Ceiling speakers should be aimed at the prime listening position.

The Advantage Twist & Tilt speaker design provides the option of either uniform or focused dispersion, ensuring that high quality sound fills the chosen listening area. This ability to focus the sound where you need it most provides increased flexibility with heightened fidelity. After the frame is secured, the speaker/baffle portion installs with a simple twist. The Twist & Tilt technology offers the option of tilting the driver/baffle assembly 15 degrees to focus the sound towards the chosen listening area or standard mounting for uniform dispersion.

**Figure 3-D**

Surround sound – The multiple surround locations can all be made to work as long as the speakers are properly directed, as per the recommendations in these instructions. Numbers designate suggested locations for pairs.





## FIDELITY

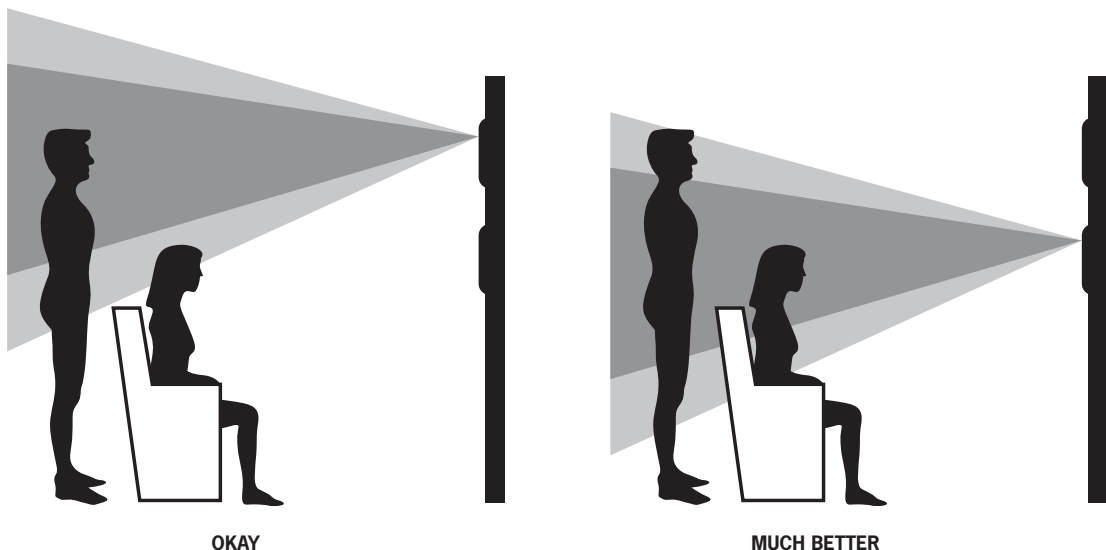
For best fidelity, there are several factors to keep in mind before you begin actual installation.

In general, the best acoustic performance will result if both speakers face a similar type of surface, are placed in similar positions on the same wall or ceiling, and are mounted to the same type of material with equal cavity volume.

Bass frequencies are emphasized when an in-wall speaker is placed close to a corner. This tends to make male voices sound deeper and may muddy some sounds such as soundtrack dialogue. Avoid placing just one speaker in a corner and another on a long flat wall.

Treble is emphasized when it bounces back from reflective surfaces such as large windows. Conversely, highs tend to be muffled by soft surfaces such as drapes, rugs, upholstered furniture, etc. The best situation is a mix of absorptive and reflective surfaces, which can be achieved by adding throw rugs or insulated drapes to a reflective room.

*Figure 4*





# Wire – Wire Requirements

## WIRE CONSIDERATIONS

When purchasing speaker wire, you will need to select the proper gauge, determine the length, and choose the brand.

Wire is measured in gauges: the higher the number, the thinner the wire. For example, 18-gauge wire is thinner than 14-gauge wire. The length of speaker wire you'll need will vary with speaker placement. The gauge of wire you need is determined by the distance between your amplifier/receiver and the speakers. Use the following chart as a guide:

Length	Minimum Gauge
10 to 100 ft.	16
80 to 125 ft.	14
Over 100 ft.	12

We recommend using Russound AW series speaker cable for amplifier-to-speaker connections, but any reputable brand of 16- to 12-gauge multi-stranded wiring is acceptable.

Incorporating optional IR receivers in Iso-Mount models will require additional wire. Consult the selected IR receiver model's manual for the specific wire needs.

Care must be taken to avoid obstacles when running wire. In general, you should pay particular attention to the following:

- Avoid locations concealing pipes, heating ducts, and AC wiring in the general vicinity.
- Avoid running speaker wires close to house electrical wiring for any distance. If you have to run them parallel, make sure to space the speaker wires at least two feet from the AC line. It is, however, permissible for speaker wires to cross paths with AC line or pass through the same hole together with house wiring if they separate before and after.

- Make sure that the entire wire path between speakers and amplifier is clear and not obstructed by a floor or ceiling joist, or a masonry wall which can't be drilled through. Confirm ahead of time that you can drill an outlet hole easily and in an unobtrusive spot to connect wires with the amplifier/receiver.
- Label speaker wires at each end "left" or "right" and include room location. This simplifies speaker/receiver hook-up once the speakers are installed.

# HOW – Painting the Speaker Frames and Grilles



## HOW - PAINTING THE SPEAKER FRAMES AND GRILLES

Russound in-wall speaker frames and grilles are pre-finished with an off-white paint. You can choose to leave them as is or paint them with latex wall paint or aerosol spray paint to accent or blend with the wall or ceiling.

### TO PAINT SPEAKERS THAT HAVE NOT BEEN ASSEMBLED:

- 1** Separate and remove the speaker baffle from the frame and set it aside.
- 2** Remove the scrim cloth by gently separating it from the inside surface of the perforated grille, being careful to keep it clean. Store it before you begin painting.
- 3** Paint the outer speaker frame and grille separately. For the grille, Russound recommends a spray application using latex paint diluted 4 to 5:1 with water. If you're using an aerosol spray paint, make sure that you achieve the same coverage on both grille and frame.
- 4** While the paint is still wet on the grille, and the grille is not in the frame, use a gentle burst of compressed air against the outside surface to clear the fine holes in the metal mesh.
- 5** After the paint has thoroughly dried, re-install the speaker baffle inside the frame.
- 6** Reattach the scrim cloth to the grille, starting from the edge and smoothing wrinkles as you go.

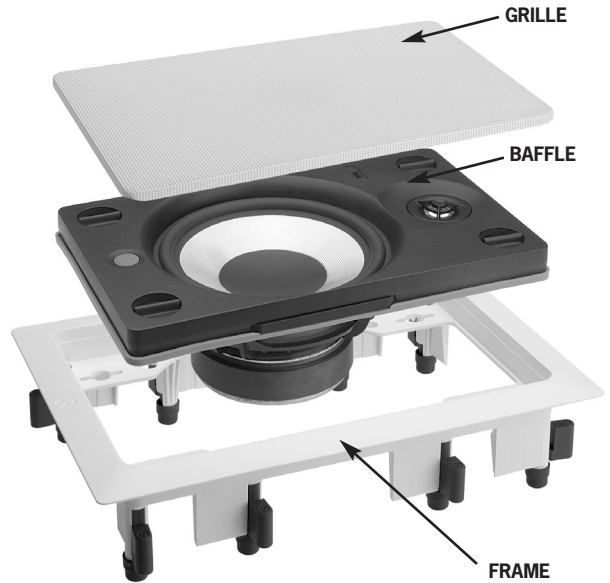


Figure 5

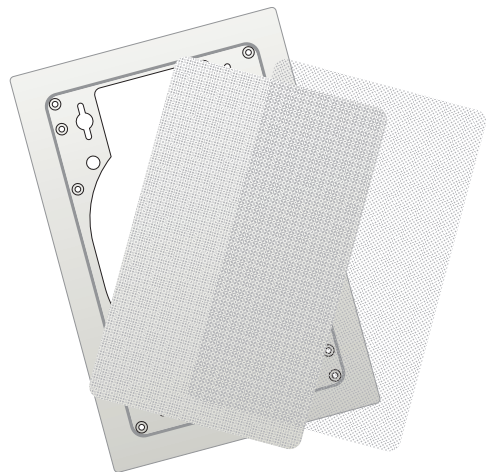


Figure 6



## HOW – Painting the Speaker Frames and Grilles

### TO PAINT SPEAKERS THAT HAVE BEEN ASSEMBLED AND INSTALLED:

- 1** Remove the speaker grilles from the frames, being careful not to damage the paint. Use a small pointed object and start at the corner or edge of the grille.
- 2** Remove the scrim cloth by gently separating it from the inside surface of the perforated grille, being careful to keep it clean. Store it before you begin painting.
- 3** Center the included black plastic paint shield over the speaker baffle and press into the frame.
- 4** Paint the outer speaker frame and grille separately. For the grille, Russound recommends a spray application using latex paint diluted 4 to 5:1 with water. If you're using an aerosol spray paint, make sure that you achieve the same coverage on both grille and frame.
- 5** While the paint is still wet on the grille, and the grille is not in the frame, use a gentle burst of compressed air against the outside surface to clear the fine holes in the metal mesh.
- 6** After the paint has thoroughly dried, remove the paint shield from the frame and store for future use. The shield may be held in by a vacuum seal. Pull gently but firmly to slowly break the seal and remove.
- 7** Reattach the scrim cloth to the grille, starting from the edge and smoothing wrinkles as you go.

Note: Speaker frames can become bonded to the wall or ceiling surface paint when they are painted after installation. Use care not to break the surface of the paint when replacing the grille or baffle in the frame.

# HOW - Cutting Wall/Ceiling Opening for Speakers



## HOW - CUTTING WALL/CEILING OPENING FOR SPEAKER

The following steps outline how to locate a section of wall between two studs, mark the outer boundaries of the hole, drill a small hole in the center to verify the location and then cut the main hole.

- 1** Determine the location of the wall studs so the speaker can be centered approximately between them. There are several ways to go about this:
  - Use a stud finder, a simple electronic device which works by locating changes in wall density. Many stud finders can also indicate the presence of live AC wiring.
  - Tap on the wall and listen to the resulting “THUMP.” When it’s deeper and hollow sounding, you’re between studs. When it’s sharper and more flat sounding, you’re close to or over a stud.
  - Identify studs by the position of electrical outlets or switches. There may be a stud directly to the left or right of such electrical fixture. This gives you a point of measurement since studs are either 24 or 16 inches on center in newer houses, 12 inches apart on older homes.
- 2** When you’re reasonably sure of where the wall’s studs are (and are completely sure there isn’t an electri-

cal cable, water pipe, or heating duct in that vicinity of wall), position the cardboard mounting template, and draw around its outer perimeter with a pencil. If you don’t trust your eye, use a level to make sure the hole will be straight.

- 3** Drill a 1-inch hole in the center of the pencil outline which you have just drawn, just deep enough to fully penetrate the wallboard.
- 4** Obtain a length of stiff wire such as a straightened wire coat hanger. Bend it so that the last 6 or 8 inches is at a right angle to the rest.
- 5** Insert the angled part into the 1-inch hole you just drilled and probe to left and right to confirm that a stud is not too close on either side. Move the wire around in a circular motion to check clearances above and below the hole as well.
  - If there is a stud too close on one side, reposition the cardboard template a few inches in the opposite direction, and re-draw your pencil outline, keeping the 1-inch hole within the pencil outline’s inner boundaries.

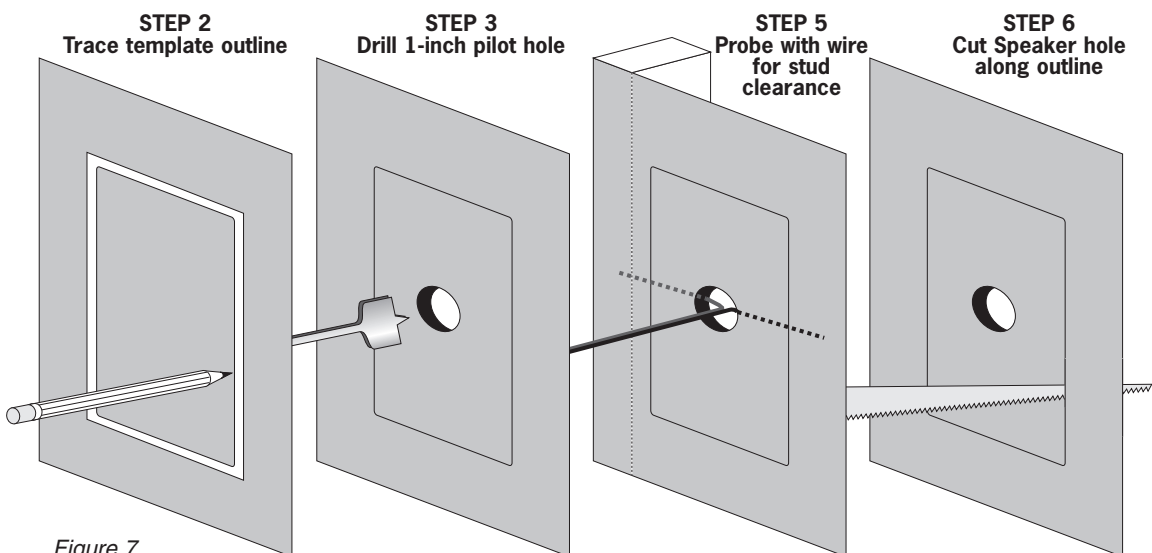


Figure 7

# HOW - Cutting Wall/Ceiling Opening for Speakers

**6** Carefully score the penciled outline of the template with a sharp utility knife to avoid chipping paint or tearing wallpaper. Then use a keyhole/drywall saw to cut along the scored line. Make sure you don't make it any larger than the marked outline.

- If you're dealing with lath and plaster or thick paneling, you'll need to use a different technique. Using a 1-inch flat bit, drill holes at the inside corners of the pencil outline. Be careful not to drill beyond the outline. Then use a fine-toothed keyhole saw or a hacksaw blade and with VERY slow strokes, saw through the surface.

**7** Temporarily place the speaker's outer mounting frame into the cut-out to insure that it fits properly. It's okay if the hole is slightly larger than the inner lip of the frame, as it will be covered by the frame's outer bezel. Actual installation must wait until after you've routed the speaker wires.

**8** Repeat steps 1 through 7 for the other speaker.

When installing speakers in an internal (non-insulated) wall, we recommend you place standard household fiberglass insulation (without a vapor barrier) within the wall cavity. This generally improves the sound produced by the speakers and slightly reduces the transmission of sound to the adjacent room. There will not be room to place insulation directly behind the woofer magnet, but

you can fill the rest of the cavity from top to bottom, or as far as you can access.

## JUNCTION BOX INSTALLATION

The following steps outline how to bring wires to the amplifier location. The speaker wires will be terminated in an outlet box attached to a stud (during construction), or a retrofit junction box or low-voltage mounting ring that clamps to the wallboard. You will cut a hole for the outlet box, run the wires through, and install the box.

**1** Determine the wire exit location on the wall. Identify the nearest stud using the stud finder techniques above.

**2** Using the outlet box as a template, trace a box just to the left or right of the nearest stud. Using the same 1-inch drill bit as before, drill a 1-inch hole in the center of the pencil outline you have drawn.

**3** Insert a bent wire into the hole and probe to the left and right to determine installation clearance.

**4** Install the retrofit junction box and cover it with an outlet plate which has connections for the speaker wire terminations. For your convenience, a full line of Russound PlateMate™ connection systems such as the PlateMate BP10D is available from your Russound dealer.

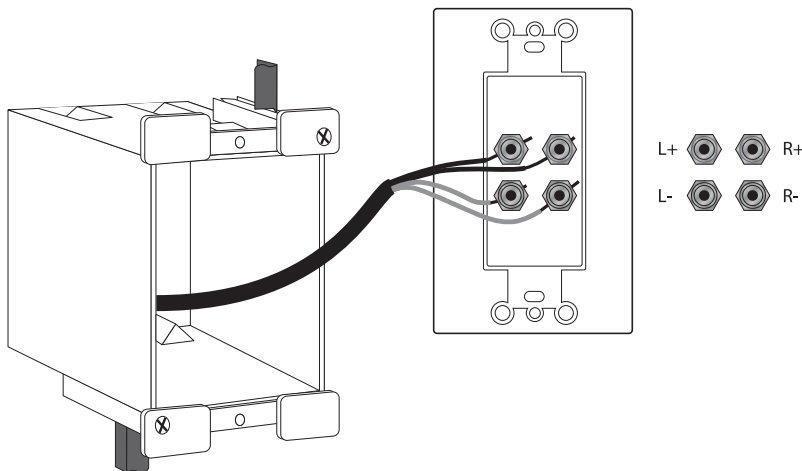


Figure 8





# HOW – Hooking up the Speakers

## HOW – HOOKING UP SPEAKERS IDENTIFYING POSITIVE AND NEGATIVE ("+” AND “-”)

Speaker wire consists of two conductors, and the wire should be manufactured so you can discriminate between the two. If your wire has transparent insulation, one conductor may be copper-colored and the other silver-colored. Generally, professionals denote the copper one as POSITIVE (+) and the silver one as NEGATIVE (-).

If you’re using wire with an opaque insulation covering, there will be one of the following differentiating markings:

1. A series of ribs or grooves on one conductor
2. A painted stripe or dotted line on one conductor
3. A string interwoven in the wire strands of one conductor

By convention, the marked conductor is positive (+) for connection at both ends.

NOTE: It is important that you label your wires “left” and “right” at both ends when you run them to eliminate confusion during the installation process.

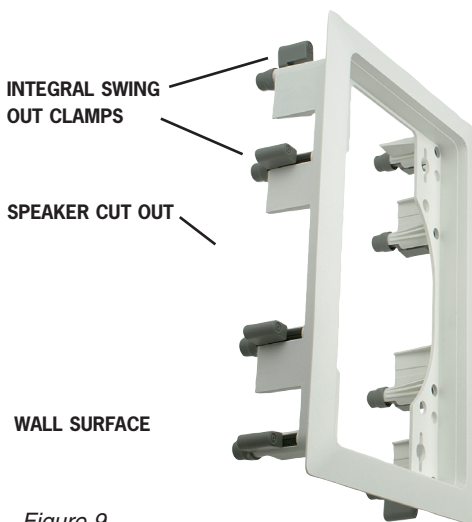
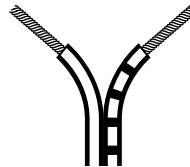


Figure 9

## AT THE SPEAKER END

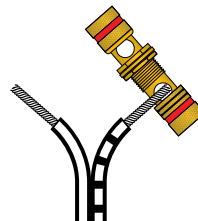
1. Mount the speaker frame as shown in Figure 9. Center and level the frame in the cut-out hole and tighten the #2 Phillips screws until the clamps rotate and are drawn up snugly from behind, clamping the frame in place. Tighten each screw snugly but do not over tighten.
2. Cut off excess wire, leaving about 2 feet extending through the frame.
3. Pull the speaker wire conductors apart so they’re separated for the first two inches from their ends.
4. Using a wire stripper, diagonal cutters, or a knife, carefully remove 1/2 inch of insulation from each conductor.

Figure 10



5. Twist the strands in each conductor into a tight spiral, as shown in Figure 10.
6. Attach the speaker wires to the red and black speaker terminals. Press down on the binding posts while inserting the wire into the hole. Connect the POSITIVE (+) conductor to the RED terminal and the NEGATIVE (-) conductor to the BLACK speaker terminal for correct polarity.
7. Make sure that no stray strands of wire are touching the other conductor.
8. Repeat Steps 1 through 7 for the other speaker(s).

Figure 11



# HOW – Hooking up the Speakers

## CONNECT TO THE AMPLIFIER (NO WALL CONNECTOR PLATE)

1. Cut off excess wire, leaving enough to easily reach from the wall opening to your stereo system. If there's a possibility that you may move the amplifier to another part of the room, consider leaving some excess wire coiled up. Coil wire into concentric circles and secure with a tie wrap or tape. If you've used sufficiently thick wire, this extra length will not affect speaker performance and could make re-routing easier if the room is rearranged later.
2. Pull the speaker wire conductors apart so they're separated for the last two inches from the end.
3. Using wire strippers, diagonal cutters, or a knife, carefully remove 1/2 inch of insulation from each conductor.
4. **IMPORTANT:** Before connecting the speaker wires to the amplifier/receiver, use a multimeter to test the speaker wires for short circuits. If there is indication of a short in the wiring, it must be corrected before the speakers are connected to the amplifier/receiver. Failure to do so may result in damage to the stereo equipment.
5. Connect the **POSITIVE (+)** conductor to the **RED** terminal and the **NEGATIVE (-)** conductor to the **BLACK** speaker terminal of the amplifier/receiver. For proper sound, the "left" and "right" speaker wires must be connected to the corresponding "left" and "right" speaker terminals on the amplifier/receiver.

## CONNECT TO THE AMPLIFIER (WALL CONNECTOR PLATE)

1. Route wiring through an electrical outlet box, retrofit junction box, or low voltage mounting ring. Mount the box or ring to the drywall.
2. Terminate the wires to a wall plate with binding posts (Russound PlateMate BP10D is suitable), attaching the **POSITIVE (+)** conductor to the **RED** terminal and the **NEGATIVE (-)** conductor to the **BLACK** terminal. Mount the wall plate to the outlet box.
3. Using the remaining speaker wire, cut two pieces long enough to reach from the wall plate to the back of the amplifier/receiver.
4. **IMPORTANT:** Before connecting the speaker wires to the amplifier/receiver, use a multimeter to test the speaker wires for short circuits. If there is indication of a short in the wiring, it must be corrected before the speakers are connected to the amplifier/receiver. Failure to do so may result in damage to the stereo equipment.
5. Terminate wiring at both ends, from the amplifier/receiver to the wall plate. Connect the **POSITIVE (+)** conductor to the **RED** terminal and the **NEGATIVE (-)** conductor to the **BLACK** speaker terminal of the amplifier/receiver. For proper sound, the "left" and "right" speaker wires must be connected to the corresponding "left" and "right" speaker terminals on the amplifier/receiver.
6. Repeat Steps 1 through 5 for the other speaker(s).

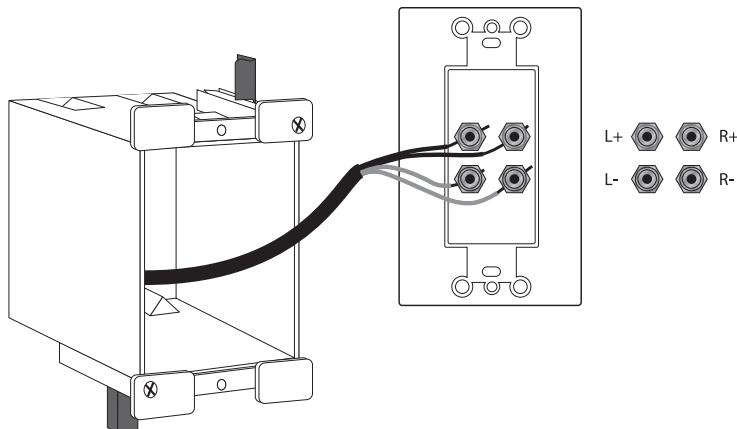


Figure 12

## HOW – FINAL ASSEMBLY OF SPEAKERS

Up to this point in the installation process you have located and cut the hole, mounted the speaker frame, run the wires, and connected them to the speaker baffle and to the amplifier/receiver. Now you will mount the speaker into the frame and attach the grille.

1. Place the speaker baffle into the frame. The symmetrical frame allows the Iso-Mount speaker to be installed right-side up or inverted, to direct the pivoting tweeter toward the intended listening position. Ideally, the tweeter should be as close to ear level as possible when you're seated in the prime listening position.

2. Turn the Twist & Lock locking fasteners in each corner a quarter turn clockwise to secure the baffle to the frame. They require some effort as you are also compressing the Iso-Mount gasket. Make sure the gasket is properly seated.

Figure 13

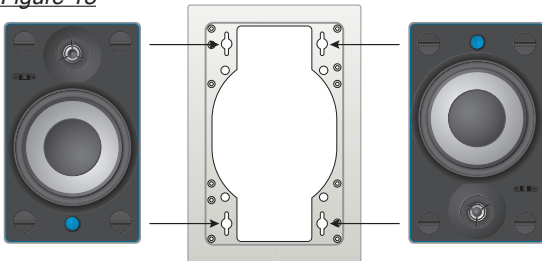
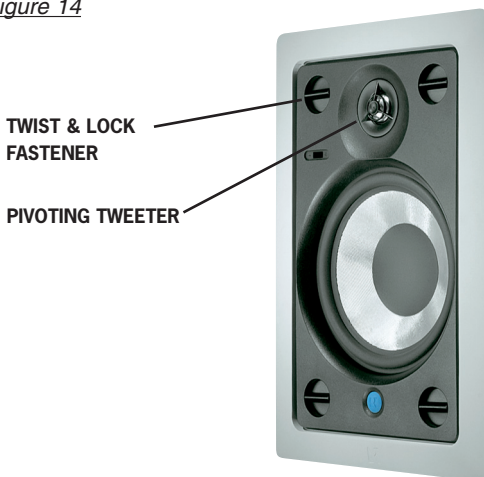


Figure 14

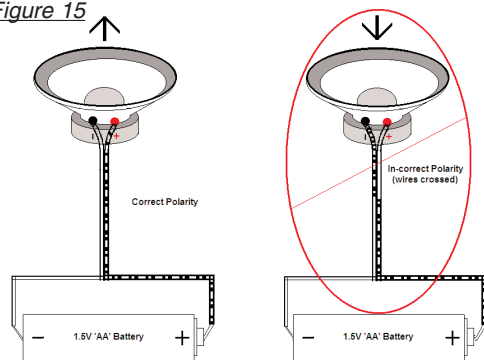


3. Insert the speaker grille by placing it over the speaker baffle and aligning its edges in the frame. Press gently into place, taking care not to scratch the frame finish. The grille is made from pliable, non-rusting aluminum. If the grille seems loose in the frame, gently remove it, carefully bend a slight flare on the outer edges, and re-insert into the frame.

## HOW - TESTING SPEAKER POLARITY AND CHANNEL CONNECTIONS

Before you put away all of your tools, it's a good idea to test the speaker polarity and channel connections. It is helpful if you've labeled your wires to identify the left and right speakers.

Figure 15



## TO TEST POLARITY:

Polarity refers to the positive (+) and negative (-) electrical elements of the speakers, wires, and connections. The test for polarity ensures that positive and negative wires and connections are not reversed. This test is performed with the speaker wires disconnected from the amplifier/receiver.

It is recommended that the wiring and speaker polarity be tested with a 1.5V AA battery. You'll need one person at the speaker end and one person at the exit end of the speaker wire near the amplifier/receiver.

1. While one person observes the woofer cone (grille removed for better visibility), the other person momentarily energizes the wire at the amplifier end with the 1.5V AA battery (the positive conductor at the positive end, the negative conductor at the negative end of the battery).



## HOW – Final Assembly of Speakers

2. If the woofer cone moves outwards when momentarily energized, the speaker is wired correctly. If the woofer cone moves inward, the polarity is reversed, and the wire's positive and negative conductors should be switched on the back of the speaker.

### TO TEST CHANNEL CONNECTIONS:

1. Turn on your stereo system. Make sure that the VOLUME control is turned down and that the BALANCE control is set to center.

2. Activate a musical source such as FM or CD player.

3. Slowly turn up the volume. You should hear music coming out of your new Russound Speakers. (If you don't, refer to the troubleshooting guide below.)

4. Make sure sound emanates from all speakers in the system.

5. Now rotate the stereo's BALANCE control all the way to the LEFT. Sound should only come from the left speaker. If sound comes from the right speaker when the stereo's balance control is turned to the LEFT, you'll need to swap the connections on the back of the amplifier/receiver.

6. FIRST turn DOWN the VOLUME and turn OFF the AMPLIFIER!

7. For Surround Sound use the level setting test tone built into most Surround Sound processors.

8. Swap the wires attached to the left and right speaker terminals.

9. Repeat steps 1 through 5.

### A QUICK TROUBLESHOOTING GUIDE

Before seeking service from your Russound dealer, please read through these troubleshooting tips for simple remedies.

### NO SOUND FROM EITHER SPEAKER:

1. Incorrect source selected on receiver or preamplifier

2. Mute button pressed on receiver

3. Wrong speaker output selected; many receivers have an "A" and "B" speaker switch

4. In-Wall Volume control not turned up or wired incorrectly

5. If using a speaker selector, room/station not turned on or improperly connected

6. Short circuit causing amplifier/receiver to power down or suffer damage

7. Wire disconnected

### NO SOUND FROM ONE SPEAKER:

1. Unsecured connection at either the speaker or amplifier/receiver

2. Balance control turned all the way left or right

3. Bad connecting cable between sound source and amplifier

4. Short circuit causing amplifier/receiver to power down or suffer damage

For any other speaker performance issues, contact your Russound dealer or call our Tech Services department at 603-659-5170.



## Speaker Specifications



Series: Music

Model: **SP-M6IM**

Description: Rectangular In-wall

Cut-Out: 10.75" H x 6.75" W (27.3 cm x 17.1 cm)

Woofer: 6.5" (16.5 cm) woven glass fiber

Tweeter: Pivoting 20mm (0.8") silk dome,  
fluid cooled

Recommended Power: 5 - 100 watts

Nominal Impedance: 8 Ohms

Efficiency: 89 dB (1W @ 1M w/1kHz)

Frequency Response: 50Hz - 20kHz +/- 3 dB

Frame: ABS plastic, symmetrical

Grille: Fine mesh aluminum

Mounting: Iso-Mount vibration damping with  
quarter-turn Twist & Lock fasteners

Dimensions: 12.25" H x 8.25" W (31.1 cm x 20.9 cm)



Series: Music

Model: **SP-M8IM**

Description: Rectangular In-wall

Cut-Out: 15.0" H x 9.25" W (38.1 cm x 23.5 cm)

Woofer: 8.0" (20.3 cm) woven glass fiber

Tweeter: Pivoting 25mm (1.0") silk dome,  
fluid cooled

Recommended Power: 5 - 120 watts

Nominal Impedance: 8 Ohms

Efficiency: 90 dB (1W @ 1M w/1kHz)

Frequency Response: 40Hz - 20kHz +/- 3 dB

Frame: ABS plastic, symmetrical

Grille: Fine mesh aluminum

Mounting: Iso-Mount vibration damping with  
quarter-turn Twist & Lock fasteners

Dimensions: 16.375" H x 10.625" W (41.5 cm x 26.9 cm)

# Specifications



Series: Hi-Fi  
Model: **SP-H6IM**  
Description: Rectangular In-wall  
Cut-Out: 10.75" H x 6.75" W (27.3 cm x 17.1 cm)  
Woofer: 6.5" (16.5 cm) woven glass fiber  
long throw  
Tweeter: Pivoting 20mm (0.8") aluminum dome,  
fluid cooled  
Recommended Power: 5 - 120 watts  
Nominal Impedance: 6 Ohms  
Efficiency: 90 dB (1W @ 1M w/1kHz)  
Frequency Response: 45Hz - 20kHz +/- 3 dB  
Frame: ABS plastic, symmetrical  
Grille: Fine mesh aluminum  
Mounting: Iso-Mount vibration damping  
with quarter-turn Twist & Lock fasteners  
Dimensions: 12.25" H x 8.25" W (31.1 cm x 20.9 cm)



Series: Hi-Fi  
Model: **SP-H8IM**  
Description: Rectangular In-wall  
Cut-Out: 15.0" H x 9.25" W (38.1 cm x 23.5 cm)  
Woofer: 8.0" (20.3 cm) woven glass fiber  
long throw  
Tweeter: Pivoting 25mm (1.0") aluminum dome,  
fluid cooled  
Recommended Power: 5 -140 watts  
Nominal Impedance: 6 Ohms nominal  
Efficiency: 91 dB (1W @ 1M w/1kHz)  
Frequency Response: 35Hz - 20kHz +/- 3 dB  
Frame: ABS plastic, symmetrical  
Grille: Fine mesh aluminum  
Mounting: Iso-Mount vibration damping  
with quarter-turn Twist & Lock fasteners  
Dimensions: 16.375" H x 10.625" W (41.5 cm x 26.9 cm)



## Warranty

All Russound Advantage Speaker products have a Limited Lifetime Warranty against defects in materials and workmanship. Proof of Purchase must accompany all claims. During the warranty period Russound will replace any defective part and correct any defect in workmanship without charge for either parts or labor.

Russound may replace returned speakers with a product of equal value and performance. In such cases, some modifications to the mounting may be necessary and are not Russound's responsibility.

For this warranty to apply, the unit must be installed and used according to its written instructions. If necessary, repairs must be performed by Russound. The unit must be returned to Russound at the owner's expense and with prior written permission. Accidental damage and shipping damage are not considered defects, nor is damage resulting from abuse or from servicing performed by an agency or person not specifically authorized in writing by Russound.

Russound products are sold only through authorized Dealers and Distributors to ensure that customers obtain proper support and service. Russound reserves the right to limit the warranty of products purchased from an unauthorized dealer or other source, including retailers, mail order sellers, and online sellers, to ninety (90) days from the date of purchase.

Damage to or destruction of components due to application of excessive power voids the warranty on those parts. In these cases, repairs will be made on the basis of the retail value of the parts and labor. To return for repairs, the unit must be shipped to Russound at the owner's expense, along with a note explaining the nature of service required. Be sure to pack the speaker(s) in a corrugated container with at least 3 inches of resilient material to protect the unit from damage in transit.

### This Warranty Does Not Cover:

- Damage caused by abuse, accident, misuse, negligence, or improper operation (installation).
- Products that have been altered or modified.
- Any product whose identifying number or decal, serial #, etc. has been altered, defaced or removed.
- Normal wear and maintenance.

Due to our continual efforts to improve product quality as new technology and techniques become available, Russound/FMP, Inc. reserves the right to revise speaker systems specifications without notice.

# **RR**Russound<sup>®</sup>

Russound  
5 Forbes Road, Newmarket, NH 03857  
tel 603.659.5170 • fax 603.659.5388  
e-mail: [tech@russound.com](mailto:tech@russound.com)  
[www.russound.com](http://www.russound.com)  
fax-on-demand: 603.659.5590

LR3130-0009



## Free Manuals Download Website

<http://myh66.com>

<http://usermanuals.us>

<http://www.somanuals.com>

<http://www.4manuals.cc>

<http://www.manual-lib.com>

<http://www.404manual.com>

<http://www.luxmanual.com>

<http://aubethermostatmanual.com>

Golf course search by state

<http://golfingnear.com>

Email search by domain

<http://emailbydomain.com>

Auto manuals search

<http://auto.somanuals.com>

TV manuals search

<http://tv.somanuals.com>