

SAMSUNG

User's Guide

SCX-5315F/5115

Digital Laser MFP
SCX-5315F
SCX-5115

User's Guide



For UK customers:
To reorder your consumables
Call 0800 3164060
For Technical Assistance
Call 0870 2420303

Visit us at:
www.samsungprinter.com

JC68-01054ARev. 1.00

This manual is provided for information purposes only. All information included herein is subject to change without notice. Samsung Electronics is not responsible for any changes, direct or indirect, arising from or related to use of this manual.

© 2003 Samsung Electronics Co., Ltd. All rights reserved.

- SCX-5315F, SCX-5115 and Samsung logo are trademarks of Samsung Electronics Co., Ltd.
- Centronics is a trademark of Centronics Data Computer Corporation.
- IBM and IBM PC are trademarks of International Business Machines Corporation.
- Microsoft, Windows, Windows 9x, Window Me, Windows 2000, Windows NT 4.0 and Windows XP are registered trademarks of Microsoft Corporation.
- All other brand or product names are trademarks of their respective companies or organizations.

CONTENTS

Chapter 1: GETTING STARTED

Unpacking	1.2
Component Location	1.4
Front View	1.4
Rear View	1.5
Control Panel Functions	1.6
SCX-5315F	1.6
SCX-5115	1.9
Making Connections	1.11
Installing the Drum and Toner Cartridges	1.14
Turning the Machine On	1.17
Loading Paper	1.17
Tray Setting the Paper Size	1.20
Changing the Display Language	1.20
Using Save Modes	1.21
Toner Save	1.21
Paper Save	1.21
Power Save	1.22

Chapter 2: INSTALLING SOFTWARE

About Samsung Software	2.2
MFP Driver	2.2
SmarThru Software	2.2
OCR Software (<i>AnyPage Lite</i>)	2.2
System Requirements	2.3
Installing Samsung Software	2.4
Uninstalling Samsung Software	2.8
Uninstalling the MFP Driver	2.8
Uninstalling Samsung SmarThru	2.10
Using the SmarThru CD-ROM	2.12

Chapter 3: PAPER HANDLING

Selecting Print Media	3.2
Paper Guidelines	3.3
TrayLoading Paper in the Tray	3.4
Using the Multi-Purpose Tray	3.6
Setting the Paper Size for Copying	3.9

Chapter 4: COPYING

Loading Paper for Copy Output	4.2
Selecting a Paper Tray	4.2
Making Copies from the Automatic Document Feeder	4.3
Making Copies using the Document Glass	4.4
Setting Copy Options	4.6
Image	4.6
Contrast	4.7
Set	4.7
Zoom	4.8
Auto Fit Copying	4.9
Clone Copying	4.10
Duplex Copying	4.11
Collation Copying	4.12

Chapter 5: PRINTING

Printing a Document	5.2
Printer Settings	5.3
Accessing Printer Settings	5.3
Printer Properties Tabs	5.4
Printer Properties Buttons & Icons	5.12
Setting Up the Locally Shared Printer	5.12
In Windows 9x/Me	5.12
In Windows NT 4.0/2000/XP	5.13

Chapter 6: SCANNING

Scanning using the Samsung SmarThru	6.2
Scanning Process with TWAIN-enabled Software	6.4

Chapter 7: MAINTENANCE

Cleaning the Scan Unit	7.2
Expected Cartridge Life	7.3
Replacing the Toner Cartridge	7.3
Setting to Notify Toner Low	7.7
Cleaning the Drum	7.8
Replacing the Drum Cartridge	7.8
Consumables and Replacement Parts	7.11

Chapter 8: TROUBLESHOOTING

Document Jams	8.2
Input Misfeed	8.2
Exit Misfeed	8.3
Roller Misfeed	8.3
Paper Jams	8.4
Paper Feed Area	8.4
Fuser Area	8.6
Paper Exit Area	8.7
Duplex Jam	8.9
Multi-Purpose Tray Jam	8.10
LCD Error Messages	8.11
Solving Problems	8.13
Copier Problem Solution Chart	8.13
Printing Problem Solution Chart	8.15
Fax Problem Solution Chart	8.18

Appendix A: INSTALLING A NETWORK OPTION

Installing a Network Interface Card	A.2
Configuring Network Parameters	A.6
Supported Operating Systems	A.7
Printing a Network Configuration Page	A.7
Configuring TCP/IP	A.8
Configuring Netware	A.10
Restoring the Network Configuration	A.11
Resetting the Network Interface Card	A.11
Configuring the Samsung Network Printer Port	A.12
Installing Samsung Network Printer Port	A.12
Selecting the Samsung Network Printer Port	A.13

Appendix B: SPECIFICATIONS

General Specifications	B.2
Scanner and Copy Specifications	B.3
Printer Specifications	B.4
Facsimile Specifications	B.4

Important Precautions and Safety Information

When using this product, these basic safety precautions should always be followed to reduce risk of fire, electric shock, and injury to persons:

1. Read and understand all instructions.
2. Use common sense whenever operating electrical appliances.
3. Follow all warnings and instructions marked on the product and in the literature accompanying the product.
4. If an operating instruction appears to conflict with safety information, heed the safety information. You may have misunderstood the operating instruction. If you cannot resolve the conflict, contact your sales or service representative for assistance.
5. Unplug the product from the AC wall socket and/or telephone jack before cleaning. Do not use liquid or aerosol cleaners. Use only a damp cloth for cleaning.
6. Do not place the product on an unstable cart, stand, or table. It may fall, causing serious damage.
7. Your product should never be placed on, near, or over a radiator, heater, air conditioner, or ventilation duct.
8. Do not allow anything to rest on the power lead. Do not locate your product where the cords will be abused by persons walking on them.
9. Do not overload wall outlets and extension cords. This can diminish performance, and may result in the risk of fire or electric shock.
10. Do not allow pets to chew on the AC power, telephone, or PC interface cords.
11. Never push objects of any kind into the product through case or cabinet openings. They may touch dangerous voltage points, creating a risk of fire or shock. Never spill liquid of any kind onto or into the product.
12. Your product may have a heavy cover for optimal pressure on the document for the best scanning and/or faxing (usually the flatbed-type product). In this case, replace the cover after placing a document on the scan glass, by holding it and moving it down slowly until it sits back on the product.
13. To reduce the risk of electric shock, do not disassemble the product. Take it to a qualified service technician when repair work is required. Opening or removing covers may expose you to dangerous voltages or other risks. Incorrect reassembly could cause electric shock when the unit is subsequently used.
14. Unplug the product from the telephone jack, PC and AC wall outlet, and refer servicing to qualified service personnel under the following conditions:
 - When any part of the power cord, plug, or connecting cable is damaged or frayed.

- If liquid has been spilled into the product.
 - If the product has been exposed to rain or water.
 - If the product does not operate properly after instructions have been followed.
 - If the product has been dropped, or the cabinet appears damaged.
 - If the product exhibits a sudden and distinct change in performance.
15. Adjust only those controls covered by the operating instructions. Improper adjustment of other controls may result in damage, and may require extensive work by a qualified service technician to restore the product to normal operation.
 16. Avoid using this product during a lightning storm. There may be a remote risk of electric shock from lightning. If possible, unplug the AC power and telephone cord for the duration of the lightning storm.
 17. SAVE THESE INSTRUCTIONS FOR FUTURE REFERENCE.


Laser Safety Statement

The printer is certified in the U.S. to conform to the requirements of DHHS 21 CFR, chapter 1 Subchapter J for Class I(1) laser products, and elsewhere is certified as a Class I laser product conforming to the requirements of IEC 825.

Class I laser products are not considered to be hazardous. The laser system and printer are designed so there is never any human access to laser radiation above a Class I level during normal operation, user maintenance, or prescribed service condition.

WARNING

Never operate or service the printer with the protective cover removed from Laser/Scanner assembly. The reflected beam, although invisible, can damage your eyes.



CAUTION - INVISIBLE LASER RADIATION □
WHEN THIS COVER OPEN. □
DO NOT OPEN THIS COVER.

VORSICHT - UNSICHTBARE LASERSTRAHLUNG, □
WENN ABDECKUNG GEÖFFNET. □
NICHT DEM STRAHL AUSSETZEN.

ATTENTION - RAYONNEMENT LASER INVISIBLE EN CAS □
D'OUVERTURE. EXPOSITION DANGEREUSE □
AU FAISCEAU. □

ATTENZIONE - RADIAZIONE LASER INVISIBLE IN CASO DI □
APERTURA. EVITARE L'ESPOSIZIONE AL FASCIO.

PRECAUCION - RADIACION LASER INVISIBLE CUANDO SE ABRE. □
EVITAR EXPONERSE AL RAYO.

PERIGO - RADIACION LASER INVISIBLE AO ABRIR. EVITE □
EXPOSICAO DIRECTA AO FEIXE.

GEVAAR - ONZICHTBARE LASERSTRALEN BIJ GEOPENDE □
KLEP. DEZE KLEP NIET OPENEN.

ADVARSEL - USYNLIG LASERSTRÖLNING VID ÖPNING, NÖR □
SIKKERHEDSBRYDERE ER UDE AF FUNKTION. □
UNDDØ UDSÆTTELSE FOR STRÖLNING.

ADVARSEL - USYNLIG LASERSTRÖLNING NÖR DEKSEL □
ÖPNES. STIRR IKKE INN I STRÖLEN. UNNGÖ □
EKSPONERING FOR STRÖLEN.

WARNING - OSYNLIG LASERSTRÖLNING NÖR DENNA DEL □
ÖR ÖPPEN OCH SPÖRREN ÖR URKOPPLAD. □
BETRAKTA EJ STRÖLEN. STRÖLEN ÖR FARLIG.

VARO! - AVATTAESSA JA SUOJALUKITUS OHITETTAESSA □
OLET ALTTIINA NÖKYMÖTTÖMÖLLE LASER-□
SÖTEILYLLE ÖLÖ KATSO SÖTEESEEN.

注 意 - 严禁揭开此盖, 以免激光泄露灼伤
主 意 - 이 덮개를 열면 레이저광에 노출될 수 있으므로
주의하십시오.

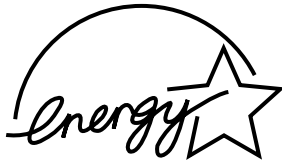
Ozone Safety



During normal operation, this product produces ozone. The ozone produced does not present a hazard to the operator. However, it is advisable that the product be operated in a well ventilated area.

If you need additional information about ozone, please request your nearest Samsung dealer.

Power Saver

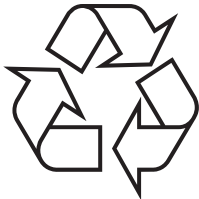


This product contains advanced energy conservation technology that reduces power consumption when it is not in active use.

When the product does not receive data for an extended period of time, power consumption is automatically lowered.

The energy star emblem does not represent EPA endorsement of any product or service.

Recycling



Please recycle or dispose of the packaging material for this product in an environmentally responsible manner.

Radio Frequency Emissions

FCC Information to the User

This equipment has been tested and found to comply with the limits for a Class A digital device, pursuant to Part 15 of the FCC Rules. These limits are designed to provide reasonable protection against harmful interference when the equipment is operated in a commercial environment. This equipment generates, uses and can radiate radio frequency energy and, if not installed and used in accordance with the instruction manual, may cause harmful interference to radio communications. Operation of this equipment in a residential area is likely to cause harmful interference in which case the user will be required to correct the interference at his own expense.

Canadian Radio Interference Regulations

This digital apparatus does not exceed the Class A limits for radio noise emissions from digital apparatus as set out in the interference-causing equipment standard entitled "Digital Apparatus", ICES-003 of the Industry and Science Canada.

Cet appareil numérique respecte les limites de bruits radioélectriques applicables aux appareils numériques de Classe A prescrites dans la norme sur le matériel brouilleur: "Appareils Numériques", ICES-003 édictée par l'Industrie et Sciences Canada.

Fax Branding

The Telephone Consumer Protection Act of 1991 makes it unlawful for any person to use a computer or other electronic device to send any message via a telephone facsimile machine unless such message clearly contains in a margin at the top or bottom of each transmitted page or on the first page of the transmission the following information:

- (1) the date and time of transmission
- (2) identification of either business, business entity or individual sending the message; and
- (3) telephone number of either the sending machine, business, business entity or individual.

Refer to the Facsimile User's Guide for instructions on how to enter this information into your product's memory.

The Telephone Company may make changes in its communications facilities, equipment operations, or procedures where such action is reasonably required in the operation of its business and is not inconsistent with the rules and regulations in FCC Part 68. If such changes can be reasonably expected to render any customer terminal equipment incompatible with telephone company communications facilities, or require modification or alteration of such terminal equipment, or otherwise materially affect its use or performance, the customer shall be given adequate notice in writing, to allow the customer an opportunity to maintain uninterrupted service.

Ringer Equivalence Number

The Ringer Equivalence Number and FCC Registration Number for this product may be found on the label located on the bottom or rear of the product. In some instances you may need to provide these numbers to the telephone company.

The Ringer Equivalence Number (REN) is a measure of the electrical load placed on the telephone line, and is useful for determining whether you have "overloaded" the line. Installing several types of equipment on the same telephone line may result in problems making and receiving telephone calls, especially ringing when your line is called. The sum of all Ringer Equivalence Numbers of the equipment on your telephone line should be less than five in order to assure proper service from the telephone company. In some cases, a sum of five may not be usable on your line. If any of your telephone equipment is not operating properly, you should immediately remove it from your telephone line, as it may cause harm to the telephone network.

WARNING:

FCC Regulations state that changes or modifications to this equipment not expressly approved by the manufacturer could void the user's authority to operate this equipment. In the event that terminal equipment causes harm to the telephone network, the telephone company should notify the customer that service may be stopped. However, where prior notice is impractical, the company may temporarily cease service, providing that they:

- a) Promptly notify the customer.
- b) Give the customer an opportunity to correct the equipment problem.
- c) Inform the customer of the right to bring a complaint to the Federal Communication Commission pursuant to procedures set out in FCC Rules and Regulations Subpart E of Part 68.

You should also know that:

- Your product is not designed to be connected to a digital PBX system.
- If you intend to use a computer modem or fax modem on the same phone line as your product, you may experience transmission and reception problems with all the equipment. It is recommended that no other equipment, except for a regular telephone, share the line with your product.
- If your area experiences a high incidence of lightning or power surges, we recommend that you install surge protectors for both the power and the telephone lines. Surge protectors can be purchased from your dealer or telephone and electronic specialty stores.
- When programming emergency numbers and/or making test calls to emergency numbers, use a non-emergency number to advise the emergency service dispatcher of your intentions. The dispatcher will give you further instructions on how to actually test the emergency number.
- This product may not be used on coin service or party lines.
- This product provides magnetic coupling to hearing aids.
- You may safely connect this equipment to the telephone network by means of a standard modular jack, USOC RJ-11C.

Declaration of Conformity (European Countries)

Approvals and Certifications



The CE marking applied to this product symbolises Samsung Electronics Co., Ltd. Declaration of Conformity with the following applicable 93/68/EEC Directives of the European Union as of the dates indicated:

January 1, 1995: Council Directive 73/23/EEC Approximation of the laws of the member states related to low voltage equipment.

January 1, 1996: Council Directive 89/336/EEC (92/31/EEC), approximation of the laws of the Member States related to electromagnetic compatibility.

March 9, 1999: Council Directive 1999/5/EC on radio equipment and telecommunications terminal equipment and the mutual recognition of their conformity.

A full declaration, defining the relevant Directives and referenced standards can be obtained from your Samsung Electronics Co., Ltd. representative.

EC Certification

Certification to 1999/5/EC Radio Equipment & Telecommunications Terminal Equipment Directive (FAX)

This Samsung product has been self-certified by Samsung for pan-European single terminal connection to the analogue public switched telephone network (PSTN) in accordance with Directive 1999/5/EC. The product has been designed to work with the national PSTNs and compatible PBXs of the European countries:

In the event of problems, you should contact the Euro QA Lab of Samsung Electronics Co., Ltd. in the first instance.

The product has been tested against TBR21. To assist in the use and application of terminal equipment which complies with this standard, the European Telecommunication Standards Institute (ETSI) has issued an advisory document (EG 201 121) which contains notes and additional requirements to ensure network compatibility of TBR21 terminals. The product has been designed against, and is fully compliant with, all of the relevant advisory notes contained in this document.

Replacing the Fitted Plug (for UK Only)

IMPORTANT

The mains lead for this machine is fitted with a standard (BS 1363) 13 amp plug and has a 13 amp fuse. When you change or examine the fuse, you must re-fit the correct 13 amp fuse. You then need to replace the fuse cover. If you have lost the fuse cover, do not use the plug until you have another fuse cover.

Please contact the outlet you purchased the machine from.

The 13 amp plug is the most widely used type in the UK and should be suitable. However, some buildings (mainly old ones) do not have normal 13 amp plug socket. You will need to buy a suitable plug adaptor. Do not remove the moulded plug.

WARNING

If you cut off the moulded plug, dispose of it immediately. You cannot rewire the plug and you may receive an electric shock if you plug it into a socket.

IMPORTANT WARNING: You must earth this machine.

The wires in the mains lead have the following colour code:

- Green and Yellow: Earth
- Blue: Neutral
- Brown: Live

If the wires in the mains lead do not match the colours marked in your plug, do the following:

You must connect the green and yellow wire to the pin marked by the letter 'E', or by the safety 'Earth symbol' or coloured green and yellow or green.

You must connect the blue wire to the pin which is marked with the letter 'N' or coloured black.

You must connect the brown wire to the pin which is marked with the letter 'L' or coloured red.

You must have a 13 amp fuse in the plug, adaptor, or at the distribution board.



ELECTRONICS

EU Declaration of Conformity (R&TTE)

We, Samsung Electronics Co., Ltd.

1. Samsung Electronics Co., Ltd.

..... #259, Gongdan-dong, Gumi-City, Gyungbuk, KOREA, 730-030

(factory name, address)

declare under our sole responsibility that the product

Multi-Function Laser Printer model
"SCX-5315F , SCX-5115 (Samsung),
Workcentre M15i , M15 (Xerox)"

to which this declaration relates is in conformity with

R&TTE Directive 1999/5/EC (Annex II)
Low Voltage Directive 73/23/EEC
EMC Directive 89/336/EEC;92/31/EEC and 93/68/EEC

By application of the following standards

R&TTE : TBR 21

LVD : EN 60950:2000

EMC : EN55022:1998+A1:2000, EN61000-3-2:2000, EN61000-3-3:1995+A1:2001,
EN55024:1998+A1:2001

(Manufacturer)

Samsung Electronics Co., Ltd.
#259, Gongdan-Dong, Gumi-City
Gyungbuk, Korea 710-010

2003-03-14

.....
(place and date of issue)

Whan-Soon Yim / Senior Manager

.....
(name and signature of authorized person)

(Representative in the EU)

Samsung Electronics Euro QA Lab.
Blackbushe Business Park
Saxony Way, Yateley, Hampshire
GU46 6GG, UK

2003-03-14

.....
(place and date of issue)

In-Seop Lee / Manager

.....
(name and signature of authorized person)

NOTE: Any queries, problems or requests for accessories/Information as well as service should be directed at the address shown in your warranty paperwork.

1

GETTING STARTED

Thank you for purchasing Samsung multifunctional product. This machine provides printing, copying, scanning, and faxing (SCX-5315F only) functions!

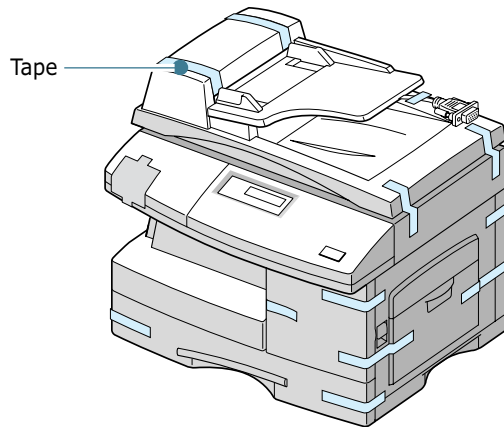
This chapter provides step-by-step instructions on setting up the machine, and installing the software.

This chapter includes:

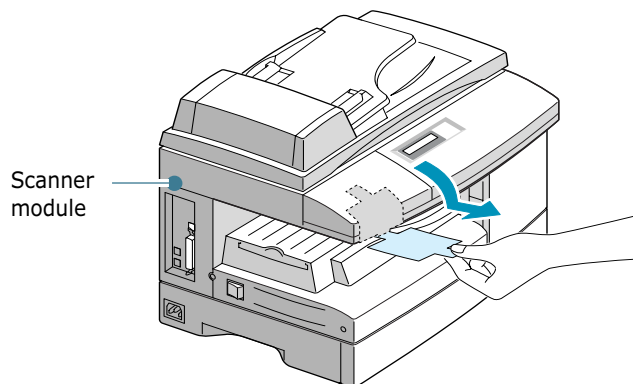
- **Unpacking**
- **Component Location**
- **Control Panel Functions**
- **Making Connections**
- **Installing the Drum and Toner Cartridges**
- **Turning the Machine On**
- **Loading Paper**
- **Tray Setting the Paper Size**
- **Changing the Display Language**
- **Using Save Modes**

Unpacking

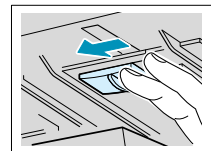
- 1 Remove the shipping tape from the front, back, and sides of the machine.



- 2 Remove the label completely from the scanner module by pulling it straight out, away from the unit. The scan unlock switch automatically moves to the unlock position (🔓).

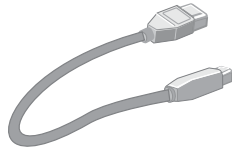


NOTE: To scan or copy a document, the switch must be on that position. When you are moving the machine or do not intend to use it for a long time, push the switch to the lock position (🔒).

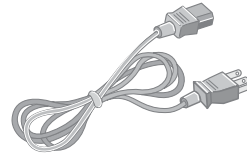


- 3 Pull open the paper Tray and remove the packing material from the paper Tray.

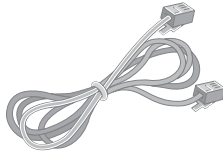
4 Ensure that you have the following:



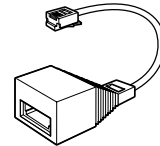
USB Cable



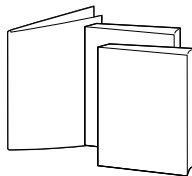
AC Power Cord*



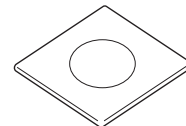
Telephone Line Cord*
(For SCX-5315F only)



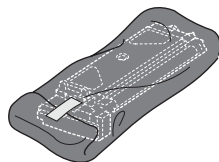
TAM Lead
(For SCX-5315F UK only)



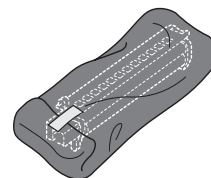
**This User's Guide,
Facsimile User's Guide
(SCX-5315F only),
Quick Install Guide**



CD-ROM†



Starter Toner Cartridge



Drum Cartridge

*. The appearance of the power cord and the telephone line cord vary according to countries.

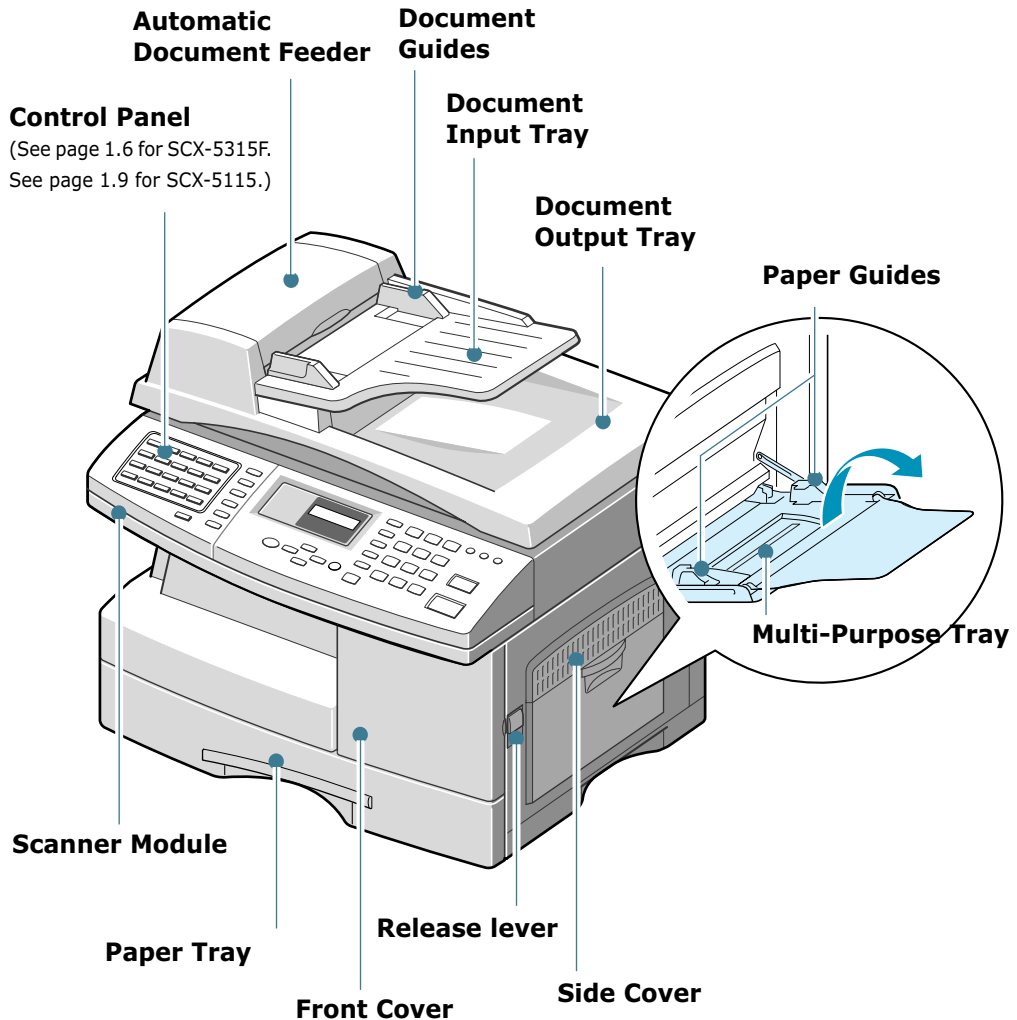
†. The CD-ROM contains the MFP driver, SmarThru software, the SmarThru user's guides and the Adobe Acrobat Reader program.

NOTE: You can purchase and install an optional Network Print Server. For details, see Appendix A, "Installing a Network Option."

Component Location

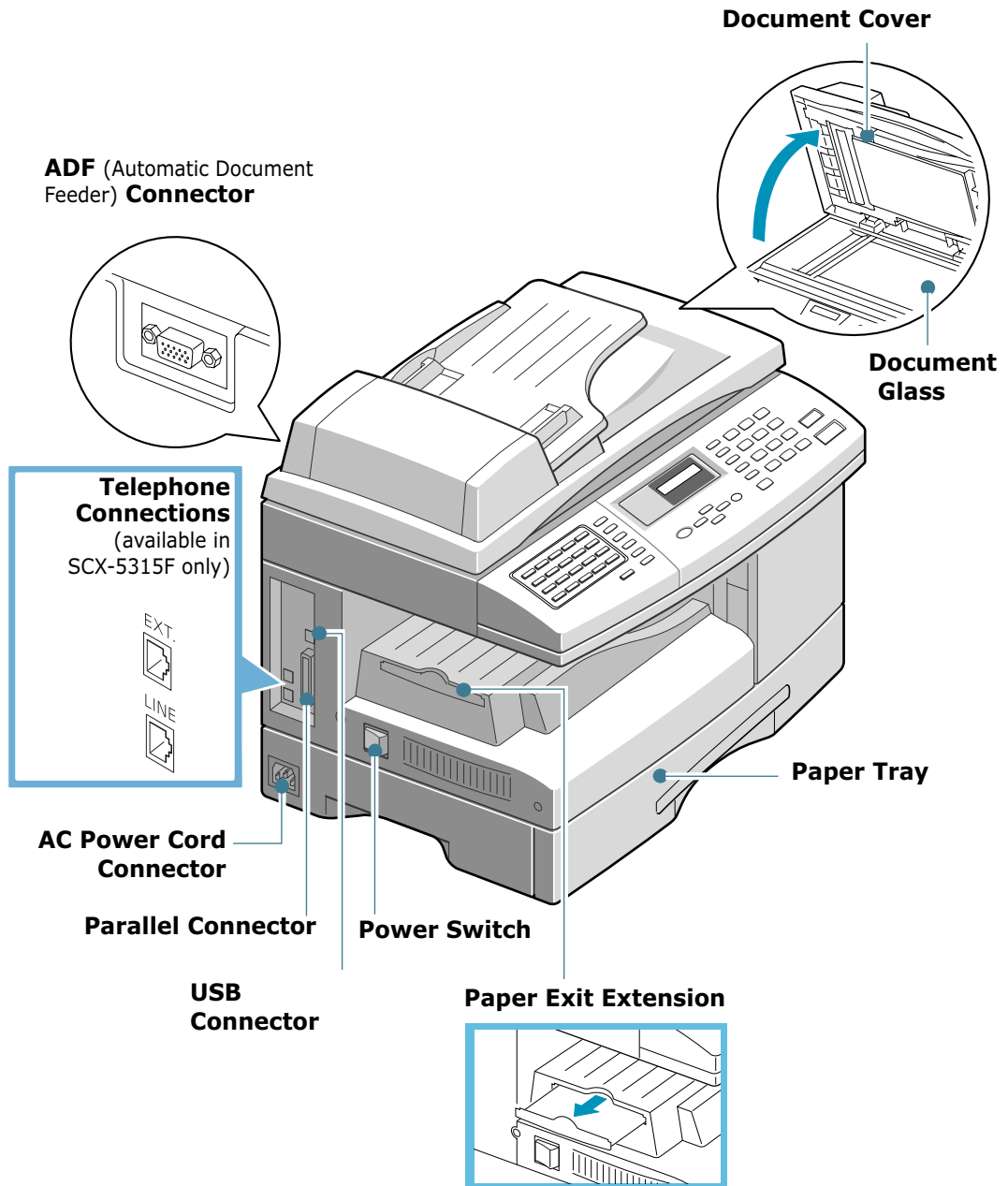
Take a moment to familiarise yourself with the main components of your machine.

Front View



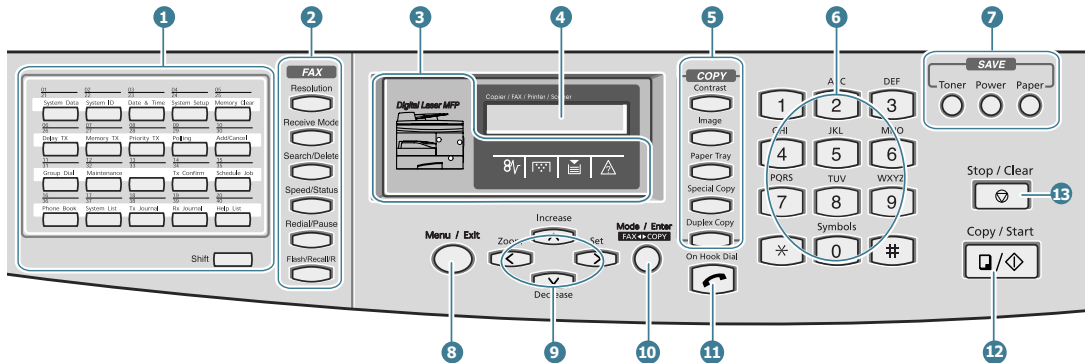
Rear View

1

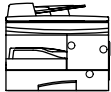
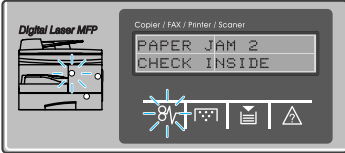
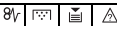



















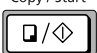

Control Panel Functions

SCX-5315F



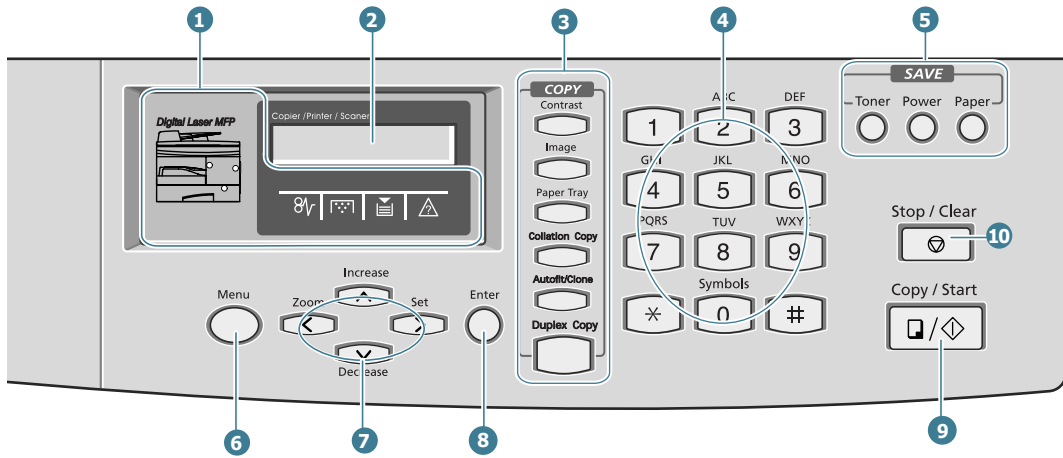
1		Used to store frequently dialed fax numbers and dial them with the touch of one button. Also use in conjunction with the Menu/Exit button to access the corresponding menu function.
	Shift	Allows you to shift one-touch buttons to the locations 21 through 40.
F A X		Adjusts the resolution of the current fax job documents.
		Used to choose the receive mode. The selected mode is displayed in Standby mode.
		Used to search for a number in the memory. Also used to delete digits in editing mode.
		Used to store frequently dialed fax numbers and dial them using the associated 2-digit speed dial number. Also used to alternately display alternately the currently active job and any pending jobs.
		Redials the last number in Standby mode or inserts a pause into a fax number in the edit mode.
		Used to perform a hook-switch operation, such as call waiting.

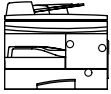
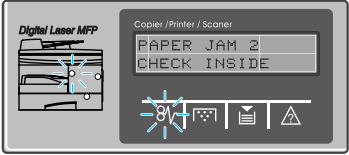




<p>3</p>	 <p>(status map)</p>	<p>When an error occurs, the light on the corresponding location on the Status map turns on, as well as the error indicator, and the error message appears on the display so that you can locate the error. For details on the meaning of the error messages, see page 8.11.</p>  <p>▲ ex) The paper is jammed in the exit area.</p>
<p>4</p>	 <p>(Error indicators)</p>	<p>8V Turns on when a paper jam occurs. To clear the jam, see page 8.4.</p> <p>☼ Turns on when the toner or drum has almost run out. To replace the toner or drum cartridge, see page 7.3 and page 7.8.</p> <p>☰ Turns on when the input tray you are using is empty. To load paper, see page 1.17.</p> <p>⚠ Turns on when an error occurs on the system.</p>
<p>4</p>		<p>Displays the current status and prompts during operation.</p>
<p>5</p> <p>COPY</p>	<p>Contrast</p>  <p>Image</p>  <p>Paper Tray</p>  <p>Special Copy</p>  <p>Duplex Copy</p> 	<p>Used to adjust the contrast of the current copy or fax job.</p> <p>Used to select the text type for the current copy job or fax job.</p> <p>Used to specify the paper tray you want to use in Fax or Copy mode.</p> <p>Used to set up special copy features, such as AutoFit, Clone, and Collation.</p> <p>The current copy job will use both sides of the paper when printed.</p>
<p>6</p>		<p>Used to dial a number or enter alphanumeric characters.</p>

















7 S A V E	Toner 	Allows you to save toner by using less toner to print a document.
	Power 	Allows you to save power by reducing power consumption when not printing.
	Paper 	Allows you to save paper by printing 2 pages on a single sheet of paper (available in the Copy mode only).
8	Menu / Exit 	Enters the menu functions in conjunction with the one-touch buttons. Also backs you up to the previous menu level or exits the menu.
9*	Increase  Decrease 	Scrolls through the menu items. When you set the copy size or the copy page number, they can be used to change the number.
	Zoom Set  	Scrolls through the options available for the selected menu item. In the Copy mode, < allows you to change the zoom rate and > to change the number of copies.
10	Mode / Enter FAX / COPY 	Selects the mode to activate: FAX or COPY. Also, confirms the selection on the display.
11	On Hook Dial 	Engages the telephone line.
12	Copy / Start 	Used to start a job.
13	Stop / Clear 	Used to stop an operation at any time. Also, used to clear/cancel the copy options such as the zoom rate and multi copy pages in Copy mode.

* Navigation buttons

SCX-5115



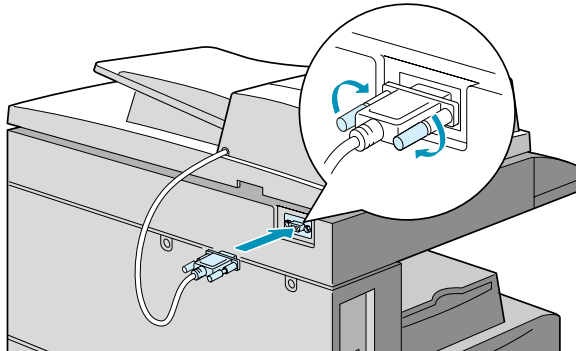
<p>1</p>	 <p>(status map)</p>	<p>When an error occurs, the light on the corresponding location on the Status map turns on, as well as the error indicator, and the error message appears on the display so that you can locate the error. For details on the meaning of the error messages, see page 8.11.</p>  <p>▲ ex) The paper is jammed in the exit area.</p>
		<p>Turns on when a paper jam occurs. To clear the jam, see page 8.4.</p>
		<p>Turns on when the toner or drum almost runs out. To replace the toner or drum cartridge, see page 7.3 and page 7.8.</p>
	 <p>(Error indicators)</p>	<p>Turns on when the input tray you are using is empty. To load paper, see page 1.17.</p>
<p>2</p>		<p>Displays current status and prompts during operation.</p>

3 COPY		Used to adjust the contrast of the current copy job.
		Used to select the text type for the current copy job.
		Used to specify the paper tray you want to use in Copy mode.
		Used to collate the copied documents.
		Used to print the original image to fit the page (Auto Fit) or to print multiple copies on a single page (Clone).
		The current copy job will use both sides of the paper when printed.
4		Used to enter numbers.
5 SAVE		Allows you to save toner by using less toner to print a document.
		Allows you to save power by reducing power consumption when not printing.
		Allows you to save paper by printing 2 pages on a single sheet of paper (available in the Copy mode only).
6		Enters the Menu mode.
7		Scrolls through the menu items. When you set the copy size or the copy page number, they can be used to change the number.
		Scrolls through the options available for the selected menu item. The < button allows you to change the zoom rate and the > button to change the number of copies.
8		Confirms the selection on the display.
9		Used to start a job.
10		Used to stop an operation at any time. Also, used to clear/cancel the copy options such as the zoom rate and multi copy pages in Copy mode.

Making Connections

1

- 1 Connect the ADF (Automatic Document Feeder) cord to this port and fasten the side screws.



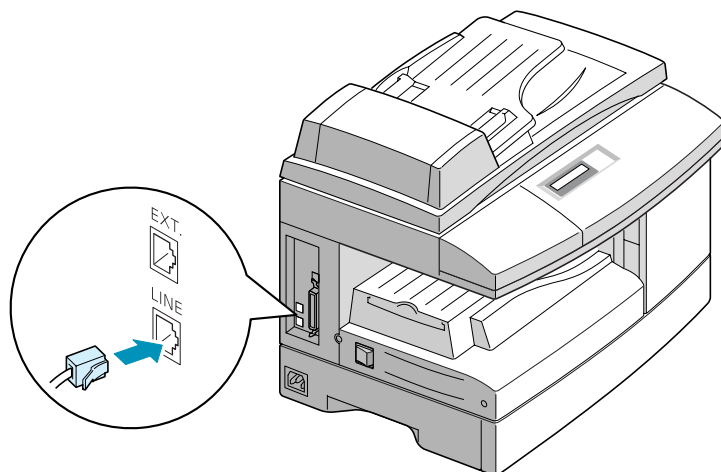
NOTE: Without connecting the cord to the port, you cannot use the ADF.

2 If you have SCX-5115:

Skip this step and proceed to step 3.

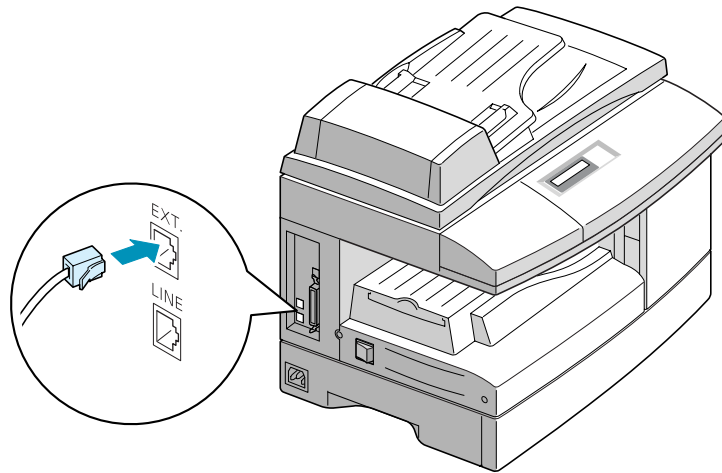
If you have SCX-5315F:

Connect the supplied telephone line to the **LINE** jack and the other end to the wall jack.

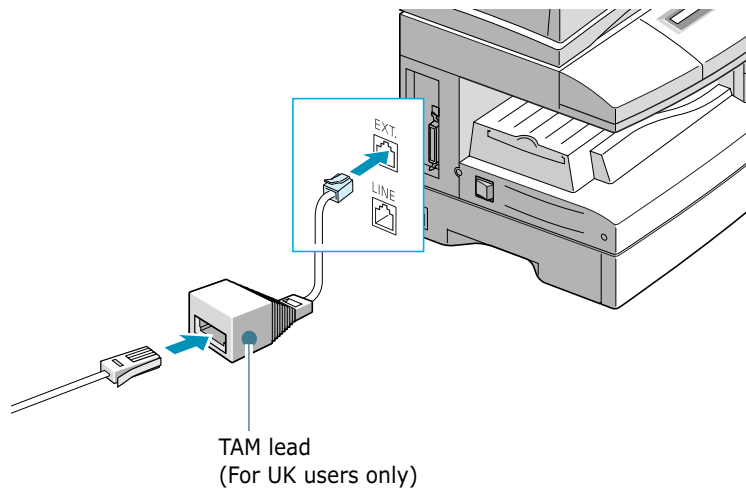


If you want to use your machine for receiving both faxes and voice calls, you will need to connect a telephone and/or answering machine to your machine.

Plug the cord of your extension phone or answering machine into the **EXT** jack.



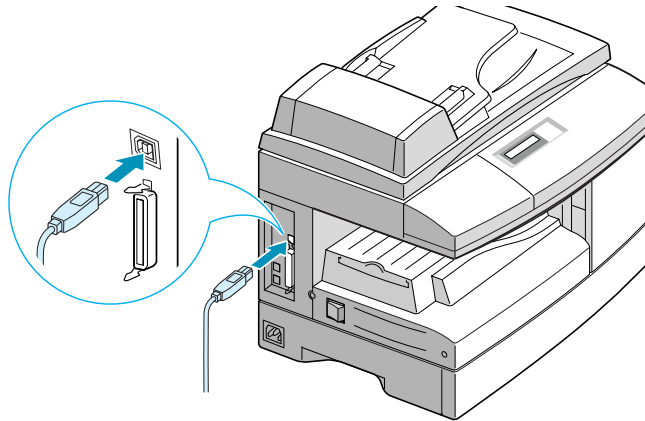
UK users should plug the cord of the extension phone into the supplied TAM lead and plug the cord of the TAM lead into the **EXT** jack on the back of your machine.



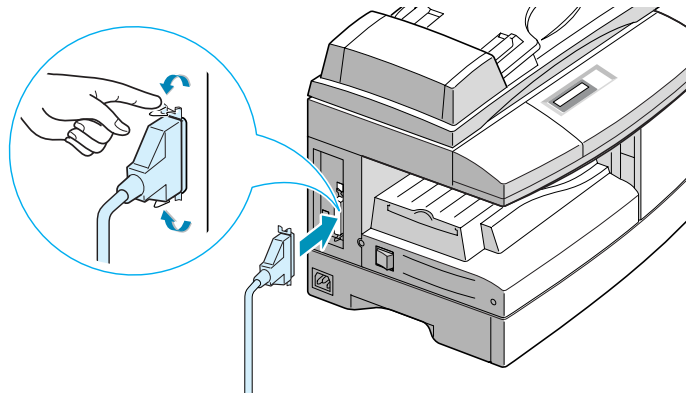
NOTES:

- For UK users, use the TAM lead and the telephone line cord supplied with your machine.
- You should use the telephone line cord which is supplied with your machine. If you are replacing it with another vendor's, it should be AWG #26 or lower gage.

3 Connect the USB cable which came with your machine.



If you want to use a parallel printer cable, only use a IEEE-1284 compliant cable and connect it to the parallel connector on your machine.

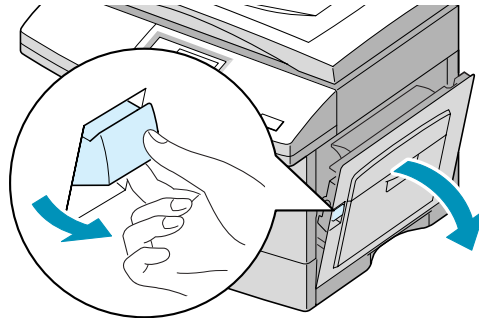


NOTE:

- To connect the machine to the parallel port of the computer requires a certified parallel cable. You will need to buy the a IEEE1284 compliant cable.
- You only need to connect one of the above cables.
- If you are using a USB cable, you must be running Windows 98/Me/2000/XP.
- When using the a USB connection, your machine provides two USB modes; Fast and Slow. Fast is the default mode. Some PC user may experience poor USB function in the default mode. If this occurs, select the Slow mode to achieve successful results. For details on changing the USB mode, see page 8.16.

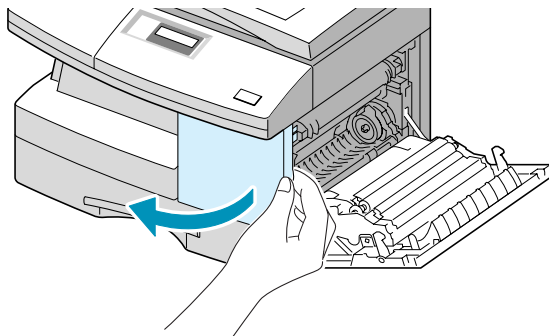
Installing the Drum and Toner Cartridges

- 1 Pull the release lever to open the side cover.

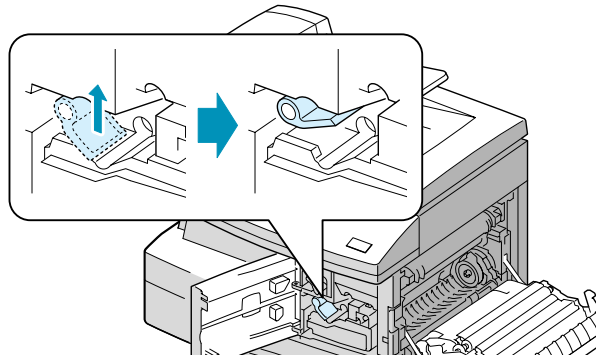


CAUTION: Ensure that the side cover is always open before opening the front cover.

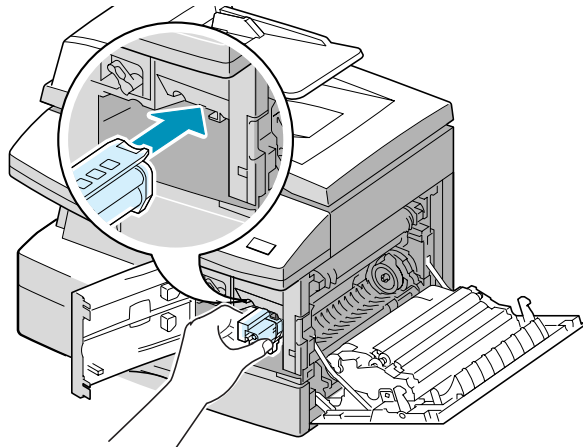
- 2 Open the front cover.



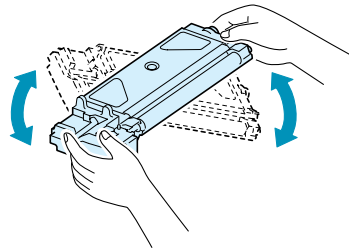
- 3 If the cartridge locking lever is on the lower position, turn the lever upward until it locks into place.



- 4 Remove the drum cartridge from its bag and slide it into the machine firmly until it locks into place completely.

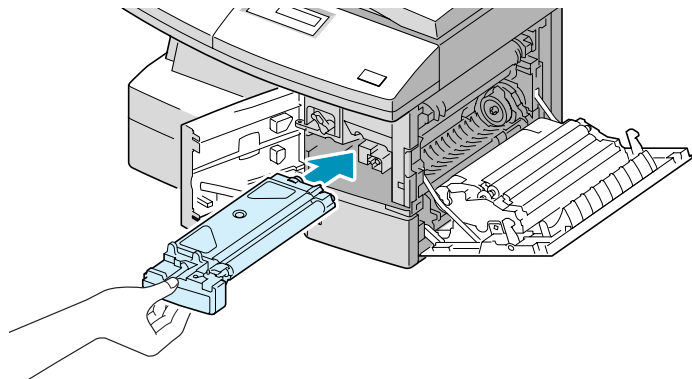


- 5 Remove the starter toner cartridge from its bag. Gently shake the cartridge to loosen the toner.

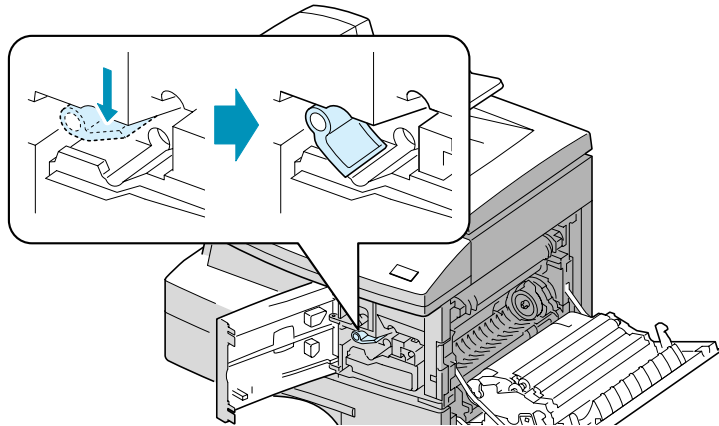


Thoroughly shaking the cartridge will assure maximum copies per cartridge.

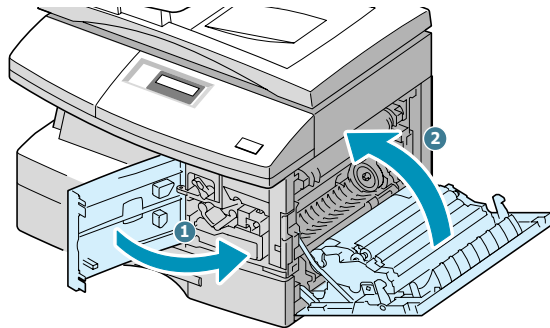
- 6 Slide the toner cartridge into the machine aligning the cartridge to the left of the slot until it locks into place completely.



- 7 Turn the cartridge locking lever downwards until it locks into place.



- 8 Close the front cover ① and then side cover ②.

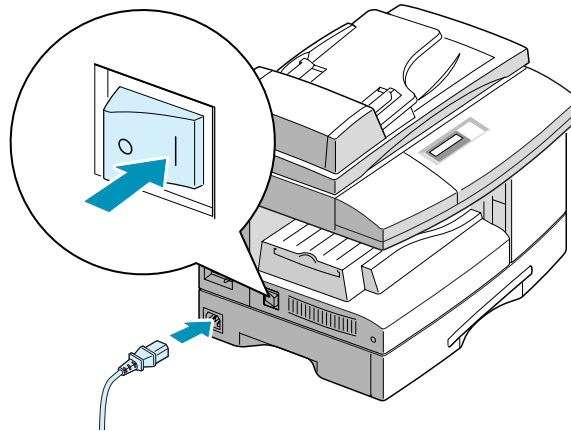


NOTE: When the drum or toner cartridge need to be replaced, the display indicates the corresponding message with the error indicator. Refer to the list of error messages on page 8.11.

To replace the drum and toner cartridges, see page 7.8 and page 7.3 respectively.

Turning the Machine On

- 1 Plug one end of the supplied three-wire electrical grounding type cord into the AC socket on the machine and the other end into a properly grounded AC outlet.



- 2 Turn on the power switch. "WARMING UP PLEASE WAIT" appears on the display indicating that the machine now is on.

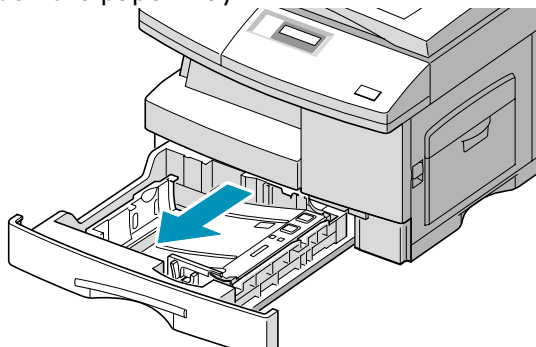
To view your display text in another language, see page 1.20.

Note: Power cord must be plugged into a grounded power socket.

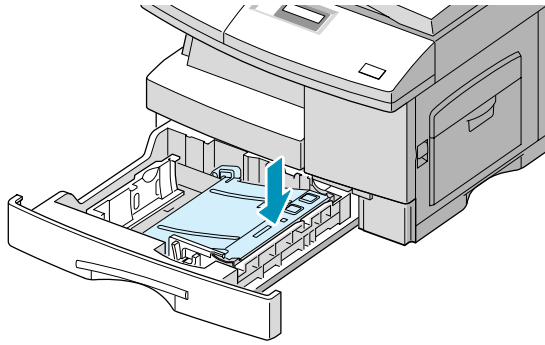
Loading Paper

The paper Tray can hold a maximum of 550 sheets of 20lb plain paper. For copying or faxing, you can use A4-, letter-, or legal-size paper only.

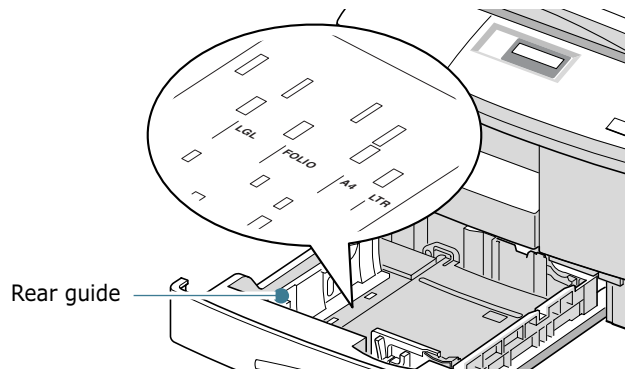
- 1 Pull open the paper Tray.



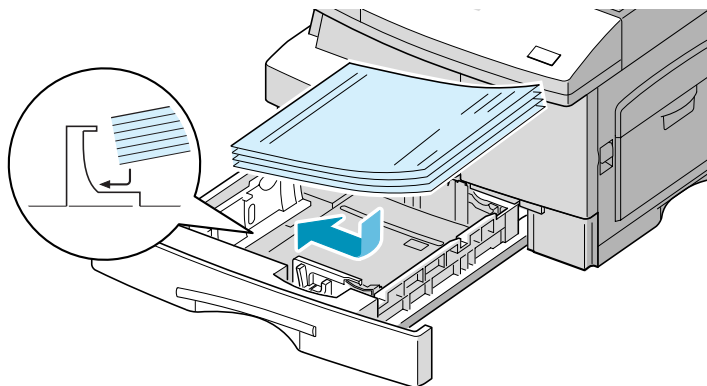
- 2 Push down on the pressure plate until it locks in position.



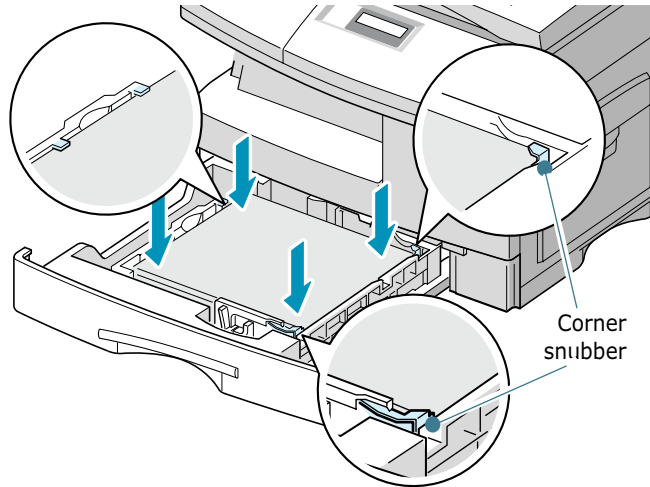
- 3 Adjust the rear paper guide to the desired paper length. It is preset to Letter or A4 size depending on the country. To load another size, lift and insert the rear guide into the corresponding position.



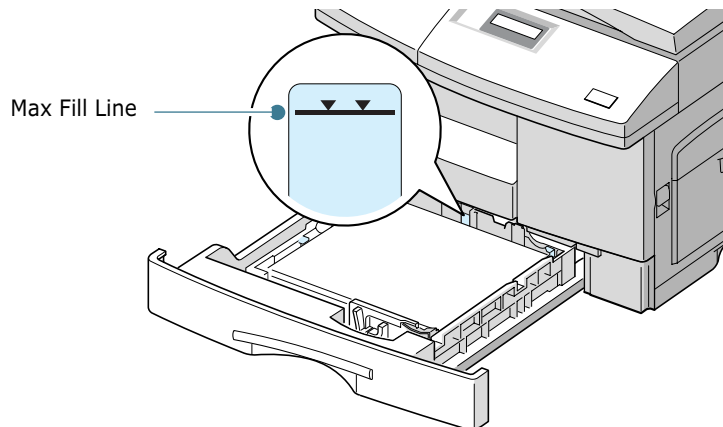
- 4 Fan the paper and insert it into the Tray.



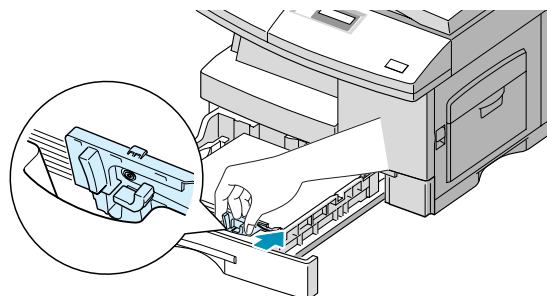
- 5 Ensure that the paper corners are under the corner snubbers.



Do not fill above the max fill line.



- 6 While pinching the side guide as shown, move it toward the stack of paper until it lightly touches the side of the stack. Do not press the guide too tightly to the edge of the paper; the guide may bend the paper.



- 7 Close the paper Tray.

Tray Setting the Paper Size

After loading paper in the paper Tray, you need to set the paper size using the control panel buttons. These settings will apply to the Copy mode only. In the PC printing mode, you have to select the paper size in the application program you use.

- 1 Press **Menu/Exit** and then **System Data** from the one-touch dial keypad. SCX-5115 users should press **Menu** and then **Enter**.

The display shows "CASSETTE PAPER" on the top line and the available options on the bottom line.

- 2 Use < or > to find the paper size you are using, and press **Mode/Enter** (**Enter** for SCX-5115) to save the selection.

You can press the corresponding number shown on the display to select the paper size.

- 3 To return to Standby mode, press **Stop/Clear**.

Changing the Display Language

To change the language that is displayed on the LCD display, take the following steps:

- 1 Press **Menu/Exit** and then **System Setup** from the one-touch dial keypad. SCX-5115 users should press **Menu** and then **Enter**.
- 2 Press ^ or v until "SELECT LANGUAGE" appears on the top line of the display. The current setting appears on the bottom line of the display.
- 3 Press < or > until you see the language you want on the display.
- 4 Press **Mode/Enter** (**Enter** for SCX-5115) to save the selection.
- 5 To return to Standby mode, press **Stop/Clear**.

Using Save Modes

Toner Save

The Toner Save feature allows the printer to use less toner on each page. Activating this mode extends the life of the toner cartridges up to twice as long as in normal mode, but reduces the print quality.

To turn the Toner Save mode on, take the following steps:

- 1 Press **SAVE Toner**. The display shows the current setting on the bottom line.
- 2 Press **SAVE Toner** or use the navigation buttons to change the setting.

To enable the Toner Save mode on, select "ON." The button backlight is on. To disable the mode, select "OFF." The button backlight is off.

- 3 Press **Mode/Enter** (**Enter** for SCX-5115) to save the selection.

Paper Save

This feature prints 2 pages on a single sheet to save paper. To turn this feature on, take the following steps:

- 1 Press **SAVE Paper**. The display shows the current setting on the bottom line.
- 2 Press **SAVE Paper** or use the navigation buttons to change the setting. To enable the Paper Save mode, select "ON." Or select "OFF" to disable the mode.
- 3 Press **Mode/Enter** (**Enter** for SCX-5115) to save the selection.



NOTES:

- The Paper Save mode is available only when the document is loaded in the ADF.
 - The Paper Save mode is disabled when you set the collation or duplex copy options.
-

Power Save

The Power Save mode allows the printer to reduce power consumption when it is not in actual use. To turn the Power Save mode on, take the following steps:

- 1 Press **SAVE Power**. The display shows the current setting on the bottom line.
- 2 Press **SAVE Power** or use the navigation buttons to change the setting. To enable the Power Save mode, select "ON." Or select "OFF" to disable the mode.
- 3 Press **Mode/Enter** (**Enter** for SCX-5115) to save the selection.

You can further select the length of time the machine waits after a job is printed before it switches to a reduced power state.

- 1 Press **Menu/Exit** and then **System Data** from the one-touch dial keypad. SCX-5115 users should press **Menu** and then **Enter**.

- 2 Press \wedge or \vee until "POWER SAVE" appears on the display. Make sure that "ON" blinks on the bottom line.

If necessary, use \lt or \gt to select "ON" and press **Mode/Enter** (**Enter** for SCX-5115).

- 3 The available time settings appear on the display and the current setting blinks. The available options are 5, 10, 15, 30, and 45 (minutes). Press \lt or \gt until the desired time blinks.
- 4 Press **Mode/Enter** (**Enter** for SCX-5115) to save the selection.
- 5 To return to Standby mode, press **Stop/Clear**.



2

INSTALLING SOFTWARE

This chapter provides information about installing the supplied Samsung software. You must install the Samsung software to use your machine as a printer and scanner.

The topics included in this chapter are:

- **About Samsung Software**
- **System Requirements**
- **Installing Samsung Software**
- **Uninstalling Samsung Software**

About Samsung Software

You must install software using the supplied CD-ROM after you have set up your machine and connected it to your computer. The CD-ROM includes:

- Samsung software
- User's Guides
- Adobe Acrobat Reader

The CD-ROM provides you with the following software:

Windows MFP Driver

To use your machine as a printer and scanner in Windows, you must install the MFP driver. For information about installing the MFP driver in Windows, see page 2.4.

Remote Control Panel

This Windows-based program is only available for SCX-5315F. It is automatically installed when you install the MFP driver. For information about using the program, refer to the Facsimile User's Guide.

SmarThru Software

SmarThru is the accompanying software for your multifunctional product. SmarThru contains a powerful image editor that allows you to edit images in many ways and also includes powerful Internet mail client software.

With SmarThru, you can save the scanned images in a dedicated storage area for subsequent editing, sending via e-mail or fax, printing, and processing by other programmes of your choice.

OCR Software (AnyPage Lite)

OCR (Optical Character Recognition) is software that has the ability to recognise most character formats, so that a scanned document can be read and edited with word processing software.

System Requirements

Before you begin, ensure that your system meets the minimum requirements.

Supported Operating System

Windows 95 OSR2/Windows 98/Windows 98 SE/Windows Me/Windows NT 4 Workstation or Server with Service Pack 3/Windows 2000 Professional or Advanced Server/Windows XP Home edition or Professional.

Minimal Requirements

- Disk space: 120 MB for installation
- Memory: 64 MB
- CPU: Pentium II 233 or higher
- Required software: Internet Explorer 4.01.

Recommended

- Disk space: 220 MB for installation
- Memory: 128 MB
- CPU: Pentium II 400 or higher
- Required software: Internet Explorer 5.5



NOTES:

- For Windows NT/2000/XP, the system administrator should install the software.
 - Windows 95 versions prior to OSR2 are not recommended due to incompatibility with OLE/COM libraries.
-

Installing Samsung Software



NOTES:

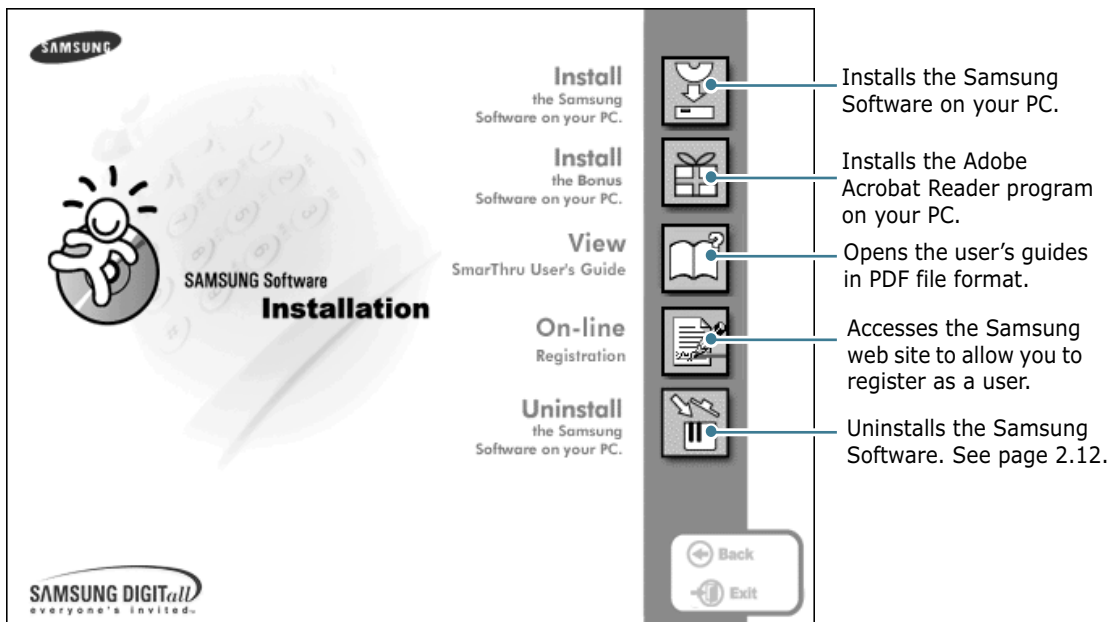
- For Windows 95/98/Me/NT 4.0/2000/XP users, cancel the "New Hardware Found" screen when the computer boots up.
- Make sure that your machine is plugged in and connected to your computer's parallel port or USB port **before installing software** from the CD. Windows 95 and Windows NT 4.0 do not support USB connection.

- 1 Insert the supplied SmarThru CD-ROM into your CD-ROM drive.

The SmarThru CD-ROM should automatically run and the opening window appear.

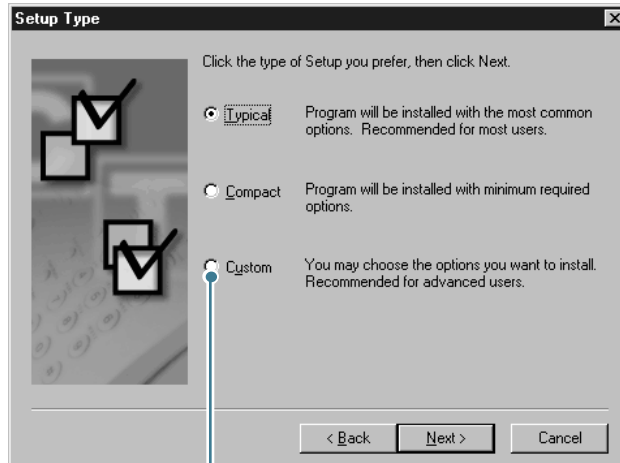
If the installation window does not appear, click **Start**, and then **Run**. Type **X:Autorun.exe**, replacing "X" with the letter of your drive, and click **OK**.

- 2 If you are asked to select the language, choose the desired language.
- 3 Click **Install the Samsung Software on your PC**.

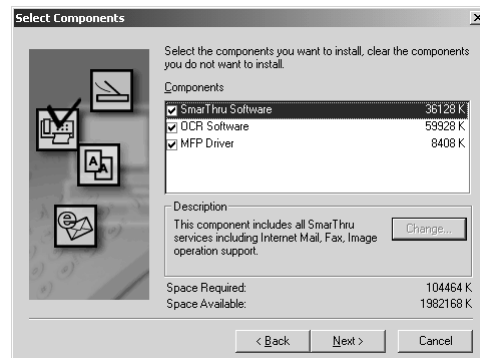


- 4 Follow the on-screen instructions and click **Next**.

- 5 The SmarThru installation supports three types of setup:
- **Typical:** Program will be installed with the most common options and is recommended for most users.
 - **Compact:** Only the MFP driver will be installed.
 - **Custom:** You may choose the options you want to install. Recommended for advanced users.



If you select the Custom installation, you may choose the options you want to install.

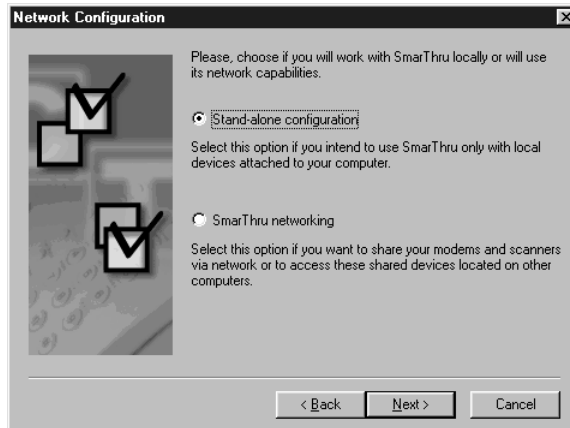


- **SmarThru Software:** to scan and edit images and to work with electronic documents.
- **OCR Software:** AnyPage Lite software to enable OCR.
- **MFP Driver:** to print and scan.

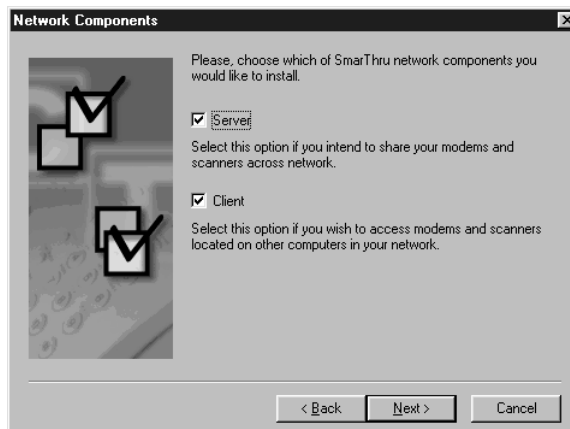
- 6 Selecting the type, Click **Next**.

- 7 Choosing **SmarThru networking** option allows you to share the modems on other computers in your network, and your machine as a scan device or to access similar shared devices.

Stand-alone configuration does not allow you to use any networking features such as Remote Fax or Remote Scan service.

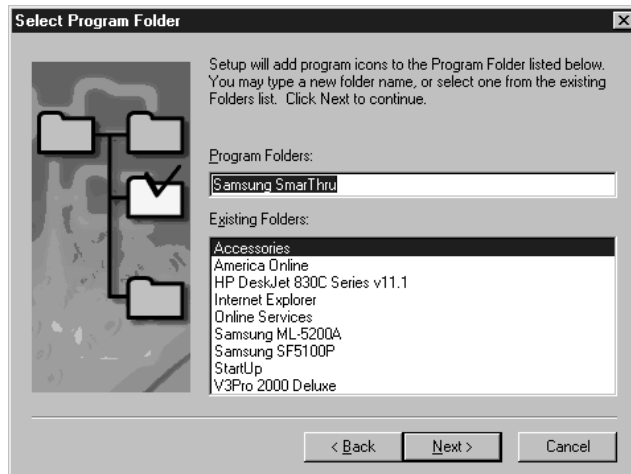


If you selected **SmarThru networking**, you can select to install it as a Server, a Client, or both.



The **Server** option allows you to share a local fax modem and/or a scanner over a LAN. You can control sharing by managing a remote service user. The **Client** option allows you to use Remote Fax or Remote Scan services provided by a SmarThru Server over a LAN. You need to have a client account provided by the server. For details on Remote Fax/Scan Services, please refer to the SmarThru User's Guide.

8 Click **Next**.



9 When the installation is completed, shut down and restart your computer.

If your computer does not shut down and restart automatically, you must shut it down manually and restart it before the changes will be saved.



NOTE: When you install the software, the Digital Signature Not Found window appears in Windows 2000 and Windows XP. Click **OK** in Windows 2000 and click **Continue Anyway** in Windows XP.

Uninstalling Samsung Software

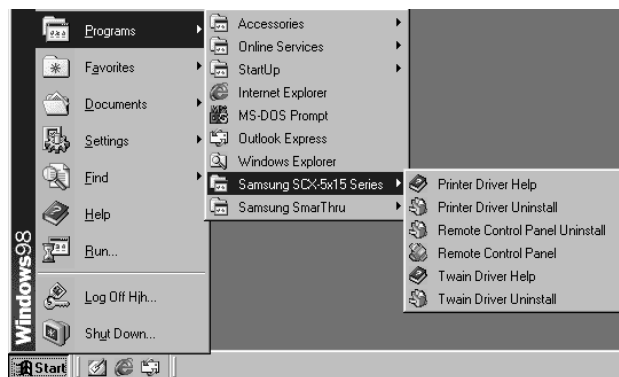
Uninstall is required if you are upgrading the software or if your installation fails. You can uninstall all software including SmarThru and MFP drivers, using the SmarThru CD or uninstall the desired item using the Window unInstallShield.



Note: Before beginning uninstallation, ensure that all applications are closed on your PC. A system reboot is required after the software is uninstalled.

Uninstalling the MFP Driver

- 1 From the **Start** menu, select **Programs**, then select **Samsung SCX-5x15 Series**.



- 2 You can select a component in the MFP driver to uninstall individually.

If you want to uninstall the scan driver, select **Twain Driver Uninstall**.

If you want to uninstall the printer driver, select **Printer Driver Uninstall**.

If you want to uninstall the Remote Control Panel, select **Remote Control Panel Uninstall**.

- 3 When your computer confirms your selection, click **Yes**. The selected printer driver and all its components are removed from your computer.



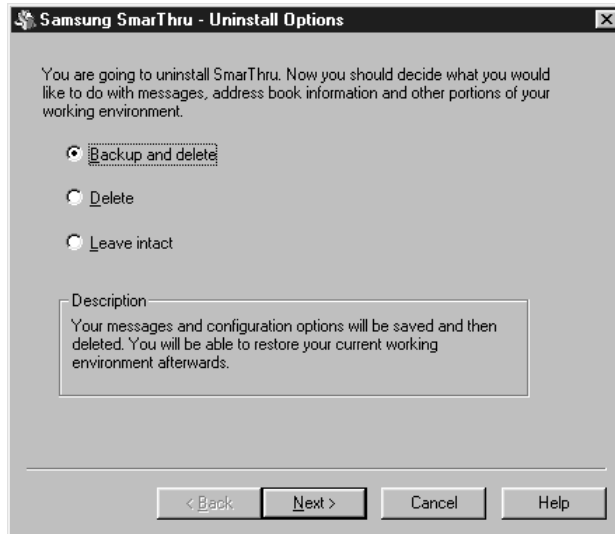
- 4 When the uninstallation is done, click **OK**.
- 5 The message box recommends you restart your computer. Click **OK**, then restart Windows.



NOTE: If you want to install the printer driver or the scan driver using the SmarThru CD-ROM, make sure that you select the Setup Type to **Compact**. Or select **Custom** then select **MFP Driver**. For details, see page 2.5.

Uninstalling Samsung SmarThru

- 1 From the **Start** menu, select **Programs**.
- 2 Select **Samsung SmarThru**, then select **SmarThru 3 Uninstall**.
- 3 When your computer asks you to confirm your selection, click **Yes**. The Uninstall Options dialogue box appears.



Uninstall options are:

- **Backup and delete:** Backs up all your data and options to a safe place. It then removes the SmarThru system, including the data.
- **Delete:** Deletes all the SmarThru data and options. No backup or copying takes place. Be careful while using this option as you can easily lose your data.
- **Leave intact:** Uninstalls SmarThru software leaving data and option intact. This can be useful, if, for example, you decide to install the Stand Alone configuration over the SmarThru Networking. In this case, uninstall Samsung SmarThru having the **Leave intact** option set and install the SmarThru Stand Alone configuration.

- 4 After selecting the uninstall option, click **Next**.

- 5 Follow the on-screen instructions to complete the un-installation. The SmarThru software and all components will be removed.



- 6 When the uninstallation is done, click **OK**. The message box recommends restarting your computer.

- 7 Click **OK**.

Shut down and restart your computer to complete the un-installation process and save your changes.

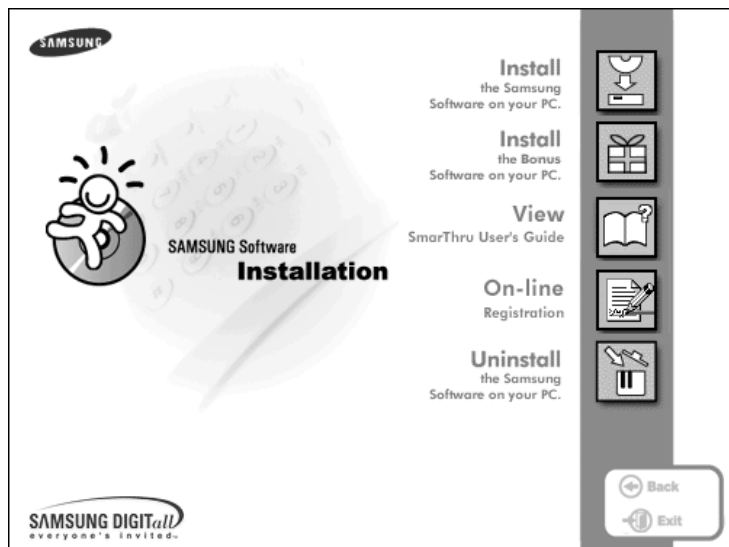
Using the SmarThru CD-ROM

You can uninstall both the MFP driver and the SmarThru software with the CD-ROM you have used to install the software.

- 1 Insert the SmarThru CD-ROM into your CD-ROM drive.

The SmarThru CD-ROM should automatically run and the installation window appear. If the installation window does not appear, select **Run** from the Start menu, then type **X:Autorun.exe**, replacing "X" with the letter of your drive and click **OK**.

- 2 If you are asked to select the language, choose the desired language.
- 3 Click **Uninstall the Samsung Software on your PC**.



- 4 Follow the on-screen instructions to complete the un-installation.

You must shut down and restart your computer before any changes you have made will take effect.



3

PAPER HANDLING

This chapter introduces you to the basics of selecting print media and loading print media into your machine.

This chapter includes:

- **Selecting Print Media**
- **Paper Guidelines**
- **TrayLoading Paper in the Tray**
- **Using the Multi-Purpose Tray**
- **Setting the Paper Size for Copying**

Selecting Print Media

Always use print media that meets the guidelines for use with this machine. Using a print media that is not recommended may cause paper jams or print quality problems.

Media Size Input Sources and Capacities

Media Size	Input Source/Capacity ^a	
	Paper Tray	Multi-Purpose Tray
Plain paper		
Letter (8.5 x 11 in.)	YES/550	YES/100
Folio (8.5 x 13 in.)	YES/550	YES/100
Legal (8.5 x 14 in.)	YES/550	YES/100
Executive (7.25 x 10.5 in.)	NO/0	YES/100
A4 (210 x 297 mm)	YES/550	YES/100
B5 (182 x 257 mm)	NO/0	YES/100
A5 (148 x 210 mm)	NO/0	YES/100
Envelopes		
No. 10 (4.12 x 9.5 in.)	NO/0	YES/10
C5 (162 x 229 mm)	NO/0	YES/10
DL (110 x 220 mm)	NO/0	YES/10
Monarch (3.87 x 7.5 in.)	NO/0	YES/10
B5 (176 x 250 mm)	NO/0	YES/10
Labels^b		
Letter (8.5 x 11 in.)	NO/0	YES/30
A4 (210 x 297 mm)	NO/0	YES/30
Transparency films^b		
Letter (8.5 x 11 in.)	NO/0	YES/30
A4 (210 x 297 mm)	NO/0	YES/30
Card stocks^b		
A6 (105 x 148 mm)	NO/0	YES/10
Post Card (4 x 6 in.)	NO/0	YES/10
Hagaki (100 x 148 mm)	NO/0	YES/10

- Maximum capacity may be reduced depending on paper thickness.
- If you are experiencing excessive jamming, feed one sheet at a time through the Multi-Purpose Tray.

Paper Guidelines

When selecting or loading paper, envelopes, or other special media, keep these guidelines in mind:

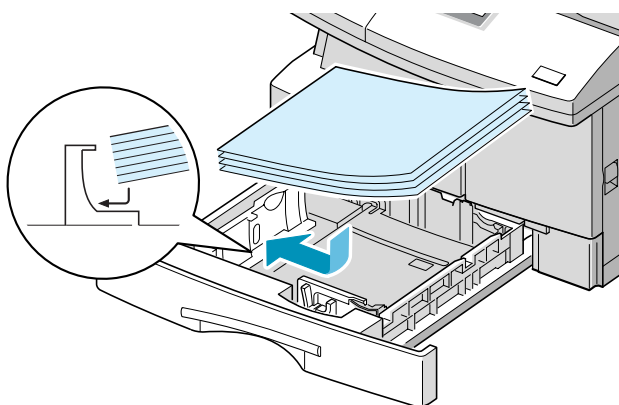
- Attempting to print on damp, curled, wrinkled, or torn paper can cause paper jams and poor print quality.
- Use only high quality copier grade paper. Avoid paper with embossed lettering, perforations, or texture that is too smooth or too rough.
- Store paper in its ream wrapper until ready to use. Place cartons on pallets or shelves, not on the floor. Do not place heavy objects on top of the paper, whether it is packaged or unpackaged. Keep it away from moisture, or other conditions that can cause it to wrinkle or curl.
- During storage, moisture-proof wrap (any plastic container or bag) should be used to prevent dust and moisture from contaminating your paper.
- Always use paper and other media that conform with the specifications listed under "General Specifications" on page B.2.
- Use only well-constructed envelopes with sharp, well creased folds.
 - DO NOT use envelopes with clasps and snaps.
 - DO NOT use envelopes with windows, coated lining, self-adhesive seals, or other synthetic materials.
 - DO NOT use damaged or poorly made envelopes.
- It is recommended that you feed special paper types one sheet at a time.
- Only use the special media recommended for use in laser printers.
- To prevent special media such as transparencies and label sheets from sticking together, remove them from the exit tray as they are printed.
- Place transparencies on a flat surface after removing them from the machine.
- Do not leave the film in the paper tray for long periods of time. Dust and dirt may accumulate on them resulting in spotty printing.
- To avoid smudging caused by fingerprints, handle transparencies and coated paper carefully.
- To avoid fading, do not expose the printed transparencies to prolonged sunlight.

- Store unused media at temperatures between 59°F and 86°F (15°C to 30°C). The relative humidity should be between 10% and 70%.
- Do not load more than 10 sheets of special media into the Multi-Purpose Tray at a time.
- Verify that your labels' adhesive material can tolerate fusing temperature of 200°C (392°F) for 0.1 second.
- Make sure that there is no exposed adhesive material between labels. Exposed areas can cause labels to peel off during printing, which can cause paper jams. Exposed adhesive can also cause damage to machine components.
- Do not feed a sheet of labels through the machine more than once. The adhesive backing is designed for one pass through the machine.
- Do not use labels that are separating from the backing sheet or are wrinkled, bubbled, or otherwise damaged.

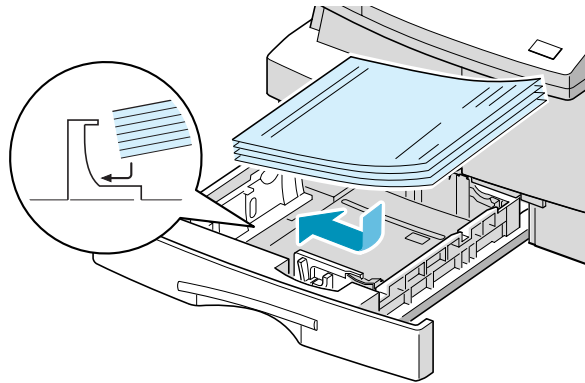
TrayLoading Paper in the Tray

The paper Tray can hold a maximum of 550 sheets of 20lb(75g) plain paper. For copying or faxing, you can use A4-, letter-, or legal-size paper only.

To load paper, pull open the paper Tray and place paper with the side you want to print facing up.



You can load letterhead paper with the design side facing up. The top edge of the sheet with the logo should be placed at the right side.



3

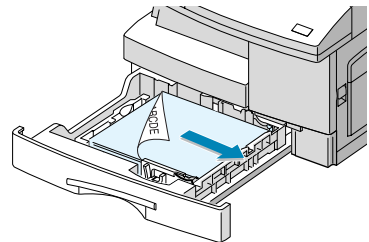
For details on loading paper in the Tray, see page 1.17.

After loading paper in the Tray, you need to set the correct paper size using the control panel buttons. See page 1.20.



NOTES:

- When you print a file from your PC using the paper Tray, make sure that you select the Paper source and the correct paper size from your software application before starting your print job.
- If you experience problem with the paper feed, place the paper in the Multi-Purpose Tray.
- You can load up to 300 sheets of previously printed paper. The printed side should be facing down with the uncurled edge at the right side. If you experience problems with the paper feed, turn the paper around. Note that the print quality is not guaranteed.



Using the Multi-Purpose Tray

Multi-Purpose Tray is located at the right side of your machine. It can be closed when you are not using it, making the machine more compact.

Use the Multi-Purpose Tray to print transparencies, labels, envelopes or postcards in addition to making quick runs of paper types or sizes that are not currently loaded in the paper Tray.

Acceptable print media are plain paper with sizes ranging from 98 x 148 mm (3.9 x 5.8 in.) to Legal 216 x 356 mm (8.5 x 14 in.), the largest size acceptable, and weighing between 16lb and 32lb.

The following table summarizes the print media allowed as well as their stacking height limit.

Paper Type	Stacking Height Limit
Plain Paper	100 sheets or 9mm (max) ^a
Envelope	10 envelopes or 9mm (max) ^a
Transparency	30 sheets or 9mm (max) ^a
Label	30 sheets or 9mm (max) ^a
Cardstock	10 sheets or 9mm (max) ^a

a. The height is measured with the stack of sheets untouched laid on a flat surface.

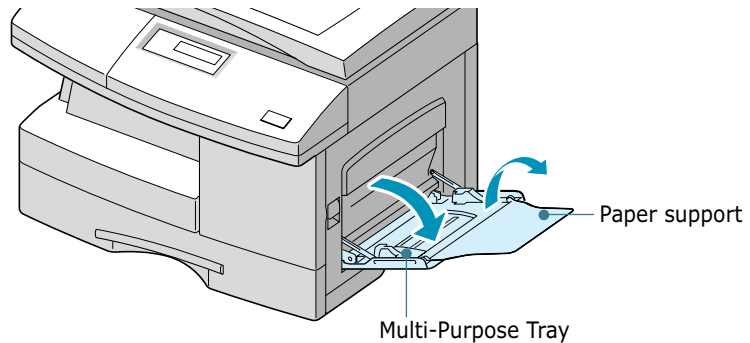


Notes:

- Always load only use print media specified in Specifications to avoid paper jams and print quality problems.
 - Do not hit the Multi-Purpose Tray or rest your hands on it; otherwise the tray may be damaged or detached from the machine.
 - Flatten any curling on postcards, envelopes, and labels before loading them into the Multi-Purpose Tray.
-

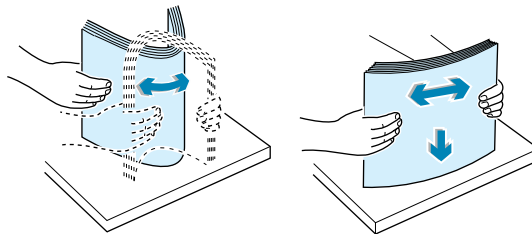
To load print media in the Multi-Purpose Tray:

- 1 Lower the Multi-Purpose Tray, located on the right side of the machine. Unfold the paper support extension as shown.



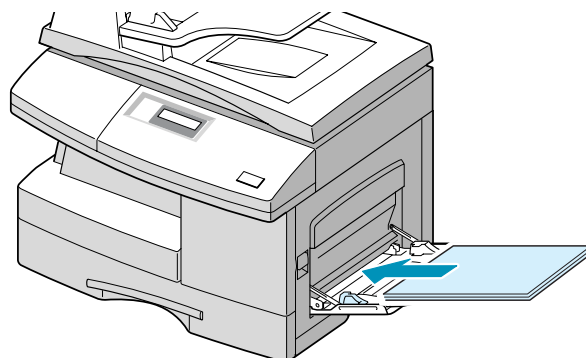
3

- 2 Prepare a stack of paper or envelopes for loading by flexing or fanning them back and forth. Straighten the edges on a level surface.

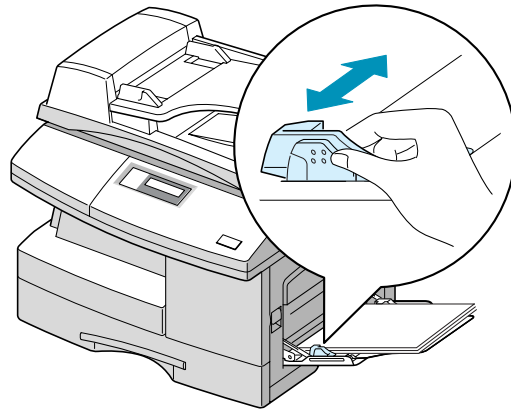


For transparencies, hold the transparencies by the edges and avoid touching the print side. Oils from your fingers that are deposited on the transparency can cause print quality problems. If you are using the transparencies with paper backing, insert a sheet of plain paper on the tray before loading transparencies. Doing so prevents paper jams while feeding.

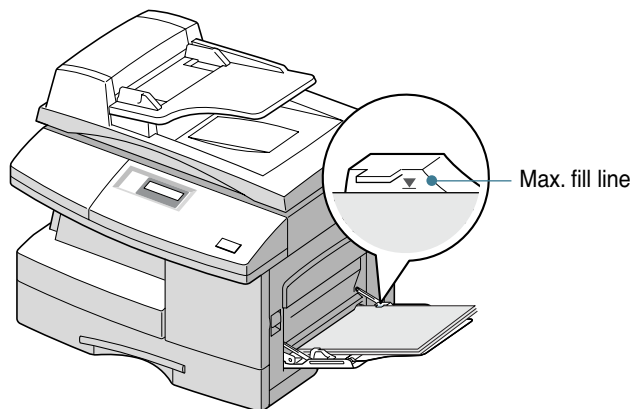
- 3 Load the print material with the side you want to print facing down and against the right edge of the tray.



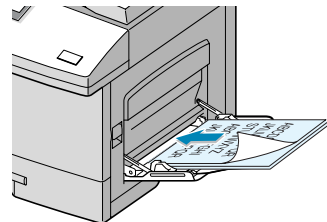
- 4 Adjust the paper guide to the width of the stack of print material.



Make sure that you have not loaded too much print media. The stack should be under the Max. fill line. The print media buckles if you load a stack that is too deep or if you push it in too far.



NOTES: When printing on previously used paper via the Multi-Purpose Tray, the printed side should be facing up with the uncurled edge at the left side. If you experience problems with paper feed, turn the paper around.



Setting the Paper Size for Copying

After loading paper in the paper Tray or the Multi-Purpose Tray, you need to set the correct paper size using the control panel buttons. These settings will apply to the Copy mode, and the Fax mode (SCX-5315F only). In PC printing mode, you have to select the paper size in the application program you use.

To set the paper size for Tray, take the following steps:

- 1 Press **Menu/Exit** and then **System Data** from the one-touch dial keypad. SCX-5115 users should press **Menu** and then **Enter**.

The display shows "CASSETTE PAPER" on the top line and the available options on the bottom line. The current setting blinks.

- 2 Use < or > to select the paper size you are using, and press **Mode/Enter** (**Enter** for SCX-5115) to save the selection.

You can press the corresponding number shown on the display to select the paper size.

- 3 To return to Standby mode, press **Stop/Clear**.

To set the paper size for the Multi-Purpose Tray, take the following steps:

- 1 Press **Menu/Exit** and then **System Data** from the one-touch dial keypad. SCX-5115 users should press **Menu** and then **Enter**.

The display shows "CASSETTE PAPER" on the top line and the available options on the bottom line.

- 2 Use v to display "BYPASS TRAY" on the top line. The available options appear on the bottom line and the current setting blinks.

- 3 Use < or > to select the paper size you are using, and press **Mode/Enter** (**Enter** for SCX-5115) to save it.

You can press the corresponding number shown on the display to select the paper size.

- 4 To return to Standby mode, press **Stop/Clear**.

NOTE



3.10 PAPER HANDLING

4

COPYING

This chapter provides step-by-step instructions for copying documents.

This chapter includes:

- **Loading Paper for Copy Output**
- **Selecting a Paper Tray**
- **Making Copies from the Automatic Document Feeder**
- **Making Copies using the Document Glass**
- **Setting Copy Options**
- **Auto Fit Copying**
- **Clone Copying**
- **Duplex Copying**
- **Collation Copying**

Loading Paper for Copy Output

You can copy to a size of media as small as an index card 98 x 148 mm (3.9 x 5.8 in.) or as large as a sheet of legal-sized 216 x 356 mm (8.5 x 14 in.) paper.

The instructions for loading the print media are the same whether you are printing, faxing, or copying. For details, see page 1.17 and page 3.6.

Selecting a Paper Tray

After loading the print media for use when copying, you have to select the paper tray you will use for both copy and fax jobs (SCX-5315F only).

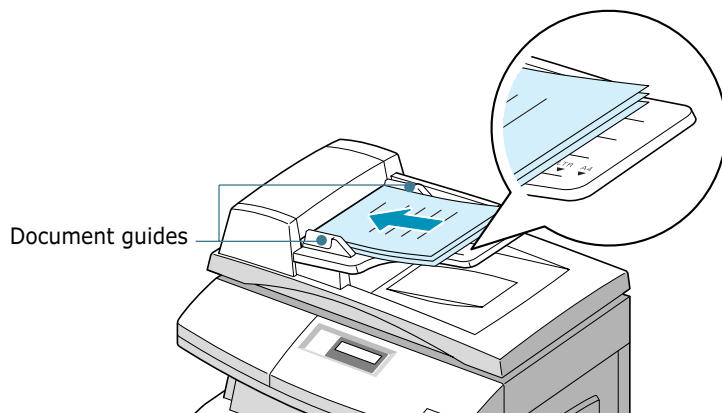
- 1** Press **Paper Tray**. The current setting appears on the bottom line of the display.
- 2** Select "CASSETTE" or "BYPASS" by pressing **Paper Tray** repeatedly or using the navigation buttons, and press **Mode/Enter (Enter on SCX-5115)** to save the selection.
- 3** If you selected "BYPASS" at the step 2, the display prompts you to select the PAPER TYPE for the Multi-Purpose Tray.

Use the navigation buttons to select the paper type you are using in the Multi-Purpose Tray.
- 4** Press **Mode/Enter (Enter on SCX-5115)** to save the selection.

Making Copies from the Automatic Document Feeder

Using the ADF (Automatic Document Feeder), you can load up to 30 documents (20lb, 75 g/m²) in one job. Ensure that documents are in good condition, that they have the same thickness and weight, and that all of the staples and paper clips have been removed.

- 1 Feed the documents (up to 30 pages) **face up** into the ADF and adjust the document guides to the document size. Make sure that the bottom of the document stack matches the paper size marked on the ADF.



4

- 2 SCX-5315F users should verify that the machine is in the Copy mode. If necessary, press **Mode/Enter** to change the mode to Copy mode. In Copy mode, the LCD display shows:



Note that you cannot make copies in Fax mode. The machine will sound an error beep.

- 3 Make sure that you have selected the required paper tray. See page 4.2.
- 4 Customise the copy settings including the number of copies, copy size, contrast and image type using the control panel buttons. See "Setting Copy Options" on page 4.6.

To clear the settings, use the **Stop/Clear** button.

- 5 If necessary, you can use special copy features, such as collation and duplex copying.

- 6 Press **Copy/Start** to begin copying. The display shows the copy processing.

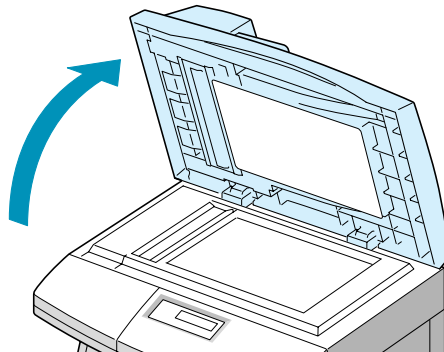


NOTE: Dust on the ADF glass may cause black lines on the printout, so always keep it clean.

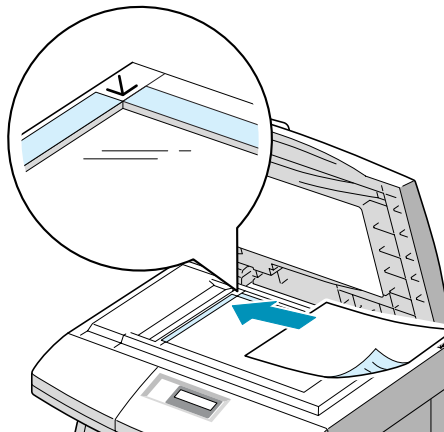
Making Copies using the Document Glass

If you want to make copies from booklet, pamphlet, transparencies, or documents having other unusual characteristics, use the document glass to load documents.

- 1 Lift the document cover.



- 2 Place the document **face down** on the glass and align it with document guides on the left top corner of the document glass.





NOTE: Make sure that no other documents are in the ADF. If a document is detected in the ADF, this document has the priority rather than the document on the scan glass.

3 Close the scanner cover.



NOTES:

- Leaving the cover open while copying will affect the copy quality and toner consumption.
- If you are copying a page from a book or magazine, close the cover flat. The slanted cover may cause heavy exposure of the light when scanning.

4 SCX-5315F users should verify that the machine is in the Copy mode. If necessary, press **Mode/Enter** to change the mode to Copy mode. In Copy mode, the LCD display shows:



Note that you cannot make copies in Fax mode. The machine will sound an error beep.

5 Make sure that you have selected the required paper tray. See page 4.2.

6 Customise the copy settings including the number of copies, copy size, contrast and image type using the control panel buttons. See "Setting Copy Options" on page 4.6.

To clear the settings, use the **Stop/Clear** button.

7 If necessary, you can use special copy features, such as Auto Fit and Clone.

8 Press **Copy/Start** to begin copying. The display shows the copy processing.



NOTES:

- You can cancel a copy job while it is copying by Press the **Stop/Clear** button.
- Dust on the document scanner glass may cause black spots on the printout, so always keep it clean.

Setting Copy Options

The following buttons on the control panel let you set all the basic copy options; contrast, image type, number of copies and copy size. When making a copy, use these buttons before pressing **Copy/Start**.

Image

The Image setting is used to improve the copy quality. To select the image type, take the following steps:

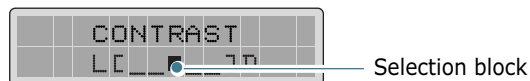
- 1** Press **Image**. You can see the current setting on the bottom line of the display.
- 2** Press **Image** or the navigation buttons until the desired mode appears. You can choose from:
 - TEXT:** Used for documents containing mostly text.
 - MIXED:** Used for documents with mixed text and graphics.
 - PHOTO:** Used when the originals are photographs.
- 3** Press **Mode/Enter** (**Enter** on SCX-5115) to save the selection.

Contrast

If you have an original document containing faint markings or dark images, you can adjust the brightness to make a copy that is easier to read. To adjust the contrast, take the following steps:

- 1 Press **Contrast**.
- 2 Press **Contrast** or the navigation buttons to select an option and press **Mode/Enter** (**Enter** on SCX-5115).
MANUAL: You can adjust the contrast manually. Continue to the next step.
AUTO SUPPRESS: Use this setting for copying an original from a newspaper or magazine to remove its background image. This setting is available only in the Copy mode.
- 3 When you select **Manual**, choose from 5 contrast settings using the navigation buttons.

Each time you press the button, the selection block on the LCD display moves to the left or to the right. As the selection block moves to the right, the contrast becomes darker.



- 4 Press **Mode/Enter** (**Enter** on SCX-5115) to save the selection.

Set

Using the **Set** (>) button, you can select the number of copies, from 1 to 999.

- 1 Press **Set** (>). The triangle symbol on the middle of the top line heads for the number of copies.
- 2 Enter the number of copies using the number keypad. The selected number appears on the display.

You can also use **Increase** (^) or **Decrease** (v) to change the number of copies. Press **Increase** (^) or **Decrease** (v) to increase or decrease the number by 1. If you press and hold the buttons, the number increases or decreases rapidly.

- 3 Press **Mode/Enter** (**Enter** on SCX-5115) to save the selection.

Zoom

Using the **Zoom** (<) button, you can reduce or enlarge the size of a copied image by 25% to 400% when you copy the original from the document scanner glass, and by 25% to 100% using the ADF. Note that the zoom rate available is different according to the document loading method.

- 1 Press **Zoom** (<). The triangle symbol on the middle of the top line points to the zoom rate.
- 2 Enter the size using the number keypad. The selected number appears on the display.

You can also use **Increase** (^) or **Decrease** (v) to change the zoom rate. Press **Increase** (^) or **Decrease** (v) to increase or decrease the number by 1. If you press and hold the buttons, the number increases or decreases rapidly.

- 3 Press **Mode/Enter** (**Enter** on SCX-5115) to save the selection.



NOTES:

- If you press the **Stop/Clear** button while setting the copy options and before starting to copy, all the copy options you have set for the current copy job will be cancelled and return to their default values.
 - When reducing, black lines may appear at the bottom of the copy.
-

Auto Fit Copying

This feature automatically reduces or enlarges the original image to fit on the paper currently loaded in the machine, so you don't need to adjust the copy size.

This special copy mode is only available when using document scanner glass. If a document is detected in the ADF, the auto-fit will not work.

- 1 Load the document to be copied on the document glass, and close the cover.
- 2 Make sure that you have selected the required paper tray. See page 4.2.
- 3 To enter the special copy mode, SCX-5315F users should press **Special Copy** in the Copy mode (see page 4.5) and SCX-5115 users should press **Autofit/Clone**.
- 4 Press **Special Copy (Autofit/Clone** on SCX-5115) repeatedly or use the navigation buttons until "AUTO FIT" appears on the bottom line of the display.
- 5 Press **Mode/Enter (Enter** for SCX-5115) to save the selection.
- 6 If necessary, customise the copy settings including the number of copies, contrast and image type using the control panel buttons. See "Setting Copy Options" on page 4.6.



NOTE: You cannot adjust the copy size using the **Zoom** button while Auto fit is enabled.

- 7 Press **Copy/Start** to begin copying.
- 8 When copying is completed, press **Stop/Clear** to cancel the Auto Fit mode.

Clone Copying

The Clone feature prints multiple image copies on a single page. The number of images is automatically determined by the original image size, so you are unable to adjust the copy size.

This special copy mode is available only when using the document scanner glass. If a document is detected on the ADF, the Clone option will not work.

- 1 Load the document to be copied on the document glass, and close the cover.
- 2 Make sure that you have selected the required paper tray. See page 4.2.
- 3 To enter the special copy mode, SCX-5315F users should press **Special Copy** in the Copy mode (see page 4.5) and SCX-5115 users should press **Autofit/Clone**.
- 4 Press **Special Copy (Autofit/Clone** on SCX-5115) repeatedly or use the navigation buttons until "CLONE" appears on the bottom line of the display.
- 5 Press **Mode/Enter (Enter** on SCX-5115) to save the selection.
- 6 If necessary, customise the copy settings including the number of copies, contrast and image type using the control panel buttons. See "Setting Copy Options" on page 4.6.



NOTE: You cannot adjust the copy size using the **Zoom** button while making a clone.

- 7 Press **Copy/Start** to begin copying.
- 8 When the copying is completed, press **Stop/Clear** to cancel the Clone mode.

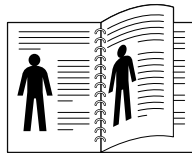
Duplex Copying

Duplex copying allows you to print on both sides of the paper.

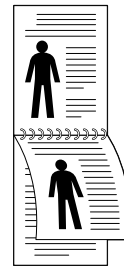
Before printing in the duplex mode, decide on which edge you will bind your finished document. The binding options are:

LONG EDGE, which is the conventional layout used in book binding.

SHORT EDGE, which is the type often used with calendars.



▲ Long Edge



Short Edge ►

- 1 Load the documents to be copied in the ADF. Make sure that the original document is single sided.

Or, place a sheet of the documents on the document glass face down.
- 2 Make sure that you have selected the required paper tray. See page 4.2.
- 3 Press **Duplex Copy**. The current setting appears on the bottom line of the display.
- 4 Press **Duplex Copy** or use the navigation buttons to select the binding orientation. If you select "OFF", you cannot use duplex copying.
- 5 Press **Mode/Enter** (**Enter** on SCX-5115) to save the selection.
- 6 If necessary, customise the copy settings including the number of copies, copy size, contrast and image type using the control panel buttons. See "Setting Copy Options" on page 4.6.



NOTE: In duplex copy mode, the PHOTO setting using the **Image** button is disabled.

- 7 Press **Copy/Start** to begin copying.

- 8 When the document is fed from the document glass, the display shows "SCAN SIDE 2?" on the top line after the page is scanned into the memory. To scan another page, remove the scanned page and load the next page on the glass. Select "YES" and press **Mode/Enter**.

After scanning, the machine starts printing automatically. Then the display shows "SCAN ANOTHER?". To scan another page, select "YES" and press **Mode/Enter**.

When the display shows "SCAN SIDE2?" again, repeat as necessary.

When all of the pages are scanned, select "NO" when the display shows "SCAN SIDE 2?" or "SCAN ANOTHER ?" and press **Mode/Enter**.

- 9 When the copying is completed, press **Stop/Clear** to cancel the duplex copy mode.

Collation Copying

When the Collation Copying feature is on, your machine sorts the copy job. For example, if you make 2 copies of 3 pages documents, one complete 3 page document will print followed by the second complete 3 page document.

- 1 Load the documents to be copied in the ADF.

Or, place a sheet of the documents on the document glass face down.

- 2 Make sure that you have selected the required paper tray. See page 4.2.

- 3 To enter collation copy mode, SCX-5315F users should press **Special Copy** in the Copy mode (see page 4.3). Press **Special Copy** or use the navigation buttons until "COLLATION" appears on the bottom line of the display.

SCX-5115 users should press **Collation Copy**, and press **Collation Copy** or the navigation buttons to select "ON" to turn this feature on.

- 4 Press **Mode/Enter** (**Enter** on SCX-5115) to save the selection.
- 5 If necessary, customise the copy settings including the number of copies, copy size, contrast and image type using the control panel buttons. See "Setting Copy Options" on page 4.6.
- 6 Press **Copy/Start** to begin copying.



NOTE: In duplex copy mode, the PHOTO setting using the **Image** button is disabled.

- 7 When the document is fed from the document glass, the display shows "SCAN ANOTHER?" on the top line after the page is scanned into the memory. To scan another page, remove the scanned page and load the next page on the glass. Select "YES" and press **Mode/Enter**. Repeat as necessary.

When all of the pages are scanned, select "NO" when the display shows "SCAN ANOTHER?" and press **Mode/Enter**.

- 8 When copying is completed, press **Stop/Clear** to cancel the collation copy mode.

MEMO



4.14 COPYING

5

PRINTING

Read this chapter to learn how to select and load print media and how to use the print settings.

This topics included in this chapter are:

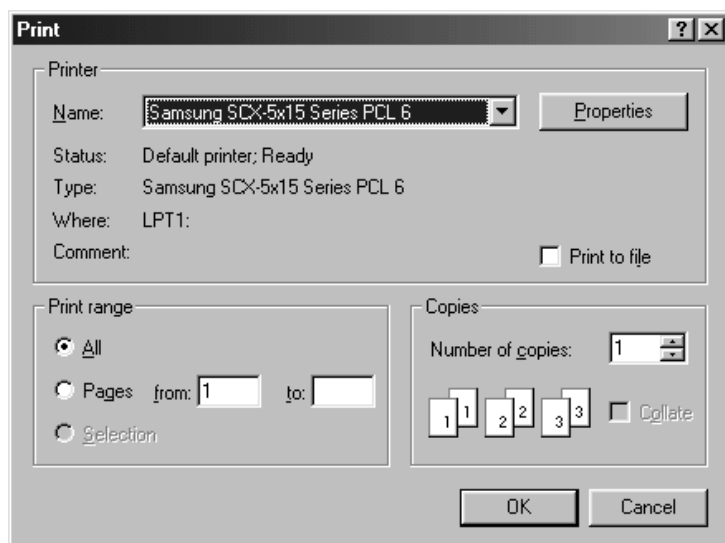
- **Printing a Document**
- **Printer Settings**
- **Setting Up the Locally Shared Printer**

Printing a Document

This procedure describes the general steps required for printing from various Windows applications. The exact steps for printing a document may vary depending on the application program you are using. Refer to the user's guide of your software application for the exact printing procedure.

The following steps describe the typical process to print from Windows:

- 1 Ensure that your machine is properly connected to the computer, the machine is powered on, and there is paper in the paper tray.
- 2 Verify that you have installed the Samsung software for your computer. For details, see "Installing Samsung Software" on page 2.4.
- 3 Start the program you are using to create the document, and create or open the document you want to print.
- 4 Choose **Print** or **Print Setup** from the **File** menu. Make sure that **Samsung SCX-5x15 Series PCL 6** is selected as your default printer. Click **Properties** or **Setup** if you want to make any adjustments that are appropriate for printing your document. For details, see "Printer Settings" on page 5.3.



- 5 Click **OK** to close the Properties dialogue box.
- 6 After making any necessary changes to the printing parameters, click **OK** to start the print job.

Printer Settings

You can use the machine with all your Windows 95/98/Me/2000/XP or Windows NT 4.0 applications. Be sure to set Samsung SCX-5x15 Series PCL 6 as the default printer for all of your Windows operations.

Most Windows software applications allow you to make changes to the printer settings. This includes settings that determine how a print job looks such as paper size, paper orientation, and margins. Settings made in the application to create the document will usually override settings made in the printer driver.



NOTE: You do not need to use any of the control panel buttons to use the machine as a PC printer. For example, if you want to adjust the printing contrast you do not have to press **Contrast** on the control panel. The control panel buttons are used primarily for copying.

Accessing Printer Settings

You can access printer settings by using either of these methods.

Windows 95/98/Me

- Select the **File > Print > Properties** or **File > Print Setup** command from within any Windows application.

Or

- Select **Samsung SCX-5x15 Series PCL 6** printer from the **Printers** folder, then select **File > Properties** (or select the printer icon in the **Printers** folder, and click the right mouse button).

Windows NT 4.0

- Select the **File > Print > Properties** or **File > Print Setup** command from within any Windows application.
Or
- Select **Samsung SCX-5x15 Series PCL 6** printer from the **Printers** folder, click the right mouse button, then select **Document Defaults** from the drop-down list.

Windows 2000

- Select the **File > Print** command from within any Windows application.
Or
- Select **Samsung SCX-5x15 Series PCL 6** printer from the **Printers** folder, click the right mouse button, then select **Properties** and **Printing Preferences** from the drop-down list.

Windows XP

- Select the **File > Print > Preferences** command from within any Windows application.
- Select **Samsung SCX-5x15 Series PCL 6** printer from the **Printers and Faxes** folder, click the right mouse button, then select **Printing Preferences** from the drop-down list.

Printer Properties Tabs

When Printer Properties are displayed, you can review and change whatever settings are needed for your printer job.

Your printer's Properties window consists of 5 tabs: **Paper**, **Graphic**, **Output**, **Watermark** and **About**.

If you access the Printer Properties through the **Printers** folder, you can view more Windows-based tabs, in addition to these 5 tabs. For information on the Windows-based tabs, refer to your Windows User's Guide.

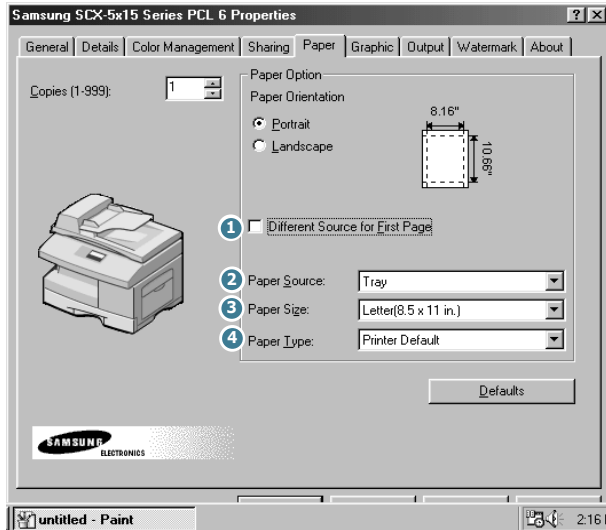
The printer's Properties window may differ depending on the operating system used. This User Guide shows the Properties window on Windows unless otherwise specified.



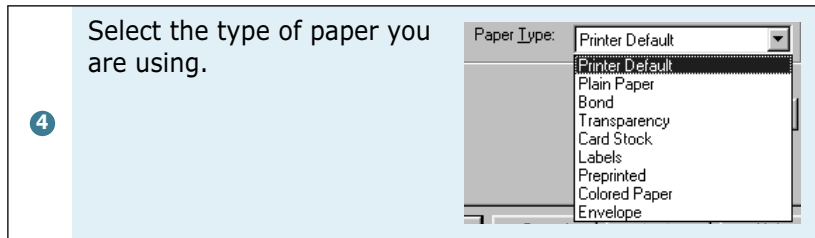
NOTE: If you access Printer Properties through the **Printers** folder, any settings made will become the default settings for the printer. Settings made when Printer Properties are accessed through an application **File** menu and **Print** or **Print Setup** will remain active until the application you are printing from is closed.

Paper Tab

Use the **Paper** tab to select the size of paper you have in your printer, the orientation, the number of copies to print, etc.

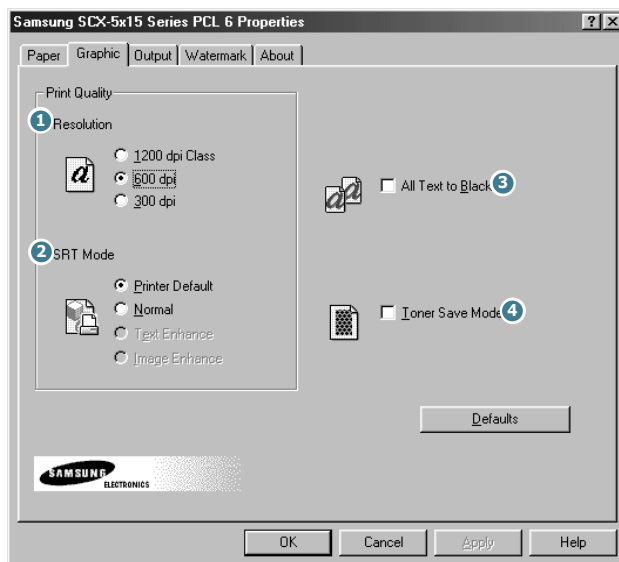


<p>1</p>	<p>Click on the box to put a check mark to use the different paper source for the first page. Select the desired paper source for the first page and other pages independently.</p>	
<p>2</p>	<p>Select the desired paper source. Select Tray if you load media in the paper Tray, Multi-Purpose Tray if you load in the Multi-Purpose Tray.</p>	
<p>3</p>	<p>Select the size of paper you are using.</p>	



Graphic Tab

The **Graphic** tab allows you to adjust the print quality for your specific printing needs.



1 You can select the printing resolution. The higher the setting, the sharpen the clarity of printed image. Higher settings may increase the time it takes to print a document.

2 When you print with the resolution of 300, 600, 1200 dpi, some printed characters or images can appear to have jagged or uneven edges. Set this Samsung Resolution enhancement Technology (SRT) option to improve the print quality of your text and images, make the characters and images appear smoother.

- Printer Default - Choose this setting to use the SRT that your printer provides.
- Normal - Choose to disable SRT mode.
- Text Enhance - Choose to refine the print quality of characters by smoothing out jagged edges that can occur on the angles and curves of each character.
- Image Enhance - Choose to refine the print quality of photo images using SRT.

3 With this option checked all text in your document will be printed in solid black. When it is not checked, colored text is printed in shades of gray.

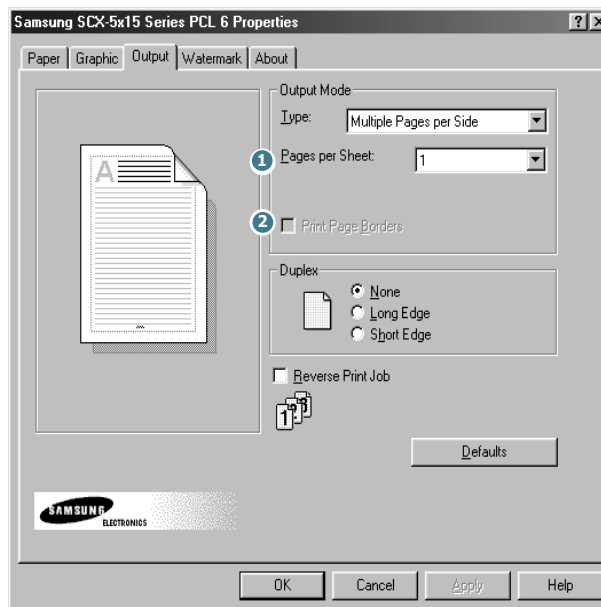
4 Toner Save Mode allows the printer to use less toner on each page. Using this mode will extend the life of your toner cartridge and reduce your cost per page, but will reduce print quality. Click to put a check mark and enable this mode.

Output Tab

The **Output** tab provides options for you to adjust how the document will appear on the printed page. The Output Mode Type options includes **Multiple Pages per Side**, **Booklet Printing**, **Fit to Page**, **Poster** and **Duplex printing**.

Multiple Pages per Side

Choose the **Multiple Pages per Side** option to print multiple pages on a single sheet of paper

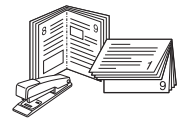
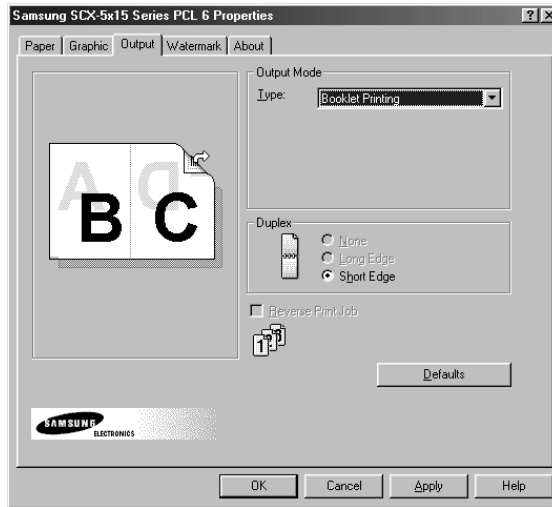


1 Select the number of page you want to print per sheet (1,2,4,6,9 or 16) in the Pages per Sheet drop-down list.

2 Click on the box to put a check mark so that a border is printed around each page on the sheet.

Booklet Printing

The **Booklet Printing** option allows you to print a document out as a booklet.



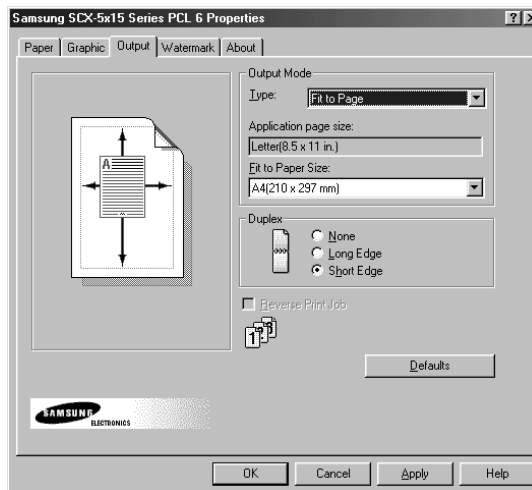
Once your document prints, fold the pages in half and staple the pages.



Booklet printing is available only when you select **Plain Paper** for Paper Type in the Paper tab.

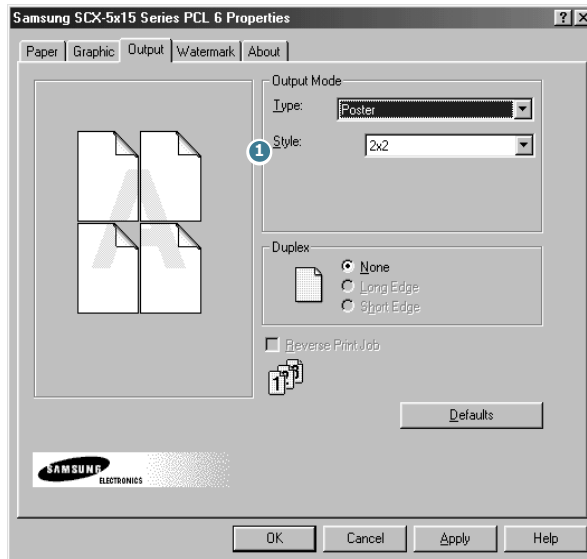
Fit to Page

Choose this option to scale your print job to any selected paper size regardless of the logical document size.



Poster

Choose the **Poster** option to enlarge the printed document.



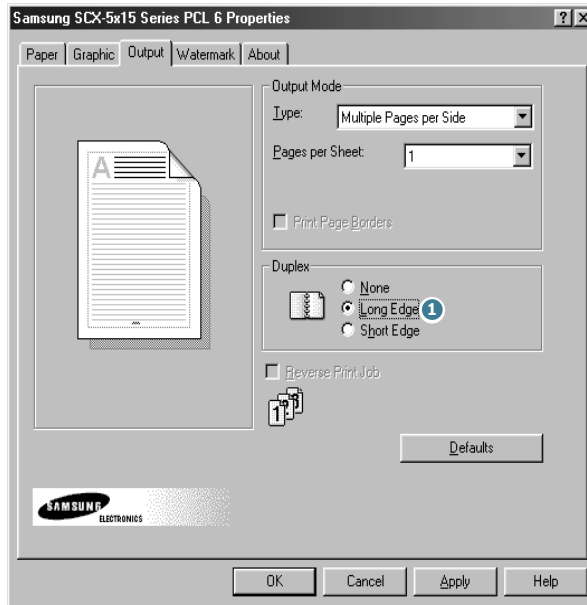
To determine the scaling factor, select the style. You can choose from: **2x2**, **3x3**, or **4x4**.

1

For example, if you select **2x2**, the output will be automatically stretched to cover 4 physical pages.

Duplex Printing

Choose the **Duplex** option from the **Output** tab to print the document on both sides of the paper.



Choosing **Long Edge** lets you have the binding orientation along the long edge of the paper as in a magazine.

- 1 Choosing **Short Edge** lets you have the binding orientation along the short edge of the paper as in a calendar.

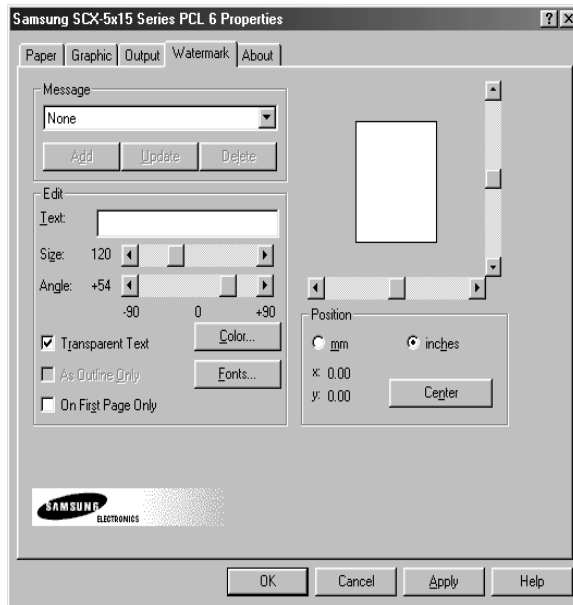


Duplex printing is available only when you select **Plain Paper** for Paper Type in the Paper tab.

Watermark Tab

The **Watermark** tab allows you to create a background image or text to print on each page of your document.

Watermarks are useful for printing identifying information on a document, information such as "DRAFT" or "CONFIDENTIAL", or perhaps the name of your company or department. By changing the watermark settings, you can create faint watermarks that are not intrusive to a document, or bold watermarks to call attention to specific information.



To create a watermark, enter the desired text message in the Text field, and select the desired watermark options. You can select the font type and size, color, position, and angle.

To add a new watermark to the list, click **Add**.

About Tab

The **About** tab gives you the programme version number. If you click on the globe image on the window, you will be connected to the Samsung web site provided you have access to the Internet.

Printer Properties Buttons & Icons

- Click **OK** when you finish reviewing or making changes.
- Click **Cancel** if you want to exit the tab menus without applying any changes.
- Click **Help** to view the online Help feature and tab menu details.
- Click the **?** icon in the title bar to get information about specific setting on the page. Position the **?** pointer over the parameter in question and click to see a pop-up window for an explanation.

Setting Up the Locally Shared Printer

You can connect the machine directly to a selected computer, which is called the "host computer," on the network. Your machine can be shared by other users on the network through a Windows 9x, Me, 2000, XP or NT 4.0 network printer connection.

In Windows 9x/Me

Setting Up the Host Computer

- 1** Start Windows.
- 2** From the **Start** menu, select **Control Panel** and double-click on the **Network** icon.
- 3** Check the **File and Print Sharing** box and click **OK**.

- 4 Click **Start** and select **Printers** from **Settings**. Double-click your printer name.
- 5 Select **Properties** in the **Printer** menu.
- 6 Click the **Sharing** tab and check the **Shared As** box. Fill in the **Shared Name** field and then click **OK**.

Setting Up the Client Computer

- 1 Right-click **Start** and select **Explorer**.
- 2 Open your network folder in the left column.
- 3 Right-click the shared name and select **Capture Printer Port**.
- 4 Select the port you want, check the **Reconnect at log on** box and then click **OK**.
- 5 From the **Start** menu, select **Settings** and then **Printers**.
- 6 Double-click your printer icon.
- 7 From the **Printer** menu, select **Properties**.
- 8 From the **Details** tab, select the printer port and click **OK**.

In Windows NT 4.0/2000/XP

Setting Up the Host Computer

- 1 Start Windows.
- 2 For Windows NT 4.0/2000, from the **Start** menu, select **Settings** and then **Printers**.
For Windows XP, from the **Start** menu, select **Printers and Faxes**.
- 3 Double-click your printer icon.
- 4 From the **Printer** menu, select **Sharing**.
- 5 For Windows NT 4.0, check the **Shared** box.
For Windows 2000, check the **Shared As** box.

For Windows XP, check the **Share this printer** box.

- 6 For Windows NT 4.0, fill in the **Share Name** field and click **OK**.

For Windows 2000/XP, fill in the **Shared Name** field and click **OK**.

Setting Up the Client Computer

- 1 Right-click **Start** and select **Explorer**.
- 2 Open your network folder in the left column.
- 3 Click the shared name.
- 4 For Windows NT 4.0/2000, from the **Start** menu, select **Settings** and **Printers**.

For Windows XP, from the **Start** menu, select **Printers and Faxes**.

- 5 Double-click your printer icon.
 - 6 From the **Printer** menu, select **Properties**.
 - 7 Press the **Ports** tab and click **Add Port**.
 - 8 Select **Local Port** and click **New Port**.
 - 9 Fill in the **Enter a port name** field and enter the shared name.
 - 10 Click **OK** and click **Close**.
 - 11 For Windows NT 4.0, click **OK**.
- For Windows 2000/XP, click **Apply** and click **OK**.



6

SCANNING

Scanning with your machine lets you turn pictures and text into digital files on your computer. Then you can fax or e-mail the files, display them on your web site, or use them to create projects that you can print out using Samsung SmarThru software which came with your machine.

This chapter includes:

- **Scanning using the Samsung SmarThru**
- **Scanning Process with TWAIN-enabled Software**

Scanning using the Samsung SmarThru

SmarThru is the accompanying software for your machine. With SmarThru, scanning becomes a pleasure.

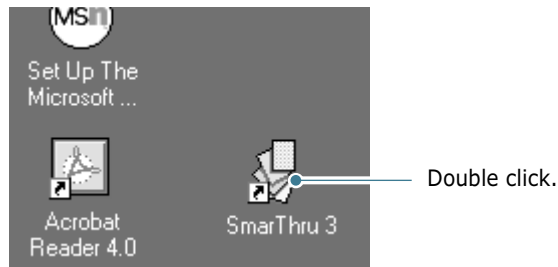
Take the following steps to start scanning using SmarThru:

- 1 Feed the document(s) to be scanned **face up** into the ADF.

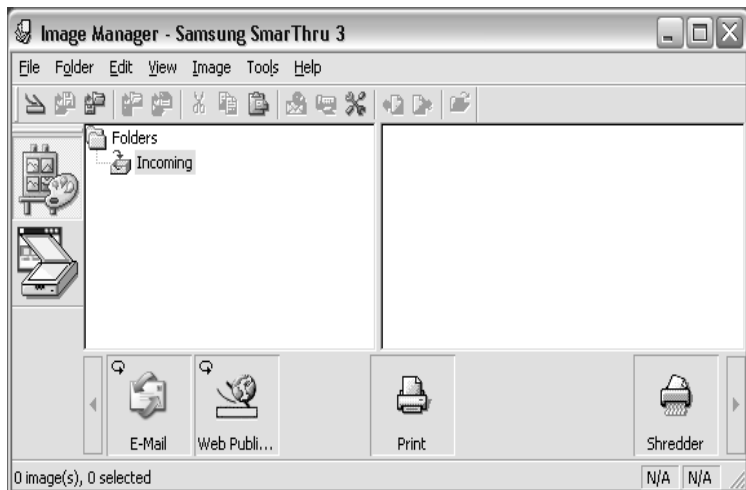
Or

Place a single document on the document glass **face down** then close the cover.

- 2 Once you have installed the Samsung software, you will see the SmarThru icon on the desktop window. Double-click the SmarThru 3 icon.



The SmarThru 3 window opens.



- 3 To open the Scan Wizard, click the Scan Wizard icon in the plugin bar on the left of the SmarThru 3 window.



The Scan Wizard lets you use the following services:

• **Scan**

Lets you scan the original documents and save them in the Image Manager of the Samsung SmarThru system. The Image Manager is an image database manager and image editing program.

• **Copy**

Lets you use your machine to produce professional quality copies. You can adjust the image size and select advanced settings.

• **Scan to Email**

Lets you scan the original document then launches a New Message form to send the just scanned image attached to a new mail. The email account must be configured in the Samsung SmarThru system to enable e-mail services.

• **Scan to FAX**

Lets you scan the original documents then launches a New Fax form which helps you to send them as a fax image.

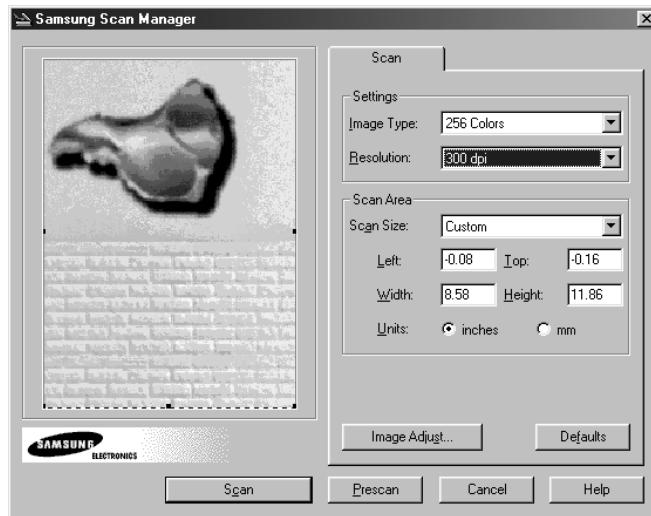
• **Scan to WEB**

Lets you scan the original documents for further publishing to the Web.

• **Scan to OCR**

Lets you scan the original documents and pass them to the OCR program. OCR (Optical Character Recognition) is the process of converting a scanned image into text that you can edit in a word processing program. After you scan your document, the software processes or "recognises" it. Then you can edit it and either save the file or open it in any word processing program on your computer.

- 4 Click the desired service.
- 5 The Samsung Scan Manager opens for the selected service. Adjust the scan settings. You can use the **Help** button to receive on-line help.



- 6 To begin scanning, click **Scan**.

For further information, please refer to the SmarThru User's Guide which came with your machine.

Scanning Process with TWAIN-enabled Software

If you want to scan documents using other software, you will need to use TWAIN-compliant software, such as Adobe PhotoDeluxe or Adobe Photoshop. The first time you scan with your machine, you will need to select it as your TWAIN source in the application you will use.

The basic scanning process involves a number of steps:

- Place your photograph or page on the document glass.
- Open an application, such as PhotoDeluxe or Photoshop.
- Open the TWAIN window and setting the scan options.
- Scan and save your scanned image.

You need to follow the programme's instructions for acquiring an image. Please refer to the user's guide for the application.



7

MAINTENANCE

This chapter provides information for maintaining the cartridge and your machine.

This chapter includes:

- **Cleaning the Scan Unit**
- **Expected Cartridge Life**
- **Replacing the Toner Cartridge**
- **Setting to Notify Toner Low**
(Available in SCX-5315F only)
- **Cleaning the Drum**
- **Replacing the Drum Cartridge**
- **Consumables and Replacement Parts**

Cleaning the Scan Unit

Keeping the scan unit clean helps ensure the best possible copies. We suggest that you clean the scan unit at the start of each day and during the day as needed.

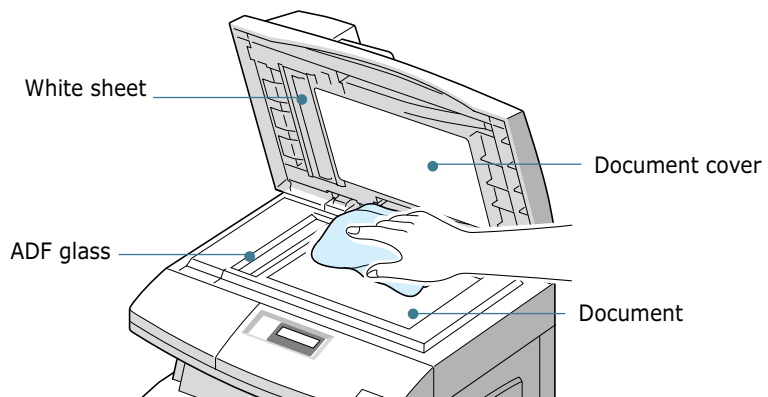


CAUTIONS: Cleaning the cabinet of the printer with surfactants containing large amounts of alcohol, solvent or other strong substances can discolor or crack the cabinet.



NOTE: Clean the cabinet of the printer with a soft, lint-free cloth. You can dampen the cloth slightly with water, but be careful not to be let any water drip onto the printer or inside of it.

- 1 Slightly dampen a soft lint-free cloth or paper towel with water.
- 2 Open the document cover.
- 3 Wipe the surface of the document glass and ADF glass until it is clean and dry.



- 4 Wipe the underside of the white document cover and white sheet until it is clean and dry.
- 5 Close the document cover.

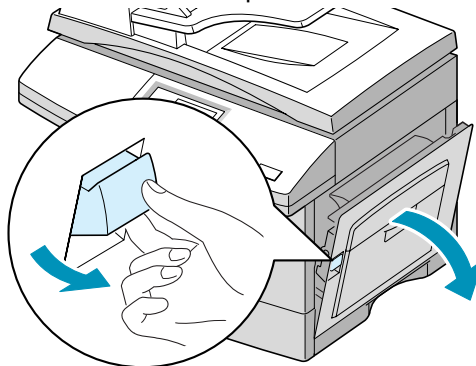
Expected Cartridge Life

The life of your toner cartridge depends on the amount of toner used in each print job. For instance, when you print a typical business letter with about 5% page coverage, you can expect a toner cartridge life of approximately 6,000 pages. The actual number may vary according to the print density of the page you print. If you print a lot of graphics, you may need to change the cartridge more often.

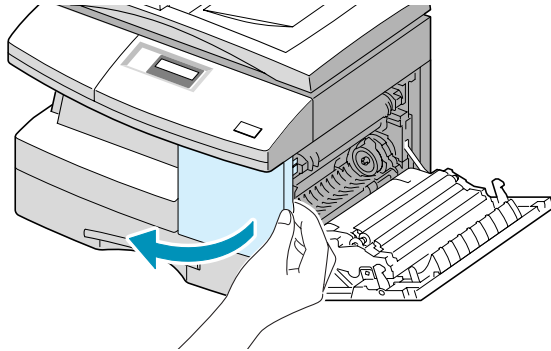
Replacing the Toner Cartridge

When the toner cartridge is near the end of its life, white streaks or light copy will occur. The LCD displays a warning message "TONER LOW." You can temporarily re-establish the print quality by re-distributing the remaining toner in the cartridge. To do this:

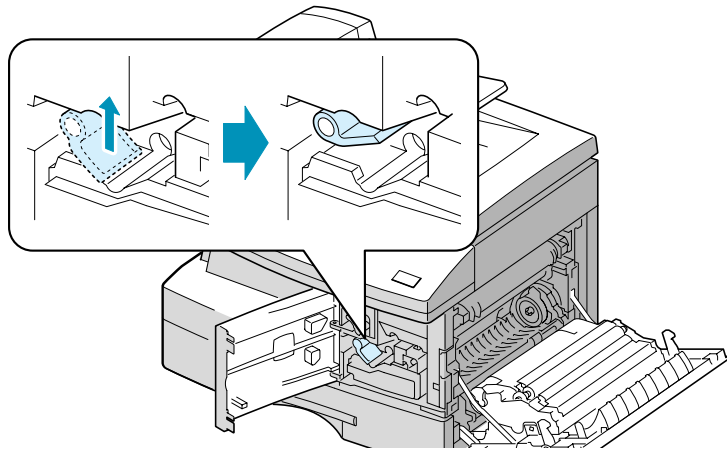
- 1 Pull the release lever to open the side cover.



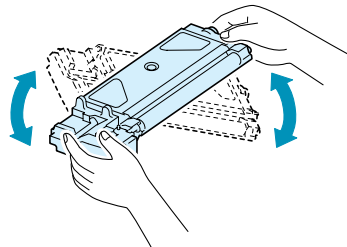
- 2 Open the front cover.



- 3 Turn the cartridge locking lever upwards to release the toner cartridge.



- 4 Pull the toner cartridge out and gently shake the cartridge to distribute the toner evenly inside the cartridge.



NOTE: If the toner gets on your clothing, wipe it off with a dry cloth and wash clothing in cold water. Hot water sets the toner into fabric.

- 5** Reinstall the cartridge and turn the cartridge locking lever downwards.
- 6** Close the front cover, then the side cover. The display shows "NEW TONER? 1.YES 2.NO."
- 7** Select "NO" by pressing **2**. The machine returns to Standby mode. This is typically successful only one time.

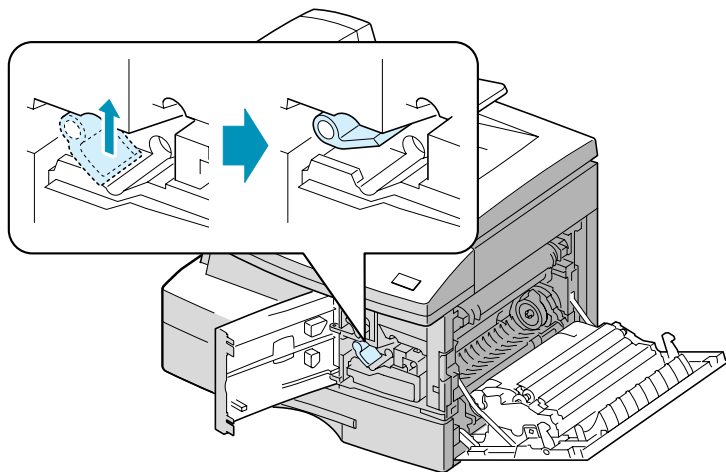
When the toner eventually runs out, only blank pages will print when a print job is sent, or when a fax is received. At this stage, the toner cartridge needs to be replaced. The display shows the warning message "TONER EMPTY."

Take the following steps to replace the toner cartridge:

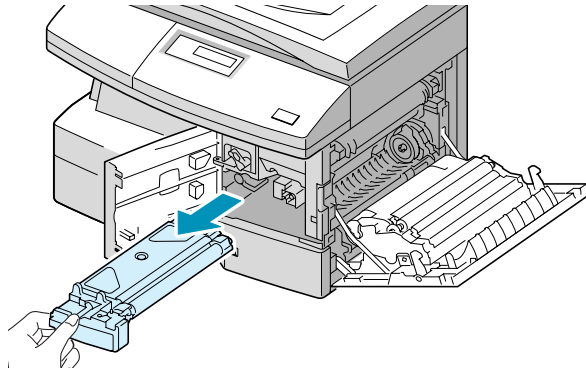
- 1** The side cover must be open to open the front cover.

Make sure that the side cover is open before opening the front cover.

- 2** Turn the cartridge locking lever upwards to release the toner cartridge.

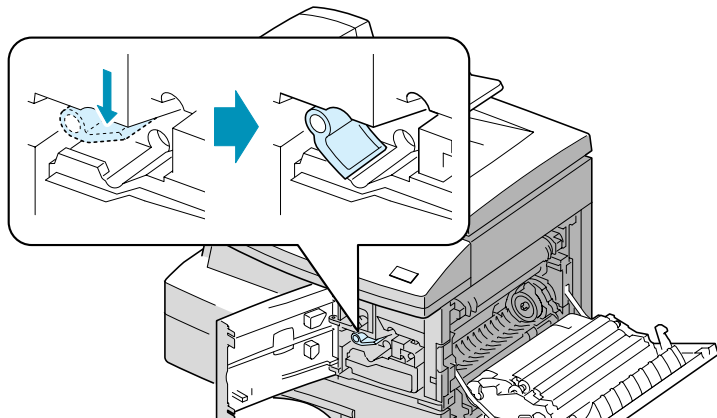


- 3 Pull the used cartridge out.



NOTE: Help the environment by recycling your used toner cartridge. Refer to the recycling brochure packed with the toner cartridge for details.

- 4 Shake the new toner cartridge horizontally four or five times.
Save the box and the cover for shipping.
- 5 Slide the new toner cartridge in until it locks in place.
- 6 Turn the cartridge locking lever downwards until it locks in place.



- 7 Close the front cover, then the side cover. The display shows "NEW TONER? 1.YES 2.NO".
- 8 Select "YES" by pressing **1**. The machine returns to Standby mode.

Setting to Notify Toner Low

(Available in SCX-5315F only)

If you have set this NOTIFY TONER LOW menu option to "ON," your machine automatically sends a fax to your service company or the dealer to notify them that your machine requires a new toner cartridge when the toner cartridge needs to be replaced. The fax number is preset by your dealer when you bought your machine.

- 1** Press **Menu/Exit** and then **Maintenance** from the one-touch dial keypad.
- 2** Use \wedge or \vee until "NOTIFY TONER" appears on the bottom line of the display, and press **Mode/Enter**.

"NOTIFY TONER LOW" appears on the top line and the current setting appears on the bottom line.
- 3** Press \lt or \gt to change the setting. Select "ON" to enable this feature, then press **Mode/Enter**.

Select "OFF" disables this feature.
- 4** Enter your fax number, and then press **Mode/Enter**.
- 5** Enter your name of up to 20 digits, and then press **Mode/Enter**.
- 6** Enter the service company's phone number to which your machine sends the fax message to notify Toner Low, and then press **Mode/Enter**.
- 7** Enter the serial number of your machine, and then press **Mode/Enter**.

Cleaning the Drum

If there are streaks or spots on your print, the drum cartridge may require cleaning.

- 1 Before setting the cleaning procedure, make sure that paper is loaded in the machine.
- 2 SCX-5315F users should press **Menu/Exit** then **Maintenance** from the one-touch dial keypad.

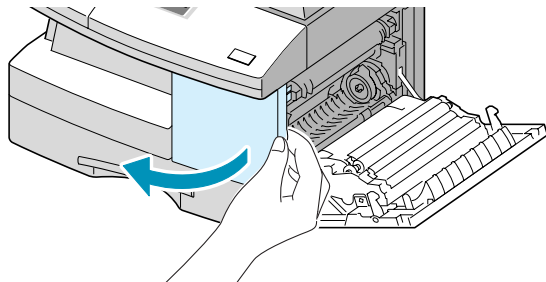
SCX-5115 users should press **Menu** then press \wedge or \vee until "MAINTENANCE" appears on the top line.
- 3 "CLEAN DRUM" appears on the bottom line of the display. Press **Mode/Enter** (**Enter** on SCX-5115).
- 4 The machine prints out a cleaning page. Toner particles on the drum surface are affixed to the paper. Repeat this process three or four times.

Replacing the Drum Cartridge

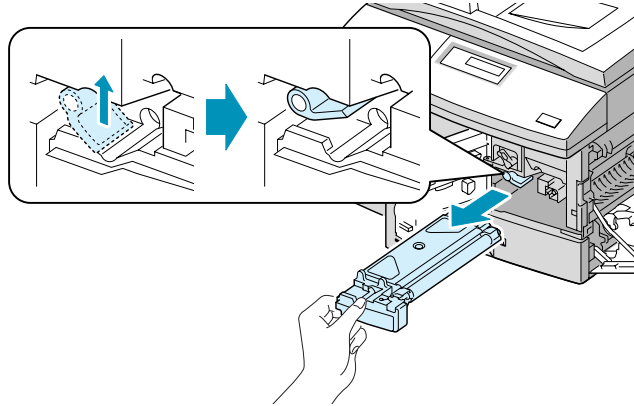
The useful life of the drum cartridge is approximately 15,000 copies. The LCD displays "DRUM WARNING" when the drum is near the end of life. Approximately 1,000 more copies can be made, but you should have a replacement drum cartridge in stock. When "DRUM EMPTY" is displayed, the machine will stop operating until the drum cartridge is replaced.

To replace the drum cartridge:

- 1 Open the side cover, then the front cover.
The side cover is open before opening the front cover.

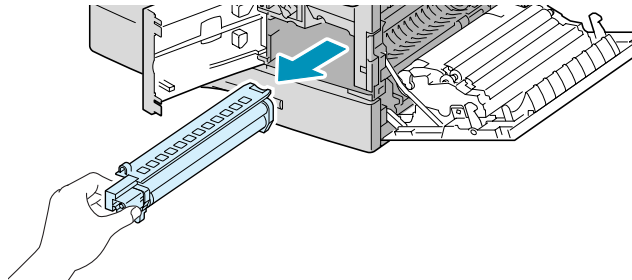


- 2 Turn the cartridge locking lever upwards to unlock the toner cartridge, then pull the toner cartridge out.



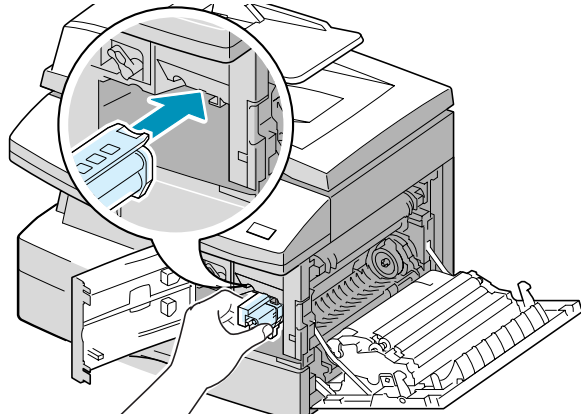
NOTE: The toner cartridge must be removed to replace the drum cartridge.

- 3 Pull the used drum cartridge out.

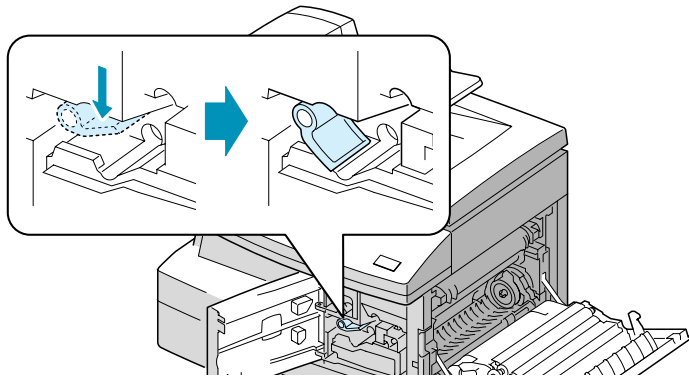


NOTE: Help the environment by recycling your used drum cartridge. Refer to the recycling brochure packed with the drum cartridge for details.

- 4 Unpack the new drum cartridge and slide it into place, making sure not to touch the surface of the drum.



- 5 Reinstall the toner cartridge, and then lock the lever.



NOTE: If your machine automatically recognises the replaced cartridge, you can skip steps 6 and 7.

- 6 Close the front cover and the side cover. The LCD displays "NEW DRUM? 1.YES 2.NO".
- 7 Select "YES" by pressing **1**. The machine returns to Standby mode.

If the drum cartridge does not work properly and you have to replace it with a new one before "DRUM WARNING" or "DRUM EMPTY" may appears on the display, replace the drum cartridge as described above then take the following steps to reset the drum counter:

- 1 Press **Menu/Exit** then **Maintenance** from the one-touch dial keypad.

SCX-5115 users should press **Menu** then press \wedge or \vee until "MAINTENANCE" appears on the top line.

- 2 Use \wedge or \vee until "NEW DRUM" appears on the bottom line of the display, and press **Mode/Enter** (**Enter** on SCX-5115).
- 3 "NEW DRUM UNIT?" appears on the top line and "1.YES
2.NO" appears on the bottom line. Press **1** to select "1.YES."



NOTE: If you do not reset the counter, "DRUM WARNING" or "DRUM ENPTY" may appear before the current drum cartridge's time is up.

Consumables and Replacement Parts

From time to time, you will need to replace the toner and drum cartridges, roller, and fuser unit to maintain top performance and to avoid print quality problems and paper feed problems resulting from worn parts.

The following items should be replaced after you have printed a specified number of pages. See the table below.

Items	Yield(Average)
ADF Rubber Pad	20,000
ADF Roller	50,000
Paper Feeding Roller	75,000
Transfer Roller	75,000
Fuser Unit	75,000

To purchase the consumables and replacement parts, contact your local Samsung dealer or outlet you bought your machine from. We strongly recommend that items be installed by a trained service professional, except for the print cartridge.

MEMO



7.12 MAINTENANCE

8

TROUBLESHOOTING

This chapter gives helpful information for what to do if you encounter an error.

This chapter includes:

- **Document Jams**
- **Paper Jams**
- **LCD Error Messages**
- **Solving Problems**

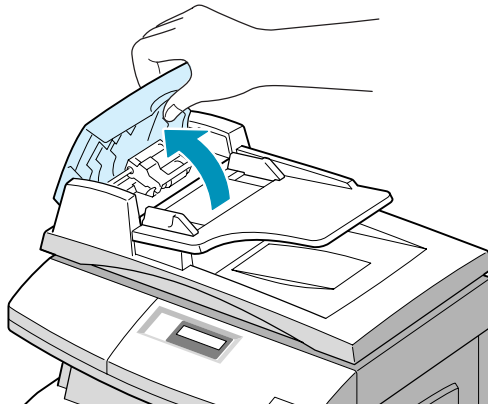
Document Jams

If a document jams while it is feeding through the ADF, "DOCUMENT JAM" appears on the display.

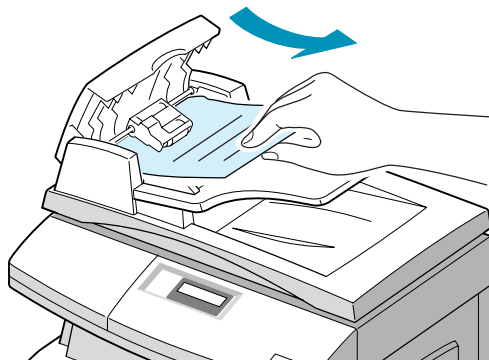
Details for clearing the three types of document misfeeds are given below.

Input Misfeed

- 1 Open the ADF top cover.



- 2 Pull the document gently to the right and out of the ADF.



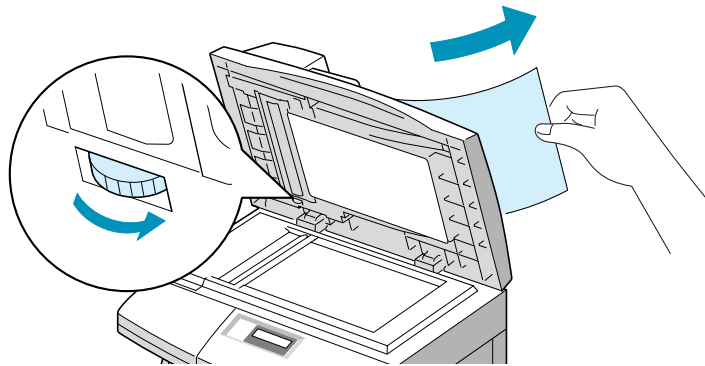
- 3 Close the ADF top cover. Then place the documents back into the ADF.



NOTE: To prevent document jams, use the document scanner glass for thick, thin or mixed documents.

Exit Misfeed

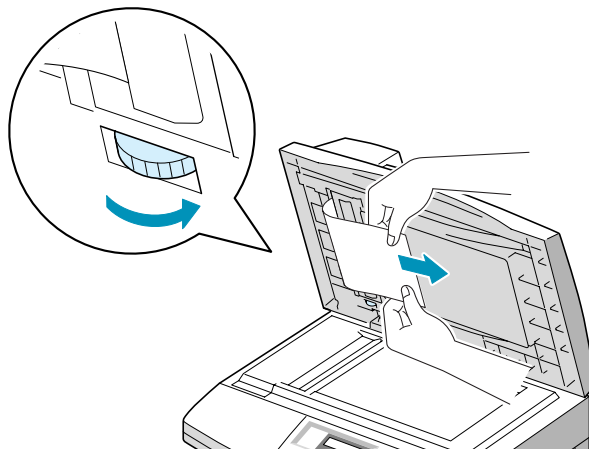
- 1 Open the document cover and turn the release knob to remove the misfed documents from the exit area.



- 2 Close the document cover. Then place the documents back into the ADF.

Roller Misfeed

- 1 Open the document cover.
- 2 Turn the release knob so that you can easily seize the misfed document, and remove the document from the ADF or the feed area by carefully pulling it rightwards using both hands.



- 3 Close the document cover. Then place the documents back into the ADF.

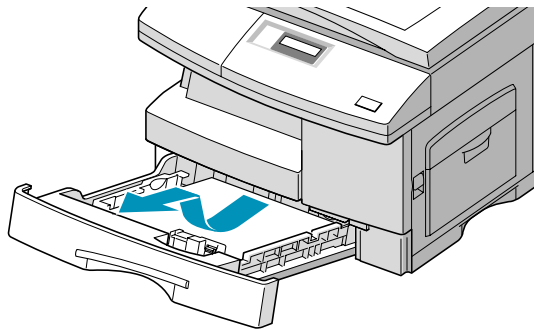
Paper Jams

If paper jams occur, "PAPER JAM" appears on the display. Follow the steps below to clear the jam. To avoid tearing the paper, pull the jammed paper out gently and slowly.

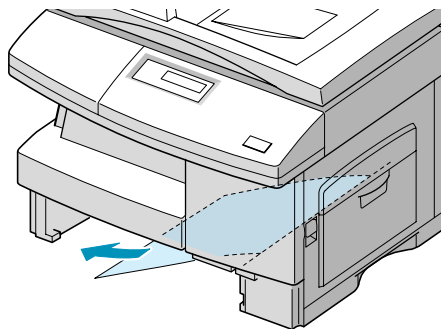
Paper Feed Area

If the paper jammed in the feed area, "PAPER JAM0" appears in the display.

- 1 Pull the paper Tray open. After you pull it out completely, lift the front part of the Tray slightly up to release the Tray from the machine.



- 2 Remove the jammed paper by gently pulling it straight out.



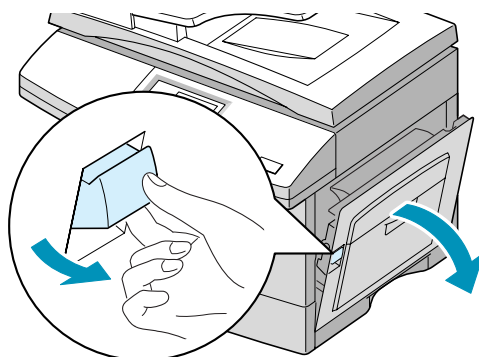
Once you remove the jammed paper here, open the side cover and then close it to clear the "PAPER JAM" message on the display.

If there is any resistance, and the paper does not move immediately when you pull, stop pulling. Then:

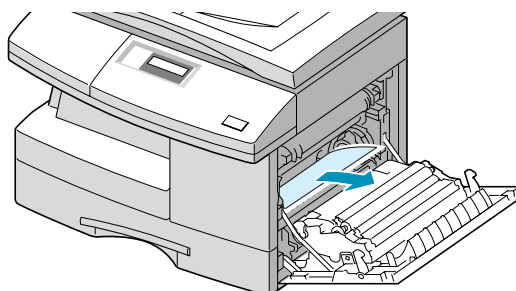
- 3 Pull the release lever to open the side cover.



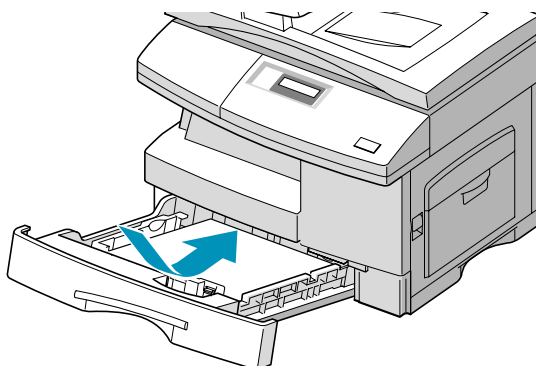
NOTE: Do not touch the shiny drum cartridge surface. Scratches or smudges will result in poor copy quality.



- 4 Carefully remove the misfed paper in the direction shown.



- 5 Close the cover and insert the paper Tray. Lower the rear part of the Tray to align the rear edge to the corresponding slot of the machine, then insert it completely.



Fuser Area

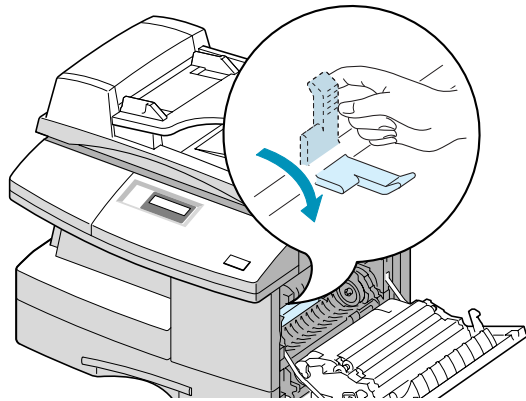
If the paper jammed in the fuser area, "PAPER JAM 1" appears on the display:



NOTE: The fuser area is hot. Take care when removing paper from the machine.

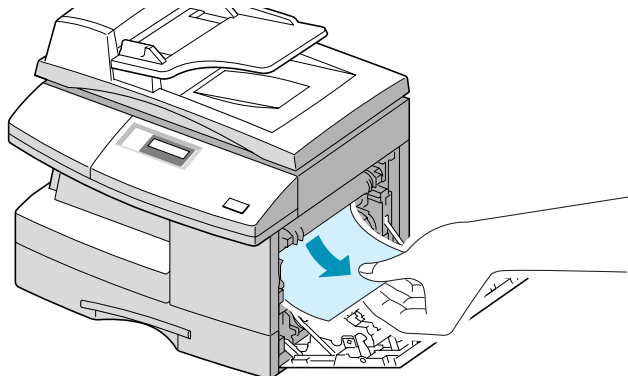
- 1 Lift the release lever to open the side cover.
- 2 Pull down on the fuser lever as shown below. This will release pressure on the paper.

If paper is not seen in this area, skip to the Exit Area.

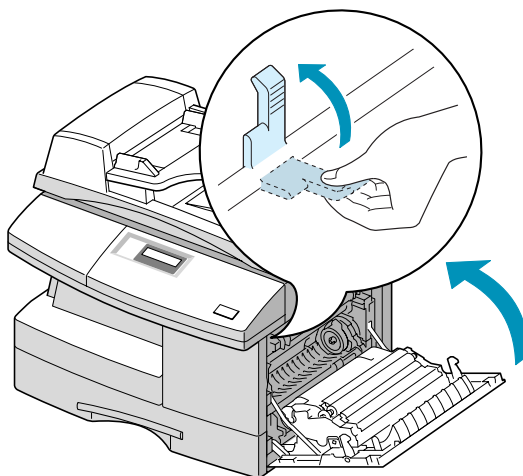


NOTE: Do not pull paper up through the fusing unit. Unfused toner may adhere in the area, resulting in smudged copies.

- 3 Remove the jammed paper, in the direction shown.



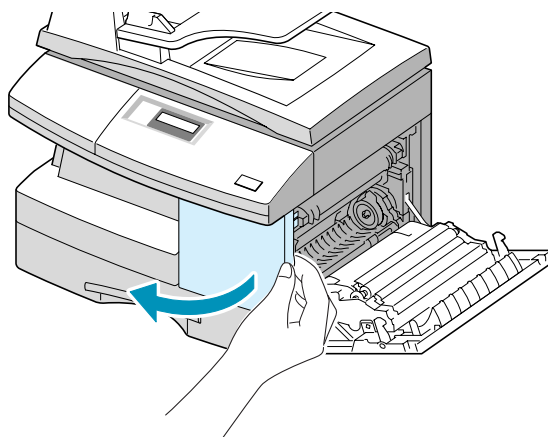
- 4 Push the fuser lever up, and then close the side cover.



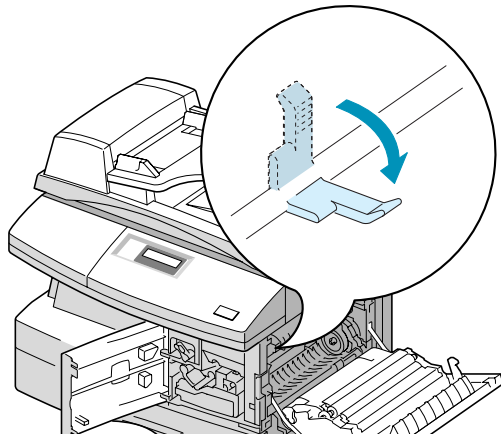
Paper Exit Area

If the paper jammed in the exit area, "PAPER JAM 2" appears on the display.

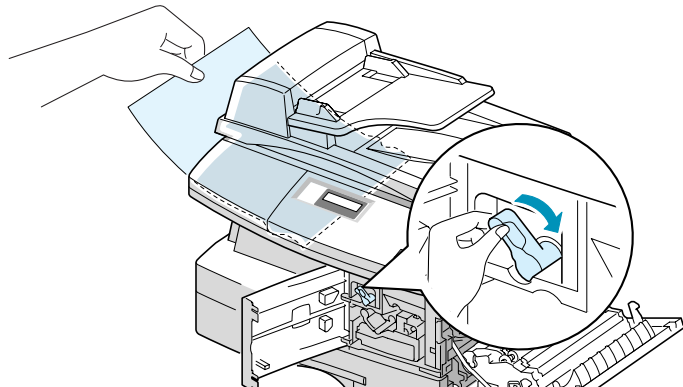
- 1 Press the release lever to open the side cover.
- 2 Open the front cover.



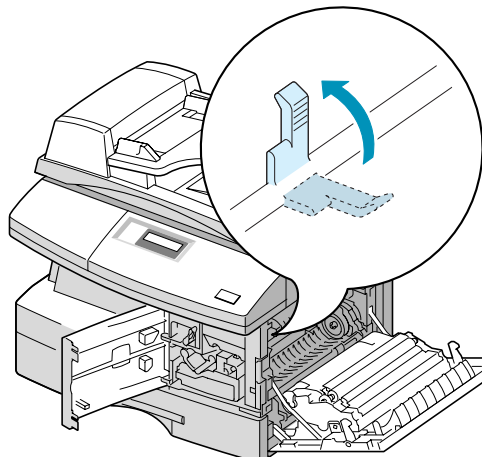
- 3 Pull down on the fuser lever. This will release pressure on the paper.



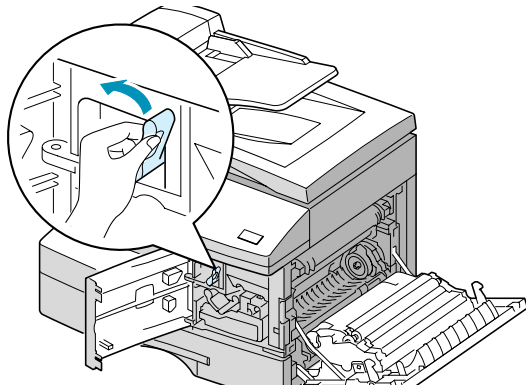
- 4 Turn the Jam Remove Lever in the direction of the arrow to move the paper to the exit area, then gently pull the paper out through the exit area.



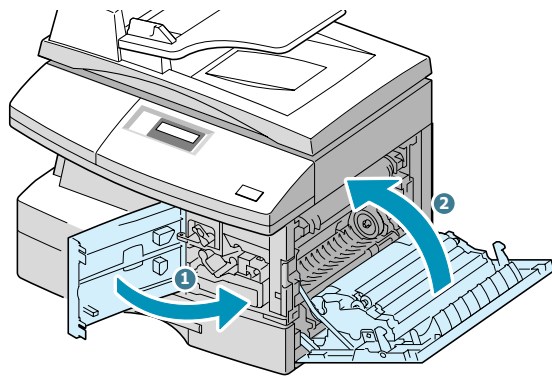
- 5 Push the fuser lever up.



- 6 Turn the Jam Remove Lever back to the original position.



- 7 Close the front cover ❶ and the side cover ❷.



Duplex Jam

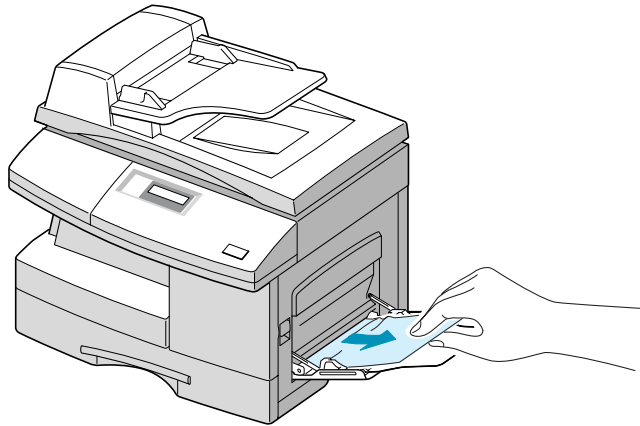
If paper jam occurs in the duplexer, "DUPLEX JAM" appears on the display.

- 1 Press the release lever to open the side cover.
- 2 Remove the jammed paper. Then close the side cover.

Multi-Purpose Tray Jam

"BYPASS JAM" appears on the display when you try to print using the Multi-Purpose Tray and the machine does not detect paper due to no paper or improper paper loading.

"BYPASS JAM" also may occur when the paper is not properly fed into the machine through the Multi-Purpose Tray. In that case, pull the paper out of the machine.



LCD Error Messages

Display	Meaning	Solution
BYPASS JAM	The machine detects no feeding from the Multi-Purpose Tray.	Load paper in the Multi-Purpose Tray.
DOCUMENT JAM	The loaded document has jammed in the ADF.	Clear the document jam. See page 8.2.
DOOR OPEN	The side cover is not securely latched.	Close the side cover until it locks into place.
DRUM WARNING	The drum cartridge is near the end of its life.	You should have a replacement cartridge in stock.
DUPLEX JAM	Paper has jammed in the middle of a 2-sided print job.	Clear the jam. See page 8.9.
DRUM EMPTY	The drum cartridge is empty.	Replace the drum cartridge. See page 7.8.
FUSER ERROR	There is a problem in the fuser unit.	Unplug the power cord and plug it back in. If the problem still persists, please call for service.
OPEN HEAT ERROR		
HEATING ERROR		
OVER HEAT		
INVALID CARTRIDGE	You have used an unauthorised cartridge.	You must use a Samsung-approved cartridge.
LINE ERROR (for SCX-5315F only)	Your machine cannot connect with the remote machine, or has lost contact because of a problem with the phone line.	Try again. If the problem persists, wait an hour or so for the line to clear, then try again. Or, turn the ECM mode on. See 'System Data Options' in the Facsimile User's Guide.
LSU ERROR	A problem has occurred in the LSU (Laser Scanning Unit).	Unplug the power cord and plug it back in. If the problem still persists, please call for service.

Display	Meaning	Solution
MEMORY FULL (for SCX-5315F only)	The memory is full.	Either delete unnecessary documents, retransmit after more memory becomes available, or split the transmission into more than one operation.
NO ANSWER (for SCX-5315F only)	The remote fax machine has not answered after several redial attempts.	Try again. Make sure the remote machine is operational.
POLLING ERROR (for SCX-5315F only)	The remote fax machine you want to poll is not ready to respond to your poll. Or, when setting up to poll another fax machine, you have used an incorrect poll code.	The remote operator should know in advance that you are polling and have the fax machine loaded with the original document. Enter the correct poll code.
NO DEVELOPER CARTRIDGE	The drum cartridge is not installed.	Install the drum cartridge.
NO PAPER	The paper in the paper Tray has run out.	Load paper in the paper Tray.
RX TRAY FULL	Paper is overstacked in the output bin.	Remove paper.
PAPER JAM 0	Paper has jammed in the paper feeding area of the Tray.	Clear the jam. See page 8.4.
PAPER JAM 1	Paper has jammed in the fuser area.	Clear the jam. See page 8.6.
PAPER JAM 2	Paper has jammed in the paper exit area.	Clear the jam. See page 8.7.
RETRY REDIAL? (for SCX-5315F only)	The machine is waiting for a specified time interval to redial a previously busy station.	You can press Mode/Enter to immediately redial, or Stop/Clear to cancel the redial operation.
SCANNER LOCKED	The scan module is locked.	Unlock the scanner (see page 1.2) and press Stop/Clear .

Display	Meaning	Solution
TONER EMPTY	The toner cartridge has run out. The machine stops.	Replace with a new toner cartridge. See page 7.3.
TONER LOW	The toner is almost empty.	Take out the toner cartridge and gently shake it. By doing this, you can temporarily re-establish printing operations.

Solving Problems

The following chart lists some conditions that may occur and the recommended solutions. Follow the suggested solutions until the problem is corrected. If the problem persists, please contact a service engineer.

Copier Problem Solution Chart

Condition	Suggested solutions
The LCD does not turn on.	Check that the machine is plugged into an electrical supply. Ensure that there is power to the socket where the unit is plugged in to and that the machine power switch is in the ON position.
The machine beeps an error sound and does not make a copy.	Make sure that the machine is in copy mode. If not, change the mode to the Copy mode by pressing Mode/Enter .
Copies are too light or too dark.	If the original is light, use the Contrast button to darken the background of the copies. If the original is dark, use the Contrast button to lighten the background of the copies.
Smears, lines, marks, or spots on copies.	If the defects are on the original, press the Contrast button to lighten the background of your copies. If no defects are on the original, clean the document glass and underside of the document cover.
White or black lines on your copy.	Check to see if the temperature is too low. When it is lower than 10 °C , copy your document 1 hour after you turn the machine on.

Condition	Suggested solutions
Copy image is skewed.	<p>Ensure that original is positioned correctly on document glass.</p> <p>Check that the copy paper is loaded correctly.</p>
Blank copies.	<p>Ensure that the original is face down on the document glass or face up in the ADF.</p>
Image rubs off the copy easily.	<p>Replace the paper in the Tray with paper from a new package.</p> <p>In high humidity areas do not leave paper in the machine for extended periods of time.</p>
Frequent copy paper jams.	<p>Fan the stack of paper, then turn it over in the Tray. Replace the paper in paper Tray with a fresh supply. Check/adjust the paper guides, if necessary.</p> <p>Ensure that the paper is the proper paper weight. 20 lb (75 g/m²) bond paper is recommended. Check for copy paper or pieces of copy paper remaining in the machine after a paper jam has been cleared.</p>
Toner yield is lower than expected and TONER LOW message appears on the LCD.	<p>Toner may be lodged in the cartridge. Remove the toner cartridge. Shake the toner cartridge and tap along the top of the toner cartridge over a waste receptacle. Take care not to touch the exposed toner on the left side of the cartridge.</p>
Fewer copies from the toner cartridge than expected.	<p>Your originals may contain pictures, solids, or heavy lines, for example, forms, newsletters, books or other documents that use more toner. The machine may be turned frequently on and off. The document cover is being left open while copies are being made.</p>
The following message appears on your computer screen: Scanner is busy receiving or printing data. When the current job is completed, try again.	<p>There may be a copying or printing job in progress. When the current job is completed, try the job again.</p>

Printing Problem Solution Chart

Condition	Probable cause	Suggested solutions
Your machine does not print.	The IEEE-1284 parallel cable or USB cable is not connected properly.	Check the cable connection.
	The IEEE-1284 parallel cable or USB cable is defective.	Check the cable with a computer and printer that work. If printing is still not possible, replace the cable.
	The port setting is incorrect.	Check the printer settings in the Windows Control Panel to make sure that the print job is being sent to the correct port. (For Example: LPT1.)
Your machine does not print. (continued)	The toner and drum cartridges are not installed properly.	Check that the toner and drum cartridges are installed properly.
	The printer driver may not be installed properly.	Reinstall the software.
	The parallel port cable specifications may not be correct.	Use the IEEE-1284 parallel port cable supplied with the machine or replace it with an IEEE-1284 compliant cable.
Half of the page is blank.	The page layout is too complex.	Reduce the resolution setting from 600 dpi to 300 dpi. Install more RAM in the computer.
	The page orientation may be incorrect.	Change the page orientation in the printer setup dialogue.

Condition	Probable cause	Suggested solutions
When printing using the USB connection, an error occurs repeatedly.	When the USB mode is set to "FAST" some PC users may experience poor USB communication.	<p>Change the USB mode to "SLOW." To do so, take the following steps:</p> <ol style="list-style-type: none"> 1. Press Menu/Exit then System Setup from the one-touch dial keypad. SCX-5115 users should press Menu then Enter. 2. Use ^ or v until "USB MODE" appears on the top line of the display. The current setting appears on the bottom line. 3. Press < or > to select "SLOW." 4. Press Mode/Enter (Enter on SCX-5115) to save the selection. 5. Press Stop/Clear to return to Standby mode.
Printing is too slow.	The computer parallel port may not be set for high speed communications.	If your computer is equipped with an ECP parallel port, enable this mode of operation. Refer to the Enabling High Speed Printer Communications section and your computer's user guide.
	If using Windows 95, the spool setting may be set incorrectly.	Point to the Start and then click Settings then Printers . Click your printer icon with the right mouse button. Click Properties and then spool settings on the Details tab. Select the desired setting from the available choices.
	Computer may not have enough memory (RAM).	Install more RAM in your computer.
	The print job is large.	Reduce resolution from 600 dpi to 300 dpi.

Condition	Probable cause	Suggested solutions
Irregular faded patches of print.	There is a paper quality problem.	Use only paper that meets the specifications required by the machine.
	Toner may be unevenly distributed.	Remove the toner cartridge and shake it gently to evenly distribute the toner. Then reinstall the toner cartridge.
Black staining	There is a paper quality problem.	Use only paper that meets the specifications required by your machine.
Character voids	The paper may be too dry.	Try printing with a different batch of paper.
Background scatter	The paper may be too damp.	Try printing with a different batch of paper. Do not open packets of paper until necessary so that the paper does not absorb too much moisture from the air.
	Printing over uneven surfaces.	If printing onto envelopes, change your printing layout to avoid printing over areas that have overlapping seams on the reverse side.
Missing characters	The paper may be too damp.	Try printing with a different batch of paper. Do not open packets of paper until necessary so that the paper does not absorb too much moisture from the air.
Back of printout is dirty	The transfer roller may be dirty.	Print a few blank pages to clean the transfer roller.
Faded graphics	Toner may be low.	Remove the toner cartridge and shake it gently to evenly distribute the toner. Then reinstall the toner cartridge. Ensure that you have a spare toner cartridge.

Fax Problem Solution Chart

(Available in SCX-5315F only)

Condition	Suggested solutions
The machine is not working, there is no display and the buttons are not working.	Unplug the power cord and plug it in again. Check that your socket is Live.
No dial tone	Check that the phone line is connected properly. Check that the phone socket on the wall is working by plugging in another phone.
The numbers stored in the memory do not dial correctly.	Make sure that the numbers are stored in the memory correctly. Print a Phone Book list referring to the Facsimile User's Guide.
The document does not feed into the machine.	Make sure that the document is not wrinkled and you are putting it in correctly. Check that the document is the right size, not too thick or thin. Make sure that the ADF top cover is firmly closed.
Faxes are not received automatically.	The FAX mode should be selected. Make sure that there is paper in the Tray. Check if the display shows "MEMORY FULL."
Faxes are not received manually.	Check that you hung up the handset of the external telephone before you started faxing.
Your machine will not send anything.	Make sure that the document is loaded face down/up depending on whether you are using the Document scanner glass or ADF unit. "TX" should show up on the display. Check the other fax machine you are sending to, to see if it can receive your fax.
You cannot poll another machine.	The fax machine you are polling may be using a poll code. Contact the remote operator.

Condition	Suggested solutions
<p>The incoming fax has blank spaces or you received a poor-quality copy.</p>	<p>The fax machine sending you the fax may be faulty.</p> <p>The fax machine sending you a fax may have a dirty document glass. Clean the document glass, referring to page 7.2.</p> <p>A noisy phone line can cause line errors.</p> <p>Check your machine by making a copy.</p> <p>The toner cartridge may be empty. Replace the toner cartridge, referring to page 7.3.</p>
<p>Some of the words are stretched on the incoming fax.</p>	<p>The fax machine sending you the fax had a temporary document jam.</p>
<p>There are lines on the copies or documents you send.</p>	<p>Check your scan glass for marks, and clean it. See page 7.2.</p>
<p>The machine dials a number, but fails to make a connection with another fax machine.</p>	<p>The other fax machine may be turned off, out of paper, or cannot answer incoming calls. Speak with the other machine operator and ask her or him to sort out the problem.</p>
<p>Documents are not stored in the memory</p>	<p>There may not be enough memory to store the document. If the display shows a "MEMORY FULL" message, delete any documents you no longer need from the memory, then restore the document.</p>
<p>Blank areas appear at the bottom of each page or on other pages, with only a small strip of text printed at the top.</p>	<p>You may have chosen the wrong paper settings in the user option setting. Refer to the Facsimile User's Guide to choose the proper paper size.</p>

NOTE





INSTALLING A NETWORK OPTION

You can connect your machine to your network by installing an optional network interface card.

This chapter includes:

- **Installing a Network Interface Card**
- **Configuring Network Parameters**
- **Configuring the Samsung Network Printer Port**

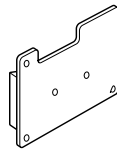
Installing a Network Interface Card

To install an optional network interface card, take the following steps:

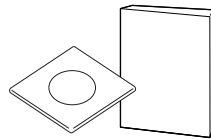
CAUTIONS:

- **DISCONNECT THE POWER CORD.** Never remove the control board while the printer is plugged in. To avoid the possibility of an electrical shock, always disconnect the power cord when installing or removing ANY printer options.
 - **DISCHARGE STATIC ELECTRICITY.** The control board and the interface card are sensitive to static electricity. Before installing or removing the card, discharge static electricity from your body by touching something metal, such as the metal back plate on any device plugged into a grounded power source. If you walk around before finishing installation, discharge any static electricity once again.
-

- 1** Unpack the network interface card. Make sure that there is no missing or damaged part.

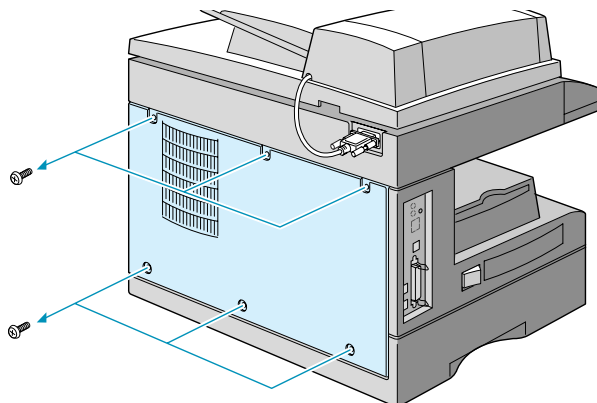


▲ Network Interface Card

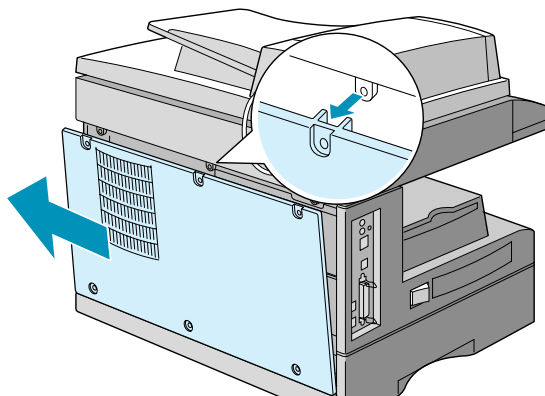


▲ SyncThru CD-ROM and User's Guide

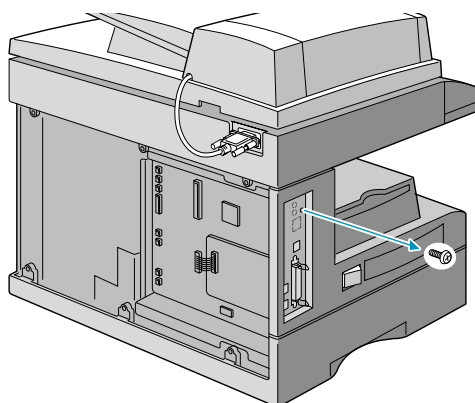
- 2** Turn your machine off and unplug the power cord and all of cables from the machine.
- 3** Remove the six screws from the back of the machine.



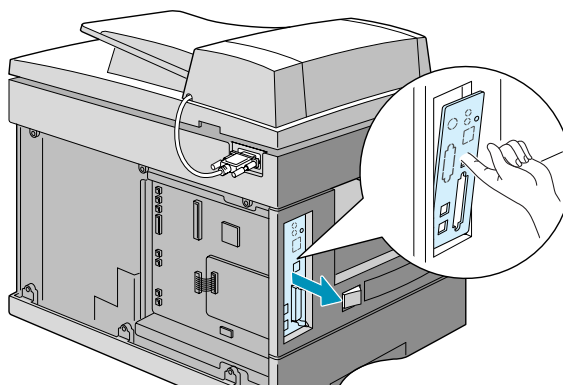
- 4** Pull the control board cover slightly towards you and slide it to the left. Remove the cover from the machine.



- 5** Remove the one screw from the port cover.

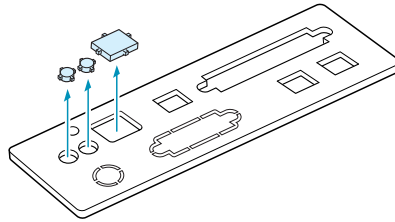


- 6** Remove the port cover by using your finger or a screw driver from the machine.

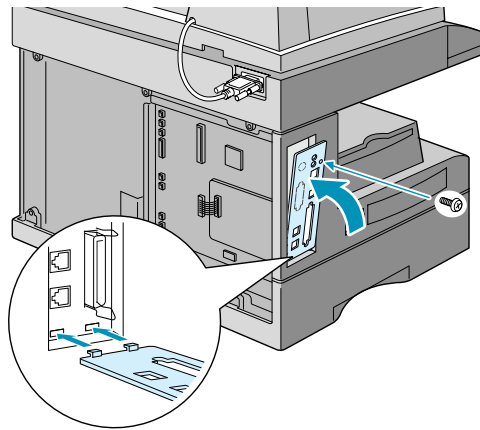


A

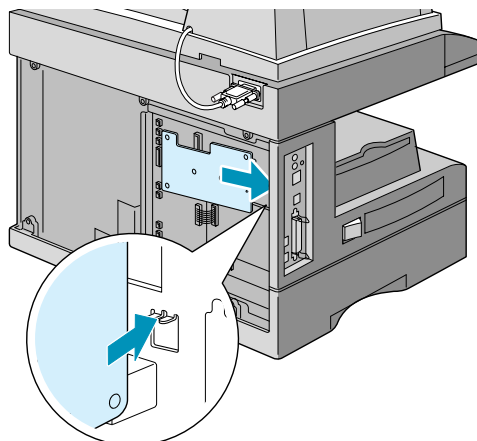
- 7** Remove the plates covering the network port and LED slots from the port cover.



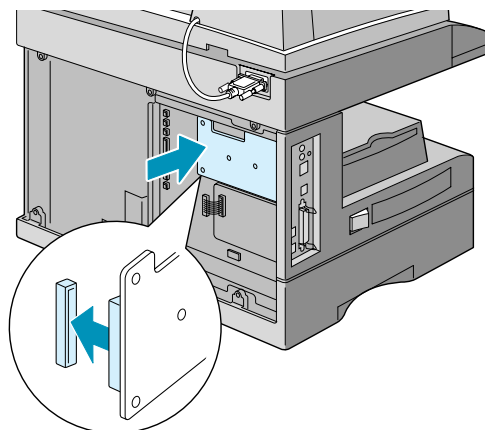
- 8** Insert the two teeth at the bottom of the port cover into the slots on the port panel and replace the cover, as shown. Fasten the screw removed in Step 5 to secure the cover.



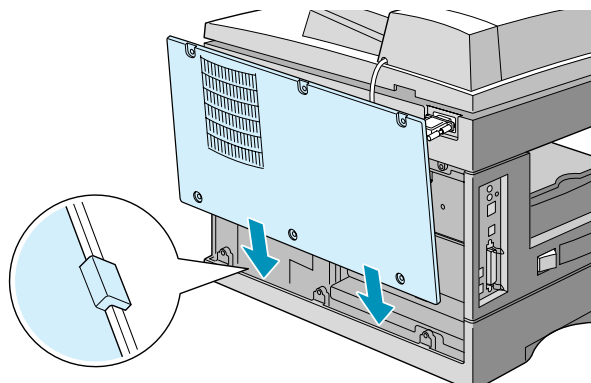
- 9** Insert the network interface card, ensuring that the network cable connector and LEDs on the card align with the port and LED slots.



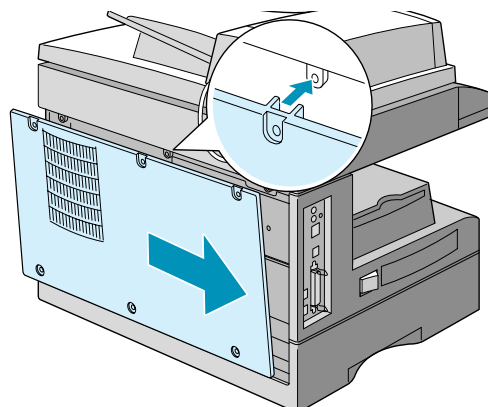
- 10** Align the connector of the network interface card with the network card port on the control board and press the card until it is securely seated on the board.



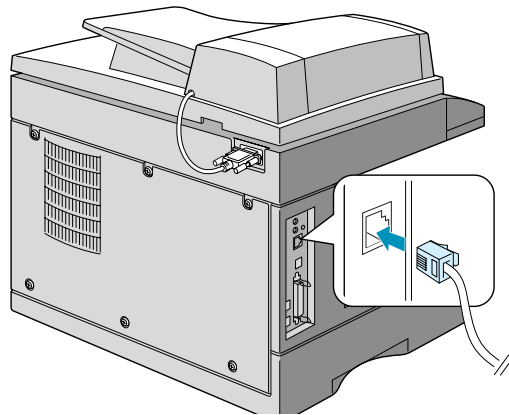
- 11** Insert the teeth at the bottom of the control board cover into the corresponding slots on your machine.



- 12** Slide the cover to the right and align the connectors on top of the cover with those on the machine. Fasten the six screws to secure the cover.



- 13 Plug one end of the 10/100 Base-TX network cable into the network interface connector and the other end into the network connection.



- 14 Plug all of the cables and the power cord you removed in Step 2.
- 15 Turn your machine on.

Configuring Network Parameters

To use your machine as a network printer, you need to set up the desired network protocols on the machine. Setting protocols can be accomplished by using the supplied network programme. Please refer to SyncThru User's Guide.

You can configure the basic network parameters through the control panel of your machine. Use the control panel to do the following:

- Enable or disable network protocols; TCP/IP, IPX/SPX (Netware)
- Configure TCP/IP
- Configure IPX frame types

Supported Operating Systems

Item	Requirements
Network Interface	10/100 Base-TX
Network Operating System	<ul style="list-style-type: none">• Novell NetWare 3.x, 4.x, 5.x• Windows 95/98/Me/XP, NT 4.0/2000• Unix AT&T, BSD4.3, HP-UX, SUN OS, SOLARIS, SCO• Linux RedHat 6.0
Network Protocols	<ul style="list-style-type: none">• Netware IPX/SPX• IPX/SPX, TCP/IP, DLC/LLC on Windows• LPD(LPR), Port9100 on Windows NT, Unix, Linux
Dynamic Addressing Server	<ul style="list-style-type: none">• DHCP, BOOTP

- IPX/SPX: Internet Packet eXchange/Sequenced Packet eXchange
- TCP/IP: Transmission Control Protocol/Internet Protocol
- DLC/LLC: Data Link Control/Logical Link Control
- DHCP: Dynamic Host Configuration Protocol
- BOOTP: Bootstrap Protocol

Printing a Network Configuration Page

The Network Configuration page shows you how the network card installed in your machine is configured. The default setting suitable for most applications have been enabled.

- 1** Press **Menu/Exit** and then press **System Setup** on the one-touch dial keypad. SCX-5115 users should press **Menu** and then **Enter**.
- 2** Press **^** or **v** to display "NETWORK SETUP" on the top line.
- 3** Press **<** or **>** to display "PRINT NET CFG" on the bottom line.
- 4** Press **Mode/Enter** (**Enter** for SCX-5115).

The Network Configuration page prints out.

Configuring TCP/IP

Your printer can be set up on a variety of TCP/IP networks. There are two ways that your printer can be assigned a TCP/IP address, depending on your network:

- **Static Addressing:** TCP/IP address is assigned manually by the system administrator.
- **Dynamic Addressing BOOTP/DHCP (default):** TCP/IP address is assigned automatically by the server.

Static Addressing

To enter the TCP/IP address from your printer's control panel, take the following steps:

- 1** Press **Menu/Exit** and then **System Setup** on the one-touch dial keypad. SCX-5115 users should press **Menu** and then **Enter**.
- 2** Press **^** or **v** to display "NETWORK SETUP" on the top line.
- 3** Press **<** or **>** to display "CONFIG NETWORK" on the bottom line.
- 4** Press **Mode/Enter** (**Enter** for SCX-5115) to access the menu.
The first option, "CONFIGURE TCP" displays on the bottom line.
- 5** Press **Mode/Enter** (**Enter** for SCX-5115) to access the menu.
- 6** Press **<** or **>** until "IP ADDRESS" displays on the bottom line.
- 7** Press **Mode/Enter** (**Enter** for SCX-5115) to access the menu.
- 8** Press **<** or **>** to select IP ADDRESS, SUBNET MASK, or GATEWAY on the bottom line.
- 9** Press **Mode/Enter** (**Enter** for SCX-5115) to set an address.

A TCP/IP address consists of 4 bytes.



Enter a number between 0 and 255 for each byte.

- 10 Enter a number between 0 and 255 for each byte and press **Mode/Enter** (**Enter** for SCX-5115).

You can move between each byte by pressing < or >.

- 11 Repeat steps 6 through 8 to configure the other TCP/IP parameters, such as subnet mask and gateway.

- 12 When you are finished, press **Stop/Clear**.

Dynamic Addressing (BOOTP/DHCP)

To allow the server to automatically assign the TCP/IP address, take the following steps:

- 1 Press **Menu/Exit** and then **System Setup** on the one-touch dial keypad. SCX-5115 users should press **Menu** and then **Enter**.
- 2 Press ^ or v to display "NETWORK SETUP" on the top line.
- 3 Press < or > to display "CONFIG NETWORK" on the bottom line.
- 4 Press **Mode/Enter** (**Enter** for SCX-5115) to access the menu.

The first option, "CONFIGURE TCP" displays on the bottom line.
- 5 Press **Mode/Enter** (**Enter** for SCX-5115) to access the menu.
- 6 Press < or > to select the server to assign the TCP/IP address, DHCP or BOOTP.
- 7 Press **Mode/Enter** (**Enter** for SCX-5115) to save the selection.
- 8 When you are finished, press **Stop/Clear**.

Configuring Netware

On IPX/SPX protocol networks (for example, Novell NetWare), the format of network communication frames must be specified on the printer. In most cases, you can keep the default setting on "AUTO." However, you can manually set the frame type format if required.

- AUTO (default): Automatically senses and limits the frame type to the first one detected.
- IEEE802.3: Limits the frame type to IPX over IEEE 802.3 frames. All others are discarded.
- ETHERNET II: Limits the frame type to IPX over Ethernet Frames. All others are discarded.
- IEEE802.2: Limits the frame type to IPX over IEEE 802.2 with IEEE 802.3 frames. All others are discarded.
- SNAP: Limits the frame type to IPX over SNAP with IEEE 802.3 frames. All others are discarded.

Take the following steps to change the frame type format:

- 1** Press **Menu/Exit** and then **System Setup** on the one-touch dial keypad. SCX-5115 users should press **Menu** and then **Enter**.
- 2** Press **^** or **v** to display "NETWORK SETUP" on the top line.
- 3** Press **<** or **>** to display "CONFIG NETWORK" on the bottom line.
- 4** Press **Mode/Enter** (**Enter** for SCX-5115) to access the menu.
- 5** Press **<** or **>** to display "NETWARE" on the bottom line.
- 6** Press **Mode/Enter** (**Enter** for SCX-5115).
- 7** Press **<** or **>** to select the frame type you want to set and press **Mode/Enter** (**Enter** for SCX-5115).

If you don't want to enable the Netware protocol, select "OFF".
- 8** To return to Standby mode, press **Stop/Clear**.

Restoring the Network Configuration

You can return the network configuration to its default settings.

- 1 Press **Menu/Exit** and then **System Setup** on the one-touch dial keypad. SCX-5115 users should press **Menu** and then **Enter**.
- 2 Press \wedge or \vee to display "NETWORK SETUP" on the top line.
- 3 Press \lt or \gt to display "SET DEFAULT" on the bottom line.
- 4 Press **Mode/Enter** (**Enter** for SCX-5115) to access the menu.
- 5 Press \lt or \gt to select "YES" and press **Mode/Enter** (**Enter** for SCX-5115).
To cancel restoring, select "NO."
- 6 To return to Standby mode, press **Stop/Clear**.

Resetting the Network Interface Card

When your network interface card does not work properly, you need to reboot the card.

- 1 Press **Menu/Exit** and then **System Setup** on the one-touch dial keypad. SCX-5115 users should press **Menu** and then **Enter**.
- 2 Press \wedge or \vee to display "NETWORK SETUP" on the top line.
- 3 Press **Mode/Enter** (**Enter** for SCX-5115) when "RESET NETWORK" displays on the bottom line.
- 4 Press \lt or \gt to select "YES" and press **Mode/Enter** (**Enter** for SCX-5115).
To cancel resetting, select "NO."
- 5 To return to Standby mode, press **Stop/Clear**.

A

Configuring the Samsung Network Printer Port

The supplied network programme installation CD-ROM contains Samsung Network Printer Port for using Windows networks. You can install the port with the network administration programme.

Before installing the Samsung Network Printer port, you need to install the MFP driver on your system if it is not already installed. See page 2.4.

Installing Samsung Network Printer Port

- 1 Insert the installation CD supplied with your network interface card into the CD-ROM drive.
- 2 The language selection window automatically opens. Select a language.

If the SyncThru setup does not start automatically, if the opening window does not appear, click **Start**, and then **Run**. Type **X:Autorun.exe**, replacing "X" with the letter of your drive, and click **OK**.

- 3 Click **SyncThru**.
- 4 Click **Install Samsung Software on your PC**.
- 5 In the Welcome window, click **Next**.
- 6 The Chooser Destination Location window appears. You may select the program folder. Or click **Next** to install it in the default folder.
- 7 When the Setup Type window appears, select **Compact** and click **Next**.
- 8 When the installation is complete, click **Finish**.

Selecting the Samsung Network Printer Port

To print to the Samsung Network Printer port, you need to select it in the printer driver.

- 1 From the Windows **Start** menu, selecting **Settings** and then **Printer** to open the Printer folder.

In Windows XP, select **Start** and then **Printers and Faxes**.

- 2 Right-click on the **Samsung SCX-5x15 Series PCL 6** printer icon and select **Properties** from the pop-up menu.

- 3 In Windows 95/98/Me, click the **Details** tab.

In Windows NT4.0/2000/XP, click the **Ports** tab.

- 4 Click **Add Port**.

- 5 In Windows 95/98/Me, click **Other**, and select **Samsung Network Printer Port**. Click **OK**.

In Windows NT4.0/2000/XP, select **Samsung Network Printer Port** and click **New Port**.

- 6 The Network Printer Port Wizard window appears. Select the method for detecting the network interface card of your machine and enter the associated address, if necessary. Click **Next**.

You can find a print server by entering the printer's IP address, MAC address, or IPX/SPX address. To search through all of the interface cards connected to the network, select **Auto Detection on the network**.

- 7 If you selected **Auto Detection on the network**, the system detects all of the print servers and displays a list. Select your printer you want to use then click **Next**.

- 8 Type a port name to identify the new printer and click **Finish**.

- 9 The selected port displays on the print port list. Click **OK** or **Close**.

- 10 You are finished. To send a job to the network printer, select the printer from the application programme.

MEMO



A.14 INSTALLING A NETWORK OPTION



SPECIFICATIONS

This chapter includes:

- **General Specifications**
- **Scanner and Copy Specifications**
- **Printer Specifications**
- **Facsimile Specifications** (*SCX-5315F only*)

General Specifications

Item	Description
Printing method	Laser scanning unit
Scanning method	Sheet-fed and Flat-bed CCD(charge coupled device) module
Effective scanning width	8.2 inches (208 mm)
ADF Document size	Width 6.9 to 8.5 inches (174 to 216 mm)
	Length Single page: 5 to 59 inches (128 to 1500 mm) Multi pages: 5 to 14 inches (128 to 356 mm)
Recording paper type	for Tray : Letter, A4, Legal (weight: 60~90 g/m ² , 16 ~ 24 lb)
	for Multi-Purpose Tray: Letter, Legal, JIS B5, A4, Executive, A5, A6 card, Post Card 4x6, HagaKi, Envelope 7-3/4, Envelope COM-10, Envelope DL, Envelope C5 * Min.: 3.9 x 5.8 inches (98 x 148 mm), (weight: 60~120 g/m ² , 16 ~ 32 lb)
Recording paper capacity	for Tray : 550 sheets (weight: 75 g/m ² , 20 lb) for Multi-Purpose Tray: 100 sheets (weight: 75 g/m ² , 20 lb)
Automatic document feeder	Up to 30 pages (20 lb or 75 g/m ²)
Consumables	2-piece Toner/Drum cartridge system
Compatibility	Win 95, 98, 2000, NT 4.0, Win Me, Win XP
PC Interface	IEEE 1284 Parallel, USB, Optional Network
Power requirements	100 ~ 127 VAC, 50/60 Hz, 5A 220 ~ 240 VAC, 50/60 Hz, 2.5A
Power consumption	Sleep mode: 35 W Standby mode: 90 W Average: 350 W
Operating conditions	Temperature: 50 °F to 89 °F (10 °C to 32 °C) Humidity: 20% to 80% RH

Item	Description
LCD	16 Characters x 2 lines
Toner cartridge life	6,000 pages @ IDC 5% coverage
Drum cartridge life	15,000 pages @ IDC 5% coverage
SET Dimension (WxDxH)	22.0 x 17.0 x 18.1 inches (560 x 433 x 459 mm)
Weight	Net: 22.5 Kg (including consumables) Gross: 26.5 Kg (including consumables, accessories and package)
Package Weight	Paper: 2.7 Kg Plastic: 0.7 Kg

Scanner and Copy Specifications

Item	Description
Compatibility	TWAIN standard
Resolution	Optical 600 dpi resolution (Mono and Color)
Color bit depth	Internal: 32 bit External: 24 bit
Mono bit depth	1 bit for text mode 8 bit for Gray mode
Copy speed	15 copies per minute
Copy resolution	1,200 dpi enhanced
Zoom Rate	by platen 25 ~ 400 % by ADF 25 ~ 100 %

B

Printer Specifications

Item	Description
Printing method	Laser Scanning Unit + Electro Photographic
Printing speed	15 pages per minute/A4
Print resolution	1200 dpi class
Emulation language	PCL 6

Facsimile Specifications

(SCX-5315F only)

Item	Description
Printing method	Laser Scanning Unit
Compatibility	ITU-T Group 3, ECM
Applicable line	Public Switched Telephone Network(PSTN) or behind PABX
Data coding	MH/MR/MMR (ECM Mode) and JPEG for color fax transmission
Modem speed	33600/28800/21600/19200/14400/12000/9600/7200/4800/2400 bps with fall back
Transmission speed	Approx. 3 seconds/page * Transmission time applies to memory transmission of text data with ECM compression using only ITU-T No.1 Chart.
Scanning speed	Platen: approx. 3 seconds/letter (at standard fax resolution mode) ADF: approx. 5 seconds/letter (at standard fax resolution mode)
Resolution	Standard(203x98 dpi), Fine(203x196 dpi), Superfine(300x300 dpi), Photo(203x196 dpi/300x300 dpi), Color(203x196 dpi)

Item	Description
User Memory	4 MB (320 pages)
Halftone	256 levels
Auto dialer	One-touch dialling (registration for 40 numbers) Speed dialling (registration for 80 numbers)



INDEX

A

ADF load 4.3

B

booklet print 5.8

C

cartridge locking lever 1.16

clone

in copy mode 4.10

in print mode 5.7

collation for copying 4.12

consumables 7.11

contrast

for copying 4.7

copy size 4.8

D

default printer 5.2

display language 1.20

document

jam, clear 8.2

load in ADF 4.3

load on document glass 4.4

document glass

clean 7.2

load 4.4

drum

clean 7.8

install 1.14

replace 7.8

E

error 8.11

extension phone, connect 1.12

F

fit to page print

in copy mode 4.9

in print mode 5.8

J

jam, clear

document 8.2

paper 8.4

L

Loading Paper in the Tray 3.1

M

MFP driver

install 2.4

uninstall 2.8

N

network interface card

configure A.6

install A.2

network printer, setup

locally shared 5.12

network-connected A.6

P

paper jame, clear 8.4

paper load

in Multi-Purpose tray 3.6

in Tray 1.17

paper load capacity 3.2

paper save 1.21

paper size, set

in Multi-Purpose tray 3.9

- in print mode 5.5
- paper source
 - in copy mode 4.2
 - in print mode 5.5
- paper type 3.2
- parallel, connect 1.13
- poster print 5.9
- power save 1.22
- printer driver
 - install 2.4
 - uninstall 2.8
- printer driver window 5.3

R

- resolution, print 5.6

S

- scan driver
 - install 2.4
 - uninstall 2.8
- scanner lock 1.2
- SmarThru
 - install 2.4
 - uninstall 2.10
- software
 - install 2.4
 - uninstall 2.12

T

- tel line, connect 1.11
- toner cartridge
 - install 1.14
 - life 7.3
 - replace 7.5
- toner save 1.21
- two-sided print
 - in copy mode 4.11
 - in print mode 5.10

U

- USB, connect 1.13
- Using the Multi-Purpose Tray 3.1

W

- watermark, print 5.11

Free Manuals Download Website

<http://myh66.com>

<http://usermanuals.us>

<http://www.somanuals.com>

<http://www.4manuals.cc>

<http://www.manual-lib.com>

<http://www.404manual.com>

<http://www.luxmanual.com>

<http://aubethermostatmanual.com>

Golf course search by state

<http://golfingnear.com>

Email search by domain

<http://emailbydomain.com>

Auto manuals search

<http://auto.somanuals.com>

TV manuals search

<http://tv.somanuals.com>