



Maximized productivity
brings minimized cost



Samsung Monochrome Laser Copier MFPs
MultiXpress 6555N / 6545N



Why Samsung?

Despite the many copiers and multifunction printers in the market, there are very good reasons for choosing Samsung. Samsung is a world-renowned global company that regularly wins awards for reliability, design and innovative technology. Samsung has a wide range of technologies and products, making it an expert in digital media convergence across applications, devices and networks. In the printing industry, Samsung is the fastest growing company, toping competitor sales for many models in its class.

Samsung has earned its reputation with award-winning excellence in performance, eco-friendliness and design innovation, and by providing businesses with leading network and security solutions. Samsung products are reliable and deliver a high monthly duty cycle, maximizing uptime and keeping business productivity high. Samsung printers are also designed for high toner yield, producing more high-quality, fade-resistant and long-lasting prints per cartridge.

And that's not all. Samsung has repeatedly received global recognition and certification for being environmentally responsible, in terms of production, post-consumer recycling and for helping to create pollution-free work environments.

Brand Equity

RANK	COMPANY
1	Coca-Cola
2	IBM
3	Microsoft
5	NOKIA
21	SAMSUNG
⋮	
25	SONY
36	Canon
56	xerox
88	STARBUCKS

Unit : US\$ billion.
Source : Business Week / Interbrand

Most Innovative Company

RANK	COMPANY
1	Apple
2	Google
3	TOYOTA
4	GE
5	Microsoft
8	P&G
9	SONY
12	IBM
⋮	
22	3M
26	SAMSUNG

Source : Business Week April, 2008

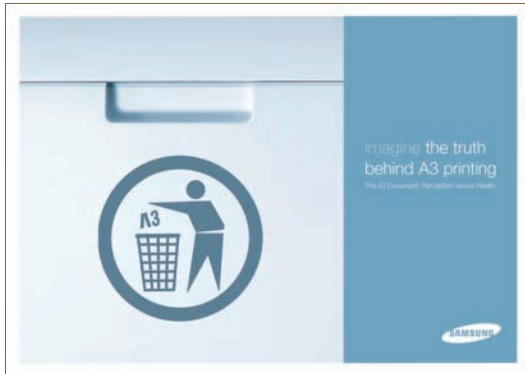


The World's Most Admired Company

2006/2005	SCORE
1 1	General Electric 8.24
2 2	Siemens 7.19
3 11	Matsushita Electric Indl. 7.03
4 3	Samsung Electronics 6.79
5 4	Royal Philips Electronics 6.63
6 5	Sony 6.49
7 10	Hitachi 6.33



Why You Won't Need an A3 Copier?



Research* shows that the average office worker will only print 202 pages on A3 per annum – that's only 2.36% of their total printouts. This puts into question why most businesses believe they need an A3 MFP. Samsung's sophisticated scanning and printing function enables users to scale the document to fit the paper size available on the printer. This greatly reduces the need for A3 printouts, whilst at the same time allows the businesses to enjoy half the paper costs involved.

* Source : UK Research Dec 2007

Why **MultiXpress**?

The **MultiXpress** series is Samsung's innovative new copier MFP lineup, which is raising the bar for business imaging standards everywhere.

It outperforms competitors' MFPs with a wealth of advanced features included as standard and a well-earned reputation for total reliability. The **MultiXpress** series will merge seamlessly with your existing business infrastructure via its integrated administrative and accounting solutions. With its unparalleled machine life, high quality black & white and colour output, and truly innovative features, it's no wonder the **MultiXpress** series outshines everything in its class!





Samsung **MultiXpress** 6555N / 6545N

imagine expanded productivity

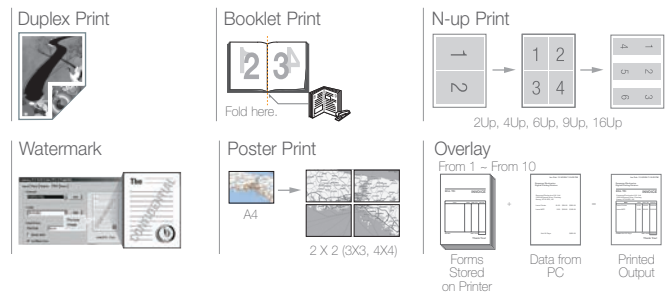
Imagine a high-speed, high-end A4 DMFP that could centralize your printing workflow.

MultiXpress 6555N / 6545N delivers fast printouts, but with full multifunction features like duplex and copying. And it features Samsung's document management solutions like SmarThru and SyncThru. With this digital solution at the centre of your business, you can eliminate your A3 DMFP and maximize your productivity. With Samsung **MultiXpress** 6555N / 6545N, it's not that hard to imagine.



• Fast Print

Printing black-and-white document at 53 ppm(6555N, simplex) & 43 ppm(6545N, simplex) and 48ppm(6555N, duplex) & 38ppm (6545N, duplex) your workloads can be completed efficiently. The numerous standard printing features help you to print document more easily and efficiently



• Vivid Colour Scan & Network Scan

The **MultiXpress** 6555N / 6545N 's enhanced scanning resolution (4,800 x 4,800 dpi) and colour CCD method reproduce your document at its finest quality.

• Fast Fax (Option)

The optional fax kit offers speed dial up to 200 numbers, group dial up to 100 groups (up to 200 locations per group), duplex send and receive, fax-email and many other useful features. The duplex function enable the incoming fax be printed double-sided – save your printing cost!

The most productive A4 DMFP

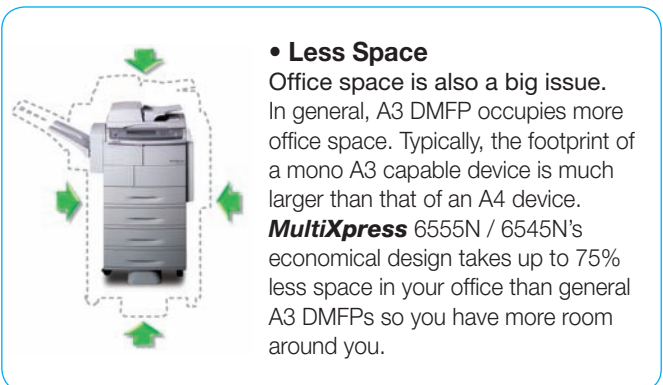
• Fast Copy

The **MultiXpress** 6555N / 6545N produces 53ppm(6555N) & 43ppm(6545N) in black and white. Moreover, the **MultiXpress** 6555N / 6545N performs nearly all the copy functions that are generally operated on A3 DMFP.



• Less Space

Office space is also a big issue. In general, A3 DMFP occupies more office space. Typically, the footprint of a mono A3 capable device is much larger than that of an A4 device. **MultiXpress** 6555N / 6545N's economical design takes up to 75% less space in your office than general A3 DMFPs so you have more room around you.





The Most Reliable Multifunction Center Maintains efficiency with Xpress reliability

Reliability is the word to describe **MultiXpress** 6555N / 6545N. It offers all functions that business expect from a DMFP - the fastest printing, digital copy, scan and fax - at the same time increase business productivity with reliable performance, quality output and simple maintenance.

Reliable printers

We'll take the hassle away.

Samsung's leading edge printing technology will let you focus on your work whilst it delivers your documents time and time again. All of the printers within the **MultiXpress** series provide unparalleled reliability with high monthly duty cycles (see table below). This is because Samsung has designed the machines to be less service dependent, providing fewer down time periods within its life-cycle along with less paper jams or mis-feeds.

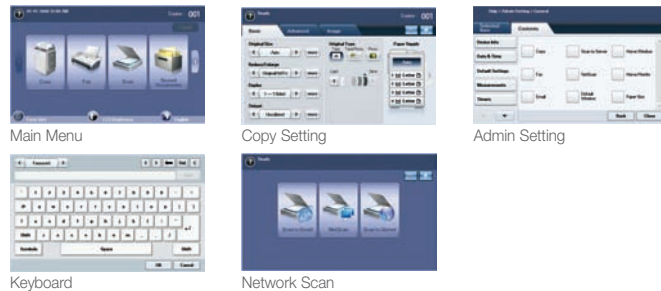
In fact, we are confident that the only time you will open up your printer is to change the cartridge rather than to fix a paper jam.

Model	Recommended Max Monthly Duty Cycle
6555N	20,000 prints
6545N	10,000 prints

Easy to Use

• Wide Touch Screen/UI Design

Samsung's exclusive 800 x 480 Colour wide LCD touch screen and intuitive UI design is very ergonomic and easy to use – no manual or training required!



• Convenient Installation



• Paper Handling

Adding optional paper trays to store up to 3,240 sheets of paper at one time, reduce the frequency to refill paper.

• Modular system

The modular design make it easy to replace consumables, adding accessory and/or upgrade package. For example, finisher or memory can be easily slotted onto the main device.

• Paper Jam

If and when a paper jam occurs the device indicates the problem area on the user display so you can simply, open the tray door to remove.





The Professional Solution Center Offers control with Xpress Customization

Powerful solution provides business professionalism to gain that winning edge. Samsung's **MultiXpress** provides high-speed printing and copying with customizable control to increase productivity and maintain economical running cost.

Extremely Versatile

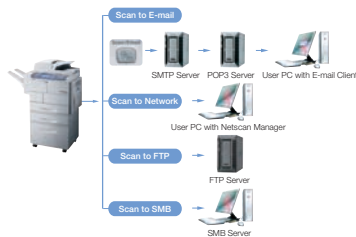
• Expanded Printing

- Capabilities with Hard Disk Solution
- : The standard 80GB HDD ensures smooth print traffic in a busy office and print environment.

Collate Printing	Proof Printing	Delayed Printing	Confidential Printing	Store Job

• Scan to Anywhere

The **MultiXpress** 6555N helps to distribute document efficiently by scanning directly to email, FTP, SMB or client.



• Document Box

Store scanned data into HDD and manage the stored data (Printing/Sending)

• SyncThru™ Admin 5

SyncThru™ Web Admin service allows IT managers to easily manage and monitor all printers/MFPs on the network. The powerful feature permits job accounting, usage metering, authentication, storage management, remote driver installation and modification settings.

Fleet Management for Multiple Network Printers	Device Discovery	E-mail Notification	Modify Admin Settings	Report Generation Supported by Plug-In

• SyncThru™ Web Service

It provides administrators with the ability to change network and individual Printer settings, upgrade firmware and view network printer/MFP status.

Remote Configuration and Monitoring of Network Printer	Use Popular Web Browser without Installing Extra Software	Modification Enabled by Authorized User (Password Protection)	Print Out Configuration Sheet of Network Printer	Firmware Upgrade of Printer and Network Card

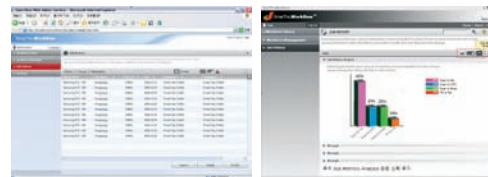
• SmarThru™ Office

In offices with complicated network with a variety of equipment, SmarThru's document management and editing features provide convenience and ease for users. Network scan is also provided as default.

Edit Binding	Store Search	Fax e-mail network	OCR	Application

• SmarThru™ Workflow (Option)

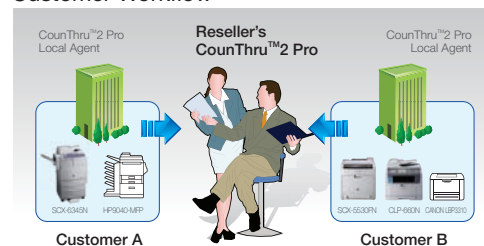
SmarThru™ Workflow streamlines the document capture-processroute system enabling easy document management. This additional software is provided with the Samsung Network Scan Kit.



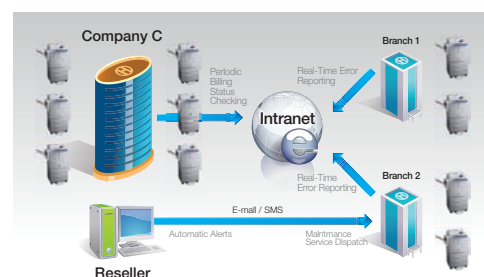
• CounThru™ 2 Pro/Enterprise

CounThru™ is a server solution for Managed Print Service from Samsung that offers total visibility of your networked devices, enabling you to remotely monitor and manage print / fax / scan / copy device usage, virtually anywhere. It is also a complete tracking tool for accurate usage and billing information, allowing you to bill your customers accurately for their printing usage. CounThru™ 2 supports a wide variety of Samsung and non-Samsung network printers and MFPs, so you can use just one single tool to track them all. It makes your MPS business easier than ever and you will set up the right MPS program from the beginning. CounThru™ provides 2 types of solutions, CounThru™ 2 Pro for reseller or dealership and CounThru™ 2 Enterprise for end customers.

Customer Workflow



CounThru™ 2 Pro is a solution for reseller, supports local hosting service. Customer's print data is present in reseller's database. Therefore, end-customer can reduce server management costs and reseller can provide hosting service for multiple customers.



CounThru™ 2 Ent is a solution for end-customer. All print databases is present in customer's site, so customer's information can be managed tightly.






Configuration



Main Unit (520 sheets + MP 100 sheets)

+

Option	<p>1 Finisher + 1 SCF (Single Cassette Feeder) 520 sheets + HCF (High Capacity Feeder) 2.100 sheets</p> 	<p>1 Finisher + Max. 3 SCF (Single Cassette Feeder) 520 sheets x 3 + Short Stand</p> 	<p>1 Finisher + 1 SCF (Single Cassette Feeder) 520 sheets + Tall Stand</p> 
--------	---	---	--



4-Bin Mailbox (MBT-40S)



2-Bin Finisher (SCX-FIN20S)

You can collate your printed document. In addition, it can able to pick up a stapled documents up to 50 pages. Capacity of staple cartridge is 5,000.

500 Sheet Stacking, 1 position Stapling Unit with Offset Catching



Specifications

MultiXpress 6555N / 6545N

Print	MultiXpress 6555N	MultiXpress 6545N
Speed *	Simplex : Up to 53 ppm in A4 (55 ppm in Letter) / Duplex : Up to 48 ppm in A4 (50 ppm in Letter)	Simplex : Up to 43 ppm in A4 (45 ppm in Letter) / Duplex : Up to 38 ppm in A4 (40 ppm in Letter)
Resolution	1,200 x 1,200 dpi effective output	
First Print Out Time	Less than 8 seconds (From Ready mode)	
Emulation	PCL5e, PCL6, PostScript 3, TIFF, JPG, PDF v1.4	
Duplex Print	Standard	
Copy		
Speed **	Up to 53 cpm in A4 (55 cpm in Letter)	Up to 43 cpm in A4 (45 cpm in Letter)
Resolution	600 x 600 dpi	
First Copy Out Time	Less than 5 seconds	
Zoom Rate	25 ~ 400% (platen), 25 ~ 200% (ADF)	
Multiple Copy	1 ~ 999 pages	
Duplex Copy	Built-in	
Copy Features	ID Copy, Clone Copy, N-up Copy, Poster Copy, Booklet	
Scan		
Compatibility	Twain standard, WIA standard	
Method	Colour Flatbed Scanner or DADF	
Resolution(Optical)	600 x 600 dpi	
Resolution(Enhanced)	4,800 x 4,800 dpi	
Scan to	HDD, USB, Email, Client, SMB, FTP	
FAX		
Compatibility	ITU-T G3	
Modem Speed	33.6 Kbps	
Resolution	Mono : 300 x 300 dpi / Colour : 200 x 200 dpi	
Memory	HDD Store	
Auto Dial	Speed dial : 200 Locations	
Fax Feature	On hook Dial, Auto Redial, Last Number Redial, Mail Box, Auto Reduction, Multi-send, Delayed Send, Fax forwarding (HDD / Email / Fax)	
Paper Handling		
Input Capacity and Types	520-sheet Cassette, 100-sheet Multi-Purpose Tray	
Output Capacity and Types	Up to 500-sheet Face Down	
Media Size	Min: 98.0 mm x 148 mm (3.86"x5.83") ~ 216 x 356 mm (8.5" x 14")	
Media type	Plain, Thin, Envelopes, Labels, Card Stock, Bond, Archive, Punched, Pre-Printed, Recycled, Transparency, Letterhead, Thick, Coloured	
ADF Capacity	100-sheet DADF	
ADF Document Size	Width : 145 ~ 216mm (5.7"~8.5") / Length : 145 ~ 356mm (5.7" ~ 14.0") for Single page scan 145 ~ 400mm (5.7" ~ 15.7") for Multi pages scan	
General		
LCD	800 x 480 7" WVGA Colour Touch-Screen LCD	
Memory / Storage	256MB (Max. 512MB) / 80GB HDD	
OS Compatibility	Windows 7 / 2000 / XP (32/64bit) / 2003 Server (32/64bit) / Vista, Various Linux OS including Red Hat 8~9, Fedora Core 1~4, Mandrake 9.2~10.1 and SuSE 8.2~9.2 Mac OS 10.3~10.5, Windows Terminal Services	
Interface	Hi-Speed USB 2.0, Ethernet 10/100/1000 base TX, USB host 2.0 (Scan to USB, USB print)	
Noise Level	Less than 55 dBA (Printing) / Less than 57 dBA (Copying) / Less than 37 dBA (Standby)	
Duty Cycle, monthly	Up to 20,000 pages	Up to 10,000 pages
Dimension (W x D x H)	641 x 494 x 607 mm (25.2" x 19.4" x 23.9")	
Warranty	48.2Kg (106.3lb)	

Supplies and Options

Consumables	MultiXpress 6555N	MultiXpress 6545N
Yield ***	Toner : Average Cartridge Yield 25,000 standard pages. *** * Declared yield value in accordance with ISO/IEC 19752 Drum : 80,000 Pages	
Type	2-piece Cartridge	
Model Code	SCX-D6555A, SCX-R6555A	
Options		
Options	256MB Memory : ML-MEM160 / Optional Cassette Feeder (x3) : SCX-S6555A / High Capacity Feeder : SCX-HCF100 / Fax Kit : SCX-FAX210 / Finisher : SCX-FIN11S / Staple Cartridge : SCX-STP000 / Stand Short Type : SCX-DSK10S / Stand Tall Type : SCX-DSK10T / FDI Kit : SCX-KIT20F / SmarThru Workflow V1.0 : SCX-KIT11S / Enabler : SCX-KIT10J	

* Print speed will be affected by Operating system used, computing performance, application software, connecting method, media type, media size and job complexity.
 ** Copy Speed is based on Single Document Multiple Copy.
 *** Declared continuous cartridge yield value in accordance with ISO/IEC 19798.
 Specifications are subject to change without notification.

2009. 3

Distributed by

Printing solutions as easy as



Free Manuals Download Website

<http://myh66.com>

<http://usermanuals.us>

<http://www.somanuals.com>

<http://www.4manuals.cc>

<http://www.manual-lib.com>

<http://www.404manual.com>

<http://www.luxmanual.com>

<http://aubethermostatmanual.com>

Golf course search by state

<http://golfingnear.com>

Email search by domain

<http://emailbydomain.com>

Auto manuals search

<http://auto.somanuals.com>

TV manuals search

<http://tv.somanuals.com>