

**SAMSUNG**

# COLOR TELEVISION RECEIVER

Chassis : KS3A(P)\_50Hz(REV. 4)

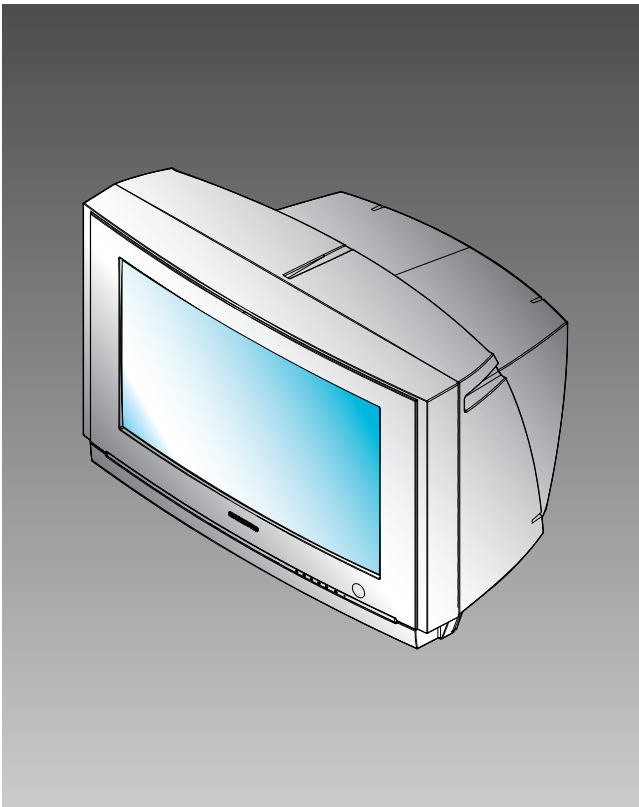
Model : WS28V53NS8XXEC

WS28V55VS8XXEC

WS32V56VS8XXEC

# **SERVICE** *Manual*

## COLOR TELEVISION RECEIVER



## CONTENTS

1. Precautions
2. Reference Information
3. Specifications
4. Alignment and Adjustments
5. Troubleshooting
6. Exploded Views and Parts List
7. Electrical Parts List
8. Block Diagrams
9. Wiring Diagram
10. Schematic Diagrams

## 1. Precautions

Follow these safety, servicing and ESD precautions to prevent damage and protect against potential hazards such as electrical shock and X-rays.

### 1-1 Safety Precautions

1. Be sure that all of the built-in protective devices are replaced. Restore any missing protective shields.
2. When reinstalling the chassis and its assemblies, be sure to restore all protective devices, including: nonmetallic control knobs and compartment covers.
3. Make sure that there are no cabinet openings through which people—particularly children—might insert fingers and contact dangerous voltages. Such openings include the spacing between the picture tube and the cabinet mask, excessively wide cabinet ventilation slots, and improperly fitted back covers.

If the measured resistance is less than 1.0 megohm or greater than 5.2 megohms, an abnormality exists that must be corrected before the unit is returned to the customer.

4. **Leakage Current Hot Check (Figure 1-1):**  
Warning: Do not use an isolation transformer during this test. Use a leakage-current tester or a metering system that complies with American National Standards Institute (ANIS C101.1, Leakage Current for Appliances), and Underwriters Laboratories (UL Publication UL1410, 59.7).
5. With the unit completely reassembled, plug the AC line cord directly into the power outlet. With the unit's AC switch first in the ON position and then OFF, measure the current between a known earth ground (metal water pipe, conduit, etc.) and all exposed metal parts, including: antennas, handle brackets, metal cabinets, screwheads and control shafts. The current measured should not exceed 0.5 milliamp. Reverse the power-plug prongs in the AC outlet and repeat the test.

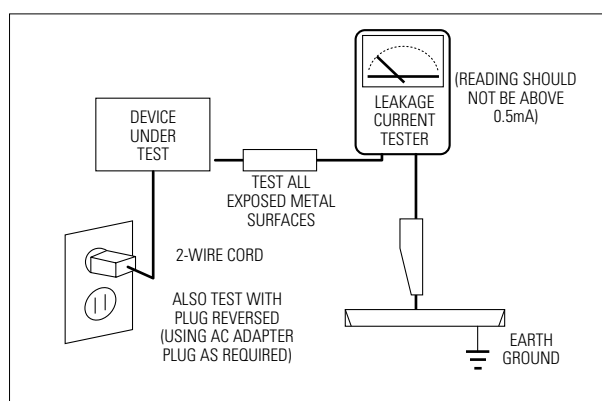


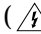
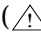
Fig. 1-1 AC Leakage Test

6. **Antenna Cold Check:**  
With the unit's AC plug disconnected from the AC source, connect an electrical jumper across the two AC prongs. Connect one lead of the ohmmeter to an AC prong. Connect the other lead to the coaxial connector.
7. **X-ray Limits:**  
The picture tube is especially designed to prohibit X-ray emissions. To ensure continued X-ray protection, replace the picture tube only with one that is the same type as the original. Carefully reinstall the picture tube shields and mounting hardware; these also provide X-ray protection.
8. **High Voltage Limits:**  
High voltage must be measured each time servicing is done on the B+, horizontal deflection or high voltage circuits. Correct operation of the X-ray protection circuits must be reconfirmed whenever they are serviced.  
(X-ray protection circuits also may be called "horizontal disable" or "hold-down".)

Heed the high voltage limits. These include the X-ray Protection Specifications Label, and the Product Safety and X-ray Warning Note on the service data schematic.

## 1-1 Safety Precautions (Continued)

---

9. High voltage is maintained within specified limits by close-tolerance, safety-related components and adjustments. If the high voltage exceeds the specified limits, check each of the special components.
10. Design Alteration Warning:  
Never alter or add to the mechanical or electrical design of this unit. Example: Do not add auxiliary audio or video connectors. Such alterations might create a safety hazard. Also, any design changes or additions will void the manufacturer's warranty.
11. Hot Chassis Warning:  
Some TV receiver chassis are electrically connected directly to one conductor of the AC power cord. If an isolation transformer is not used, these units may be safely serviced only if the AC power plug is inserted so that the chassis is connected to the ground side of the AC source.  
  
To confirm that the AC power plug is inserted correctly, do the following: Using an AC voltmeter, measure the voltage between the chassis and a known earth ground. If the reading is greater than 1.0V, remove the AC power plug, reverse its polarity and reinsert. Re-measure the voltage between the chassis and ground.
12. Some TV chassis are designed to operate with 85 volts AC between chassis and ground, regardless of the AC plug polarity. These units can be safely serviced only if an isolation transformer inserted between the receiver and the power source.
13. Some TV chassis have a secondary ground system in addition to the main chassis ground. This secondary ground system is not isolated from the AC power line. The two ground systems are electrically separated by insulating material that must not be defeated or altered.
14. Components, parts and wiring that appear to have overheated or that are otherwise damaged should be replaced with parts that meet the original specifications. Always determine the cause of damage or overheating, and correct any potential hazards.
15. Observe the original lead dress, especially near the following areas: Antenna wiring, sharp edges, and especially the AC and high voltage power supplies. Always inspect for pinched, out-of-place, or frayed wiring. Do not change the spacing between components and the printed circuit board. Check the AC power cord for damage. Make sure that leads and components do not touch thermally hot parts.
16. Picture Tube Implosion Warning:  
The picture tube in this receiver employs "integral implosion" protection. To ensure continued implosion protection, make sure that the replacement picture tube is the same as the original.
17. Do not remove, install or handle the picture tube without first putting on shatterproof goggles equipped with side shields. Never handle the picture tube by its neck. Some "in-line" picture tubes are equipped with a permanently attached deflection yoke; do not try to remove such "permanently attached" yokes from the picture tube.
18. Product Safety Notice:  
Some electrical and mechanical parts have special safety-related characteristics which might not be obvious from visual inspection. These safety features and the protection they give might be lost if the replacement component differs from the original—even if the replacement is rated for higher voltage, wattage, etc.  
  
Components that are critical for safety are indicated in the circuit diagram by shading, () or (). Use replacement components that have the same ratings, especially for flame resistance and dielectric strength specifications. A replacement part that does not have the same safety characteristics as the original might create shock, fire or other hazards.

## 1-2 Servicing Precautions

---

Warning1: First read the "Safety Precautions" section of this manual. If some unforeseen circumstance creates a conflict between the servicing and safety precautions, always follow the safety precautions.

Warning2: An electrolytic capacitor installed with the wrong polarity might explode.

1. Servicing precautions are printed on the cabinet. Follow them.
2. Always unplug the unit's AC power cord from the AC power source before attempting to:  
(a) Remove or reinstall any component or assembly, (b) Disconnect an electrical plug or connector, (c) Connect a test component in parallel with an electrolytic capacitor.
3. Some components are raised above the printed circuit board for safety. An insulation tube or tape is sometimes used. The internal wiring is sometimes clamped to prevent contact with thermally hot components. Reinstall all such elements to their original position.
4. After servicing, always check that the screws, components and wiring have been correctly reinstalled. Make sure that the portion around the serviced part has not been damaged.
5. Check the insulation between the blades of the AC plug and accessible conductive parts (examples: metal panels, input terminals and earphone jacks).
6. Insulation Checking Procedure: Disconnect the power cord from the AC source and turn the power switch ON. Connect an insulation resistance meter (500V) to the blades of the AC plug.  
  
The insulation resistance between each blade of the AC plug and accessible conductive parts (see above) should be greater than 1 megohm.
7. Never defeat any of the B+ voltage interlocks. Do not apply AC power to the unit (or any of its assemblies) unless all solid-state heat sinks are correctly installed.
8. Always connect a test instrument's ground lead to the instrument chassis ground before connecting the positive lead; always remove the instrument's ground lead last.

### 1-3 Precautions for Electrostatically Sensitive Devices (ESDs)

---

1. Some semiconductor (“solid state”) devices are easily damaged by static electricity. Such components are called Electrostatically Sensitive Devices (ESDs); examples include integrated circuits and some field-effect transistors. The following techniques will reduce the occurrence of component damage caused by static electricity.
2. Immediately before handling any semiconductor components or assemblies, drain the electrostatic charge from your body by touching a known earth ground. Alternatively, wear a discharging wrist-strap device. (Be sure to remove it prior to applying power—this is an electric shock precaution.)
3. After removing an ESD-equipped assembly, place it on a conductive surface such as aluminum foil to prevent accumulation of electrostatic charge.
4. Do not use freon-propelled chemicals. These can generate electrical charges that damage ESDs.
5. Use only a grounded-tip soldering iron when soldering or unsoldering ESDs.
6. Use only an anti-static solder removal device. Many solder removal devices are not rated as “anti-static”; these can accumulate sufficient electrical charge to damage ESDs.
7. Do not remove a replacement ESD from its protective package until you are ready to install it. Most replacement ESDs are packaged with leads that are electrically shorted together by conductive foam, aluminum foil or other conductive materials.
8. Immediately before removing the protective material from the leads of a replacement ESD, touch the protective material to the chassis or circuit assembly into which the device will be installed.
9. Minimize body motions when handling unpackaged replacement ESDs. Motions such as brushing clothes together, or lifting a foot from a carpeted floor can generate enough static electricity to damage an ESD.

## 2. Reference Information

### 2-1 Tables of Abbreviations and Acronyms

**Table 2-1 Abbreviations**

A	Ampere	MV	Megavolt
Ah	Ampere-hour	MW	Megawatt
Å	Angstrom	MΩ	Megohm
dB	Decibel	m	Meter
dBm	Decibel Referenced to One Milliwatt	μA	Microampere
°C	Degree Celsius	μF	Microfarad
°F	Degree Fahrenheit	μH	Microhenry
°K	degree Kelvin	μm	Micrometer
F	Farad	μs	Microsecond
G	Gauss	μW	Microwatt
GHz	Gigahertz	mA	Milliampere
g	Gram	mg	Milligram
H	Henry	mH	Millihenry
Hz	Hertz	ml	Milliliter
h	Hour	mm	Millimeter
ips	Inches Per Second	ms	Millisecond
kWh	Kilowatt-hour	mV	Millivolt
kg	Kilogram	nF	Nanofarad
kHz	Kilohertz	Ω	Ohm
kΩ	Kilohm	pF	Picofarad
km	Kilometer	lb	Pound
km/h	Kilometer Per Hour	rpm	Revolutions Per Minute
kV	Kilovolt	rps	Revolutions Per Second
kVA	Kilovolt-ampere	s	Second (Time)
kW	Kilowatt	V	Volt
l	Liter	VA	Volt-ampere
MHz	Megahertz	W	Watt
		Wh	Watt-hour

**Table 2-2 Table of Acronyms**

ABL	Automatic Brightness Limiter	I/O	Input/output
AC	Alternating Current	L	Left
ACC	Automatic Chroma Control	L	Low
AF	Audio Frequency	LED	Light Emitting Diode
AFC	Automatic Frequency Control	LF	Low Frequency
AFT	Automatic Fine Tuning	MOSFET	Metal-Oxide-Semiconductor-Field-Effect-Tr
AGC	Automatic Gain Control	MTS	Multi-channel Television Sound
AM	Amplitude Modulation	NAB	National Association of Broadcasters
ANSI	American National Standards Institute	NEC	National Electric Code
APC	Automatic Phase Control	NTSC	National Television Systems Committee
APC	Automatic Picture Control	OSD	On Screen Display
A/V	Audio-Video	PCB	Printed Circuit Board
AVC	Automatic Volume Control	PLL	Phase-Locked Loop
BAL	Balance	PWM	Pulse Width Modulation
BPF	Bandpass Filter	QIF	Quadrature Intermediate Frequency
B-Y	Blue-Y	R	Right
CATV	Community Antenna Television (Cable TV)	RC	Resistor & Capacitor
CB	Citizens Band	RF	Radio Frequency
CCD	Charge Coupled Device	R-Y	Red-Y
CCTV	Closed Circuit Television	SAP	Second Audio Program
Ch	Channel	SAW	Surface Acoustic Wave(Filter)
CRT	Cathode Ray Tube	SIF	Sound Intermediate Frequency
CW	Continuous Wave	SMPS	Switching Mode Power Supply
DC	Direct Current	S/N	Signal/Noise
DVM	Digital Volt Meter	SW	Switch
EIA	Electronics Industries Association	TP	Test Point
ESD	Electrostatic Discharge	TTL	Transistor Transistor Logic
ESD	Electrostatically Sensitive Device	TV	Television
FBP	Feedback Pulse	UHF	Ultra High Frequency
FBT	Flyback Transformer	UL	Underwriters Laboratories
FF	Flip-Flop	UV	Ultraviolet
FM	Frequency Modulation	VCD	Variable-Capacitance Diode
FS	Fail Safe	VCO	Voltage Controlled Oscillator
GND	Ground	VCXO	Voltage Controlled Crystal Oscillator
G-Y	Green-Y	VHF	Very High Frequency
H	High	VIF	Video Intermediate Frequency
HF	High-Frequency	VR	Variable Resistor
HI-FI	High Fidelity	VTR	Video Tape Recorder
IC	Inductance-Capacitance	VTVM	Vacuum Tube Voltmeter
IC	Integrated Circuit	TR	Transistor
IF	Intermediate Frequency		

## 2-2 IC Line Up

<b>Table 2 - 3 IC Line - Up</b>						
<b>NO</b>	<b>BOARD</b>	<b>LOC. NO</b>	<b>SPEC</b>	<b>DESCRIPTION</b>	<b>REMARK</b>	
<b>1</b>	<b>MAIN</b>	IC201S	VDP3130Y	Video Processor	Refer to Table 2-3-1	
		IC601	MSP3411G	Multistandard Sound Processor	Refer to Table 2-3-2	
		IC901	SDA555X	MICOM, TTX(MTP)		
		IC902	KS24L161	EEPROM		
		IC602	TDA7297	Audio AMP	Refer to Table 2-3-3	
		HIC201	DRGB001	RGB Drive AMP Hybrid IC		VM Option
		HIC202				
		HIC203				
		HIC204				
		IC301	LA7845	Vertical IC		
		Q402	KSC2073-H2	Horizontal Drive IC	HC401	
		Q401	KSD5703			
		D414	FMP-3FU			
		IC401	KA393	E/W Drive IC		
		Q404	IRF620			
		IC801S	3S1265RB 3S1265RD	SPS Controllor		
		D801S	RBV606	Bridge Diode		
		PC801S	PC123Y	Photo Coupler		
		IC802	KA78R05	5V Controlled Regulator		
		D805	FML-G12S	Rectifier Diode	HC801	
		D806				
		D807				
		D802	FMG-G2CS			
		IC201	KA78RM33	3.3V Regulator		
		IC804	KA7806	6V Regulator		
		IC803	KA78R08	8V Controlled Regulator		
		IC903	KA78RM33	3.3V Regulator		
		IC904	KIA7025AP	MICOM Reset IC		
		Q909	2N700	IIC Level Shifter		
		Q910				



**Table 2 - 3 IC Line - Up**

NO	BOARD	LOC. NO	SPEC	DESCRIPTION	REMARK
		TU01S	TCL3101PD09A9(S)		Refer to Table 2-3-4
		TU02S	TCL3101PD09A9(S)		Refer to Table 2-3-5
2	CRT	IC501	TDA5109 TDA6101Q	Video Output AMP R.G.B Drive	FLAT
		IC502			FLAT
		IC503			FLAT
		QF04	2SC2344	Push-Pull (VM)	
		QF05	2SA1011		
		QG02	KSA940	TR-Power (TILT)	Option
		QG03	KSD2073-H2		
		ICG01	KA4558	OP-AMP (TILT)	
3	DOUBLE FOCUS	ICH01	KA4558	OP-AMP	Option
		QH01	2SC4636RB	TR-Power	
4	V-S/W	ICS01	TEA6425	Video Switching IC with Adder Output	Option
5	PIP	ICP01	SDA9489X	High-end Picture-In Picture IC	Option
			SDA9489	1-TUNER PIP	Option
		ICP02	EZ1086CM	3.3V Regulator	Option

**Table 2-3-1 VIDEO IC (IC201S)**

SPEC	FUNCTION	REMARK
VDP3108B	50Hz Basic	
VDP3112B	50Hz, 2H Comb Filter	
VDP3120B	50Hz, 2H Comb Filter, Horizontal Scaler	
VDP3130Y	50Hz, 2H Comb Filter, DVD Input	

**Table 2-3-2 SOUND IC (IC601)**

SPEC	FUNCTION	REMARK
MSP3400D	Multistandard, A2 Stereo	
MSP3410D	Multistandard, A2 Stereo, Nicam	
MSP3411G	Multistandard, A2 Stereo, Nicam, Virtual Dolby	

 **Table 2-3-3 SOUND AMP (IC602)**

SPEC	FUNCTION	REMARK
TDA7297	15W x 2CH, 10W x 2CH	

 **Table 2-3-4 1'st TUNER (TU01S)**

SPEC	FUNCTION	REMARK
TCLS3101PD09A(S)	CS with LNA Function	Main(Old)
TCPS3000P	CS	
TCPS3001PD09E(S)	CS	India
TCPW3001PD09A(S)	CZ, CW	
TCL3101PD16A	CS	Main(New)

**Note** TCPS3001PD09A(S) is out-of-date, TCPS3001PD09D(S) which is up-to-date has the same function.

 **Table 2-3-5 2'nd TUNER (TU02S)**

SPEC	FUNCTION	REMARK
TCPS3000PC09B(S)	CS	Sub(Old())
TCPS3000PC16B	CS	Sub(New)

# MEMO

### 3. Specifications

Television System	<b>CS</b>	PAL/SECAM-B/G,D/K,L,I, NTSC-M	
<b>Antena Input</b>		75ohms, Coaxial Cable	
<b>Power</b>	<b>Consumption</b>	130W (Applied When 29" Flat)	
	<b>Requirements</b>	220V Only	
		Free Voltage	Not Present R815
<b>Frequency</b>	50/60Hz		
<b>Sound</b>	<b>Output</b>	15W x 2CH	29 Inch
		10W x 2CH	21 Inch
		5W x 2CH	
	<b>Effect</b>	Virtual Dolby	<b>Option</b>
		Turbo Sound	
		Pseudo Stereo	
<b>Jacks</b>	<b>Front (AV2)</b>	RCA Input	
		S-VHS	<b>Option</b>
		Head-Phone	
	<b>Back</b>	RCA99(AV2 Input/Out)	
		2Scart Input/Output	AV1 : Scart I/O, RGB Input, RF Out AV2 : Scart I/O, Monitor Out
		DVD Input(YPbPr)	<b>Option</b>
		AV2 Monitor Audio Output	<b>Option</b>
		S-VHS	<b>Option</b>

Specifications are subject to change.

#### Specifications for Model Name (Ex. CS29A6??8X/HAC)

	Function	NOTE
<b>N</b>	NICAM	"NICAM" means that A2 STEREO + NICAM
<b>P</b>	2 TUNER PIP	
<b>PF</b>	2 TUNER PIP, NICAM, TTX	
<b>PT</b>	2 TUNER PIP, A2 STEREO, TTX	
<b>PW</b>	2 TUNER PIP, A2 STEREO	
<b>MT</b>	2 TUNER MULTI PIP, A2 STEREO,	
<b>NT</b>	NICAM, TTX	
<b>WT</b>	A2 STEREO, TTX	
<b>GW</b>	1 TUNER PIP, A2 STEREO, TTX	

# MEMO

---

## 4. Alignment and Adjustments

---

### 4-1 General Alignment Instructions

---

1. Usually, a color TV-VCR needs only slight touch-up adjustment upon installation. Check the basic characteristics such as height, horizontal and vertical sync and focus.
2. Observe the picture for good black and white details. There should be objectionable color shading; if color shading is present, demagnetize, perform purity and convergence adjustments described below.
3. Use the specified test equipment or its equivalent.
4. Correct impedance matching is essential.
5. Avoid overload. Excessive signal from a sweep generator might overload the front-end of the TV. When inserting signal markers, do not allow the marker generator to distort test results.
6. Connect the TV only to an AC power source with voltage and frequency as specified on the backcover nameplate.
7. Do not attempt to connect or disconnect any wires while the TV is turned on. Make sure that the power cord is disconnected before replacing any parts.
8. To protect against shock hazard, use an isolation transformer.

### 4-2 Automatic Degaussing

---

A degaussing coil is mounted around the picture tube, so that external degaussing after moving the TV should be unnecessary. But the receiver must be properly degaussed upon installation.

The degaussing coil operates for about 1 second after the power is switched ON. If the set is moved or turned in a different direction, the power should be OFF for at least 10 minutes.

If the chassis or parts of the cabinet become magnetized, poor color purity will result. If this happens, use an external degaussing coil. Slowly move the degaussing coil around the faceplate of the picture tube and the sides and front of the receiver. Slowly withdraw the coil to a distance of about 6 feet before turning power OFF.

If color shading persists, perform the following Color purity and Convergence adjustments.

### 4-3 High voltage Check

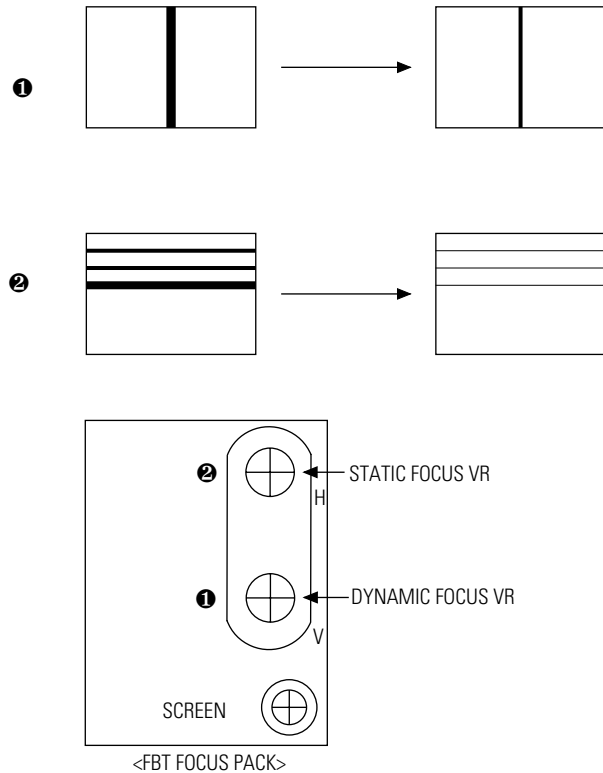
---

**CAUTION :** There is no high voltage adjustment on this chassis. The B+ power supply should be +135 volts (with full color- bar input and normal picture level).

1. Connect a digital voltmeter to the second anode of the picture tube.
2. Turn on the TV. Set the Brightness and Contrast controls to minimum (zero beam current).
3. Adjust the Brightness and contrast controls to both extremes. Ensure that the high voltage does not exceed 32 KV under any conditions.

## 4-4 Dynamic Focus Adjustment

1. A dynamic focus adjustment should be done after replacing the CRT PCB, FBT or CRT.
2. Input a crosshatch pattern.
3. Enter " STANDARD " in video mode.
4. Turn the Dynamic focus VR fully clockwise (maximum). (1)
5. Turn the Static focus VR fully counterclockwise (maximum). (2)
6. Slowly turn the static focus VR counterclockwise. Adjust until the vertical line in the middle of the screen has maximum clarity. (1)
7. Slowly turn the dynamic focus VR (clockwise) and adjust the 3rd horizontal line for maximum clarity. (2)
8. Repeat 4-7, if necessary.



## 4-5 SCREEN Adjustment

1. Input Toshiba Pattern
2. Enter "Service Mode".(Refer to "Service Mode")
3. Select "G2-Adjust".
4. Set the values as example(Refer to page4-24).

ex) **IBRM = 220**  
**WDRV = 35**  
**CDL = 220**  
**COLR G B = 150 150 150**

5. Turn the SCREEN VR until "MRCR G B" and "MRWDG" are green and those value are about 100.  
(The incorrect SCREEN Voltage may result that "MRCR G B" and "MRWDG" should be red)

**Note 1. When you do not have Toshiba Pattern, follow this method.**

1. Set the TV on the condition that AV mode no signal(black)
2. Enter the "Menu" and set the mode to blue screen off.
3. Enter the "Service Mode".
4. Select " G2-Adjust".
5. Set the values as example(Refer to page4-24).

**ex) IBRM = 220**  
**WDRV = 35**  
**CDL = 220**  
**COLR G B = 150 150 150**

6. Turn the SCREEN VR until the value of " MRCR G B" is about 120. Do not mind that the "OSD" Color is red.

■ After completing G2-Adjust, follow this procedure.

- ① Enter the "Video Adjust 1".
- ② Choose any item in menu. (ex. Select "Red Cutoff")
- ③ Change the value of item you select, and recover the value.

For example, when the value of "Red Cutoff" is 127, change the value to 128 and restore the value to 127.

If you do not follow this procedure, the picture may be abnormal.  
 For example, when the TV set is on, the picture becomes brighter gradually.



## 4-6 E<sup>2</sup>PROM (IC902) Replacement

---

1. When IC902 is replaced, all adjustment data revert to the initial values.  
So, all adjustment values when servicing should be readjusted.
2. After IC902 is replaced, connect the AC power supply cord.
3. Turn the power switch ON.
4. In stand-by, warm up the TV for at least 10 seconds.
5. Power on the TV.

## 4-7 White Balance Adjustment

---

■ Equipment : Color-Analyzer (CA-100)

■ Input Signal : Pattern signal (Toshiba pattern)

1. Select STANDARD from the menu.
2. Input an 100% White pattern.
3. Enter the "Service Mode". (Refer to "4-8 Service Mode")
4. Warm up the TV set at least for 30 minutes.
5. Input a Toshiba pattern signal.
6. Enter the "Video Adjust1".
  - Adjust "Sub Contrast" so that Y (luminance) becomes  $40 \text{ ft} \pm 3$ .
  - Use "Red Drive" and "Blue Drive" to adjust High-Light (x : 290, y : 300)
  - Adjust "Sub Bright" so that Y (luminance) becomes  $1.3\text{ft} \pm 0.3$ .
  - Use "Red Cutoff" and "Blue Cutoff" to adjust Low-Light (x : 290, y : 300).
7. Adjust CA-100 so that the final adjustment value can be fixed.
8. Use the Channel Up/Down (▲/▼) buttons to move the cursor on the adjustment modes.
9. Use the Volume +/- buttons to change the adjustment value.

### ■ SMPS Controller differential List

1265RB		1265RD	
LOC.	SPEC	LOC.	SPEC
DZ808	MTZ8.28	DZ808	MTZ8.28
C811	47NF	C811	47NF
C828	221.50V	C828	221.50V

**Note 2. KS3A 29" Flat 50Hz, CRT Change(Double Focus → Single Focu)**

- Background : It is occurred to service confusion
- Cause : CRT Socket PCB change as CRT changing from Double Focus to Single Focus
- How to service

Code : It is different to CRT Socket Code per focus type

CRT Socket	Code No
For Double Focus	3704-001032
For Single Focus	3704-000114

Case :

1. Using CRT Socket PCB for Single Focus at CRT for Double Focus
  - (1) Change the CRT Socket in PCB(Single → Double).
  - (2) Cut the red-colored focus wire of FBT in set.
  - (3) Connect the wires at Focus terminal like picture #1 for short circuit using red-colored focus wire of FTB.
2. Using CRT Socket PCB for Double Focus at CRT for Single Focus
  - (1) Change the CRT Socket in PCB(Double → Single).
  - (2) Cut the red-colored focus wire of FBT in set like picture #2.

\* You mus tape the isolation parts for safety.

## 4-8 Factory Adjustment

---

### 4-8-1 Service Mode

1. To enter the "Service Mode", Press the remote-control keys in this sequence :

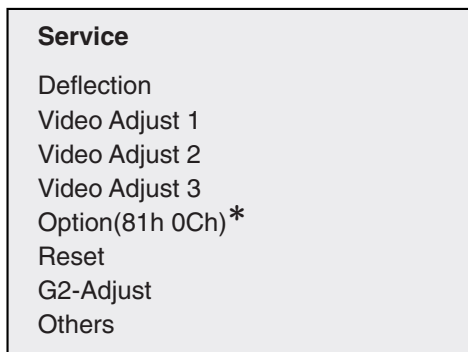
- If you do not have Factory remote-control



- If you have Factory remote-control



2. After the Service Mode is entered, the initial screen is as shown in the figure below.



\* These hexa digits are check sum value which depends on the MICOM.  
If check sum value is changed, the value of E<sup>2</sup>PROM Data newly initialed.

3. Use the Channel Up/Down buttons to move the cursor in the adjustment parameters.

#### Note 3.

- When CRT, CRT PCB, FBT, E<sup>2</sup>PROM (sometimes MICOM) is replaced, the adjustment values should be controlled.
- After the Service adjustment is completed, Do not select "Reset" in the service mode menu. (After above procedure is done, power is on initially and the "Plug and Play" will be operated.)

## 4-8-2 Memory Data

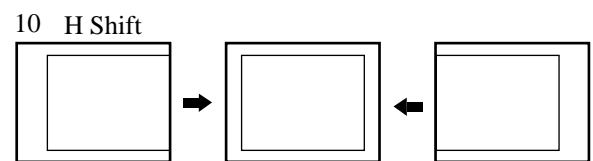
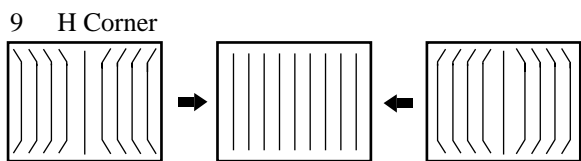
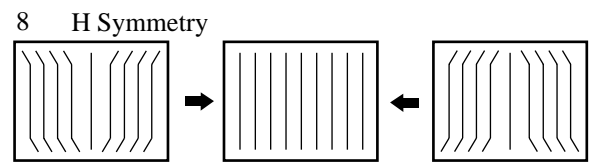
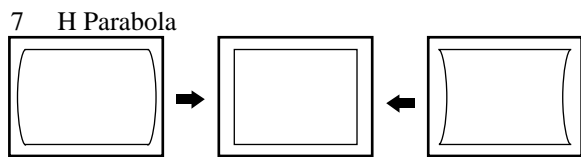
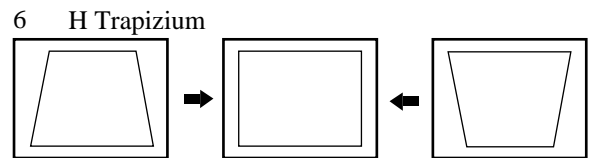
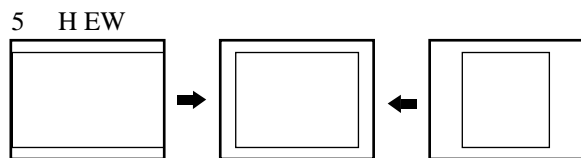
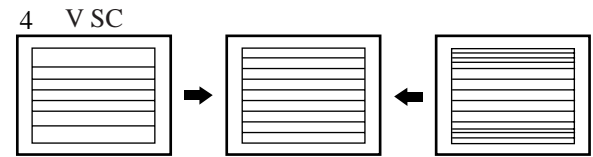
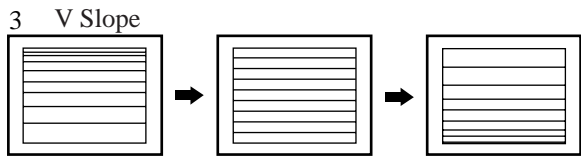
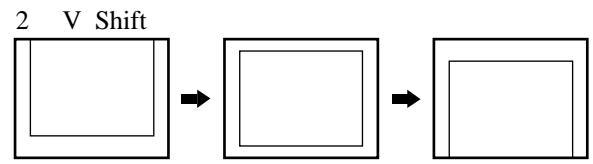
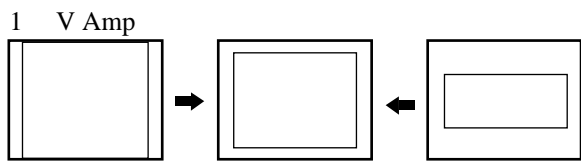
### 4-8-2(A) DEFLECTION (GEOMETRIC ADJUSTMENT VALUE)

No.	OSD	Function	Remark
1	V Amp	Adjusts Vertical picture size. Adjust 4:4 upper and below picture size in lion head pattern at factory.	Adjust
2	V Shift	Adjusts Vertical picture position	Adjust
3	V Slope	Adjusts Vertical Slope Correction	Adjust
4	V SC	Adjusts Vertical s-correction	Fix
5	H EW	Horizontal east west width. Adjust 5:5 left and right picture size in lion head pattern at factory.	Adjust
6	H Trapizium	Adjusts horizontal Trapezium.	Adjust
7	H Parabola	Adjusts Horizontal Parabola.	Adjust
8	H Symmetry	Adjusts Picture upper and below horizontal Symmetry.	Fix
9	H Corner	Adjusts Picture upper and below Horizontal Corner.After adjust the Parabola, adjust H corner vertical Line upper and below has nonlinear.	Adjust
10	H Shift	Adjusts Horizontal Position.	Adjust
11	Zoom 4:3 Para	Corrects the vertical linearity in Zoom mode of P-SIZE. The data depends on CRT (see data above)	Fix
12	4:3~16:9 Para	Corrects the vertical linearity in 16:9 mode of P-SIZE. The data differs according to CRT (see data above).	Adjust
13	Wide-4:3 Para	Corrects the vertical linearity in wide mode of P-SIZE. The data differs according to CRT (see data above).	Adjust
14	Wide-Zoom Para	Corrects the vertical linearity in wide mode of P-SIZE. The data differs according to CRT (see data above).	Adjust
15	Wide-Zoom2 Para	Corrects the vertical linearity in wide mode of P-SIZE. The data differs according to CRT (see data above).	Fix
16	Zoom1 Amp	Adjusts vertical amplitude in zoom1	Fix
17	Zoom2 Amp	Adjusts vertical amplitude in zoom2. Zoom2 mode is a manual zoom mode	Fix
18	TTX Position	Sets TTX Position.	Fix
19	D-TTX Posi	Double -TTX position.	Fix
20	RGB Shift	Adjusts RGB input signal Horizontal position	Fix
21	PIP Contrast	Adjusts PIP contrast.	Fix
22	PIP Tint	Adjusts PIP Tint. It is a function to control color phase of NTSC signal in PIP	Fix
23	PIP V.Move(VSPDEL)	PIP vertical sync pulse delay. When changing data, PIP jitters at two points. In this case, the PIP VSPDEL is set to the center between two points.	Fix
24	PIP PAL V.Pos	Adjusts Vertical position of PIP in PAL system.	Fix
25	PIP NTSC V.Pos	Adjusts Vertical position of PIP in NTSC system.	Fix
26	PIP H.Pos	Adjusts Horizontal Position of the PIP.	Fix
27	PIP BLKLG	PIP blanking level green(PIP low light white balance). It is used to control low light white balance in PIP	Fix

OSD	RANGE	INITIAL DATA										Remarks
		SIM-806EW1(SEH)										
		21" 4:3 SED AK	21" 4:3 Tho AK	25" 4:3 SED/Tho AK	28" 4:3 Tho AK	28" 4:3 Phi Invar	28" 4:3 Tho Invar	29" 4:3 SED Flat	24" WIDE Phi AK	24" WIDE Phi Invar	24" WIDE Tho Invar	
V Amp	0 ~ 255	107	107	115	83	101	119	75	103	91	73	GEOM
V Shift	0 ~ 255	81	81	98	110	125	110	125	43	47	51	GEOM
V Slope	0 ~ 255	126	126	123	124	124	123	126	125	126	124	GEOM
V SC	0 ~ 255	127	127	120	120	120	120	113	133	140	133	FIX
H EW	0 ~ 255	166	166	160	164	164	163	225	75	127	134	GEOM
H Trapizium	0 ~ 255	88	88	101	91	67	95	118	90	86	93	GEOM
H Parabola	0 ~ 255	161	161	143	112	118	123	209	123	124	138	GEOM
H Symmetry	0 ~ 255	142	142	136	136	136	136	139	137	136	139	FIX
H Corner	0 ~ 255	81	81	92	128	101	122	42	103	73	97	GEOM
H Shift	0 ~ 255	162	162	145	150	156	150	134	136	158	146	GEOM
Zoom 4:3 Para	0 ~ 255	10	10	1	1	-11	-11	-8	-7	-7	-7	FIX
4:3~16:9 Para	0 ~ 255	8	8	4	4	12	12	4	3	3	3	FIX
Wide-4:3 Para	0 ~ 255	0	0	0	0	0	0	0	2	0	-5	FIX
Wide-Zoom Para	0 ~ 255	0	0	0	0	0	0	0	2	-4	0	FIX
Wide-Zoom2 Para	0 ~ 255	2	2	2	2	2	2	2	12	-	0	FIX
Zoom1 Amp	0 ~ 255	25	20	25	25	1	1	25	20	-	24	FIX
Zoom2 Amp	0 ~ 255	1	1	1	1	1	1	1	62	-	71	FIX
TTX Position	0 ~ 255	2	2	2	2	2	2	2	10	2	0	FIX
D-TTX Posi	0 ~ 255	1	1	1	1	1	1	1	10	13	10	FIX
RGB Shift	0 ~ 255	10	8	-20	-1	-	-	-20	-25	-	-	FIX
OSD	RANGE	SIM-806EW1(SEH)						SIM-806EW1(HQ)				Remarks
		28" WIDE Tho AK	28" WIDE Tho Invar	32" WIDE Tho Invar	28" WIDE SED Flat	32" WIDE Pin Flat	32" WIDE Tho Flat	29" Flat	21" Flat	25" Flat	21" LG Pin Free	
V Amp	0 ~ 255	97	100	100	170	96	74	100	70	100	58	GEOM
V Shift	0 ~ 255	12	14	11	109	41	21	120	130	120	118	GEOM
V Slope	0 ~ 255	121	126	126	124	126	126	124	124	124	127	GEOM
V SC	0 ~ 255	133	133	133	121	170	133	110	110	110	110	FIX
H EW	0 ~ 255	123	190	190	148	128	94	200	170	200	194	GEOM
H Trapizium	0 ~ 255	83	69	69	134	82	89	80	90	80	91	GEOM
H Parabola	0 ~ 255	113	113	110	142	61	149	120	160	120	177	GEOM
H Symmetry	0 ~ 255	139	136	139	139	140	135	140	140	140	134	FIX
H Corner	0 ~ 255	109	113	114	126	82	66	150	100	150	72	GEOM
H Shift	0 ~ 255	146	149	140	139	147	136	140	150	140	160	GEOM
Zoom 4:3 Para	0 ~ 255	7	7	7	-	7	-7	-7	4	-7	10	FIX
4:3~16:9 Para	0 ~ 255	3	3	3	-	3	3	3	-7	3	-10	FIX
Wide-4:3 Para	0 ~ 255	-4	4	-6	0	1	-3	0	0	0	0	FIX
Wide-Zoom Para	0 ~ 255	-4	5	-3	0	12	-5	0	0	0	0	FIX
Wide-Zoom2 Para	0 ~ 255	15	15	-17	0	41	-10	0	0	0	0	FIX
Zoom1 Amp	0 ~ 255	19	19	18	25	29	19	60	60	60	60	FIX
Zoom2 Amp	0 ~ 255	56	56	57	70	86	56	0	0	0	80	FIX
TTX Position	0 ~ 255	0	2	-10	-10	0	-10	-3	3	-3	3	FIX
D-TTX Posi	0 ~ 255	-5	3	-5	-10	5	-5	8	8	8	8	FIX
RGB Shift	0 ~ 255	-24	-5	-15	-25	14	-15	1	17	1	17	FIX

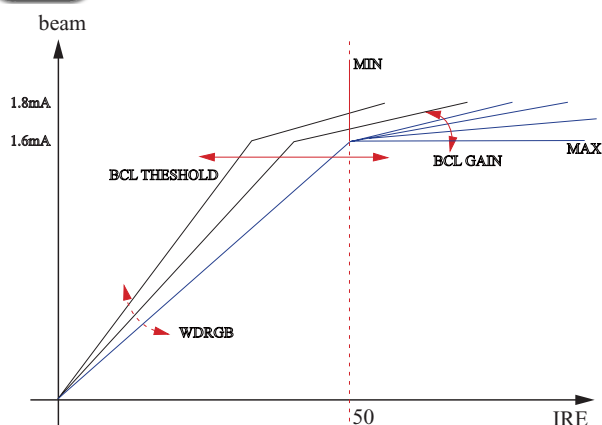
OSD	RANGE	INITIAL DATA								Remarks
		SIM-812MA3			SIM-812MAD	SIM-806MA3		SIM-812EA1	SIM-806E11	
		29" Flat/DVD	CIS 29" Flat	CIS 29" Flat SKD CKD	29" Flat	34" Flat	29" Flat	29" Flat	29" Flat	
V Amp		-30/55	-30	-30	-45	7	-55	-55	-65	GEOM
V Shift		-7	-7	-7	-2	-22	-7	-7	-7	GEOM
V Slope		-3	-3	-3	-3	-7	-3	-3	-3	GEOM
V SC		-17	-17	-17	-17	-15	-17	-17	-15	FIX
H EW		30	30	30	30	-8	30	30	30	GEOM
H Trapizium		-47	-47	-47	-34	-22	-47	-47	-47	GEOM
H Parabola		-7	-7	-7	10	-6	-7	-7	-7	GEOM
H Symmetry		10/13	13	13	10	10	10	10	10	FIX
H Corner		23	23	23	-10	-8	23	23	23	GEOM
H Shift		13	13	13	27	-13	13	13	13	GEOM
PIP Contrast		8	8	8	10	7	8	8	10	FIX
PIP Tint		0	0	0	0	0	0	0	0	FIX
PIP V.Move(VSPDEL)		0	17	0	17	8	17	17	17	FIX
PIP PAL V.Pos		26	26	26	23	26	26	26	25	FIX
PIP NTSC V.Pos		23	23	23	20	23	23	23	25	FIX
PIP H.Pos		30	30	30	27	30	30	30	30	FIX
PIP BLKLG		6	6	6	3	6	6	6	7	FIX

4-8-2(B) SCREEN CHANGE (I2C BUS GEOMETRIC ADJUSTMENT)



## 4-8-2(C) VIDEO ADJUST 1

No.	OSD	Function	Remark
1	Red Cutoff	Adjusts the gain of red output of low light	Adjusts
2	Green Cutoff	Adjusts the gain of green output of low light. Fix this gain to 127.	Fix
3	Blue Cutoff	Adjusts the gain of blue output of low light.	Adjusts
4	Red Drive	Adjusts the gain of red output of high light.	Adjusts
5	Green Drive	Adjusts the gain of green output of high light. After "G2-Adjustment" and White Balance adjustments are complete, this data is fixed to 127..	Fix
6	Blue Drive	Adjusts the gain for blue output of high light.	Adjusts
7	Sub Bright	Adjust sub brightness level to set the low light luminance in Picture Standard mode.	Adjusts
8	Sub Contrast	Adjusts sub contrast level to set the high light luminance in Picture Standard mode. Set the value of sub contrast to near 50. The user control "contrast" depends on this value. User contrast = [sub cont * 2 / 100] If sub contrast data is 10, user contrast changes into 1/5 step	Adjusts
9	Sub Color	Adjusts sub color level to set the gain for color in Picture Standard mode.	Fix
10	Sub Tint	Adjusts the sub tint level of NTSC color system.	Fix
11	BCL Threshold	Beam Current Limit threshold current if SENSE input used 0...-2048 BCL threshold current if RSW1 input used (max. ADC output ~2047)	Fix
12	BCL Gain	Beam Current Limit loop Gain	Fix
13	BCL Time	BCL time constant; 0 = off	Fix
14	BCL Time2	Teletext Contrast Level	Fix
15	BCL Bri Reduction	BCL Brightness Reduction	Fix
16	P.DK.YC Delay	PAL-D/K Y/C Delay	Fix
17	P.I.YC Delay	PAL-I Y/C Delay	Fix
18	P.L.YC Delay	PAL-L Y/C Delay	Fix
19	S.BG.YC Delay	SECAM-B/G Y/C Delay	Fix
20	S.DK.YC Delay	SECAM-D/K Y/C Delay	Fix
21	S.L.YC Delay	SECAM-L Y/C Delay	Fix
22	P.BG.YC Delay	PAL-B/G Y/C Delay	Fix
23	P.YC Delay	External PAL Y/C Delay	Fix
24	S.YC Delay	External SECAM Y/C Delay	Fix
25	N.YC Delay	External NTSC Y/C Delay	Fix
26	P.M.YC Delay	PAL-M Y/C DELAY	Fix
27	N.MYC Delay	NTSC-M YC DELAY	Fix

**Note 4. Beam Control Limit Characteristic**



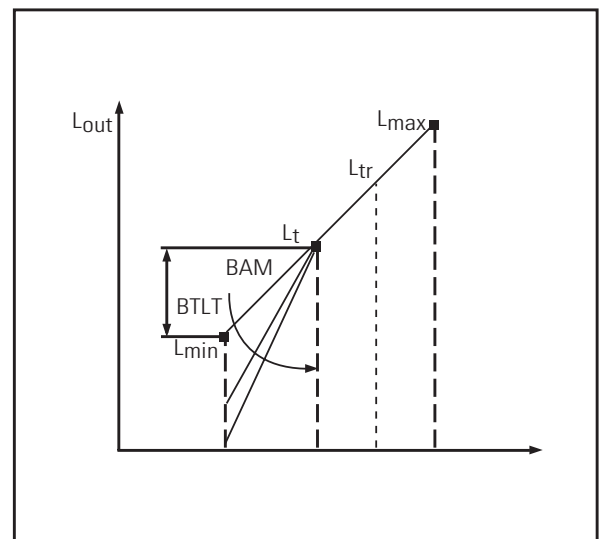
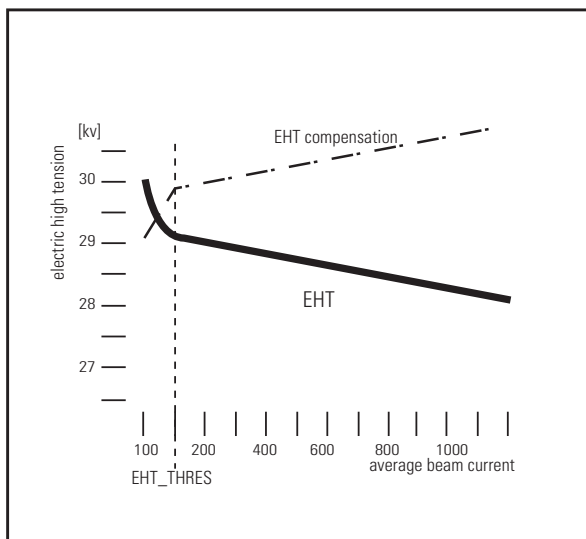
OSD	RANGE	INITIAL DATA										Remarks
		SIM-806EW1(SEH)										
		21" 4:3 SED AK	21" 4:3 Tho AK	25" 4:3 SED AK	25" 4:3 SED AK	28" 4:3 Tho AK	28" 4:3 Phi/Tho Invar	29" 4:3 SED Flat	24" WIDE Phi AK	24" WIDE Phi Invar	24" WIDE Tho Invar	
Red Cutoff		116	127	117	117	118	128	127	119	127	127	W/B
Green Cutoff		127	127	127	133	127	127	127	127	127	127	Fix
Blue Cutoff		158	127	134	134	127	135	127	130	128	127	W/B
Red Drive		139	127	161	161	162	147	127	145	150	127	W/B
Green Drive		127	127	127	127	127	127	127	127	127	127	Fix
Blue Drive		89	127	83	83	110	105	127	131	127	127	W/B
Sub Bright		1.2 ftl	1.2 ftl	1.2 ftl	1.2 ftl	1.2 ftl	1.2 ftl	1.2 ftl	1.2 ftl	1.2 ftl	1.2 ftl	
		100	100	111	100	107	118	100	100	112	100	W/B
Sub Contrast		28 ftl	28 ftl	28 ftl	28 ftl	28 ftl	32 ftl	32 ftl	28 ftl	32 ftl	32 ftl	
		51	51	57	51	52	51	51	51	51	51	W/B
Sub Color		27	27	27	27	27	27	27	27	27	27	Fix
Sub Tint		80	80	80	80	80	80	80	80	80	80	Fix
BCL Threshold		30	30	27	27	35	55	40	26	85	40	Fix
BCL Gain		9	9	13	13	9	9	10	12	9	10	Fix
BCL Time		10	10	10	10	10	10	10	10	10	10	Fix
BCL Time2		90	90	90	90	90	90	90	90	90	90	Fix
BCL Bri Reduction		3	3	3	3	3	3	3	3	3	3	Fix
P.DK.YC Delay		6	6	6	6	6	6	6	6	6	6	Fix
P.I.YC Delay		6	6	6	6	6	6	6	6	6	6	Fix
P.L.YC Delay		7	7	7	7	7	7	7	7	7	7	Fix
S.BG.YC Delay		3	3	3	3	3	3	3	3	3	3	Fix
S.DK.YC Delay		5	5	5	5	5	5	5	5	5	5	Fix
S.L.YC Delay		8	8	8	8	8	8	8	8	8	8	Fix
P.BG.YC Delay		5	5	5	5	5	5	5	5	5	5	Fix
P.YC Delay		4	4	4	4	4	4	4	4	4	4	Fix
S.YC Delay		1	1	1	1	1	1	1	1	1	1	Fix
N.YC Delay		4	4	4	4	4	4	4	4	4	4	Fix
OSD	RANGE	SIM-806EW1(SEH)						SIM-806EW1(HQ)				Remarks
		28" WIDE Tho AK	28" WIDE Tho Invar	32" WIDE Tho Invar	28" WIDE SED Flat	32" WIDE Phi Flat	32" WIDE Tho Flat	29" Flat	21" Flat	25" Flat	21" LG Pin Free	
Red Cutoff	0 ~ 255	131	130	132	117	129	145	127	127	127	127	W/B
Green Cutoff	0 ~ 255	127	127	127	133	127	127	127	127	127	127	Fix
Blue Cutoff	0 ~ 255	133	131	128	134	127	107	127	127	127	122	W/B
Red Drive	0 ~ 255	147	164	157	161	168	146	127	127	127	149	W/B
Green Drive	0 ~ 255	127	127	127	127	127	127	127	127	127	127	Fix
Blue Drive	0 ~ 255	121	106	86	127	110	116	127	127	127	124	W/B
Sub Bright		1.2 ftl	1.2 ftl	1.2 ftl	1.2 ftl	1.2 ftl	1.2 ftl					
	0 ~ 200	93	105	100	100	109	117	100	100	100	149	W/B
Sub Contrast		28 ftl	32 ftl	32 ftl	32 ftl	32 ftl	32 ftl					
	0 ~ 63	55	51	51	51	52	51	45	45	45	38	W/B
Sub Color	0 ~ 27	27	27	27	27	27	27	27	27	27	27	Fix
Sub Tint	0 ~ 127	80	80	80	80	80	80	80	80	80	80	Fix
BCL Threshold	0 ~ 255	33	35	43	46	48	49	40	59	40	59	Fix
BCL Gain	0 ~ 15	9	/8	/9	12	10	13	7	8	7	8	Fix
BCL Time	0 ~ 15	10	10	10	10	10	10	10	13	10	15	Fix
BCL Time2	0 ~ 15	90	90	90	90	90	90	-	-	-	-	Fix
BCL Bri Reduction	0 ~ 255	3	3	3	3	3	3	-	-	-	-	Fix
P.DK.YC Delay	0 ~ 8	6	6	6	6	6	6	7	7	7	7	Fix
P.I.YC Delay	0 ~ 8	6	6	6	6	6	6	7	7	7	7	Fix
P.L.YC Delay	0 ~ 8	7	7	7	7	7	7	5	5	5	5	Fix
S.BG.YC Delay	0 ~ 8	3	3	3	3	3	3	3	3	3	3	Fix
S.DK.YC Delay	0 ~ 8	5	5	5	5	5	5	5	5	5	5	Fix
S.L.YC Delay	0 ~ 8	8	8	8	8	8	8	5	5	5	5	Fix
P.BG.YC Delay	0 ~ 8	5	5	5	5	5	5	3	3	3	3	Fix
P.YC Delay	0 ~ 8	4	4	4	4	4	4	4	4	4	4	Fix
S.YC Delay	0 ~ 8	1	1	1	1	1	1	1	1	1	1	Fix
N.YC Delay	0 ~ 8	4	4	4	4	4	4	4	4	4	4	Fix
S.I YC Delay	0 ~ 8	-	-	-	-	-	-	7	7	7	7	Fix
TTX Contrast	0 ~ 255	-	-	-	-	-	-	90	120	90	120	Fix

OSD	RANGE	INITIAL DATA								Remarks
		SIM-812MA3			SIM-812MAD	SIM-806MA3		SIM-812EA1	SIM-806E11	
		29" Flat/DVD	CIS 29" Flat	CIS 29" Flat SKD CKD	29" Flat	34" Flat	29" Flat	29" Flat	29" Flat	
Red Cutoff	0 ~ 255	127	127	127	127	127	127	127	127	W/B
Green Cutoff	0 ~ 255	127	127	127	127	127	127	127	127	Fix
Blue Cutoff	0 ~ 255	127	127	127	127	127	127	127	127	W/B
Red Drive	0 ~ 255	127	127	127	127	127	127	127	127	W/B
Green Drive	0 ~ 255	127	127	127	127	127	127	127	127	Fix
Blue Drive	0 ~ 255	127	127	127	127	127	127	127	127	W/B
Sub Bright	0 ~ 200	100	100	100	100	100	100	100	100	W/B
Sub Contrast	0 ~ 63	45	45	45	45	45	45	45	45	W/B
Sub Color	0 ~ 27	27	27	27	27	27	27	27	27	Fix
Sub Tint	0 ~ 127	80	80	80	40	40	40	40	30	Fix
BCL Threshold	0 ~ 255	65	65	65	65	65	65	65	65	Fix
BCL Gain	0 ~ 15	8	8	8	8	8	8	8	8	Fix
BCL Time	0 ~ 15	9	9	9	6	6	8	8	8	Fix
TTX Contrast	0 ~ 255	90	90	90	90	90	90	90	-	Fix
P.YC Delay	0 ~ 8	4	4	4	4	4	4	4	4	Fix
S.YC Delay	0 ~ 8	1	1	1	1	1	1	1	1	Fix
N.YC Delay	0 ~ 8	4	4	4	4	4	4	4	4	Fix
PBG YC Delay	0 ~ 8	3	3	3	3	3	3	3	3	Fix
P.DK YC Delay	0 ~ 8	6	6	6	6	6	6	6	6	Fix
P.I YC Delay	0 ~ 8	6	6	6	6	6	6	6	6	Fix
S.BG YC Delay	0 ~ 8	1	1	1	1	1	1	1	1	Fix
S.DK YC Delay	0 ~ 8	5	5	5	5	5	5	5	5	Fix
S.I YC Delay	0 ~ 8	8	8	8	8	8	8	8	8	Fix
P.M.YC Delay	0 ~ 8	7	7	7	7	7	7	7	7	Fix
N.MYC Delay	0 ~ 8	3	3	3	3	3	3	3	3	Fix

4-8-2(D) VIDEO 2 ADJUST

No.	OSD	Range	Function	Remark
1	B stretch-BTHR	0 ~255	Black stretch thresholdLuminance peaking filter coring.	Fix
2	B stretch-BTLT	0 ~10	BLACK stretch tilt position	Fix
3	B stretch-BAM	0 ~20	BLACK stretch amountAdjusts RGB input signal contrast	Fix
4	Coring	0 ~127	Luminance peaking filter, coring level	Fix
5	NR Off Value	0 ~63	Luminance peaking filter coring.	FiX
6	Melody Volume	0 ~255	Sets the level of melody volume in Picture ON. Differently controlled according to buyer and area.	Fix
7	RGB Bright	0 ~255	Adjust RGB input signal brightness	Fix
8	RGB Contrast	0 ~255	Adjust RGB input signal contrast	Fix
9	EHT Time	0 ~255	Electronics high tension time. According to change of Beam, EHT vertical correction time.	Fix
10	EHT Vertical	0 ~255	EHT compensation coefficient vertical.	Fix

**Note 5. EHT compensation Characteristic**



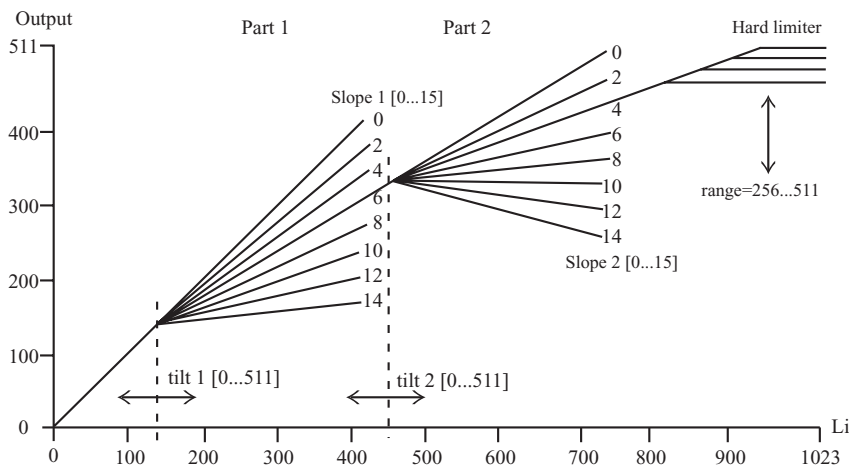
OSD	RANGE	INITIAL DATA						Remarks
		SIM-806EW1(SEH)						
		21" 4:3 SED/Tho AK	25" 4:3 SED/Tho AK	28" 4:3 Tho AK	28" 4:3 Phi/Tho Invar	29" 4:3 SED Flat	24" WIDE Phi AK	
B stretch-BTHR	0 ~ 55	0	0	0	0	0	0	Fix
B stretch-BTLT	0 ~ 15	0	0	0	0	0	0	Fix
B stretch-BAM	0 ~ 31	0	0	0	0	0	0	Fix
Coring	0 ~ 31	25	25	25	25	25	25	Fix
NR Off Value	0 ~ 10	3	3	3	3	3	3	Fix
Melody Volume	0 ~ 20	8	8	8	8	8	8	Fix
RGB Bright	0 ~ 255	45	45	45	45	45	45	Fix
RGB Contrast	0 ~ 80	0	0	0	0	0	0	Fix
EHT Time	0 ~ 255	0	0	0	0	0	0	Fix
EHT Compesation	-	90	30	30	30	90	140	Fix
VSU	96 ~ 111	110	110	110	110	110	110	Fix
OSD	RANGE	SIM-806EW1(SEH)						Remarks
		24" WIDE Phi/Tho AK	28" WIDE Phi/Tho AK	28" WIDE Phi/Tho Invar	32" WIDE Phi/Tho Invar	28" WIDE Phi/SED Flat	32" WIDE Phi/Tho Flat	
B stretch-BTHR	0 ~ 55	0	0	0	0	0	0	Fix
B stretch-BTLT	0 ~ 15	0	0	0	0	0	0	Fix
B stretch-BAM	0 ~ 31	0	0	0	0	0	0	Fix
Coring	0 ~ 31	25	25	25	25	25	25	Fix
NR Off Value	0 ~ 10	3	3	3	3	3	3	Fix
Melody Volume	0 ~ 20	8	8	8	8	8	8	Fix
RGB Bright	0 ~ 255	45	45	45	45	45	45	Fix
RGB Contrast	0 ~ 80	0	0	0	0	0	0	Fix
EHT Time	0 ~ 255	0	0	0	0	0	0	Fix
EHT Compesation	-	30	95	95	90	90	90	Fix
VSU	96 ~ 111	110	110	110	110	110	110	Fix

OSD	RANGE	INITIAL DATA						Remarks
		SIM-806EW1(HQ)				SIM-812MA3		
		29" Flat	21" Flat	25" Flat	21" LG Pin Free	29" Flat/DVD	CIS 29" Flat	
B stretch-BTHR	0 ~ 55	0	0	0	50	50	50	Fix
B stretch-BTLT	0 ~ 15	0	0	0	8	8	8	Fix
B stretch-BAM	0 ~ 31	0	0	0	4	4	4	Fix
Coring	0 ~ 31	25	25	25	31	25	20	Fix
NR Off Value	0 ~ 10	3	3	7	7	-	-	Fix
Melody Volume	0 ~ 20	8	8	8	8	-	-	Fix
RGB Bright	0 ~ 255	45	45	45	45	45	45	Fix
RGB Contrast	0 ~ 80	0	0	15	0	0	0	Fix
EHT Time	0 ~ 255	0	0	0	0	0/3	0	Fix
EHT Compensation	-	30	95	90	90	-	-	Fix
VSU	96 ~ 111	110	110	100	100	-	-	Fix
EHT Vertical	0 ~ 255	-	-	-	-	90	90	
OSD	RANGE	SIM-812MA3	812MAD	SIM-806MA3		SIM-812EA1	SIM-806EI1	Remarks
		CIS 29" Flat SKD CKD	29" Flat	34" Flat	29" Flat	29" Flat	29" Flat	
B stretch-BTHR	0 ~ 55	50	50	50	50	50	50	Fix
B stretch-BTLT	0 ~ 15	8	8	8	8	8	8	Fix
B stretch-BAM	0 ~ 31	4	4	4	4	4	4	Fix
Coring	0 ~ 31	20	25	25	25	25	25	Fix
NR Off Value	0 ~ 10	-	-	-	-	-	-	Fix
Melody Volume	0 ~ 20	-	-	-	-	-	-	Fix
RGB Bright	0 ~ 255	45	45	80	45	45	50	Fix
RGB Contrast	0 ~ 80	0	0	24	0	0	0	Fix
EHT Time	0 ~ 255	0	3	3	3	3	3	Fix
EHT Compensation	-	-	-	-	-	-	-	Fix
VSU	96 ~ 111	-	-	-	-	-	-	Fix
EHT Vertical	0 ~ 255	90	90	60	90	90	90	Fix

4-8-2(E) VIDEO 3 ADJUST

No.	OSD	Function	Remark
1	Peak Threshold	White peak level threshold	Fix
2	Soft Limit Slope B	Refer to picture below	Fix
3	Hard Limit	Refer to picture below	Fix
4	Peak Video Ref	White peak level threshold reference	Fix
5	Peak Video Gain	White peak level threshold gain	Fix
6	ACC Ref=(PAL/NTSC)	Auto color control gain(PAL/NTSC)	Fix
7	ACCR(SECAM)	Auto color control gain(SECAM)	Fix
8	Gain1(Video)	Velocity video gain	Fix
9	Delay1(Video)	Velocity video delay	Fix
10	Velocity Limit	Velocity limit	Fix
11	Velocity Delay	Velocity delay	Fix
12	Velocity Coring	Velocity frequency coring	Fix
13	RGB Shift	Adjust RGB input signal Horizontal position	Fix
14	HB START	Horizontal blanking start	Fix
15	HB STOP	Horizontal blanking stop	Fix
16	2H CombFilter	Comb filter on/off (0:Comb filter off 1:Comb filter on) VDP3108 has no function of Comb filter. In VDP3112B/VDP3130Y/VDP3120B, Set 'on'.	Fix
17	NR Off Value	Adjusts Digital NR off value	Fix
18	Color hys(SECAM)	Color killing hysteresys(SECAM)	Fix
19	Color hys(PAL)	Color killing hysteresys(PAL)	Fix

**Note 6. Soft Limit & Hard Limit**



Calculation Example for the Softlimiter Input Amplitude. (The real signal processing in the limiter is 2 bit more than described here)

Y Input 16...235(ITUR)  
 Black Level 16(constant)  
 Contrast 63  
 Dig. Brightness 20  
 BLE Off  
 Peaking Off

Limiter input signal.  
 (Yin-Black Level)-Contr/32+Brightn.  
 (235-16).63/32+20=451

OSD	RANGE	INITIAL DATA						Remarks
		SIM-806EW1(SEH)						
		21" 4:3 SED/Tho AK	25" 4:3 SED/Tho AK	28" 4:3 Tho AK	28" 4:3 Phi/Tho Invar	29" 4:3 SED Flat	24" WIDE Phi AK	
Peak Threshold	0 ~ 255	100	100	100	100	100	100	Fix
Soft Limit Slope B	0 ~ 15	8	8	8	8	8	8	Fix
Hard Limit	0 ~ 4	255	255	255	255	255	255	Fix
Peak Video Ref	0 ~ 255	1	1	1	1	1	1	Fix
Peak Video Gain	0 ~ 5	2	2	2	2	2	2	Fix
ACC Ref=(PAL/NTSC)	0 ~ 40	20	20	20	20	20	20	Fix
ACCR(SECAM)	0 ~ 39	20	20	20	20	20	20	Fix
Gain1(Video)	0 ~ 31	63	63	63	63	63	63	Fix
Delay1(Video)	0 ~ 15	1	1	1	1	1	1	Fix
Velocity Limit	0 ~ 127	63	63	63	63	63	63	Fix
Velocity Delay	0 ~ 15	7	7	7	7	7	7	Fix
Velocity Coring	0 ~ 15	2	2	2	2	2	2	Fix
OSD	RANGE	SIM-806EW1(SEH)						Remarks
		24" WIDE Phi/Tho AK	28" WIDE Phi/Tho AK	28" WIDE Phi/Tho Invar	32" WIDE Phi/Tho Invar	28" WIDE Phi/SED Flat	32" WIDE Phi/Tho Flat	
		Peak Threshold	0 ~ 255	100	100	100	100	
Soft Limit Slope B	0 ~ 15	8	8	8	8	8	8	Fix
Hard Limit	0 ~ 4	255	255	255	255	255	255	Fix
Peak Video Ref	0 ~ 255	1	1	1	1	1	1	Fix
Peak Video Gain	0 ~ 5	2	2	2	2	2	2	Fix
ACC Ref=(PAL/NTSC)	0 ~ 40	20	20	20	20	20	20	Fix
ACCR(SECAM)	0 ~ 39	20	20	20	20	20	20	Fix
Gain1(Video)	0 ~ 31	63	63	63	63	63	63	Fix
Delay1(Video)	0 ~ 15	1	1	1	1	1	1	Fix
Velocity Limit	0 ~ 127	63	63	63	63	63	63	Fix
Velocity Delay	0 ~ 15	7	7	7	7	7	7	Fix
Velocity Coring	0 ~ 15	2	2	2	2	2	2	Fix

OSD	RANGE	INITIAL DATA						Remarks
		SIM-806EW1(HQ)				SIM-812MA3		
		29" Flat	21" Flat	25" Flat	21" LG Pin Free	29" Flat/DVD	CIS 29" Flat	
Peak Threshold	0 ~ 255	185	255	185	255	185	185	Fix
Soft Limit Slope B	0 ~ 15	4	4	4	4	5	5	Fix
Hard Limit	0 ~ 4	160	255	160	255	180	180	Fix
Peak Video Ref	0 ~ 255	1	0	1	0	0	0	Fix
Peak Video Gain	0 ~ 5	3	0	3	0	0	0	Fix
ACC Ref=(PAL/NTSC)	0 ~ 40	20	20	20	20	33	33	Fix
ACCR(SECAM)	0 ~ 39	20	20	20	20	39	39	Fix
Gain1(Video)	0 ~ 31	11	11	11	11	31	31	Fix
Delay1(Video)	0 ~ 15	3	3	3	3	3	3	Fix
Velocity Limit	0 ~ 127	74	74	74	74	127	127	Fix
Velocity Delay	0 ~ 15	7	7	7	7	7	7	Fix
Velocity Coring	0 ~ 15	10	10	10	10	3	3	Fix
RGB Shift	0 ~ 255	-	-	-	-	-	109	Fix
HB START	0 ~ 3	121	121	121	121	121/117	121	Fix
HB STOP	0 ~ 255	173	173	173	173	173/168	173	Fix
2H CombFilter	0 ~ 1	-	-	-	-	1	1	Fix
NR Off Value	0 ~ 10	-	-	-	-	0	0	Fix
Color hys(SECAM)	0 ~ 255	-	-	-	-	166	166	Fix
Color hys(PAL)	0 ~ 255	-	-	-	-	200	200	Fix
OSD	RANGE	SIM-812MA3	812MAD	SIM-806MA3		SIM-812EA1	SIM-806E11	Remarks
		CIS 29" Flat SKD CKD	29" Flat	34" Flat	29" Flat	29" Flat	29" Flat	
Peak Threshold	0 ~ 255	185	185	185	185	185	185	Fix
Soft Limit Slope B	0 ~ 15	5	5	5	5	5	5	Fix
Hard Limit	0 ~ 4	180	180	180	180	180	180	Fix
Peak Video Ref	0 ~ 255	0	0	0	0	0	0	Fix
Peak Video Gain	0 ~ 5	0	0	0	0	0	0	Fix
ACC Ref=(PAL/NTSC)	0 ~ 40	33	33	39	33	33	33	Fix
ACCR(SECAM)	0 ~ 39	39	39	33	39	39	39	Fix
Gain1(Video)	0 ~ 31	31	31	31	31	31	31	Fix
Delay1(Video)	0 ~ 15	3	3	3	3	3	3	Fix
Velocity Limit	0 ~ 127	127	127	127	127	127	127	Fix
Velocity Delay	0 ~ 15	7	7	7	7	7	7	Fix
Velocity Coring	0 ~ 15	3	3	3	3	3	3	Fix
RGB Shift	0 ~ 255	-	-	-	-	-	-	Fix
HB START	0 ~ 3	121	117	115	117	117	117	Fix
HB STOP	0 ~ 255	173	168	169	168	168	168	Fix
2H CombFilter	0 ~ 1	1	1	1	1	1	1	Fix
NR Off Value	0 ~ 10	0	0	0	0	0	0	Fix
Color hys(SECAM)	0 ~ 255	166	166	166	166	-	-	Fix
Color hys(PAL)	0 ~ 255	200	-	200	200	-	-	Fix



4-8-2(F) OPTION

No.	OSD	Function
1	System	Select the Broadcasting System - CZ : PAL/SECAM-B/G,D/K,I,L CW : It is added SECAM-L function in CZ
2	AV by CH Key	On : It can select AV Mode for CH key in case that the number of Pannel key is 5. Off : In case that it is AV key in pannel
3	Sound	Select the sound system, for example A2-Stereo/Nicam,V-dolby,Mono, L-StereoIn case of using MSP3411G and V-Dolby MSP3400D/MSP3410, select A2-Stereo/Nicam
4	CRT	Select P-Size Mode
5	AV Mode	Select EXT Jack (RCA/SCARTS-1,2,S-VIDEO,DVD)
6	Speaker	Select the Speaker . If Dome speaker, Select 'Dome Spk'. If Non Dome speaker, select 'Non Dome Spk
7	TTX TOP	Select TOP TTX On/Off
8	X-Ray	Select X-Ray On/Off (On : USA, Of f: Other )
9	Tilt Control	Select Tilt On/Off
10	Auto FM	On : In Nicam Broadcasting Channel, If it happened 'Nicam Ident check bits error'or 'Sound Noise', Set Auto FM Mode. Of f :In Nicam Broadcasting Channel, Keep Nicam Mode till Nicam Ident Check bits are perfectly Off .
11	Text Language	West Europe : English/German/Skandinavian/Italian/French/Spainsh/Czech East Europe : Polish/Czech/Rumanian/Slovenian/Croatian//French/Skandinavian/German/Italian Russian : Russian/Ukranian/Estonian/Czech/German/Lettish/English Greek-Turkey : English/Turkey/Greek/French/Skandinavian/German/Spainsh/Italian/ Arabic : English/Arabic/French Farsi : English/Farsi/French Arab-Hebrew : Arabic/Hebrew
12	AKB	AKB(Auto kined bias) On/Off
13	Language	Select OSD Language Arab : English/Arabic/French/Pakistan≤i Libya : English/French/Libya≤iIran : English/French/Persia≤i/Turkey CIS : English/Russian
14	PIP	Select 1T-PIP, 2T-PIP or PIP Off
15	LNA	If LNA(Low Noise Amplitude) Tuner, Set 'On'. : TCLS
16	Equalizer	Equalizer ON/OFF.
17	High Deviate	On :If it happened 'Sound click' Noise cause that the input signal from TV Station has been over modulated,Set 'ON'. Off : Normal input Signal
18	TTX On/OFF	Select TTX On/Off

**Note 6. Sound IC & System**

Sound	IC601
A2/NICAM	MSP3400D, MSP3410D
V-DOLBY	MSP3411G
Mono	Not used this mode for KS3A Chassis
L-Stereo	

OSD	INITIAL DATA								
	SIM-806EW1(SEH)			SIM-806EW1(HQ)					
	4:3 WIDE MODEL	28" WIDE Flat	32" WIDE Flat	CW29A7	CZ29A6	CZ29A7	CZ29A6	CZ21A8	CW21A8
System	Option	CW	CW	CW	CZ	CZ	CZ	CZ	CZ
AV by CH Key	On	On	On	Off	Off	Off	Off	Off	On
Sound	Option	V.Dolby	V.Dolby	A2/NICAM	A2/NICAM	A2/NICAM	V.Dolby	A2/NICAM	A2/NICAM
CRT	4:3	Wide	Wide	4:3	4:3	4:3	4:3	4:3	4:3
AV Mode	2Scart	2Scart	2Scart	2Scart	2Scart	2Scart+S	2Scart	2Scart	2Scart
Speaker	Non	Non	Non	Dome spk	Dome spk	Dome spk	Dome spk	Non	Non
TTX TOP	Off	Off	Off	Off	Off	Off	Off	Off	Off
X-Ray	Off	Off	Off	Off	Off	Off	Off	Off	Off
Tilt Control	Off	On	On	On	On	On	On	Off	Off
Auto FM	On	On	On	On	On	On	On	On	On
AKB	On	On	On	On	On	On	On	On	On
Text Language	West	West	West	-	-	-	-	-	-
OSD	SIM-812MA3								
	29A5WT8X	29A6PF8X	29K3WT8X	29A6WT8X	29A6PF8X	29A6PFBX	29A6WT8X		
Language	Arab	Iran	CIS	CIS	Arab	Arab	Iran		
Sound	V.Dolby	V.Dolby	A2/Nicam	A2/Nicam	V.Dolby	V.Dolby	V.Dolby		
CRT	4:3	4:3	4:3	4:3	4:3	4:3	4:3		
AV Mode	2RCA+S	2RCA+S	2Scart+S	2Scart+S	2RCA+S	2RCA+S+D	2Scart+S		
X-Ray	Off	Off	Off	Off	Off	Off	Off		
Tilt Control	On	On	On	On	On	On	On		
Auto FM	Off	Off	Off	Off	Off	Off	Off		
PIP	Off	2-Tuner	Off	Off	2-Tuner	2-Tuner	Off		
Txt Language	Arabic	Farsi	Russian	Russian	Arabic	Arabic	Reek-Turkey		
LNA	Off	On	On	On	On	On	Off		
Equalizer	On	On	On	On	On	On	On		
High Deviate	On	On	Off	Off	On	On	On		
TTX On/Off	On	On	On	On	On	On	On		
AV by CH Key	On	Off	On	Off	Off	Off	Off		
OSD	SIM-812MA3				SIM-806MA3				
	29A5WTBX	29A6PFBX	29A5PF8C	29A6NTBX	34D2GNBX	29A6GWBX			
Language	Arab	Iran	Arab	Iran	Iran	Arab			
Sound	V.Dolby	V.Dolby	V.Dolby	V.Dolby	A2/Nicam	Virtual Dolby			
CRT	4:3	4:3	4:3	4:3	4:3	4:3			
AV Mode	2RCA+S+D	2RCA+S+D	2Scart+S	2RCA+S+D	2RCA+D	2RCA+S+D			
X-Ray	Off	Off	Off	On	On	Off			
Tilt Control	On	On	On	On	Off	On			
Auto FM	Off	Off	Off	Off	Off	Off			
PIP	Off	2-Tuner	2-Tuner	Off	1-Tuner	1-Tuner			
Txt Language	Arabic	Farsi	Arabic	East Euripe	West Europe	Arabic			
LNA	Off	On	On	Off	Off	Off			
Equalizer	On	On	On	On	On	On			
High Deviate	On	On	On	Off	On	On			
TTX On/Off	On	On	On	On	Off	On			
AV by CH Key	On	Off	On	Off	On	Off			

OSD	INITIAL DATA					
	SIM-812EA1					
	29A7NTBX	29A5WBX	29A5NTBX	29K3WTBX	29K3WBX	29A7PFBX
Language	ESASIA	ESASIA	ESASIA	ESASIA	ESASIA	ESASIA
Sound	V.Dolby	V.Dolby	V.Dolby	A2/Nicam	A2/Nicam	V.Dolby
CRT	4:3	4:3	4:3	4:3	4:3	4:3
AV Mode	2RCA+S+D	2RCA+S+D	2RCA+S+D	2RCA+S+D	2RCA+S+D	2RCA+S+D
X-Ray	Off	Off	Off	Off	Off	Off
Tilt Control	On	On	On	On	On	On
Auto FM	Off	Off	Off	Off	Off	Off
PIP	Off	Off	Off	Off	Off	2-Tuner
Txt Language	West	West	West	West	West	West
LNA	Off	Off	Off	Off	Off	On
Equalizer	On	On	On	On	On	On
High Deviate	Off	Off	Off	Off	Off	Off
TTX On/Off	On	Off	On	Off	Off	On
AV by CH Key	Off	On	On	Off	On	Off
AKB	-	-	-	-	-	-
OSD	SIM-812MAD					SIM-806E1
	29A5PFBX	29A6NTBX	29A7PNBX	29A6MT8X	29A5MT8X	29A7PFBX
Language	ESASIA	ESASIA	ESASIA	CIS	CIS	-
Sound	V.Dolby	V.Dolby	V.Dolby	A2/Nicam	A2/Nicam	V.Dolby
CRT	4:3	4:3	4:3	4:3	4:3	4:3
AV Mode	2RCA+S+D	2RCA+S+D	2RCA+S+D	2Scart+S	2Scart+S	2RCA+S+D
X-Ray	Off	Off	Off	Off	Off	Off
Tilt Control	On	On	On	On	On	On
Auto FM	Off	Off	Off	Off	Off	On
PIP	2-Tuner	Off	2-Tuner	2T-D/W	2T-D/W	2-Tuner
Txt Language	West	West	West	Russian	Russian	-
LNA	On	Off	On	On	On	On
Equalizer	On	On	On	On	On	On
High Deviate	Off	Off	Off	Off	Off	On
TTX On/Off	On	On	Off	On	On	-
AV by CH Key	On	Off	On	Off	On	Off
AKB	-	-	-	-	-	On

## 4-8-2(G) G2-ADJUST

No.	OSD	Function	Remark
1	MRCR	Measurement Result Resisters; Cutoff/Leakage Red	Measure data
2	MRCG	Measurement Result Resisters; Cutoff/Leakage Green	Measure data
3	MRCB	Measurement Result Resisters; Cutoff/Leakage Blue	Measure data
4	MRWDG	Measurement Result Resisters; White Drive	Measure data
5	IBRM	Internal Brightness, Measurement (0 .. 511), the center value is 256, the brightness for measurement can be set to measure at higher cutoff current. The measurement brightness is independent of the drive values."	G2 Voltage of CRT
6	WDRV	White Drive Measurement Control; RGB Values for White Drive Beam Current Measurement	Fix
7	CDL	Cathode Drive Level Uses the same register as the RGB drive in Video adjust-1.	Fix
8	COL(G)	Cutoff Level Red Uses the same register as the RED cutoff in Video adjust-1.	Fix
9	COL(G)	Cutoff Level GreenUses the same register as the GREEN cutoff in Video adjust-1.	Fix
10	COL(B)	Cutoff Level BlueUses the same register as the BLUE cutoff in Video adjust-1.	Fix

After setting COL/CDL/WDRV/IBRM to each spec of models, adjust the screen VR till the color of MRCR/MRCG/MRCB/MRWDG becomes green

OSD	RANGE	INITIAL DATA										Remarks
		SIM-806EW1(SEH)										
		21" 4:3 SED AK	21" 4:3 Tho AK	25" 4:3 SED AK	25" 4:3 Tho AK	28" 4:3 Tho Ak	29" 4:3 SED Flat	24" WIDE Phi Ak	24" WIDE Tho Invar	28" WIDE Tho Ak		
MRCR	0 ~ 255	-	-	-	-	-	-	-	-	-	-	Measure data
MRCG	0 ~ 255	-	-	-	-	-	-	-	-	-	-	Measure data
MRCB	0 ~ 255	-	-	-	-	-	-	-	-	-	-	Measure data
MRWDG	0 ~ 255	-	-	-	-	-	-	-	-	-	-	Measure data
IBRM	0 ~ 255	208	198	207	208	197	208	197	204	214		G2 Vlotage of CRT
WDRV	0 ~ 255	117	120	108	114	105	42	124	118	98		Fix
CDL	0 ~ 255	166	140	188	160	149	230	140	150	148		Fix
COL(R)	0 ~ 255	76	125	115	152	100	160	88	176	215		Fix
COL(G)	0 ~ 255	76	125	115	152	100	160	88	176	215		Fix
COL(B)	0 ~ 255	76	125	115	152	100	160	88	176	215		Fix
OSD	RANGE	SIM-806EW1(SEH)					SIM-806EW1(HQ)					Remarks
		28" WIDE Tho Invar	32" WIDE Tho Invar	28" WIDE SED Flat	32" WIDE Pin Flat	32" WIDE Tho Flat	29" Flat	21" Flat	25" Flat	LG Pin Free Set		
MRCR	-	-	-	-	-	-	-	-	-	-	-	Measure data
MRCG	-	-	-	-	-	-	-	-	-	-	-	Measure data
MRCB	-	-	-	-	-	-	-	-	-	-	-	Measure data
MRWDG	-	-	-	-	-	-	-	-	-	-	-	Measure data
IBRM	0 ~ 255	211	211	205	200	230	220	220	220	240		G2 Vlotage of CRT
WDRV	0 ~ 255	105	93	43	95	88	40	35	40	55		Fix
CDL	0 ~ 255	200	250	197	210	233	210	165	200	255		Fix
COL(R)	0 ~ 255	180	180	142	125	198	150	70	150	160		Fix
COL(G)	0 ~ 255	180	180	152	125	198	150	70	150	160		Fix
COL(B)	0 ~ 255	180	180	197	125	198	150	70	150	160		Fix
OSD	RANGE	SIM-812MA3			SIM-812MAD	SIM-806MA3		SIM-812EA1	SIM-812E11	Remarks		
		29" Flat	CIS 29" Flat	CIS 29" Flat SKD CKD	29" Flat	29" Flat	34" Flat	29" Flat	29" Flat			
MRCR	0 ~ 255	-	-	-	-	-	-	-	-	Measure data		
MRCG	0 ~ 255	-	-	-	-	-	-	-	-	Measure data		
MRCB	0 ~ 255	-	-	-	-	-	-	-	-	Measure data		
MRWDG	0 ~ 255	-	-	-	-	-	-	-	-	Measure data		
IBRM	0 ~ 255	220	220	220	220	200	220	220	220	G2 Vlotage of CRT		
WDRV	0 ~ 255	35	35	35	35	35	3	35	35	Fix		
CDL	0 ~ 255	220	220	220	220	160	220	220	220	Fix		
COL(R)	0 ~ 255	150	150	150	150	200	150	150	150	Fix		
COL(G)	0 ~ 255	150	150	150	150	200	150	150	150	Fix		
COL(B)	0 ~ 255	150	150	150	150	200	150	150	150	Fix		

After setting COL/CDL/WDRV/IBRM to each spec of models, adjust the screen VR till the color of MRCR/MRCG/MRCB/MRWDG becomes green

## 4-8-2(H) OTHERS

No.	OSD	Function
1	VSU	Vertical Setup Time. Delays the vertical sync to solve the jitter of OSD and TTX . Check OSD while varying 96 ~ 111 step by step and an 1H line moves at two points. If the value is set at the first point or second point, an OSD jitter may happen. Also, if the value is set between the first and second points, a TTX jitter may happen. So, the value of VSU should be set after giving some margins (three steps).
2	H QEW	Short for Q-CRT HORIZONTAL EAST WEST, data used only for Q-CRT MODEL. In NORMAL mode, the horizontal picture size is within 5 ~ 5.5. In Q mode, the horizontal picture size is within 6.5 ~ 7. This H QEW function sets the gap between horizontal picture size in NORMAL mode and horizontal picture size in Q mode.
3	H ZOOM PARABOLA	In ZOOM mode of P-SIZE, Adjusts vertical linearity. Each CRT has a different data. (Refer 'other' data)
4	H 16:9 PARABOLA	In 16:9 mode of P-SIZE, Adjusts vertical linearity. Each CRT has a different data. (Refer 'other' data)
5	TTX H SHIFT	Adjusts TTX horizontal position
6	MONO SOUND SYSTEM	NOT USED, KS3A chassis has no function of Mono sound system.
7	V SLICE LEVEL	Allows the sync slice level of sync separate block to be changed. This item corresponds the case where a vertical bouncing happens according to signal conditions by area. (overmodulation, especially). 0: 100% 1: 90% 2: 75% 3: 60%
8	MELODY VOLUME	Sets the level of melody volume in Picture ON. It is managed differently according to buyer or area.
9	AKB	Short for Auto Kined Bias, a function that maintains uniformity in brightness and white balance by automatically correction the variance of brightness and white balance according to temperature and characteristics of AMP in the CRT drive
10	TTX LIST PRIOR	TTX mode has two different types; List and FLOF. When switching into the TTX mode, this function determines which type has priority. On : Australia Off : others country
11	MAIN NEWLIN	Controls the picture compressing rate.
12	Main PFGHB	Controls the horizontal blanking when the picture size compressed.
13	PIP BLKLR	PIP blanking level red (PIP low light white balance). Adjust low light white balance of PIP.
14	PIP BLKLB	PIP blanking level blue (PIP low light white balance). Adjust low light white balance of PIP.
15	PIP PKLR	PIP peak white level Red. Adjusts high light white balance of PIP.
16	PIP PKLG	PIP peak white level Green. Adjusts high light white balance of PIP.
17	PIP PKLB	PIP peak white level Blue. Adjusts high light white balance of PIP.

**SIM-806EW doesn't have this function**

OSD	RANGE	INITIAL DATA					Remarks
		SIM-812MA3		SIM-812MAD	SIM-806MA3		
		29" Flat	29" Flat DVD	CS29A6MT	34" Flat	29" Flat	
SU	96 ~111	100	100	100	102	100	Fix
H QEW	-30 ~ 30	0	0	0	0	0	Fix
H ZOOM Parabola	-30 ~ 30	8	13	13	13	13	Fix
H 16:9 Parabola	-30 ~ 30	-15	-17	-20	-17	-17	Fix
TTX H Shift	-30 ~ 30	6	6	6	6	6	Fix
Mono sound system	BG	BG	BG	BG	BG	BG	Fix
V Slice Level	0 ~ 3	2	2	2	3	2	Fix
Melody Volume	0 ~ 20	8	8	8	10	8	Fix
AKB	On/Off	On	On	On	Off	On	Fix
TTX List Prior	On/Off	-	-	-	-	-	Fix
Main Newlin	40 ~ 100	-	-	87	-	-	Fix
Main PFGHB	146 ~ 206	-	-	190	-	-	Fix
PIP BLKLR	0 ~ 15	-	-	5	-	-	Fix
PIP BLKLB	0 ~ 15	-	-	5	-	-	Fix
PIP PKLR	155 ~ 255	-	-	255	-	-	Fix
PIP PKLG	155 ~ 255	-	-	255	-	-	Fix
PIP PKLB	155 ~ 255	-	-	255	-	-	Fix
OSD	RANGE	SIM-812EA1			SIM-806E11		Remarks
		Southeast Asia 29" Flat DVD	Australia, Newzealand 29" Flat dvd	Thailand 29" Flat DVD	India 29" Flat DVD		
SU	96 ~111	100	100	100	100	100	Fix
H QEW	-30 ~ 30	0	0	0	0	0	Fix
H ZOOM Parabola	-30 ~ 30	13	13	13	13	13	Fix
H 16:9 Parabola	-30 ~ 30	-17	-17	-17	-20	-20	Fix
TTX H Shift	-30 ~ 30	6	6	6	10	10	Fix
Mono sound system	BG	BG	BG	BG	M	M	Fix
V Slice Level	0 ~ 3	2	2	3	2	2	Fix
Melody Volume	0 ~ 20	8	8	10	8	8	Fix
AKB	On/Off	On	On	On	-	-	Fix
TTX List Prior	On/Off	On	Off	On	-	-	Fix
Main Newlin	40 ~ 100	-	-	-	-	-	Fix
Main PFGHB	146 ~ 206	-	-	-	-	-	Fix
PIP BLKLR	0 ~ 15	-	-	-	-	-	Fix
PIP BLKLB	0 ~ 15	-	-	-	-	-	Fix
PIP PKLR	155 ~ 255	-	-	-	-	-	Fix
PIP PKLG	155 ~ 255	-	-	-	-	-	Fix
PIP PKLB	155 ~ 255	-	-	-	-	-	Fix

## 4-8-2(I) Y-ADD

No.	OSD	Function
1	H-BOW	Horizontal bow control (Refer to bottom picture) actually no active function.
2	H-ANGLE	Horizontal angle control (Refer to bottom picture) actually no active function.
3	H-DSCC	Discharge sample counter for deflection retrace.
4	DVD TINT CONTROL	Determines whether DVD SUB TINT control is used. VDP3130Y B1 is set to '1' and B2 is set to '0'.
5	DVD SUB TINT	Adjusts the color phase in the Picture standard mode and receives a NTSC DVD signal.
6	EHT OFFSET	EHT Compensation east/west offset coefficient (Not used)
7	EHT HORIZONTAL	EHT Compensation east/west gain coefficient (Not used)
8	VDPY B2 Version	Selects the VDP3130Y IC version. B2 version is set 'ON,' but B1 version is set 'OFF.'

## ① H- BOW



## ② H- ANGLE



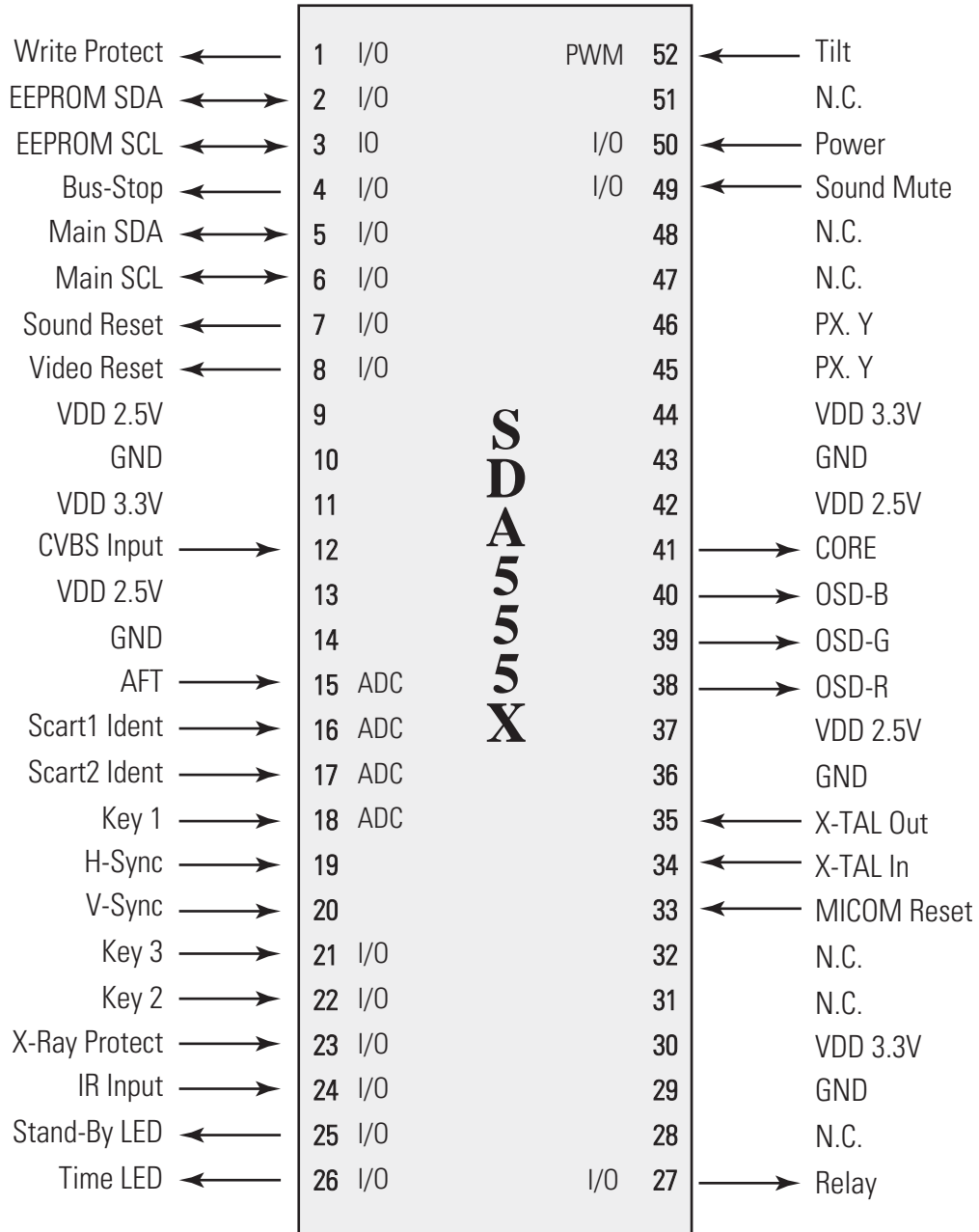
**SIM-806EW doesn't have this function**

OSD	INITIAL DATA								Remarks	
	SIM-812MA3		SIM-812MAD		SIM-806MA3		SIM-812EA1			SIM-806E11
	29" Flat	29" Flat DVD	CS29A6MT	34" Flat	29" Flat	29" Flat DVD (VDP3130Y B1)	29" Flat DVD (VDP3130Y B2)	India 29" Flat DVD		
H-BOW	0	0	0	0	0	0	0	0	Fix	
H-ANGLE	0	0	0	0	0	0	0	0	Fix	
H-DSCC	3	3	3	3	3	3	3	3	Fix	
DVD TINT CONTROL	1	1	1	1	1	1	0	0	Fix	
DVD SUB TINT	25	25	25	25	25	25	25	25	Fix	
EHT OFFSET	0	0	0	0	0	0	0	0	Fix	
EHT HORIZONTAL	0	0	0	0	0	0	0	0	Fix	
VDPY 32 Version	Off	On	Off	Off	Off	Off	On	On	Fix	



## 4-9 MICOM

### 4-9-1 Pin Layout



## 4-9-2 Pin Assignment Specification

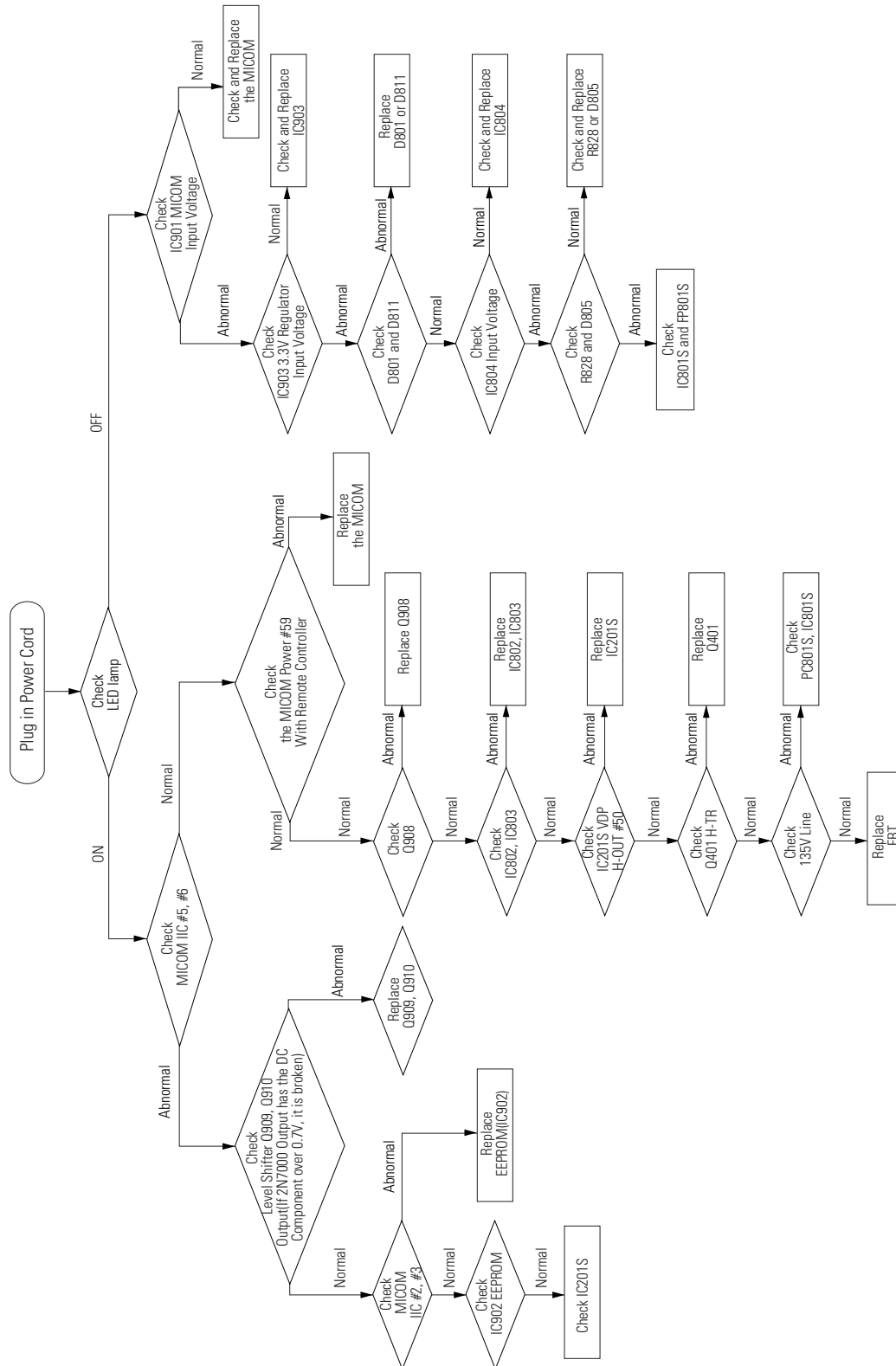
PIN NO	FUNCTION	ASSIGN	IN/OUT	ACTIVE H/L	DESCRIPTION
1	I/O	Write Protect	Out	Low	EEPROM Write Protection
2	I/O	ROM SDA	I/O		EEPROM Serial Data Line
3	I/O	ROM SCL	I/O		EEPROM Serial Clock Line
4	I/O	Bus Stop	In	Low	Disable Micom IIC
5	I/O	Main SDA	I/O		Peripheral IC Serial Data Line
6	I/O	Main SCL	I/O	Low	Peripheral IC Serial Clock Line
7	I/O	Sound Reset	Out	Low	MSP IC Initial Control
8	I/O	Video Reset	Out		VDP IC Initial Control
9	Vdd	VDD 2.5V			
10	GND				
11	Vdd	VDD 3.3V			
12	CVBS	CVBS Input	In		TTX CVBS Input
13	Vdd	VDD 2.5V			Analog B+
14	GND				Analog Ground
15	ADC	AFT	In		Auto Fine Tuning Control
16	ADC	SC1-ID	In		Scart1 Ident
17	ADC	SC2-ID	In		Scart2 Ident
18	ADC	Key1	In		Key1 Input
19	HS	H-Sync	In		Horizontal Sync Input
20	VS	V-Sync	In		Vertical Sync Input
21	I/O	Key3	In		Key3 Input
22	I/O	Key2	In		Key2 Input
23	I/O	X-Ray	In		X-Ray Protection
24	I/O	IR-In	In		Remocon Signal Input
25	I/O	STD-LED	Out		LED Drive Output(Red)
26	I/O	TIM-LED	Out		LED Drive Output(Green)

**4-9-2 Pin Assignment Specification (Continued)**

<b>PIN NO</b>	<b>FUNCTION</b>	<b>ASSIGN</b>	<b>IN/OUT</b>	<b>ACTIVE H/L</b>	<b>DESCRIPTION</b>
27	I/O	Relay	Out	Low	Activate Degaussing Coil
28	N.C.				Not Used (Programmed Gound Level)
29	GND				Analog Ground
30	Vdd	VDD 3.3V			Not Used (Programmed Gound Level)
31	N.C.				Not Used (Programmed Gound Level)
32	N.C.				Micom Hardware Reset
33	Reset	Reset	In	Low	Crystal Oscillation Input
34	X-In	X-TAL In	In	6MHz	Crystal Oscillation Output
35	X-Out	X-TAL Out	Out	6MHz	Analog Ground
36	GND				Analog B+
37	Vdd	VDD 2.5V			OSD/TTX Output (Red)
38	R	OSD-R	Out		OSD/TTX Output (Green)
39	G	OSD-G	Out		OSD/TTX Output (Blue)
40	B	OSD-B	Out		Fast Blank/Half Contrast Output
41	COR	CORE	Out		
42	Vdd	VDD 2.5V			
43	GND				
44	Vdd	VDD 3.3V			
45	I/O	PX.Y	In		When The Caption Function Adopted, Used.
46	I/O	PX.Y	Out		
47	N.C.				Not Used (Programmed Gound Level)
48	N.C.				
49	I/O	S-Mute	Out	High	Sound Amp Mute
50	I/O	Power	Out	Low	Picture On/Off Control
51	N.C.				Not Used (Programmed Gound Level)
52	I/O	Tilt	Out	PWM	Tilt Control Output

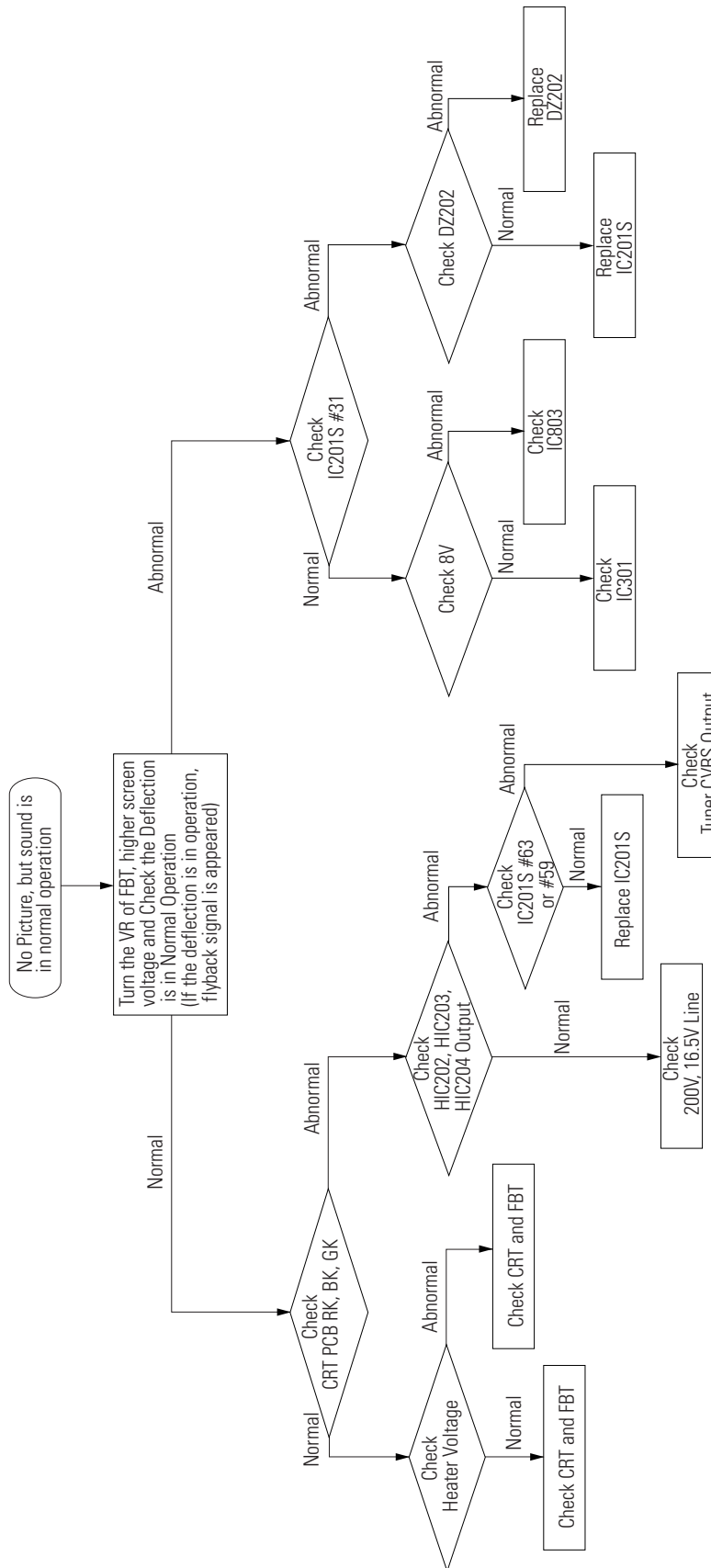
# 5. Troubleshooting

## 5-1 No Power

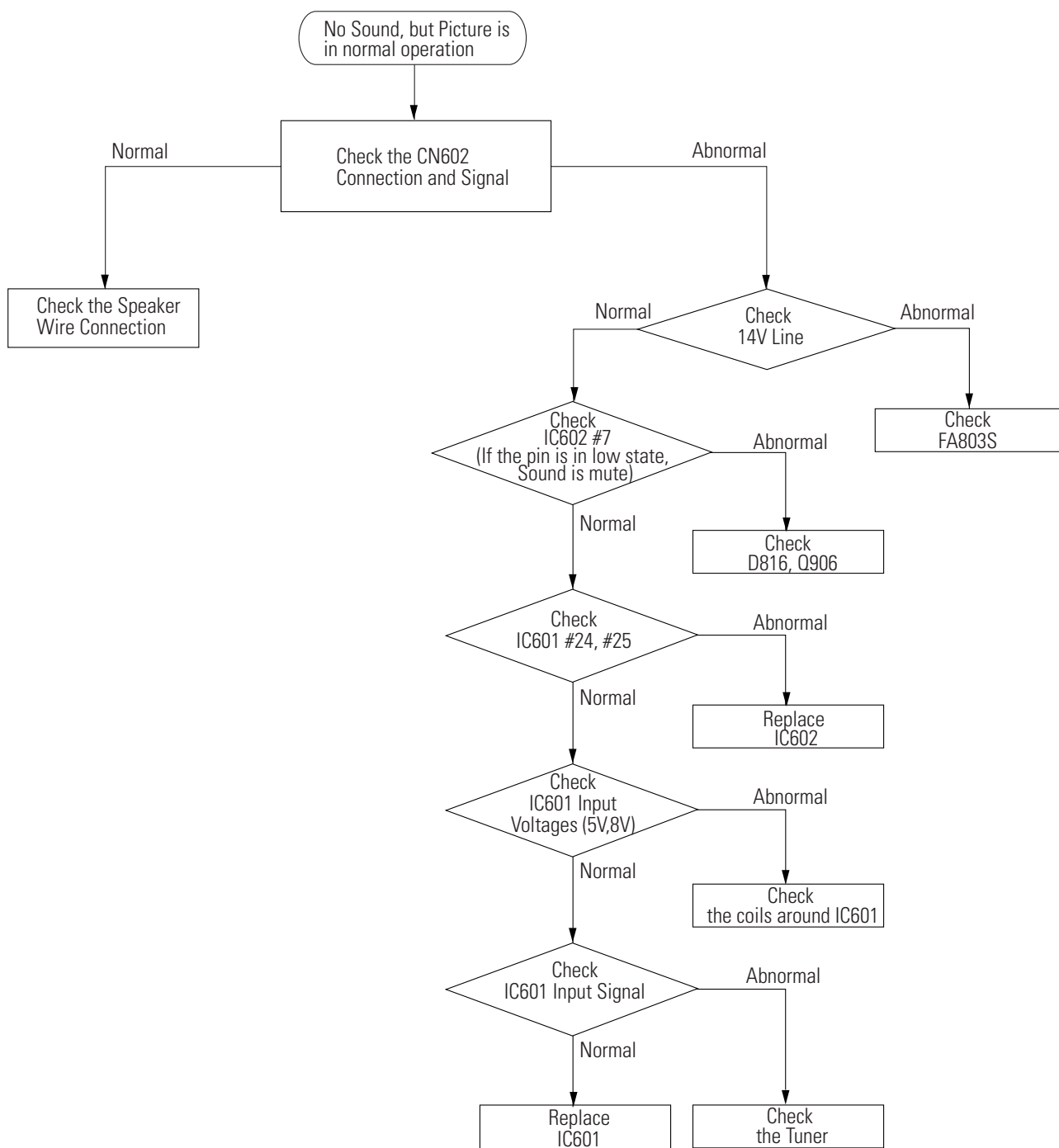


**Note :** When you check whether any component is normal, you must let the output pin be open in order not to be affected by the side of output.

## 5-2 No Picture



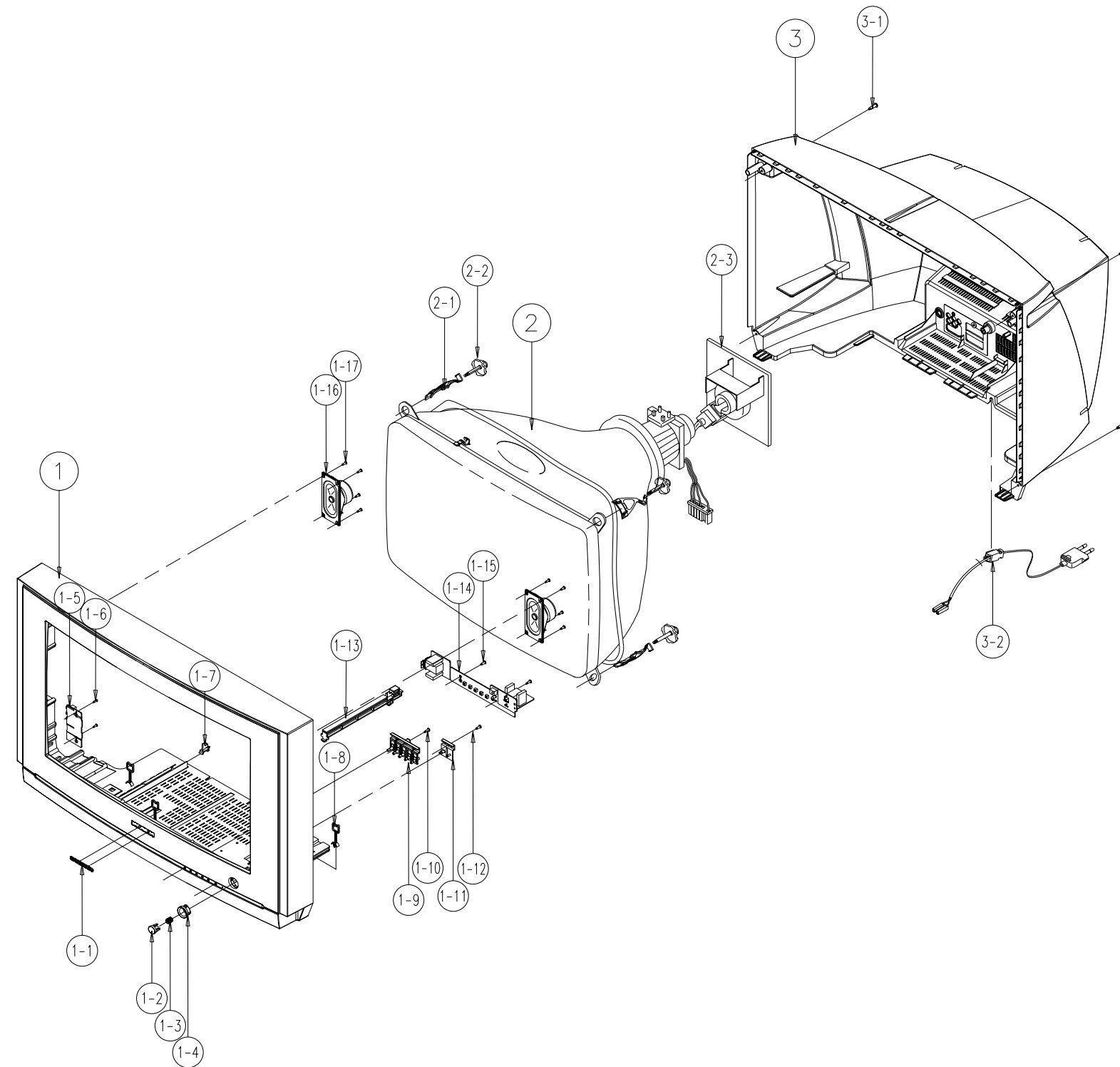
## 5-3 No Sound



# MEMO

## 6. Exploded View & Parts List

### 6-1 WS28V53NS8XXEC(32V5)



No	Code No	Description;Specification	Q'ty	Remark	S.N.A
1	HA91-05147D	ASSY CABINET FRONT;28V5,KS3A,COR-PROT,H	1		
1*	AA64-02996D	CABINET-FRONT;28V5,HIPS,HB,SV012P-II,COR	1		
1-1	AA64-70117B	BADGE-BRAND;-AL,-,-,L65,R2000,SILVER,SS	1		
1-2	AA64-02999A	KNOB POWER;28/32V5,HIPS,HB,GRY	1		
1-3	AA61-60003J	SPRING ETC-CS;-SUS304,-,-,OD6,N7,OD6,-,	1		
1-4	AA64-03001A	DECORATION-POWER;28/32V5,HIPS,HB	1		
1-5	AA95-01518A	ASSY ETC-PCB A/V BOARD;29K8,KS3A,50HZ	1		
1-6	6003-001019	SCREW-TAPTITE;RH,+,B,M4,L12,ZPC(BLK),SWR	2	CF+PCB	
1-7		STOPPER-PCB			
1-8	AA65-30105A	CLAMPER CORE-WIRE;ALL MODEL,NYLON 66,V2,	2		
1-9	AA64-02998A	KNOB CONTROL;28/32V5,HIPS,HB,GRY	1		
1-10	6003-001019	SCREW-TAPTITE;RH,+,B,M4,L12,ZPC(BLK),SWR	1	KC+CF	
1-11	AA64-03002A	WINDOW-RMC,LED;28/32V5,PC,CLR	1		
1-12	6003-001019	SCREW-TAPTITE;RH,+,B,M4,L12,ZPC(BLK),SWR	1	WR+CF	
1-13	HA61-00711C	HOLDER-PCB;29K8,HIPS,HB,GRY	1		
1-14	AA95-01752B	ASSY SUB-PCB CONTROL;29M6,KS3A,AA95-0140	1		
1-15	6003-001019	SCREW-TAPTITE;RH,+,B,M4,L12,ZPC(BLK),SWR	3	CF+PCB	
1-16	3001-001005	SPEAKER;10W,80HM,91DB,140HZ	2		
1-17	6002-000515	SCREW-TAPPING;RH,+,2,M4,L15,ZPC(WHT),SWR	8	CF+SPK	
2	HA94-01652A	ASSY CRT;-,-,28,ITC,W66EJU023X215,NON-	1		
2-1	AA65-00009B	CLAMPER CORE-D,COIL;21A8,NYLON 66,V0,-,-	4	CRT	
2-2	AA60-10050V	SCREW-ASSY;-SWRCH18A,M6,L30,HH,+,WC,-,Z	4	CRT+CF	
2-3	3704-000114	SOCKET-CRT;14P;29.1,35.5,SN,ISH09S/BK	1	VA999	
3	HA64-02530C	CABINET-BACK;28M6,VL-1823,GRY	1		
3-1	6002-000515	SCREW-TAPPING;RH,+,2,M4,L15,ZPC(WHT),SWR	6	CB+CF	
3-2	AA96-01126B	ASSY POWER CORD;DP,AA39-10001G,CP2,H/C40	1		



## 7. Electrical Parts List

### 7-1 WS28V53NS8XXEC

Level	Loc. No.	Code No.	Description ; Specification	Remark	Level	Loc. No.	Code No.	Description ; Specification	Remark
<b>ASSY PCB MAIN(OPT)</b>									
	1	AA94-05586B	ASSY PCB MAIN(OPT);WS28W7N,KS3A/H,TH,AK		2	Q402	0502-001007	TR-POWER;KSC2073-H2,NPN,25W,TO-220,ST,6	
△	2	T801S	AA26-00046A	TRANS SWITCHING;---,AC90-260V,DC135/16	△	2	PC801S	0604-001038	PHOTO-COUPLER;TR,130-260V,200mV,DIP-4,ST
△	2	IC201S	1204-001634	IC-VIDEO PROCESS;VDP3120B-C3,DIP64P,-,P	△	2	NT802S	1404-001045	THERMISTOR-NTC;4.7ohm,15%,2900K,35.0mV/V,T
2	HC401	HA96-00275A	AA62-00051A	ASSY-H/S;---,COMPLEX,AA62-00051A,KSJD5703,	2	C815	2401-003602	C-AL;220uF,20%,160V,GP,BK,22x25mm,1	
3			AA62-00051A	HEAT SINK-PS;---,SILVER,HOLE 31mm,ALL,	△	2	CY802S	2201-002002	C-CERAMIC,DISC;4.7nF,20%,400V,Y5U,TP,16x
△	3	D414	0402-001296	DIODE-RECTIFIER;FMP-3FU,1.5KV,5A,TO-3PF,	2	JA701	3722-000195	JACK-SCART;42P,-,SN,BLK,NO	
3	Q401	0502-001136	6003-000333	TR-POWER;KSD5703,NPN,70W,TO-3PF,ST,8-	2	C820	2401-003076	C-AL;3300uF,20%,50V,WVP,BK,18x35.5mm	
3			AA60-30001A	SCREW-TAPTITE;RH,+2S,M3,L10,ZPC(YEL),SW	2	R807	2006-001083	R-CEMENT;120ohm,5%,5W,CJ,TP;14x10x27mm	
3			0205-000129	GREASE-SILICON;SC102,JAPAN	2	L808	AA27-10002L	COIL CHOKE;-24uH,K,-2A,-,24UH-K,10x10m	
△	2	T401	AA26-50001L	TRANS-HORIZ.DRIVE;---,29mH,-,133uH,-	△	2	IC401	1202-000103	IC-VOLTAGE COMP;393,DIP8P,300MIL,DUAL
△	2	TU01S	AA40-00079A	TUNER;TCPW3001PD16A(S),PAL,181CH,38.	2	Q404	HA96-00437A	ASSY-H/S;ASSY-H/S;AA62-00076A,IRF620	
2	IC602	HA96-50369B	0205-000129	GREASE-SILICON;SC102,JAPAN	2		0505-000156	FET-SILICON;IRF620,N,200V,5A,0.8ohm,50W,	
3			1201-001064	IC-POWER AMP;7297,ZIP,15P,-,DUAL,32dB,PL	3		6003-000333	SCREW-TAPTITE;RH,+2S,M3,L10,ZPC(YEL),SW	
3			AA62-30181F	HEAT SINK-ES;-AL6063 EXTR.,2,WHT,50MM,-	3		HA62-00076A	HEAT SINK;AL,100Hz,T1.0,10,40	
3			6003-000333	SCREW-TAPTITE;RH,+2S,M3,L10,ZPC(YEL),SW	3		AA98-00245A	ASSY SUB PART;S51A,PCB MAIN(OPT)	
3			0205-000129	GREASE-SILICON;SC102,JAPAN	2		0202-001222	SOLDER-WIRE FLUX;RS-107,RS60-1.2AA,D1.2,	
2	IC601	1204-001775	IC-SOUND PROCESSOR;MSP3410D-C5 9458 ,SDI		3		0202-000187	SOLDER-WIRE FLUX;-RS60S,D1.2,63Sn/37Pb	
△	2	T444S	AA26-00008A	TRANS FBT;-FUH-34A001(S),34INCH,135V	3		0202-001046	SOLDER-WIRE FLUX;CF-110VH-2A,-,---	
△	2	PT801S	1404-001156	THERMISTOR-PTC;90HM,+30%/-20%,220VRMS,27	3		0204-000442	SOLVENT;1M-1000,C3H7OH,96,-	
2	C806	2401-001137	C-AL;330uF,20%,400V,GP,BK,30x45mm,1		2	C105	2301-000383	C-FILM,PEF;10nF,5%,50V,TP,6x7x3.2mm,5mm	
2	L402	AA27-00067A	COIL HORIZ. WIDTH;-240uH,YL9N 12x20 C:6		2	C101	2301-000383	C-FILM,PEF;10nF,5%,50V,TP,6x7x3.2mm,5mm	
2	C405	2306-000357	C-FILM,MPPF;8.2nF,5%,1.6KV,BK,20x9.5x17.		2	C103	2301-000383	C-FILM,PEF;10nF,5%,50V,TP,6x7x3.2mm,5mm	
2	C406	2306-000330	C-FILM,MPPF;7.7nF,3%,1.6KV,TP,28.5x18.5x5		2	C228	2301-000356	C-FILM,PEF;47nF,5%,50V,TP,7.5x4.0x6.5,5m	
2	C426	2306-000235	C-FILM,MPPF;560nF,5%,400V,TP,26*22.5*14,		2	C230	2301-000356	C-FILM,PEF;47nF,5%,50V,TP,7.5x4.0x6.5,5m	
2	L411	AA27-30001F	COIL LINEARITY;-22uH,DR1011,PIO.45,25.5		2	C809	2301-000356	C-FILM,PEF;47nF,5%,50V,TP,7.5x4.0x6.5,5m	
2	L408	AA27-40003L	COIL HORIZ. WIDTH;-1.0mH,DR14x20,2UEV0.		2	C810	2301-000356	C-FILM,PEF;47nF,5%,50V,TP,7.5x4.0x6.5,5m	
2	L405	AA27-00057A	COIL HORIZ. WIDTH;-1.0mH,YL-9N 15x27.5 C		2	C811	2301-000356	C-FILM,PEF;47nF,5%,50V,TP,7.5x4.0x6.5,5m	
2	C423	2301-001192	C-FILM,MPPF;820nF,5%,400V,TP,29x18.5x25.		2	C202	2401-002235	C-AL;10uF,20%,16V,GP,TP,5x11mm,5mm	
△	2	CX801S	2306-000318	C-FILM,MPPF;220nF,20%,250V,TP,-22.5mm	2	C205	2401-002235	C-AL;10uF,20%,16V,GP,TP,5x11mm,5mm	
△	2	LX801S	AA29-00015A	FILTER LINE NOISE;WS32W8,28-20MH 1.5A,+	2	C920	2401-002235	C-AL;10uF,20%,16V,GP,TP,5x11mm,5mm	
2	IC301	HA96-50406B	0205-000129	GREASE-SILICON;SC102,JAPAN	2	C231	2401-002235	C-AL;10uF,20%,16V,GP,TP,5x11mm,5mm	
3			1204-000517	IC-VERTICAL DEF;LA7845,SIP,7P,-,PLASTIC	2	C215	2401-002235	C-AL;10uF,20%,16V,GP,TP,5x11mm,5mm	
3			AA62-30180B	HEAT SINK-ES;-A6063 EXTR.,2,WHT,70MM,-	2	C630	2401-002235	C-AL;10uF,20%,16V,GP,TP,5x11mm,5mm	
3			6003-000333	SCREW-TAPTITE;RH,+2S,M3,L10,ZPC(YEL),SW	2	C631	2401-002235	C-AL;10uF,20%,16V,GP,TP,5x11mm,5mm	
3			0205-000129	GREASE-SILICON;SC102,JAPAN	2	C645	2401-002235	C-AL;10uF,20%,16V,GP,TP,5x11mm,5mm	
2	HC801	HA96-00274A	ASSY-H/S;---,COMPLEX,AA62-00053A,FMLG12S		2	C652	2401-002235	C-AL;10uF,20%,16V,GP,TP,5x11mm,5mm	
3			6003-000334	SCREW-TAPTITE;RH,+2S,M3,L6,ZPC(YEL),SWR	2	C603	2401-002235	C-AL;10uF,20%,16V,GP,TP,5x11mm,5mm	
3			AA62-00053A	HEAT SINK-PS;---,SILVER,HOLE 22mm,ALL,	2	C708	2401-002235	C-AL;10uF,20%,16V,GP,TP,5x11mm,5mm	
△	3	D802	0402-001230	DIODE-RECTIFIER;FMG-G2CS,1000V,3A,TO-220	2	C214	2305-000665	C-FILM,MPEF;100nF,5%,63V,TP,7.5x4.0x5.0m	
△	3	D805	0402-000233	DIODE-RECTIFIER;FML-G12S,200V,5A,-	2	C216	2305-000665	C-FILM,MPEF;100nF,5%,63V,TP,7.5x4.0x5.0m	
△	3	D806	0402-000233	DIODE-RECTIFIER;FML-G12S,200V,5A,-	2	C605	2305-000665	C-FILM,MPEF;100nF,5%,63V,TP,7.5x4.0x5.0m	
△	3	D807	0402-000233	DIODE-RECTIFIER;FML-G12S,200V,5A,-	2	C635	2305-000665	C-FILM,MPEF;100nF,5%,63V,TP,7.5x4.0x5.0m	
△	3	IC802	1203-001006	IC-VOLTAGE REGULATOR;78R05,TO-220F,4P,-	2	C646	2305-000665	C-FILM,MPEF;100nF,5%,63V,TP,7.5x4.0x5.0m	
3			0205-000129	GREASE-SILICON;SC102,JAPAN	2	C829	2305-000665	C-FILM,MPEF;100nF,5%,63V,TP,7.5x4.0x5.0m	
△	2	IC803	1203-001697	IC-VOLTAGE REGULATOR;78R08,TO-220,4P,-,P	2	C837	2305-000665	C-FILM,MPEF;100nF,5%,63V,TP,7.5x4.0x5.0m	
△	2	IC804	HA96-00243C	ASSY-H/S;-REGULATOR,AA62-00045A,KA7806	2	C839	2305-000665	C-FILM,MPEF;100nF,5%,63V,TP,7.5x4.0x5.0m	
3			1203-000284	IC-POS.FIXED REG.;7806,TO-220,3P,-,PLAS	2	C916	2305-000665	C-FILM,MPEF;100nF,5%,63V,TP,7.5x4.0x5.0m	
3			6003-000333	SCREW-TAPTITE;RH,+2S,M3,L10,ZPC(YEL),SW	2	C308	2305-000665	C-FILM,MPEF;100nF,5%,63V,TP,7.5x4.0x5.0m	
3			AA62-00065A	HEAT SINK-PS;DP;---,AA62-00045A,-,---	2	C914	2305-000665	C-FILM,MPEF;100nF,5%,63V,TP,7.5x4.0x5.0m	
3			0205-000129	GREASE-SILICON;SC102,JAPAN	2	C831	2305-000665	C-FILM,MPEF;100nF,5%,63V,TP,7.5x4.0x5.0m	
2	IC902	1103-001171	IC-EEPROM;L51DC,16KBit,DIP,8P,300MIL,10m		2	C825	2305-000665	C-FILM,MPEF;100nF,5%,63V,TP,7.5x4.0x5.0m	
2	IC901	AA09-00181A	IC M/COM;SIM806EW3-A035,SIM806EW3-A035,5		2	C208	2401-001026	C-AL;3.3UF,20%,50V,GP,TP,5X11,5	
△	2	IC801S	HA96-50371C	ASSY H/S;---,AA62-30181H,KA3A1265R,-	2	C217	2401-001026	C-AL;3.3UF,20%,50V,GP,TP,5X11,5	
3			AA13-00101A	IC HYBRID;KA3S1265RD,CN5039,5PIN,-,SOT12	2	C636	2401-001026	C-AL;3.3UF,20%,50V,GP,TP,5X11,5	
3			AA61-10386A	BRACKET-IC;-SECC 100,T1.0,-,---,KA2S068	2	C905	2202-000796	C-CERAMIC,MLC-AXIAL;1NF,10%,50V,Y5P,TP,3	
3			AA62-30197D	HEAT SINK-ES;DP;---,AA62-30181H,-,---	2	C607	2202-000796	C-CERAMIC,MLC-AXIAL;1NF,10%,50V,Y5P,TP,3	
3			6003-000333	SCREW-TAPTITE;RH,+2S,M3,L10,ZPC(YEL),SW	2	C608	2202-000796	C-CERAMIC,MLC-AXIAL;1NF,10%,50V,Y5P,TP,3	
3			HA68-02189A	LABEL-WARNING;33MM,18MM,WHITE	2	C903	2202-000796	C-CERAMIC,MLC-AXIAL;1NF,10%,50V,Y5P,TP,3	
3			0205-000129	GREASE-SILICON;SC102,JAPAN	2	C211	2202-000796	C-CERAMIC,MLC-AXIAL;1NF,10%,50V,Y5P,TP,3	
2	IC903	1203-001944	IC-POS.FIXED REG.;78R1M33,TO-220,3P,-,PL		2	C212	2301-000224	C-FILM,PEF;22nF,5%,50V,TP,7.4x3.9x13mm,5	
2	C407	2301-001338	C-FILM,MPE-PPF;0.68nF,5%,1.6KV,TP,28x7x1		2	C416	2301-000224	C-FILM,PEF;22nF,5%,50V,TP,7.4x3.9x13mm,5	
△	2	D801S	0402-001399	DIODE-BRIDGE;GSIB660,600V,6A,SIP-4,BK	2	C213	2301-000247	C-FILM,PEF;33nF,5%,50V,TP,8.1x4.5x13mm,5	
					2	C218	2202-000632	C-CERAMIC,MLC-AXIAL;100nF,20%,50V,Z5U,TP	
					2	C219	2202-000632	C-CERAMIC,MLC-AXIAL;100nF,20%,50V,Z5U,TP	
					2	C220	2202-000632	C-CERAMIC,MLC-AXIAL;100nF,20%,50V,Z5U,TP	
					2	C221	2202-000632	C-CERAMIC,MLC-AXIAL;100nF,20%,50V,Z5U,TP	

Level	Loc. No.	Code No.	Description ; Specification	Remark	Level	Loc. No.	Code No.	Description ; Specification	Remark
2	C222	2202-000632	C-CERAMIC,MLC-AXIAL;100nF,20%,50V,Z5U,TP		2	C822	2201-000599	C-CERAMIC,DISC;0.56nF,10%,500V,Y5P,TP5.	
2	C223	2202-000632	C-CERAMIC,MLC-AXIAL;100nF,20%,50V,Z5U,TP		2	C818	2401-000722	C-AL;2200uF,20%,25V,WT,TP;16x25,7,5	
2	C901	2202-000632	C-CERAMIC,MLC-AXIAL;100nF,20%,50V,Z5U,TP		2	C910	2201-000980	C-CERAMIC,DISC;0.03nF,5%,50V,NPO,TP;5x3,	
2	C921	2202-000632	C-CERAMIC,MLC-AXIAL;100nF,20%,50V,Z5U,TP		2	C911	2201-000980	C-CERAMIC,DISC;0.03nF,5%,50V,NPO,TP;5x3,	
2	C922	2202-000632	C-CERAMIC,MLC-AXIAL;100nF,20%,50V,Z5U,TP		2	C913	2401-000287	C-AL;100uF,20%,16V,WT,TP;6.3x11,5	
2	C919	2202-000632	C-CERAMIC,MLC-AXIAL;100nF,20%,50V,Z5U,TP		2	C915	2401-000287	C-AL;100uF,20%,16V,WT,TP;6.3x11,5	
2	C924	2202-000632	C-CERAMIC,MLC-AXIAL;100nF,20%,50V,Z5U,TP		2	C918	2401-000287	C-AL;100uF,20%,16V,WT,TP;6.3x11,5	
2	C233	2305-000412	C-FILM,MPEF;470nF,5%,63V,TP,-,5mm		2	C210	2401-000287	C-AL;100uF,20%,16V,WT,TP;6.3x11,5	
2	C234	2305-000412	C-FILM,MPEF;470nF,5%,63V,TP,-,5mm		2	D201	0401-000005	DIODE-SWITCHING;1N4148,100V,200mA,DO-35,	
2	C235	2305-000412	C-FILM,MPEF;470nF,5%,63V,TP,-,5mm		2	D202	0401-000005	DIODE-SWITCHING;1N4148,100V,200mA,DO-35,	
2	C907	2305-000412	C-FILM,MPEF;470nF,5%,63V,TP,-,5mm		2	D207	0401-000005	DIODE-SWITCHING;1N4148,100V,200mA,DO-35,	
2	C909	2305-000412	C-FILM,MPEF;470nF,5%,63V,TP,-,5mm		2	D208	0401-000005	DIODE-SWITCHING;1N4148,100V,200mA,DO-35,	
2	C237	2401-000914	C-AL;22uF,20%,16V,GPTP;5x11,5		2	D209	0401-000005	DIODE-SWITCHING;1N4148,100V,200mA,DO-35,	
2	C841	2401-000603	C-AL;1uF,20%,50V,GPTP;5x11,5		2	D210	0401-000005	DIODE-SWITCHING;1N4148,100V,200mA,DO-35,	
2	C604	2401-000603	C-AL;1uF,20%,50V,GPTP;5x11,5		2	D211	0401-000005	DIODE-SWITCHING;1N4148,100V,200mA,DO-35,	
2	C201	2401-000603	C-AL;1uF,20%,50V,GPTP;5x11,5		2	D602	0401-000005	DIODE-SWITCHING;1N4148,100V,200mA,DO-35,	
2	C303	2201-002031	C-CERAMIC,DISC;0.005nF,0.5pF,50V,NPO,TP,		△	D804	0401-000005	DIODE-SWITCHING;1N4148,100V,200mA,DO-35,	
2	C224	2201-002031	C-CERAMIC,DISC;0.005nF,0.5pF,50V,NPO,TP,		2	DZ402	0401-000005	DIODE-SWITCHING;1N4148,100V,200mA,DO-35,	
2	C225	2201-002031	C-CERAMIC,DISC;0.005nF,0.5pF,50V,NPO,TP,		2	D906	0401-000005	DIODE-SWITCHING;1N4148,100V,200mA,DO-35,	
2	C304	2305-000285	C-FILM,MPEF;220nF,5%,100V,TP;10.5X5.5X15		△	D405	0401-000005	DIODE-SWITCHING;1N4148,100V,200mA,DO-35,	
2	C305	2305-000149	C-FILM,MPEF;100nF,5%,100V,TP;12x12.5x6.5		2	D604	0401-000005	DIODE-SWITCHING;1N4148,100V,200mA,DO-35,	
2	C821	2301-000192	C-FILM,PEF;1nF,5%,50V,TP;5.3x10mm,5mm		2	D301	0402-001105	DIODE-RECTIFIER;ERB43-04SV1,400V,1.0A,-,	
2	C902	2301-000192	C-FILM,PEF;1nF,5%,50V,TP;5.3x10mm,5mm		△	D411	0402-001105	DIODE-RECTIFIER;ERB43-04SV1,400V,1.0A,-,	
2	C307	2401-000360	C-AL;100uF,20%,50V,GPTP;8x11,5,5		△	D803	0402-001105	DIODE-RECTIFIER;ERB43-04SV1,400V,1.0A,-,	
2	C302	2401-000360	C-AL;100uF,20%,50V,GPTP;8x11,5,5		△	D816	0402-001105	DIODE-RECTIFIER;ERB43-04SV1,400V,1.0A,-,	
2	C401	2201-000556	C-CERAMIC,DISC;0.47nF,10%,500V,Y5P,TP5.		△	D401	0402-000540	DIODE-RECTIFIER;RU20A,600V,1.5A,-,TP	
2	C403	2201-000556	C-CERAMIC,DISC;0.47nF,10%,500V,Y5P,TP5.		△	D404	0402-000540	DIODE-RECTIFIER;RU20A,600V,1.5A,-,TP	
2	C421	2201-000556	C-CERAMIC,DISC;0.47nF,10%,500V,Y5P,TP5.		△	D402	0402-000534	DIODE-RECTIFIER;RG10V,400V,1.2A,DO-201,T	
2	C402	2401-001397	C-AL;470uF,20%,25V,GPTP;10x16,5		△	D403	0402-000132	DIODE-RECTIFIER;1N4004,400V,1A,DO-41,TP	
2	C404	2401-001397	C-AL;470uF,20%,25V,GPTP;10x16,5		△	D406	0402-000132	DIODE-RECTIFIER;1N4004,400V,1A,DO-41,TP	
2	C408	2305-000382	C-FILM,MPEF;4.7nF,5%,400V,TP,-,5mm		△	D810	0402-000132	DIODE-RECTIFIER;1N4004,400V,1A,DO-41,TP	
2	C414	2401-002597	C-AL;220uF,20%,35V,GPTP;10x12.5,5		△	D811	0402-000132	DIODE-RECTIFIER;1N4004,400V,1A,DO-41,TP	
2	C418	2401-002597	C-AL;220uF,20%,35V,GPTP;10x12.5,5		2	D907	0402-000132	DIODE-RECTIFIER;1N4004,400V,1A,DO-41,TP	
2	C422	2401-001527	C-AL;47uF,20%,250V,HR,TP;13x25mm,5m		△	D413	0402-000537	DIODE-RECTIFIER;RH1A,600V,0.6A,DO-204AC	
2	C424	2201-000132	C-CERAMIC,DISC;0.1nF,10%,500V,Y5P,TP;6,5		△	D801	0402-001111	DIODE-RECTIFIER;1N5397GP,600V,1.5A,DO-20	
2	C601	2201-000558	C-CERAMIC,DISC;0.47nF,10%,50V,Y5P,TP;5x3		2	DZ201	0403-000508	DIODE-ZENER;MTZJ5.6B,5.6V,5.45-5.73V,500	
2	C610	2301-000445	C-FILM,PEF;4.7nF,5%,50V,TP;5.5x7x3mm,5mm		2	DZ202	0403-000508	DIODE-ZENER;MTZJ5.6B,5.6V,5.45-5.73V,500	
2	C611	2301-000445	C-FILM,PEF;4.7nF,5%,50V,TP;5.5x7x3mm,5mm		2	DZ802	0403-000508	DIODE-ZENER;MTZJ5.6B,5.6V,5.45-5.73V,500	
2	C415	2301-000445	C-FILM,PEF;4.7nF,5%,50V,TP;5.5x7x3mm,5mm		2	DZ902	0403-000508	DIODE-ZENER;MTZJ5.6B,5.6V,5.45-5.73V,500	
2	C612	2401-001914	C-AL;1uF,20%,50V,BPTP;5x11,5		2	DZ601	0403-000508	DIODE-ZENER;MTZJ5.6B,5.6V,5.45-5.73V,500	
2	C613	2401-001914	C-AL;1uF,20%,50V,BPTP;5x11,5		2	DZ603	0403-000508	DIODE-ZENER;MTZJ5.6B,5.6V,5.45-5.73V,500	
2	C617	2401-000493	C-AL;10uF,20%,50V,LZ,TP;5x11mm,5mm		2	DZ903	0403-000508	DIODE-ZENER;MTZJ5.6B,5.6V,5.45-5.73V,500	
2	C917	2401-000493	C-AL;10uF,20%,50V,LZ,TP;5x11mm,5mm		2	DZ904	0403-000508	DIODE-ZENER;MTZJ5.6B,5.6V,5.45-5.73V,500	
2	C413	2401-000493	C-AL;10uF,20%,50V,LZ,TP;5x11mm,5mm		2	DZ905	0403-000508	DIODE-ZENER;MTZJ5.6B,5.6V,5.45-5.73V,500	
2	C622	2401-001989	C-AL;4.7uF,20%,50V,BPTP;5x11,5		2	DZ906	0403-000508	DIODE-ZENER;MTZJ5.6B,5.6V,5.45-5.73V,500	
2	C625	2401-001989	C-AL;4.7uF,20%,50V,BPTP;5x11,5		2	DZ907	0403-000508	DIODE-ZENER;MTZJ5.6B,5.6V,5.45-5.73V,500	
2	C626	2401-001989	C-AL;4.7uF,20%,50V,BPTP;5x11,5		2	DZ909	0403-000508	DIODE-ZENER;MTZJ5.6B,5.6V,5.45-5.73V,500	
2	C628	2401-001989	C-AL;4.7uF,20%,50V,BPTP;5x11,5		2	DZ910	0403-000508	DIODE-ZENER;MTZJ5.6B,5.6V,5.45-5.73V,500	
2	C623	2202-000231	C-CERAMIC,MLC-AXIAL;330pF,10%,50V,Y5P,TP		2	DZ604	0403-000508	DIODE-ZENER;MTZJ5.6B,5.6V,5.45-5.73V,500	
2	C624	2202-000231	C-CERAMIC,MLC-AXIAL;330pF,10%,50V,Y5P,TP		2	DZ605	0403-000508	DIODE-ZENER;MTZJ5.6B,5.6V,5.45-5.73V,500	
2	C627	2202-000231	C-CERAMIC,MLC-AXIAL;330pF,10%,50V,Y5P,TP		2	DZ908	0403-000508	DIODE-ZENER;MTZJ5.6B,5.6V,5.45-5.73V,500	
2	C629	2202-000231	C-CERAMIC,MLC-AXIAL;330pF,10%,50V,Y5P,TP		2	DZ203	0403-001321	DIODE-ZENER;MTZJ6.8C,6.66-7.01V,500mW,DO	
2	C642	2202-000231	C-CERAMIC,MLC-AXIAL;330pF,10%,50V,Y5P,TP		2	DZ302	0403-001329	DIODE-ZENER;MTZJ24B,22.61-23.77V,500mW,D	
2	C644	2202-000231	C-CERAMIC,MLC-AXIAL;330pF,10%,50V,Y5P,TP		2	DZ303	0403-001329	DIODE-ZENER;MTZJ24B,22.61-23.77V,500mW,D	
2	C701	2202-000231	C-CERAMIC,MLC-AXIAL;330pF,10%,50V,Y5P,TP		2	DZ304	0403-001329	DIODE-ZENER;MTZJ24B,22.61-23.77V,500mW,D	
2	C638	2202-000231	C-CERAMIC,MLC-AXIAL;330pF,10%,50V,Y5P,TP		2	DZ305	0403-001221	DIODE-ZENER;UZ399SB,35.36-37.19V,500mW,D	
2	C639	2202-000231	C-CERAMIC,MLC-AXIAL;330pF,10%,50V,Y5P,TP		2	DZ306	0403-000700	DIODE-ZENER;TZP33A,33V,31-35V,1W,DO-41,T	
2	C249	2202-000231	C-CERAMIC,MLC-AXIAL;330pF,10%,50V,Y5P,TP		2	DZ804	0403-000700	DIODE-ZENER;TZP33A,33V,31-35V,1W,DO-41,T	
2	C632	2202-000806	C-CERAMIC,MLC-AXIAL;220pF,10%,50V,Y5P,TP		2	DZ401	0403-001325	DIODE-ZENER;MTZJ15C,14.35-15.09V,500mW,D	
2	C634	2401-001840	C-AL;100uF,20%,16V,GPTP;6.3x11,5		2	DZ801	0403-001322	DIODE-ZENER;MTZJ8.2B,7.78-8.19V,500mW,DO	
2	C826	2401-001840	C-AL;100uF,20%,16V,GPTP;6.3x11,5		2	DZ808	0403-001322	DIODE-ZENER;MTZJ8.2B,7.78-8.19V,500mW,DO	
2	C832	2401-001840	C-AL;100uF,20%,16V,GPTP;6.3x11,5		2	DZ204	0403-001322	DIODE-ZENER;MTZJ8.2B,7.78-8.19V,500mW,DO	
2	C838	2401-001840	C-AL;100uF,20%,16V,GPTP;6.3x11,5		2	DZ205	0403-001322	DIODE-ZENER;MTZJ8.2B,7.78-8.19V,500mW,DO	
2	C637	2401-000027	C-AL;4.7uF,20%,50V,GPTP;5x11,5		2	DZ805	1203-001217	IC-POSIAJJUST REG.;431,TO-92,3P4.58MIL	
2	C640	2401-000027	C-AL;4.7uF,20%,50V,GPTP;5x11,5		2	GT101	AA60-40014A	PIN-GT,ASSY;AUTO	
2	C641	2401-000027	C-AL;4.7uF,20%,50V,GPTP;5x11,5		2	GT102	AA60-40014A	PIN-GT,ASSY;AUTO	
2	C643	2401-000027	C-AL;4.7uF,20%,50V,GPTP;5x11,5		2	GT301	AA60-40014A	PIN-GT,ASSY;AUTO	
2	C647	2202-000286	C-CERAMIC,MLC-AXIAL;56pF,5%,50V,SL,TP,1		2	GT302	AA60-40014A	PIN-GT,ASSY;AUTO	
2	C649	2301-000108	C-FILM,PEF;1.5nF,5%,50V,TP;6.5x3.0x5.5mm		2	GT401	AA60-40014A	PIN-GT,ASSY;AUTO	
2	C804	2201-000332	C-CERAMIC,DISC;2.2nF,20%,250V,Y5U,TP;9x4		2	GT402	AA60-40014A	PIN-GT,ASSY;AUTO	
2	C805	2201-000332	C-CERAMIC,DISC;2.2nF,20%,250V,Y5U,TP;9x4		2	GT801	AA60-40014A	PIN-GT,ASSY;AUTO	
2	C807	2301-001397	C-FILM,PPF;2.2nF,5%,1.2kV,TP;15x8.5x13.5		2	GT802	AA60-40014A	PIN-GT,ASSY;AUTO	
2	C814	2201-000406	C-CERAMIC,DISC;0.27nF,10%,2kV,Y5P,TP;6,3		2	GT803	AA60-40014A	PIN-GT,ASSY;AUTO	
2	C816	2401-000262	C-AL;100uF,20%,160V,HR,TP;16x25,7,5		2	GT804	AA60-40014A	PIN-GT,ASSY;AUTO	
2	C817	2201-000599	C-CERAMIC,DISC;0.56nF,10%,500V,Y5P,TP5.		2	GT805	AA60-40014A	PIN-GT,ASSY;AUTO	
2	C819	2201-000599	C-CERAMIC,DISC;0.56nF,10%,500V,Y5P,TP5.		2	GT806	AA60-40014A	PIN-GT,ASSY;AUTO	





Level	Loc. No.	Code No.	Description ; Specification	Remark	Level	Loc. No.	Code No.	Description ; Specification	Remark
2	EL406	AA60-40011B	K EYELET;ID2,2,OD3.2,BSP		2	L907	2701-000114	INDUCTOR-AXIAL;10uH,10%,2.5x3.4mm	
2	EL407	AA60-40011B	K EYELET;ID2,2,OD3.2,BSP		2	L711	2701-000114	INDUCTOR-AXIAL;10uH,10%,2.5x3.4mm	
2	EL408	AA60-40011B	K EYELET;ID2,2,OD3.2,BSP		2	L108	2701-000114	INDUCTOR-AXIAL;10uH,10%,2.5x3.4mm	
2	EL802	AA60-40011B	K EYELET;ID2,2,OD3.2,BSP		2	L109	2701-000114	INDUCTOR-AXIAL;10uH,10%,2.5x3.4mm	
2	EL803	AA60-40011B	K EYELET;ID2,2,OD3.2,BSP		2	L204	2701-000184	INDUCTOR-AXIAL;4.7uH,10%,2.5x3.4mm	
2	EL805	AA60-40011B	K EYELET;ID2,2,OD3.2,BSP		2	L222	2701-000184	INDUCTOR-AXIAL;4.7uH,10%,2.5x3.4mm	
2	EL806	AA60-40011B	K EYELET;ID2,2,OD3.2,BSP		2	L302	3301-000287	CORE-FERRITE BEAD;AA,3.5x1.0x6.0mm,1500,	
2	EL807	AA60-40011B	K EYELET;ID2,2,OD3.2,BSP		2	L802	3301-000287	CORE-FERRITE BEAD;AA,3.5x1.0x6.0mm,1500,	
2	EL808	AA60-40011B	K EYELET;ID2,2,OD3.2,BSP		2	L803	3301-000287	CORE-FERRITE BEAD;AA,3.5x1.0x6.0mm,1500,	
2	EL809	AA60-40011B	K EYELET;ID2,2,OD3.2,BSP		2	L804	3301-000287	CORE-FERRITE BEAD;AA,3.5x1.0x6.0mm,1500,	
2	EL810	AA60-40011B	K EYELET;ID2,2,OD3.2,BSP		2	L809	3301-000287	CORE-FERRITE BEAD;AA,3.5x1.0x6.0mm,1500,	
2	EL811	AA60-40011B	K EYELET;ID2,2,OD3.2,BSP		2	J901	3301-000287	CORE-FERRITE BEAD;AA,3.5x1.0x6.0mm,1500,	
2	R236	2001-000515	R-CARBON;220OHM,5%,1/8W,AA,TP1.8X3.2MM		2	L303	3301-000287	CORE-FERRITE BEAD;AA,3.5x1.0x6.0mm,1500,	
2	R237	2001-000515	R-CARBON;220OHM,5%,1/8W,AA,TP1.8X3.2MM		2	L207	3301-000287	CORE-FERRITE BEAD;AA,3.5x1.0x6.0mm,1500,	
2	R238	2001-000515	R-CARBON;220OHM,5%,1/8W,AA,TP1.8X3.2MM		2	L412	3301-000287	CORE-FERRITE BEAD;AA,3.5x1.0x6.0mm,1500,	
2	R247	2001-000515	R-CARBON;220OHM,5%,1/8W,AA,TP1.8X3.2MM		2	J406	3301-000287	CORE-FERRITE BEAD;AA,3.5x1.0x6.0mm,1500,	
2	R622	2001-000577	R-CARBON;2KOHM,5%,1/8W,AA,TP1.8X3.2MM		2	L407	2901-000297	FILTER-EMI ON BOARD;-3A,-,-3.5x5,TP-	
2	R621	2001-000577	R-CARBON;2KOHM,5%,1/8W,AA,TP1.8X3.2MM		2	L807	2901-000297	FILTER-EMI ON BOARD;-3A,-,-3.5x5,TP-	
2	R935	2001-000290	R-CARBON;10KOHM,5%,1/8W,AA,TP1.8X3.2MM		2	L601	2901-000297	FILTER-EMI ON BOARD;-3A,-,-3.5x5,TP-	
2	R202	2001-000290	R-CARBON;10KOHM,5%,1/8W,AA,TP1.8X3.2MM		2	L609	2901-000297	FILTER-EMI ON BOARD;-3A,-,-3.5x5,TP-	
2	R205	2001-000290	R-CARBON;10KOHM,5%,1/8W,AA,TP1.8X3.2MM		2	L201	2901-000297	FILTER-EMI ON BOARD;-3A,-,-3.5x5,TP-	
2	R243	2001-000290	R-CARBON;10KOHM,5%,1/8W,AA,TP1.8X3.2MM		2	L604	2701-000169	INDUCTOR-AXIAL;3.9uH,10%,2.5x3.4mm	
2	R245	2001-000290	R-CARBON;10KOHM,5%,1/8W,AA,TP1.8X3.2MM		2	L905	2701-000211	INDUCTOR-AXIAL;68uH,10%,2.5x3.4mm	
2	R246	2001-000290	R-CARBON;10KOHM,5%,1/8W,AA,TP1.8X3.2MM		2	Q201	0501-000389	TR-SMALL SIGNAL;KSC815,NPN,400mW,TO-92,T	
2	R310	2001-000290	R-CARBON;10KOHM,5%,1/8W,AA,TP1.8X3.2MM		2	Q202	0501-000389	TR-SMALL SIGNAL;KSC815,NPN,400mW,TO-92,T	
2	R716	2001-000290	R-CARBON;10KOHM,5%,1/8W,AA,TP1.8X3.2MM		2	Q203	0501-000389	TR-SMALL SIGNAL;KSC815,NPN,400mW,TO-92,T	
2	R715	2001-000290	R-CARBON;10KOHM,5%,1/8W,AA,TP1.8X3.2MM		2	Q901	0501-000389	TR-SMALL SIGNAL;KSC815,NPN,400mW,TO-92,T	
2	R606	2001-000290	R-CARBON;10KOHM,5%,1/8W,AA,TP1.8X3.2MM		2	Q906	0501-000389	TR-SMALL SIGNAL;KSC815,NPN,400mW,TO-92,T	
2	R602	2001-000290	R-CARBON;10KOHM,5%,1/8W,AA,TP1.8X3.2MM		2	Q908	0501-000389	TR-SMALL SIGNAL;KSC815,NPN,400mW,TO-92,T	
2	R601	2001-000290	R-CARBON;10KOHM,5%,1/8W,AA,TP1.8X3.2MM		2	Q701	0501-000389	TR-SMALL SIGNAL;KSC815,NPN,400mW,TO-92,T	
2	R620	2001-000290	R-CARBON;10KOHM,5%,1/8W,AA,TP1.8X3.2MM		2	Q204	0501-000389	TR-SMALL SIGNAL;KSC815,NPN,400mW,TO-92,T	
2	R629	2001-000290	R-CARBON;10KOHM,5%,1/8W,AA,TP1.8X3.2MM		2	Q601	0501-000389	TR-SMALL SIGNAL;KSC815,NPN,400mW,TO-92,T	
2	R309	2001-000290	R-CARBON;10KOHM,5%,1/8W,AA,TP1.8X3.2MM		2	Q907	0501-000389	TR-SMALL SIGNAL;KSC815,NPN,400mW,TO-92,T	
2	R206	2001-000290	R-CARBON;10KOHM,5%,1/8W,AA,TP1.8X3.2MM		2	R244	2001-000786	R-CARBON;47KOHM,5%,1/8W,AA,TP1.8X3.2MM	
2	R609	2001-000290	R-CARBON;10KOHM,5%,1/8W,AA,TP1.8X3.2MM		2	R954	2001-000786	R-CARBON;47KOHM,5%,1/8W,AA,TP1.8X3.2MM	
2	R912	2001-000290	R-CARBON;10KOHM,5%,1/8W,AA,TP1.8X3.2MM		2	R208	2001-000405	R-CARBON;180OHM,5%,1/8W,AA,TP1.8X3.2MM	
2	R952	2001-000290	R-CARBON;10KOHM,5%,1/8W,AA,TP1.8X3.2MM		2	R209	2001-000405	R-CARBON;180OHM,5%,1/8W,AA,TP1.8X3.2MM	
2	R940	2001-000281	R-CARBON;100OHM,5%,1/8W,AA,TP1.8X3.2MM		2	R215	2001-000522	R-CARBON;22KOHM,5%,1/8W,AA,TP1.8X3.2MM	
2	R941	2001-000281	R-CARBON;100OHM,5%,1/8W,AA,TP1.8X3.2MM		2	R823	2001-000522	R-CARBON;22KOHM,5%,1/8W,AA,TP1.8X3.2MM	
2	R942	2001-000281	R-CARBON;100OHM,5%,1/8W,AA,TP1.8X3.2MM		2	R910	2001-000522	R-CARBON;22KOHM,5%,1/8W,AA,TP1.8X3.2MM	
2	R947	2001-000281	R-CARBON;100OHM,5%,1/8W,AA,TP1.8X3.2MM		2	R216	2001-000429	R-CARBON;1KOHM,5%,1/8W,AA,TP1.8X3.2MM	
2	R948	2001-000281	R-CARBON;100OHM,5%,1/8W,AA,TP1.8X3.2MM		2	R234	2001-000429	R-CARBON;1KOHM,5%,1/8W,AA,TP1.8X3.2MM	
2	R102	2001-000281	R-CARBON;100OHM,5%,1/8W,AA,TP1.8X3.2MM		2	R235	2001-000429	R-CARBON;1KOHM,5%,1/8W,AA,TP1.8X3.2MM	
2	R103	2001-000281	R-CARBON;100OHM,5%,1/8W,AA,TP1.8X3.2MM		2	R603	2001-000429	R-CARBON;1KOHM,5%,1/8W,AA,TP1.8X3.2MM	
2	R203	2001-000281	R-CARBON;100OHM,5%,1/8W,AA,TP1.8X3.2MM		2	R817	2001-000429	R-CARBON;1KOHM,5%,1/8W,AA,TP1.8X3.2MM	
2	R204	2001-000281	R-CARBON;100OHM,5%,1/8W,AA,TP1.8X3.2MM		2	R924	2001-000429	R-CARBON;1KOHM,5%,1/8W,AA,TP1.8X3.2MM	
2	R604	2001-000281	R-CARBON;100OHM,5%,1/8W,AA,TP1.8X3.2MM		2	R914	2001-000429	R-CARBON;1KOHM,5%,1/8W,AA,TP1.8X3.2MM	
2	R605	2001-000281	R-CARBON;100OHM,5%,1/8W,AA,TP1.8X3.2MM		2	R252	2001-000429	R-CARBON;1KOHM,5%,1/8W,AA,TP1.8X3.2MM	
2	R610	2001-000281	R-CARBON;100OHM,5%,1/8W,AA,TP1.8X3.2MM		2	R726	2001-000429	R-CARBON;1KOHM,5%,1/8W,AA,TP1.8X3.2MM	
2	R611	2001-000281	R-CARBON;100OHM,5%,1/8W,AA,TP1.8X3.2MM		2	R902	2001-000429	R-CARBON;1KOHM,5%,1/8W,AA,TP1.8X3.2MM	
2	R612	2001-000281	R-CARBON;100OHM,5%,1/8W,AA,TP1.8X3.2MM		2	R816	2001-000429	R-CARBON;1KOHM,5%,1/8W,AA,TP1.8X3.2MM	
2	R613	2001-000281	R-CARBON;100OHM,5%,1/8W,AA,TP1.8X3.2MM		2	R228	2001-000117	R-CARBON(S);680HM,5%,1/2W,AA,TP2.4X6.4M	
2	R628	2001-000281	R-CARBON;100OHM,5%,1/8W,AA,TP1.8X3.2MM		2	R301	2004-001397	R-METAL(S);4.7Kohm,1%,1/2W,AA,TP2.4x6.4	
2	R627	2001-000281	R-CARBON;100OHM,5%,1/8W,AA,TP1.8X3.2MM		2	R423	2004-001397	R-METAL(S);4.7Kohm,1%,1/2W,AA,TP2.4x6.4	
2	R706	2001-000281	R-CARBON;100OHM,5%,1/8W,AA,TP1.8X3.2MM		2	R303	2001-000016	R-CARBON(S);10HM,5%,1/2W,AA,TP2.4X6.4MM	
2	R707	2001-000281	R-CARBON;100OHM,5%,1/8W,AA,TP1.8X3.2MM		2	R828	2008-000266	R-FUSIBLE(S);1ohm,5%,2W,AF,TP3.9x10mm	
2	R708	2001-000281	R-CARBON;100OHM,5%,1/8W,AA,TP1.8X3.2MM		2	R314	2004-001986	R-METAL(S);35.7Kohm,1%,1/2W,AA,TP2.4x6.4	
2	R723	2001-000281	R-CARBON;100OHM,5%,1/8W,AA,TP1.8X3.2MM		2	R411	2001-000028	R-CARBON(S);100OHM,5%,1/2W,AA,TP2.4X6.4	
2	R909	2001-000281	R-CARBON;100OHM,5%,1/8W,AA,TP1.8X3.2MM		2	R412	2001-000020	R-CARBON(S);220HM,5%,1/2W,AA,TP2.4X6.4M	
2	R907	2001-000281	R-CARBON;100OHM,5%,1/8W,AA,TP1.8X3.2MM		2	R421	2001-001093	R-CARBON(S);2.2KOHM,5%,1/2W,AA,TP2.4X6.4	
2	J920	2001-000281	R-CARBON;100OHM,5%,1/8W,AA,TP1.8X3.2MM		2	R913	2001-000947	R-CARBON;7.5KOHM,5%,1/8W,AA,TP1.8X3.2M	
2	J904	2001-000281	R-CARBON;100OHM,5%,1/8W,AA,TP1.8X3.2MM		2	R426	2003-000540	R-METAL OXIDE(S);1Kohm,5%,2W,AF,TP4x12m	
2	R925	2001-000281	R-CARBON;100OHM,5%,1/8W,AA,TP1.8X3.2MM		2	R434	2003-000664	R-METAL OXIDE(S);33ohm,5%,2W,AF,TP4x12m	
2	R955	2001-000281	R-CARBON;100OHM,5%,1/8W,AA,TP1.8X3.2MM		2	R614	2001-000780	R-CARBON;470OHM,5%,1/8W,AA,TP1.8X3.2MM	
△	RR430S	2001-001088	R-CARBON(S);1KOHM,5%,1/2W,AA,TP2.4X6.4M		2	R615	2001-000780	R-CARBON;470OHM,5%,1/8W,AA,TP1.8X3.2MM	
△	R418	2001-001088	R-CARBON(S);1KOHM,5%,1/2W,AA,TP2.4X6.4M		2	R616	2001-000780	R-CARBON;470OHM,5%,1/8W,AA,TP1.8X3.2MM	
△	RY801S	2002-001011	R-COMPOSITION;3.3Mohm,5%,1/2W,AA,TP3.7x		2	R617	2001-000780	R-CARBON;470OHM,5%,1/8W,AA,TP1.8X3.2MM	
△	RY802S	2002-001013	R-COMPOSITION;4.7Mohm,5%,1/2W,AA,TP3.7x		2	R920	2001-000780	R-CARBON;470OHM,5%,1/8W,AA,TP1.8X3.2MM	
△	VP801S	1405-000187	VARISTOR;750V,1250A,12.5x7mm,TP		2	R226	2001-000780	R-CARBON;470OHM,5%,1/8W,AA,TP1.8X3.2MM	
△	VX801S	1405-000187	VARISTOR;750V,1250A,12.5x7mm,TP		2	R224	2001-000780	R-CARBON;470OHM,5%,1/8W,AA,TP1.8X3.2MM	
2	X901	2801-003728	CRYSTAL-UNIT;6MHz,30ppm,28-AAM,20pf,40oh		2	R225	2001-000780	R-CARBON;470OHM,5%,1/8W,AA,TP1.8X3.2MM	
2	L103	2701-000115	INDUCTOR-AXIAL;10uH,10%,3x7mm		2	R912	2001-000780	R-CARBON;470OHM,5%,1/8W,AA,TP1.8X3.2MM	
2		0203-001123	TAPE-PAPER;#53131,TO.15,W6.0,L200000,YEL		2	R811	2001-000780	R-CARBON;470OHM,5%,1/8W,AA,TP1.8X3.2MM	
2	C707	2401-000939	C-L;22uF,20%,25V,GPT;5x11,5		2	R831	2001-000780	R-CARBON;470OHM,5%,1/8W,AA,TP1.8X3.2MM	
2	L202	2701-000114	INDUCTOR-AXIAL;10uH,10%,2.5x3.4mm		2	R956	2001-000780	R-CARBON;470OHM,5%,1/8W,AA,TP1.8X3.2MM	
2	L301	2701-000114	INDUCTOR-AXIAL;10uH,10%,2.5x3.4mm		2	R919	2001-000780	R-CARBON;470OHM,5%,1/8W,AA,TP1.8X3.2MM	
2	L406	2701-000114	INDUCTOR-AXIAL;10uH,10%,2.5x3.4mm		2	R214	2001-000411	R-CARBON;18KOHM,5%,1/8W,AA,TP1.8X3.2MM	

Level	Loc. No.	Code No.	Description ; Specification	Remark	Level	Loc. No.	Code No.	Description ; Specification	Remark
2	R701	2001-000969	R-CARBON;750HM,5%,1/8W,AA,TP,1.8X3.2MM		2	R718	2001-000702	R-CARBON;39KOHM,5%,1/8W,AA,TP,1.8X3.2MM	
2	R702	2001-000969	R-CARBON;750HM,5%,1/8W,AA,TP,1.8X3.2MM		2	R105	2001-000702	R-CARBON;39KOHM,5%,1/8W,AA,TP,1.8X3.2MM	
2	R703	2001-000969	R-CARBON;750HM,5%,1/8W,AA,TP,1.8X3.2MM		2	X201	2801-003432	CRYSTAL-UNIT;20.25MHZ,30PPM,28-AAM,13PF	
2	R704	2001-000969	R-CARBON;750HM,5%,1/8W,AA,TP,1.8X3.2MM		2	X601	2801-003903	CRYSTAL-UNIT;18.432MHz,25ppm,28-AAM,12pF	
2	R719	2001-000969	R-CARBON;750HM,5%,1/8W,AA,TP,1.8X3.2MM		2	IC904	1203-001943	IC-VOL. DETECTOR;7025,TO-92,3P,-PLASTIC	
2	R705	2001-000969	R-CARBON;750HM,5%,1/8W,AA,TP,1.8X3.2MM		2	PCB	AA41-00168H	PCB-MAIN;CS29A6,FR-1,1L,H,1.6T,330X245,K	
2	R242	2001-000969	R-CARBON;750HM,5%,1/8W,AA,TP,1.8X3.2MM		2	Q909	0505-000109	FET-SILICON;2N7000,N,60V,200mA,5ohm,400m	
2	R802	2003-001025	R-METAL OXIDE(S);15Kohm,5%,2W,AF,TP,3.9x		2	Q910	0505-000109	FET-SILICON;2N7000,N,60V,200mA,5ohm,400m	
2	R803	2003-001025	R-METAL OXIDE(S);15Kohm,5%,2W,AF,TP,3.9x		2	R403	2003-001091	R-METAL OXIDE(S);10ohm,5%,2W,AF,TP,4x12m	
2	R804	2003-001025	R-METAL OXIDE(S);15Kohm,5%,2W,AF,TP,3.9x		2	L705	2701-000180	INDUCTOR-AXIAL;33uH,5%,2.5x3.4mm	
2	R805	2001-001150	R-CARBON(S);470KOHM,5%,1/2W,AA,TP,2.4X6.		2	L706	2701-000180	INDUCTOR-AXIAL;33uH,5%,2.5x3.4mm	
2	R806	2001-001150	R-CARBON(S);470KOHM,5%,1/2W,AA,TP,2.4X6.		2	L605	2701-000180	INDUCTOR-AXIAL;33uH,5%,2.5x3.4mm	
2	R813	2001-001153	R-CARBON(S);470HM,5%,1/2W,AA,TP,2.4X6.4M		2	L606	2701-000180	INDUCTOR-AXIAL;33uH,5%,2.5x3.4mm	
2	R832	2001-001153	R-CARBON(S);470HM,5%,1/2W,AA,TP,2.4X6.4M		2	L607	2701-000180	INDUCTOR-AXIAL;33uH,5%,2.5x3.4mm	
2	R810	2001-001178	R-CARBON(S);680OHM,5%,1/2W,AA,TP,2.4X6.4		2	L608	2701-000180	INDUCTOR-AXIAL;33uH,5%,2.5x3.4mm	
2	R819	2004-001983	R-METAL(S);2.49Kohm,1%,1/2W,AA,TP,2.4x6.		2	L701	2701-000180	INDUCTOR-AXIAL;33uH,5%,2.5x3.4mm	
2	R820	2001-001096	R-CARBON(S);2.20HM,5%,1/2W,AA,TP,2.4X6.4		2	L702	2701-000180	INDUCTOR-AXIAL;33uH,5%,2.5x3.4mm	
2	R822	2001-000273	R-CARBON;100KOHM,5%,1/8W,AA,TP,1.8X3.2M		2	R106	2001-000864	R-CARBON;56KOHM,5%,1/8W,AA,TP,1.8X3.2MM	
2	R824	2001-000273	R-CARBON;100KOHM,5%,1/8W,AA,TP,1.8X3.2M		2	R313	2004-001137	R-METAL;6.8Kohm,1%,1/8W,AA,TP,1.8x3.2m	
2	R825	2001-000066	R-CARBON(S);10KOHM,5%,1/2W,AA,TP,2.4X6.4		2	R710	2001-000938	R-CARBON;68OHM,5%,1/8W,AA,TP,1.8X3.2MM	
2	R901	2001-000734	R-CARBON;4.7KOHM,5%,1/8W,AA,TP,1.8X3.2M		2	R709	2001-000938	R-CARBON;68OHM,5%,1/8W,AA,TP,1.8X3.2MM	
2	R903	2001-000734	R-CARBON;4.7KOHM,5%,1/8W,AA,TP,1.8X3.2M		2	R241	2001-000938	R-CARBON;68OHM,5%,1/8W,AA,TP,1.8X3.2MM	
2	R904	2001-000734	R-CARBON;4.7KOHM,5%,1/8W,AA,TP,1.8X3.2M		2	R315	2004-004970	R-METAL(S);62Kohm,1%,1/8W,AA,TP,1.8x3.2m	
2	R905	2001-000734	R-CARBON;4.7KOHM,5%,1/8W,AA,TP,1.8X3.2M		2	R811	2004-001408	R-METAL(S);91Kohm,1%,1/2W,AA,TP,2.4x6.4m	
2	R906	2001-000734	R-CARBON;4.7KOHM,5%,1/8W,AA,TP,1.8X3.2M		2	R809	2001-000022	R-CARBON(S);330HM,5%,1/2W,AA,TP,2.4X6.4M	
2	R908	2001-000734	R-CARBON;4.7KOHM,5%,1/8W,AA,TP,1.8X3.2M		2	R432	2004-001402	R-METAL(S);6.8Kohm,1%,1/2W,AA,TP,2.4x6.4	
2	R921	2001-000734	R-CARBON;4.7KOHM,5%,1/8W,AA,TP,1.8X3.2M		2	L901	2702-001094	INDUCTOR-RADIAL;10uH,10%,6x4mm	
2	R927	2001-000734	R-CARBON;4.7KOHM,5%,1/8W,AA,TP,1.8X3.2M		2	L903	2702-001094	INDUCTOR-RADIAL;10uH,10%,6x4mm	
2	R928	2001-000734	R-CARBON;4.7KOHM,5%,1/8W,AA,TP,1.8X3.2M		2	L904	2702-001094	INDUCTOR-RADIAL;10uH,10%,6x4mm	
2	R937	2001-000734	R-CARBON;4.7KOHM,5%,1/8W,AA,TP,1.8X3.2M		2	L909	2701-000191	INDUCTOR-AXIAL;47uH,10%,2.5x3.4mm	
2	R724	2001-000734	R-CARBON;4.7KOHM,5%,1/8W,AA,TP,1.8X3.2M		2	L908	2701-000191	INDUCTOR-AXIAL;47uH,10%,2.5x3.4mm	
2	R725	2001-000734	R-CARBON;4.7KOHM,5%,1/8W,AA,TP,1.8X3.2M		2	R818	2001-001113	R-CARBON(S);270KOHM,5%,1/2W,AA,TP,2.4X6.	
2	R251	2001-000734	R-CARBON;4.7KOHM,5%,1/8W,AA,TP,1.8X3.2M		2	CN702	3711-002647	CONNECTOR-HEADER;BOX,8P,1R,2.5mm,STRAIGH	
2	R223	2001-000003	R-CARBON;330ohm,5%,1/8W,AA,TP,1.8x3.2mm		2	C656	2201-000304	C-CERAMIC,DISC;0.001nF,0.25pF,50V,NPO,TP	
2	R248	2001-000003	R-CARBON;330ohm,5%,1/8W,AA,TP,1.8x3.2mm		2	C657	2201-000304	C-CERAMIC,DISC;0.001nF,0.25pF,50V,NPO,TP	
2	R249	2001-000003	R-CARBON;330ohm,5%,1/8W,AA,TP,1.8x3.2mm		2	C306	2301-000342	C-FILM,PEF;2.2nF,5%,50V,TP,7.4x3.9x13mm,	
2	R250	2001-000003	R-CARBON;330ohm,5%,1/8W,AA,TP,1.8x3.2mm		2	R422	2001-000037	R-CARBON(S);330OHM,5%,1/2W,AA,TP,2.4X6.4	
2	R207	2001-000003	R-CARBON;330ohm,5%,1/8W,AA,TP,1.8x3.2mm		2	C621	2401-002458	C-AL;1000uF,20%,35V,GP,TP,16x25,7.5	
2	R911	2001-000003	R-CARBON;330ohm,5%,1/8W,AA,TP,1.8x3.2mm		2	C824	2401-003046	C-AL;47uF,20%,50V,WT,TP,6.3x11,2.5	
2	R922	2001-000924	R-CARBON;680OHM,5%,1/8W,AA,TP,1.8X3.2MM		2	C823	2401-003046	C-AL;47uF,20%,50V,WT,TP,6.3x11,2.5	
2	R923	2001-000924	R-CARBON;680OHM,5%,1/8W,AA,TP,1.8X3.2MM		2	C808	2401-003046	C-AL;47uF,20%,50V,WT,TP,6.3x11,2.5	
2	C411	2301-000104	C-FILM,PEF;8.2nF,5%,50V,TP,6.5x3.0x5.5MM		2	C115	2202-000121	C-CERAMIC,MLC-AXIAL;100pF,10%,50V,Y5P,TP	
2	C412	2301-000313	C-FILM,PEF;8.2nF,5%,100V,TP,7x3.2x7mm,5m		2	C116	2202-000121	C-CERAMIC,MLC-AXIAL;100pF,10%,50V,Y5P,TP	
2	C427	2401-002267	C-AL;2.2uF,20%,25V,GP,TP,8x11,5,5		2	C244	2202-000121	C-CERAMIC,MLC-AXIAL;100pF,10%,50V,Y5P,TP	
2	C833	2401-002619	C-AL;47uF,20%,25V,GP,TP,5x11,5		2	C245	2202-000121	C-CERAMIC,MLC-AXIAL;100pF,10%,50V,Y5P,TP	
2	C229	2401-002619	C-AL;47uF,20%,25V,GP,TP,5x11,5		2	L209	2701-000168	INDUCTOR-AXIAL;3.3uH,5%,2.5x3.4mm	
2	CN602	3711-002644	CONNECTOR-HEADER;BOX,5P,1R,2.5mm,STRAIGH		2	L210	2701-000168	INDUCTOR-AXIAL;3.3uH,5%,2.5x3.4mm	
2	CN901	3711-002644	CONNECTOR-HEADER;BOX,5P,1R,2.5mm,STRAIGH		2	L801	3301-001223	CORE-FERRITE BEAD;AA,62ohm,3.5x0.8x5mm,-	
2	CW901	2503-000156	C-NETWORK;100pF,4,20%,50V		2	L806	3301-001223	CORE-FERRITE BEAD;AA,62ohm,3.5x0.8x5mm,-	
2	D203	0404-000156	DIODE-SCHOTTKY;RB441Q,10V,100mA,DO-34,TP		2	R945	2001-000449	R-CARBON;2.2KOHM,5%,1/8W,AA,TP,1.8X3.2M	
2	D204	0404-000156	DIODE-SCHOTTKY;RB441Q,10V,100mA,DO-34,TP		2	R946	2001-000449	R-CARBON;2.2KOHM,5%,1/8W,AA,TP,1.8X3.2M	
2	D205	0404-000156	DIODE-SCHOTTKY;RB441Q,10V,100mA,DO-34,TP		2	C104	2401-002463	C-AL;470uF,20%,16V,GP,TP,8x11,5,5	
2	D206	0404-000156	DIODE-SCHOTTKY;RB441Q,10V,100mA,DO-34,TP		2	R210	2001-000812	R-CARBON;5.6KOHM,5%,1/8W,AA,TP,1.8X3.2M	
2	D901	0404-000156	DIODE-SCHOTTKY;RB441Q,10V,100mA,DO-34,TP		2	C835	2401-002289	C-AL;470uF,20%,35V,WT,TP,10x20,5	
2	D902	0404-000156	DIODE-SCHOTTKY;RB441Q,10V,100mA,DO-34,TP		2	C840	2401-002212	C-AL;10uF,20%,25V,WT,TP,5x11,5	
2	D903	0404-000156	DIODE-SCHOTTKY;RB441Q,10V,100mA,DO-34,TP		2	C827	2401-002212	C-AL;10uF,20%,25V,WT,TP,5x11,5	
2	D904	0404-000156	DIODE-SCHOTTKY;RB441Q,10V,100mA,DO-34,TP		2	C301	2401-000611	C-AL;1uF,20%,50V,WT,TP,5x11,5	
2	DZ803	0403-001167	DIODE-ZENER;MTZJ30D,30V,29.02-30.51V,500		2	C106	2401-000611	C-AL;1uF,20%,50V,WT,TP,5x11,5	
2	FA802S	3601-001086	FUSE-AXIAL LEAD;125V,5A,FAST-ACTING,GLAS		2	DZ602	0403-000720	DIODE-ZENER;MTZJ9.1B,9.1V,8.57-9.01V,500	
2	HIC202	AA13-00093A	IC HYBRID,-,DRGB001A,SIP,5P,-,TP		2	R808	2001-001079	R-CARBON(S);150HM,5%,1/2W,AA,TP,2.4X6.4M	
2	HIC203	AA13-00093A	IC HYBRID,-,DRGB001A,SIP,5P,-,TP		2	C248	2202-000210	C-CERAMIC,MLC-AXIAL;270pF,10%,50V,Y5P,TP	
2	HIC204	AA13-00093A	IC HYBRID,-,DRGB001A,SIP,5P,-,TP		2	C246	2202-000210	C-CERAMIC,MLC-AXIAL;270pF,10%,50V,Y5P,TP	
2	HIC201	AA13-00093A	IC HYBRID,-,DRGB001A,SIP,5P,-,TP		2	R304	2008-000254	R-FUSIBLE(S);0.68ohm,5%,2W,AF,TP,3.9x10m	
2	R302	2004-001984	R-METAL(S);26.7Kohm,1%,1/2W,AA,TP,2.4X6.		2	C102	2401-001513	C-AL;47uF,20%,16V,WT,TP,5x11,5	
2	R409	2003-002009	R-METAL OXIDE(S);390ohm,5%,2W,AF,TP,3.9x		2	L208	2701-000147	INDUCTOR-AXIAL;2.2uH,5%,2.4x3.4mm	
2	R410	2003-002009	R-METAL OXIDE(S);390ohm,5%,2W,AF,TP,3.9x		2	C247	2202-000849	C-CERAMIC,MLC-AXIAL;18pF,5%,50V,CH,TP,3.	
2	R413	2008-001018	R-FUSIBLE(S);0.47ohm,10%,2W,AF,TP,3.9x10		2		HA68-02176A	LABEL,LABEL	
2	R424	2008-001018	R-FUSIBLE(S);0.47ohm,10%,2W,AF,TP,3.9x10		2	L102	2701-000159	INDUCTOR-AXIAL;22uH,10%,4.2x9.8mm	
2	R425	2008-001018	R-FUSIBLE(S);0.47ohm,10%,2W,AF,TP,3.9x10		2	C654	2201-000611	C-CERAMIC,DISC;0.056nF,5%,50V,NPO,TP,7x3	
2	R405	2008-001018	R-FUSIBLE(S);0.47ohm,10%,2W,AF,TP,3.9x10		2	R305	2003-002205	R-METAL OXIDE(S);330ohm,5%,2W,AG,TP,3.9X	
2	R827	2008-000284	R-FUSIBLE(S);0.10HM,10%,2W,AF,TP,3.9X10M		2	R306	2003-002205	R-METAL OXIDE(S);330ohm,5%,2W,AG,TP,3.9X	
2	R829	2008-001029	R-FUSIBLE(S);5.6ohm,5%,2W,AF,TP,3.9x10mm		2	R401	2003-000586	R-METAL OXIDE(S);22Kohm,5%,2W,AF,TP,4x12	
2	R835	2003-002181	R-METAL OXIDE(S);68Kohm,5%,2W,AG,TP,3.9x		2	R402	2003-000586	R-METAL OXIDE(S);22Kohm,5%,2W,AF,TP,4x12	
2	R836	2003-002181	R-METAL OXIDE(S);68Kohm,5%,2W,AG,TP,3.9x		2	R414	2008-000253	R-FUSIBLE(S);0.47ohm,5%,1W,AF,TP,3.9x10m	
2	R433	2003-001042	R-METAL OXIDE(S);5.6Kohm,5%,2W,AF,TP,3.9		2	R420	2004-001406	R-METAL(S);8.2Kohm,1%,1/2W,AA,TP,2.4x6.4	
2	R717	2001-000702	R-CARBON;39KOHM,5%,1/8W,AA,TP,1.8X3.2MM		2	R428	2001-001191	R-CARBON(S);820KOHM,5%,1/2W,AA,TP,2.4X6.	

Level	Loc. No.	Code No.	Description ; Specification	Remark
2	R429	2001-001103	R-CARBON(S);20KOHM,5%,1/2W,AA,TP,2.4X6.4	
2	R436	2003-002008	R-METAL OXIDE(S);18Kohm,5%,2W,AF,TP,3.9x	
2	R607	2001-000007	R-CARBON;3KOHM,5%,1/8W,AA,TP,1.8X3.2MM	
2	R608	2001-000007	R-CARBON;3KOHM,5%,1/8W,AA,TP,1.8X3.2MM	
2	CN903	3711-002642	CONNECTOR-HEADER;BOX,3P,1R,2.5mm,STRAIGH	
2	C409	2301-001268	C-FILM,PPF;33nF,5%,630V,TP,20x11x17,7.5	
2	CN502	3711-002646	CONNECTOR-HEADER;BOX,7P,1R,2.5mm,STRAIGH	
2	R821	2004-001891	R-METAL(S);133Kohm,1%,1/2W,AA,TP,2.5x6.5	
2	C410	2301-000213	C-FILM,PEF;220nF,5%,250V,TP,21.5x11,7.5	
2	R213	2001-000232	R-CARBON;1.3KOHM,5%,1/8W,AA,TP,1.8X3.2M	
2	R404	2008-000282	R-FUSIBLE;0.47ohm,5%,1V,AA,TP,3.9x12mm	
2	C425	2303-001026	C-FILM,PPF;33nF,10%,400V,TP,20x15x8,7.5	
2	DZ806	0403-001316	DIODE-ZENER;MTZJ3.0A,2.85-3.07V,500mW,DO	
2	R417	2004-001382	R-METAL(S);13Kohm,1%,1/2W,AA,TP,2.4x6.4m	
△	FA803S	3601-001228	FUSE-AXIAL LEAD;125V,10A,FAST-ACTING,EPO	
2	J914	2001-000674	R-CARBON;360OHM,5%,1/8W,AA,TP,1.8X3.2MM	
2	R212	2004-000218	R-METAL;10Kohm,1%,1/8W,AA,TP,1.8x3.2mm	
2	C925	2202-000127	C-CERAMIC,MLC-AXIAL;10nF,+80-20%,25V,Y5V	
2	C420	2305-0001003	C-FILM,MPEF;10nF,5%,250V,TP,13x4.5x9mm,7	
2	C828	2201-000376	C-CERAMIC,DISC;0.22nF,5%,50V,SL,TP,6.3x3	
2	J919	2701-000183	INDUCTOR-AXIAL;39uH,5%,2.5x3.4mm	
2	C203	2401-000480	C-AL;10uF,20%,50V,GPT,5x11,5	
2	R944	2001-000613	R-CARBON;3.9KOHM,5%,1/8W,AA,TP,1.8X3.2M	
2	L910	2701-000215	INDUCTOR-AXIAL;8.2uH,10%,2.5x3.4mm	
2	C926	2202-000154	C-CERAMIC,MLC-AXIAL;150pF,10%,50V,Y5P,TP	
△	F801A	3602-000114	FUSE-HOLDER;-,30mohm	
△	F801B	3602-000114	FUSE-HOLDER;-,30mohm	
△	FP801S	3601-000297	FUSE-CARTRIDGE;250V,5A,TIME-LAG,GLASS,5.	
△	RX801S	2002-001010	R-COMPOSITION;1.8Mohm,5%,1/2W,AA,TP,3.7x	
2	R415	2004-004083	R-METAL(S);3.6Kohm,2%,1/2W,AA,TP,2.5x6.5	
2	D408	0402-000493	DIODE-RECTIFIER;1R5GU41,400V,1.5A,DO-15L	
2	CN501	3711-002641	CONNECTOR-HEADER;BOX,10P,1R,2.54mm,STRAI	
2	CN801	3711-004721	CONNECTOR-HEADER;3WALL,2P,1R,12.5mm,STRA	
2	CN802	3711-004720	CONNECTOR-HEADER;3WALL,2P,1R,12.5mm,STRA	
2	TOP	AA39-20010B	LEAD CONNECTOR-ASSY;1PYFH800-01,S,500,	

### ASSY CRT

1	HA94-01652A	ASSY CRT;-,28,ITC,W66EJU023X215,NON-	
△	2	AA03-00106A	CRT COLOR;W66EJU023X215,+380mG,1.15mH,12
2	AA39-20518A	LEAD CONNECTOR-ASSY;6(4)PYFH806-06,350	
2	AA27-00020A	COIL-DEGAUSSING;-,28,120HM,55L,13000,E	
2	AA63-10002A	BAND-TIE;NYLON66 V2,L100,NTR	
2	AA98-70008D	ASSY TBC WIRE(P);-,28WIDE,PAL,2P,-	

### ASSY SUB-PCB CONTROL

1	AA95-01752B	ASSY SUB-PCB CONTROL;29M6,K3SA,AA95-0140	
2	0202-001222	SOLDER-WIRE FLUX;RS-107,RS60-1.2AA,D1,2,	
2	0202-000187	SOLDER-WIRE FLUX;-,RS60S,D1.2,63Sn/37Pb	
2	0204-000442	SOLVENT;1M-1000,C3H7OH,96,-	
2	0202-001046	SOLDER-WIRE FLUX;CF-110VH-2A,-,-,-,-	
△	LDY01	0601-000198	LED;ROUND,RED/GRN,5.0mm,630/565nm
△	SW811S	3403-001107	SWITCH-PUSH;250V,5A,DPST,-,KDC-A04
△	PD811S	3711-004696	CONNECTOR-HEADER;NOWALL,3P,1R,10/5mm,ANG
△	PD812S	3711-004697	CONNECTOR-HEADER;NOWALL,3P,1R,5/10mm,ANG
2	6001-000057	SCREW-MACHINE;RH,+,M3,L6,ZPC(BLK),SWRCH1	
2	6003-000333	SCREW-TAPTITE;RH,+,2S,M3,L10,ZPC(YEL),SW	
2	CNY02	AA39-20005B	LEAD CONNECTOR-ASSY;3PYBNH025-03,67096
2	CNY01	AA39-20069D	LEAD CONNECTOR-ASSY;5PYBNH025-05,67096
2	CN811	AA39-20179A	LEAD CONNECTOR-ASSY;3(2)PYFH800-150,S,
2	RMV01	AA32-00012A	MODULE REMOCON;ORC-50HF2,38KHZ,940NM,MES
2	AA61-00530B	BRACKET-MASTER;25M6,29M6,SECC	
2	AA63-10002A	BAND-TIE;NYLON66 V2,L100,NTR	
2	DY01	0401-000005	DIODE-SWITCHING;1N4148,100V,200mA,DO-35,
2	DY02	0401-000005	DIODE-SWITCHING;1N4148,100V,200mA,DO-35,
2	DZY01	0403-000508	DIODE-ZENER;MTZJ5.6B,5.6V,5.45-5.73V,500
2	DZY02	0403-000508	DIODE-ZENER;MTZJ5.6B,5.6V,5.45-5.73V,500
2	RY03	2001-000007	R-CARBON;3KOHM,5%,1/8W,AA,TP,1.8X3.2MM
2	RY05	2001-000009	R-CARBON;20KOHM,5%,1/8W,AA,TP,2.4X6.4M
2	RY01	2001-000020	R-CARBON(S);22OHM,5%,1/2W,AA,TP,2.4X6.4M

Level	Loc. No.	Code No.	Description ; Specification	Remark
2	RY02	2001-000577	R-CARBON;2KOHM,5%,1/8W,AA,TP,1.8X3.2MM	
2	RY04	2001-000878	R-CARBON;6.2KOHM,5%,1/8W,AA,TP,1.8X3.2M	
2	CY01	2401-000214	C-AL;47uF,20%,16V,GPT,TP,5x11,5	
2	LY01	2701-000114	INDUCTOR-AXIAL;10uH,10%,2.5x3.4mm	
2	SWY02	3404-000282	SWITCH-TACT;12Vdc,50mA,120gf,6x6x5mm,SPS	
2	SWY03	3404-000282	SWITCH-TACT;12Vdc,50mA,120gf,6x6x5mm,SPS	
2	SWY04	3404-000282	SWITCH-TACT;12Vdc,50mA,120gf,6x6x5mm,SPS	
2	SWY05	3404-000282	SWITCH-TACT;12Vdc,50mA,120gf,6x6x5mm,SPS	
2	SWY06	3404-000282	SWITCH-TACT;12Vdc,50mA,120gf,6x6x5mm,SPS	
2	PCB	AA41-00552A	PCB-CONTROL;29M6,25M6,CEM-1,1LA,1.6T,24	
2	EL01	AA60-40011A	K EYELET;ID2.0,DD2.8,BST	
2	EL02	AA60-40011A	K EYELET;ID2.0,DD2.8,BST	
2	EL03	AA60-40011A	K EYELET;ID2.0,DD2.8,BST	
2	EL04	AA60-40011A	K EYELET;ID2.0,DD2.8,BST	

### ASSY PCB CRT

1	AA95-01532A	ASSY PCB CRT;KS3A,28,32,W5-W6-W7,50HZ	
2	VA999	3704-000114	SOCKET-CRT;14P;29.1,35.5,SN,ISH09S/BK
2	QF04	HA96-50149A	ASSY-H/S;-,AA62-30013A,2SC2344,-
3	0502-000153	TR-POWER;2SC2344-D,NPN,1.2W,TO-220,-,60	
3	SCR09	6003-000333	SCREW-TAPTITE;RH,+,2S,M3,L10,ZPC(YEL),SW
3	H/S09	AA62-30013A	HEAT SINK-ES;-,A6063 EXTR,-,45(21) T02
2	QF05	HA96-50149B	ASSY-H/S;-,TR,AA62-30013A,2SA1011,-
3	QV10	0502-000131	TR-POWER;2SA1011-D,PNP,1.2W,TO-220,-,60
3	SCR10	6003-000333	SCREW-TAPTITE;RH,+,2S,M3,L10,ZPC(YEL),SW
3	H/S10	AA62-30013A	HEAT SINK-ES;-,A6063 EXTR,-,45(21) T02
2	IC501	HA96-50151A	ASSY-H/S;-,TR,AA61-10060A,TDAA6101Q,-
2	IC502	HA96-50151A	ASSY-H/S;-,TR,AA61-10060A,TDAA6101Q,-
2	IC503	HA96-50151A	ASSY-H/S;-,TR,AA61-10060A,TDAA6101Q,-
3	6001-000057	1201-000539	IC-VIDEO AMP;6101,ZIF9P,-,SINGLE,-,PLAS
3	6021-000154	6001-000057	SCREW-MACHINE;RH,+,M3,L6,ZPC(BLK),SWRCH1
3	BRC501	AA61-10060A	NUT-HEXAGON;2C,M3,ZPC(YEL),SM20C
2	HA68-02176A	BRACKET-TR;W3220,CUS-1 1/2H,TO.5,-,-,-,-	
2	GT501	AA60-40014A	LABEL;LABEL
2	GT502	AA60-40014A	PIN-GT,ASSY,AUTO
2	GT503	AA60-40014A	PIN-GT,ASSY,AUTO
2	GT504	AA60-40014A	PIN-GT,ASSY,AUTO
2	GT505	AA60-40014A	PIN-GT,ASSY,AUTO
2	EL81	AA60-40011B	K EYELET;ID2.2,DD3.2,BSP
2	EL82	AA60-40011B	K EYELET;ID2.2,DD3.2,BSP
2	EL83	AA60-40011B	K EYELET;ID2.2,DD3.2,BSP
2	EL84	AA60-40011B	K EYELET;ID2.2,DD3.2,BSP
2	EL85	AA60-40011B	K EYELET;ID2.2,DD3.2,BSP
2	EL86	AA60-40011B	K EYELET;ID2.2,DD3.2,BSP
2	EL87	AA60-40011B	K EYELET;ID2.2,DD3.2,BSP
2	EL88	AA60-40011B	K EYELET;ID2.2,DD3.2,BSP
2	EL89	AA60-40011B	K EYELET;ID2.2,DD3.2,BSP
2	EL90	AA60-40011B	K EYELET;ID2.2,DD3.2,BSP
2	EL91	AA60-40011B	K EYELET;ID2.2,DD3.2,BSP
2	EL92	AA60-40011B	K EYELET;ID2.2,DD3.2,BSP
2	EL93	AA60-40011B	K EYELET;ID2.2,DD3.2,BSP
2	J501	3812-000219	WIRE-NO SHEATH CU;TCWA,300V,52mm(TAPING)
2	J502	3812-000219	WIRE-NO SHEATH CU;TCWA,300V,52mm(TAPING)
2	J503	3812-000219	WIRE-NO SHEATH CU;TCWA,300V,52mm(TAPING)
2	J506	3812-000219	WIRE-NO SHEATH CU;TCWA,300V,52mm(TAPING)
2	J507	3812-000219	WIRE-NO SHEATH CU;TCWA,300V,52mm(TAPING)
2	J508	3812-000219	WIRE-NO SHEATH CU;TCWA,300V,52mm(TAPING)
2	J509	3812-000219	WIRE-NO SHEATH CU;TCWA,300V,52mm(TAPING)
2	J510	3812-000219	WIRE-NO SHEATH CU;TCWA,300V,52mm(TAPING)
2	JF02	3812-000219	WIRE-NO SHEATH CU;TCWA,300V,52mm(TAPING)
2	JF03	3812-000219	WIRE-NO SHEATH CU;TCWA,300V,52mm(TAPING)
2	JF04	3812-000219	WIRE-NO SHEATH CU;TCWA,300V,52mm(TAPING)
2	J511	3812-000219	WIRE-NO SHEATH CU;TCWA,300V,52mm(TAPING)
2	JF05	3812-000219	WIRE-NO SHEATH CU;TCWA,300V,52mm(TAPING)
2	L502	3812-000219	WIRE-NO SHEATH CU;TCWA,300V,52mm(TAPING)
2	JF01	3812-000219	WIRE-NO SHEATH CU;TCWA,300V,52mm(TAPING)
2	J512	3812-000219	WIRE-NO SHEATH CU;TCWA,300V,52mm(TAPING)
2	J513	3812-000219	WIRE-NO SHEATH CU;TCWA,300V,52mm(TAPING)
2	J514	3812-000219	WIRE-NO SHEATH CU;TCWA,300V,52mm(TAPING)
2	J516	3812-000219	WIRE-NO SHEATH CU;TCWA,300V,52mm(TAPING)
2	J520	3812-000219	WIRE-NO SHEATH CU;TCWA,300V,52mm(TAPING)

Level	Loc. No.	Code No.	Description ; Specification	Remark	Level	Loc. No.	Code No.	Description ; Specification	Remark
2	J521	3812-000219	WIRE-NO SHEATH CU;TCWA,300V,52mm(TAPING)		2	C509	2201-000599	C-CERAMIC,DISC;0.56nF,10%,500V,Y5P,TP5.	
2	J523	3812-000219	WIRE-NO SHEATH CU;TCWA,300V,52mm(TAPING)		2	CF04	2201-000653	C-CERAMIC,DISC;0.068nF,5%,50V,SL,TP5x3.	
2	J524	3812-000219	WIRE-NO SHEATH CU;TCWA,300V,52mm(TAPING)		2	CF08	2201-000653	C-CERAMIC,DISC;0.068nF,5%,50V,SL,TP5x3.	
2	J526	3812-000219	WIRE-NO SHEATH CU;TCWA,300V,52mm(TAPING)		2	CF14	2401-000832	C-AL;220uF,20%,25V,GP,TP8x11.5.5	
2	J527	3812-000219	WIRE-NO SHEATH CU;TCWA,300V,52mm(TAPING)		2	CF02	2301-000192	C-FILM,PEF;1nF,5%,50V,TP5.3x10mm,5mm	
2	J528	3812-000219	WIRE-NO SHEATH CU;TCWA,300V,52mm(TAPING)		2	C516	2301-000192	C-FILM,PEF;1nF,5%,50V,TP5.3x10mm,5mm	
2	J529	3812-000219	WIRE-NO SHEATH CU;TCWA,300V,52mm(TAPING)		2	C518	2301-000224	C-FILM,PEF;22nF,5%,50V,TP7.4x3.9x13mm,5	
2	J530	3812-000219	WIRE-NO SHEATH CU;TCWA,300V,52mm(TAPING)		2	C519	2301-000224	C-FILM,PEF;22nF,5%,50V,TP7.4x3.9x13mm,5	
2	R546	3812-000219	WIRE-NO SHEATH CU;TCWA,300V,52mm(TAPING)		2	C520	2301-000224	C-FILM,PEF;22nF,5%,50V,TP7.4x3.9x13mm,5	
2	JF06	3812-000219	WIRE-NO SHEATH CU;TCWA,300V,52mm(TAPING)		2	C521	2301-000224	C-FILM,PEF;22nF,5%,50V,TP7.4x3.9x13mm,5	
2	JF07	3812-000219	WIRE-NO SHEATH CU;TCWA,300V,52mm(TAPING)		2	C522	2301-000224	C-FILM,PEF;22nF,5%,50V,TP7.4x3.9x13mm,5	
2	R504	3812-000219	WIRE-NO SHEATH CU;TCWA,300V,52mm(TAPING)		2	C523	2301-000224	C-FILM,PEF;22nF,5%,50V,TP7.4x3.9x13mm,5	
2	R509	3812-000219	WIRE-NO SHEATH CU;TCWA,300V,52mm(TAPING)		2	CF05	2301-000261	C-FILM,PEF;4.7nF,5%,100V,TP10.5x12.5x6.	
2	J515	3812-000219	WIRE-NO SHEATH CU;TCWA,300V,52mm(TAPING)		2	C502	2305-000704	C-FILM,MPEF;100nF,5%,250V,TP16.5x10.3x5	
2	R539	3812-000219	WIRE-NO SHEATH CU;TCWA,300V,52mm(TAPING)		2	C505	2305-000704	C-FILM,MPEF;100nF,5%,250V,TP16.5x10.3x5	
2	DF01	0401-000005	DIODE-SWITCHING;1N4148,100V,200mA,DO-35,		2	C508	2305-000704	C-FILM,MPEF;100nF,5%,250V,TP16.5x10.3x5	
2	DF04	0401-000005	DIODE-SWITCHING;1N4148,100V,200mA,DO-35,		2	CF07	2305-000704	C-FILM,MPEF;100nF,5%,250V,TP16.5x10.3x5	
2	D502	0402-000132	DIODE-RECTIFIER;1N4004,400V,1A,DO-41,TP		2	C514	2401-000430	C-AL;10uF,20%,250V,GP,TP10x16mm,5m	
2	D507	0402-001105	DIODE-RECTIFIER;ERB43-04SV1,400V,1.0A,-,		2	C512	2401-000914	C-AL;22uF,20%,16V,GP,TP5x11.5	
2	D508	0402-001105	DIODE-RECTIFIER;ERB43-04SV1,400V,1.0A,-,		2	C515	2401-000914	C-AL;22uF,20%,16V,GP,TP5x11.5	
2	D509	0402-001105	DIODE-RECTIFIER;ERB43-04SV1,400V,1.0A,-,		2	C526	2401-000914	C-AL;22uF,20%,16V,GP,TP5x11.5	
2	D510	0402-001105	DIODE-RECTIFIER;ERB43-04SV1,400V,1.0A,-,		2	C511	2401-001232	C-AL;4.7uF,20%,250V,GP,TP10x12.5.5	
2	D511	0402-001105	DIODE-RECTIFIER;ERB43-04SV1,400V,1.0A,-,		2	CF10	2401-001840	C-AL;100uF,20%,16V,GP,TP6.3x11.5	
2	D512	0402-001105	DIODE-RECTIFIER;ERB43-04SV1,400V,1.0A,-,		2	CF12	2401-001840	C-AL;100uF,20%,16V,GP,TP6.3x11.5	
2	DF02	0402-001105	DIODE-RECTIFIER;ERB43-04SV1,400V,1.0A,-,		2	L501	2701-000112	INDUCTOR-AXIAL;100uH,10%,3x7mm	
2	DF03	0402-001105	DIODE-RECTIFIER;ERB43-04SV1,400V,1.0A,-,		2	LF02	2701-000112	INDUCTOR-AXIAL;100uH,10%,3x7mm	
2	DZ503	0403-001211	DIODE-ZENER;MTZJ12B,11.44-12.03V,500mW,D		2	LF01	3301-000287	CORE-FERRITE BEAD;AA,3.5x1.0x6.0mm,1500,	
2	Q501	0501-000283	TR-SMALL SIGNAL;KSA539,PNP,400mW,TO-92,T		2	L505	3301-000287	CORE-FERRITE BEAD;AA,3.5x1.0x6.0mm,1500,	
2	QF03	0501-000369	TR-SMALL SIGNAL;KSC2331-Y,NPN,1000mW,TO-		2	L506	3301-000287	CORE-FERRITE BEAD;AA,3.5x1.0x6.0mm,1500,	
2	QF01	0501-000389	TR-SMALL SIGNAL;KSC815,NPN,400mW,TO-92,T		2	PCB	AA41-00210D	PCB-CRT;CS29A6,FR-1,1L,D,1.6T,330x245,KS	
2	QF02	0501-000389	TR-SMALL SIGNAL;KSC815,NPN,400mW,TO-92,T		2	DZF01	0403-001039	DIODE-ZENER;MA2560,56V,52-60V,1W,DO-41,T	
2	RF09	2001-000221	R-CARBON;1.2KOHM,5%,1/8W,AA,TP1.8X3.2M		2	DZF02	0403-001039	DIODE-ZENER;MA2560,56V,52-60V,1W,DO-41,T	
2	RF12	2001-000221	R-CARBON;1.2KOHM,5%,1/8W,AA,TP1.8X3.2M		2	R522	2001-000591	R-CARBON;3.3KOHM,5%,1/8W,AA,TP1.8X3.2M	
2	RF10	2001-000241	R-CARBON;1.5KOHM,5%,1/8W,AA,TP1.8X3.2M		2	R527	2001-000591	R-CARBON;3.3KOHM,5%,1/8W,AA,TP1.8X3.2M	
2	RF11	2001-000241	R-CARBON;1.5KOHM,5%,1/8W,AA,TP1.8X3.2M		2	R525	2003-001043	R-METAL OXIDE(S);510ohm,5%,1W,AF,TP2.5x	
2	R521	2001-000290	R-CARBON;10KOHM,5%,1/8W,AA,TP1.8X3.2MM		2	R518	2003-002171	R-METAL OXIDE(S);150ohm,5%,2W,AG,TP3.9x	
2	R526	2001-000290	R-CARBON;10KOHM,5%,1/8W,AA,TP1.8X3.2MM		2	L503	2901-000297	FILTER-EMI ON BOARD;-3A,-,-3.5x5,TP-	
2	RF08	2001-000313	R-CARBON;11KOHM,5%,1/8W,AA,TP1.8X3.2MM		2	L504	2901-000297	FILTER-EMI ON BOARD;-3A,-,-3.5x5,TP-	
2	RF03	2001-000362	R-CARBON;150OHM,5%,1/8W,AA,TP1.8X3.2MM		2	LF04	2901-000297	FILTER-EMI ON BOARD;-3A,-,-3.5x5,TP-	
2	R529	2001-000429	R-CARBON;1KOHM,5%,1/8W,AA,TP1.8X3.2MM		2	LF05	2901-000297	FILTER-EMI ON BOARD;-3A,-,-3.5x5,TP-	
2	R530	2001-000429	R-CARBON;1KOHM,5%,1/8W,AA,TP1.8X3.2MM		2	R519	2002-001009	R-COMPOSITION;2.7Kohm,10%,1/2W,AA,TP3.7	
2	R536	2001-000429	R-CARBON;1KOHM,5%,1/8W,AA,TP1.8X3.2MM		2	L507	2701-000215	INDUCTOR-AXIAL;8.2uH,10%,2.5x3.4mm	
2	RF04	2001-000449	R-CARBON;2.2KOHM,5%,1/8W,AA,TP1.8X3.2M		2	SG501	AA27-00084A	COIL;S-23,-,-,-,-,-,S-23,5000Mohm	
2	RF05	2001-000522	R-CARBON;2.2KOHM,5%,1/8W,AA,TP1.8X3.2MM		2	SG502	AA27-00084A	COIL;S-23,-,-,-,-,-,S-23,5000Mohm	
2	RF02	2001-000734	R-CARBON;4.7KOHM,5%,1/8W,AA,TP1.8X3.2M		2	SG503	AA27-00084A	COIL;S-23,-,-,-,-,-,S-23,5000Mohm	
2	R520	2001-000924	R-CARBON;680OHM,5%,1/8W,AA,TP1.8X3.2MM		2	SG504	AA27-00084A	COIL;S-23,-,-,-,-,-,S-23,5000Mohm	
2	RF06	2001-000989	R-CARBON;820KOHM,5%,1/8W,AA,TP1.8X3.2M		2	SG505	AA27-00084A	COIL;S-23,-,-,-,-,-,S-23,5000Mohm	
2	R517	2001-001062	R-CARBON(S);10MOHM,5%,1/2W,AA,TP2.4X6.4		2	R501	2001-000995	R-CARBON;820OHM,5%,1/8W,AA,TP1.8X3.2MM	
2	RF14	2001-001071	R-CARBON(S);12KOHM,5%,1/2W,AA,TP2.4X6.4		2	R506	2001-000995	R-CARBON;820OHM,5%,1/8W,AA,TP1.8X3.2MM	
2	R502	2001-001049	R-CARBON(S);1.3KOHM,5%,1/2W,AA,TP2.4X6.		2	R511	2001-000995	R-CARBON;820OHM,5%,1/8W,AA,TP1.8X3.2MM	
2	R507	2001-001049	R-CARBON(S);1.3KOHM,5%,1/2W,AA,TP2.4X6.		2	HA98-00003A		ASSY SUB PART;ASSY-SUB,PART;S53A,PCB,CRT	
2	R512	2001-001049	R-CARBON(S);1.3KOHM,5%,1/2W,AA,TP2.4X6.		3	0202-001222		SOLDER-WIRE FLUX;RS-107,RS60-1.2AA,D1.2,	
2	RF15	2001-001100	R-CARBON(S);2.7OHM,5%,1/2W,AA,TP2.4X6.4		3	0202-000187		SOLDER-WIRE FLUX;-RS60S,D1.2,63Sn/37Pb	
2	RF17	2001-001100	R-CARBON(S);2.7OHM,5%,1/2W,AA,TP2.4X6.4		3	0204-000442		SOLVENT;1M-1000,CSH70H,96,-	
2	RF13	2001-001179	R-CARBON(S);68KOHM,5%,1/2W,AA,TP2.4X6.4		3	0202-001046		SOLDER-WIRE FLUX;CF-110VH-2A,-,-,-,-	
2	RF16	2001-001179	R-CARBON(S);68KOHM,5%,1/2W,AA,TP2.4X6.4		2	GT507	AA39-20010D	LEAD CONNECTOR-ASSY;1PYFH800-01,S,400,	
2	R503	2001-001194	R-CARBON(S);82KOHM,5%,1/2W,AA,TP2.4X6.4		2	CN501A	AA39-00225A	LEAD CONNECTOR-ASSY;10P67096-010,S,600	
2	R508	2001-001194	R-CARBON(S);82KOHM,5%,1/2W,AA,TP2.4X6.4		2	CN501A	3711-002641	CONNECTOR-HEADER;BOX,10P,1R,2.54mm,STRAI	
2	R513	2001-001194	R-CARBON(S);82KOHM,5%,1/2W,AA,TP2.4X6.4		2	CN502A	AA39-20029K	LEAD CONNECTOR-ASSY;7P67096-007,S,400,	
2	R505	2002-001017	R-COMPOSITION;1Kohm,10%,1/2W,AA,TP3.7x9		2	CNF01	AA39-20033C	LEAD CONNECTOR-ASSY;3I2P67096-003,S,2	
2	R510	2002-001017	R-COMPOSITION;1Kohm,10%,1/2W,AA,TP3.7x9		2	CF11	2401-000927	C-AL;22uF,20%,250V,GP,TP13x20.5	
2	R515	2002-001017	R-COMPOSITION;1Kohm,10%,1/2W,AA,TP3.7x9		2	C513	2201-000723	C-CERAMIC,DISC;4.7nF,20%,3KV,Y5U,TP16x5	
2	RF18	2003-000458	R-METAL OXIDE(S);100ohm,5%,2W,AF,TP4x12		2	R523	2008-000265	R-FUSIBLE(S);1ohm,5%,2W,AA,TP3.9x10mm	
2	RF23	2003-000746	R-METAL OXIDE(S);56ohm,5%,2W,AF,TP4x12m		2	C510	2401-001525	C-AL;47uF,20%,250V,GPBK,16x25mm,7.	
2	RF24	2003-000746	R-METAL OXIDE(S);56ohm,5%,2W,AF,TP4x12m		2	JA501	3722-001503	JACK-PIN;1P,1P,1N,RED,SCR-JACK	
2	RF19	2003-001023	R-METAL OXIDE(S);120ohm,5%,2W,AF,TP3.9x		2	CNF01	3711-002642	CONNECTOR-HEADER;BOX,3P,1R,2.5mm,STRAIGH	
2	RF20	2003-001045	R-METAL OXIDE(S);680ohm,5%,2W,AF,TP3.9x		2	CN502A	3711-002646	CONNECTOR-HEADER;BOX,7P,1R,2.5mm,STRAIGH	
2	RF21	2003-001045	R-METAL OXIDE(S);680ohm,5%,2W,AF,TP3.9x						
2	RF22	2003-001045	R-METAL OXIDE(S);680ohm,5%,2W,AF,TP3.9x						
2	RF25	2003-002009	R-METAL OXIDE(S);390ohm,5%,2W,AF,TP3.9x						
2	RF07	2004-001989	R-METAL;620ohm,5%,1/8W,AA,TP1.8x3.2mm						
2	CF01	2201-000180	C-CERAMIC,DISC;10nF,10%,50V,Y5P,TP7x3.5						
2	CF03	2201-000376	C-CERAMIC,DISC;0.22nF,5%,50V,SL,TP6.3x3						
2	CF06	2201-000516	C-CERAMIC,DISC;4.7nF,+100-0% 500V,Y5U,TP						
2	C503	2201-000599	C-CERAMIC,DISC;0.56nF,10%,500V,Y5P,TP5.						
2	C506	2201-000599	C-CERAMIC,DISC;0.56nF,10%,500V,Y5P,TP5.						
1		AA95-01518A	ASSY ETC-PCB A/V BOARD;29K8,KS3A,50HZ						
2	JH701	3722-000143	JACK-PHONE;1P(WER);3.4PI,AG,BLK,NO						
2	JA701	3722-001031	JACK-PIN;3P;3.6mm,#18,AU						
2	CN704	AA39-00070A	LEAD CONNECTOR-ASSY;4PYBNH250-04,35184						

**ASSY ETC-PCB A/V BOARD**



Level	Loc. No.	Code No.	Description ; Specification	Remark	Level	Loc. No.	Code No.	Description ; Specification	Remark
2	CN705	AA39-20009E	LEAD CONNECTOR-ASSY;1P,YFH800-01,600,16		2	KC+CF	6003-001019	SCREW-TAPTITE;RH,+,B,M4,L12,ZPC(BLK),SWR	
2	CN701	AA39-20068G	LEAD CONNECTOR-ASSY;8P,YBNH025-08,67096		2		AA64-03002A	WINDOW-RMC,LED;28/32V5,PC,CLR	
2	CN703	AA39-20069A	LEAD CONNECTOR-ASSY;5P,YBNH025-05,67096		3		HA83-00009A	LP-RESIN PC;LEXAN 121R,VIOLET	
2		AA63-10002A	BAND-TIE;NYLON66 V2,L100,NTR		2		AA64-02999A	KNOB POWER;28/32V5,HIPS,HB,GRY	
2		AA98-00246A	ASSY SUB PART;S51A,CONTROL WIDE		3		HA83-00040A	LP-MARKING PAINT;METALLIC SILVER,SV-012	
3		0202-001222	SOLDER-WIRE FLUX;RS-107,RS60-1.2AA,D1.2,		3		HA83-00006A	LP-RESIN HIPS;BASF495F,NTR,HB	
3		0202-000187	SOLDER-WIRE FLUX;-RS60S,D1.2,63Sn/37Pb		3		HA83-00011A	LP-RESIN;M BATCH,WILSON 6007-GY-60,GRY	
3		0202-001046	SOLDER-WIRE FLUX;CF-110VH-2A,-,-,-		2		AA64-70117B	BADGE-BRAND;-AL,-,-,L65,R2000,SILVER,SS	
3		0204-000442	SOLVENT;1M-1000,C3H7OH,96,-		2		HA83-00049A	LP-ADHESIVE-HM;12MM,NTR	
2	R701	2001-000028	R-CARBON(S);1000HM,5%,1/ZW,AA,TP,2.4X6.4		2		AA61-60003J	SPRING ETC-CS;-SUS304,-,-,OD6,N7,OD6,-	
2	R702	2001-000028	R-CARBON(S);1000HM,5%,1/ZW,AA,TP,2.4X6.4		2		AA65-30105A	CLAMPER CORE-WIRE;ALL MODEL,NYLON 66,V2	
2	C701	2202-000121	C-CERAMIC,MLC-AXIAL;100pF,10%,50V,Y5P,TP		2		AA64-01506C	INLAY-AV;29K3,PVC-SHEET,TO.3,-,-,P/GRAY	
2	C702	2202-000121	C-CERAMIC,MLC-AXIAL;100pF,10%,50V,Y5P,TP		2		AA64-02996D	CABINET-FRONT;28V5,HIPS,HB,SV012P-II,COR	
2	C703	2202-000231	C-CERAMIC,MLC-AXIAL;330pF,10%,50V,Y5P,TP		3		HA83-00040A	LP-MARKING PAINT;METALLIC SILVER,SV-012	
2	C704	2202-000231	C-CERAMIC,MLC-AXIAL;330pF,10%,50V,Y5P,TP		3		HA83-00021A	LP-MARKING PAINT;WHITE,TPC180	
2	C705	2401-002009	C-AL;100uF,20%,16V,GPTP6.3x7.5		3		HA83-00006A	LP-RESIN HIPS;BASF495F,NTR,HB	
2	C706	2401-002009	C-AL;100uF,20%,16V,GPTP6.3x7.5		3		HA83-00011A	LP-RESIN;M BATCH,WILSON 6007-GY-60,GRY	
2	L701	2701-000114	INDUCTOR-AXIAL;10uH,10%,2.5x3.4mm		2		AA64-02998A	KNOB CONTROL;28/32V5,HIPS,HB,GRY	
2	L702	2701-000114	INDUCTOR-AXIAL;10uH,10%,2.5x3.4mm		3		HA83-00040A	LP-MARKING PAINT;METALLIC SILVER,SV-012	
2	L703	2701-000114	INDUCTOR-AXIAL;10uH,10%,2.5x3.4mm		3		HA83-00006A	LP-RESIN HIPS;BASF495F,NTR,HB	
2	L704	2701-000114	INDUCTOR-AXIAL;10uH,10%,2.5x3.4mm		3		HA83-00011A	LP-RESIN;M BATCH,WILSON 6007-GY-60,GRY	
2	L707	3301-000287	CORE-FERRITE BEAD;AA,3.5x1.0x6.0mm,1500,		2		AA64-03001A	DECORATION-POWER;28/32V5,HIPS,HB	
2	L708	3301-000287	CORE-FERRITE BEAD;AA,3.5x1.0x6.0mm,1500,		3		HA83-00040A	LP-MARKING PAINT;METALLIC SILVER,SV-012	
2	PCB	AA41-00345A	PCB-SIDE A/V;CS29K1,FR-1,1L,A,1.6T,245x2		3		HA83-00006A	LP-RESIN HIPS;BASF495F,NTR,HB	
2		AA65-30018A	CLAMPER CORE-WIRE;DONG-A,NYLON-66,-,-,-		3		HA83-00011A	LP-RESIN;M BATCH,WILSON 6007-GY-60,GRY	
					2	CF+SPK	6002-000515	SCREW-TAPPING;RH,+,2,M4,L15,ZPC(WHT),SWR	
					2		3001-001005	SPEAKER;10W,80HM,91DB,140HZ	
					2		AA39-00102A	LEAD CONNECTOR-ASSY;4P;35155-0400,REC,9	
					2		0203-001290	TAPE-OPP MASKING;ANT 100C,TO.073,W30,L50	
<b>ASSYPCB-PFC</b>									
1		HA94-05786B	ASSYPCB-PFC;28W8/Z4-29A8/K8,50HZ,5786A						
2	EYP07	AA60-40011A	K EYELET;ID2.0,OD2.8,BST						
2	EYP08	AA60-40011A	K EYELET;ID2.0,OD2.8,BST						
2	EYP09	AA60-40011A	K EYELET;ID2.0,OD2.8,BST						
2	EYP10	AA60-40011A	K EYELET;ID2.0,OD2.8,BST		1		AA90-03552B	ASSY-CABINET(COM);KS3A,VL-1823,28V5	
2	EYP11	AA60-40011A	K EYELET;ID2.0,OD2.8,BST		2	CRT	AA65-00009B	CLAMPER CORE-D,COIL;21A8,NYLON 66,V0,-	
2	EYP12	AA60-40011A	K EYELET;ID2.0,OD2.8,BST		2		AA65-30008A	CLAMPER CORE-CORD;-PE,HB,-,BLK,-	
2	EYP13	AA60-40011A	K EYELET;ID2.0,OD2.8,BST		2	CRT+CF	AA60-10050V	SCREW-ASSY;-SWRCH18A,M6,L30,HH,+,WC,-Z	
2	EYP14	AA60-40011A	K EYELET;ID2.0,OD2.8,BST		2		AA65-30009A	CLAMPER CORE-FBT;-ABS,V0,-,BLK,-	
2	EYP15	AA60-40011A	K EYELET;ID2.0,OD2.8,BST		2		AA65-30110A	CLAMPER CORE-WIRE;ALL MODEL,NYLON 66,V2,	
2	EYP16	AA60-40011A	K EYELET;ID2.0,OD2.8,BST		2		HA83-00046A	LP-TAPE INK;WIDTH 105 MM	
2	EYP17	AA60-40011A	K EYELET;ID2.0,OD2.8,BST		2		HA68-02179A	LABEL-RATING;58MM,53MM,WHITE	
2	EYP18	AA60-40011A	K EYELET;ID2.0,OD2.8,BST		2		HA83-00052A	LP-TAPE-INK;WIDTH 55 MM	
2	EYP01	AA60-40011A	K EYELET;ID2.0,OD2.8,BST		2	CB+RCA	6002-000515	SCREW-TAPPING;RH,+,2,M4,L15,ZPC(WHT),SWR	
2	EYP02	AA60-40011A	K EYELET;ID2.0,OD2.8,BST		2	CB+CF	6002-000515	SCREW-TAPPING;RH,+,2,M4,L15,ZPC(WHT),SWR	
2	EYP03	AA60-40011A	K EYELET;ID2.0,OD2.8,BST		2	CF+PCB	6003-001019	SCREW-TAPTITE;RH,+,B,M4,L12,ZPC(BLK),SWR	
2	EYP04	AA60-40011A	K EYELET;ID2.0,OD2.8,BST		2	CF+PCB	6003-001019	SCREW-TAPTITE;RH,+,B,M4,L12,ZPC(BLK),SWR	
2	EYP05	AA60-40011A	K EYELET;ID2.0,OD2.8,BST		2		AA63-10002A	BAND-TIE;NYLON66 V2,L100,NTR	
2	EYP06	AA60-40011A	K EYELET;ID2.0,OD2.8,BST		2		AA65-30104B	CLAMPER CORE-WIRE;ALL MODEL,NYLON 66,V2	
2	PCB	AA41-00404A	PCB-PFC;CS2539,FR-1,1L,A,1.6T,330x245,KS		2		AA64-00894L	INLAY-BACK;21K2,PS SHEET,TO.3,BLK,KS1B 2	
2	JP801	3812-000219	WIRE-NO SHEATH CU;TCWA,300V,52mm(TAPING)		2		HA64-02530C	CABINET-BACK;28M6,VL-1823,GRY	
2	JP802	3812-000219	WIRE-NO SHEATH CU;TCWA,300V,52mm(TAPING)		3		AA81-00096A	RESIN-A;VL-1823,G5433,A	
2	CNP02	AA39-00236A	LEAD CONNECTOR-ASSY;3(2)PYHL500-03A BL		3		HA83-00012A	LP-RESIN;M BATCH,WILSON 6053-GY-60,GRY	
2	PFT01	AA27-00116A	COIL CHOKE;CODE_NO,-,35mH,-0,+5%,-,2.80		2		HA61-00711C	HOLDER-PCB;29K8,HIPS,HB,GRY	
2		HA98-600020	ASSY-SUB,PART;KS4A,PFC PCB		3		HA83-00006A	LP-RESIN HIPS;BASF495F,NTR,HB	
3		0202-001222	SOLDER-WIRE FLUX;RS-107,RS60-1.2AA,D1.2,		3		HA83-00011A	LP-RESIN;M BATCH,WILSON 6007-GY-60,GRY	
3		0202-000187	SOLDER-WIRE FLUX;-RS60S,D1.2,63Sn/37Pb		2		HA83-00049A	LP-ADHESIVE-HM;12MM,NTR	
3		0202-001046	SOLDER-WIRE FLUX;CF-110VH-2A,-,-,-		2		HA68-02177B	LABEL-POS;ALL,30MM,65MM,WHITE,AA68-02177	
3		0204-000442	SOLVENT;1M-1000,C3H7OH,96,-						
2		HA61-00987A	HOLDER-PFC;32W8,29A8,28W8,HIPS,ALLFLAT						
3		HA83-00006A	LP-RESIN HIPS;BASF495F,NTR,HB						
3		HA83-00011A	LP-RESIN;M BATCH,WILSON 6007-GY-60,GRY						
2	CNP02	3711-004721	CONNECTOR-HEADER;3WALL,2P,1R,12.5mm,STRA		1		AA90-03550A	ASSY PACKING;28V5	
2		6003-001023	SCREW-TAPTITE;RWH,+,B,M3,L10,ZPC(YEL),SW		2		HA69-01701A	PACKING CASE;28V5(SEH),D-3 AB,A1,865,605	
2	CNP01	AA39-00235A	LEAD CONNECTOR-ASSY;3(2)PYHL500-03A BL		2		HA69-01647A	CUSHION-SET;28V5,PS FOAMED,C=0.02	
2	CNP01	3711-004720	CONNECTOR-HEADER;3WALL,2P,1R,12.5mm,STRA		3		HA83-00058A	LP-RESIN-EPS;CHEIL SF-301V,WHT	
2	LX803S	AA29-00015A	FILTER LINE NOISE;WSS32W8,28-20MH 1.5A,+		2		AA69-00744E	BAG-SHEET;-HDPE PE FOAM,TO.015,W1300,H1	
2	CX803S	2306-000318	C-FILM,MPPF;220nF,20%,250V,TP,-,2.5mm		2		AA60-40006A	PIN-STAPLE;AUTO,33X17.8X2.4,H18,33X17.8X	
					2		HA68-02178A	LABEL-BOX;250MM,89MM,WHITE	
					2		HA83-00046A	LP-TAPE INK;WIDTH 105 MM	
					2		HA83-00057B	LP-TAPE-CELLULOSE;HA02-030010,TO.046,W7	
<b>ASSY CABINET FRONT</b>									
1		HA91-05147D	ASSY CABINET FRONT;28V5,KS3A,COR-PROT,H						
2	WR+CF	6003-001019	SCREW-TAPTITE;RH,+,B,M4,L12,ZPC(BLK),SWR						

**ASSY-CABINET(COM)****ASSY PACKING**

Level	Loc. No.	Code No.	Description ; Specification	Remark
<b>ASSY ACCESSORY</b>				
1		AA94-05820A	ASSY ACCESSORY;50HZ,KS3A,XEC	
2		4301-000120	BATTERY-MN;1.5V,-,AA,14.5x50mm,-	
2		HA83-00047A	LP-TAPEACETATE;TO.1MM,W20MM,L200MM	
2		HA69-00276A	BAG VINYL;HDPE,TO.025,L400,W240,-,W/O LO	
2		HA68-00335A	LABEL CAUTION;A/P100(G),S51A,HUN,POL,-,-	

Level	Loc. No.	Code No.	Description ; Specification	Remark
<b>REMOCON</b>				
1		AA59-00104K	REMOCON,-,TM59,DREAM,29,L/GRAY,PAL-TTX	

Level	Loc. No.	Code No.	Description ; Specification	Remark
<b>ASSY POWER CORD</b>				
1		AA96-01126B	ASSY POWER CORD;DPAA39-10001G,CP2,H/C40	
2		AA39-10001G	CBF POWER CORD;-,KKP-419C,KLCE-2F,2.286m	
2		AA61-20284A	HOLDER;P-CORD,PP,-,-,BLK,VO,KE-002	

## 7-2 WS28V55VS8XXEC

Level	Loc. No.	Code No.	Description ; Specification	Remark
<b>ASSY PCB MAIN(OPT)</b>				
1		AA94-11586A	ASSY PCB MAIN(OPT);WS28V5DH,KS3A/H,TH,IN	
2	C815	2401-003602	C-AL;220uF,20%,160V,GPBK,22x25mm,1	
2	CN501	3711-002641	CONNECTOR-HEADER;BOX,10P,1R,2.54mm,STRAI	
△	CX801S	2306-000321	C-FILM,MPPF;470NF,5%,275V,TP,-,22.5	
2	IC301	HA96-50406B	ASSY-H/S;ASSY-H/S,-,AA62-30180B,LA7845	
3		1204-000517	IC-VERTICAL DEF;LA7845,SIP7P,-,PLASTIC	
3		AA62-30180B	HEAT SINK-ES;-A6063 EXTR.,2,WHT,70MM,-,	
3		6003-000333	SCREW-TAPTITE;RH,+2S,M3,L10,ZPC(YEL),SW	
3		0205-000129	GREASE-SILICON;SC102,JAPAN	
△	IC401	1202-000103	IC-VOLTAGE COMP.;393,DIP8P,300MIL,DUAL	
△	IC801S	HA96-50371C	ASSY H/S;-AA62-30181H,KA3A1265R,-	
3		AA13-00101A	IC HYBRID;KA3S1265RD,CN5039,5PIN,-,50T012	
3		AA61-10386A	BRACKET-IC,-,SECC 100,T1.0,-,-,KA2S068	
3		AA62-30197D	HEAT SINK-ES;DP,-,-,AA62-30181H,-,-	
3		6003-000333	SCREW-TAPTITE;RH,+2S,M3,L10,ZPC(YEL),SW	
3		HA68-02189A	LABEL-WARNING;.33MM,18MM,WHITE	
3		0205-000129	GREASE-SILICON;SC102,JAPAN	
2	JA701	3722-000195	JACK-SCART;42P,-,SN,BLK,NO	
△	NT802S	1404-001045	THERMISTOR-NTC;4.7ohm,15%,2900K,35.0mW,T	
△	PC801S	0604-001038	PHOTO-COUPLER;TR,130-260%,200mW,DIP-4,ST	
△	PT801S	1404-000002	THERMISTOR-PTC;9ohm,20%,-,-,TR,RECT-	
△	RL801S	3501-001040	RELAY-POWER;12VDC,500mW,10A,1FormA,15mS,	
2	HC801	HA96-00274B	ASSY-H/S;-COMPLEX,AA62-00066B,FMLG12S	
3		6003-000334	SCREW-TAPTITE;RH,+2S,M3,L6,ZPC(YEL),SWR	
3		AA62-00066B	HEAT SINK;D2,D3,AL,T1.0,89,70,-,AA62-00	
△	D802	0402-001230	DIODE-RECTIFIER;FMG-G2CS,1000V,3A,TO-220	
△	D805	0402-000233	DIODE-RECTIFIER;FML-G12S,200V,5A,-,-	
△	D806	0402-000233	DIODE-RECTIFIER;FML-G12S,200V,5A,-,-	
△	D807	0402-000233	DIODE-RECTIFIER;FML-G12S,200V,5A,-,-	
△	IC805	1203-001006	IC-VOLTAGE REGULATOR;78R05,TO-220F,4P,-,	
3		0205-000129	GREASE-SILICON;SC102,JAPAN	
2	HC401	HA96-00275D	ASSY-H/S;-COMPLEX,AA62-00051B,2SC5446	
3		AA62-00067B	HEAT SINK-PS;-DP,-,-,-,AA62-00051B,-	
3	D414	0402-001296	DIODE-RECTIFIER;FMP-3FU,1.5KV,5A,TO-3PF,	
3	Q401	0502-001175	TR-POWER;2SC5446,NPN,20000mW,TO-3PL,BK	
3		6003-000333	SCREW-TAPTITE;RH,+2S,M3,L10,ZPC(YEL),SW	
3		AA60-30001A	WASHER-PLATE;M3,ID3.5,15X8.5,T1.0,SBHG	
3		AA62-00092A	HEAT SINK;STB,A6063 EXTR.,T1.3,28*28,H12	
3	Q401	AA02-00007A	SUB ETC-MICA;MICA,22X30X0.1MM	
3		6003-000334	SCREW-TAPTITE;RH,+2S,M3,L6,ZPC(YEL),SWR	
3		0205-000129	GREASE-SILICON;SC102,JAPAN	
△	D801S	0402-001399	DIODE-BRIDGE;GSIB660,600V,6A,SIP-4,BK	
2	IC602	HA96-50369B	ASSY-H/S;-AA62-30181F,TDAT7297,-	
3		1201-001064	IC-POWER AMP;7297,ZIP,15P,-,DUAL,32dB,PL	

Level	Loc. No.	Code No.	Description ; Specification	Remark
3		AA62-30181F	HEAT SINK-ES;-AL6063 EXTR.,2,WHT,50MM,-	
3		6003-000333	SCREW-TAPTITE;RH,+2S,M3,L10,ZPC(YEL),SW	
3		0205-000129	GREASE-SILICON;SC102,JAPAN	
2	IC902	1103-001171	IC-EEPROM;L51DC,16KBit,DIP,8P,300MIL,10m	
2	C105	2301-000383	C-FILM,PEF;10nF,5%,50V,TP;6x7x3.2mm,5mm	
2	C103	2301-000383	C-FILM,PEF;10nF,5%,50V,TP;6x7x3.2mm,5mm	
2	C101	2301-000383	C-FILM,PEF;10nF,5%,50V,TP;6x7x3.2mm,5mm	
2	C416	2301-000383	C-FILM,PEF;10nF,5%,50V,TP;6x7x3.2mm,5mm	
2	C909	2301-000383	C-FILM,PEF;10nF,5%,50V,TP;6x7x3.2mm,5mm	
2	C228	2301-000356	C-FILM,PEF;47nF,5%,50V,TP;7.5x4.0x6.5,5m	
2	C230	2301-000356	C-FILM,PEF;47nF,5%,50V,TP;7.5x4.0x6.5,5m	
2	C809	2301-000356	C-FILM,PEF;47nF,5%,50V,TP;7.5x4.0x6.5,5m	
2	C810	2301-000356	C-FILM,PEF;47nF,5%,50V,TP;7.5x4.0x6.5,5m	
2	C811	2301-000356	C-FILM,PEF;47nF,5%,50V,TP;7.5x4.0x6.5,5m	
2	C202	2401-002235	C-AL;10uF,20%,16V,GPTP;5x11mm,5mm	
2	C205	2401-002235	C-AL;10uF,20%,16V,GPTP;5x11mm,5mm	
2	C920	2401-002235	C-AL;10uF,20%,16V,GPTP;5x11mm,5mm	
2	C231	2401-002235	C-AL;10uF,20%,16V,GPTP;5x11mm,5mm	
2	C215	2401-002235	C-AL;10uF,20%,16V,GPTP;5x11mm,5mm	
2	C630	2401-002235	C-AL;10uF,20%,16V,GPTP;5x11mm,5mm	
2	C631	2401-002235	C-AL;10uF,20%,16V,GPTP;5x11mm,5mm	
2	C645	2401-002235	C-AL;10uF,20%,16V,GPTP;5x11mm,5mm	
2	C652	2401-002235	C-AL;10uF,20%,16V,GPTP;5x11mm,5mm	
2	C603	2401-002235	C-AL;10uF,20%,16V,GPTP;5x11mm,5mm	
2	C207	2401-002235	C-AL;10uF,20%,16V,GPTP;5x11mm,5mm	
2	C708	2401-002235	C-AL;10uF,20%,16V,GPTP;5x11mm,5mm	
2	C239	2401-002235	C-AL;10uF,20%,16V,GPTP;5x11mm,5mm	
2	C214	2305-000665	C-FILM,MPEF;100nF,5%,63V,TP;7.5x4.0x5.0m	
2	C605	2305-000665	C-FILM,MPEF;100nF,5%,63V,TP;7.5x4.0x5.0m	
2	C620	2305-000665	C-FILM,MPEF;100nF,5%,63V,TP;7.5x4.0x5.0m	
2	C635	2305-000665	C-FILM,MPEF;100nF,5%,63V,TP;7.5x4.0x5.0m	
2	C646	2305-000665	C-FILM,MPEF;100nF,5%,63V,TP;7.5x4.0x5.0m	
2	C829	2305-000665	C-FILM,MPEF;100nF,5%,63V,TP;7.5x4.0x5.0m	
2	C837	2305-000665	C-FILM,MPEF;100nF,5%,63V,TP;7.5x4.0x5.0m	
2	C839	2305-000665	C-FILM,MPEF;100nF,5%,63V,TP;7.5x4.0x5.0m	
2	C916	2305-000665	C-FILM,MPEF;100nF,5%,63V,TP;7.5x4.0x5.0m	
2	C914	2305-000665	C-FILM,MPEF;100nF,5%,63V,TP;7.5x4.0x5.0m	
2	C831	2305-000665	C-FILM,MPEF;100nF,5%,63V,TP;7.5x4.0x5.0m	
2	C825	2305-000665	C-FILM,MPEF;100nF,5%,63V,TP;7.5x4.0x5.0m	
2	C240	2305-000665	C-FILM,MPEF;100nF,5%,63V,TP;7.5x4.0x5.0m	
2	C208	2401-001026	C-AL;3.3UF,20%,50V,GPTP;5X11,5	
2	C636	2401-001026	C-AL;3.3UF,20%,50V,GPTP;5X11,5	
2	C905	2202-000796	C-CERAMIC,MLC-AXIAL;1NF,10%,50V,Y5P,TP;3	
2	C607	2202-000796	C-CERAMIC,MLC-AXIAL;1NF,10%,50V,Y5P,TP;3	
2	C608	2202-000796	C-CERAMIC,MLC-AXIAL;1NF,10%,50V,Y5P,TP;3	
2	C211	2202-000796	C-CERAMIC,MLC-AXIAL;1NF,10%,50V,Y5P,TP;3	
2	C212	2301-000224	C-FILM,PEF;22nF,5%,50V,TP;7.4x3.9x13mm,5	
2	C213	2301-000247	C-FILM,PEF;33nF,5%,50V,TP;8.1x4.5x13mm,5	

Level	Loc. No.	Code No.	Description ; Specification	Remark	Level	Loc. No.	Code No.	Description ; Specification	Remark
2	C218	2202-000632	C-CERAMIC,MLC-AXIAL;100nF,20%,50V,Z5U,TP		△	2	D804	0401-000005	DIODE-SWITCHING;1N4148,100V,200mA,DO-35,
2	C219	2202-000632	C-CERAMIC,MLC-AXIAL;100nF,20%,50V,Z5U,TP		2	DZ402	0401-000005	DIODE-SWITCHING;1N4148,100V,200mA,DO-35,	
2	C220	2202-000632	C-CERAMIC,MLC-AXIAL;100nF,20%,50V,Z5U,TP		2	D906	0401-000005	DIODE-SWITCHING;1N4148,100V,200mA,DO-35,	
2	C901	2202-000632	C-CERAMIC,MLC-AXIAL;100nF,20%,50V,Z5U,TP		2	D604	0401-000005	DIODE-SWITCHING;1N4148,100V,200mA,DO-35,	
2	C921	2202-000632	C-CERAMIC,MLC-AXIAL;100nF,20%,50V,Z5U,TP		△	2	D405	0401-000005	DIODE-SWITCHING;1N4148,100V,200mA,DO-35,
2	C922	2202-000632	C-CERAMIC,MLC-AXIAL;100nF,20%,50V,Z5U,TP		△	2	D401	0402-000540	DIODE-RECTIFIER;RU20A,600V,1.5A,-,TP
2	C919	2202-000632	C-CERAMIC,MLC-AXIAL;100nF,20%,50V,Z5U,TP		△	2	D402	0402-000534	DIODE-RECTIFIER;RG10V,400V,1.2A,DO-201,T
2	C924	2202-000632	C-CERAMIC,MLC-AXIAL;100nF,20%,50V,Z5U,TP		△	2	D404	0402-000534	DIODE-RECTIFIER;RG10V,400V,1.2A,DO-201,T
2	C907	2305-000412	C-FILM,MPEF;470nF,5%,63V,TP,-,5mm		△	2	D411	0402-000534	DIODE-RECTIFIER;RG10V,400V,1.2A,DO-201,T
2	C308	2305-000412	C-FILM,MPEF;470nF,5%,63V,TP,-,5mm		△	2	D406	0402-000132	DIODE-RECTIFIER;1N4004,400V,1A,DO-41,TP
2	C237	2401-000914	C-AL;22uF,20%,16V,GP,TP5x11,5		△	2	D808	0402-000132	DIODE-RECTIFIER;1N4004,400V,1A,DO-41,TP
2	C604	2401-000603	C-AL;1uF,20%,50V,GP,TP5x11,5		△	2	D810	0402-000132	DIODE-RECTIFIER;1N4004,400V,1A,DO-41,TP
2	C201	2401-000603	C-AL;1uF,20%,50V,GP,TP5x11,5		△	2	D811	0402-000132	DIODE-RECTIFIER;1N4004,400V,1A,DO-41,TP
2	C841	2401-000603	C-AL;1uF,20%,50V,GP,TP5x11,5		2	D907	0402-000132	DIODE-RECTIFIER;1N4004,400V,1A,DO-41,TP	
2	C304	2305-000285	C-FILM,MPEF;220nF,5%,100V,TP,10.5X5.5X15		△	2	D403	0402-000132	DIODE-RECTIFIER;1N4004,400V,1A,DO-41,TP
2	C305	2305-000149	C-FILM,MPEF;100nF,5%,100V,TP,12x12.5x6.5		2	D801	0402-001111	DIODE-RECTIFIER;1N5397GP,600V,1.5A,DO-20	
2	C821	2301-000192	C-FILM,PEF;1nF,5%,50V,TP5.3x10mm,5mm		2	DZ201	0403-000508	DIODE-ZENER;MTZJ5.6B,5.6V,5.45-5.73V,500	
2	C902	2301-000192	C-FILM,PEF;1nF,5%,50V,TP5.3x10mm,5mm		2	DZ202	0403-000508	DIODE-ZENER;MTZJ5.6B,5.6V,5.45-5.73V,500	
2	C307	2401-000360	C-AL;100uF,20%,50V,GP,TP8x11.5,5		2	DZ802	0403-000508	DIODE-ZENER;MTZJ5.6B,5.6V,5.45-5.73V,500	
2	C302	2401-000360	C-AL;100uF,20%,50V,GP,TP8x11.5,5		2	DZ902	0403-000508	DIODE-ZENER;MTZJ5.6B,5.6V,5.45-5.73V,500	
2	C401	2201-000556	C-CERAMIC,DISC;0.47nF,10%,500V,Y5P,TP5.		2	DZ601	0403-000508	DIODE-ZENER;MTZJ5.6B,5.6V,5.45-5.73V,500	
2	C403	2201-000556	C-CERAMIC,DISC;0.47nF,10%,500V,Y5P,TP5.		2	DZ603	0403-000508	DIODE-ZENER;MTZJ5.6B,5.6V,5.45-5.73V,500	
2	C421	2201-000556	C-CERAMIC,DISC;0.47nF,10%,500V,Y5P,TP5.		2	DZ806	0403-000508	DIODE-ZENER;MTZJ5.6B,5.6V,5.45-5.73V,500	
2	C402	2401-001397	C-AL;470uF,20%,25V,GP,TP10x16,5		2	DZ903	0403-000508	DIODE-ZENER;MTZJ5.6B,5.6V,5.45-5.73V,500	
2	C404	2401-001397	C-AL;470uF,20%,25V,GP,TP10x16,5		2	DZ904	0403-000508	DIODE-ZENER;MTZJ5.6B,5.6V,5.45-5.73V,500	
2	C408	2305-000382	C-FILM,MPEF;4.7nF,5%,400V,TP,-,5mm		2	DZ905	0403-000508	DIODE-ZENER;MTZJ5.6B,5.6V,5.45-5.73V,500	
2	C414	2401-002597	C-AL;220uF,20%,35V,GP,TP10x12.5,5		2	DZ906	0403-000508	DIODE-ZENER;MTZJ5.6B,5.6V,5.45-5.73V,500	
2	C418	2401-002597	C-AL;220uF,20%,35V,GP,TP10x12.5,5		2	DZ907	0403-000508	DIODE-ZENER;MTZJ5.6B,5.6V,5.45-5.73V,500	
2	C422	2401-001527	C-AL;47uF,20%,250V,HR,TP13x25mm,5m		2	DZ908	0403-000508	DIODE-ZENER;MTZJ5.6B,5.6V,5.45-5.73V,500	
2	C424	2201-000132	C-CERAMIC,DISC;0.1nF,10%,500V,Y5P,TP6.5		2	DZ909	0403-000508	DIODE-ZENER;MTZJ5.6B,5.6V,5.45-5.73V,500	
2	C601	2201-000558	C-CERAMIC,DISC;0.47nF,10%,50V,Y5P,TP5x3		2	DZ910	0403-000508	DIODE-ZENER;MTZJ5.6B,5.6V,5.45-5.73V,500	
2	C610	2301-000445	C-FILM,PEF;4.7nF,5%,50V,TP5.5x7x3mm,5mm		2	DZ604	0403-000508	DIODE-ZENER;MTZJ5.6B,5.6V,5.45-5.73V,500	
2	C611	2301-000445	C-FILM,PEF;4.7nF,5%,50V,TP5.5x7x3mm,5mm		2	DZ605	0403-000508	DIODE-ZENER;MTZJ5.6B,5.6V,5.45-5.73V,500	
2	C612	2401-001914	C-AL;1uF,20%,50V,BP,TP5x11,5		2	DZ203	0403-001321	DIODE-ZENER;MTZJ6.8C,6.66-7.01V,500mW,DO	
2	C613	2401-001914	C-AL;1uF,20%,50V,BP,TP5x11,5		2	DZ302	0403-001329	DIODE-ZENER;MTZJ24B,22.61-23.77V,500mW,D	
2	C209	2401-001914	C-AL;1uF,20%,50V,BP,TP5x11,5		2	DZ303	0403-001329	DIODE-ZENER;MTZJ24B,22.61-23.77V,500mW,D	
2	C617	2401-000493	C-AL;10uF,20%,50V,LZ,TP5x11mm,5mm		2	DZ304	0403-001329	DIODE-ZENER;MTZJ24B,22.61-23.77V,500mW,D	
2	C917	2401-000493	C-AL;10uF,20%,50V,LZ,TP5x11mm,5mm		2	DZ305	0403-001221	DIODE-ZENER;UZ398SB,35.36-37.19V,500mW,D	
2	C413	2401-000493	C-AL;10uF,20%,50V,LZ,TP5x11mm,5mm		2	DZ306	0403-000700	DIODE-ZENER;TZP33A,33V,31-35V,1W,DO-41,T	
2	C623	2202-000231	C-CERAMIC,MLC-AXIAL;330pF,10%,50V,Y5P,TP		2	DZ804	0403-000700	DIODE-ZENER;TZP33A,33V,31-35V,1W,DO-41,T	
2	C624	2202-000231	C-CERAMIC,MLC-AXIAL;330pF,10%,50V,Y5P,TP		2	DZ401	0403-001325	DIODE-ZENER;MTZJ15C,14.35-15.09V,500mW,D	
2	C627	2202-000231	C-CERAMIC,MLC-AXIAL;330pF,10%,50V,Y5P,TP		2	DZ801	0403-001322	DIODE-ZENER;MTZJ8.2B,7.78-8.19V,500mW,DO	
2	C629	2202-000231	C-CERAMIC,MLC-AXIAL;330pF,10%,50V,Y5P,TP		2	DZ808	0403-001322	DIODE-ZENER;MTZJ8.2B,7.78-8.19V,500mW,DO	
2	C642	2202-000231	C-CERAMIC,MLC-AXIAL;330pF,10%,50V,Y5P,TP		2	DZ204	0403-001322	DIODE-ZENER;MTZJ8.2B,7.78-8.19V,500mW,DO	
2	C644	2202-000231	C-CERAMIC,MLC-AXIAL;330pF,10%,50V,Y5P,TP		2	DZ205	0403-001322	DIODE-ZENER;MTZJ8.2B,7.78-8.19V,500mW,DO	
2	C638	2202-000231	C-CERAMIC,MLC-AXIAL;330pF,10%,50V,Y5P,TP		2	DZ805	1203-001217	IC-POS:ADJUST REG.;431,T0-92,3P4.58MIL	
2	C639	2202-000231	C-CERAMIC,MLC-AXIAL;330pF,10%,50V,Y5P,TP		2	GT101	AA60-40014A	PIN-GT,ASSY;AUTO	
2	C249	2202-000231	C-CERAMIC,MLC-AXIAL;330pF,10%,50V,Y5P,TP		2	GT102	AA60-40014A	PIN-GT,ASSY;AUTO	
2	C632	2202-000806	C-CERAMIC,MLC-AXIAL;220pF,10%,50V,Y5P,TP		2	GT301	AA60-40014A	PIN-GT,ASSY;AUTO	
2	C634	2401-001840	C-AL;100uF,20%,16V,GP,TP6.3x11,5		2	GT302	AA60-40014A	PIN-GT,ASSY;AUTO	
2	C832	2401-001840	C-AL;100uF,20%,16V,GP,TP6.3x11,5		2	GT401	AA60-40014A	PIN-GT,ASSY;AUTO	
2	C838	2401-001840	C-AL;100uF,20%,16V,GP,TP6.3x11,5		2	GT402	AA60-40014A	PIN-GT,ASSY;AUTO	
2	C826	2401-001840	C-AL;100uF,20%,16V,GP,TP6.3x11,5		2	GT801	AA60-40014A	PIN-GT,ASSY;AUTO	
2	C637	2401-000027	C-AL;4.7uF,20%,50V,GP,TP5x11,5		2	GT802	AA60-40014A	PIN-GT,ASSY;AUTO	
2	C640	2401-000027	C-AL;4.7uF,20%,50V,GP,TP5x11,5		2	GT803	AA60-40014A	PIN-GT,ASSY;AUTO	
2	C641	2401-000027	C-AL;4.7uF,20%,50V,GP,TP5x11,5		2	GT804	AA60-40014A	PIN-GT,ASSY;AUTO	
2	C643	2401-000027	C-AL;4.7uF,20%,50V,GP,TP5x11,5		2	GT805	AA60-40014A	PIN-GT,ASSY;AUTO	
2	C647	2202-000286	C-CERAMIC,MLC-AXIAL;56pF,5%,50V,SL,TP1.		2	GT806	AA60-40014A	PIN-GT,ASSY;AUTO	
2	C649	2301-000108	C-FILM,PEF;1.5nF,5%,50V,TP6.5x3.0x5.5mm		2	GT409	AA60-40014A	PIN-GT,ASSY;AUTO	
2	C804	2201-000332	C-CERAMIC,DISC;2.2nF,20%,250V,Y5U,TP9x4		2	J102	3812-000219	WIRE-NO SHEATH CU;TCWA,300V,52mm(TAPING)	
2	C805	2201-000332	C-CERAMIC,DISC;2.2nF,20%,250V,Y5U,TP9x4		2	J103	3812-000219	WIRE-NO SHEATH CU;TCWA,300V,52mm(TAPING)	
2	C807	2301-001397	C-FILM,PPF;2.2nF,5%,1.2KV,TP15x8.5x13.5		2	J105	3812-000219	WIRE-NO SHEATH CU;TCWA,300V,52mm(TAPING)	
2	C814	2201-000406	C-CERAMIC,DISC;0.27nF,10%,2KV,Y5P,TP6.3		2	J110	3812-000219	WIRE-NO SHEATH CU;TCWA,300V,52mm(TAPING)	
2	C817	2201-000599	C-CERAMIC,DISC;0.56nF,10%,500V,Y5P,TP5.		2	J111	3812-000219	WIRE-NO SHEATH CU;TCWA,300V,52mm(TAPING)	
2	C819	2201-000599	C-CERAMIC,DISC;0.56nF,10%,500V,Y5P,TP5.		2	J112	3812-000219	WIRE-NO SHEATH CU;TCWA,300V,52mm(TAPING)	
2	C822	2201-000599	C-CERAMIC,DISC;0.56nF,10%,500V,Y5P,TP5.		2	J114	3812-000219	WIRE-NO SHEATH CU;TCWA,300V,52mm(TAPING)	
2	C818	2401-000722	C-AL;2200uF,20%,25V,WT,TP16x25,7.5		2	J115	3812-000219	WIRE-NO SHEATH CU;TCWA,300V,52mm(TAPING)	
2	C910	2201-000980	C-CERAMIC,DISC;0.03nF,5%,50V,NP0,TP5x3,		2	J116	3812-000219	WIRE-NO SHEATH CU;TCWA,300V,52mm(TAPING)	
2	C911	2201-000980	C-CERAMIC,DISC;0.03nF,5%,50V,NP0,TP5x3,		2	J117	3812-000219	WIRE-NO SHEATH CU;TCWA,300V,52mm(TAPING)	
2	D201	0401-000005	DIODE-SWITCHING;1N4148,100V,200mA,DO-35,		2	J119	3812-000219	WIRE-NO SHEATH CU;TCWA,300V,52mm(TAPING)	
2	D202	0401-000005	DIODE-SWITCHING;1N4148,100V,200mA,DO-35,		2	J122	3812-000219	WIRE-NO SHEATH CU;TCWA,300V,52mm(TAPING)	
2	D207	0401-000005	DIODE-SWITCHING;1N4148,100V,200mA,DO-35,		2	J123	3812-000219	WIRE-NO SHEATH CU;TCWA,300V,52mm(TAPING)	
2	D208	0401-000005	DIODE-SWITCHING;1N4148,100V,200mA,DO-35,		2	J124	3812-000219	WIRE-NO SHEATH CU;TCWA,300V,52mm(TAPING)	
2	D209	0401-000005	DIODE-SWITCHING;1N4148,100V,200mA,DO-35,		2	J203	3812-000219	WIRE-NO SHEATH CU;TCWA,300V,52mm(TAPING)	
2	D210	0401-000005	DIODE-SWITCHING;1N4148,100V,200mA,DO-35,		2	J205	3812-000219	WIRE-NO SHEATH CU;TCWA,300V,52mm(TAPING)	
2	D211	0401-000005	DIODE-SWITCHING;1N4148,100V,200mA,DO-35,		2	J206	3812-000219	WIRE-NO SHEATH CU;TCWA,300V,52mm(TAPING)	
2	D602	0401-000005	DIODE-SWITCHING;1N4148,100V,200mA,DO-35,		2	J207	3812-000219	WIRE-NO SHEATH CU;TCWA,300V,52mm(TAPING)	





Level	Loc. No.	Code No.	Description ; Specification	Remark	Level	Loc. No.	Code No.	Description ; Specification	Remark
2	EL811	AA60-40011B	K EYELET;ID2,2,OD3.2,BSP		2	L412	3301-000287	CORE-FERRITE BEAD;AA,3.5x1.0x6.0mm,1500,	
2	R236	2001-000515	R-CARBON;220OHM,5%,1/8W,AA,TP,1.8X3.2MM		2	L407	2901-000297	FILTER-EMI ON BOARD;-;3A,-,-,3.5x5,TP-	
2	R237	2001-000515	R-CARBON;220OHM,5%,1/8W,AA,TP,1.8X3.2MM		2	L807	2901-000297	FILTER-EMI ON BOARD;-;3A,-,-,3.5x5,TP-	
2	R238	2001-000515	R-CARBON;220OHM,5%,1/8W,AA,TP,1.8X3.2MM		2	L601	2901-000297	FILTER-EMI ON BOARD;-;3A,-,-,3.5x5,TP-	
2	R247	2001-000515	R-CARBON;220OHM,5%,1/8W,AA,TP,1.8X3.2MM		2	L609	2901-000297	FILTER-EMI ON BOARD;-;3A,-,-,3.5x5,TP-	
2	R235	2001-000515	R-CARBON;220OHM,5%,1/8W,AA,TP,1.8X3.2MM		2	R233	2901-000297	FILTER-EMI ON BOARD;-;3A,-,-,3.5x5,TP-	
2	R622	2001-000577	R-CARBON;2KOHM,5%,1/8W,AA,TP,1.8X3.2MM		2	C233	2901-000297	FILTER-EMI ON BOARD;-;3A,-,-,3.5x5,TP-	
2	R621	2001-000577	R-CARBON;2KOHM,5%,1/8W,AA,TP,1.8X3.2MM		2	C234	2901-000297	FILTER-EMI ON BOARD;-;3A,-,-,3.5x5,TP-	
2	R935	2001-000290	R-CARBON;1KOHM,5%,1/8W,AA,TP,1.8X3.2MM		2	C235	2901-000297	FILTER-EMI ON BOARD;-;3A,-,-,3.5x5,TP-	
2	R202	2001-000290	R-CARBON;1KOHM,5%,1/8W,AA,TP,1.8X3.2MM		2	L201	2901-000297	FILTER-EMI ON BOARD;-;3A,-,-,3.5x5,TP-	
2	R205	2001-000290	R-CARBON;1KOHM,5%,1/8W,AA,TP,1.8X3.2MM		2	L604	2701-000169	INDUCTOR-AXIAL;3.9uH,10%,2.5x3.4mm	
2	R243	2001-000290	R-CARBON;1KOHM,5%,1/8W,AA,TP,1.8X3.2MM		2	Q201	0501-000389	TR-SMALL SIGNAL;KSC815,NPN,400mW,TO-92,T	
2	R245	2001-000290	R-CARBON;1KOHM,5%,1/8W,AA,TP,1.8X3.2MM		2	Q202	0501-000389	TR-SMALL SIGNAL;KSC815,NPN,400mW,TO-92,T	
2	R246	2001-000290	R-CARBON;1KOHM,5%,1/8W,AA,TP,1.8X3.2MM		2	Q203	0501-000389	TR-SMALL SIGNAL;KSC815,NPN,400mW,TO-92,T	
2	R310	2001-000290	R-CARBON;1KOHM,5%,1/8W,AA,TP,1.8X3.2MM		2	Q901	0501-000389	TR-SMALL SIGNAL;KSC815,NPN,400mW,TO-92,T	
2	R716	2001-000290	R-CARBON;1KOHM,5%,1/8W,AA,TP,1.8X3.2MM		2	Q906	0501-000389	TR-SMALL SIGNAL;KSC815,NPN,400mW,TO-92,T	
2	R715	2001-000290	R-CARBON;1KOHM,5%,1/8W,AA,TP,1.8X3.2MM		2	Q908	0501-000389	TR-SMALL SIGNAL;KSC815,NPN,400mW,TO-92,T	
2	R606	2001-000290	R-CARBON;1KOHM,5%,1/8W,AA,TP,1.8X3.2MM		2	Q701	0501-000389	TR-SMALL SIGNAL;KSC815,NPN,400mW,TO-92,T	
2	R620	2001-000290	R-CARBON;1KOHM,5%,1/8W,AA,TP,1.8X3.2MM		2	Q204	0501-000389	TR-SMALL SIGNAL;KSC815,NPN,400mW,TO-92,T	
2	R629	2001-000290	R-CARBON;1KOHM,5%,1/8W,AA,TP,1.8X3.2MM		2	Q601	0501-000389	TR-SMALL SIGNAL;KSC815,NPN,400mW,TO-92,T	
2	R309	2001-000290	R-CARBON;1KOHM,5%,1/8W,AA,TP,1.8X3.2MM		2	Q907	0501-000389	TR-SMALL SIGNAL;KSC815,NPN,400mW,TO-92,T	
2	R206	2001-000290	R-CARBON;1KOHM,5%,1/8W,AA,TP,1.8X3.2MM		2	R244	2001-000786	R-CARBON;47KOHM,5%,1/8W,AA,TP,1.8X3.2MM	
2	R609	2001-000290	R-CARBON;1KOHM,5%,1/8W,AA,TP,1.8X3.2MM		2	R954	2001-000786	R-CARBON;47KOHM,5%,1/8W,AA,TP,1.8X3.2MM	
2	R211	2001-000290	R-CARBON;1KOHM,5%,1/8W,AA,TP,1.8X3.2MM		2	R215	2001-000522	R-CARBON;22KOHM,5%,1/8W,AA,TP,1.8X3.2MM	
2	R912	2001-000290	R-CARBON;1KOHM,5%,1/8W,AA,TP,1.8X3.2MM		2	R823	2001-000522	R-CARBON;22KOHM,5%,1/8W,AA,TP,1.8X3.2MM	
2	R952	2001-000290	R-CARBON;1KOHM,5%,1/8W,AA,TP,1.8X3.2MM		2	R910	2001-000522	R-CARBON;22KOHM,5%,1/8W,AA,TP,1.8X3.2MM	
2	R940	2001-000281	R-CARBON;100OHM,5%,1/8W,AA,TP,1.8X3.2MM		2	R216	2001-000429	R-CARBON;1KOHM,5%,1/8W,AA,TP,1.8X3.2MM	
2	R941	2001-000281	R-CARBON;100OHM,5%,1/8W,AA,TP,1.8X3.2MM		2	R603	2001-000429	R-CARBON;1KOHM,5%,1/8W,AA,TP,1.8X3.2MM	
2	R942	2001-000281	R-CARBON;100OHM,5%,1/8W,AA,TP,1.8X3.2MM		2	R817	2001-000429	R-CARBON;1KOHM,5%,1/8W,AA,TP,1.8X3.2MM	
2	R947	2001-000281	R-CARBON;100OHM,5%,1/8W,AA,TP,1.8X3.2MM		2	R924	2001-000429	R-CARBON;1KOHM,5%,1/8W,AA,TP,1.8X3.2MM	
2	R948	2001-000281	R-CARBON;100OHM,5%,1/8W,AA,TP,1.8X3.2MM		2	R914	2001-000429	R-CARBON;1KOHM,5%,1/8W,AA,TP,1.8X3.2MM	
2	R102	2001-000281	R-CARBON;100OHM,5%,1/8W,AA,TP,1.8X3.2MM		2	R936	2001-000429	R-CARBON;1KOHM,5%,1/8W,AA,TP,1.8X3.2MM	
2	R103	2001-000281	R-CARBON;100OHM,5%,1/8W,AA,TP,1.8X3.2MM		2	R252	2001-000429	R-CARBON;1KOHM,5%,1/8W,AA,TP,1.8X3.2MM	
2	R203	2001-000281	R-CARBON;100OHM,5%,1/8W,AA,TP,1.8X3.2MM		2	R726	2001-000429	R-CARBON;1KOHM,5%,1/8W,AA,TP,1.8X3.2MM	
2	R204	2001-000281	R-CARBON;100OHM,5%,1/8W,AA,TP,1.8X3.2MM		2	R209	2001-000429	R-CARBON;1KOHM,5%,1/8W,AA,TP,1.8X3.2MM	
2	R604	2001-000281	R-CARBON;100OHM,5%,1/8W,AA,TP,1.8X3.2MM		2	R254	2001-000429	R-CARBON;1KOHM,5%,1/8W,AA,TP,1.8X3.2MM	
2	R605	2001-000281	R-CARBON;100OHM,5%,1/8W,AA,TP,1.8X3.2MM		2	R601	2001-000429	R-CARBON;1KOHM,5%,1/8W,AA,TP,1.8X3.2MM	
2	R610	2001-000281	R-CARBON;100OHM,5%,1/8W,AA,TP,1.8X3.2MM		2	R602	2001-000429	R-CARBON;1KOHM,5%,1/8W,AA,TP,1.8X3.2MM	
2	R611	2001-000281	R-CARBON;100OHM,5%,1/8W,AA,TP,1.8X3.2MM		2	R902	2001-000429	R-CARBON;1KOHM,5%,1/8W,AA,TP,1.8X3.2MM	
2	R612	2001-000281	R-CARBON;100OHM,5%,1/8W,AA,TP,1.8X3.2MM		2	R816	2001-000429	R-CARBON;1KOHM,5%,1/8W,AA,TP,1.8X3.2MM	
2	R613	2001-000281	R-CARBON;100OHM,5%,1/8W,AA,TP,1.8X3.2MM		2	R228	2001-000117	R-CARBON(S);680OHM,5%,1/2W,AA,TP,2.4X6.4M	
2	R628	2001-000281	R-CARBON;100OHM,5%,1/8W,AA,TP,1.8X3.2MM		2	R303	2001-000016	R-CARBON(S);10HM,5%,1/2W,AA,TP,2.4X6.4MM	
2	R627	2001-000281	R-CARBON;100OHM,5%,1/8W,AA,TP,1.8X3.2MM		2	R404	2001-000016	R-CARBON(S);10HM,5%,1/2W,AA,TP,2.4X6.4MM	
2	R723	2001-000281	R-CARBON;100OHM,5%,1/8W,AA,TP,1.8X3.2MM		2	L401	2001-000016	R-CARBON(S);10HM,5%,1/2W,AA,TP,2.4X6.4MM	
2	R909	2001-000281	R-CARBON;100OHM,5%,1/8W,AA,TP,1.8X3.2MM		2	R828	2008-000266	R-FUSIBLE(S);1ohm,5%,2W,AF,TP,3.9x10mm	
2	R907	2001-000281	R-CARBON;100OHM,5%,1/8W,AA,TP,1.8X3.2MM		2	R314	2004-001984	R-METAL(S);26.7kohm,1%,1/2W,AA,TP,2.4x6	
2	R904	2001-000281	R-CARBON;100OHM,5%,1/8W,AA,TP,1.8X3.2MM		2	R411	2001-000028	R-CARBON(S);100OHM,5%,1/2W,AA,TP,2.4X6.4	
2	R925	2001-000281	R-CARBON;100OHM,5%,1/8W,AA,TP,1.8X3.2MM		2	R412	2001-000020	R-CARBON(S);220HM,5%,1/2W,AA,TP,2.4X6.4M	
2	R920	2001-000281	R-CARBON;100OHM,5%,1/8W,AA,TP,1.8X3.2MM		2	R422	2001-000020	R-CARBON(S);220HM,5%,1/2W,AA,TP,2.4X6.4M	
2	R955	2001-000281	R-CARBON;100OHM,5%,1/8W,AA,TP,1.8X3.2MM		2	R421	2001-001093	R-CARBON(S);2.2KOHM,5%,1/2W,AA,TP,2.4X6	
△	RY801S	2002-001011	R-COMPOSITION;3.3Mohm,5%,1/2W,AA,TP,3.7x		2	R913	2001-000947	R-CARBON;7.5KOHM,5%,1/8W,AA,TP,1.8X3.2M	
△	RY802S	2002-001013	R-COMPOSITION;4.7Mohm,5%,1/2W,AA,TP,3.7x		2	R426	2003-000540	R-METAL OXIDE(S);1Kohm,5%,2W,AF,TP,4x12m	
△	VP801S	1405-000187	VARIATOR;750V,1250A,12.5x7mm,TP		2	R614	2001-000780	R-CARBON;470OHM,5%,1/8W,AA,TP,1.8X3.2MM	
△	VX801S	1405-000187	VARIATOR;750V,1250A,12.5x7mm,TP		2	R615	2001-000780	R-CARBON;470OHM,5%,1/8W,AA,TP,1.8X3.2MM	
2	X901	2801-003728	CRYSTAL UNIT;6MHz,30ppm,28-AAAM,20pf,40oh		2	R616	2001-000780	R-CARBON;470OHM,5%,1/8W,AA,TP,1.8X3.2MM	
2	L103	2701-000115	INDUCTOR-AXIAL;10uH,10%,3x7mm		2	R617	2001-000780	R-CARBON;470OHM,5%,1/8W,AA,TP,1.8X3.2MM	
2	C707	2401-000939	C-AL;22uF,20%,25V,GP,TP,5x11,5		2	R920	2001-000780	R-CARBON;470OHM,5%,1/8W,AA,TP,1.8X3.2MM	
2	L202	2701-000114	INDUCTOR-AXIAL;10uH,10%,2.5x3.4mm		2	R226	2001-000780	R-CARBON;470OHM,5%,1/8W,AA,TP,1.8X3.2MM	
2	L301	2701-000114	INDUCTOR-AXIAL;10uH,10%,2.5x3.4mm		2	R224	2001-000780	R-CARBON;470OHM,5%,1/8W,AA,TP,1.8X3.2MM	
2	L406	2701-000114	INDUCTOR-AXIAL;10uH,10%,2.5x3.4mm		2	R225	2001-000780	R-CARBON;470OHM,5%,1/8W,AA,TP,1.8X3.2MM	
2	L907	2701-000114	INDUCTOR-AXIAL;10uH,10%,2.5x3.4mm		2	R812	2001-000780	R-CARBON;470OHM,5%,1/8W,AA,TP,1.8X3.2MM	
2	L711	2701-000114	INDUCTOR-AXIAL;10uH,10%,2.5x3.4mm		2	R831	2001-000780	R-CARBON;470OHM,5%,1/8W,AA,TP,1.8X3.2MM	
2	L108	2701-000114	INDUCTOR-AXIAL;10uH,10%,2.5x3.4mm		2	R931	2001-000780	R-CARBON;470OHM,5%,1/8W,AA,TP,1.8X3.2MM	
2	L109	2701-000114	INDUCTOR-AXIAL;10uH,10%,2.5x3.4mm		2	R956	2001-000780	R-CARBON;470OHM,5%,1/8W,AA,TP,1.8X3.2MM	
2	R706	2701-000114	INDUCTOR-AXIAL;10uH,10%,2.5x3.4mm		2	R919	2001-000780	R-CARBON;470OHM,5%,1/8W,AA,TP,1.8X3.2MM	
2	R707	2701-000114	INDUCTOR-AXIAL;10uH,10%,2.5x3.4mm		2	R214	2001-000411	R-CARBON;18KOHM,5%,1/8W,AA,TP,1.8X3.2MM	
2	R708	2701-000114	INDUCTOR-AXIAL;10uH,10%,2.5x3.4mm		2	R802	2003-001025	R-METAL OXIDE(S);15Kohm,5%,2W,AF,TP,3.9x	
2	L302	3301-000287	CORE-FERRITE BEAD;AA,3.5x1.0x6.0mm,1500,		2	R803	2003-001025	R-METAL OXIDE(S);15Kohm,5%,2W,AF,TP,3.9x	
2	L802	3301-000287	CORE-FERRITE BEAD;AA,3.5x1.0x6.0mm,1500,		2	R804	2003-001025	R-METAL OXIDE(S);15Kohm,5%,2W,AF,TP,3.9x	
2	L803	3301-000287	CORE-FERRITE BEAD;AA,3.5x1.0x6.0mm,1500,		2	R805	2001-001150	R-CARBON(S);470KOHM,5%,1/2W,AA,TP,2.4X6	
2	L809	3301-000287	CORE-FERRITE BEAD;AA,3.5x1.0x6.0mm,1500,		2	R806	2001-001150	R-CARBON(S);470KOHM,5%,1/2W,AA,TP,2.4X6	
2	J901	3301-000287	CORE-FERRITE BEAD;AA,3.5x1.0x6.0mm,1500,		2	R813	2001-001153	R-CARBON(S);470HM,5%,1/2W,AA,TP,2.4X6.4M	
2	L303	3301-000287	CORE-FERRITE BEAD;AA,3.5x1.0x6.0mm,1500,		2	R832	2001-001153	R-CARBON(S);470HM,5%,1/2W,AA,TP,2.4X6.4M	
2	L207	3301-000287	CORE-FERRITE BEAD;AA,3.5x1.0x6.0mm,1500,		2	R810	2001-001178	R-CARBON(S);680OHM,5%,1/2W,AA,TP,2.4X6.4	
2	J406	3301-000287	CORE-FERRITE BEAD;AA,3.5x1.0x6.0mm,1500,		2	R418	2001-001178	R-CARBON(S);680OHM,5%,1/2W,AA,TP,2.4X6.4	
					2	R819	2004-001983	R-METAL(S);2.49Kohm,1%,1/2W,AA,TP,2.4x6	

Level	Loc. No.	Code No.	Description ; Specification	Remark	Level	Loc. No.	Code No.	Description ; Specification	Remark
2	R301	2004-001983	R-METAL(S);2.49Kohm,1%,1/2W,AA,TP,2.4x6.		2	R241	2001-000938	R-CARBON;680OHM,5%,1/8W,AA,TP,1.8X3.2MM	
2	R820	2001-001096	R-CARBON(S);2.20HM,5%,1/2W,AA,TP,2.4X6.4		2	R811	2004-001408	R-METAL(S);91Kohm,1%,1/2W,AA,TP,2.4x6.4m	
2	R822	2001-000273	R-CARBON;100KOHM,5%,1/8W,AA,TP,1.8X3.2M		2	R809	2001-000022	R-CARBON(S);330HM,5%,1/2W,AA,TP,2.4X6.4M	
2	R824	2001-000273	R-CARBON;100KOHM,5%,1/8W,AA,TP,1.8X3.2M		2	L901	2702-001094	INDUCTOR-RADIAL;10uH,10%,6x4mm	
2	R825	2001-000066	R-CARBON(S);10KOHM,5%,1/2W,AA,TP,2.4X6.4		2	L903	2702-001094	INDUCTOR-RADIAL;10uH,10%,6x4mm	
2	R901	2001-000734	R-CARBON;4.7KOHM,5%,1/8W,AA,TP,1.8X3.2M		2	L904	2702-001094	INDUCTOR-RADIAL;10uH,10%,6x4mm	
2	R903	2001-000734	R-CARBON;4.7KOHM,5%,1/8W,AA,TP,1.8X3.2M		2	L909	2701-000191	INDUCTOR-AXIAL;47uH,10%,2.5x3.4mm	
2	R904	2001-000734	R-CARBON;4.7KOHM,5%,1/8W,AA,TP,1.8X3.2M		2	L908	2701-000191	INDUCTOR-AXIAL;47uH,10%,2.5x3.4mm	
2	R905	2001-000734	R-CARBON;4.7KOHM,5%,1/8W,AA,TP,1.8X3.2M		2	R818	2001-001113	R-CARBON(S);270KOHM,5%,1/2W,AA,TP,2.4X6.	
2	R906	2001-000734	R-CARBON;4.7KOHM,5%,1/8W,AA,TP,1.8X3.2M		2	CN702	3711-002647	CONNECTOR-HEADER;BOX,8P,1R,2.5mm,STRAIGH	
2	R908	2001-000734	R-CARBON;4.7KOHM,5%,1/8W,AA,TP,1.8X3.2M		2	C656	2201-000304	C-CERAMIC,DISC;0.001nf,0.25pF,50V,NP0,TP	
2	R921	2001-000734	R-CARBON;4.7KOHM,5%,1/8W,AA,TP,1.8X3.2M		2	C657	2201-000304	C-CERAMIC,DISC;0.001nf,0.25pF,50V,NP0,TP	
2	R927	2001-000734	R-CARBON;4.7KOHM,5%,1/8W,AA,TP,1.8X3.2M		2	C306	2301-000342	C-FILM,PEF;2.2nf,5%,50V,TP,7.4x3.9x13mm,	
2	R928	2001-000734	R-CARBON;4.7KOHM,5%,1/8W,AA,TP,1.8X3.2M		2	C415	2301-000342	C-FILM,PEF;2.2nf,5%,50V,TP,7.4x3.9x13mm,	
2	R937	2001-000734	R-CARBON;4.7KOHM,5%,1/8W,AA,TP,1.8X3.2M		2	C621	2401-002458	C-AL;1000uf,20%,35V,GP,TP,16x25,7.5	
2	R833	2001-000734	R-CARBON;4.7KOHM,5%,1/8W,AA,TP,1.8X3.2M		2	C824	2401-003046	C-AL;47uf,20%,50V,WT,TP,6.3x11,2.5	
2	R724	2001-000734	R-CARBON;4.7KOHM,5%,1/8W,AA,TP,1.8X3.2M		2	C823	2401-003046	C-AL;47uf,20%,50V,WT,TP,6.3x11,2.5	
2	R725	2001-000734	R-CARBON;4.7KOHM,5%,1/8W,AA,TP,1.8X3.2M		2	C115	2202-000121	C-CERAMIC,MLC-AXIAL;100pf,10%,50V,Y5P,TP	
2	R253	2001-000734	R-CARBON;4.7KOHM,5%,1/8W,AA,TP,1.8X3.2M		2	C116	2202-000121	C-CERAMIC,MLC-AXIAL;100pf,10%,50V,Y5P,TP	
2	R248	2001-000003	R-CARBON;330ohm,5%,1/8W,AA,TP,1.8x3.2mm		2	C701	2202-000121	C-CERAMIC,MLC-AXIAL;100pf,10%,50V,Y5P,TP	
2	R249	2001-000003	R-CARBON;330ohm,5%,1/8W,AA,TP,1.8x3.2mm		2	L209	2701-000168	INDUCTOR-AXIAL;3.3uH,5%,2.5x3.4mm	
2	R250	2001-000003	R-CARBON;330ohm,5%,1/8W,AA,TP,1.8x3.2mm		2	L210	2701-000168	INDUCTOR-AXIAL;3.3uH,5%,2.5x3.4mm	
2	R911	2001-000003	R-CARBON;330ohm,5%,1/8W,AA,TP,1.8x3.2mm		2	L801	3301-001223	CORE-FERRITE BEAD;AA,62ohm,3.5x0.8x5mm,-	
2	R922	2001-000924	R-CARBON;680OHM,5%,1/8W,AA,TP,1.8X3.2MM		2	L806	3301-001223	CORE-FERRITE BEAD;AA,62ohm,3.5x0.8x5mm,-	
2	R923	2001-000924	R-CARBON;680OHM,5%,1/8W,AA,TP,1.8X3.2MM		2	R945	2001-000449	R-CARBON;2.2KOHM,5%,1/8W,AA,TP,1.8X3.2M	
2	C833	2401-002619	C-AL;47uf,20%,25V,GP,TP,5x11,5		2	R946	2001-000449	R-CARBON;2.2KOHM,5%,1/8W,AA,TP,1.8X3.2M	
2	C229	2401-002619	C-AL;47uf,20%,25V,GP,TP,5x11,5		2	R821	2004-004999	R-METAL(S);143Kohm,1%,1/2W,AA,TP,2.4X6.5	
2	CN602	3711-002644	CONNECTOR-HEADER;BOX,5P,1R,2.5mm,STRAIGH		2	R210	2001-000812	R-CARBON;5.6KOHM,5%,1/8W,AA,TP,1.8X3.2M	
2	CN901	3711-002644	CONNECTOR-HEADER;BOX,5P,1R,2.5mm,STRAIGH		2	C835	2401-002289	C-AL;47uf,20%,35V,WT,TP,10x20,5	
2	CN903	3711-002642	CONNECTOR-HEADER;BOX,3P,1R,2.5mm,STRAIGH		2	C840	2401-002212	C-AL;10uf,20%,25V,WT,TP,5x11,2.5	
2	CW901	2503-000156	C-NETWORK;100pfX4,20%,50V		2	C827	2401-002212	C-AL;10uf,20%,25V,WT,TP,5x11,5	
2	D203	0404-000156	DIODE-SCHOTTKY;RB441Q,10V,100mA,DO-34,TP		2	R417	2004-001397	R-METAL(S);4.7Kohm,1%,1/2W,AA,TP,2.4x6.4	
2	D204	0404-000156	DIODE-SCHOTTKY;RB441Q,10V,100mA,DO-34,TP		2	CN502	3711-002646	CONNECTOR-HEADER;BOX,7P,1R,2.5mm,STRAIGH	
2	D205	0404-000156	DIODE-SCHOTTKY;RB441Q,10V,100mA,DO-34,TP		2	R808	2001-001079	R-CARBON(S);150OHM,5%,1/2W,AA,TP,2.4X6.4M	
2	D206	0404-000156	DIODE-SCHOTTKY;RB441Q,10V,100mA,DO-34,TP		2	R304	2008-000254	R-FUSIBLE(S);0.68ohm,5%,2W,AF,TP,3.9x10m	
2	D901	0404-000156	DIODE-SCHOTTKY;RB441Q,10V,100mA,DO-34,TP		2	R307	2008-000254	R-FUSIBLE(S);0.68ohm,5%,2W,AF,TP,3.9x10m	
2	D902	0404-000156	DIODE-SCHOTTKY;RB441Q,10V,100mA,DO-34,TP		2	R425	2008-001011	R-FUSIBLE(S);0.18ohm,10%,2W,AF,TP,3.9x10	
2	D903	0404-000156	DIODE-SCHOTTKY;RB441Q,10V,100mA,DO-34,TP		2		HA68-02176A	LABEL,LABEL	
2	D904	0404-000156	DIODE-SCHOTTKY;RB441Q,10V,100mA,DO-34,TP		2	R423	2001-001122	R-CARBON(S);3.9KOHM,5%,1/2W,AA,TP,2.4X6.	
2	DZ803	0403-001167	DIODE-ZENER;MTZJ30D,30V,29.02-30.51V,500		2	C654	2201-000611	C-CERAMIC,DISC;0.056nf,5%,50V,NP0,TP,7x3	
△	FA802S	3601-001086	FUSE-AXIAL LEAD;125V,5A,FAST-ACTING,GLAS		2	C425	2301-001259	C-FILM,MPPF;100nf,5%,400V,TP,19x8x16,7.5	
2	HIC201	AA13-00093A	IC HYBRID;-,DRGB001A,SIP5P,-,TP		2	C622	2401-001989	C-AL;4.7uf,20%,50V,BP,TP,5x11,5	
2	HIC202	AA13-00093A	IC HYBRID;-,DRGB001A,SIP5P,-,TP		2	C625	2401-001989	C-AL;4.7uf,20%,50V,BP,TP,5x11,5	
2	HIC203	AA13-00093A	IC HYBRID;-,DRGB001A,SIP5P,-,TP		2	C626	2401-001989	C-AL;4.7uf,20%,50V,BP,TP,5x11,5	
2	HIC204	AA13-00093A	IC HYBRID;-,DRGB001A,SIP5P,-,TP		2	C628	2401-001989	C-AL;4.7uf,20%,50V,BP,TP,5x11,5	
2	R409	2003-001018	R-METAL OXIDE(S);220ohm,5%,2W,AF,TP,3.9x		2	C104	2401-002463	C-AL;470uf,20%,16V,WT,TP,8x11,5.5	
2	R410	2003-001018	R-METAL OXIDE(S);220ohm,5%,2W,AF,TP,3.9x		2	C808	2401-003046	C-AL;47uf,20%,50V,WT,TP,6.3x11,2.5	
2	R413	2008-001018	R-FUSIBLE(S);0.47ohm,10%,2W,AF,TP,3.9x10		2	D301	0402-001105	DIODE-RECTIFIER;ERB43-04SV1,400V,1.0A,-,	
2	R424	2008-001018	R-FUSIBLE(S);0.47ohm,10%,2W,AF,TP,3.9x10		2	D803	0402-001105	DIODE-RECTIFIER;ERB43-04SV1,400V,1.0A,-,	
2	R827	2008-000284	R-FUSIBLE(S);0.10HM,10%,2W,AF,TP,3.9X10M		△	D816	0402-001105	DIODE-RECTIFIER;ERB43-04SV1,400V,1.0A,-,	
2	R829	2008-001029	R-FUSIBLE(S);5.6ohm,5%,2W,AF,TP,3.9x10mm		2	DZ602	0403-000720	DIODE-ZENER;MTZJ9.1B,9.1V,8.57-9.01V,500	
2	R433	2003-001042	R-METAL OXIDE(S);5.6Kohm,5%,2W,AF,TP,3.9		2	R207	2001-000221	R-CARBON;1.2KOHM,5%,1/8W,AA,TP,1.8X3.2MM	
2	R717	2001-000702	R-CARBON;39KOHM,5%,1/8W,AA,TP,1.8X3.2MM		2	R208	2001-000405	R-CARBON;180OHM,5%,1/8W,AA,TP,1.8X3.2MM	
2	R718	2001-000702	R-CARBON;39KOHM,5%,1/8W,AA,TP,1.8X3.2MM		2	R414	2008-000253	R-FUSIBLE(S);0.47ohm,5%,1W,AF,TP,3.9x10m	
2	R105	2001-000702	R-CARBON;39KOHM,5%,1/8W,AA,TP,1.8X3.2MM		2	HIC401	AA13-00094A	IC HYBRID;-,DDR1001A,SIP5P,-,TP	
2	X601	2801-003903	CRYSTAL-UNIT;18.432MHz,25ppm,28-AAAM,12pf		2	C102	2401-001513	C-AL;47uf,20%,16V,WT,TP,5x11,5	
2	IC904	1203-001943	IC-VOL. DETECTOR;7025,TO-92,3P,-,PLASTIC		2	C913	2401-000287	C-AL;100uf,20%,16V,WT,TP,6.3x11,5	
2	PCB	AA41-00168H	PCB-MAIN;CS29A6,FR-1,1L,H,1.6T,330X245,K		2	C915	2401-000287	C-AL;100uf,20%,16V,WT,TP,6.3x11,5	
2	Q802	0501-000369	TR-SMALL SIGNAL;KSC2331-Y,NPN,1000mW,TO-		2	C918	2401-000287	C-AL;100uf,20%,16V,WT,TP,6.3x11,5	
2	Q909	0505-000109	FET-SILICON;2N7000,N,60V,200mA,5ohm,400m		2	C210	2401-000287	C-AL;100uf,20%,16V,WT,TP,6.3x11,5	
2	Q910	0505-000109	FET-SILICON;2N7000,N,60V,200mA,5ohm,400m		2	L102	2701-000159	INDUCTOR-AXIAL;22uH,10%,4.2x9.8mm	
2	R434	2003-001091	R-METAL OXIDE(S);10ohm,5%,2W,AF,TP,4x12m		2	R420	2004-004015	R-METAL(S);9.1Kohm,1%,1/2W,AA,TP,2.5x6.5	
2	R403	2003-001091	R-METAL OXIDE(S);10ohm,5%,2W,AF,TP,4x12m		2	C106	2401-000611	C-AL;1uf,20%,50V,WT,TP,5x11,5	
2	C113	2202-000127	C-CERAMIC,MLC-AXIAL;10nf,+80-20%,25V,Y5V		2	C303	2201-002103	C-CERAMIC,DISC;0.015nf,5%,500V,NP0,TP,6.	
2	C925	2202-000127	C-CERAMIC,MLC-AXIAL;10nf,+80-20%,25V,Y5V		2	C409	2303-001001	C-FILM,PPF;2.2nf,5%,630V,TP,18x14.5x8.5mm	
2	L605	2701-000180	INDUCTOR-AXIAL;33uH,5%,2.5x3.4mm		2	C411	2301-000445	C-FILM,PEF;4.7nf,5%,50V,TP,5.5x7.3x3mm,5mm	
2	L606	2701-000180	INDUCTOR-AXIAL;33uH,5%,2.5x3.4mm		2	C412	2301-000148	C-FILM,PEF;10nf,5%,100V,TP,7.3x2.7x7mm,5mm	
2	L607	2701-000180	INDUCTOR-AXIAL;33uH,5%,2.5x3.4mm		2	L905	2001-000995	R-CARBON;820OHM,5%,1/8W,AA,TP,1.8X3.2MM	
2	L608	2701-000180	INDUCTOR-AXIAL;33uH,5%,2.5x3.4mm		2	R302	2004-004029	R-METAL(S);10Kohm,1%,1/2W,AA,TP,2.5x6.5mm	
2	L701	2701-000180	INDUCTOR-AXIAL;33uH,5%,2.5x3.4mm		2	R305	2003-002205	R-METAL OXIDE(S);330ohm,5%,2W,AG,TP,3.9X	
2	L702	2701-000180	INDUCTOR-AXIAL;33uH,5%,2.5x3.4mm		2	R306	2003-002205	R-METAL OXIDE(S);330ohm,5%,2W,AG,TP,3.9X	
2	L705	2701-000180	INDUCTOR-AXIAL;33uH,5%,2.5x3.4mm		2	R401	2003-000586	R-METAL OXIDE(S);22Kohm,5%,2W,AF,TP,4x12	
2	L706	2701-000180	INDUCTOR-AXIAL;33uH,5%,2.5x3.4mm		2	R402	2003-000586	R-METAL OXIDE(S);22Kohm,5%,2W,AF,TP,4x12	
2	R106	2001-000864	R-CARBON;56KOHM,5%,1/8W,AA,TP,1.8X3.2MM		2	R415	2001-001055	R-CARBON(S);1.8KOHM,5%,1/2W,AA,TP,2.4X6.	
2	R313	2004-001137	R-METAL;6.8Kohm,1%,1/8W,AA,TP,1.8X3.2m		2	R607	2001-000007	R-CARBON;3KOHM,5%,1/8W,AA,TP,1.8X3.2MM	
2	R710	2001-000938	R-CARBON;680OHM,5%,1/8W,AA,TP,1.8X3.2MM		2	R608	2001-000007	R-CARBON;3KOHM,5%,1/8W,AA,TP,1.8X3.2MM	
2	R709	2001-000938	R-CARBON;680OHM,5%,1/8W,AA,TP,1.8X3.2MM		2	Rf12	2004-000218	R-METAL;10Kohm,1%,1/8W,AA,TP,1.8x3.2mm	

Electrical Parts List

Level	Loc. No.	Code No.	Description ; Specification	Remark	Level	Loc. No.	Code No.	Description ; Specification	Remark
△	2	FA803S	3601-001228	FUSE-AXIAL LEAD;125V,10A,FAST-ACTING,EPO		3	IC1	1204-001789	IC-VIDEO PROCESS;VPC3230D-B3,QFP80P,787
	2	R407	2001-001114	R-CARBON(S);2700HM,5%,1/2W,AA,TP,2.4X6.4		3	IC2	1204-001858	IC-PICTURE PROCESS;SDA9401,0FP64P,PLA
	2	C828	2201-000376	C-CERAMIC,DISC;0.22nF,5%,50V,SL,TP,6.3x3		3	JP1	2007-000070	R-CHIP;0ohm,5%,1/16W,DA,TP,1608
	2	R405	2008-001013	R-FUSIBLE(S);1.2ohm,5%,2W,AF,TP,3.9x10mm		3	R17	2007-000070	R-CHIP;0ohm,5%,1/16W,DA,TP,1608
	2	R704	2001-000969	R-CARBON;750HM,5%,1/8W,AA,TP,1.8X3.2MM		3	R19	2007-000070	R-CHIP;0ohm,5%,1/16W,DA,TP,1608
	2	R242	2001-000969	R-CARBON;750HM,5%,1/8W,AA,TP,1.8X3.2MM		3	R7	2007-000070	R-CHIP;0ohm,5%,1/16W,DA,TP,1608
	2	J919	2701-000183	INDUCTOR-AXIAL;39uH,5%,2.5x3.4mm		3	L1	2007-000070	R-CHIP;0ohm,5%,1/16W,DA,TP,1608
△	2	D408	0402-000493	DIODE-RECTIFIER;1R5GU41,400V,1.5A,DO-15L		3	R10	2007-000084	R-CHIP;4.7Kohm,5%,1/16W,DA,TP,1608
	2	R826	2003-001035	R-METAL OXIDE(S);27ohm,5%,2W,AF,TP,3.9x1		3	R1	2007-000090	R-CHIP;10KOHM,5%,1/16W,DA,TP,1608
	2	KEZ1	2303-000296	C-FILM,PPF;18nF,0.05,630V,BK,20x16x9.5mm		3	R2	2007-000090	R-CHIP;10KOHM,5%,1/16W,DA,TP,1608
	2	C410	2301-000213	C-FILM,PEF;220nF,5%,250V,TP,21.5x11.7,5		3	R3	2007-000090	R-CHIP;10KOHM,5%,1/16W,DA,TP,1608
	2	C427	2401-002267	C-AL;2.2uF,20%,250V,GP,TP,8x11.5,5		3	R4	2007-000090	R-CHIP;10KOHM,5%,1/16W,DA,TP,1608
△	2	D413	0402-000537	DIODE-RECTIFIER;RH1A,600V,0.6A,DO-204AC		3	R5	2007-000090	R-CHIP;10KOHM,5%,1/16W,DA,TP,1608
	2	R436	2003-002008	R-METAL OXIDE(S);18Kohm,5%,2W,AF,TP,3.9x		3	R13	2007-001166	R-CHIP;750HM,5%,1/10W,DA,TP,2012
	2	C203	2401-000480	C-AL;10uF,20%,50V,GP,TP,5x11.5		3	R14	2007-001166	R-CHIP;750HM,5%,1/10W,DA,TP,2012
	2	R944	2001-000613	R-CARBON;3.9KOHM,5%,1/8W,AA,TP,1.8X3.2M		3	R15	2007-001166	R-CHIP;750HM,5%,1/10W,DA,TP,2012
	2	L910	2701-000215	INDUCTOR-AXIAL;8.2uH,10%,2.5x3.4mm		3	R6	2007-001167	R-CHIP;75ohm,5%,1/16W,DA,TP,1608
	2	C926	2202-000154	C-CERAMIC,MLC-AXIAL;150pF,10%,50V,Y5P,TP		3	R9	2007-001167	R-CHIP;75ohm,5%,1/16W,DA,TP,1608
	2	L222	2701-000184	INDUCTOR-AXIAL;4.7uH,10%,2.5x3.4mm		3	CD3	2203-000041	C-CERAMIC,CHIP;0.01nF,0.25pF,50V,NP0,TP,
	2	R835	2003-002181	R-METAL OXIDE(S);68Kohm,5%,2W,AG,TP,3.9x		3	CD4	2203-000041	C-CERAMIC,CHIP;0.01nF,0.25pF,50V,NP0,TP,
	2	R836	2003-002181	R-METAL OXIDE(S);68Kohm,5%,2W,AG,TP,3.9x		3	C21	2203-000181	C-CERAMIC,CHIP;100nF,+80-20%,25V,Y5V,TP,
	2	L208	2701-000147	INDUCTOR-AXIAL;2.2uH,5%,2.4x3.4mm		3	C39	2203-000181	C-CERAMIC,CHIP;100nF,+80-20%,25V,Y5V,TP,
	2	C246	2202-000210	C-CERAMIC,MLC-AXIAL;270pF,10%,50V,Y5P,TP		3	C42	2203-000181	C-CERAMIC,CHIP;100nF,+80-20%,25V,Y5V,TP,
	2	C248	2202-000210	C-CERAMIC,MLC-AXIAL;270pF,10%,50V,Y5P,TP		3	C43	2203-000181	C-CERAMIC,CHIP;100nF,+80-20%,25V,Y5V,TP,
	2	C247	2202-000849	C-CERAMIC,MLC-AXIAL;18pF,5%,50V,CH,TP,3.		3	C44	2203-000181	C-CERAMIC,CHIP;100nF,+80-20%,25V,Y5V,TP,
	2	F801A	3602-000114	FUSE-HOLDER;-,30mohm		3	C51	2203-000181	C-CERAMIC,CHIP;100nF,+80-20%,25V,Y5V,TP,
	2	F801B	3602-000114	FUSE-HOLDER;-,30mohm		3	C52	2203-000181	C-CERAMIC,CHIP;100nF,+80-20%,25V,Y5V,TP,
△	2	FP801S	3601-000297	FUSE-CARTRIDGE;250V,5A,TIME-LAG,GLASS,5.		3	C53	2203-000181	C-CERAMIC,CHIP;100nF,+80-20%,25V,Y5V,TP,
△	2	RX801S	2002-001010	R-COMPOSITION;1.8Mohm,5%,1/2W,AA,TP,3.7x		3	C54	2203-000181	C-CERAMIC,CHIP;100nF,+80-20%,25V,Y5V,TP,
	2	R315	2004-000202	R-METAL(S);51Kohm,1%,1/2W,AA,TP,2.4x6.4m		3	C55	2203-000181	C-CERAMIC,CHIP;100nF,+80-20%,25V,Y5V,TP,
	2	IC901	AA09-00221A	IC MICOM;SIM806HEV2-A042,SIM806HEW2-A042		3	C56	2203-000181	C-CERAMIC,CHIP;100nF,+80-20%,25V,Y5V,TP,
	2	IC601	1204-001661	IC-SOUND PROCESSOR;MSP3411G-A2,DIP;52P,-		3	C57	2203-000181	C-CERAMIC,CHIP;100nF,+80-20%,25V,Y5V,TP,
△	2	T401	AA26-50001S	TRANS-HORIZ.DRIVE;-,6.0mH,44uH,-		3	C27	2203-000236	C-CERAMIC,CHIP;0.1nF,5%,50V,NP0,TP,1608
△	2	TU01S	AA40-00079A	TUNER;TCPW3001PD16A(S),PAL,181CH,38.		3	C33	2203-000236	C-CERAMIC,CHIP;0.1nF,5%,50V,NP0,TP,1608
	2		AA98-00245A	ASSY SUB PART;S51A,PCB MAIN(OPT)		3	C37	2203-000236	C-CERAMIC,CHIP;0.1nF,5%,50V,NP0,TP,1608
	3		0202-001222	SOLDER-WIRE FLUX;RS-107,RS60-1.2AA,D1,2.		3	C16	2203-000257	C-CERAMIC,CHIP;10nF,10%,50V,X7R,TP,1608
	3		0202-000187	SOLDER-WIRE FLUX;RS60S,D1.2,63Sn/37Pb		3	C1	2203-000491	C-CERAMIC,CHIP;2.2nF,10%,50V,X7R,TP,1608
	3		0202-001046	SOLDER-WIRE FLUX;CF-110VH-2A,-,-,-		3	C13	2203-000491	C-CERAMIC,CHIP;2.2nF,10%,50V,X7R,TP,1608
	3		0204-000442	SOLVENT;1M-1000,C3H7OH,96.-		3	C17	2203-000491	C-CERAMIC,CHIP;2.2nF,10%,50V,X7R,TP,1608
△	2	T801S	AA26-00046B	TRANS SWITCHING;CODE:NO,CW6844N8X/XEF,-		3	C18	2203-000491	C-CERAMIC,CHIP;2.2nF,10%,50V,X7R,TP,1608
△	2	IC804	HA96-00243C	ASSY-H/S;-;REGULATOR,AA62-00045A,KA7806		3	C2	2203-000491	C-CERAMIC,CHIP;2.2nF,10%,50V,X7R,TP,1608
	3		1203-000284	IC-POS.FIXED REG.;7806,TO-220,3P,-PLAS		3	C24	2203-000491	C-CERAMIC,CHIP;2.2nF,10%,50V,X7R,TP,1608
	3		6003-000333	SCREW-TAPTITE;RH,+2S,M3,L10,ZPC(YEL),SW		3	C25	2203-000491	C-CERAMIC,CHIP;2.2nF,10%,50V,X7R,TP,1608
	3		AA62-00065A	HEAT SINK-PS;DP,-,-;AA62-00045A,-,-,-		3	C26	2203-000491	C-CERAMIC,CHIP;2.2nF,10%,50V,X7R,TP,1608
	3		0205-000129	GREASE-SILICON;SC102,JAPAN		3	C5	2203-000491	C-CERAMIC,CHIP;2.2nF,10%,50V,X7R,TP,1608
	2	L408	AA27-00003P	COIL HORIZ. WIDTH;-,120uH/180uH,Th8x20,U		3	C7	2203-000491	C-CERAMIC,CHIP;2.2nF,10%,50V,X7R,TP,1608
△	2	LX801S	AA29-00015A	FILTER LINE NOISE;WS32W8,28-20MH,1.5A,+		3	C8	2203-000491	C-CERAMIC,CHIP;2.2nF,10%,50V,X7R,TP,1608
	2	L405	AA27-00057A	COIL HORIZ. WIDTH;-,10mH,YL-9N 15x27.5 C		3	C9	2203-000491	C-CERAMIC,CHIP;2.2nF,10%,50V,X7R,TP,1608
△	2	IC803	1203-001697	IC-VOLTAGE REGULATOR;78R08,TO-220,4P,-P		3	C20	2203-000552	C-CERAMIC,CHIP;0.02nF,5%,50V,NP0,TP,1608
	2	Q404	HA96-00437A	ASSY-H/S;ASSY-H/S;AA62-00076A,IRF620		3	C6	2203-000659	C-CERAMIC,CHIP;0.27nF,5%,50V,NP0,TP,1608
	3		0505-000156	FET-SILICON;IRF620,N,200V,5A,0.8ohm,50W,		3	C23	2203-000975	C-CERAMIC,CHIP;47nF,10%,25V,X7R,TP,1608
	3		6003-000333	SCREW-TAPTITE;RH,+2S,M3,L10,ZPC(YEL),SW		3	C3	2203-000975	C-CERAMIC,CHIP;47nF,10%,25V,X7R,TP,1608
	3		HA62-00076A	HEAT SINK;AL,100HZ,T1.0,10,40		3	C11	2203-001052	C-CERAMIC,CHIP;0.56nF,10%,50V,X7R,TP,160
	2	Q402	0505-001116	FET-SILICON;BUZ73A,N,200V,22A,0.6ohm,40W		3	C14	2203-001052	C-CERAMIC,CHIP;0.56nF,10%,50V,X7R,TP,160
△	2	CY802S	2201-002002	C-CERAMIC,DISC;4.7nF,20%,400V,Y5U,TP,16x		3	C19	2203-001052	C-CERAMIC,CHIP;0.56nF,10%,50V,X7R,TP,160
	2	C407	2301-001338	C-FILM,MPE-PPF;0.68nF,5%,1.6kV,TP,28x7x1		3	C4	2203-001052	C-CERAMIC,CHIP;0.56nF,10%,50V,X7R,TP,160
	2	C405	2303-001015	C-FILM,PPF;5.5nF,5%,1.6kV,TP,29x9.5x17.2		3	C22	2203-001256	C-CERAMIC,CHIP;0.08nF,0.25pF,50V,NP0,TP
	2	C406	2303-001015	C-FILM,PPF;5.5nF,5%,1.6kV,TP,29x9.5x17.2		3	C38	2203-001603	C-CERAMIC,CHIP;220nF,10%,16V,X7R,TP,2012
	2	C426	2306-000204	C-FILM,MPPF;430nF,5%,400V,TP,26x20.5x12.		3	C28	2203-002494	C-CERAMIC,CHIP;470nF,10%,16V,X7R,TP,2012
	2	IC903	1203-001944	IC-POS.FIXED REG.;78RM33,TO-220,3P,-PL		3	C32	2203-002494	C-CERAMIC,CHIP;470nF,10%,16V,X7R,TP,2012
	2	IC202	1203-001944	IC-POS.FIXED REG.;78RM33,TO-220,3P,-PL		3	C34	2203-002494	C-CERAMIC,CHIP;470nF,10%,16V,X7R,TP,2012
	2	C806	2401-003031	C-AL;470uF,20%,450V,GPBK,35x45mm,1		3	C36	2203-002494	C-CERAMIC,CHIP;470nF,10%,16V,X7R,TP,2012
	2	C820	2401-003076	C-AL;3300uF,20%,50V,WPBK,18x35.5mm		3	CE1	2401-000480	C-AL;10uF,20%,50V,GP,TP,5x11.5
	2	R807	2006-001083	R-CEMENT;120ohm,5%,5V,CJ,TP,14x10x27mm		3	CE2	2401-000480	C-AL;10uF,20%,50V,GP,TP,5x11.5
	2	C423	2301-001192	C-FILM,MPPF;820nF,5%,400V,TP,29x18.5x25.		3	CE4	2401-000480	C-AL;10uF,20%,50V,GP,TP,5x11.5
	2	TOP	AA39-20010B	LEAD CONNECTOR-ASSY;1P,YFH800-01,S,500,		3	CE5	2401-000480	C-AL;10uF,20%,50V,GP,TP,5x11.5
	2	L808	AA27-10002L	COIL CHOKE;-,24uH,K,-,2A,-,24UH-K,10x10mm		3	CE3	2401-001026	C-AL;3.3uF,20%,50V,GP,TP,5x11.5
	2	L402	AA27-10004F	COIL CHOKE;-,56uH,K,-,2.5A,BK,-,DR12x15,		3	L2	2702-001092	INDUCTOR-RADIAL;2.2uH,10%,6x4mm
△	2	T444S	AA26-00132A	TRANS FB;1372.0074A,CT29A6,1.8MH,135V		3	X2	2801-003432	CRYSTAL-UNIT;20.25MHZ,30PPM,28-AAM,13PF,
△	2	L403	AA27-00015A	COIL LINEARITY;-,7.3UH,L81 DR15X18,-,-,B		3	L3	3301-001324	CORE-FERRITE BEAD;AB,150HM,2X1.25X0.9MM,
△	2	IC201S	HA98-00134B	ASSY-SIPADOSS MODULE;DPKS3A,100HZ,SDA94		3	L4	3301-001324	CORE-FERRITE BEAD;AB,150HM,2X1.25X0.9MM,
	3		AA95-00989A	ASSY ETC-CHROMA BODY;DP,-,KS3A,-,100HZ		3	CN64	3711-004778	CONNECTOR-HEADER;NOWALL,64P,2R,2MM,ANGLE
	4	P1	3711-004782	CONNECTOR-HEADER;NOWALL,32P,1R,1.778MM,S		3	PCB	AA41-00475A	PCB-SIPADOSS TOP;CS29A5,FR-4,4L,A,1.6T,18
	4	P2	3711-004782	CONNECTOR-HEADER;NOWALL,32P,1R,1.778MM,S		2	CN801	3711-004721	CONNECTOR-HEADER;3WALL,2P,1R,12.5mm,STRA
	4	PCB	AA41-00411A	PCB-SIPADOSS BODY;CS29A5,FR-4,2L,A,1.6T,1		2	CN802	3711-004720	CONNECTOR-HEADER;3WALL,2P,1R,12.5mm,STRA
	3	IC3	1204-001909	IC-VIDEO PROCESS;DDP3310B-F,PLCC,68P,-		2	CN701A	AA39-00306A	LEAD CONNECTOR-ASSY;KS3A,UL2547#26,UL/CS



Level	Loc. No.	Code No.	Description ; Specification	Remark	Level	Loc. No.	Code No.	Description ; Specification	Remark
<b>ASSY CRT</b>									
1		HA94-50010A	ASSY CRT;W66EJU011X121,100Hz,28,WIDE A		2	C505	2305-000704	C-FILM,MPEF;100nF,5%,250V,TP;16.5x10.3x5	
△	2	AA03-00241A	CRT COLOR;A68QC;P691X300,+380MG,1.0MH,15.		2	C508	2305-000704	C-FILM,MPEF;100nF,5%,250V,TP;16.5x10.3x5	
2		AA39-20518A	LEAD CONNECTOR-ASSY;,6(4)P,YFH806-06,350		2	CF07	2305-000704	C-FILM,MPEF;100nF,5%,250V,TP;16.5x10.3x5	
2		AA27-00020A	COIL-DEGAUSSING;-,28,120HM,55T,L3000,E		2	C503	2201-000599	C-CERAMIC,DISC;0.56nF,10%,500V,Y5P,TP5.	
2		AA63-10002A	BAND-TIE,NYLON66 V2,L100,NTR		2	C506	2201-000599	C-CERAMIC,DISC;0.56nF,10%,500V,Y5P,TP5.	
2		AA98-70008D	ASSY TBC WIRE(P);-,28WIDE,PAL,2P,-		2	C509	2201-000599	C-CERAMIC,DISC;0.56nF,10%,500V,Y5P,TP5.	
<b>ASSY SUB-PCB CONTROL</b>									
1		AA95-01752B	ASSY SUB-PCB CONTROL;29M6,KS3A,AA95-0140		2	C511	2401-001232	C-AL;4.7uF,20%,250V,GP,TP;10x12.5,5	
2		0202-001222	SOLDER-WIRE FLUX;RS-107,RS60-1.2AA,D1,2.		2	C512	2401-000914	C-AL;22uF,20%,16V,GP,TP;5x11,5	
2		0202-000187	SOLDER-WIRE FLUX;-,RS60S,D1.2,63Sn/37Pb		2	C515	2401-000914	C-AL;22uF,20%,16V,GP,TP;5x11,5	
2		0204-000442	SOLVENT;1M-1000,C3H7OH,96.-		2	C526	2401-000914	C-AL;22uF,20%,16V,GP,TP;5x11,5	
2		0202-001046	SOLDER-WIRE FLUX;CF-110VH-2A,-,-,-,-		2	C514	2401-000430	C-AL;10uF,20%,250V,GP,TP;10x16mm,5m	
2	LDY01	0601-000198	LED;ROUND,RED/GRN,5.0mm,630/565nm		2	C518	2301-000224	C-FILM,PEF;22nF,5%,50V,TP;7.4x3.9x13mm,5	
△	2	SW811S	3403-001107 SWITCH-PUSH;250V,5A,DPST,-,KDC-A04		2	C519	2301-000224	C-FILM,PEF;22nF,5%,50V,TP;7.4x3.9x13mm,5	
△	2	PD811S	3711-004696 CONNECTOR-HEADER;NOWALL,3P1R,10/5mm,ANG		2	C520	2301-000224	C-FILM,PEF;22nF,5%,50V,TP;7.4x3.9x13mm,5	
△	2	PD812S	3711-004697 CONNECTOR-HEADER;NOWALL,3P1R,5/10mm,ANG		2	C521	2301-000224	C-FILM,PEF;22nF,5%,50V,TP;7.4x3.9x13mm,5	
2		6001-000057	SCREW-MACHINE,RH,+M3,L6,ZPC(BLK),SWRCH1		2	C522	2301-000224	C-FILM,PEF;22nF,5%,50V,TP;7.4x3.9x13mm,5	
2		6003-000333	SCREW-TAPTITE,RH,+2S,M3,L10,ZPC(YEL),SW		2	C523	2301-000224	C-FILM,PEF;22nF,5%,50V,TP;7.4x3.9x13mm,5	
2	CNY02	AA39-20005B	LEAD CONNECTOR-ASSY;,3P,YBNH025-03,67096		2	CF01	2201-000180	C-CERAMIC,DISC;10nF,10%,50V,Y5V,TP;7x3,5	
2	CNY01	AA39-20069D	LEAD CONNECTOR-ASSY;,5P,YBNH025-05,67096		2	CF02	2301-000192	C-FILM,PEF;1nF,5%,50V,TP;5.3x10mm,5mm	
2	CN811	AA39-20179A	LEAD CONNECTOR-ASSY;,3(2)P,YFH800-150,S,		2	C516	2301-000192	C-FILM,PEF;1nF,5%,50V,TP;5.3x10mm,5mm	
2	RMV01	AA32-00012A	MODULE REMOCON;ORC-50HF2,38KHZ,940NM,MES		2	CF03	2201-000376	C-CERAMIC,DISC;0.22nF,5%,50V,SL,TP6.3x3	
2		AA61-00530B	BRACKET-MASTER;25M6,29M6,SECC		2	CF04	2201-000653	C-CERAMIC,DISC;0.068nF,5%,50V,SL,TP5x3,	
2		AA63-10002A	BAND-TIE,NYLON66 V2,L100,NTR		2	CF05	2301-000261	C-FILM,PEF;4.7nF,5%,100V,TP;10.5x12.5x6.	
2	DY01	0401-000005	DIODE-SWITCHING;1N4148,100V,200mA,DO-35,		2	CF06	2201-000516	C-CERAMIC,DISC;4.7nF,+100-0%,500V,Y5U,TP	
2	DY02	0401-000005	DIODE-SWITCHING;1N4148,100V,200mA,DO-35,		2	CF08	2201-000604	C-CERAMIC,DISC;0.056nF,+100-0%,500V,SL,T	
2	DZY01	0403-000508	DIODE-ZENER;MTZJ5.6B,5.6V,5.45-5.73V,500		2	CF10	2401-001840	C-AL;100uF,20%,16V,GP,TP;6.3x11,5	
2	DZY02	0403-000508	DIODE-ZENER;MTZJ5.6B,5.6V,5.45-5.73V,500		2	CF12	2401-001840	C-AL;100uF,20%,16V,GP,TP;6.3x11,5	
2	RY03	2001-000007	R-CARBON;3KOHM,5%,1/8W,AA,TP,1.8X3.2MM		2	CF14	2401-000832	C-AL;220uF,20%,25V,GP,TP;8x11.5,5	
2	RY05	2001-000009	R-CARBON;20KOHM,5%,1/8W,AA,TP,1.8X3.2MM		2	D502	0402-000132	DIODE-RECTIFIER;1N4004,400V,1A,DO-41,TP	
2	RY01	2001-000020	R-CARBON(S);220HM,5%,1/2W,AA,TP,2.4X6.4M		2	D507	0402-001105	DIODE-RECTIFIER;ERB43-04SV1,400V,1.0A,-,	
2	RY02	2001-000577	R-CARBON;2KOHM,5%,1/8W,AA,TP,1.8X3.2MM		2	D508	0402-001105	DIODE-RECTIFIER;ERB43-04SV1,400V,1.0A,-,	
2	RY04	2001-000878	R-CARBON;6.2KOHM,5%,1/8W,AA,TP,1.8X3.2M		2	D509	0402-001105	DIODE-RECTIFIER;ERB43-04SV1,400V,1.0A,-,	
2	CY01	2401-002144	C-AL;47uF,20%,16V,GP,TP;5x11,5		2	D510	0402-001105	DIODE-RECTIFIER;ERB43-04SV1,400V,1.0A,-,	
2	LY01	2701-000114	INDUCTOR-AXIAL;10uH,10%,2.5x3.4mm		2	D511	0402-001105	DIODE-RECTIFIER;ERB43-04SV1,400V,1.0A,-,	
2	SWY02	3404-000282	SWITCH-TACT;12Vdc,50mA,120gf,6x6x5mm,SPS		2	D512	0402-001105	DIODE-RECTIFIER;ERB43-04SV1,400V,1.0A,-,	
2	SWY03	3404-000282	SWITCH-TACT;12Vdc,50mA,120gf,6x6x5mm,SPS		2	DF02	0402-001105	DIODE-RECTIFIER;ERB43-04SV1,400V,1.0A,-,	
2	SWY04	3404-000282	SWITCH-TACT;12Vdc,50mA,120gf,6x6x5mm,SPS		2	DF03	0402-001105	DIODE-RECTIFIER;ERB43-04SV1,400V,1.0A,-,	
2	SWY05	3404-000282	SWITCH-TACT;12Vdc,50mA,120gf,6x6x5mm,SPS		2	DF01	0401-000005	DIODE-SWITCHING;1N4148,100V,200mA,DO-35,	
2	SWY06	3404-000282	SWITCH-TACT;12Vdc,50mA,120gf,6x6x5mm,SPS		2	DF04	0401-000005	DIODE-SWITCHING;1N4148,100V,200mA,DO-35,	
2	PCB	AA41-00552A	PCB-CONTROL;29M6/25M6,CEM-1,1LA,1.6T,24		2	DZ503	0403-001211	DIODE-ZENER;MTZJ12B,11.44-12.03V,500MW,D	
2	EL01	AA60-40011A	K EYELET;ID2.0,OD2.8,BST		2	DZF01	0403-001039	DIODE-ZENER;MA2560,56V,52-60V,1W,DO-41,T	
2	EL02	AA60-40011A	K EYELET;ID2.0,OD2.8,BST		2	DZF02	0403-001039	DIODE-ZENER;MA2560,56V,52-60V,1W,DO-41,T	
2	EL03	AA60-40011A	K EYELET;ID2.0,OD2.8,BST		2	EL82	AA60-40011B	K EYELET;ID2.2,OD3.2,BSP	
2	EL04	AA60-40011A	K EYELET;ID2.0,OD2.8,BST		2	EL83	AA60-40011B	K EYELET;ID2.2,OD3.2,BSP	
<b>ASSY PCB CRT</b>									
1		AA95-01539A	ASSY PCB CRT,KS3A,28,W6-W7,100HZ		2	EL84	AA60-40011B	K EYELET;ID2.2,OD3.2,BSP	
2		AA63-10002A	BAND-TIE,NYLON66 V2,L100,NTR		2	EL85	AA60-40011B	K EYELET;ID2.2,OD3.2,BSP	
2	CN501A	3711-002641	CONNECTOR-HEADER;BOX,10P,1R,2.54mm,STRAI		2	EL86	AA60-40011B	K EYELET;ID2.2,OD3.2,BSP	
2	CN501A	AA39-00225A	LEAD CONNECTOR-ASSY;,10P,67096-010,S,600		2	EL87	AA60-40011B	K EYELET;ID2.2,OD3.2,BSP	
2	CN502A	3711-002646	CONNECTOR-HEADER;BOX,7P,1R,2.5mm,STRAIGH		2	EL88	AA60-40011B	K EYELET;ID2.2,OD3.2,BSP	
2	CN502E	AA39-20029K	LEAD CONNECTOR-ASSY;,7P,67096-007,S,400,		2	EL89	AA60-40011B	K EYELET;ID2.2,OD3.2,BSP	
2	CNF01	3711-002642	CONNECTOR-HEADER;BOX,3P1R,2.5mm,STRAIGH		2	EL90	AA60-40011B	K EYELET;ID2.2,OD3.2,BSP	
2	IC501	HA96-50151B	ASSY-H/S;-;AMP,AA61-10060A,TDA6111Q,-		2	EL91	AA60-40011B	K EYELET;ID2.2,OD3.2,BSP	
2	IC502	HA96-50151B	ASSY-H/S;-;AMP,AA61-10060A,TDA6111Q,-		2	EL92	AA60-40011B	K EYELET;ID2.2,OD3.2,BSP	
2	IC503	HA96-50151B	ASSY-H/S;-;AMP,AA61-10060A,TDA6111Q,-		2	EL94	AA60-40011B	K EYELET;ID2.2,OD3.2,BSP	
3		1201-000131	IC-VIDEO AMP;6111,SIP,9P,-,SINGLE,-,PLAS		2	GT504	AA60-40014A	PIN-GT,ASSY;AUTO	
3		6001-000057	SCREW-MACHINE,RH,+M3,L6,ZPC(BLK),SWRCH1		2	GT505	AA60-40014A	PIN-GT,ASSY;AUTO	
3		6021-000154	NUT-HEXAGON;2C,M3,ZPC(YEL),SM20C		2	GT507	AA60-40014A	PIN-GT,ASSY;AUTO	
3		AA61-10060A	BRACKET-TR;W3220,CUS-1 1/2H,TO.5,-,-,-		2	GT508	AA60-40014A	PIN-GT,ASSY;AUTO	
2	VA999	3704-000114	SOCKET-CRT;14P;29.1,35.5,SN,ISH09S/BK		2	GT506	AA60-40014A	PIN-GT,ASSY;AUTO	
2		HA68-02176A	LABEL;LABEL		2	J501	3812-000219	WIRE-NO SHEATH CU;TCWA,300V,52mm(TAPING)	
2	C502	2305-000704	C-FILM,MPEF;100nF,5%,250V,TP;16.5x10.3x5		2	J503	3812-000219	WIRE-NO SHEATH CU;TCWA,300V,52mm(TAPING)	
					2	J505	3812-000219	WIRE-NO SHEATH CU;TCWA,300V,52mm(TAPING)	
					2	J506	3812-000219	WIRE-NO SHEATH CU;TCWA,300V,52mm(TAPING)	
					2	J507	3812-000219	WIRE-NO SHEATH CU;TCWA,300V,52mm(TAPING)	
					2	J508	3812-000219	WIRE-NO SHEATH CU;TCWA,300V,52mm(TAPING)	
					2	J509	3812-000219	WIRE-NO SHEATH CU;TCWA,300V,52mm(TAPING)	
					2	J510	3812-000219	WIRE-NO SHEATH CU;TCWA,300V,52mm(TAPING)	
					2	J511	3812-000219	WIRE-NO SHEATH CU;TCWA,300V,52mm(TAPING)	
					2	JF01	3812-000219	WIRE-NO SHEATH CU;TCWA,300V,52mm(TAPING)	
					2	JF02	3812-000219	WIRE-NO SHEATH CU;TCWA,300V,52mm(TAPING)	
					2	JF03	3812-000219	WIRE-NO SHEATH CU;TCWA,300V,52mm(TAPING)	
					2	JF04	3812-000219	WIRE-NO SHEATH CU;TCWA,300V,52mm(TAPING)	
					2	JF05	3812-000219	WIRE-NO SHEATH CU;TCWA,300V,52mm(TAPING)	
					2	J512	3812-000219	WIRE-NO SHEATH CU;TCWA,300V,52mm(TAPING)	
					2	J513	3812-000219	WIRE-NO SHEATH CU;TCWA,300V,52mm(TAPING)	
					2	J514	3812-000219	WIRE-NO SHEATH CU;TCWA,300V,52mm(TAPING)	
					2	J515	3812-000219	WIRE-NO SHEATH CU;TCWA,300V,52mm(TAPING)	

Level	Loc. No.	Code No.	Description ; Specification	Remark
2	J516	3812-000219	WIRE-NO SHEATH CU;TCWA,300V,52mm(TAPING)	
2	J520	3812-000219	WIRE-NO SHEATH CU;TCWA,300V,52mm(TAPING)	
2	J524	3812-000219	WIRE-NO SHEATH CU;TCWA,300V,52mm(TAPING)	
2	J526	3812-000219	WIRE-NO SHEATH CU;TCWA,300V,52mm(TAPING)	
2	J527	3812-000219	WIRE-NO SHEATH CU;TCWA,300V,52mm(TAPING)	
2	J528	3812-000219	WIRE-NO SHEATH CU;TCWA,300V,52mm(TAPING)	
2	JF06	3812-000219	WIRE-NO SHEATH CU;TCWA,300V,52mm(TAPING)	
2	JF07	3812-000219	WIRE-NO SHEATH CU;TCWA,300V,52mm(TAPING)	
2	J529	3812-000219	WIRE-NO SHEATH CU;TCWA,300V,52mm(TAPING)	
2	J530	3812-000219	WIRE-NO SHEATH CU;TCWA,300V,52mm(TAPING)	
2	J521	3812-000219	WIRE-NO SHEATH CU;TCWA,300V,52mm(TAPING)	
2	J523	3812-000219	WIRE-NO SHEATH CU;TCWA,300V,52mm(TAPING)	
2	J531	3812-000219	WIRE-NO SHEATH CU;TCWA,300V,52mm(TAPING)	
2	LF02	2701-000112	INDUCTOR-AXIAL;100uH,10%,3x7mm	
2	LF01	3301-000287	CORE-FERRITE BEAD;AA,3.5x1.0x6.0mm,1500,	
2	L505	3301-000287	CORE-FERRITE BEAD;AA,3.5x1.0x6.0mm,1500,	
2	L506	3301-000287	CORE-FERRITE BEAD;AA,3.5x1.0x6.0mm,1500,	
2	LF03	3301-000287	CORE-FERRITE BEAD;AA,3.5x1.0x6.0mm,1500,	
2	PCB	AA41-00210D	PCB-CRT;CS29A6,FR-1,1L,D,1.6T,330x245,KS	
2	Q502	0501-000283	TR-SMALL SIGNAL;KSA539,PNP,400mW,TO-92,T	
2	Q503	0501-000283	TR-SMALL SIGNAL;KSA539,PNP,400mW,TO-92,T	
2	Q504	0501-000283	TR-SMALL SIGNAL;KSA539,PNP,400mW,TO-92,T	
2	QF01	0501-000389	TR-SMALL SIGNAL;KSC815,NPN,400mW,TO-92,T	
2	QF02	0501-000389	TR-SMALL SIGNAL;KSC815,NPN,400mW,TO-92,T	
2	QF03	0501-000369	TR-SMALL SIGNAL;KSC2331-Y,NPN,1000mW,TO-	
2	RF10	2001-000241	R-CARBON;1.5KOHM,5%,1/8W,AA,TP,1.8X3.2M	
2	RF11	2001-000241	R-CARBON;1.5KOHM,5%,1/8W,AA,TP,1.8X3.2M	
2	R505	2002-001017	R-COMPOSITION;1Kohm,10%,1/2W,AA,TP,3.7x9	
2	R510	2002-001017	R-COMPOSITION;1Kohm,10%,1/2W,AA,TP,3.7x9	
2	R515	2002-001017	R-COMPOSITION;1Kohm,10%,1/2W,AA,TP,3.7x9	
2	R517	2001-001062	R-CARBON(S);10MOHM,5%,1/2W,AA,TP,2.4X6.4	
2	RF18	2003-000458	R-METAL OXIDE(S);100ohm,5%,2W,AF,TP,4x12	
2	R519	2002-001009	R-COMPOSITION;2.7Kohm,10%,1/2W,AA,TP,3.7	
2	R501	2001-000429	R-CARBON;1KOHM,5%,1/8W,AA,TP,1.8X3.2MM	
2	R506	2001-000429	R-CARBON;1KOHM,5%,1/8W,AA,TP,1.8X3.2MM	
2	R511	2001-000429	R-CARBON;1KOHM,5%,1/8W,AA,TP,1.8X3.2MM	
2	RF02	2001-000734	R-CARBON;4.7KOHM,5%,1/8W,AA,TP,1.8X3.2M	
2	RF03	2001-000362	R-CARBON;150OHM,5%,1/8W,AA,TP,1.8X3.2MM	
2	RF04	2001-000449	R-CARBON;2.2KOHM,5%,1/8W,AA,TP,1.8X3.2M	
2	R522	2001-000449	R-CARBON;2.2KOHM,5%,1/8W,AA,TP,1.8X3.2M	
2	RF05	2001-000522	R-CARBON;22KOHM,5%,1/8W,AA,TP,1.8X3.2MM	
2	RF06	2001-000989	R-CARBON;820KOHM,5%,1/8W,AA,TP,1.8X3.2M	
2	RF07	2004-001989	R-METAL;620ohm,5%,1/8W,AA,TP,1.8x3.2mm	
2	RF08	2001-000313	R-CARBON;11KOHM,5%,1/8W,AA,TP,1.8X3.2MM	
2	RF09	2001-000221	R-CARBON;1.2KOHM,5%,1/8W,AA,TP,1.8X3.2M	
2	RF12	2001-000221	R-CARBON;1.2KOHM,5%,1/8W,AA,TP,1.8X3.2M	
2	RF13	2001-001179	R-CARBON(S);68KOHM,5%,1/2W,AA,TP,2.4X6.4	
2	RF16	2001-001179	R-CARBON(S);68KOHM,5%,1/2W,AA,TP,2.4X6.4	
2	RF14	2001-001071	R-CARBON(S);12KOHM,5%,1/2W,AA,TP,2.4X6.4	
2	RF15	2001-001100	R-CARBON(S);2.7OHM,5%,1/2W,AA,TP,2.4X6.4	
2	RF17	2001-001100	R-CARBON(S);2.7OHM,5%,1/2W,AA,TP,2.4X6.4	
2	RF19	2003-001023	R-METAL OXIDE(S);120ohm,5%,2W,AF,TP,3.9x	
2	RF20	2003-002214	R-METAL OXIDE(S);680ohm,5%,2W,AG,TP,3.9x	
2	RF21	2003-002214	R-METAL OXIDE(S);680ohm,5%,2W,AG,TP,3.9x	
2	RF22	2003-002214	R-METAL OXIDE(S);680ohm,5%,2W,AG,TP,3.9x	
2	RF23	2003-000746	R-METAL OXIDE(S);56ohm,5%,2W,AF,TP,4x12m	
2	RF24	2003-000746	R-METAL OXIDE(S);56ohm,5%,2W,AF,TP,4x12m	
2	RF25	2003-002009	R-METAL OXIDE(S);390ohm,5%,2W,AF,TP,3.9x	
2	L503	2901-000297	FILTER-EMI ON BOARD;-3A,-,-,3.5x5,TP,-	
2	L504	2901-000297	FILTER-EMI ON BOARD;-3A,-,-,3.5x5,TP,-	
2	LF04	2901-000297	FILTER-EMI ON BOARD;-3A,-,-,3.5x5,TP,-	
2	LF05	2901-000297	FILTER-EMI ON BOARD;-3A,-,-,3.5x5,TP,-	
2	R502	2001-001093	R-CARBON(S);2.2KOHM,5%,1/2W,AA,TP,2.4X6.	
2	R507	2001-001093	R-CARBON(S);2.2KOHM,5%,1/2W,AA,TP,2.4X6.	
2	R512	2001-001093	R-CARBON(S);2.2KOHM,5%,1/2W,AA,TP,2.4X6.	
2	R503	2001-000085	R-CARBON(S);100KOHM,5%,1/2W,AA,TP,2.4X6.	
2	R508	2001-000085	R-CARBON(S);100KOHM,5%,1/2W,AA,TP,2.4X6.	
2	R513	2001-000085	R-CARBON(S);100KOHM,5%,1/2W,AA,TP,2.4X6.	
2	R526	2004-000500	R-METAL;2.7Kohm,1%,1/8W,AA,TP,1.8x3.2m	
2	R527	2004-000433	R-METAL;1Kohm,1%,1/8W,AA,TP,1.8x3.2mm	
2	R518	2003-002171	R-METAL OXIDE(S);150ohm,5%,2W,AG,TP,3.9x	
2	R542	2001-000832	R-CARBON;510OHM,5%,1/8W,AA,TP,1.8X3.2MM	
2	R543	2001-000832	R-CARBON;510OHM,5%,1/8W,AA,TP,1.8X3.2MM	
2	R544	2001-000832	R-CARBON;510OHM,5%,1/8W,AA,TP,1.8X3.2MM	
2	R546	2001-000832	R-CARBON;510OHM,5%,1/8W,AA,TP,1.8X3.2MM	
2	L501	2701-000178	INDUCTOR-AXIAL;33uH,10%,3x7mm	

Level	Loc. No.	Code No.	Description ; Specification	Remark
2	R521	2001-000660	R-CARBON;33KOHM,5%,1/8W,AA,TP,1.8X3.2MM	
2	R504	2001-000515	R-CARBON;220OHM,5%,1/8W,AA,TP,1.8X3.2MM	
2	R509	2001-000515	R-CARBON;220OHM,5%,1/8W,AA,TP,1.8X3.2MM	
2	R539	2001-000515	R-CARBON;220OHM,5%,1/8W,AA,TP,1.8X3.2MM	
2	L507	2701-000215	INDUCTOR-AXIAL;8.2uH,10%,2.5x3.4mm	
2	SG501	AA27-00084A	COIL;S-23,-,-,-,-,-,S-23,5000Mohm	
2	SG502	AA27-00084A	COIL;S-23,-,-,-,-,-,S-23,5000Mohm	
2	SG503	AA27-00084A	COIL;S-23,-,-,-,-,-,S-23,5000Mohm	
2	SG504	AA27-00084A	COIL;S-23,-,-,-,-,-,S-23,5000Mohm	
2	SG505	AA27-00084A	COIL;S-23,-,-,-,-,-,S-23,5000Mohm	
2		HA98-00054A	ASSY SUB PART;ASSY SUB PART;K53A,PCB,CRT	
3		0202-001222	SOLDER-WIRE FLUX;RS-107,RS60-1.2AA,D1.2,	
3		0202-000187	SOLDER-WIRE FLUX;-RS60S,D1.2,63Sn/37Pb	
3		0204-000442	SOLVENT;1M-1000,C3H7OH,96,-	
3		0202-001046	SOLDER-WIRE FLUX;CF-110VH-2A,-,-,-,-	
2	QF04	HA96-50149A	ASSY-H/S;-AA62-30013A,2SC2344,-	
3		0502-000153	TR-POWER;2SC2344-D,NPN,1.2W,TO-220,-60	
3	SCR09	6003-000333	SCREW-TAPTITE;RH,+2S,M3,L10,ZPC(YEL),SW	
3	H/S09	AA62-30013A	HEAT SINK-ES;-A6063 EXTR,-,-,45(21) T02	
2	QF05	HA96-50149B	ASSY-H/S;-TR,AA62-30013A,2SA1011,-	
3	QV10	0502-000131	TR-POWER;2SA1011-D,PNP,1.2W,TO-220,-60	
3	SCR10	6003-000333	SCREW-TAPTITE;RH,+2S,M3,L10,ZPC(YEL),SW	
3	H/S10	AA62-30013A	HEAT SINK-ES;-A6063 EXTR,-,-,45(21) T02	
2	C510	2401-001525	C-AL;47uF,20%,250V,GPBK,16x25mm,7,	
2	R523	2008-000267	R-FUSIBLE(S);2.4ohm,5%,2W,AA,TP,3.9x10mm	
2	CF11	2401-000927	C-AL;22uF,20%,250V,GP,TP,13x20,5	
2	JA501	3722-001503	JACK-PIN;1P1,N1,RED,SCR-JACK	
2	CNF01	AA39-20033C	LEAD CONNECTOR-ASSY;3(2)P67096-003,S,2	
2	C513	2201-000723	C-CERAMIC,DISC;4.7nF,20%,3KV,Y5U,TP,16x5	

### ASSY ETC-PCB A/V BOARD

1	AA95-01518A	ASSY ETC-PCB A/V BOARD;-29K8,K33A,50HZ	
2	JH701	3722-000143	JACK-PHONE;1P(VER);3.4PI,AG,BLK,NO
2	JA701	3722-001031	JACK-PIN;3P3.6mm,#18,AU
2	CN704	AA39-00070A	LEAD CONNECTOR-ASSY;4P;YBNH250-04,35184
2	CN705	AA39-20009E	LEAD CONNECTOR-ASSY;1P;YFH800-01,600,16
2	CN701	AA39-20068G	LEAD CONNECTOR-ASSY;8P;YBNH025-08,67096
2	CN703	AA39-20069A	LEAD CONNECTOR-ASSY;5P;YBNH025-05,67096
2		AA63-10002A	BAND-TIE;NYLON66 VZ,L100,NTR
2		AA98-00246A	ASSY SUB PART;S51A,CONTROL WIDE
3		0202-001222	SOLDER-WIRE FLUX;RS-107,RS60-1.2AA,D1.2,
3		0202-000187	SOLDER-WIRE FLUX;-RS60S,D1.2,63Sn/37Pb
3		0202-001046	SOLDER-WIRE FLUX;CF-110VH-2A,-,-,-,-
3		0204-000442	SOLVENT;1M-1000,C3H7OH,96,-
2	R701	2001-000028	R-CARBON(S);100OHM,5%,1/2W,AA,TP,2.4X6.4
2	R702	2001-000028	R-CARBON(S);100OHM,5%,1/2W,AA,TP,2.4X6.4
2	C701	2202-000121	C-CERAMIC,MLC-AXIAL;100pF,10%,50V,Y5P,TP
2	C702	2202-000121	C-CERAMIC,MLC-AXIAL;100pF,10%,50V,Y5P,TP
2	C703	2202-000231	C-CERAMIC,MLC-AXIAL;330pF,10%,50V,Y5P,TP
2	C704	2202-000231	C-CERAMIC,MLC-AXIAL;330pF,10%,50V,Y5P,TP
2	C705	2401-002009	C-AL;100uF,20%,16V,GP,TP,6.3x7.5
2	C706	2401-002009	C-AL;100uF,20%,16V,GP,TP,6.3x7.5
2	L701	2701-000114	INDUCTOR-AXIAL;10uH,10%,2.5x3.4mm
2	L702	2701-000114	INDUCTOR-AXIAL;10uH,10%,2.5x3.4mm
2	L703	2701-000114	INDUCTOR-AXIAL;10uH,10%,2.5x3.4mm
2	L704	2701-000114	INDUCTOR-AXIAL;10uH,10%,2.5x3.4mm
2	L707	3301-000287	CORE-FERRITE BEAD;AA,3.5x1.0x6.0mm,1500,
2	L708	3301-000287	CORE-FERRITE BEAD;AA,3.5x1.0x6.0mm,1500,
2	PCB	AA41-00345A	PCB-SIDE A/V;CS29K1,FR-1,1L,A,1.6T,245x2
2		AA65-30018A	CLAMPER CORE-WIRE;DONG-A,NYLON-66,-,-,-,

### ASSYPCB-PFC

1	HA94-05783B	ASSYPCB-PFC;32W8/Z4,50HZ,5783A	
2	EYP07	AA60-40011A	K EYELET;ID2.0,OD2.8,BST
2	EYP08	AA60-40011A	K EYELET;ID2.0,OD2.8,BST
2	EYP09	AA60-40011A	K EYELET;ID2.0,OD2.8,BST
2	EYP10	AA60-40011A	K EYELET;ID2.0,OD2.8,BST
2	EYP11	AA60-40011A	K EYELET;ID2.0,OD2.8,BST
2	EYP12	AA60-40011A	K EYELET;ID2.0,OD2.8,BST

Level	Loc. No.	Code No.	Description ; Specification	Remark
2	EYP13	AA60-40011A	K EYELET;ID2.0,OD2.8,BST	
2	EYP14	AA60-40011A	K EYELET;ID2.0,OD2.8,BST	
2	EYP15	AA60-40011A	K EYELET;ID2.0,OD2.8,BST	
2	EYP16	AA60-40011A	K EYELET;ID2.0,OD2.8,BST	
2	EYP17	AA60-40011A	K EYELET;ID2.0,OD2.8,BST	
2	EYP18	AA60-40011A	K EYELET;ID2.0,OD2.8,BST	
2	EYP19	AA60-40011A	K EYELET;ID2.0,OD2.8,BST	
2	EYP20	AA60-40011A	K EYELET;ID2.0,OD2.8,BST	
2	EYP21	AA60-40011A	K EYELET;ID2.0,OD2.8,BST	
2	EYP22	AA60-40011A	K EYELET;ID2.0,OD2.8,BST	
2	EYP23	AA60-40011A	K EYELET;ID2.0,OD2.8,BST	
2	EYP24	AA60-40011A	K EYELET;ID2.0,OD2.8,BST	
2	EYP25	AA60-40011A	K EYELET;ID2.0,OD2.8,BST	
2	EYP26	AA60-40011A	K EYELET;ID2.0,OD2.8,BST	
2	EYP01	AA60-40011A	K EYELET;ID2.0,OD2.8,BST	
2	EYP02	AA60-40011A	K EYELET;ID2.0,OD2.8,BST	
2	EYP03	AA60-40011A	K EYELET;ID2.0,OD2.8,BST	
2	EYP04	AA60-40011A	K EYELET;ID2.0,OD2.8,BST	
2	EYP05	AA60-40011A	K EYELET;ID2.0,OD2.8,BST	
2	EYP06	AA60-40011A	K EYELET;ID2.0,OD2.8,BST	
2	PCB	AA41-00404A	PCB-PFC;CS2539,FR-1,1L,A,1.6T,330x245,KS	
2	CNP02	AA39-00236A	LEAD CONNECTOR-ASSY;,3(2)P;YHL500-03A BL	
2	CNP01	AA39-00235A	LEAD CONNECTOR-ASSY;,3(2)P;YHL500-03A BL	
2	PFT01	AA27-00121A	COIL CHOKE;CODE_NO,SP43J5HP;15mH,-0%,+5%	
2	PFT02	AA27-00121A	COIL CHOKE;CODE_NO,SP43J5HP;15mH,-0%,+5%	
2		HA98-600020	ASSY-SUB,PART;KS4A,PFC PCB	
3		0202-001222	SOLDER-WIRE FLUX;RS-107,RS60-1.2AA,D1.2,	
3		0202-000187	SOLDER-WIRE FLUX;-;RS60S,D1.2,63Sn/37Pb	
3		0202-001046	SOLDER-WIRE FLUX;CF-110VH-2A,-,-,-,-	
3		0204-000442	SOLVENT;1M-1000,C3H7OH,96,-	
2		HA61-00987A	HOLDER-PFC;32W8,29A8,28W8,HIPS,ALLFLAT	
3		HA83-00006A	LP-RESIN HIPS;,BASF495F,NTR,HB	
3		HA83-00011A	LP-RESIN;,M BATCH,WILSON 6007-GY-60,GRY	
2	CNP02	3711-004721	CONNECTOR-HEADER;3WALL,2P;1R,12.5mm,STRA	
2	CNP01	3711-004720	CONNECTOR-HEADER;3WALL,2P;1R,12.5mm,STRA	
2		6003-001023	SCREW-TAPTITE;RWH,+,B,M3,L10,ZPC(YEL),SW	
2	LX803S	AA29-00015A	FILTER LINE NOISE;WS32W8,28-20MH 1.5A,+	
2	CX803S	2306-000318	C-FILM,MPPF;220nF,20%,250V,TP,-22.5mm	

### ASSY CABINET FRONT

1	HA91-05147F	ASSY CABINET FRONT;,28V5H,KS3A,COR-PROT,	
2	WR+CF	6003-001019	SCREW-TAPTITE;RH,+,B,M4,L12,ZPC(BLK),SWR
2	KC+CF	6003-001019	SCREW-TAPTITE;RH,+,B,M4,L12,ZPC(BLK),SWR
2		AA64-03002A	WINDOW-RMC,LED;28/32V5,PC,CLR
3		HA83-00009A	LP-RESIN PC;,LEXAN 121R,VIOLET
2		AA64-02999A	KNOB POWER;28/32V5,HIPS,HB,GRY
3		HA83-00040A	LP-MARKING PAINT;,METALLIC SILVER,SV-012
3		HA83-00006A	LP-RESIN HIPS;,BASF495F,NTR,HB
3		HA83-00011A	LP-RESIN;,M BATCH,WILSON 6007-GY-60,GRY
2		AA64-70117B	BADGE-BRAND;-;AL,-;L65,R2000,SILVER,SS
2		HA83-00049A	LP-ADHESIVE-HM;12MM,NTR
2		AA61-60003J	SPRING ETC-CS;-;SUS304,-;OD6,N7,OD6,-;
2		AA65-30105A	CLAMPER CORE-WIRE;ALL MODEL,NYLON 66,V2,
2		AA64-01506C	INLAY-AV;29K3,PVC-SHEET,TO.3,-;P/GRAY
2		AA64-02996F	CABINET-FRONT;28V5H,HIPS,HB,SV012P-II,CO
3		HA83-00040A	LP-MARKING PAINT;,METALLIC SILVER,SV-012
3		HA83-00021A	LP-MARKING PAINT;,WHITE,TPC180
3		HA83-00006A	LP-RESIN HIPS;,BASF495F,NTR,HB
3		HA83-00011A	LP-RESIN;,M BATCH,WILSON 6007-GY-60,GRY
2		AA64-02998A	KNOB CONTROL;28/32V5,HIPS,HB,GRY
3		HA83-00040A	LP-MARKING PAINT;,METALLIC SILVER,SV-012
3		HA83-00006A	LP-RESIN HIPS;,BASF495F,NTR,HB
3		HA83-00011A	LP-RESIN;,M BATCH,WILSON 6007-GY-60,GRY
2		AA64-03001A	DECORATION-POWER;28/32V5,HIPS,HB
3		HA83-00040A	LP-MARKING PAINT;,METALLIC SILVER,SV-012
3		HA83-00006A	LP-RESIN HIPS;,BASF495F,NTR,HB
3		HA83-00011A	LP-RESIN;,M BATCH,WILSON 6007-GY-60,GRY
2	CF+SPK	6002-000515	SCREW-TAPPING;RH,+,2,M4,L15,ZPC(WHT),SWR
2		3001-001005	SPEAKER;10W,8OHM,91DB,140HZ
2		AA39-00102A	LEAD CONNECTOR-ASSY;,4P;35155-0400,REC,9
2		0203-001290	TAPE-OPP MASKING;ANT 100C,TO.073,W30,L50

### ASSY-CABINET(COM)

1	AA90-03552B	ASSY-CABINET(COM);KS3A,VL-1823,28V5	
2	CRT	AA65-00009B	CLAMPER CORE-D,COIL;21A8,NYLON 66,VO,-;
2		AA65-30008A	CLAMPER CORE-CORD;-;PE,HB,-,BLK,-
2	CRT+CF	AA60-10050V	SCREW-ASSY;-;SWRCH18A,M6,L30,HH,+,WC,-;Z
2		AA65-30009A	CLAMPER CORE-FBT;-;ABS,VO,-,BLK,-
2		AA65-30110A	CLAMPER CORE-WIRE;ALL MODEL,NYLON 66,V2,
2		HA83-00046A	LP-TAPE INK;WIDTH 105 MM
2		HA68-02179A	LABEL-RATING;58MM,53MM,WHITE
2		HA83-00052A	LP-TAPE-INK;WIDTH 55 MM
2	CB+RCA	6002-000515	SCREW-TAPPING;RH,+,2,M4,L15,ZPC(WHT),SWR
2	CB+CF	6002-000515	SCREW-TAPPING;RH,+,2,M4,L15,ZPC(WHT),SWR
2	CF+PCB	6003-001019	SCREW-TAPTITE;RH,+,B,M4,L12,ZPC(BLK),SWR
2	CF+PCB	6003-001019	SCREW-TAPTITE;RH,+,B,M4,L12,ZPC(BLK),SWR
2		AA63-10002A	BAND-TIE;NYLON66 V2,L100,NTR
2		AA65-30104B	CLAMPER CORE-WIRE;ALL MODEL,NYLON 66,V2,
2		AA64-00894L	INLAY-BACK;21K2,PS SHEET,TO.3,BLK,KS1B 2
2		HA64-02530C	CABINET-BACK;28M6,VL-1823,GRY
3		AA81-00096A	RESIN-A,VL-1823,G5433,A
3		HA83-00012A	LP-RESIN;,M BATCH,WILSON 6053-GY-60,GRY
2		HA61-00711C	HOLDER-PCB;29K8,HIPS,HB,GRY
3		HA83-00006A	LP-RESIN HIPS;,BASF495F,NTR,HB
3		HA83-00011A	LP-RESIN;,M BATCH,WILSON 6007-GY-60,GRY
2		HA83-00049A	LP-ADHESIVE-HM;12MM,NTR
2		HA68-02177B	LABEL-PQS;ALL,30MM,65MM,WHITE,AA68-02177

### ASSY PACKING

1	AA90-03550A	ASSY PACKING;28V5	
2		HA69-01701A	PACKING CASE;28V5(SEH),D-3 AB,A1,865,605
2		HA69-01647A	CUSHION-SET;28V5,PS FOAMED,C=0.02
3		HA83-00058A	LP-RESIN-EPS;,CHEIL SF-301V,WHIT
2		AA69-00744E	BAG-SHEET;-;HDPE PE FOAM,TO.015,W1300,H1
2		AA60-40006A	PIN-STAPLE;AUTO,33X17.8X2.4,H18,33X17.8X
2		HA68-02178A	LABEL-BOX;250MM,89MM,WHITE
2		HA83-00046A	LP-TAPE INK;WIDTH 105 MM
2		HA83-00057B	LP-TAPE-CELLULOSE;,HA02-030010,TO.046,W7

### ASSY ACCESSORY

1	AA94-05823A	ASSY ACCESSORY;50HZ,D,FLAT,100HZ,KS3A,XE	
2		4301-000121	BATTERY-MN;1.5V,-AAA,10.5x44.5mm,HOLDER
2		HA69-00276A	BAG VINYL;HDPE,TO.025,L400,W240,-;W/O LO
2		HA83-00047A	LP-TAPEACETATE;TO.1MM,W20MM,L200MM
2		HA68-02124A	LABEL;A/P120(G),70,69,WHITE,XECCO
2		HA68-00971A	LABEL-BACK,DOLBY;A/P100(G),SILVER-BLACK

### ASSY POWER CORD

1	AA96-01127B	ASSY POWER CORD;DP,AA39-10001M,CP2,H/C40	
2		AA39-10001M	CBF POWER CORD;-;KJP-140,KLCE-2F2,4m,HO
2		AA61-20284A	HOLDER;P-CORD,PP,-,-;BLK,VO,KE-002

### REMOCON

1	AA59-00116B	REMOCON;-;TM57,37,D3/D4,L/GRAY,S/S,GRA	
---	-------------	--	--

### 7-3 WS32V56VS8XXEC

Level	Loc. No.	Code No.	Description ; Specification	Remark	Level	Loc. No.	Code No.	Description ; Specification	Remark
<b>ASSY PCB MAIN(OPT)</b>					2	C207	2401-002235	C-AL;10uF;20%,16V,GPTP;5x11mm,5mm	
					2	C708	2401-002235	C-AL;10uF;20%,16V,GPTP;5x11mm,5mm	
					2	C239	2401-002235	C-AL;10uF;20%,16V,GPTP;5x11mm,5mm	
1		AA94-05592B	ASSY PCB MAIN(OPT);WS32W7DH,KS3A/H,TH,IN		2	C214	2305-000665	C-FILM,MPEF;100nF;5%,63V,TP;7.5x4.0x5.0m	
	2	C815	2401-003602	C-AL;220uF;20%,160V,GPBK,22x25mm,1	2	C605	2305-000665	C-FILM,MPEF;100nF;5%,63V,TP;7.5x4.0x5.0m	
	2	CN501	3711-002641	CONNECTOR-HEADER;BOX,10P;1R,2.54mm,STRAI	2	C620	2305-000665	C-FILM,MPEF;100nF;5%,63V,TP;7.5x4.0x5.0m	
	△ 2	CX801S	2306-000321	C-FILM,MPPF;470NF;5%,275V,TP,-,22.5	2	C635	2305-000665	C-FILM,MPEF;100nF;5%,63V,TP;7.5x4.0x5.0m	
	2	IC301	HA96-50406B	ASSY-H/S;ASSY-H/S,-,AA62-30180B,LA7845	2	C646	2305-000665	C-FILM,MPEF;100nF;5%,63V,TP;7.5x4.0x5.0m	
	3		1204-000517	IC-VERTICAL DEF;LA7845,SIP;7P,-,PLASTIC	2	C829	2305-000665	C-FILM,MPEF;100nF;5%,63V,TP;7.5x4.0x5.0m	
	3		AA62-30180B	HEAT SINK-ES,-,A6063 EXTR.,2,WHT,70MM,-,	2	C837	2305-000665	C-FILM,MPEF;100nF;5%,63V,TP;7.5x4.0x5.0m	
	3		6003-000333	SCREW-TAPTITE;RH,+2S,M3,L10,ZPC(YEL),SW	2	C839	2305-000665	C-FILM,MPEF;100nF;5%,63V,TP;7.5x4.0x5.0m	
	3		0205-000129	GREASE-SILICON;SC102,JAPAN	2	C916	2305-000665	C-FILM,MPEF;100nF;5%,63V,TP;7.5x4.0x5.0m	
	△ 2	IC401	1202-000103	IC-VOLTAGE COMP;393,DIP8P;300MIL,DUAL,	2	C914	2305-000665	C-FILM,MPEF;100nF;5%,63V,TP;7.5x4.0x5.0m	
	△ 2	IC801S	HA96-50371C	ASSY H/S,-,AA62-30181H,KA3A1265R,-	2	C831	2305-000665	C-FILM,MPEF;100nF;5%,63V,TP;7.5x4.0x5.0m	
	3		AA13-00101A	IC HYBRID;KA3S1265RD,CN5039,5PIN,-50TO12	2	C825	2305-000665	C-FILM,MPEF;100nF;5%,63V,TP;7.5x4.0x5.0m	
	3		AA61-10386A	BRACKET-IC,-SECC 100,T1.0,-,-,KA2S068	2	C240	2305-000665	C-FILM,MPEF;100nF;5%,63V,TP;7.5x4.0x5.0m	
	3		AA62-30197D	HEAT SINK-ES;DP,-,-,AA62-30181H,-,-	2	C208	2401-001026	C-AL;3.3UF;20%,50V,GPTP;5x11.5	
	3		6003-000333	SCREW-TAPTITE;RH,+2S,M3,L10,ZPC(YEL),SW	2	C636	2401-001026	C-AL;3.3UF;20%,50V,GPTP;5x11.5	
	3		HA68-02189A	LABEL-WARNING,-,33MM,18MM,WHITE	2	C905	2202-000796	C-CERAMIC,MLC-AXIAL;1NF;10%,50V,Y5P;TP3	
	3		0205-000129	GREASE-SILICON;SC102,JAPAN	2	C607	2202-000796	C-CERAMIC,MLC-AXIAL;1NF;10%,50V,Y5P;TP3	
	2	JA701	3722-000195	JACK-SCART;42P,-,SN,BLK,NO	2	C608	2202-000796	C-CERAMIC,MLC-AXIAL;1NF;10%,50V,Y5P;TP3	
	△ 2	NT802S	1404-001045	THERMISTOR-NTC;4.7ohm,15%,2900K,35.0mW,T	2	C211	2202-000796	C-CERAMIC,MLC-AXIAL;1NF;10%,50V,Y5P;TP3	
	△ 2	PC801S	0604-001038	PHOTO-COUPLER;TR,130-260%,200mW,DIP-4,ST	2	C212	2301-000224	C-FILM,PEF;22nF;5%,50V,TP;7.4x3.1x3mm,5	
	△ 2	PT801S	1404-000002	THERMISTOR-PTC;9ohm,20%,-,-,TR,RECT,-	2	C213	2301-000247	C-FILM,PEF;33nF;5%,50V,TP;8.1x4.5x13mm,5	
	△ 2	RL801S	3501-001040	RELAY-POWER;12VDC,500mW,10A,1FormA,15mS,	2	C218	2202-000632	C-CERAMIC,MLC-AXIAL;100nF;20%,50V,Z5U,TP	
	2	HC801	HA96-00274B	ASSY-H/S,-,COMPLEX,AA62-00066B,FMLG12S	2	C219	2202-000632	C-CERAMIC,MLC-AXIAL;100nF;20%,50V,Z5U,TP	
	3		6003-000334	SCREW-TAPTITE;RH,+2S,M3,L6,ZPC(YEL),SWR	2	C220	2202-000632	C-CERAMIC,MLC-AXIAL;100nF;20%,50V,Z5U,TP	
	3		AA62-00066B	HEAT SINK;D2,D3,AL,T1.0,89,70,-,AA62-00	2	C901	2202-000632	C-CERAMIC,MLC-AXIAL;100nF;20%,50V,Z5U,TP	
	△ 3	D802	0402-001230	DIODE-RECTIFIER;FMG-G2CS,1000V,3A,TO-220	2	C921	2202-000632	C-CERAMIC,MLC-AXIAL;100nF;20%,50V,Z5U,TP	
	△ 3	D805	0402-000233	DIODE-RECTIFIER;FML-G12S,200V,5A,-,-	2	C922	2202-000632	C-CERAMIC,MLC-AXIAL;100nF;20%,50V,Z5U,TP	
	△ 3	D806	0402-000233	DIODE-RECTIFIER;FML-G12S,200V,5A,-,-	2	C919	2202-000632	C-CERAMIC,MLC-AXIAL;100nF;20%,50V,Z5U,TP	
	△ 3	D807	0402-000233	DIODE-RECTIFIER;FML-G12S,200V,5A,-,-	2	C924	2202-000632	C-CERAMIC,MLC-AXIAL;100nF;20%,50V,Z5U,TP	
	△ 3	IC805	1203-001006	IC-VOLTAGE REGULATOR;78R05,TO-220F;4P,-,	2	C907	2305-000412	C-FILM,MPEF;470nF;5%,63V,TP,-,5mm	
	3		0205-000129	GREASE-SILICON;SC102,JAPAN	2	C308	2305-000412	C-FILM,MPEF;470nF;5%,63V,TP,-,5mm	
	2	HC401	HA96-00275D	ASSY-H/S,-,COMPLEX,AA62-00051B,2SC5446	2	C237	2401-000914	C-AL;22uF;20%,16V,GPTP;5x11.5	
	3		AA62-00067B	HEAT SINK-PS,-,DP,-,-,AA62-00051B,-	2	C604	2401-000603	C-AL;1uF;20%,50V,GPTP;5x11.5	
	△ 3	D414	0402-001296	DIODE-RECTIFIER;FMP-3FU,1.5KV,5A,TO-3PF,	2	C201	2401-000603	C-AL;1uF;20%,50V,GPTP;5x11.5	
	3	Q401	0502-001175	TR-POWER;2SC5446,NPN,200000mW,TO-3PL,BK	2	C841	2401-000603	C-AL;1uF;20%,50V,GPTP;5x11.5	
	3		6003-000333	SCREW-TAPTITE;RH,+2S,M3,L10,ZPC(YEL),SW	2	C304	2305-000285	C-FILM,MPEF;220NF;5%,100V,TP;10.5X5.5X15	
	3		AA60-30001A	WASHER-PLATE;M3,ID3.5,15X8.5,T1.0,SBHG	2	C305	2305-000149	C-FILM,MPEF;100nF;5%,100V,TP;12x12.5x6.5	
	3		AA62-00092A	HEAT SINK;STB,A6063 EXTR.,T1.3,28*28,H12	2	C821	2301-000192	C-FILM,PEF;1nF;5%,50V,TP;5.3x10mm,5mm	
	3	Q401	AA02-00007A	SUB ETC-MICA;MICA,22X30X0.1MM	2	C902	2301-000192	C-FILM,PEF;1nF;5%,50V,TP;5.3x10mm,5mm	
	3		6003-000334	SCREW-TAPTITE;RH,+2S,M3,L6,ZPC(YEL),SWR	2	C307	2401-000360	C-AL;100uF;20%,50V,GPTP;8x11.5,5	
	3		0205-000129	GREASE-SILICON;SC102,JAPAN	2	C302	2401-000360	C-AL;100uF;20%,50V,GPTP;8x11.5,5	
	△ 2	D801S	0402-001399	DIODE-BRIDGE;GSIB660,600V,6A,SIP-4,BK	2	C401	2201-000556	C-CERAMIC,DISC;0.47nF;10%,500V,Y5P;TP5	
	2	IC602	HA96-50369B	ASSY-H/S,-,AA62-30181F,TDAT297,-	2	C403	2201-000556	C-CERAMIC,DISC;0.47nF;10%,500V,Y5P;TP5	
	3		1201-001064	IC-POWER AMP;7297,ZIP;15P,-,DUAL,32uB,PL	2	C421	2201-000556	C-CERAMIC,DISC;0.47nF;10%,500V,Y5P;TP5	
	3		AA62-30181F	HEAT SINK-ES,-,AL6063 EXTR.,2,WHT,50MM,-	2	C402	2401-001397	C-AL;470uF;20%,25V,GPTP;10x16.5	
	3		6003-000333	SCREW-TAPTITE;RH,+2S,M3,L10,ZPC(YEL),SW	2	C404	2401-001397	C-AL;470uF;20%,25V,GPTP;10x16.5	
	3		0205-000129	GREASE-SILICON;SC102,JAPAN	2	C408	2305-000382	C-FILM,MPEF;4.7nF;5%,400V,TP,-,5mm	
	2	IC902	1103-001171	IC-EEPROM;L51DC,16KBit,DIP8P;300MIL,10m	2	C414	2401-002597	C-AL;220uF;20%,35V,GPTP;10x12.5,5	
	2	C105	2301-000383	C-FILM,PEF;10nF;5%,50V,TP;6x7x3.2mm,5mm	2	C418	2401-002597	C-AL;220uF;20%,35V,GPTP;10x12.5,5	
	2	C103	2301-000383	C-FILM,PEF;10nF;5%,50V,TP;6x7x3.2mm,5mm	2	C422	2401-001527	C-AL;47uF;20%,250V,HR,TP;13x25mm,5m	
	2	C101	2301-000383	C-FILM,PEF;10nF;5%,50V,TP;6x7x3.2mm,5mm	2	C424	2201-000132	C-CERAMIC,DISC;0.1nF;10%,500V,Y5P;TP6.5	
	2	C416	2301-000383	C-FILM,PEF;10nF;5%,50V,TP;6x7x3.2mm,5mm	2	C601	2201-000558	C-CERAMIC,DISC;0.47nF;10%,50V,Y5P;TP5x3	
	2	C909	2301-000383	C-FILM,PEF;10nF;5%,50V,TP;6x7x3.2mm,5mm	2	C610	2301-000445	C-FILM,PEF;4.7nF;5%,50V,TP;5.5x7x3mm,5mm	
	2	C228	2301-000356	C-FILM,PEF;47nF;5%,50V,TP;7.5x4.0x6.5,5m	2	C611	2301-000445	C-FILM,PEF;4.7nF;5%,50V,TP;5.5x7x3mm,5mm	
	2	C230	2301-000356	C-FILM,PEF;47nF;5%,50V,TP;7.5x4.0x6.5,5m	2	C612	2401-001914	C-AL;1uF;20%,50V,BP;TP5x11.5	
	2	C809	2301-000356	C-FILM,PEF;47nF;5%,50V,TP;7.5x4.0x6.5,5m	2	C613	2401-001914	C-AL;1uF;20%,50V,BP;TP5x11.5	
	2	C810	2301-000356	C-FILM,PEF;47nF;5%,50V,TP;7.5x4.0x6.5,5m	2	C209	2401-001914	C-AL;1uF;20%,50V,BP;TP5x11.5	
	2	C811	2301-000356	C-FILM,PEF;47nF;5%,50V,TP;7.5x4.0x6.5,5m	2	C617	2401-000493	C-AL;10uF;20%,50V,LZ,TP;5x11mm,5mm	
	2	C202	2401-002235	C-AL;10uF;20%,16V,GPTP;5x11mm,5mm	2	C917	2401-000493	C-AL;10uF;20%,50V,LZ,TP;5x11mm,5mm	
	2	C205	2401-002235	C-AL;10uF;20%,16V,GPTP;5x11mm,5mm	2	C413	2401-000493	C-AL;10uF;20%,50V,LZ,TP;5x11mm,5mm	
	2	C920	2401-002235	C-AL;10uF;20%,16V,GPTP;5x11mm,5mm	2	C623	2202-000231	C-CERAMIC,MLC-AXIAL;330pF;10%,50V,Y5P;TP	
	2	C231	2401-002235	C-AL;10uF;20%,16V,GPTP;5x11mm,5mm	2	C624	2202-000231	C-CERAMIC,MLC-AXIAL;330pF;10%,50V,Y5P;TP	
	2	C215	2401-002235	C-AL;10uF;20%,16V,GPTP;5x11mm,5mm	2	C627	2202-000231	C-CERAMIC,MLC-AXIAL;330pF;10%,50V,Y5P;TP	
	2	C630	2401-002235	C-AL;10uF;20%,16V,GPTP;5x11mm,5mm	2	C629	2202-000231	C-CERAMIC,MLC-AXIAL;330pF;10%,50V,Y5P;TP	
	2	C631	2401-002235	C-AL;10uF;20%,16V,GPTP;5x11mm,5mm	2	C642	2202-000231	C-CERAMIC,MLC-AXIAL;330pF;10%,50V,Y5P;TP	
	2	C645	2401-002235	C-AL;10uF;20%,16V,GPTP;5x11mm,5mm	2	C644	2202-000231	C-CERAMIC,MLC-AXIAL;330pF;10%,50V,Y5P;TP	
	2	C652	2401-002235	C-AL;10uF;20%,16V,GPTP;5x11mm,5mm	2	C638	2202-000231	C-CERAMIC,MLC-AXIAL;330pF;10%,50V,Y5P;TP	
	2	C603	2401-002235	C-AL;10uF;20%,16V,GPTP;5x11mm,5mm	2	C639	2202-000231	C-CERAMIC,MLC-AXIAL;330pF;10%,50V,Y5P;TP	
					2	C249	2202-000231	C-CERAMIC,MLC-AXIAL;330pF;10%,50V,Y5P;TP	

Level	Loc. No.	Code No.	Description ; Specification	Remark	Level	Loc. No.	Code No.	Description ; Specification	Remark
2	C632	2202-000806	C-CERAMIC,MLC-AXIAL,220pF,10%,50V,Y5P,TP		2	GT101	AA60-40014A	PIN-GT,ASSY,AUTO	
2	C634	2401-001840	C-AL;100uF,20%,16V,GP,TP6.3x11,5		2	GT102	AA60-40014A	PIN-GT,ASSY,AUTO	
2	C832	2401-001840	C-AL;100uF,20%,16V,GP,TP6.3x11,5		2	GT301	AA60-40014A	PIN-GT,ASSY,AUTO	
2	C838	2401-001840	C-AL;100uF,20%,16V,GP,TP6.3x11,5		2	GT302	AA60-40014A	PIN-GT,ASSY,AUTO	
2	C826	2401-001840	C-AL;100uF,20%,16V,GP,TP6.3x11,5		2	GT401	AA60-40014A	PIN-GT,ASSY,AUTO	
2	C637	2401-000027	C-AL;4.7uF,20%,50V,GP,TP5x11,5		2	GT402	AA60-40014A	PIN-GT,ASSY,AUTO	
2	C640	2401-000027	C-AL;4.7uF,20%,50V,GP,TP5x11,5		2	GT801	AA60-40014A	PIN-GT,ASSY,AUTO	
2	C641	2401-000027	C-AL;4.7uF,20%,50V,GP,TP5x11,5		2	GT802	AA60-40014A	PIN-GT,ASSY,AUTO	
2	C643	2401-000027	C-AL;4.7uF,20%,50V,GP,TP5x11,5		2	GT803	AA60-40014A	PIN-GT,ASSY,AUTO	
2	C912	2401-000027	C-AL;4.7uF,20%,50V,GP,TP5x11,5		2	GT804	AA60-40014A	PIN-GT,ASSY,AUTO	
2	C647	2202-000286	C-CERAMIC,MLC-AXIAL,56pF,5%,50V,SL,TP,1.		2	GT805	AA60-40014A	PIN-GT,ASSY,AUTO	
2	C649	2301-000108	C-FILM,PEF;1.5nF,5%,50V,TP6.5x3.0x5.5mm		2	GT806	AA60-40014A	PIN-GT,ASSY,AUTO	
2	C804	2201-000332	C-CERAMIC,DISC;2.2nF,20%,250V,Y5U,TP,9x4		2	GT404	AA60-40014A	PIN-GT,ASSY,AUTO	
2	C805	2201-000332	C-CERAMIC,DISC;2.2nF,20%,250V,Y5U,TP,9x4		2	GT409	AA60-40014A	PIN-GT,ASSY,AUTO	
2	C807	2301-001397	C-FILM,PPF;2.2nF,5%,1.2kV,TP;15x8.5x13.5		2	J102	3812-000219	WIRE-NO SHEATH CU;TCWA,300V,52mm(TAPING)	
2	C814	2201-000406	C-CERAMIC,DISC;0.27nF,10%,2kV,Y5P,TP6.3		2	J103	3812-000219	WIRE-NO SHEATH CU;TCWA,300V,52mm(TAPING)	
2	C817	2201-000599	C-CERAMIC,DISC;0.56nF,10%,500V,Y5P,TP,5.		2	J105	3812-000219	WIRE-NO SHEATH CU;TCWA,300V,52mm(TAPING)	
2	C819	2201-000599	C-CERAMIC,DISC;0.56nF,10%,500V,Y5P,TP,5.		2	J110	3812-000219	WIRE-NO SHEATH CU;TCWA,300V,52mm(TAPING)	
2	C822	2201-000599	C-CERAMIC,DISC;0.56nF,10%,500V,Y5P,TP,5.		2	J111	3812-000219	WIRE-NO SHEATH CU;TCWA,300V,52mm(TAPING)	
2	C818	2401-000722	C-AL;2200uF,20%,25V,WT,TP16x25.7.5		2	J112	3812-000219	WIRE-NO SHEATH CU;TCWA,300V,52mm(TAPING)	
2	C910	2201-000980	C-CERAMIC,DISC;0.03nF,5%,50V,NP0,TP,5x3,		2	J114	3812-000219	WIRE-NO SHEATH CU;TCWA,300V,52mm(TAPING)	
2	C911	2201-000980	C-CERAMIC,DISC;0.03nF,5%,50V,NP0,TP,5x3,		2	J115	3812-000219	WIRE-NO SHEATH CU;TCWA,300V,52mm(TAPING)	
2	D201	0401-000005	DIODE-SWITCHING;1N4148,100V,200mA,DO-35,		2	J116	3812-000219	WIRE-NO SHEATH CU;TCWA,300V,52mm(TAPING)	
2	D202	0401-000005	DIODE-SWITCHING;1N4148,100V,200mA,DO-35,		2	J117	3812-000219	WIRE-NO SHEATH CU;TCWA,300V,52mm(TAPING)	
2	D207	0401-000005	DIODE-SWITCHING;1N4148,100V,200mA,DO-35,		2	J119	3812-000219	WIRE-NO SHEATH CU;TCWA,300V,52mm(TAPING)	
2	D208	0401-000005	DIODE-SWITCHING;1N4148,100V,200mA,DO-35,		2	J122	3812-000219	WIRE-NO SHEATH CU;TCWA,300V,52mm(TAPING)	
2	D209	0401-000005	DIODE-SWITCHING;1N4148,100V,200mA,DO-35,		2	J123	3812-000219	WIRE-NO SHEATH CU;TCWA,300V,52mm(TAPING)	
2	D210	0401-000005	DIODE-SWITCHING;1N4148,100V,200mA,DO-35,		2	J124	3812-000219	WIRE-NO SHEATH CU;TCWA,300V,52mm(TAPING)	
2	D211	0401-000005	DIODE-SWITCHING;1N4148,100V,200mA,DO-35,		2	J203	3812-000219	WIRE-NO SHEATH CU;TCWA,300V,52mm(TAPING)	
2	D602	0401-000005	DIODE-SWITCHING;1N4148,100V,200mA,DO-35,		2	J205	3812-000219	WIRE-NO SHEATH CU;TCWA,300V,52mm(TAPING)	
2	D804	0401-000005	DIODE-SWITCHING;1N4148,100V,200mA,DO-35,		2	J206	3812-000219	WIRE-NO SHEATH CU;TCWA,300V,52mm(TAPING)	
2	DZ402	0401-000005	DIODE-SWITCHING;1N4148,100V,200mA,DO-35,		2	J207	3812-000219	WIRE-NO SHEATH CU;TCWA,300V,52mm(TAPING)	
2	D906	0401-000005	DIODE-SWITCHING;1N4148,100V,200mA,DO-35,		2	J208	3812-000219	WIRE-NO SHEATH CU;TCWA,300V,52mm(TAPING)	
2	D405	0401-000005	DIODE-SWITCHING;1N4148,100V,200mA,DO-35,		2	J209	3812-000219	WIRE-NO SHEATH CU;TCWA,300V,52mm(TAPING)	
2	D604	0401-000005	DIODE-SWITCHING;1N4148,100V,200mA,DO-35,		2	J210	3812-000219	WIRE-NO SHEATH CU;TCWA,300V,52mm(TAPING)	
2	D401	0402-000540	DIODE-RECTIFIER;RU20A,600V,1.5A,-,TP		2	J211	3812-000219	WIRE-NO SHEATH CU;TCWA,300V,52mm(TAPING)	
2	D402	0402-000534	DIODE-RECTIFIER;RG10V,400V,1.2A,DO-201,T		2	J212	3812-000219	WIRE-NO SHEATH CU;TCWA,300V,52mm(TAPING)	
2	D404	0402-000534	DIODE-RECTIFIER;RG10V,400V,1.2A,DO-201,T		2	J213	3812-000219	WIRE-NO SHEATH CU;TCWA,300V,52mm(TAPING)	
2	D411	0402-000534	DIODE-RECTIFIER;RG10V,400V,1.2A,DO-201,T		2	J214	3812-000219	WIRE-NO SHEATH CU;TCWA,300V,52mm(TAPING)	
2	D407	0402-000534	DIODE-RECTIFIER;RG10V,400V,1.2A,DO-201,T		2	J215	3812-000219	WIRE-NO SHEATH CU;TCWA,300V,52mm(TAPING)	
2	D406	0402-000132	DIODE-RECTIFIER;1N4004,400V,1A,DO-41,TP		2	J216	3812-000219	WIRE-NO SHEATH CU;TCWA,300V,52mm(TAPING)	
2	D808	0402-000132	DIODE-RECTIFIER;1N4004,400V,1A,DO-41,TP		2	J217	3812-000219	WIRE-NO SHEATH CU;TCWA,300V,52mm(TAPING)	
2	D810	0402-000132	DIODE-RECTIFIER;1N4004,400V,1A,DO-41,TP		2	J218	3812-000219	WIRE-NO SHEATH CU;TCWA,300V,52mm(TAPING)	
2	D811	0402-000132	DIODE-RECTIFIER;1N4004,400V,1A,DO-41,TP		2	J219	3812-000219	WIRE-NO SHEATH CU;TCWA,300V,52mm(TAPING)	
2	D907	0402-000132	DIODE-RECTIFIER;1N4004,400V,1A,DO-41,TP		2	J222	3812-000219	WIRE-NO SHEATH CU;TCWA,300V,52mm(TAPING)	
2	D403	0402-000132	DIODE-RECTIFIER;1N4004,400V,1A,DO-41,TP		2	J223	3812-000219	WIRE-NO SHEATH CU;TCWA,300V,52mm(TAPING)	
2	D801	0402-001111	DIODE-RECTIFIER;1N5397GP,600V,1.5A,DO-20		2	J224	3812-000219	WIRE-NO SHEATH CU;TCWA,300V,52mm(TAPING)	
2	DZ201	0403-000508	DIODE-ZENER;MTZJ5.6B,5.6V,5.45-5.73V,500		2	J225	3812-000219	WIRE-NO SHEATH CU;TCWA,300V,52mm(TAPING)	
2	DZ202	0403-000508	DIODE-ZENER;MTZJ5.6B,5.6V,5.45-5.73V,500		2	J227	3812-000219	WIRE-NO SHEATH CU;TCWA,300V,52mm(TAPING)	
2	DZ802	0403-000508	DIODE-ZENER;MTZJ5.6B,5.6V,5.45-5.73V,500		2	J228	3812-000219	WIRE-NO SHEATH CU;TCWA,300V,52mm(TAPING)	
2	DZ902	0403-000508	DIODE-ZENER;MTZJ5.6B,5.6V,5.45-5.73V,500		2	J229	3812-000219	WIRE-NO SHEATH CU;TCWA,300V,52mm(TAPING)	
2	DZ601	0403-000508	DIODE-ZENER;MTZJ5.6B,5.6V,5.45-5.73V,500		2	J230	3812-000219	WIRE-NO SHEATH CU;TCWA,300V,52mm(TAPING)	
2	DZ603	0403-000508	DIODE-ZENER;MTZJ5.6B,5.6V,5.45-5.73V,500		2	J232	3812-000219	WIRE-NO SHEATH CU;TCWA,300V,52mm(TAPING)	
2	DZ806	0403-000508	DIODE-ZENER;MTZJ5.6B,5.6V,5.45-5.73V,500		2	J234	3812-000219	WIRE-NO SHEATH CU;TCWA,300V,52mm(TAPING)	
2	DZ903	0403-000508	DIODE-ZENER;MTZJ5.6B,5.6V,5.45-5.73V,500		2	J236	3812-000219	WIRE-NO SHEATH CU;TCWA,300V,52mm(TAPING)	
2	DZ904	0403-000508	DIODE-ZENER;MTZJ5.6B,5.6V,5.45-5.73V,500		2	J237	3812-000219	WIRE-NO SHEATH CU;TCWA,300V,52mm(TAPING)	
2	DZ905	0403-000508	DIODE-ZENER;MTZJ5.6B,5.6V,5.45-5.73V,500		2	J238	3812-000219	WIRE-NO SHEATH CU;TCWA,300V,52mm(TAPING)	
2	DZ906	0403-000508	DIODE-ZENER;MTZJ5.6B,5.6V,5.45-5.73V,500		2	J239	3812-000219	WIRE-NO SHEATH CU;TCWA,300V,52mm(TAPING)	
2	DZ907	0403-000508	DIODE-ZENER;MTZJ5.6B,5.6V,5.45-5.73V,500		2	J241	3812-000219	WIRE-NO SHEATH CU;TCWA,300V,52mm(TAPING)	
2	DZ909	0403-000508	DIODE-ZENER;MTZJ5.6B,5.6V,5.45-5.73V,500		2	J244	3812-000219	WIRE-NO SHEATH CU;TCWA,300V,52mm(TAPING)	
2	DZ910	0403-000508	DIODE-ZENER;MTZJ5.6B,5.6V,5.45-5.73V,500		2	J246	3812-000219	WIRE-NO SHEATH CU;TCWA,300V,52mm(TAPING)	
2	DZ604	0403-000508	DIODE-ZENER;MTZJ5.6B,5.6V,5.45-5.73V,500		2	J247	3812-000219	WIRE-NO SHEATH CU;TCWA,300V,52mm(TAPING)	
2	DZ605	0403-000508	DIODE-ZENER;MTZJ5.6B,5.6V,5.45-5.73V,500		2	J248	3812-000219	WIRE-NO SHEATH CU;TCWA,300V,52mm(TAPING)	
2	DZ908	0403-000508	DIODE-ZENER;MTZJ5.6B,5.6V,5.45-5.73V,500		2	J401	3812-000219	WIRE-NO SHEATH CU;TCWA,300V,52mm(TAPING)	
2	DZ203	0403-001321	DIODE-ZENER;MTZJ6.8C,6.66-7.01V,500mW,DO		2	J402	3812-000219	WIRE-NO SHEATH CU;TCWA,300V,52mm(TAPING)	
2	DZ302	0403-001329	DIODE-ZENER;MTZJ24B,22.61-23.77V,500mW,DO		2	J404	3812-000219	WIRE-NO SHEATH CU;TCWA,300V,52mm(TAPING)	
2	DZ303	0403-001329	DIODE-ZENER;MTZJ24B,22.61-23.77V,500mW,DO		2	J409	3812-000219	WIRE-NO SHEATH CU;TCWA,300V,52mm(TAPING)	
2	DZ304	0403-001329	DIODE-ZENER;MTZJ24B,22.61-23.77V,500mW,DO		2	J416	3812-000219	WIRE-NO SHEATH CU;TCWA,300V,52mm(TAPING)	
2	DZ305	0403-001221	DIODE-ZENER;UZ39BSB,35.36-37.19V,500mW,DO		2	J421	3812-000219	WIRE-NO SHEATH CU;TCWA,300V,52mm(TAPING)	
2	DZ306	0403-000700	DIODE-ZENER;TZP33A,33V,31-35V,1W,DO-41,T		2	J422	3812-000219	WIRE-NO SHEATH CU;TCWA,300V,52mm(TAPING)	
2	DZ804	0403-000700	DIODE-ZENER;TZP33A,33V,31-35V,1W,DO-41,T		2	J424	3812-000219	WIRE-NO SHEATH CU;TCWA,300V,52mm(TAPING)	
2	DZ401	0403-001325	DIODE-ZENER;MTZJ15C,14.35-15.09V,500mW,DO		2	J428	3812-000219	WIRE-NO SHEATH CU;TCWA,300V,52mm(TAPING)	
2	DZ801	0403-001322	DIODE-ZENER;MTZJ8.2B,7.78-8.19V,500mW,DO		2	J601	3812-000219	WIRE-NO SHEATH CU;TCWA,300V,52mm(TAPING)	
2	DZ808	0403-001322	DIODE-ZENER;MTZJ8.2B,7.78-8.19V,500mW,DO		2	J602	3812-000219	WIRE-NO SHEATH CU;TCWA,300V,52mm(TAPING)	
2	DZ204	0403-001322	DIODE-ZENER;MTZJ8.2B,7.78-8.19V,500mW,DO		2	J603	3812-000219	WIRE-NO SHEATH CU;TCWA,300V,52mm(TAPING)	
2	DZ205	0403-001322	DIODE-ZENER;MTZJ8.2B,7.78-8.19V,500mW,DO		2	J604	3812-000219	WIRE-NO SHEATH CU;TCWA,300V,52mm(TAPING)	
2	DZ805	1203-001217	IC-POS1,ADJUST REG.,431,TO-92,3P4.58MIL		2	J606	3812-000219	WIRE-NO SHEATH CU;TCWA,300V,52mm(TAPING)	





Level	Loc. No.	Code No.	Description ; Specification	Remark	Level	Loc. No.	Code No.	Description ; Specification	Remark
2	R627	2001-000281	R-CARBON;1000HM,5%,1/8W,AA,TP1.8X3.2MM		2	R602	2001-000429	R-CARBON;1KOHM,5%,1/8W,AA,TP1.8X3.2MM	
2	R723	2001-000281	R-CARBON;1000HM,5%,1/8W,AA,TP1.8X3.2MM		2	R902	2001-000429	R-CARBON;1KOHM,5%,1/8W,AA,TP1.8X3.2MM	
2	R909	2001-000281	R-CARBON;1000HM,5%,1/8W,AA,TP1.8X3.2MM		2	R816	2001-000429	R-CARBON;1KOHM,5%,1/8W,AA,TP1.8X3.2MM	
2	R907	2001-000281	R-CARBON;1000HM,5%,1/8W,AA,TP1.8X3.2MM		2	R228	2001-000117	R-CARBON(S);680HM,5%,1/2W,AA,TP2.4X6.4M	
2	J904	2001-000281	R-CARBON;1000HM,5%,1/8W,AA,TP1.8X3.2MM		2	R303	2001-000016	R-CARBON(S);10HM,5%,1/2W,AA,TP2.4X6.4MM	
2	R925	2001-000281	R-CARBON;1000HM,5%,1/8W,AA,TP1.8X3.2MM		2	R828	2008-000266	R-FUSIBLE(S);1ohm,5%,2W,AF,TP3.9x10mm	
2	J920	2001-000281	R-CARBON;1000HM,5%,1/8W,AA,TP1.8X3.2MM		2	R314	2004-001984	R-METAL(S);26.7Kohm,1%,1/2W,AA,TP2.4x6.	
2	R955	2001-000281	R-CARBON;1000HM,5%,1/8W,AA,TP1.8X3.2MM		2	R411	2001-000028	R-CARBON(S);1000HM,5%,1/2W,AA,TP2.4X6.4	
2	R231	2001-000281	R-CARBON;1000HM,5%,1/8W,AA,TP1.8X3.2MM		2	R412	2001-000020	R-CARBON(S);220HM,5%,1/2W,AA,TP2.4X6.4M	
2	R232	2001-000281	R-CARBON;1000HM,5%,1/8W,AA,TP1.8X3.2MM		2	R422	2001-000020	R-CARBON(S);220HM,5%,1/2W,AA,TP2.4X6.4M	
△	RY801S	2002-001011	R-COMPOSITION;3.3Mohm,5%,1/2W,AA,TP3.7x		2	R421	2001-001093	R-CARBON(S);2.2KOHM,5%,1/2W,AA,TP2.4X6.	
△	RY802S	2002-001013	R-COMPOSITION;4.7Mohm,5%,1/2W,AA,TP3.7x		2	R432	2001-001093	R-CARBON(S);2.2KOHM,5%,1/2W,AA,TP2.4X6.	
△	VP801S	1405-000187	VARISTOR;750V,1250A,12.5x7mm,TP		2	R913	2001-000947	R-CARBON;7.5KOHM,5%,1/8W,AA,TP1.8X3.2M	
△	VX801S	1405-000187	VARISTOR;750V,1250A,12.5x7mm,TP		2	R426	2003-000540	R-METAL OXIDE(S);1Kohm,5%,2W,AF,TP4x12m	
2	X901	2801-003728	CRYSTAL-UNIT;6MHz,30ppm,28-AAM,20pF,40oh		2	R614	2001-000780	R-CARBON;4700HM,5%,1/8W,AA,TP1.8X3.2MM	
2	L103	2701-000115	INDUCTOR-AXIAL;10uH,10%,3x7mm		2	R615	2001-000780	R-CARBON;4700HM,5%,1/8W,AA,TP1.8X3.2MM	
2		0203-001123	TAPE PAPER;#G3131,TO.15,W6.0,L200000,YEL		2	R616	2001-000780	R-CARBON;4700HM,5%,1/8W,AA,TP1.8X3.2MM	
2	C707	2401-000939	C-AL;22uF,20%,25V,GPTP5x11.5		2	R617	2001-000780	R-CARBON;4700HM,5%,1/8W,AA,TP1.8X3.2MM	
2	L202	2701-000114	INDUCTOR-AXIAL;10uH,10%,2.5x3.4mm		2	R920	2001-000780	R-CARBON;4700HM,5%,1/8W,AA,TP1.8X3.2MM	
2	L301	2701-000114	INDUCTOR-AXIAL;10uH,10%,2.5x3.4mm		2	R226	2001-000780	R-CARBON;4700HM,5%,1/8W,AA,TP1.8X3.2MM	
2	L406	2701-000114	INDUCTOR-AXIAL;10uH,10%,2.5x3.4mm		2	R224	2001-000780	R-CARBON;4700HM,5%,1/8W,AA,TP1.8X3.2MM	
2	L907	2701-000114	INDUCTOR-AXIAL;10uH,10%,2.5x3.4mm		2	R225	2001-000780	R-CARBON;4700HM,5%,1/8W,AA,TP1.8X3.2MM	
2	L711	2701-000114	INDUCTOR-AXIAL;10uH,10%,2.5x3.4mm		2	R812	2001-000780	R-CARBON;4700HM,5%,1/8W,AA,TP1.8X3.2MM	
2	L108	2701-000114	INDUCTOR-AXIAL;10uH,10%,2.5x3.4mm		2	R831	2001-000780	R-CARBON;4700HM,5%,1/8W,AA,TP1.8X3.2MM	
2	L109	2701-000114	INDUCTOR-AXIAL;10uH,10%,2.5x3.4mm		2	R931	2001-000780	R-CARBON;4700HM,5%,1/8W,AA,TP1.8X3.2MM	
2	R706	2701-000114	INDUCTOR-AXIAL;10uH,10%,2.5x3.4mm		2	R956	2001-000780	R-CARBON;4700HM,5%,1/8W,AA,TP1.8X3.2MM	
2	R707	2701-000114	INDUCTOR-AXIAL;10uH,10%,2.5x3.4mm		2	R919	2001-000780	R-CARBON;4700HM,5%,1/8W,AA,TP1.8X3.2MM	
2	R708	2701-000114	INDUCTOR-AXIAL;10uH,10%,2.5x3.4mm		2	R214	2001-000411	R-CARBON;18KOHM,5%,1/8W,AA,TP1.8X3.2MM	
2	L902	2701-000184	INDUCTOR-AXIAL;4.7uH,10%,2.5x3.4mm		2	R704	2001-000969	R-CARBON;750HM,5%,1/8W,AA,TP1.8X3.2MM	
2	L222	2701-000184	INDUCTOR-AXIAL;4.7uH,10%,2.5x3.4mm		2	R242	2001-000969	R-CARBON;750HM,5%,1/8W,AA,TP1.8X3.2MM	
2	L302	3301-000287	CORE-FERRITE BEAD;AA,3.5x1.0x6.0mm,1500,		2	R802	2003-001025	R-METAL OXIDE(S);15Kohm,5%,2W,AF,TP3.9x	
2	L802	3301-000287	CORE-FERRITE BEAD;AA,3.5x1.0x6.0mm,1500,		2	R803	2003-001025	R-METAL OXIDE(S);15Kohm,5%,2W,AF,TP3.9x	
2	L803	3301-000287	CORE-FERRITE BEAD;AA,3.5x1.0x6.0mm,1500,		2	R804	2003-001025	R-METAL OXIDE(S);15Kohm,5%,2W,AF,TP3.9x	
2	L809	3301-000287	CORE-FERRITE BEAD;AA,3.5x1.0x6.0mm,1500,		2	R805	2001-001150	R-CARBON(S);470KOHM,5%,1/2W,AA,TP2.4X6.	
2	J901	3301-000287	CORE-FERRITE BEAD;AA,3.5x1.0x6.0mm,1500,		2	R806	2001-001150	R-CARBON(S);470KOHM,5%,1/2W,AA,TP2.4X6.	
2	L303	3301-000287	CORE-FERRITE BEAD;AA,3.5x1.0x6.0mm,1500,		2	R813	2001-001153	R-CARBON(S);47OHM,5%,1/2W,AA,TP2.4X6.4M	
2	L207	3301-000287	CORE-FERRITE BEAD;AA,3.5x1.0x6.0mm,1500,		2	R832	2001-001153	R-CARBON(S);47OHM,5%,1/2W,AA,TP2.4X6.4M	
2	J406	3301-000287	CORE-FERRITE BEAD;AA,3.5x1.0x6.0mm,1500,		2	R810	2001-001178	R-CARBON(S);680OHM,5%,1/2W,AA,TP2.4X6.4	
2	L412	3301-000287	CORE-FERRITE BEAD;AA,3.5x1.0x6.0mm,1500,		2	R418	2001-001178	R-CARBON(S);680OHM,5%,1/2W,AA,TP2.4X6.4	
2	L407	2901-000297	FILTER-EMI ON BOARD;-.3A,-,3.5x5,TP,-		2	R819	2004-001983	R-METAL(S);2.49Kohm,1%,1/2W,AA,TP2.4x6.	
2	L807	2901-000297	FILTER-EMI ON BOARD;-.3A,-,3.5x5,TP,-		2	R301	2004-001983	R-METAL(S);2.49Kohm,1%,1/2W,AA,TP2.4x6.	
2	L601	2901-000297	FILTER-EMI ON BOARD;-.3A,-,3.5x5,TP,-		2	R820	2001-001096	R-CARBON(S);2.2OHM,5%,1/2W,AA,TP2.4X6.4	
2	L609	2901-000297	FILTER-EMI ON BOARD;-.3A,-,3.5x5,TP,-		2	R822	2001-000273	R-CARBON;100KOHM,5%,1/8W,AA,TP1.8X3.2M	
2	R233	2901-000297	FILTER-EMI ON BOARD;-.3A,-,3.5x5,TP,-		2	R824	2001-000273	R-CARBON;100KOHM,5%,1/8W,AA,TP1.8X3.2M	
2	L201	2901-000297	FILTER-EMI ON BOARD;-.3A,-,3.5x5,TP,-		2	R825	2001-000066	R-CARBON(S);10KOHM,5%,1/2W,AA,TP2.4X6.4	
2	C233	2901-000297	FILTER-EMI ON BOARD;-.3A,-,3.5x5,TP,-		2	R901	2001-000734	R-CARBON;4.7KOHM,5%,1/8W,AA,TP1.8X3.2M	
2	C234	2901-000297	FILTER-EMI ON BOARD;-.3A,-,3.5x5,TP,-		2	R903	2001-000734	R-CARBON;4.7OHM,5%,1/8W,AA,TP1.8X3.2M	
2	C235	2901-000297	FILTER-EMI ON BOARD;-.3A,-,3.5x5,TP,-		2	R904	2001-000734	R-CARBON;4.7KOHM,5%,1/8W,AA,TP1.8X3.2M	
2	C236	2901-000297	FILTER-EMI ON BOARD;-.3A,-,3.5x5,TP,-		2	R905	2001-000734	R-CARBON;4.7KOHM,5%,1/8W,AA,TP1.8X3.2M	
2	L604	2701-000169	INDUCTOR-AXIAL;3.9uH,10%,2.5x3.4mm		2	R906	2001-000734	R-CARBON;4.7KOHM,5%,1/8W,AA,TP1.8X3.2M	
2	Q201	0501-000389	TR-SMALL SIGNAL;KSC815,NPN,400mWV,TO-92,T		2	R908	2001-000734	R-CARBON;4.7KOHM,5%,1/8W,AA,TP1.8X3.2M	
2	Q202	0501-000389	TR-SMALL SIGNAL;KSC815,NPN,400mWV,TO-92,T		2	R921	2001-000734	R-CARBON;4.7KOHM,5%,1/8W,AA,TP1.8X3.2M	
2	Q203	0501-000389	TR-SMALL SIGNAL;KSC815,NPN,400mWV,TO-92,T		2	R927	2001-000734	R-CARBON;4.7KOHM,5%,1/8W,AA,TP1.8X3.2M	
2	Q901	0501-000389	TR-SMALL SIGNAL;KSC815,NPN,400mWV,TO-92,T		2	R928	2001-000734	R-CARBON;4.7KOHM,5%,1/8W,AA,TP1.8X3.2M	
2	Q906	0501-000389	TR-SMALL SIGNAL;KSC815,NPN,400mWV,TO-92,T		2	R937	2001-000734	R-CARBON;4.7KOHM,5%,1/8W,AA,TP1.8X3.2M	
2	Q908	0501-000389	TR-SMALL SIGNAL;KSC815,NPN,400mWV,TO-92,T		2	R938	2001-000734	R-CARBON;4.7KOHM,5%,1/8W,AA,TP1.8X3.2M	
2	Q701	0501-000389	TR-SMALL SIGNAL;KSC815,NPN,400mWV,TO-92,T		2	R833	2001-000734	R-CARBON;4.7KOHM,5%,1/8W,AA,TP1.8X3.2M	
2	Q204	0501-000389	TR-SMALL SIGNAL;KSC815,NPN,400mWV,TO-92,T		2	R724	2001-000734	R-CARBON;4.7KOHM,5%,1/8W,AA,TP1.8X3.2M	
2	Q601	0501-000389	TR-SMALL SIGNAL;KSC815,NPN,400mWV,TO-92,T		2	R725	2001-000734	R-CARBON;4.7KOHM,5%,1/8W,AA,TP1.8X3.2M	
2	Q907	0501-000389	TR-SMALL SIGNAL;KSC815,NPN,400mWV,TO-92,T		2	R253	2001-000734	R-CARBON;4.7KOHM,5%,1/8W,AA,TP1.8X3.2M	
2	R244	2001-000786	R-CARBON;47KOHM,5%,1/8W,AA,TP1.8X3.2MM		2	R248	2001-000003	R-CARBON;330ohm,5%,1/8W,AA,TP1.8X3.2mm	
2	R954	2001-000786	R-CARBON;47KOHM,5%,1/8W,AA,TP1.8X3.2MM		2	R249	2001-000003	R-CARBON;330ohm,5%,1/8W,AA,TP1.8X3.2mm	
2	R215	2001-000522	R-CARBON;22KOHM,5%,1/8W,AA,TP1.8X3.2MM		2	R250	2001-000003	R-CARBON;330ohm,5%,1/8W,AA,TP1.8X3.2mm	
2	R823	2001-000522	R-CARBON;22KOHM,5%,1/8W,AA,TP1.8X3.2MM		2	R911	2001-000003	R-CARBON;330ohm,5%,1/8W,AA,TP1.8X3.2mm	
2	R910	2001-000522	R-CARBON;22KOHM,5%,1/8W,AA,TP1.8X3.2MM		2	R922	2001-000924	R-CARBON;680OHM,5%,1/8W,AA,TP1.8X3.2MM	
2	R216	2001-000429	R-CARBON;1KOHM,5%,1/8W,AA,TP1.8X3.2MM		2	R923	2001-000924	R-CARBON;680OHM,5%,1/8W,AA,TP1.8X3.2MM	
2	R603	2001-000429	R-CARBON;1KOHM,5%,1/8W,AA,TP1.8X3.2MM		2	C833	2401-002619	C-AL;47uF,20%,25V,GPTP5x11.5	
2	R817	2001-000429	R-CARBON;1KOHM,5%,1/8W,AA,TP1.8X3.2MM		2	C229	2401-002619	C-AL;47uF,20%,25V,GPTP5x11.5	
2	R924	2001-000429	R-CARBON;1KOHM,5%,1/8W,AA,TP1.8X3.2MM		2	CN602	3711-002644	CONNECTOR-HEADER;BOX,5P1R,2.5mm,STRAIGH	
2	R914	2001-000429	R-CARBON;1KOHM,5%,1/8W,AA,TP1.8X3.2MM		2	CN901	3711-002644	CONNECTOR-HEADER;BOX,5P1R,2.5mm,STRAIGH	
2	R936	2001-000429	R-CARBON;1KOHM,5%,1/8W,AA,TP1.8X3.2MM		2	CN903	3711-002644	CONNECTOR-HEADER;BOX,3P1R,2.5mm,STRAIGH	
2	R252	2001-000429	R-CARBON;1KOHM,5%,1/8W,AA,TP1.8X3.2MM		2	CW901	2503-000156	C-NETWORK;100pF,4,20%,50V	
2	R726	2001-000429	R-CARBON;1KOHM,5%,1/8W,AA,TP1.8X3.2MM		2	D203	0404-000156	DIODE-SCHOTTKY;RB441Q,10V,100mA,DO-34,TP	
2	R209	2001-000429	R-CARBON;1KOHM,5%,1/8W,AA,TP1.8X3.2MM		2	D204	0404-000156	DIODE-SCHOTTKY;RB441Q,10V,100mA,DO-34,TP	
2	R254	2001-000429	R-CARBON;1KOHM,5%,1/8W,AA,TP1.8X3.2MM		2	D205	0404-000156	DIODE-SCHOTTKY;RB441Q,10V,100mA,DO-34,TP	
2	R601	2001-000429	R-CARBON;1KOHM,5%,1/8W,AA,TP1.8X3.2MM		2	D206	0404-000156	DIODE-SCHOTTKY;RB441Q,10V,100mA,DO-34,TP	



Level	Loc. No.	Code No.	Description ; Specification	Remark	Level	Loc. No.	Code No.	Description ; Specification	Remark
2	D901	0404-000156	DIODE-SCHOTTKY;RB441Q,10V,100mA,DO-34,TP		2	CN502	3711-002646	CONNECTOR-HEADER;BOX,7P,1R,2.5mm,STRAIGH	
2	D902	0404-000156	DIODE-SCHOTTKY;RB441Q,10V,100mA,DO-34,TP		2	CN704	3711-002646	CONNECTOR-HEADER;BOX,7P,1R,2.5mm,STRAIGH	
2	D903	0404-000156	DIODE-SCHOTTKY;RB441Q,10V,100mA,DO-34,TP		2	R808	2001-001079	R-CARBON(S);150OHM,5%,1/2W,AA,TP,2.4X6.4M	
2	D904	0404-000156	DIODE-SCHOTTKY;RB441Q,10V,100mA,DO-34,TP		2	R304	2008-000254	R-FUSIBLE(S);0.68ohm,5%,2W,AF,TP,3.9x10m	
2	DZ803	0403-001167	DIODE-ZENER;MTZJ30D,30V,29.02-30.51V,500		2	R307	2008-000254	R-FUSIBLE(S);0.68ohm,5%,2W,AF,TP,3.9x10m	
△	FA802S	3601-001086	FUSE-AXIAL LEAD;125V,5A,FAST-ACTING,GLAS		2	R425	2008-001011	R-FUSIBLE(S);0.18ohm,10%,2W,AF,TP,3.9x10	
2	HIC201	AA13-00093A	IC HYBRID;-DRGB001A,SIP5P,-,TP		2		HAB8-02176A	LABEL;LABEL	
2	HIC202	AA13-00093A	IC HYBRID;-DRGB001A,SIP5P,-,TP		2	R423	2001-001122	R-CARBON(S);3.9KOHM,5%,1/2W,AA,TP,2.4X6.	
2	HIC203	AA13-00093A	IC HYBRID;-DRGB001A,SIP5P,-,TP		2	C654	2201-000611	C-CERAMIC,DISC;0.056nF,5%,50V,NP0,TP,7x3	
2	HIC204	AA13-00093A	IC HYBRID;-DRGB001A,SIP5P,-,TP		2	C425	2301-001259	C-FILM,MPPF;100nF,5%,400V,TP;19x8x16,7.5	
2	R409	2003-001018	R-METAL OXIDE(S);220ohm,5%,2W,AF,TP,3.9x		2	C622	2401-001989	C-AL;4.7uF,20%,50V,BPT,5x11.5	
2	R410	2003-001018	R-METAL OXIDE(S);220ohm,5%,2W,AF,TP,3.9x		2	C625	2401-001989	C-AL;4.7uF,20%,50V,BPT,5x11.5	
2	R413	2008-001018	R-FUSIBLE(S);0.47ohm,10%,2W,AF,TP,3.9x10		2	C626	2401-001989	C-AL;4.7uF,20%,50V,BPT,5x11.5	
2	R424	2008-001018	R-FUSIBLE(S);0.47ohm,10%,2W,AF,TP,3.9x10		2	C628	2401-001989	C-AL;4.7uF,20%,50V,BPT,5x11.5	
2	R827	2008-000284	R-FUSIBLE(S);0.10HM,10%,2W,AF,TP,3.9X10M		2	C104	2401-002463	C-AL;470uF,20%,16V,GP,TP,8x11.5.5	
2	R829	2008-001029	R-FUSIBLE(S);5.6ohm,5%,2W,AF,TP,3.9x10mm		△	C808	2401-003046	R-METAL OXIDE(S);220ohm,5%,2W,AG,TP,3.9x	
2	R835	2003-002181	R-METAL OXIDE(S);68Kohm,5%,2W,AG,TP,3.9x		2	D301	0402-001105	DIODE-RECTIFIER;ERB43-04SV1,400V,1.0A,-	
2	R836	2003-002181	R-METAL OXIDE(S);68Kohm,5%,2W,AG,TP,3.9x		△	D803	0402-001105	DIODE-RECTIFIER;ERB43-04SV1,400V,1.0A,-	
2	R433	2001-001042	R-METAL OXIDE(S);5.6Kohm,5%,2W,AF,TP,3.9		△	D816	0402-001105	DIODE-RECTIFIER;ERB43-04SV1,400V,1.0A,-	
2	R717	2001-000702	R-CARBON;39KOHM,5%,1/8W,AA,TP,1.8X3.2MM		2	DZ602	0403-000720	DIODE-ZENER;MTZJ9,1B,9.1V,8.57-9.01V,500	
2	R718	2001-000702	R-CARBON;39KOHM,5%,1/8W,AA,TP,1.8X3.2MM		2	R207	2001-000221	R-CARBON;1.2KOHM,5%,1/8W,AA,TP,1.8X3.2M	
2	R105	2001-000702	R-CARBON;39KOHM,5%,1/8W,AA,TP,1.8X3.2MM		2	R208	2001-000405	R-CARBON;180OHM,5%,1/8W,AA,TP,1.8X3.2MM	
2	X601	2801-003903	CRYSTAL-UNIT;18.432MHz,25ppm,28-AAM,12pF		2	R414	2008-000253	R-FUSIBLE(S);0.47ohm,5%,1W,AF,TP,3.9x10m	
2	IC904	1203-001943	IC-VOL. DETECTOR;7025,10-92,3P,-,PLDRI001A		2	HIC401	AA13-00094A	IC HYBRID;-DRGB001A,SIP5P,-,TP	
2	PCB	AA41-00169H	PCB-MAIN;CS29A6,FR-1.1L,H,1.6T,330X245,K		2	R404	2001-0003218	R-CARBON(S);0.18ohm,10%,1/2W,AA,TP,2.4x6	
2	Q802	0501-000369	TR-SMALL SIGNAL,KSC2331-Y,NPN,1000mW,TO-		2	C102	2401-001513	C-AL;47uF,20%,16V,WT,TP,6.3x11.5	
2	Q909	0505-000109	FET-SILICON;2N7000,N,60V,200mA,5ohm,400m		2	C913	2401-000287	C-AL;100uF,20%,16V,WT,TP,6.3x11.5	
2	Q910	0505-000109	FET-SILICON;2N7000,N,60V,200mA,5ohm,400m		2	C915	2401-000287	C-AL;100uF,20%,16V,WT,TP,6.3x11.5	
2	R434	2003-001091	R-METAL OXIDE(S);10ohm,5%,2W,AF,TP,4x12m		2	C918	2401-000287	C-AL;100uF,20%,16V,WT,TP,6.3x11.5	
2	R403	2003-001091	R-METAL OXIDE(S);10ohm,5%,2W,AF,TP,4x12m		2	C210	2401-000287	C-AL;100uF,20%,16V,WT,TP,6.3x11.5	
2	C113	2202-000127	C-CERAMIC,MLC-AXIAL;10nF,+80-20%,25V,Y5V		2	L102	2701-000159	INDUCTOR-AXIAL;22uH,10%,4.2x9.8mm	
2	C925	2202-000127	C-CERAMIC,MLC-AXIAL;10nF,+80-20%,25V,Y5V		2	R420	2004-004015	R-METAL(S);9.1Kohm,1%,1/2W,AA,TP,2.5x6.5	
2	L705	2701-000180	INDUCTOR-AXIAL;33uH,5%,2.5x3.4mm		2	C106	2401-000611	C-AL;1uF,20%,50V,WT,TP,5x11.5	
2	L706	2701-000180	INDUCTOR-AXIAL;33uH,5%,2.5x3.4mm		2	C303	2201-002103	C-CERAMIC,DISC;0.015nF,5%,500V,NP0,TP,6	
2	L605	2701-000180	INDUCTOR-AXIAL;33uH,5%,2.5x3.4mm		2	C409	2301-001385	C-FILM,PPF;30nF,5%,630V,TP,20x15.5x10.5	
2	L606	2701-000180	INDUCTOR-AXIAL;33uH,5%,2.5x3.4mm		2	C411	2301-000445	C-FILM,PEF;4.7nF,5%,50V,TP,5.5x7x3mm,5mm	
2	L607	2701-000180	INDUCTOR-AXIAL;33uH,5%,2.5x3.4mm		2	C412	2301-000148	C-FILM,PEF;10nF,5%,100V,TP,7x3.2x7mm,5mm	
2	L608	2701-000180	INDUCTOR-AXIAL;33uH,5%,2.5x3.4mm		2	L905	2001-000995	R-CARBON;820OHM,5%,1/8W,AA,TP,1.8X3.2MM	
2	L701	2701-000180	INDUCTOR-AXIAL;33uH,5%,2.5x3.4mm		2	R302	2004-004029	R-METAL(S);10Kohm,1%,1/2W,AA,TP,2.5x6.5	
2	L702	2701-000180	INDUCTOR-AXIAL;33uH,5%,2.5x3.4mm		2	R305	2003-002205	R-METAL OXIDE(S);330ohm,5%,2W,AG,TP,3.9X	
2	R106	2001-000864	R-CARBON;56KOHM,5%,1/8W,AA,TP,1.8X3.2MM		2	R306	2003-002205	R-METAL OXIDE(S);330ohm,5%,2W,AG,TP,3.9X	
2	R313	2004-001137	R-METAL;6.8Kohm,1%,1/8W,AA,TP,1.8x3.2m		2	R415	2001-001099	R-CARBON(S);2.7KOHM,5%,1/2W,AA,TP,2.4X6.	
2	R710	2001-000938	R-CARBON;68OHM,5%,1/8W,AA,TP,1.8X3.2MM		2	R607	2001-000007	R-CARBON;3KOHM,5%,1/8W,AA,TP,1.8X3.2MM	
2	R709	2001-000938	R-CARBON;68OHM,5%,1/8W,AA,TP,1.8X3.2MM		2	R608	2001-000007	R-CARBON;3KOHM,5%,1/8W,AA,TP,1.8X3.2MM	
2	R241	2001-000938	R-CARBON;68OHM,5%,1/8W,AA,TP,1.8X3.2MM		2	R212	2004-000218	R-METAL;10Kohm,1%,1/8W,AA,TP,1.8x3.2mm	
2	R811	2004-001408	R-METAL(S);91Kohm,1%,1/2W,AA,TP,2.4x6.4m		△	FA803S	3601-001228	FUSE-AXIAL LEAD;125V,10A,FAST-ACTING,EPO	
2	R809	2001-000022	R-CARBON(S);33OHM,5%,1/2W,AA,TP,2.4X6.4M		2	R401	2003-000586	R-METAL OXIDE(S);22Kohm,5%,2W,AF,TP,4x12	
2	L901	2702-001094	INDUCTOR-RADIAL;10uH,10%,6x4mm		2	R402	2003-000586	R-METAL OXIDE(S);22Kohm,5%,2W,AF,TP,4x12	
2	L903	2702-001094	INDUCTOR-RADIAL;10uH,10%,6x4mm		2	D408	0402-000493	DIODE-RECTIFIER;1R5G41,400V,1.5A,DO-15L	
2	L904	2702-001094	INDUCTOR-RADIAL;10uH,10%,6x4mm		2	R407	2001-001114	R-CARBON(S);270OHM,5%,1/2W,AA,TP,2.4X6.4	
2	L909	2701-000191	INDUCTOR-AXIAL;47uH,10%,2.5x3.4mm		2	C828	2201-000376	C-CERAMIC,DISC;0.22nF,5%,50V,SL,TP,6.3x3	
2	L908	2701-000191	INDUCTOR-AXIAL;47uH,10%,2.5x3.4mm		2	R919	2701-000183	INDUCTOR-AXIAL;39uH,5%,2.5x3.4mm	
2	R818	2001-001113	R-CARBON(S);270KOHM,5%,1/2W,AA,TP,2.4X6.		2	J415	2008-001013	R-FUSIBLE(S);1.2ohm,5%,2W,AF,TP,3.9x10mm	
2	CN702	3711-002647	CONNECTOR-HEADER;BOX,8P,1R,2.5mm,STRAIGH		2	R826	2003-001035	R-METAL OXIDE(S);27ohm,5%,2W,AF,TP,3.9x1	
2	C656	2201-000304	C-CERAMIC,DISC;0.001nF,0.25pF,50V,NP0,TP		2	KEZ1	2303-000296	C-FILM,PPF;18nF,0.05,630V,BK,20x16x9.5mm	
2	C657	2201-000304	C-CERAMIC,DISC;0.001nF,0.25pF,50V,NP0,TP		2	C410	2301-000213	C-FILM,PEF;220nF,5%,250V,TP,21.5x11.7.5	
2	C306	2301-000342	C-FILM,PEF;2.2nF,5%,50V,TP,7.4x3.9x13mm,		2	C427	2401-002267	C-AL;2.2uF,20%,250V,GP,TP,8x11.5,5	
2	C415	2301-000342	C-FILM,PEF;2.2nF,5%,50V,TP,7.4x3.9x13mm,		2	D413	0402-000537	DIODE-RECTIFIER;RH1A,600V,0.6A,DO-204AC	
2	C621	2401-002458	C-AL;1000uF,20%,35V,GP,TP,16x25,7.5		2	R436	2003-002008	R-METAL OXIDE(S);18Kohm,5%,2W,AF,TP,3.9x	
2	C824	2401-003046	C-AL;47uF,20%,50V,WT,TP,6.3x11.2,5		2	C203	2401-000480	C-AL;10uF,20%,50V,GP,TP,5x11.5	
2	C823	2401-003046	C-AL;47uF,20%,50V,WT,TP,6.3x11.2,5		2	R944	2001-000613	R-CARBON;3.9KOHM,5%,1/8W,AA,TP,1.8X3.2M	
2	C115	2202-000121	C-CERAMIC,MLC-AXIAL;100pF,10%,50V,Y5P,TP		2	L910	2701-000215	INDUCTOR-AXIAL;8.2uH,10%,2.5x3.4mm	
2	C116	2202-000121	C-CERAMIC,MLC-AXIAL;100pF,10%,50V,Y5P,TP		2	C926	2202-000154	C-CERAMIC,MLC-AXIAL;150pF,10%,50V,Y5P,TP	
2	C701	2202-000121	C-CERAMIC,MLC-AXIAL;100pF,10%,50V,Y5P,TP		2	L208	2701-000147	INDUCTOR-AXIAL;2.2uH,5%,2.4x3.4mm	
2	L209	2701-000168	INDUCTOR-AXIAL;3.3uH,5%,2.5x3.4mm		2	C246	2202-000210	C-CERAMIC,MLC-AXIAL;270pF,10%,50V,Y5P,TP	
2	L210	2701-000168	INDUCTOR-AXIAL;3.3uH,5%,2.5x3.4mm		2	C248	2202-000210	C-CERAMIC,MLC-AXIAL;270pF,10%,50V,Y5P,TP	
2	L212	2701-000168	INDUCTOR-AXIAL;3.3uH,5%,2.5x3.4mm		2	C247	2202-000849	C-CERAMIC,MLC-AXIAL;18pF,5%,50V,CH,TP,3.	
2	L801	3301-001223	CORE-FERRITE BEAD;AA,62ohm,3.5x0.8x5mm,-		△	RX801S	2002-001010	R-COMPOSITION;1.8Mohm,5%,1/2W,AA,TP,3.7x	
2	L806	3301-001223	CORE-FERRITE BEAD;AA,62ohm,3.5x0.8x5mm,-		△	FP801S	3601-000297	FUSE-CARDRIDGE;250V,5A,TIME-LAG,GLASS,5.	
2	R945	2001-000449	R-CARBON;2.2KOHM,5%,1/8W,AA,TP,1.8X3.2M		2	F801A	3602-000114	FUSE-HOLDER;-,-,30mohm	
2	R946	2001-000449	R-CARBON;2.2KOHM,5%,1/8W,AA,TP,1.8X3.2M		2	F801B	3602-000114	FUSE-HOLDER;-,-,30mohm	
2	R821	2004-001891	R-METAL(S);133Kohm,1%,1/2W,AA,TP,2.5x6.5		2	RH28	2008-001113	R-FUSIBLE(S);0.22ohm,10%,2W,AG,TP,3.9x12	
2	R210	2001-000812	R-CARBON;5.6KOHM,5%,1/8W,AA,TP,1.8X3.2M		△	RR430S	2001-001088	R-CARBON(S);1KOHM,5%,1/2W,AA,TP,2.4X6.4M	
2	C835	2401-002289	C-AL;470uF,20%,35V,WT,TP,10x20,5		2	R429	2001-001112	R-CARBON(S);24KOHM,5%,1/2W,AA,TP,2.4X6.4	
2	C840	2401-002212	C-AL;10uF,20%,25V,WT,TP,5x11.5		2	R428	2001-001191	R-CARBON(S);820KOHM,5%,1/2W,AA,TP,2.4X6.	
2	C827	2401-002212	C-AL;10uF,20%,25V,WT,TP,5x11.5		2	R315	2004-002022	R-METAL(S);51Kohm,1%,1/2W,AA,TP,2.4x6.4m	
2	R417	2004-001397	R-METAL(S);4.7Kohm,1%,1/2W,AA,TP,2.4x6.4		2	IC901	AA09-00221A	IC MICOM;SIM806HEV2-A042,SIM806HEW2-A042	

Level	Loc. No.	Code No.	Description ; Specification	Remark	Level	Loc. No.	Code No.	Description ; Specification	Remark
	2	IC601	1204-001661	IC-SOUND PROCESSOR;MSP3411G-A2,DIP52P,-	3	C33	2203-000236	C-CERAMIC,CHIP;0.1nF,5%,50V,NP0,TP,1608	
△	2	T401	AA26-50001S	TRANS-HORIZ DRIVE,-,-,6.0mH,-,44uH,-	3	C37	2203-000236	C-CERAMIC,CHIP;0.1nF,5%,50V,NP0,TP,1608	
△	2	TU01S	AA40-00079A	TUNER;TCPW3001PD16A(S),PAL,181CH,38.	3	C16	2203-000257	C-CERAMIC,CHIP;10nF,10%,50V,X7R,TP,1608	
	2		AA98-00245A	ASSY SUB PART;S51A,PCB MAIN(OPT)	3	C1	2203-000491	C-CERAMIC,CHIP;2.2nF,10%,50V,X7R,TP,1608	
	3		0202-000008	SOLDER-WIRE;S63S-W3.0,S63S,D3,63Sn/37Pb,	3	C13	2203-000491	C-CERAMIC,CHIP;2.2nF,10%,50V,X7R,TP,1608	
	3		0202-000187	SOLDER-WIRE FLUX;-,-,RS60S,D1.2,63Sn/37Pb	3	C17	2203-000491	C-CERAMIC,CHIP;2.2nF,10%,50V,X7R,TP,1608	
	3		0204-001024	FLUX;DF-98TVS,-,20%,-	3	C18	2203-000491	C-CERAMIC,CHIP;2.2nF,10%,50V,X7R,TP,1608	
	3		0204-000442	SOLVENT;1M-1000,C3H7OH,96,-	3	C2	2203-000491	C-CERAMIC,CHIP;2.2nF,10%,50V,X7R,TP,1608	
△	2	T801S	AA26-00046B	TRANS SWITCHING;CODE-NO,CW6844N8X/XEF,-	3	C24	2203-000491	C-CERAMIC,CHIP;2.2nF,10%,50V,X7R,TP,1608	
△	2	IC804	HA96-00243C	ASSY-H/S;-,-,REGULATOR,AA62-00045A,KA7806	3	C25	2203-000491	C-CERAMIC,CHIP;2.2nF,10%,50V,X7R,TP,1608	
	3		1203-000284	IC-POSIFIXED REG.;7806,TO-220,3P,-,PLAS	3	C26	2203-000491	C-CERAMIC,CHIP;2.2nF,10%,50V,X7R,TP,1608	
	3		6003-000333	SCREW-TAPTITE;RH,+2S,M3,L10,ZPC(YEL),SW	3	C5	2203-000491	C-CERAMIC,CHIP;2.2nF,10%,50V,X7R,TP,1608	
	3		AA62-00065A	HEAT SINK;SP,DP,-,-,AA62-00045A,-,-,-	3	C7	2203-000491	C-CERAMIC,CHIP;2.2nF,10%,50V,X7R,TP,1608	
	3		0205-000129	GREASE-SILICON;SC102,JAPAN	3	C8	2203-000491	C-CERAMIC,CHIP;2.2nF,10%,50V,X7R,TP,1608	
	2	L408	AA27-00031A	COIL HORIZ. WIDTH;-,-,140UH,AR 8X20,0.8MM,	3	C9	2203-000491	C-CERAMIC,CHIP;2.2nF,10%,50V,X7R,TP,1608	
△	2	LX801S	AA29-00015A	FILTER LINE NOISE;WS32W8,28-20MH 1.5A,+	3	C20	2203-000552	C-CERAMIC,CHIP;0.02nF,5%,50V,NP0,TP,1608	
	2	L405	AA27-00057A	COIL HORIZ. WIDTH;-,-,10mH,YL-9N 15x27,5 C	3	C6	2203-000659	C-CERAMIC,CHIP;0.27nF,5%,50V,NP0,TP,1608	
△	2	IC803	1203-001697	IC-VOLTAGE REGULATOR;78R08,TO-220,4P,-,P	3	C23	2203-000975	C-CERAMIC,CHIP;47nF,10%,25V,X7R,TP,1608,	
	2	Q404	HA96-00437A	ASSY-H/S;ASSY-H/S;AA62-00076A,IRF620	3	C3	2203-000975	C-CERAMIC,CHIP;47nF,10%,25V,X7R,TP,1608,	
	3		0505-000156	FET-SILICON;IRF620,N,200V,5A,0.8ohm,50W,	3	C11	2203-001052	C-CERAMIC,CHIP;0.56nF,10%,50V,X7R,TP,160	
	3		6003-000333	SCREW-TAPTITE;RH,+2S,M3,L10,ZPC(YEL),SW	3	C14	2203-001052	C-CERAMIC,CHIP;0.56nF,10%,50V,X7R,TP,160	
	3		HA62-00076A	HEAT SINK;AL,100Hz,T1.0,10,40	3	C19	2203-001052	C-CERAMIC,CHIP;0.56nF,10%,50V,X7R,TP,160	
	2	Q402	0505-001116	FET-SILICON;BUZ73A,N,200V,22A,0.6ohm,40W	3	C4	2203-001052	C-CERAMIC,CHIP;0.56nF,10%,50V,X7R,TP,160	
△	2	CY802S	2201-000202	C-CERAMIC,DISC;4.7nF,20%,400V,5U,TP,16x	3	C22	2203-001256	C-CERAMIC,CHIP;0.008nF,0.25pF,50V,NP0,TP	
	2	C407	2301-001338	C-FILM,MPE-PPF;0.68nF,5%,1.6kV,TP,28x7x1	3	C38	2203-001603	C-CERAMIC,CHIP;220nF,10%,16V,X7R,TP,2012	
	2	C405	2306-000330	C-FILM,MPPF;7.7nF,3%,1.6kV,TP,28.5x18.5x	3	C28	2203-002494	C-CERAMIC,CHIP;470nF,10%,16V,X7R,TP,2012	
	2	C426	2301-001185	C-FILM,MPPF;620nF,5%,400V,TP,14.5x26x24,	3	C32	2203-002494	C-CERAMIC,CHIP;470nF,10%,16V,X7R,TP,2012	
	2	IC903	1203-001944	IC-POSIFIXED REG.;78RM33,TO-220,3P,-,PL	3	C34	2203-002494	C-CERAMIC,CHIP;470nF,10%,16V,X7R,TP,2012	
	2	IC202	1203-001944	IC-POSIFIXED REG.;78RM33,TO-220,3P,-,PL	3	C36	2203-002494	C-CERAMIC,CHIP;470nF,10%,16V,X7R,TP,2012	
	2	C806	2401-003031	C-AL;470uF,20%,450V,GPBK,35x45mm,1	3	CE1	2401-000480	C-AL;10uF,20%,50V,GPT,5x11,5	
	2	C820	2401-003076	C-AL;3300uF,20%,50V,WPK,18x35,5mm	3	CE2	2401-000480	C-AL;10uF,20%,50V,GPT,5x11,5	
	2	R807	2006-001083	R-CEMENT;120ohm,5%,5W,CJ,TP,14x10x27mm	3	CE4	2401-000480	C-AL;10uF,20%,50V,GPT,5x11,5	
	2	C423	2306-001017	C-FILM,MPPF;680nF,5%,400V,TP,26x14.5x24mm	3	CE5	2401-000480	C-AL;10uF,20%,50V,GPT,5x11,5	
	2	C406	2303-001015	C-FILM,PPF;5.5nF,5%,1.6kV,TP,29x9.5x17,2	3	CE3	2401-001026	C-AL;3.3uF,20%,50V,GPT,5x11,5	
	2	L808	AA27-10002L	COIL CHOKE;-,-,24uH,K,-,2A,-,24UH-K,10x10m	3	L2	2702-001092	INDUCTOR-RADIAL;2.2uH,10%,6x4mm	
	2	L402	AA27-10004F	COIL CHOKE;-,-,56uH,K,-,2.5A,BK,-,DR12x15,	3	X2	2801-003432	CRYSTAL-UNIT;20.25MHZ,30PPM,28-AAM,13PF,	
△	2	T444S	AA26-00122A	TRANS FBT;1372.7021A,CT29D4,1.22MH,135V,	3	L3	3301-001324	CORE-FERRITE BEAD;AB,150HM,2X1.25X0.9MM,	
△	2	IC201S	HA98-00134B	ASSY-SIPADOSS MODULE;DPK33A,100HZ,SDA94	3	L4	3301-001324	CORE-FERRITE BEAD;AB,150HM,2X1.25X0.9MM,	
	3		AA95-00098A	ASSY ETC-CHROMA BODY;DP,-,KS3A,-,-,100HZ	3	CN64	3711-004778	CONNECTOR-HEADER;NOWALL,64P,2R,2MM,ANGLE	
	4	P1	3711-004782	CONNECTOR-HEADER;NOWALL,32P,1R,1.778MM,S	3	PCB	AA41-00475A	PCB-SIPADOS TOP;CS29A5,FR-4,4L,A,1.6T,18	
	4	P2	3711-004782	CONNECTOR-HEADER;NOWALL,32P,1R,1.778MM,S	2	L403	AA27-00090A	COIL LINEARITY;-,-,3.9uH,DR15x18,11mm,18x4	
	4	PCB	AA41-00411A	PCB-SIPADOS BODY;CS29A5,FR-4,2L,A,1.6T,1	2	CN801	3711-004721	CONNECTOR-HEADER;3WALL,2P,1R,12.5mm,STRA	
	3	IC3	1204-001909	IC-VIDEO PROCESS;DDP3310B-F6,PLCC,68P,-	2	CN802	3711-004720	CONNECTOR-HEADER;3WALL,2P,1R,12.5mm,STRA	
	3	IC1	1204-001789	IC-VIDEO PROCESS;VPC3310D-B3,OFF,80P,787	2		AA95-01553A	ASSY ETC-PCB SVHS BOARD;ALL WITH SVHS,K	
	3	IC2	1204-001858	IC-PICTURE PROCESS;SDA9401,OPF,64P,-,PLA	3	ICS01	1001-001114	IC-VIDEO SWITCH;TEA6425,VIDEO SWITCH ,DI	
	3	JP1	2007-000070	R-CHIP;0ohm,5%,1/16W,DA,TP,1608	3	CNS01	3711-002704	CONNECTOR-HEADER;NOWALL,6P1R,2.5mm,ANGL	
	3	R17	2007-000070	R-CHIP;0ohm,5%,1/16W,DA,TP,1608	3	CNS02	3711-002706	CONNECTOR-HEADER;NOWALL,8P1R,2.5mm,ANGL	
	3	R19	2007-000070	R-CHIP;0ohm,5%,1/16W,DA,TP,1608	3		HA99-500031	ASSY-PCB,VIDEO-S/W(ACI);50Hz,32W8,KS3A,FL	
	3	R7	2007-000070	R-CHIP;0ohm,5%,1/16W,DA,TP,1608	4	CS01	2305-000412	C-FILM,MPEF;470nF,5%,63V,TP,-,5mm	
	3	L1	2007-000070	R-CHIP;0ohm,5%,1/16W,DA,TP,1608	4	CS03	2305-000412	C-FILM,MPEF;470nF,5%,63V,TP,-,5mm	
	3	R10	2007-000084	R-CHIP;4.7kOhm,5%,1/16W,DA,TP,1608	4	CS04	2305-000412	C-FILM,MPEF;470nF,5%,63V,TP,-,5mm	
	3	R1	2007-000090	R-CHIP;10KOHM,5%,1/16W,DA,TP,1608	4	CS05	2305-000412	C-FILM,MPEF;470nF,5%,63V,TP,-,5mm	
	3	R2	2007-000090	R-CHIP;10KOHM,5%,1/16W,DA,TP,1608	4	CS06	2305-000412	C-FILM,MPEF;470nF,5%,63V,TP,-,5mm	
	3	R3	2007-000090	R-CHIP;10KOHM,5%,1/16W,DA,TP,1608	4	CS02	2305-000412	C-FILM,MPEF;470nF,5%,63V,TP,-,5mm	
	3	R4	2007-000090	R-CHIP;10KOHM,5%,1/16W,DA,TP,1608	4	CS07	2401-002009	C-AL;100uF,20%,16V,GPT,6.3x7,5	
	3	R5	2007-000090	R-CHIP;10KOHM,5%,1/16W,DA,TP,1608	4	JS01	3812-000219	WIRE-NO SHEATH CU;TCWA,300V,52mm(TAPING)	
	3	R13	2007-001166	R-CHIP;75OHM,5%,1/10W,DA,TP,2012	4	JS02	3812-000219	WIRE-NO SHEATH CU;TCWA,300V,52mm(TAPING)	
	3	R14	2007-001166	R-CHIP;75OHM,5%,1/10W,DA,TP,2012	4	JS03	3812-000219	WIRE-NO SHEATH CU;TCWA,300V,52mm(TAPING)	
	3	R15	2007-001166	R-CHIP;75OHM,5%,1/10W,DA,TP,2012	4	JS04	3812-000219	WIRE-NO SHEATH CU;TCWA,300V,52mm(TAPING)	
	3	R6	2007-001167	R-CHIP;75ohm,5%,1/16W,DA,TP,1608	4	RS08	3812-000219	WIRE-NO SHEATH CU;TCWA,300V,52mm(TAPING)	
	3	R9	2007-001167	R-CHIP;75ohm,5%,1/16W,DA,TP,1608	4	RS09	3812-000219	WIRE-NO SHEATH CU;TCWA,300V,52mm(TAPING)	
	3	CD3	2203-000041	C-CERAMIC,CHIP;0.01nF,0.25pF,50V,NP0,TP,	4	QS01	0501-000389	TR-SMALL SIGNAL;KSC815,NPN,400mW,TO-92,T	
	3	CD4	2203-000041	C-CERAMIC,CHIP;0.01nF,0.25pF,50V,NP0,TP,	4	QS02	0501-000389	TR-SMALL SIGNAL;KSC815,NPN,400mW,TO-92,T	
	3	C21	2203-000181	C-CERAMIC,CHIP;100nF,+80-20%,25V,Y5V,TP,	4	QS03	0501-000389	TR-SMALL SIGNAL;KSC815,NPN,400mW,TO-92,T	
	3	C39	2203-000181	C-CERAMIC,CHIP;100nF,+80-20%,25V,Y5V,TP,	4	RS01	2001-000281	R-CARBON;100OHM,5%,1/8W,AA,TP,1.8X3.2MM	
	3	C42	2203-000181	C-CERAMIC,CHIP;100nF,+80-20%,25V,Y5V,TP,	4	RS03	2001-000429	R-CARBON;1KOHM,5%,1/8W,AA,TP,1.8X3.2MM	
	3	C43	2203-000181	C-CERAMIC,CHIP;100nF,+80-20%,25V,Y5V,TP,	4	RS05	2001-000429	R-CARBON;1KOHM,5%,1/8W,AA,TP,1.8X3.2MM	
	3	C44	2203-000181	C-CERAMIC,CHIP;100nF,+80-20%,25V,Y5V,TP,	4	RS07	2001-000429	R-CARBON;1KOHM,5%,1/8W,AA,TP,1.8X3.2MM	
	3	C51	2203-000181	C-CERAMIC,CHIP;100nF,+80-20%,25V,Y5V,TP,	4	RS10	2001-000429	R-CARBON;1KOHM,5%,1/8W,AA,TP,1.8X3.2MM	
	3	C52	2203-000181	C-CERAMIC,CHIP;100nF,+80-20%,25V,Y5V,TP,	4	RS11	2001-000429	R-CARBON;1KOHM,5%,1/8W,AA,TP,1.8X3.2MM	
	3	C53	2203-000181	C-CERAMIC,CHIP;100nF,+80-20%,25V,Y5V,TP,	4	RS02	2001-000734	R-CARBON;4.7KOHM,5%,1/8W,AA,TP,1.8X3.2M	
	3	C54	2203-000181	C-CERAMIC,CHIP;100nF,+80-20%,25V,Y5V,TP,	4	RS04	2001-000734	R-CARBON;4.7KOHM,5%,1/8W,AA,TP,1.8X3.2M	
	3	C55	2203-000181	C-CERAMIC,CHIP;100nF,+80-20%,25V,Y5V,TP,	4	RS06	2001-000734	R-CARBON;4.7KOHM,5%,1/8W,AA,TP,1.8X3.2M	
	3	C56	2203-000181	C-CERAMIC,CHIP;100nF,+80-20%,25V,Y5V,TP,	4	LS01	2701-000114	INDUCTOR-AXIAL;10uH,10%,2.5x3.4mm	
	3	C57	2203-000181	C-CERAMIC,CHIP;100nF,+80-20%,25V,Y5V,TP,	4	PCB	AA41-00153E	PCB-VIDEO SWITCH;CS29A6,FR-1,1L,E,1.6T,2	
	3	C27	2203-000236	C-CERAMIC,CHIP;0.1nF,5%,50V,NP0,TP,1608	4	CS08	2305-000665	C-FILM,MPEF;100nF,5%,63V,TP,7.5x4.0x5.0m	

Level	Loc. No.	Code No.	Description ; Specification	Remark
4	DZS01	0403-000508	DIODE-ZENER;MTZJ5.6B,5.6V,5.45-5.73V,500	
4	DZS02	0403-000508	DIODE-ZENER;MTZJ5.6B,5.6V,5.45-5.73V,500	
4	RS12	2001-000969	R-CARBON;75OHM,5%,1/8W,AA,TP,1.8X3.2MM	
4	RS13	2001-000969	R-CARBON;75OHM,5%,1/8W,AA,TP,1.8X3.2MM	
3		HA98-600012	ASSY-SUB,PART;PCB-WIDE,S51A,WIDE	
4		0202-000008	SOLDER-WIRE;S63S-W3.0,S63S,D3,63Sn/37Pb,	
4		0202-000187	SOLDER-WIRE FLUX;-RS60S,D1.2,63Sn/37Pb	
4		0204-001024	FLUX;DF-98TVS,-20%,-	
4		0204-000442	SOLVENT;1M-1000,C3H7OH,96,-	
2	CN701A	AA39-200306A	LEAD CONNECTOR-ASSY;KS3A,UL2547#26,UL/CS	
2	LH01	AA26-90002C	TRANS-DUMMY;-----EER2	
2	LH02	AA27-40003L	COIL HORIZ. WIDTH;-1.0mH,DR14x20,2UEW0.	
2	C420	2306-000188	C-FILM,MPPF;330nF,5%,400V,TP,26x19.5x11,	
2		AA39-20010B	LEAD CONNECTOR-ASSY;1PYFH800-01,S,500,	

### ASSY SUB-PCB CONTROL

1		AA95-01752B	ASSY SUB-PCB CONTROL;29M6,KS3A,AA95-0140	
2		0202-000008	SOLDER-WIRE;S63S-W3.0,S63S,D3,63Sn/37Pb,	
2		0202-000187	SOLDER-WIRE FLUX;-RS60S,D1.2,63Sn/37Pb	
2		0204-000442	SOLVENT;1M-1000,C3H7OH,96,-	
2		0204-001024	FLUX;DF-98TVS,-20%,-	
2	LDY01	0601-000198	LED;ROUND,RED/GRN,5.0mm,630/565nm	
2	SW811S	3403-001107	SWITCH-PUSH;250V,5A,DPST,-,KDC-A04	
2	PD811S	3711-004696	CONNECTOR-HEADER;NOWALL,3P,1R,10/5mm,ANG	
2	PD812S	3711-004697	CONNECTOR-HEADER;NOWALL,3P,1R,5/10mm,ANG	
2		6001-000057	SCREW-MACHINE;RH,+,M3,L6,ZPC(BLK),SWRCH1	
2		6003-000333	SCREW-TAPITTE;RH,+,2S,M3,L10,ZPC(YEL),SW	
2	CNY02	AA39-20005B	LEAD CONNECTOR-ASSY;3P,YBNH025-03,67096	
2	CNY01	AA39-20069D	LEAD CONNECTOR-ASSY;5P,YBNH025-05,67096	
2	CN811	AA39-20179A	LEAD CONNECTOR-ASSY;3(2)P,YFH800-150,S,	
2	RMV01	AA32-00012A	MODULE REMOCON;ORC-50HF2,38KHZ,940NM,MES	
2		AA61-00530B	BRACKET-MASTER;25M6,29M6,SECC	
2		AA63-10002A	BAND-TIE;NYLON66 V2,L1100,NTR	
2	DY01	0401-000005	DIODE-SWITCHING;1N4148,100V,200mA,DO-35,	
2	DY02	0401-000005	DIODE-SWITCHING;1N4148,100V,200mA,DO-35,	
2	DZY01	0403-000508	DIODE-ZENER;MTZJ5.6B,5.6V,5.45-5.73V,500	
2	DZY02	0403-000508	DIODE-ZENER;MTZJ5.6B,5.6V,5.45-5.73V,500	
2	RY03	2001-000007	R-CARBON;3KOHM,5%,1/8W,AA,TP,1.8X3.2MM	
2	RY05	2001-000009	R-CARBON;2KOHM,5%,1/8W,AA,TP,1.8X3.2MM	
2	RY01	2001-000020	R-CARBON(S);220HM,5%,1/2W,AA,TP,2.4X6.4M	
2	RY02	2001-000577	R-CARBON;2KOHM,5%,1/8W,AA,TP,1.8X3.2MM	
2	RY04	2001-000878	R-CARBON;6.2KOHM,5%,1/8W,AA,TP,1.8X3.2M	
2	CY01	2401-002144	C-AL;47uF,20%,16V,GP,TP5x11.5	
2	LY01	2701-000114	INDUCTOR-AXIAL;10uH,10%,2.5x3.4mm	
2	SWY02	3404-000282	SWITCH-TACT;12Vdc,50mA,120gf,6x6x5mm,SPS	
2	SWY03	3404-000282	SWITCH-TACT;12Vdc,50mA,120gf,6x6x5mm,SPS	
2	SWY04	3404-000282	SWITCH-TACT;12Vdc,50mA,120gf,6x6x5mm,SPS	
2	SWY05	3404-000282	SWITCH-TACT;12Vdc,50mA,120gf,6x6x5mm,SPS	
2	SWY06	3404-000282	SWITCH-TACT;12Vdc,50mA,120gf,6x6x5mm,SPS	
2	PCB	AA41-00552A	PCB-CONTROL;29M6/25M6,CEM-1,1LA,1.6T,24	
2	EL01	AA60-40011A	K EYELET;ID2.0,OD2.8,BST	
2	EL02	AA60-40011A	K EYELET;ID2.0,OD2.8,BST	
2	EL03	AA60-40011A	K EYELET;ID2.0,OD2.8,BST	
2	EL04	AA60-40011A	K EYELET;ID2.0,OD2.8,BST	

### ASSY PCB CRT

1		AA95-01538A	ASSY PCB CRT;KS3A,32,W6-W7,100HZ	
2		AA63-10002A	BAND-TIE;NYLON66 V2,L1100,NTR	
2	CN501A	3711-002641	CONNECTOR-HEADER;BOX,10P,1R,2.54mm,STRAI	
2	CN501A	AA39-00225A	LEAD CONNECTOR-ASSY;10P;67096-010,S,600	
2	CN502A	3711-002646	CONNECTOR-HEADER;BOX,7P,1R,2.5mm,STRAIGH	
2	CN502E	AA39-20029K	LEAD CONNECTOR-ASSY;7P;67096-007,S,400,	
2	CNF01	3711-002642	CONNECTOR-HEADER;BOX,3P,1R,2.5mm,STRAIGH	
2	CNG01	3711-002643	CONNECTOR-HEADER;BOX,4P,1R,2.5mm,STRAIGH	
2	IC501	HA96-50151B	ASSY-H/S;-AMP,AA61-10060A,TA6111Q,-	
2	IC502	HA96-50151B	ASSY-H/S;-AMP,AA61-10060A,TA6111Q,-	
2	IC503	HA96-50151B	ASSY-H/S;-AMP,AA61-10060A,TA6111Q,-	
3		1201-001131	IC-VIDEO AMP;6111,SIP;9P,-,SINGLE,-,PLAS	
3		6001-000057	SCREW-MACHINE;RH,+,M3,L6,ZPC(BLK),SWRCH1	

Level	Loc. No.	Code No.	Description ; Specification	Remark
3		6021-000154	NUT-HEXAGON;2C,M3,ZPC(YEL),SM20C	
3		AA61-10060A	BRACKET-TR;W3220,CUS-1 1/2H,TO.5,-,-,-	
2	ICG01	1201-000191	IC-OP AMP;4558,DIP8P;300MLDUAL,20V,mV	
2	QG03	0502-001007	TR-POWER;KSC2073-H2,NPN,25W,TO-220,ST,6	
2	VA999	3704-001111	SOCKET-CRT;8P;15.24P,35.5PI,Nl,-	
2		HA68-02176A	LABEL;LABEL	
2	C502	2305-000704	C-FILM,MPEF;100nF,5%,250V,TP,16.5x10.3x5	
2	C505	2305-000704	C-FILM,MPEF;100nF,5%,250V,TP,16.5x10.3x5	
2	C508	2305-000704	C-FILM,MPEF;100nF,5%,250V,TP,16.5x10.3x5	
2	CF07	2305-000704	C-FILM,MPEF;100nF,5%,250V,TP,16.5x10.3x5	
2	C503	2201-000599	C-CERAMIC,DISC;0.56nF,10%,500V,Y5P,TP,5	
2	C506	2201-000599	C-CERAMIC,DISC;0.56nF,10%,500V,Y5P,TP,5	
2	C509	2201-000599	C-CERAMIC,DISC;0.56nF,10%,500V,Y5P,TP,5	
2	C511	2401-001232	C-AL;4.7uF,20%,250V,GP,TP,10x12.5,5	
2	C512	2401-000914	C-AL;22uF,20%,16V,GP,TP,5x11.5	
2	C515	2401-000914	C-AL;22uF,20%,16V,GP,TP,5x11.5	
2	C526	2401-000914	C-AL;22uF,20%,16V,GP,TP,5x11.5	
2	C514	2401-000430	C-AL;10uF,20%,250V,GP,TP,10x16mm,5m	
2	C518	2301-000224	C-FILM,PEF;22nF,5%,50V,TP,7.4x3.9x13mm,5	
2	C519	2301-000224	C-FILM,PEF;22nF,5%,50V,TP,7.4x3.9x13mm,5	
2	C520	2301-000224	C-FILM,PEF;22nF,5%,50V,TP,7.4x3.9x13mm,5	
2	C521	2301-000224	C-FILM,PEF;22nF,5%,50V,TP,7.4x3.9x13mm,5	
2	C522	2301-000224	C-FILM,PEF;22nF,5%,50V,TP,7.4x3.9x13mm,5	
2	C523	2301-000224	C-FILM,PEF;22nF,5%,50V,TP,7.4x3.9x13mm,5	
2	CF01	2201-000180	C-CERAMIC,DISC;10nF,10%,50V,Y5V,TP,7x3,5	
2	CF02	2301-000192	C-FILM,PEF;1nF,5%,50V,TP,5.3x10mm,5mm	
2	C516	2301-000192	C-FILM,PEF;1nF,5%,50V,TP,5.3x10mm,5mm	
2	CF03	2201-000376	C-CERAMIC,DISC;0.22nF,5%,50V,SL,TP,6.3x3	
2	CF04	2201-000653	C-CERAMIC,DISC;0.068nF,5%,50V,SL,TP,5x3,	
2	CF05	2301-000261	C-FILM,PEF;4.7nF,5%,100V,TP,10.5x12.5x6	
2	CF06	2201-000516	C-CERAMIC,DISC;4.7nF,+100-0%,500V,Y5U,TP	
2	CF08	2201-000604	C-CERAMIC,DISC;0.056nF,+100-0%,500V,SL,T	
2	CF10	2401-001840	C-AL;100uF,20%,16V,GP,TP,6.3x11.5	
2	CF12	2401-001840	C-AL;100uF,20%,16V,GP,TP,6.3x11.5	
2	CF14	2401-000832	C-AL;220uF,20%,25V,GP,TP,8x11.5,5	
2	CG01	2401-000832	C-AL;220uF,20%,25V,GP,TP,8x11.5,5	
2	CG04	2401-000832	C-AL;220uF,20%,25V,GP,TP,8x11.5,5	
2	CG02	2305-000149	C-FILM,MPEF;100nF,5%,100V,TP,12x12.5x6.5	
2	CG03	2401-000493	C-AL;10uF,20%,50V,LZ,TP,5x11mm,5mm	
2	D502	0402-000132	DIODE-RECTIFIER;1N4004,400V,1A,DO-41,TP	
2	D507	0402-001105	DIODE-RECTIFIER;ERB43-04SV1,400V,1.0A,-,	
2	D508	0402-001105	DIODE-RECTIFIER;ERB43-04SV1,400V,1.0A,-,	
2	D509	0402-001105	DIODE-RECTIFIER;ERB43-04SV1,400V,1.0A,-,	
2	D510	0402-001105	DIODE-RECTIFIER;ERB43-04SV1,400V,1.0A,-,	
2	D511	0402-001105	DIODE-RECTIFIER;ERB43-04SV1,400V,1.0A,-,	
2	D512	0402-001105	DIODE-RECTIFIER;ERB43-04SV1,400V,1.0A,-,	
2	DF02	0402-001105	DIODE-RECTIFIER;ERB43-04SV1,400V,1.0A,-,	
2	DF03	0402-001105	DIODE-RECTIFIER;ERB43-04SV1,400V,1.0A,-,	
2	DF01	0401-000005	DIODE-SWITCHING;1N4148,100V,200mA,DO-35,	
2	DF04	0401-000005	DIODE-SWITCHING;1N4148,100V,200mA,DO-35,	
2	DG01	0401-000005	DIODE-SWITCHING;1N4148,100V,200mA,DO-35,	
2	DZ503	0403-001211	DIODE-ZENER;MTZJ12B,11.44-12.03V,500MW,D	
2	KEZ1	0403-001211	DIODE-ZENER;MTZJ12B,11.44-12.03V,500MW,D	
2	DZF01	0403-001039	DIODE-ZENER;MA2560,56V,52-60V,1W,DO-41,T	
2	DZF02	0403-001039	DIODE-ZENER;MA2560,56V,52-60V,1W,DO-41,T	
2	EL83	AA60-40011B	K EYELET;ID2.2,OD3.2,BSP	
2	EL84	AA60-40011B	K EYELET;ID2.2,OD3.2,BSP	
2	EL85	AA60-40011B	K EYELET;ID2.2,OD3.2,BSP	
2	EL86	AA60-40011B	K EYELET;ID2.2,OD3.2,BSP	
2	EL87	AA60-40011B	K EYELET;ID2.2,OD3.2,BSP	
2	EL88	AA60-40011B	K EYELET;ID2.2,OD3.2,BSP	
2	EL89	AA60-40011B	K EYELET;ID2.2,OD3.2,BSP	
2	EL91	AA60-40011B	K EYELET;ID2.2,OD3.2,BSP	
2	EL92	AA60-40011B	K EYELET;ID2.2,OD3.2,BSP	
2	EL93	AA60-40011B	K EYELET;ID2.2,OD3.2,BSP	
2	EL94	AA60-40011B	K EYELET;ID2.2,OD3.2,BSP	
2	GT504	AA60-40014A	PIN-GT,ASSY;AUTO	
2	GT505	AA60-40014A	PIN-GT,ASSY;AUTO	
2	GT507	AA60-40014A	PIN-GT,ASSY;AUTO	
2	GT508	AA60-40014A	PIN-GT,ASSY;AUTO	
2	J501	3812-000219	WIRE-NO SHEATH CU;TCWA,300V,52mm(TAPING)	
2	J503	3812-000219	WIRE-NO SHEATH CU;TCWA,300V,52mm(TAPING)	
2	J505	3812-000219	WIRE-NO SHEATH CU;TCWA,300V,52mm(TAPING)	
2	J506	3812-000219	WIRE-NO SHEATH CU;TCWA,300V,52mm(TAPING)	
2	J507	3812-000219	WIRE-NO SHEATH CU;TCWA,300V,52mm(TAPING)	
2	J508	3812-000219	WIRE-NO SHEATH CU;TCWA,300V,52mm(TAPING)	
2	J509	3812-000219	WIRE-NO SHEATH CU;TCWA,300V,52mm(TAPING)	

Level	Loc. No.	Code No.	Description ; Specification	Remark	Level	Loc. No.	Code No.	Description ; Specification	Remark
2	J510	3812-000219	WIRE-NO SHEATH CU;TCWA,300V,52mm(TAPING)		2	RF24	2003-000746	R-METAL OXIDE(S);56ohm,5%,2W,AF,TP,4x12m	
2	J511	3812-000219	WIRE-NO SHEATH CU;TCWA,300V,52mm(TAPING)		2	RF25	2003-002009	R-METAL OXIDE(S);390ohm,5%,2W,AF,TP,3.9x	
2	JF01	3812-000219	WIRE-NO SHEATH CU;TCWA,300V,52mm(TAPING)		2	RG01	2004-004015	R-METAL(S);9.1Kohm,1%,1/2W,AA,TP,2.5x6.5	
2	JF02	3812-000219	WIRE-NO SHEATH CU;TCWA,300V,52mm(TAPING)		2	RG02	2004-002022	R-METAL(S);51Kohm,1%,1/2W,AA,TP,2.4x6.4m	
2	JF03	3812-000219	WIRE-NO SHEATH CU;TCWA,300V,52mm(TAPING)		2	RG04	2004-002022	R-METAL(S);51Kohm,1%,1/2W,AA,TP,2.4x6.4m	
2	JF04	3812-000219	WIRE-NO SHEATH CU;TCWA,300V,52mm(TAPING)		2	RG03	2001-001121	R-CARBON(S);3.6KOHM,5%,1/2W,AA,TP,2.4X6.4	
2	JF05	3812-000219	WIRE-NO SHEATH CU;TCWA,300V,52mm(TAPING)		2	RG05	2001-001163	R-CARBON(S);5600HM,5%,1/2W,AA,TP,2.4X6.4	
2	JG01	3812-000219	WIRE-NO SHEATH CU;TCWA,300V,52mm(TAPING)		2	RG08	2001-001163	R-CARBON(S);5600HM,5%,1/2W,AA,TP,2.4X6.4	
2	J512	3812-000219	WIRE-NO SHEATH CU;TCWA,300V,52mm(TAPING)		2	L503	2901-000297	FILTER-EMI ON BOARD;-3A,-,3.5x5,TP-	
2	J513	3812-000219	WIRE-NO SHEATH CU;TCWA,300V,52mm(TAPING)		2	L504	2901-000297	FILTER-EMI ON BOARD;-3A,-,3.5x5,TP-	
2	J514	3812-000219	WIRE-NO SHEATH CU;TCWA,300V,52mm(TAPING)		2	LF04	2901-000297	FILTER-EMI ON BOARD;-3A,-,3.5x5,TP-	
2	J515	3812-000219	WIRE-NO SHEATH CU;TCWA,300V,52mm(TAPING)		2	LF05	2901-000297	FILTER-EMI ON BOARD;-3A,-,3.5x5,TP-	
2	J516	3812-000219	WIRE-NO SHEATH CU;TCWA,300V,52mm(TAPING)		2	R502	2001-001093	R-CARBON(S);2.2KOHM,5%,1/2W,AA,TP,2.4X6.	
2	J517	3812-000219	WIRE-NO SHEATH CU;TCWA,300V,52mm(TAPING)		2	R507	2001-001093	R-CARBON(S);2.2KOHM,5%,1/2W,AA,TP,2.4X6.	
2	J518	3812-000219	WIRE-NO SHEATH CU;TCWA,300V,52mm(TAPING)		2	R512	2001-001093	R-CARBON(S);2.2KOHM,5%,1/2W,AA,TP,2.4X6.	
2	J519	3812-000219	WIRE-NO SHEATH CU;TCWA,300V,52mm(TAPING)		2	R503	2001-000085	R-CARBON(S);100KOHM,5%,1/2W,AA,TP,2.4X6.	
2	J520	3812-000219	WIRE-NO SHEATH CU;TCWA,300V,52mm(TAPING)		2	R508	2001-000085	R-CARBON(S);100KOHM,5%,1/2W,AA,TP,2.4X6.	
2	J524	3812-000219	WIRE-NO SHEATH CU;TCWA,300V,52mm(TAPING)		2	R513	2001-000085	R-CARBON(S);100KOHM,5%,1/2W,AA,TP,2.4X6.	
2	J526	3812-000219	WIRE-NO SHEATH CU;TCWA,300V,52mm(TAPING)		2	R526	2004-000500	R-METAL;2.7Kohm,1%,1/8W,AA,TP,1.8x3.2m	
2	J527	3812-000219	WIRE-NO SHEATH CU;TCWA,300V,52mm(TAPING)		2	R527	2004-000433	R-METAL;1Kohm,1%,1/8W,AA,TP,1.8x3.2mm	
2	J528	3812-000219	WIRE-NO SHEATH CU;TCWA,300V,52mm(TAPING)		2	R518	2003-002171	R-METAL OXIDE(S);150ohm,5%,2W,AG,TP,3.9x	
2	JF06	3812-000219	WIRE-NO SHEATH CU;TCWA,300V,52mm(TAPING)		2	R542	2001-000832	R-CARBON;5100HM,5%,1/8W,AA,TP,1.8X3.2MM	
2	JF07	3812-000219	WIRE-NO SHEATH CU;TCWA,300V,52mm(TAPING)		2	R543	2001-000832	R-CARBON;5100HM,5%,1/8W,AA,TP,1.8X3.2MM	
2	J529	3812-000219	WIRE-NO SHEATH CU;TCWA,300V,52mm(TAPING)		2	R544	2001-000832	R-CARBON;5100HM,5%,1/8W,AA,TP,1.8X3.2MM	
2	J530	3812-000219	WIRE-NO SHEATH CU;TCWA,300V,52mm(TAPING)		2	R546	2001-000832	R-CARBON;5100HM,5%,1/8W,AA,TP,1.8X3.2MM	
2	J531	3812-000219	WIRE-NO SHEATH CU;TCWA,300V,52mm(TAPING)		2	L501	2701-000178	INDUCTOR-AXIAL;33uH,10%,3x7mm	
2	R504	3812-000219	WIRE-NO SHEATH CU;TCWA,300V,52mm(TAPING)		2	R521	2001-000660	R-CARBON;33KOHM,5%,1/8W,AA,TP,1.8X3.2MM	
2	R509	3812-000219	WIRE-NO SHEATH CU;TCWA,300V,52mm(TAPING)		2	DZG501	0403-001328	DIODE-ZENER;MTZ,J2ZA,20.15-21.20V,500mW,D	
2	R539	3812-000219	WIRE-NO SHEATH CU;TCWA,300V,52mm(TAPING)		2	L507	2701-000215	INDUCTOR-AXIAL;8.2uH,10%,2.5x3.4mm	
2	J522	3812-000219	WIRE-NO SHEATH CU;TCWA,300V,52mm(TAPING)		2	SG501	AA27-00084A	COIL;-S-23,-,-----,S-23,5000Mohm	
2	LF02	2701-000112	INDUCTOR-AXIAL;100uH,10%,3x7mm		2	SG502	AA27-00084A	COIL;-S-23,-,-----,S-23,5000Mohm	
2	LF01	3301-000287	CORE-FERRITE BEAD;AA,3.5x1.0x6.0mm,1500,		2	SG503	AA27-00084A	COIL;-S-23,-,-----,S-23,5000Mohm	
2	L505	3301-000287	CORE-FERRITE BEAD;AA,3.5x1.0x6.0mm,1500,		2	SG504	AA27-00084A	COIL;-S-23,-,-----,S-23,5000Mohm	
2	L506	3301-000287	CORE-FERRITE BEAD;AA,3.5x1.0x6.0mm,1500,		2	SG505	AA27-00084A	COIL;-S-23,-,-----,S-23,5000Mohm	
2	LF03	3301-000287	CORE-FERRITE BEAD;AA,3.5x1.0x6.0mm,1500,		2	R548	2001-001153	R-CARBON(S);470HM,5%,1/2W,AA,TP,2.4X6.4M	
2	PCB	AA41-00210D	PCB-CRT;CS29A6,FR-1,1,L,D,1.6T,330x245,KS		2	C527	2301-000188	C-FILM,PEF;1nF,5%,100V,TP,10.5x12.5x6.5	
2	Q502	0501-000283	TR-SMALL SIGNAL;KSA539,PNP,400mW,TO-92,T		2		HA98-00054A	ASSY SUB PART;ASSY SUB PART;K33A,PCB,CRT	
2	QG01	0501-000283	TR-SMALL SIGNAL;KSA539,PNP,400mW,TO-92,T		3		0202-000008	SOLDER-WIRE;S63S-W3.0,S63S,D3,63Sn/37Pb,	
2	Q503	0501-000283	TR-SMALL SIGNAL;KSA539,PNP,400mW,TO-92,T		3		0202-000187	SOLDER-WIRE FLUX;-RS60S,D1.2,63Sn/37Pb	
2	Q504	0501-000283	TR-SMALL SIGNAL;KSA539,PNP,400mW,TO-92,T		3		0204-000442	SOLVENT;1M-1000,C3H7OH,96,-	
2	QF01	0501-000389	TR-SMALL SIGNAL;KSC815,NPN,400mW,TO-92,T		3		0204-001024	FLUX;DF-98TVS,-,20%,-	
2	QF02	0501-000389	TR-SMALL SIGNAL;KSC815,NPN,400mW,TO-92,T		2	QF04	HA96-50149A	ASSY-H/S;-AA62-30013A,2ZSC344,-	
2	QF03	0501-000369	TR-SMALL SIGNAL;KSC2331-Y,NPN,1000mW,TO-		3		0502-000153	TR-POWER;2ZSC344-D,NPN,1.2W,TO-220,-,60	
2	RF10	2001-000241	R-CARBON;1.5KOHM,5%,1/8W,AA,TP,1.8X3.2M		3	SCR09	6003-000333	SCREW-TAPTITE;RH,-,2S,M3,L10,ZPC(YEL),SW	
2	RF11	2001-000241	R-CARBON;1.5KOHM,5%,1/8W,AA,TP,1.8X3.2M		3	H/S09	AA62-30013A	HEAT SINK-ES;-A6063 EXTR,-,45(21) T02	
2	R505	2002-001017	R-COMPOSITION;1Kohm,10%,1/2W,AA,TP,3.7x9		2	QF05	HA96-50149B	ASSY-H/S;-TR,AA62-30013A,2SA1011,-	
2	R510	2002-001017	R-COMPOSITION;1Kohm,10%,1/2W,AA,TP,3.7x9		3	QV10	0502-000131	TR-POWER;2SA1011-D,NPN,1.2W,TO-220,-,60	
2	R515	2002-001017	R-COMPOSITION;1Kohm,10%,1/2W,AA,TP,3.7x9		3	SCR10	6003-000333	SCREW-TAPTITE;RH,+2S,M3,L10,ZPC(YEL),SW	
2	R517	2001-001062	R-CARBON(S);10MOHM,5%,1/2W,AA,TP,2.4X6.4		3	H/S10	AA62-30013A	HEAT SINK-ES;-A6063 EXTR,-,45(21) T02	
2	RF18	2003-000458	R-METAL OXIDE(S);100ohm,5%,2W,AF,TP,4x12		2	C510	2401-001525	C-AL;47uF,20%,250V,GP,BK,16x25mm,7.	
2	R519	2002-001009	R-COMPOSITION;2.7Kohm,10%,1/2W,AA,TP,3.7		2	R523	2008-000267	R-FUSIBLE(S);2.4ohm,5%,2W,AA,TP,3.9x10mm	
2	R501	2001-000429	R-CARBON;1KOHM,5%,1/8W,AA,TP,1.8X3.2MM		2	CF11	2401-000927	C-AL;22uF,20%,250V,GP,TP,13x20.5	
2	R506	2001-000429	R-CARBON;1KOHM,5%,1/8W,AA,TP,1.8X3.2MM		2	JA501	3722-001503	JACK-PIN;1P,1PI,NL,RED,SCR-JACK	
2	R511	2001-000429	R-CARBON;1KOHM,5%,1/8W,AA,TP,1.8X3.2MM		2	CNF01	AA39-20033C	LEAD CONNECTOR-ASSY;32P;P67096-003,S,2	
2	RF02	2001-000734	R-CARBON;4.7KOHM,5%,1/8W,AA,TP,1.8X3.2M		2	QG02	0502-000244	TR-POWER;KSA940,PNP;1.5W,TO-220,-,40-14	
2	RF03	2001-000362	R-CARBON;1500HM,5%,1/8W,AA,TP,1.8X3.2MM		2	C513	2201-000723	C-CERAMIC,DISC;4.7nF,20%,3KV,Y5U,TP,16x5	
2	RF04	2001-000449	R-CARBON;2.2KOHM,5%,1/8W,AA,TP,1.8X3.2M		2	C532	2306-000188	C-FILM,MPPF;330nF,5%,400V,TP,26x19.5x11	
2	R522	2001-000449	R-CARBON;2.2KOHM,5%,1/8W,AA,TP,1.8X3.2M		2	GT506	AA39-20010D	LEAD CONNECTOR-ASSY;1P;YFH800-01,S,400,	
2	RF05	2001-000522	R-CARBON;22KOHM,5%,1/8W,AA,TP,1.8X3.2MM						
2	RF06	2001-000989	R-CARBON;820KOHM,5%,1/8W,AA,TP,1.8X3.2M						
2	RF07	2004-001989	R-METAL;620ohm,5%,1/8W,AA,TP,1.8x3.2mm						
2	RF08	2001-000313	R-CARBON;11KOHM,5%,1/8W,AA,TP,1.8X3.2MM						
2	RF09	2001-000221	R-CARBON;1.2KOHM,5%,1/8W,AA,TP,1.8X3.2M						
2	RF12	2001-000221	R-CARBON;1.2KOHM,5%,1/8W,AA,TP,1.8X3.2M						
2	RF13	2001-001179	R-CARBON(S);68KOHM,5%,1/2W,AA,TP,2.4X6.4						
2	RF16	2001-001179	R-CARBON(S);68KOHM,5%,1/2W,AA,TP,2.4X6.4						
2	RF14	2001-001071	R-CARBON(S);12KOHM,5%,1/2W,AA,TP,2.4X6.4						
2	RF15	2001-001100	R-CARBON(S);2.7OHM,5%,1/2W,AA,TP,2.4X6.4						
2	RF17	2001-001100	R-CARBON(S);2.7OHM,5%,1/2W,AA,TP,2.4X6.4						
2	RG06	2001-001100	R-CARBON(S);2.7OHM,5%,1/2W,AA,TP,2.4X6.4						
2	RG07	2001-001100	R-CARBON(S);2.7OHM,5%,1/2W,AA,TP,2.4X6.4						
2	RF19	2003-001023	R-METAL OXIDE(S);120ohm,5%,2W,AF,TP,3.9x						
2	RF20	2003-002214	R-METAL OXIDE(S);680ohm,5%,2W,AG,TP,3.9x						
2	RF21	2003-002214	R-METAL OXIDE(S);680ohm,5%,2W,AG,TP,3.9x						
2	RF22	2003-002214	R-METAL OXIDE(S);680ohm,5%,2W,AG,TP,3.9x						
2	RF23	2003-000746	R-METAL OXIDE(S);56ohm,5%,2W,AF,TP,4x12m						
2					1	AA95-01513A	ASSY ETC-PCB A/V BOARD;29K8,K33A,100HZ		
2					2	JH701	3722-000143	JACK-PHONE;1P(VER),3.4PI,AG,BLK,NO	
2					2	JA701	3722-001031	JACK-PIN;3P3.6mm,#18,AJ	
2					2	JS701	3722-001163	JACK-VHS;4P;12mm,AJ,BLK,N	
2					2	CN704	AA39-00070A	LEAD CONNECTOR-ASSY;4P;YBNH250-04,35184	
2					2	CN705	AA39-20009E	LEAD CONNECTOR-ASSY;1P;YFH800-01,600,16	
2					2	CN701	AA39-20068G	LEAD CONNECTOR-ASSY;8PYBNH025-08,67096	
2					2	CN703	AA39-20069A	LEAD CONNECTOR-ASSY;5PYBNH025-05,67096	
2					2	CN702	AA39-20070J	LEAD CONNECTOR-ASSY;7PYBNH250-07,67096	
2					2	AA63-10002A	BAND-TIE,NYLON66 V2,L100,NTR		
2					2	AA98-00246A	ASSY SUB PART;S51A,CONTROL WIDE		
2					3	0202-000008	SOLDER-WIRE;S63S-W3.0,S63S,D3,63Sn/37Pb,		
2					3	0202-000187	SOLDER-WIRE FLUX;-RS60S,D1.2,63Sn/37Pb		

**ASSY ETC-PCB A/V BOARD**

Level	Loc. No.	Code No.	Description ; Specification	Remark
3		0204-001024	FLUX;DF-98TVS,-,20%,-	
3		0204-000442	SOLVENT;1M-1000.C3H7OH,96,-	
2	R701	2001-000028	R-CARBON(S);1000HM,5%,1/2W,AA,TP2.4X6.4	
2	R702	2001-000028	R-CARBON(S);1000HM,5%,1/2W,AA,TP2.4X6.4	
2	C701	2202-000121	C-CERAMIC,MLC-AXIAL;100pF;10%,50V,Y5P,TP	
2	C702	2202-000121	C-CERAMIC,MLC-AXIAL;100pF;10%,50V,Y5P,TP	
2	C707	2202-000121	C-CERAMIC,MLC-AXIAL;100pF;10%,50V,Y5P,TP	
2	C708	2202-000121	C-CERAMIC,MLC-AXIAL;100pF;10%,50V,Y5P,TP	
2	C703	2202-000231	C-CERAMIC,MLC-AXIAL;330pF;10%,50V,Y5P,TP	
2	C704	2202-000231	C-CERAMIC,MLC-AXIAL;330pF;10%,50V,Y5P,TP	
2	C705	2401-002009	C-AL;100uF;20%,16V,GP,TP6.3x7.5	
2	C706	2401-002009	C-AL;100uF;20%,16V,GP,TP6.3x7.5	
2	L701	2701-000114	INDUCTOR-AXIAL;10uH,10%,2.5x3.4mm	
2	L702	2701-000114	INDUCTOR-AXIAL;10uH,10%,2.5x3.4mm	
2	L703	2701-000114	INDUCTOR-AXIAL;10uH,10%,2.5x3.4mm	
2	L704	2701-000114	INDUCTOR-AXIAL;10uH,10%,2.5x3.4mm	
2	KEZ1	2701-000114	INDUCTOR-AXIAL;10uH,10%,2.5x3.4mm	
2	L705	2701-000168	INDUCTOR-AXIAL;3.3uH,5%,2.5x3.4mm	
2	L706	2701-000168	INDUCTOR-AXIAL;3.3uH,5%,2.5x3.4mm	
2	L707	3301-000287	CORE-FERRITE BEAD;AA,3.5x1.0x6.0mm,1500,	
2	L708	3301-000287	CORE-FERRITE BEAD;AA,3.5x1.0x6.0mm,1500,	
2	PCB	AA41-00345A	PCB-SIDE A/V;CS29K1,FR-1,1LA,1.6T,245x2	
2		AA65-30018A	CLAMPER CORE-WIRE;DONG-A,NYLON-66,-,-,-,	

**ASSYPCB-PFC**

1	HA94-05783B	ASSYPCB-PFC;32W8/24,50HZ,5783A	
2	EYP07	AA60-40011A	K EYELET;ID2.0,OD2.8,BST
2	EYP08	AA60-40011A	K EYELET;ID2.0,OD2.8,BST
2	EYP09	AA60-40011A	K EYELET;ID2.0,OD2.8,BST
2	EYP10	AA60-40011A	K EYELET;ID2.0,OD2.8,BST
2	EYP11	AA60-40011A	K EYELET;ID2.0,OD2.8,BST
2	EYP12	AA60-40011A	K EYELET;ID2.0,OD2.8,BST
2	EYP13	AA60-40011A	K EYELET;ID2.0,OD2.8,BST
2	EYP14	AA60-40011A	K EYELET;ID2.0,OD2.8,BST
2	EYP15	AA60-40011A	K EYELET;ID2.0,OD2.8,BST
2	EYP16	AA60-40011A	K EYELET;ID2.0,OD2.8,BST
2	EYP17	AA60-40011A	K EYELET;ID2.0,OD2.8,BST
2	EYP18	AA60-40011A	K EYELET;ID2.0,OD2.8,BST
2	EYP19	AA60-40011A	K EYELET;ID2.0,OD2.8,BST
2	EYP20	AA60-40011A	K EYELET;ID2.0,OD2.8,BST
2	EYP21	AA60-40011A	K EYELET;ID2.0,OD2.8,BST
2	EYP22	AA60-40011A	K EYELET;ID2.0,OD2.8,BST
2	EYP23	AA60-40011A	K EYELET;ID2.0,OD2.8,BST
2	EYP24	AA60-40011A	K EYELET;ID2.0,OD2.8,BST
2	EYP25	AA60-40011A	K EYELET;ID2.0,OD2.8,BST
2	EYP26	AA60-40011A	K EYELET;ID2.0,OD2.8,BST
2	EYP01	AA60-40011A	K EYELET;ID2.0,OD2.8,BST
2	EYP02	AA60-40011A	K EYELET;ID2.0,OD2.8,BST
2	EYP03	AA60-40011A	K EYELET;ID2.0,OD2.8,BST
2	EYP04	AA60-40011A	K EYELET;ID2.0,OD2.8,BST
2	EYP05	AA60-40011A	K EYELET;ID2.0,OD2.8,BST
2	EYP06	AA60-40011A	K EYELET;ID2.0,OD2.8,BST
2	PCB	AA41-00404A	PCB-PFC;CS2539,FR-1,1LA,1.6T,330x245,KS
2	CNP02	AA39-00236A	LEAD CONNECTOR-ASSY;3(2)P;YHL500-03A BL
2	CNP01	AA39-00235A	LEAD CONNECTOR-ASSY;3(2)P;YHL500-03A BL
2	PFT01	AA27-00121A	COIL CHOKE;CODE_NO,SP43J5HP,15mH,-0%,+5%
2	PFT02	AA27-00121A	COIL CHOKE;CODE_NO,SP43J5HP,15mH,-0%,+5%
2		HA98-600020	ASSY-SUB,PART;KS4A,PFC PCB
3		0202-000008	SOLDER-WIRE;S63S-W3.0,S63S,D3,63Sn/37Pb,
3		0202-000187	SOLDER-WIRE FLUX;-RS60S,D1.2,63Sn/37Pb
3		0204-001024	FLUX;DF-98TVS,-,20%,-
3		0204-000442	SOLVENT;1M-1000.C3H7OH,96,-
2		HA61-00987A	HOLDER-PFC;32W8,29A8,28W8,HIPS,ALLFLAT
3		HA83-00006A	LP-RESIN HIPS;BASF495F,NTR,HB
3		HA83-00011A	LP-RESIN;M BATCH,WILSON 6007-GY-60,GRY
2	CNP02	3711-004721	CONNECTOR-HEADER;3WALL,2P,1R,12.5mm,STRA
2	CNP01	3711-004720	CONNECTOR-HEADER;3WALL,2P,1R,12.5mm,STRA
2		6003-001023	SCREW-TAPTITE;RWH,+B,M3,L10,ZPC(YEL),SW
2	LX803S	AA29-00015A	FILTER LINE NOISE;WS32W8,28-20MH 1.5A,+
2	CX803S	2306-000318	C-FILM,MPPF;220nF;20%,250V,TP,-,22.5mm

Level	Loc. No.	Code No.	Description ; Specification	Remark
<b>ASSY-CRT</b>				
1	HA94-01800A	ASSY-CRT;W76EGX023X522,+360MG,32,ITC,T		
2	AA03-00122A	CRT COLOR;W76EGX023X522,+380mG,0.285mH,1		
2	AA39-20518A	LEAD CONNECTOR-ASSY;6(4P);YFH806-06,350		
2	AA27-00019A	COIL DEGAUSSING;-32,14.5ohm,65T,L3800,		
2	AA63-10002A	BAND-TIE,NYLON66 V2,L100,NTR		
2	AA98-00031A	ASSY TBC WIRE(P);DP;32inch,AA98-70013C,3		
<b>ASSY CABINET FRONT</b>				
1	HA91-05148F	ASSY CABINET FRONT;32V5H,KS3A,COR-PROT,		
2	WR+CF	6003-001019	SCREW-TAPTITE;RH,+B,M4,L12,ZPC(BLK),SWR	
2	KC+CF	6003-001019	SCREW-TAPTITE;RH,+B,M4,L12,ZPC(BLK),SWR	
2		AA64-03002A	WINDOW-RMC,LED;28/32V5,PC,CLR	
2		HA83-00009A	LP-RESIN PC;LEXAN 121R,VIOLET	
2		AA64-02999A	KNOB POWER;28/32V5,HIPS,HB,GRY	
2		HA83-00040A	LP-MARKING PAINT;METALLIC SILVER,SV-012	
3		HA83-00006A	LP-RESIN HIPS;BASF495F,NTR,HB	
3		HA83-00011A	LP-RESIN;M BATCH,WILSON 6007-GY-60,GRY	
2		AA64-70117B	BADGE-BRAND;-AL,-,L65,R2000,SILVER,SS	
2		HA83-00049A	LP-ADHESIVE-HM;12MM,NTR	
2		AA61-60003J	SPRING ETC-CS;-SUS304,-,OD6,N7,OD6,-,	
2		AA65-30105A	CLAMPER CORE-WIRE;ALL MODEL,NYLON 66,V2,	
2		AA64-01506D	INLAY-AV;29K3,PVC-SHEET,TO.3,-,P/GRAY,	
2		AA64-02997F	CABINET-FRONT;32V5H,HIPS,HB,SV012P-II,CO	
2		HA83-00040A	LP-MARKING PAINT;METALLIC SILVER,SV-012	
3		HA83-00021A	LP-MARKING PAINT;WHITE,TPC180	
3		HA83-00006A	LP-RESIN HIPS;BASF495F,NTR,HB	
3		HA83-00011A	LP-RESIN;M BATCH,WILSON 6007-GY-60,GRY	
2		AA64-02998A	KNOB CONTROL;28/32V5,HIPS,HB,GRY	
2		HA83-00040A	LP-MARKING PAINT;METALLIC SILVER,SV-012	
3		HA83-00006A	LP-RESIN HIPS;BASF495F,NTR,HB	
3		HA83-00011A	LP-RESIN;M BATCH,WILSON 6007-GY-60,GRY	
2		AA64-03001A	DECORATION-POWER;28/32V5,HIPS,HB	
3		HA83-00040A	LP-MARKING PAINT;METALLIC SILVER,SV-012	
3		HA83-00006A	LP-RESIN HIPS;BASF495F,NTR,HB	
3		HA83-00011A	LP-RESIN;M BATCH,WILSON 6007-GY-60,GRY	
2	CF+SPK	6002-000515	SCREW-TAPPING;RH,+2,M4,L15,ZPC(WHT),SWR	
2		3001-001005	SPEAKER;10W,8OHM,91DB,140HZ	
2		AA39-00102A	LEAD CONNECTOR-ASSY;4P;35155-0402,REC,9	
2		0203-001290	TAPE-OPP MASKING;ANT 100C,TO.073,W30,L50	
<b>ASSY-CABINET(COM)</b>				
1	AA90-03553B	ASSY-CABINET(COM);KS3A,VL-1823,32V5		
2	CRT	AA65-30113A	CLAMPER CORE-D,COIL;-NYLON 66,V2,-,BLK,	
2		AA65-30008A	CLAMPER CORE-CORD;-PE,HB,-,BLK,-	
2	CB+CF	6003-001025	SCREW-TAPTITE;RH,+B,M4,L20,ZPC(BLK),SWR	
2	CRT+CF	AA60-10050V	SCREW-ASSY;SWRCH18A,M6,L30,HH,+WC,-Z	
2		AA65-30009A	CLAMPER CORE-FBT;-ABS,VO,-,BLK,-	
2		AA65-30110A	CLAMPER CORE-WIRE;ALL MODEL,NYLON 66,V2,	
2		HA83-00046A	LP-TAPE INK;WIDTH 105 MM	
2		HA68-02179A	LABEL-RATING;58MM,53MM,WHITE	
2		HA83-00052A	LP-TAPE INK;WIDTH 55 MM	
2	CB+RCA	6002-000515	SCREW-TAPPING;RH,+2,M4,L15,ZPC(WHT),SWR	
2	CF+PCB	6003-001019	SCREW-TAPTITE;RH,+B,M4,L12,ZPC(BLK),SWR	
2	CF+PCB	6003-001019	SCREW-TAPTITE;RH,+B,M4,L12,ZPC(BLK),SWR	
2		AA63-10002A	BAND-TIE,NYLON66 V2,L100,NTR	
2		AA65-30104B	CLAMPER CORE-WIRE;ALL MODEL,NYLON 66,V2,	
2		AA64-00894L	INLAY-BACK;21K2,PS SHEET,TO.3,BLK,KS1B 2	
2		HA64-02529C	CABINET-BACK;32M6,VL-1823,GRY	
2		AA81-00096A	RESIN-A,VL-1823,G5433,A	
2		HA83-00012A	LP-RESIN;M BATCH,WILSON 6053-GY-60,GRY	
3		AA63-60001L	SPACER-FELT;-FELT,-,BLK,TO.35,-,150	
2		AA61-00813C	SUPPORT-CRT;25M6,28M6,29M6,HIPS,HB,NATUR	
2		HA61-00711C	HOLDER-PCB;29K8,HIPS,HB,GRY	
3		HA83-00006A	LP-RESIN HIPS;BASF495F,NTR,HB	
3		HA83-00011A	LP-RESIN;M BATCH,WILSON 6007-GY-60,GRY	

Level	Loc. No.	Code No.	Description ; Specification	Remark	Level	Loc. No.	Code No.	Description ; Specification	Remark
-------	----------	----------	-----------------------------	--------	-------	----------	----------	-----------------------------	--------

2		HA68-02177B	LABEL-POS;ALL,30MM,65MM,WHITE,AA68-02177	
---	--	-------------	--	--

### ASSY PACKING

1		AA90-03551A	ASSY PACKING;32V5	
2		AA60-40006A	PIN-STAPLE;AUTO,33X17.8X2.4,H18,33X17.8X	
2		HA69-01646A	CUSHION-SET;32V5,PS FOAMED,C=0.02	
3		HA83-00058A	LP-RESIN-EPS;,CHEIL SF-301V,WHT	
2		AA69-00744F	BAG-SHEET;HDPE PE FOAM,TO.015,W1400,H1	
2		HA68-02178A	LABEL-BOX;250MM,89MM,WHITE	
2		HA83-00046A	LP-TAPE INK;WIDTH 105 MM	
2		HA69-01702A	PACKING CASE;32V5,D-4 AB,A1,985,665,670,	
2		HA83-00057B	LP-TAPE-CELLULOSE;HA02-030010,TO,046,W7	

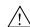
### ASSY ACCESSORY

1		AA94-05823A	ASSY ACCESSORY;50HZ;D,FLAT,100HZ,KS3A,XE	
2		4301-000121	BATTERY-MN;1.5V;AAA,10.5x44.5m,HOLDER	
2		HA69-00276A	BAG VINYL;HDPE,TO.025,L400,W240;-,W/O LO	
2		HA83-00047A	LP-TAPEACETATE;TO.1MM,W20MM,L200MM	
2		HA68-02124A	LABEL;A/P120(G),70,69,WHITE,XECCO	
2		HA68-00971A	LABEL-BACK,DOLBY;A/P100(G),SILVER-BLACK	

### REMOCON

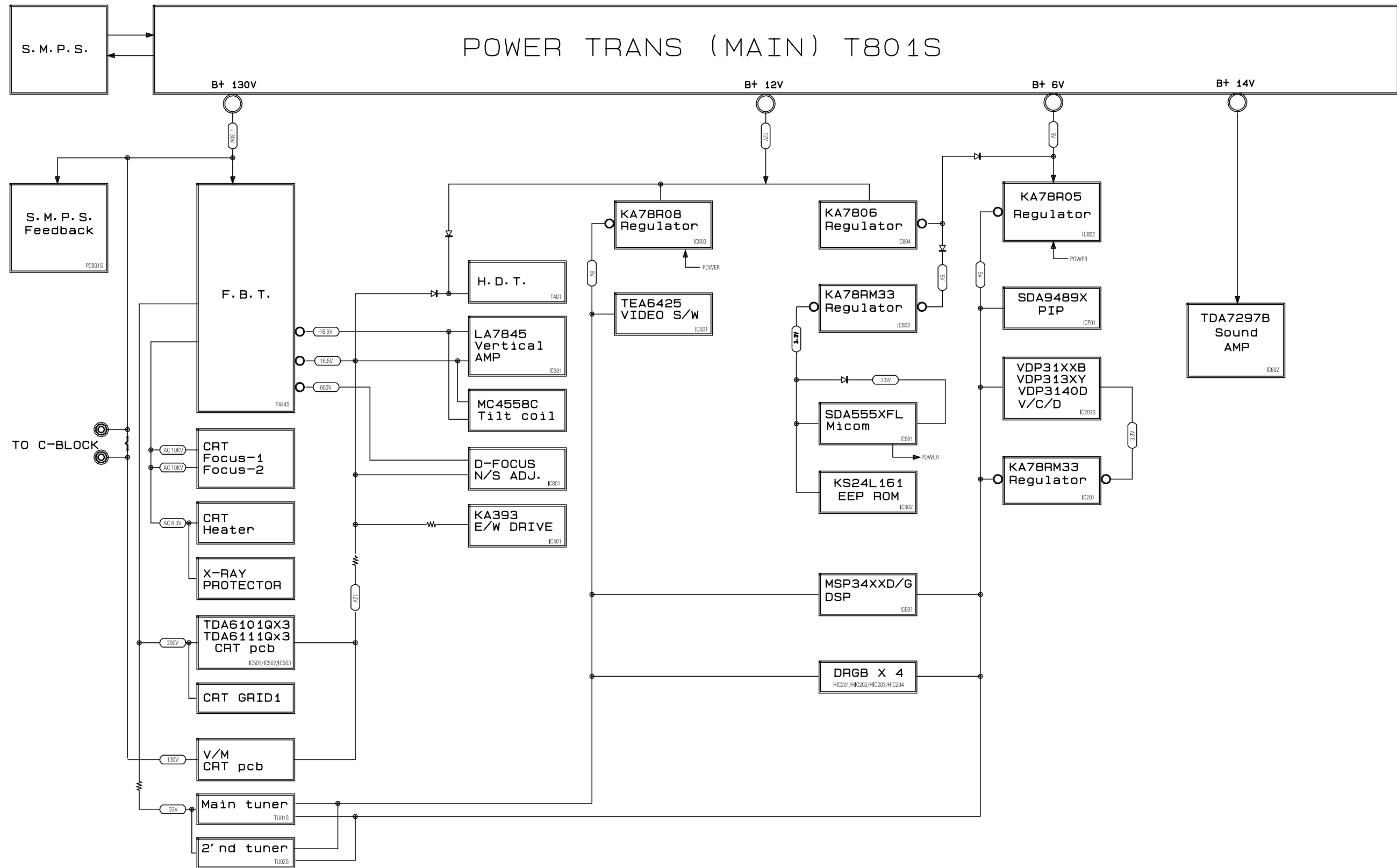
1		AA59-00116B	REMOCON;-,TM57,37,D3/D4,L/GRAY,S/S,GRA	
---	--	-------------	--	--

### ASSY POWER CORD

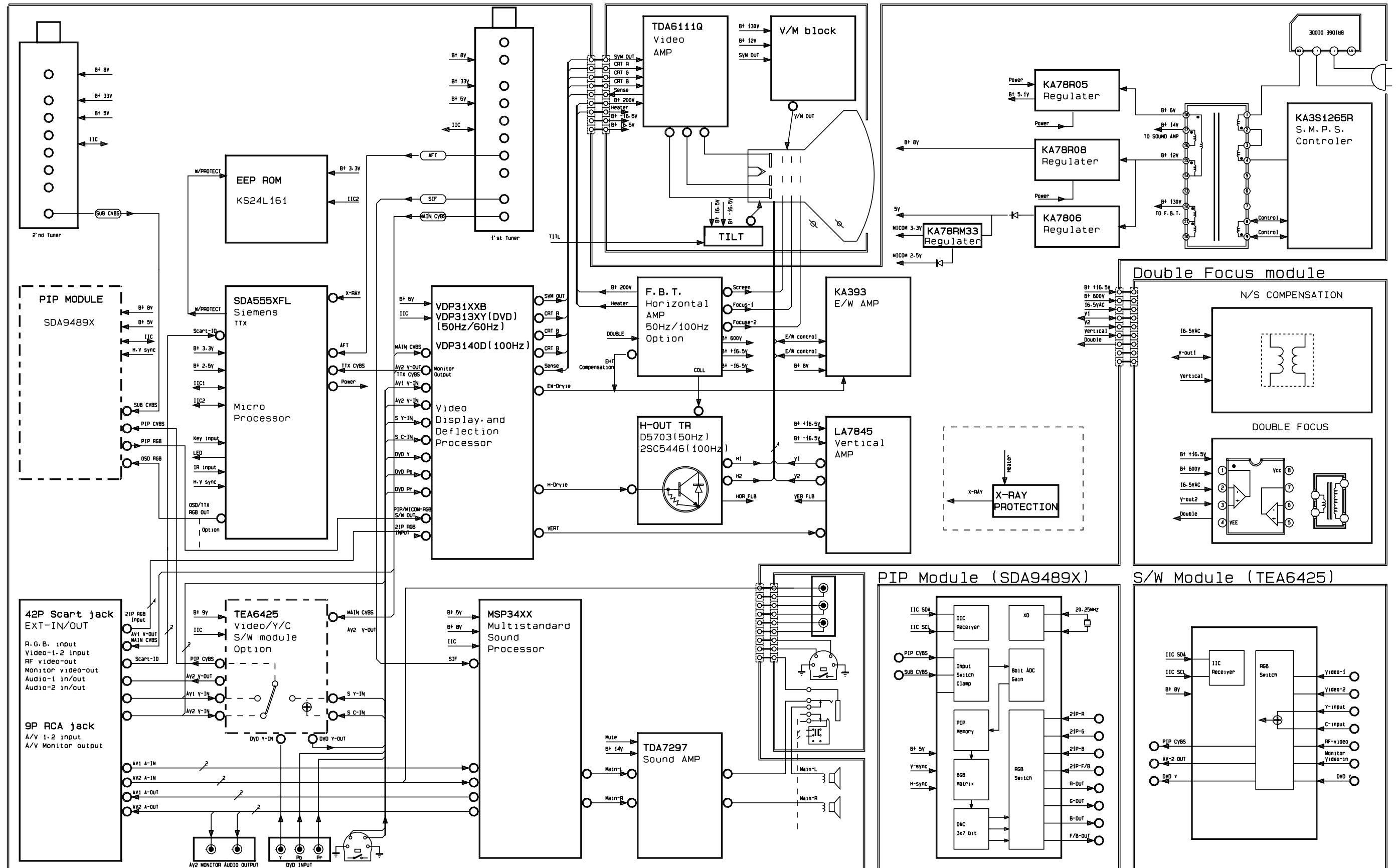
	1	AA96-01127B	ASSY POWER CORD;DPAA39-10001M,CP2,H/C40	
	2	AA39-10001M	CBF POWER CORD;-,KJP-140,KLCE-2F,2.4m,HO	
	2	AA61-20284A	HOLDER;P-CORD,PP;-,BLK,VO,KE-002	

## 8. Block Diagrams

### 8-1 Power Diagram

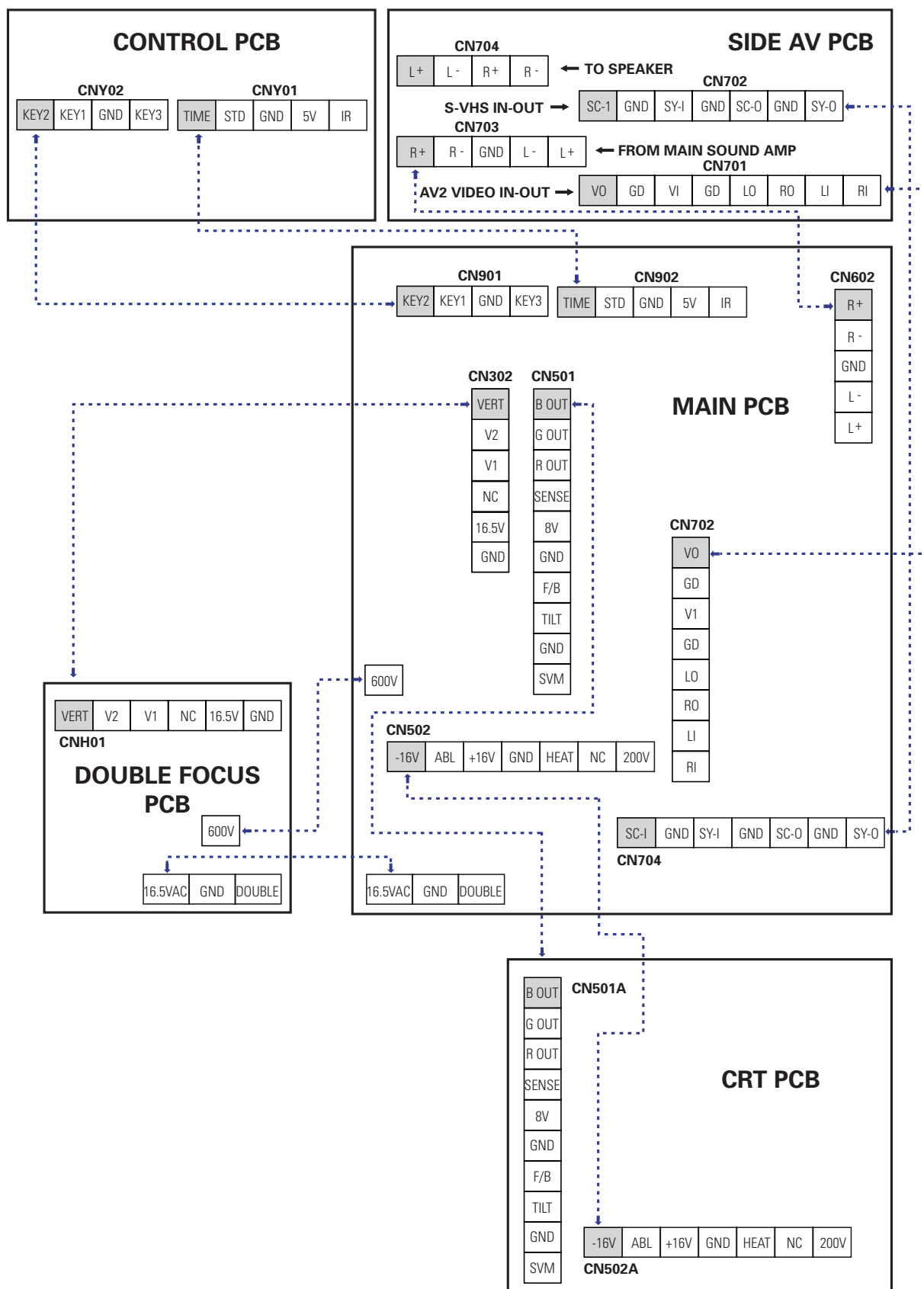


### 8-2 Block Diagram





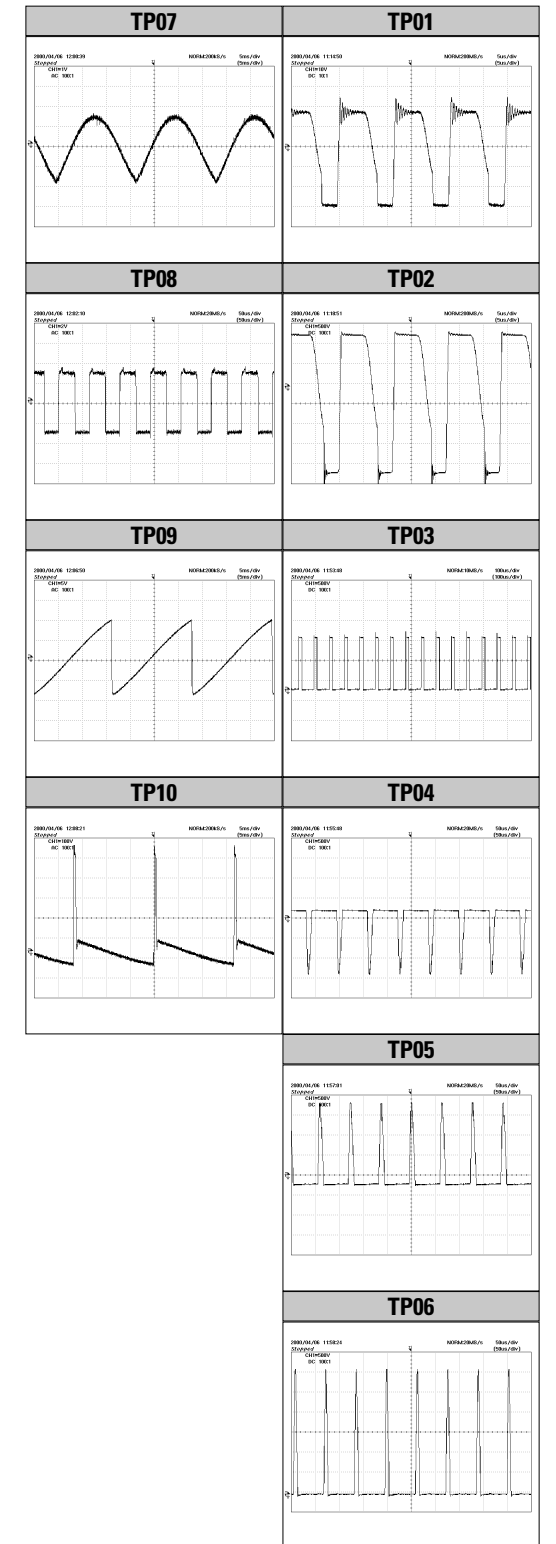
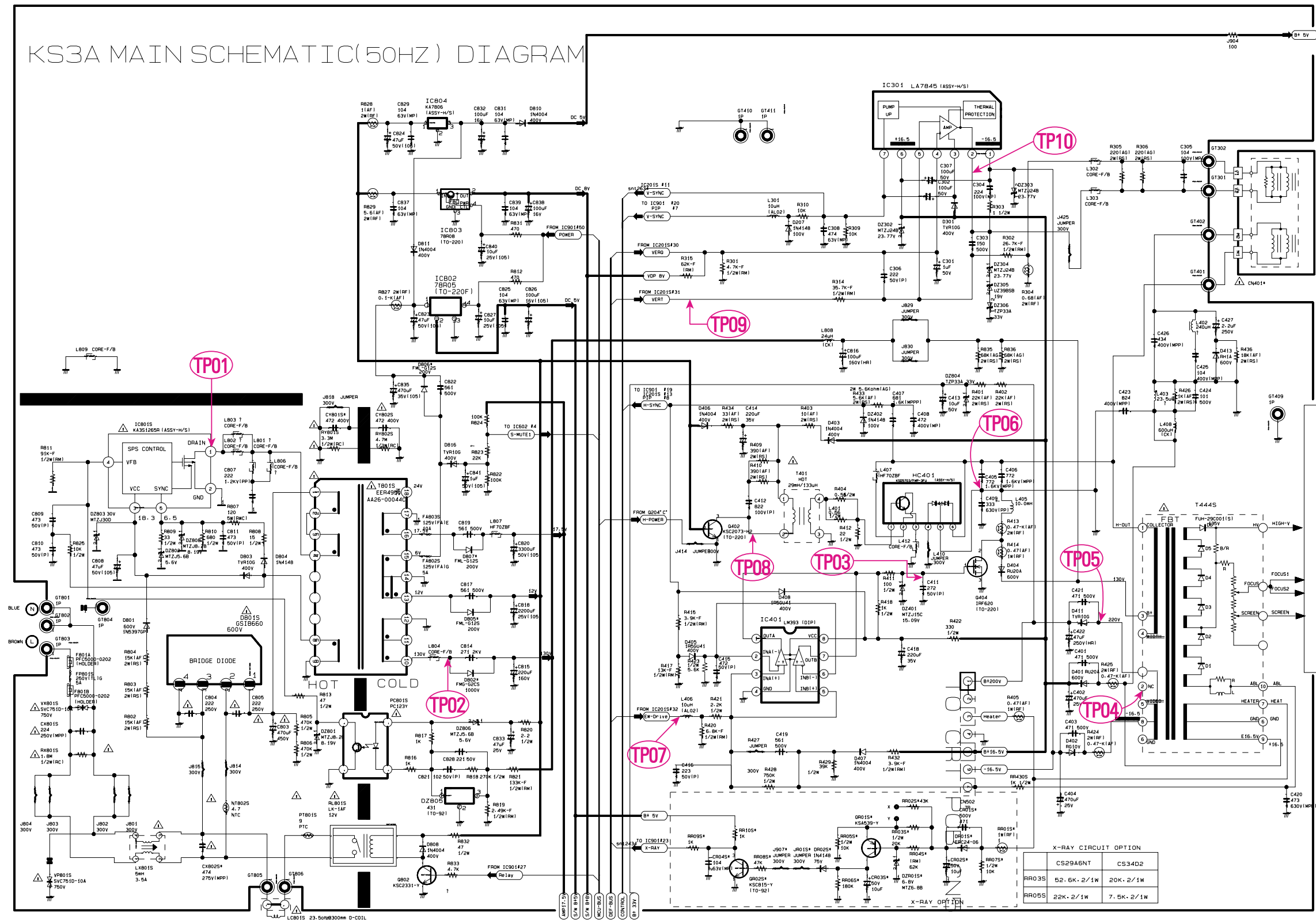
## 9. Wiring Diagram



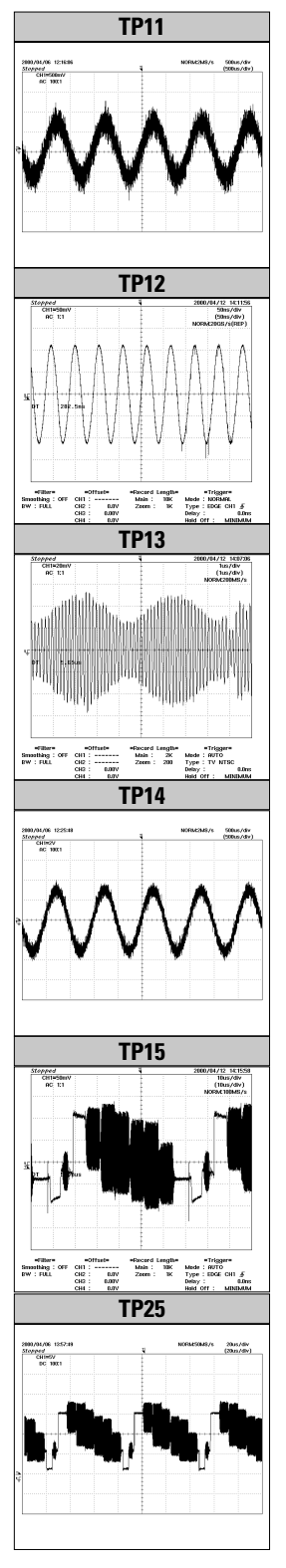
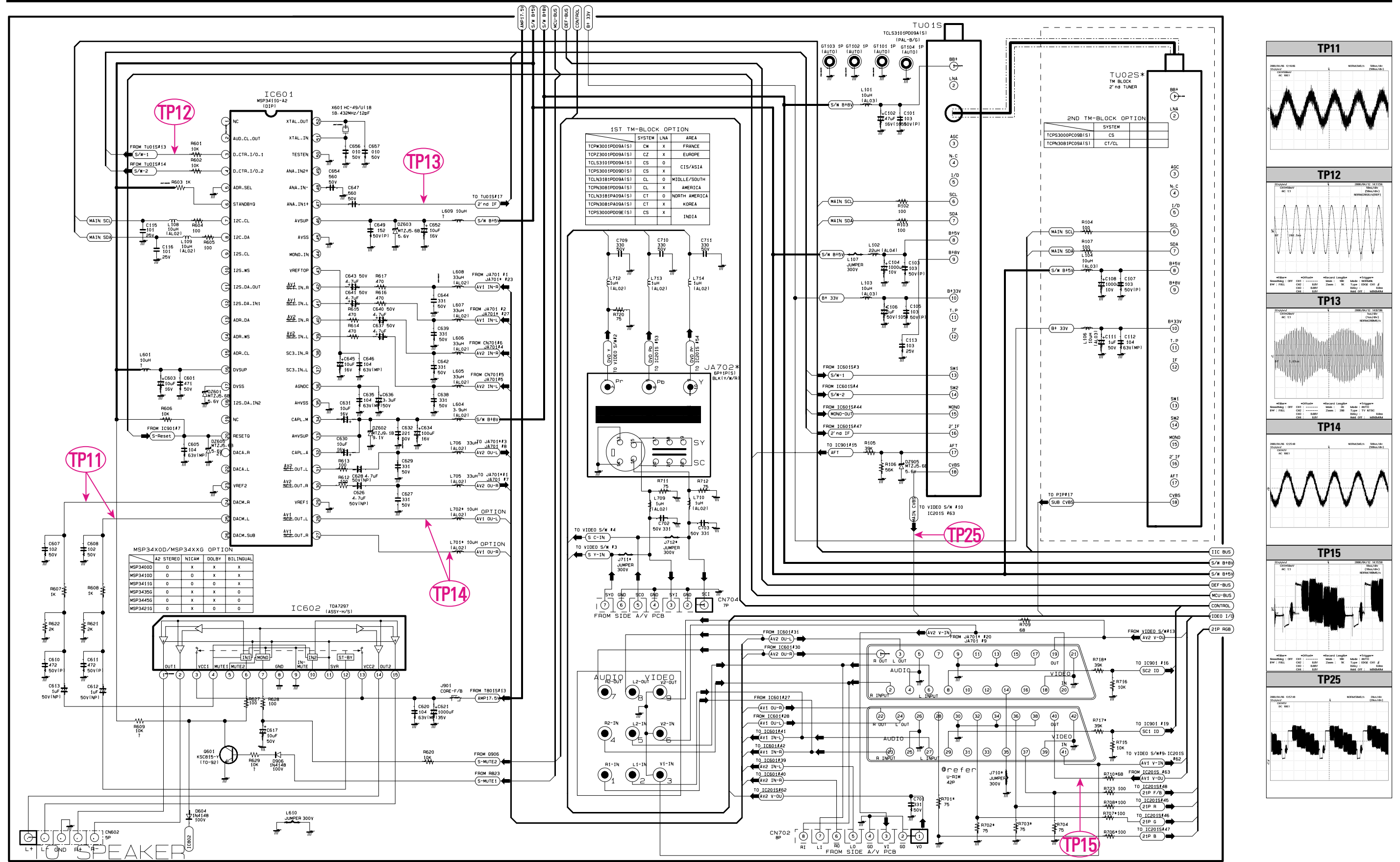
# MEMO

# 10. Schematic Diagrams

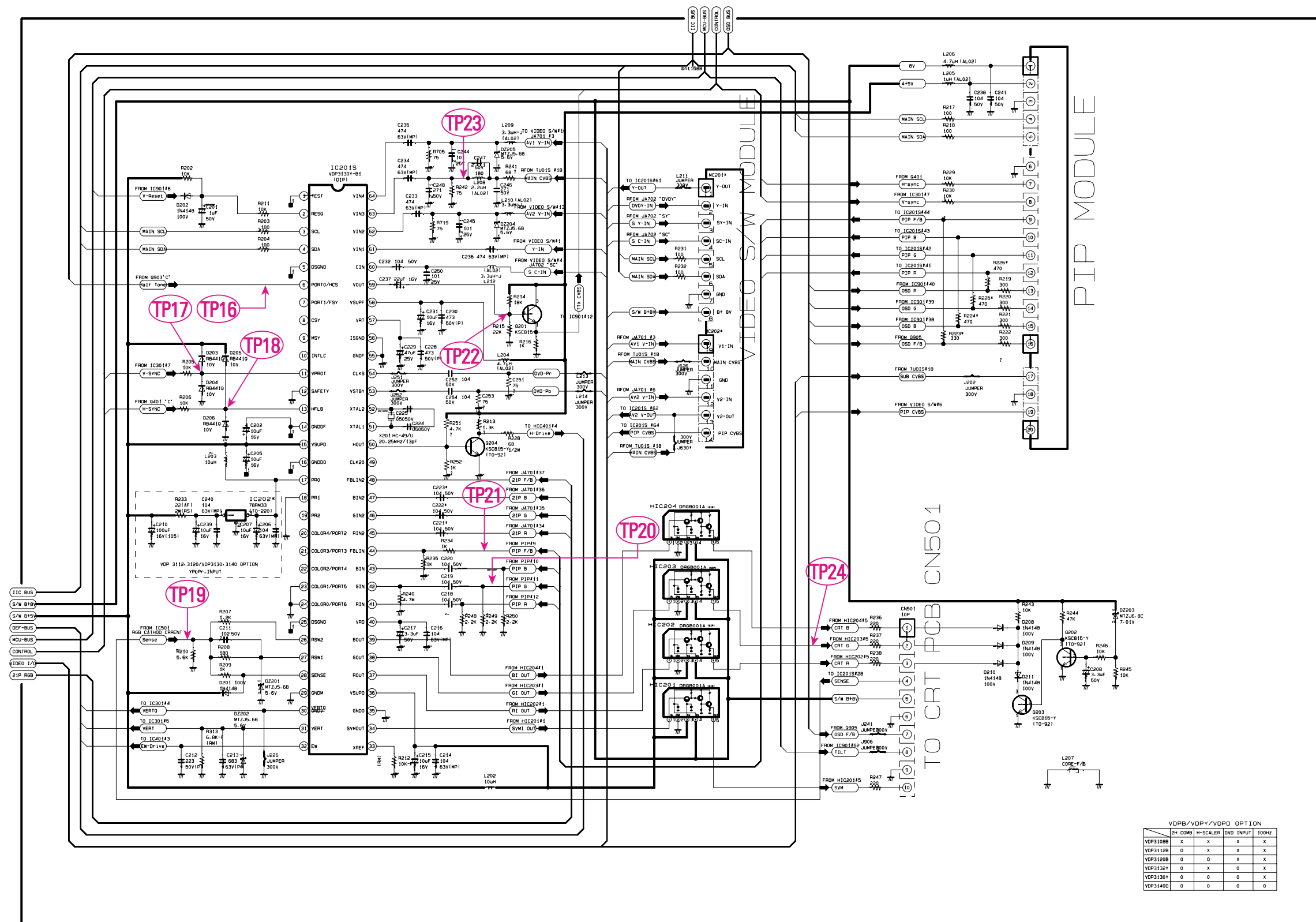
## 10-1 MAIN 1



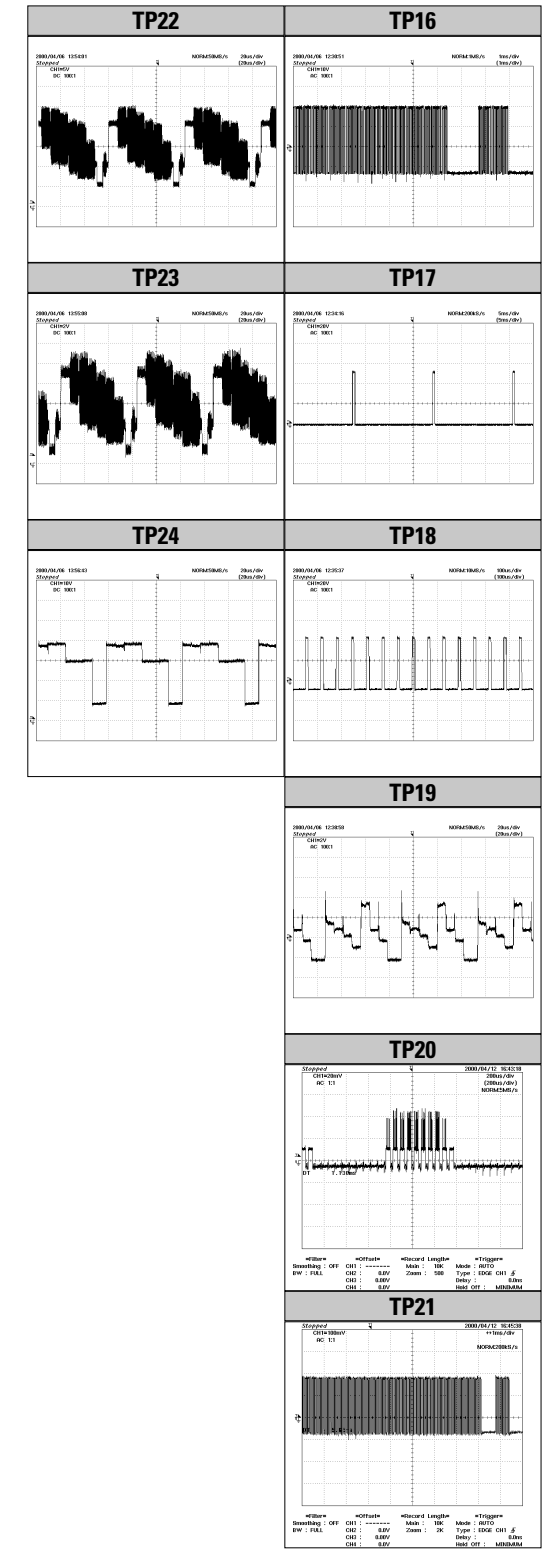
10-2 MAIN 2



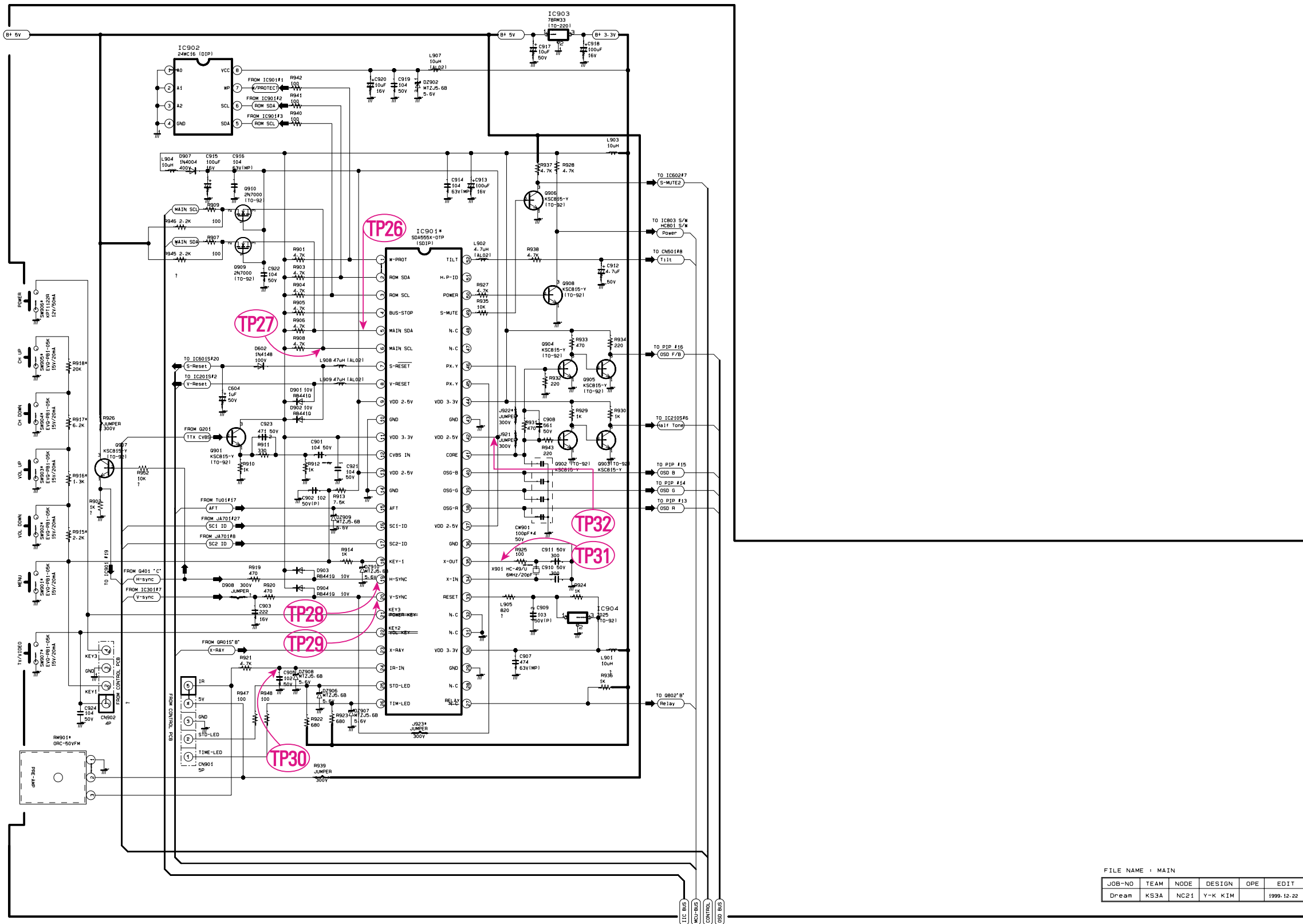
10-3 MAIN3



VDPB/VDPY/VDPD OPTION				
	2H COMB	H-SCALER	DVD INPUT	100Hz
VDP3102B	x	x	x	x
VDP3112B	0	x	x	x
VDP3120B	0	0	x	x
VDP3132Y	0	x	0	x
VDP3130Y	0	0	0	x
VDP31400	0	0	0	0

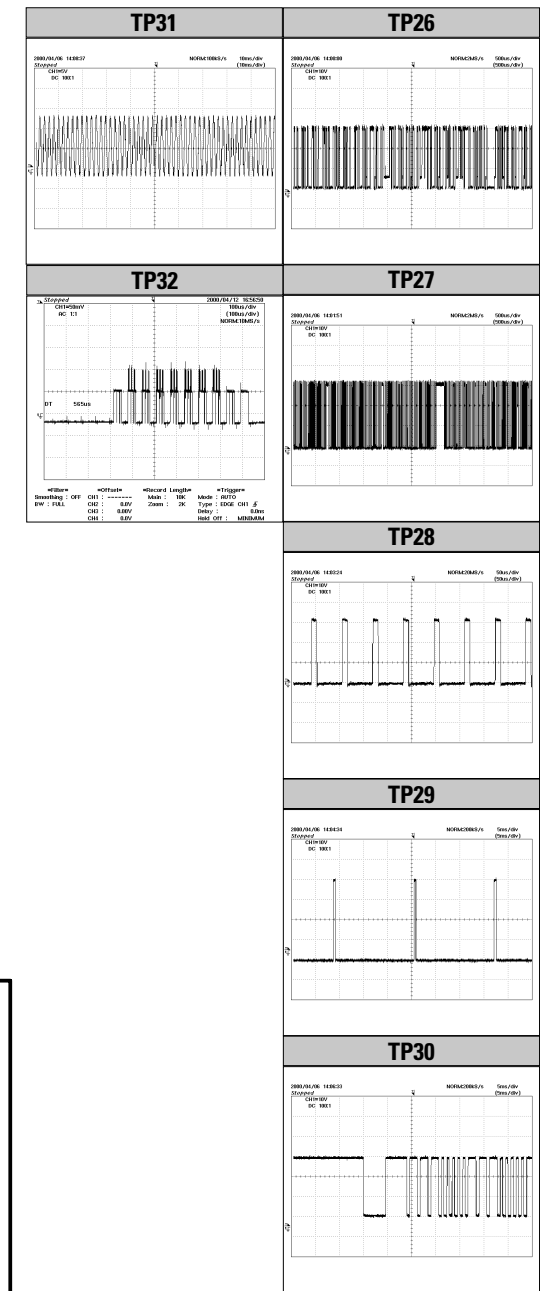


# 10-4 MAIN 4



FILE NAME : MAIN

JOB-NO	TEAM	NODE	DESIGN	DPE	EDIT
Dream	KS3A	NC21	Y-K KIM		1999-12-22

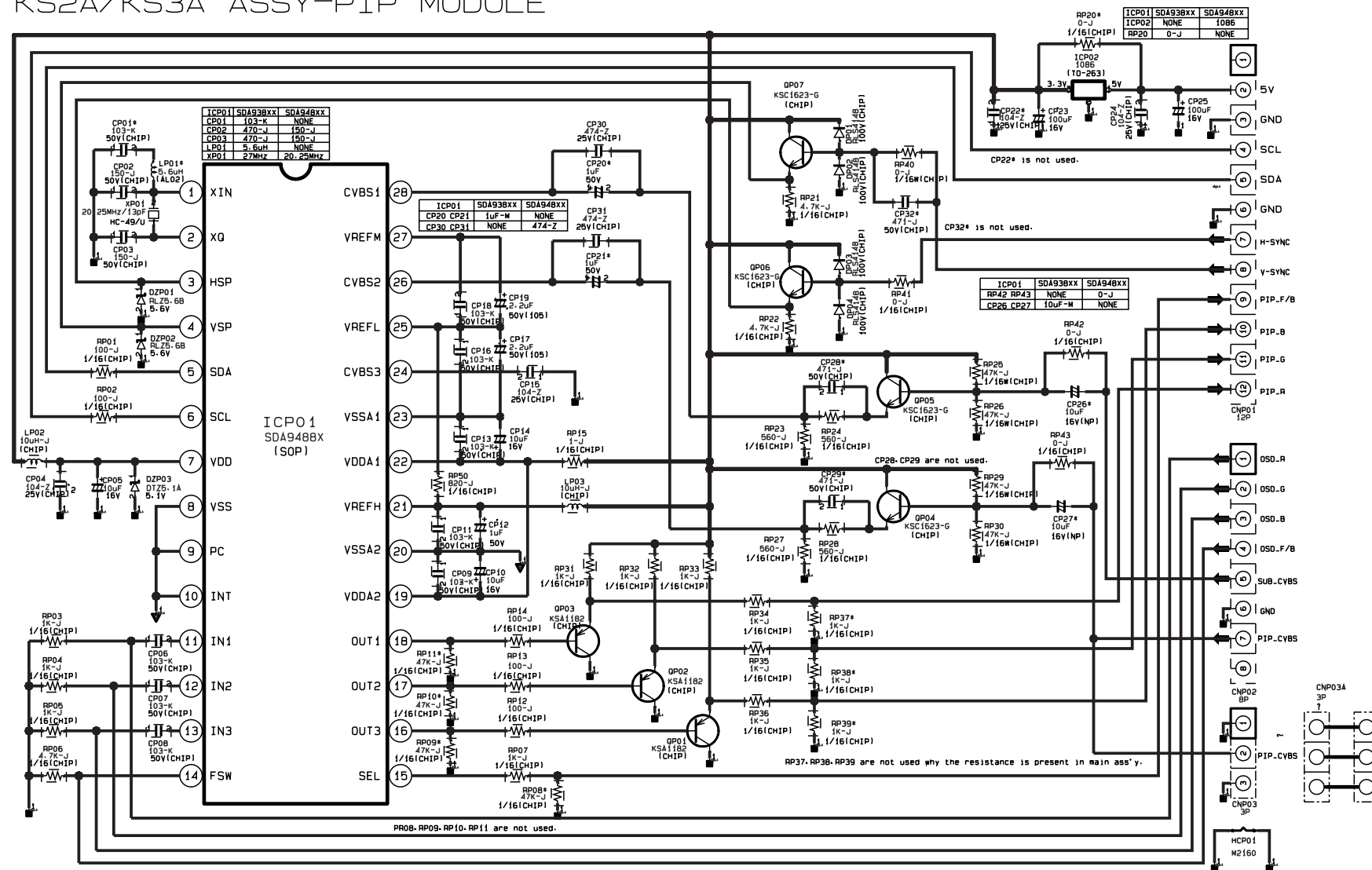




# 10-5 PIP MODULE, SWITCH MODULE

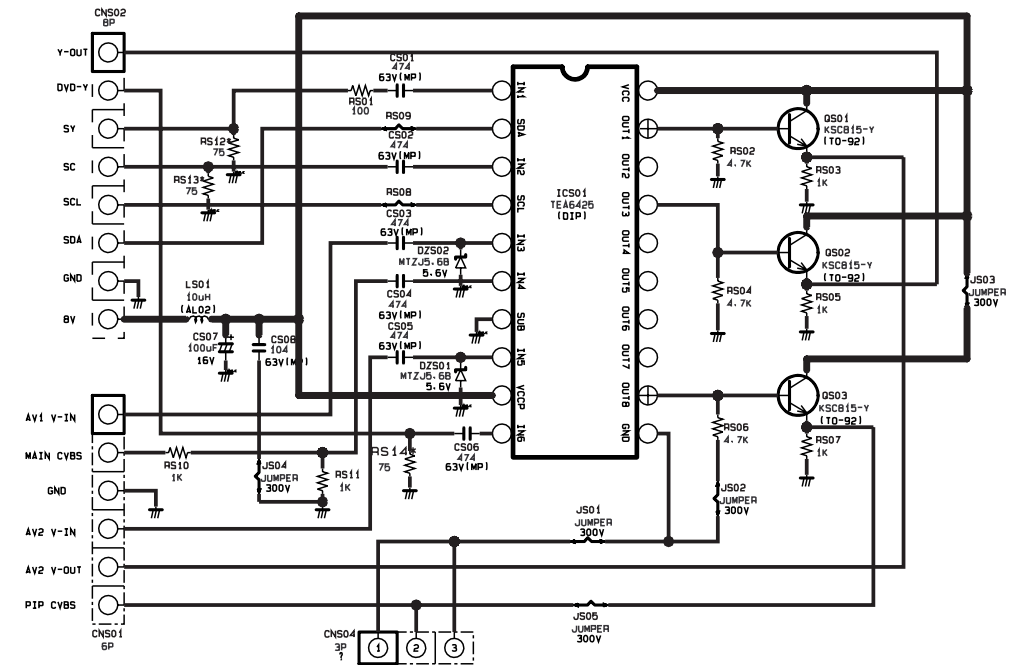
## PIP MODULE

KS2A/KS3A ASSY-PIP MODULE

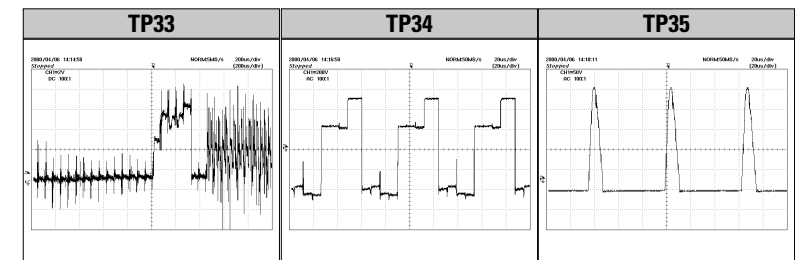
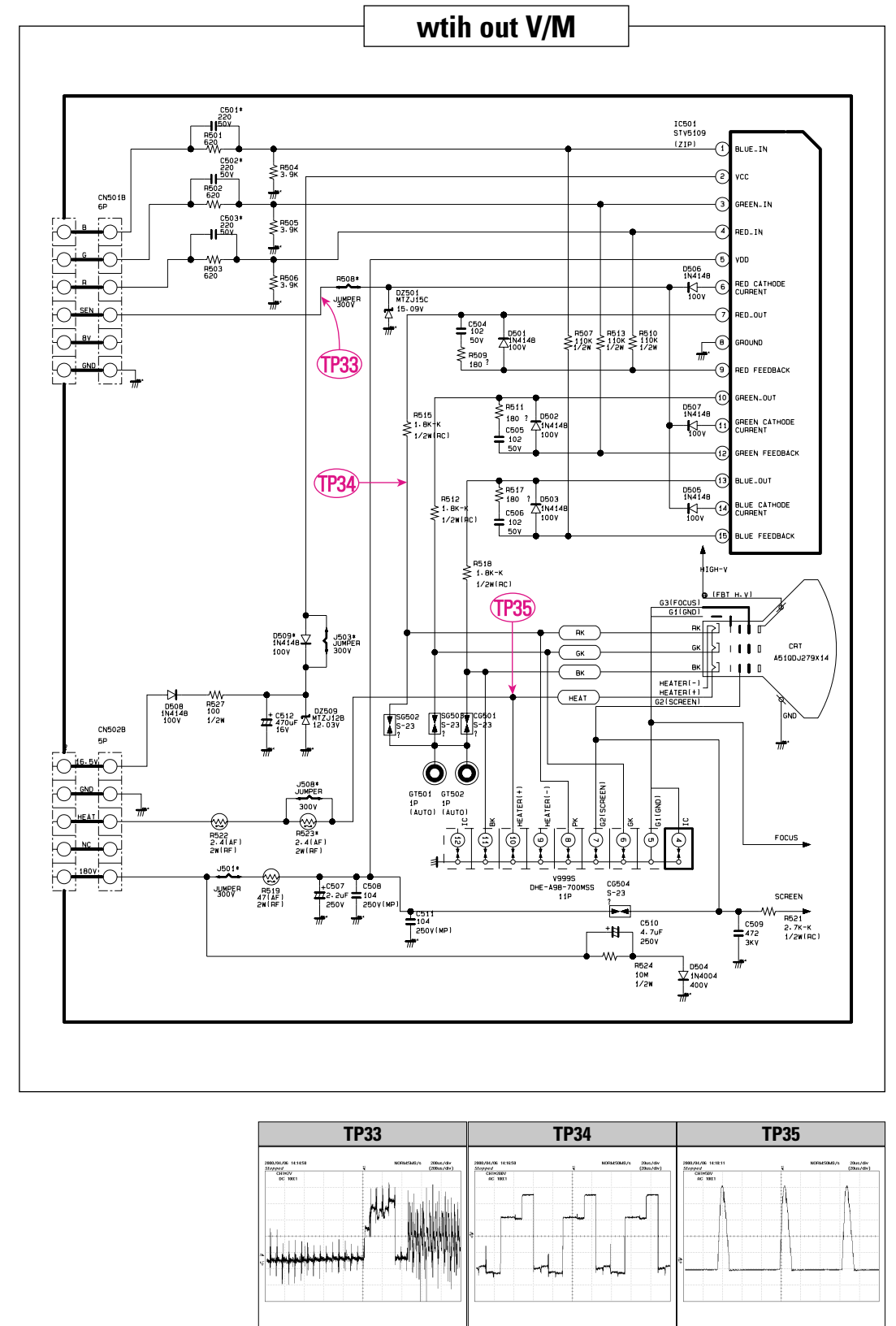
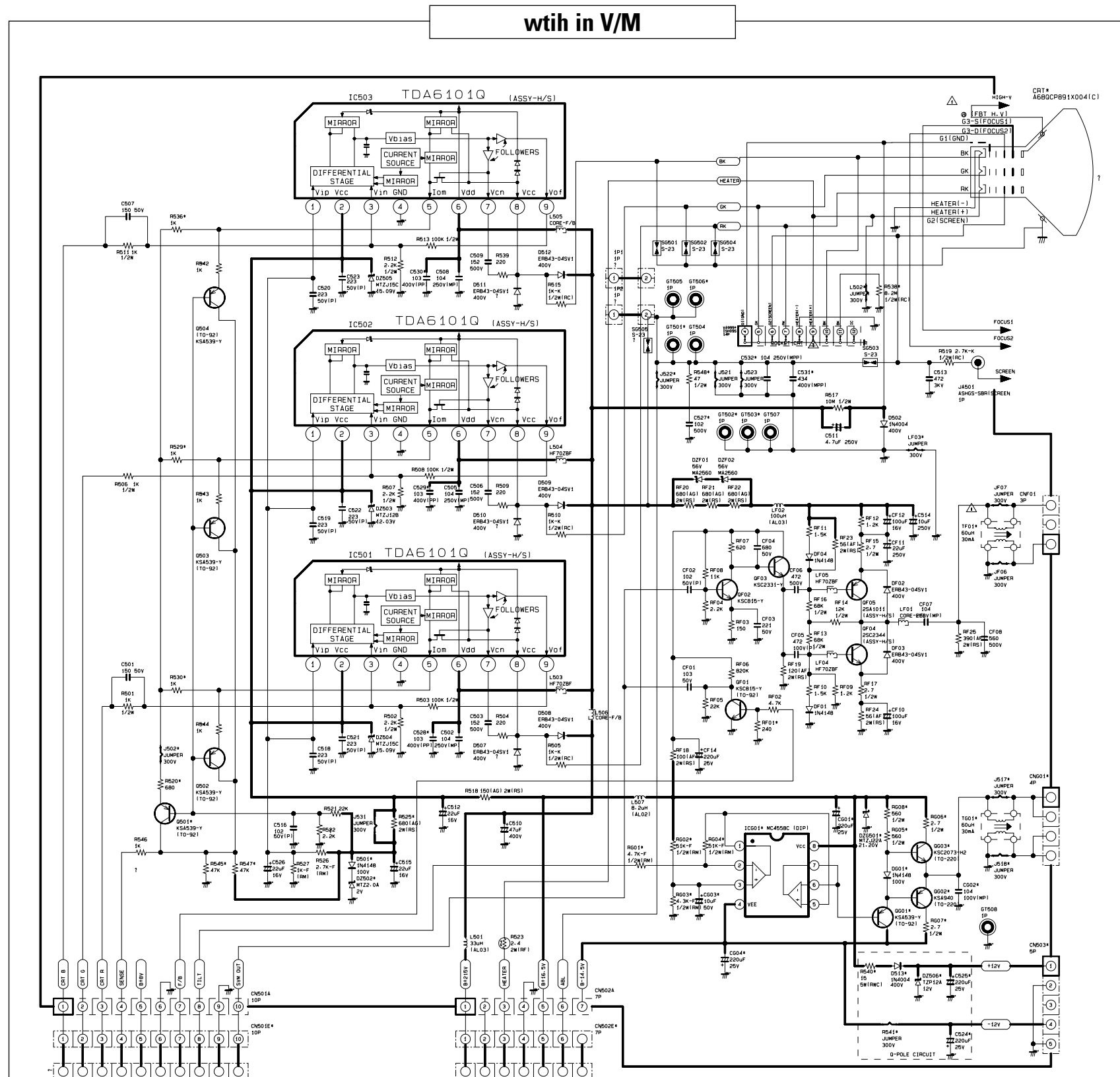


## SWITCH MODULE

KS2A/KS3A VIDEO S/W MODULE (TEA6425)



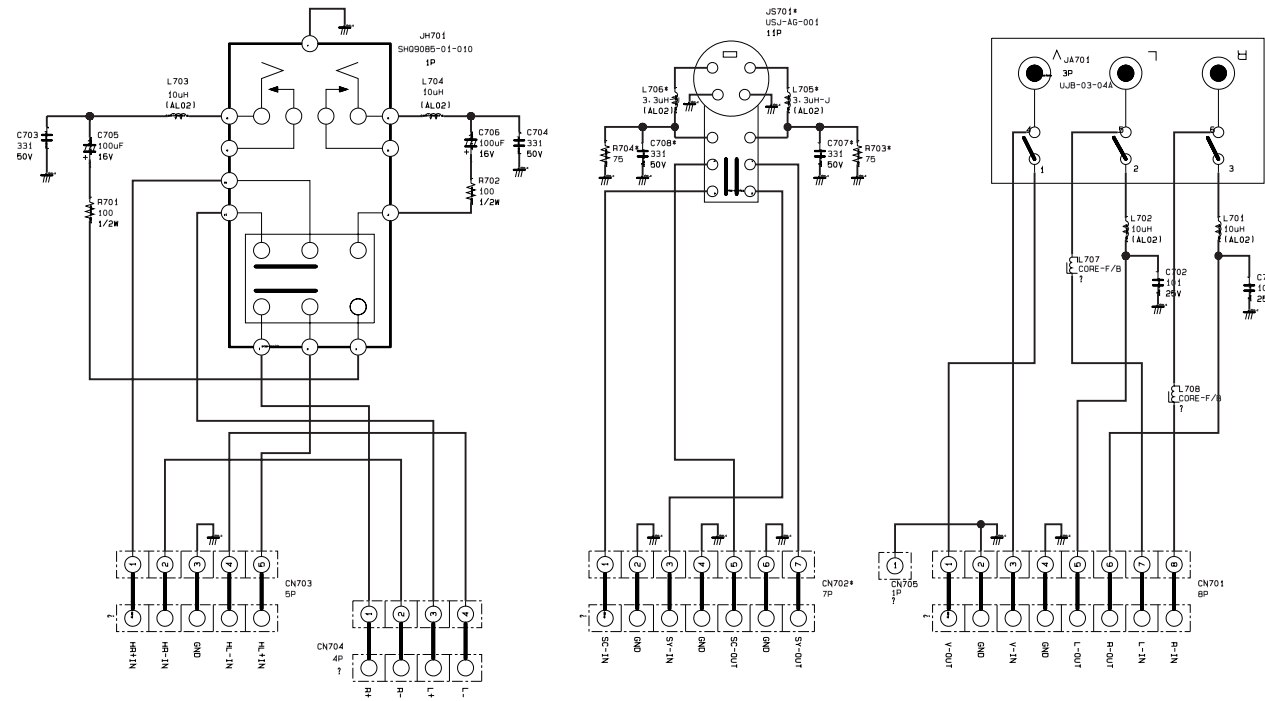
10-6 CRT





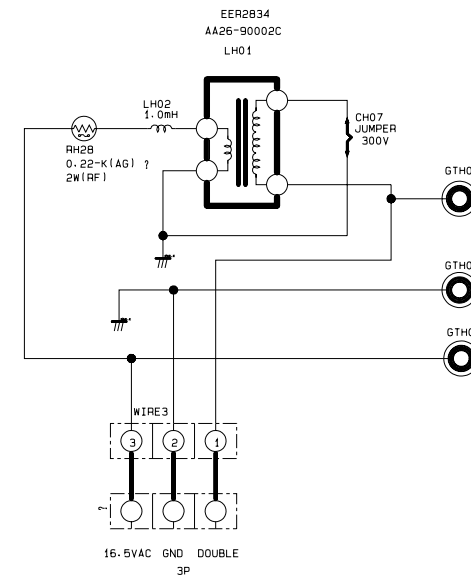
# 10-7 SIDE AV, DOUBLE FOCUS

## SIDE AV



## DOUBLE FOCUS

### DREAM3 100HZ DOUBLE FOCUS MODULE



#### KS3A DYNAMIC FOCUS OPTION

50HZ	LH01	AA26-00011A	TRANCE-DUMMY-3.5MH-EER2B34
	LH02	AA27-40003J	COIL-HORIZ WIDTH-3MH
100HZ	LH01	AA26-90002C	TRANCE-DUMMY-3.5MH-EER2B34
	LH02	AA27-40003L	COIL-HORIZ WIDTH-1MH

This drawing is property of SEC  
Use or copy of this drawing without proper permission from the appropriate  
technical-document managing department is prohibited.



© Samsung Electronics Co., Ltd. **Sep. 2002**  
Printed in Korea  
**3KS3A-SEH-0911**

## Free Manuals Download Website

<http://myh66.com>

<http://usermanuals.us>

<http://www.somanuals.com>

<http://www.4manuals.cc>

<http://www.manual-lib.com>

<http://www.404manual.com>

<http://www.luxmanual.com>

<http://aubethermostatmanual.com>

Golf course search by state

<http://golfingnear.com>

Email search by domain

<http://emailbydomain.com>

Auto manuals search

<http://auto.somanuals.com>

TV manuals search

<http://tv.somanuals.com>