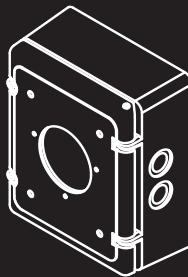
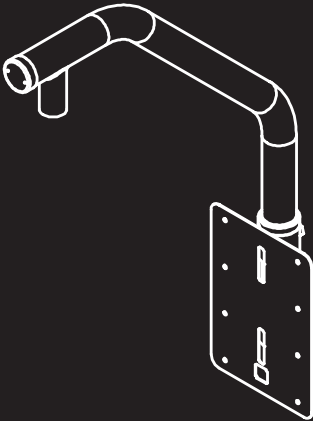
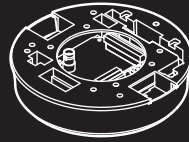
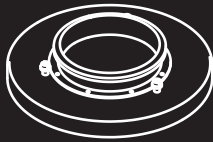
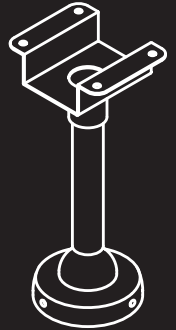
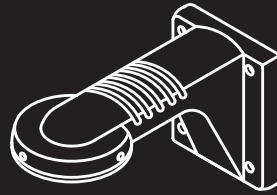
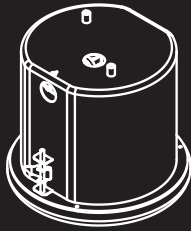
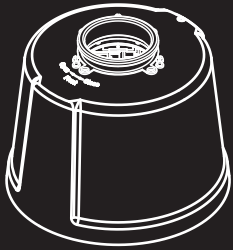


SAMSUNG

Before attempting to operate this product,
please read the instructions carefully.



SPD-3750T/3750/3700T/3700/3350/3310/2510 Speed Dome Camera Accessories Installation Manual

**STH-380PO/STH-370PO/STH-360PO
STH-370PI/STH-370PE
STB-370PC/STH-270PWV/STB-496PPV
STB-25PF/STB-30PF/STB-350PPM
STB-330PPM/STB-340PCM/STB-270B**



Samsung Techwin cares for the environment at all product manufacturing stages to preserve the environment, and is taking a number of steps to provide customers with more environment-friendly products. The Eco mark represents Samsung Techwin's will to create environment-friendly products, and indicates that the product satisfies the EU RoHS Directive.

Thank you for purchasing our products.

This product is to be used for the installation of the Samsung Speed Dome Camera series: SPD-3750T, 3700T, 3750, 3700, 3350, 3310, and 2510.

Before installation, please read the user's manual carefully.

- Note that you need to carefully read all contents related to safety and application methods before installation.
- When using the product, the cautions/warnings, usage directions, operating methods, and instructions must all be observed.
- The power and cable connections should be made by a product installation specialist.
- Do not connect and use these accessories to products other than the Samsung Speed Dome Camera Series.
- The locations for installing the accessory housing should be strong enough to fully secure the accessories. All installations need to be carried out by experienced engineers.
- Do not use it for purposes other than the installation mentioned above.
- For product inquiries, please contact the retail shop where you bought the camera. The use of equipment such as an aerial ladder while providing after-sales service shall be at your expense.

1. Product Category	4
1.1. Housing Accessories	4
1.2. Interface Mounting Accessories	5
1.3. Mounting Bracket Accessories	5
2. Speed Dome Camera Installation Category	7
3. Pendant Type Installation	8
3.1 Wall Mount Type Installation	8
* Camera Wiring Diagram	12
3.2 Ceiling Mount Type Installation	15
3.3 Indoor Flange Mount Type Installation	17
4. On-Ceiling Mount Type Installation	21
5. Indoor Flush Mount Type Installation	25
6. Mounting Accessory Installation	30
Product External Dimensions	34
Product Specification	36

Contents By Product Model

STH-380PO	8
STH-370PO	8
STH-370PI	8
STH-370PE	25
STH-360PO	8
STH-270PWV	8
STB-496PPV	15
STB-370PC	17
STB-350PPM	30
STB-340PCM	30
STB-330PPM	30
STB-30PF	15
STB-270B	30
STB-25PF	17

1. Product Category

1.1. Housing Accessories

STH-380PO/STH-370PO/STH-360PO

: "Outdoor housing" with a built-in install base for the Samsung Speed Dome Camera.

STH-380PO :

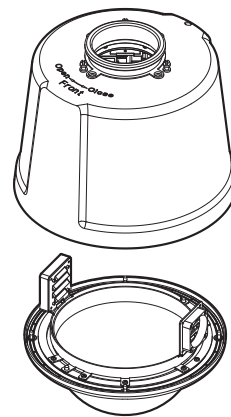
Ultra Low-Temperature Heavyweight(-40°C~50°C)

STH-370PO :

Low-Temperature Heavyweight(-20°C~50°C)

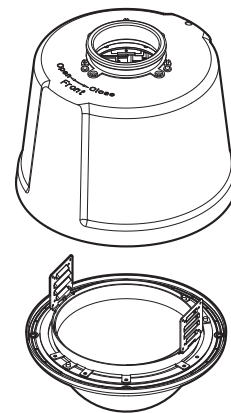
STH-360PO :

Low-Temperature Lightweight(-20°C~50°C)



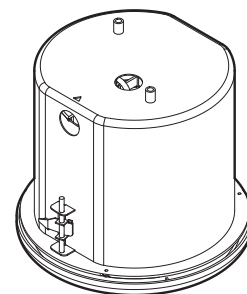
STH-370PI

: "Indoor Housing" with a built-in install base for the Samsung Speed Dome Camera.



STH-370PE

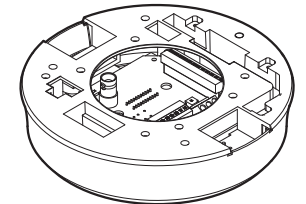
: "Indoor Flush Mount" with a built-in install base for the Samsung Speed Dome Camera.



1.2. Interface Mounting Accessories

STB-370PC

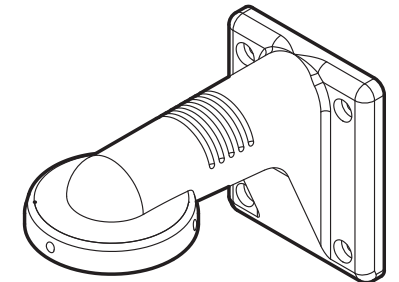
: "On-Ceiling Install Base Mount" for the Samsung Speed Dome Camera.



1.3. Mounting Bracket Accessories

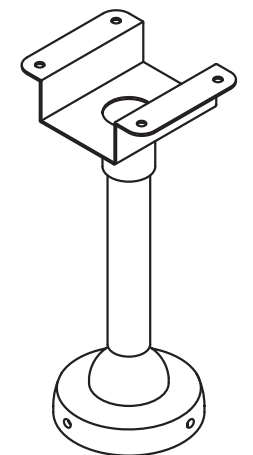
STH-270PWV

: This "Wall Type Mount" is used for the installation of STH-380PO,STH-370PO,STH-360PO,STH-370PI and STB-25PF of the Samsung Speed Dome Camera.



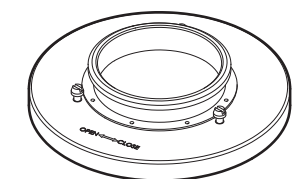
STB-496PPV

: This "Ceiling Type Mount" is used for the installation of STH-380PO,STH-370PO,STH-360PO,STH-370PI and STB-25PF of the Samsung Speed Dome Camera.



STB-25PF

: This "Indoor Flange" for the Samsung Speed Dome Camera is useful to install the camera without a housing.





STB-30PF

: "Ceiling Type Flange" for the Samsung Speed Dome Camera.



STB-350PPM

: Parapet Mount" for the installation of indoor or outdoor housing of Samsung Speed Dome Camera



STB-330PPM

: "Pole Mount" for the Samsung Speed Dome Camera.



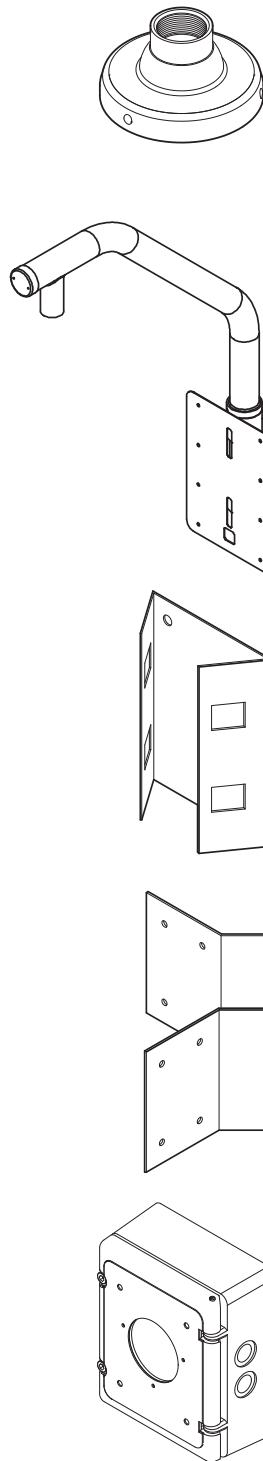
STB-340PCM

: "Corner Mount" for the Samsung Speed Dome Camera.



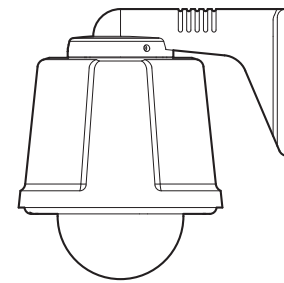
STB-270B

: "Setup Box" for the Samsung Speed Dome Camera.

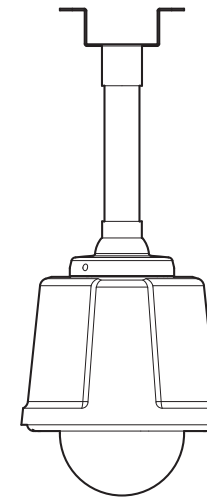


■ 2. Speed Dome Camera Installation Category

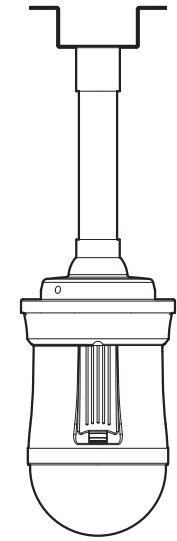
Pendant Type



Wall Type Mount

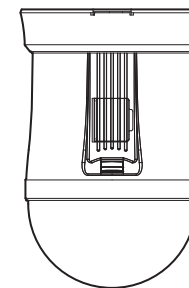


Ceiling Type Mount

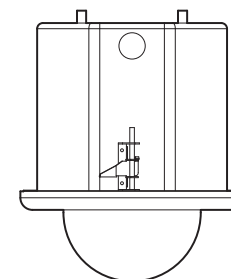


Indoor Flange Type Mount

On-Ceiling Mount Type



Indoor Flush Mount Type

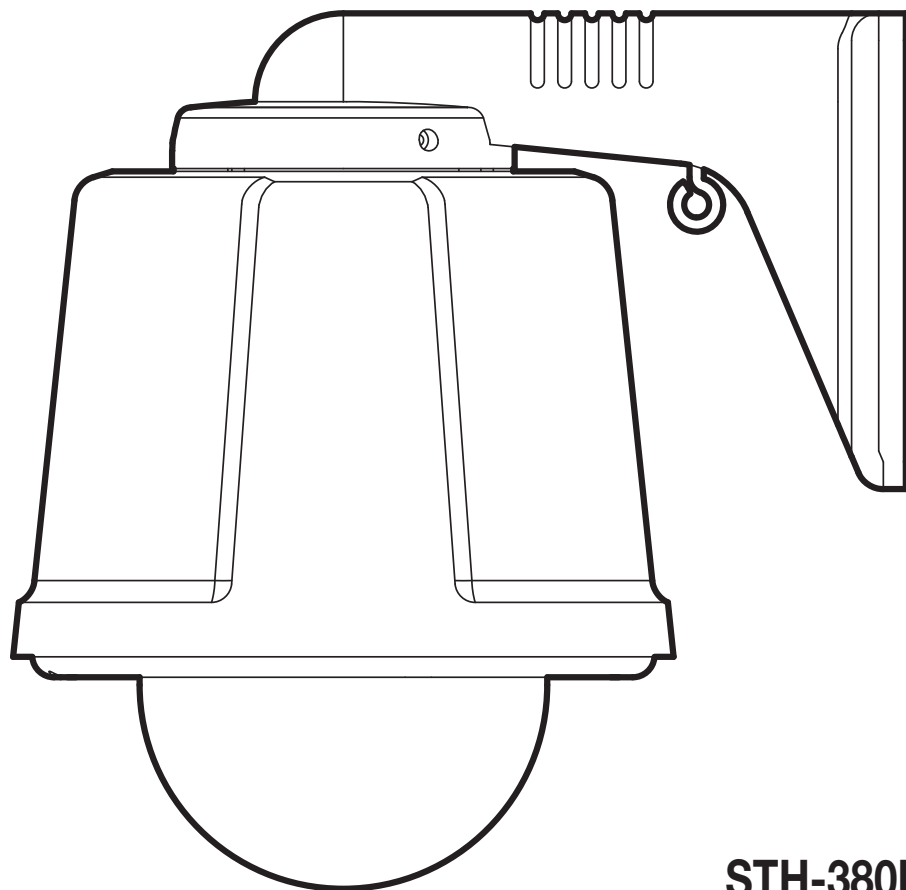


Pendant Type Installation

STH-380PO/370PO/370PI/360PO

3. Pendant Type Installation

3.1 Wall Mount Type Installation



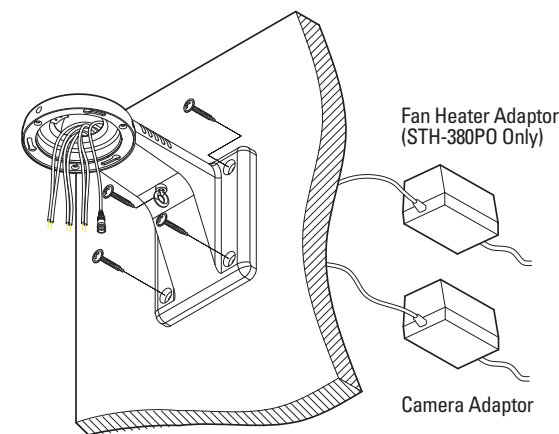
STH-380PO
STH-370PO
STH-360PO
STH-370PI
STH-270PWV

Pendant Type Installation

STH-380PO/370PO/370PI/360PO

1. Securing Wall Bracket and Wiring

As shown in the picture, secure the wall bracket to the wall, and then pull the wires out of the bracket. Please note that the STH-380PO housing requires an additional installation of the fan heater adaptor enclosed with the product.



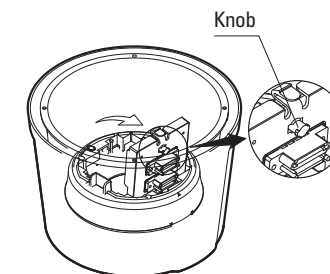
* To store the adaptor, the STB-270B Setup Box (Page 31) can be used.

Notes

- Do not connect the camera to a power outlet until the installation is complete. Supplying power in the middle of the installation may cause fire or damage the product.
- STH-370PO requires an additional installation of the fan heater adaptor enclosed with the product. Connecting the fan heater to a power outlet used for the camera can cause fire or accidents.

2. Preparing Housing

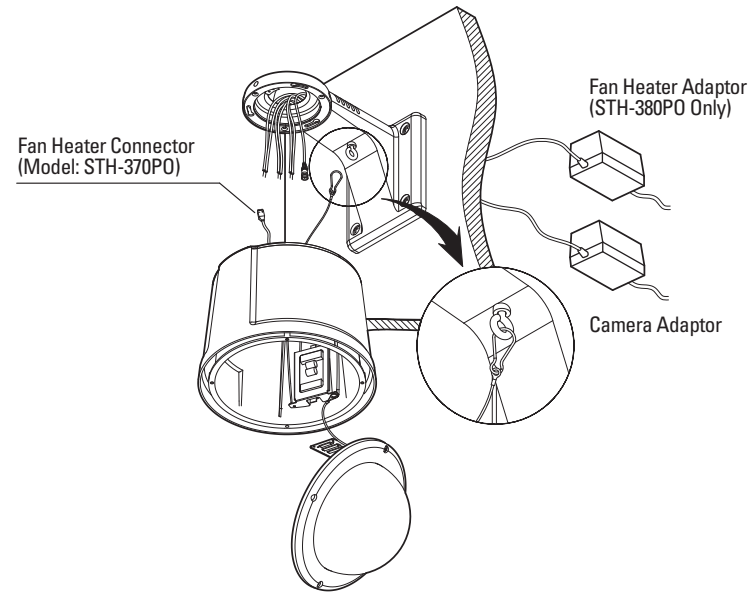
Open the hinged door at the bottom of the housing. Hold the knob on the hinged door to open.



3. Connecting Housing and Bracket

To prevent the housing from falling down during the installation process, hook the safety cable on the bracket loop as shown in the picture.

Pendant Type Installation

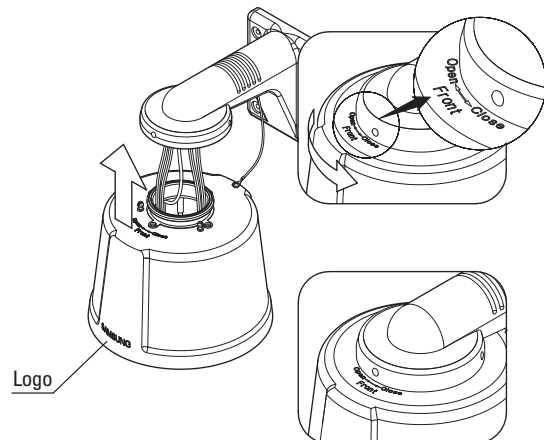


Notes

- The STH-380 housing's fan heater connector must be connected to its dedicated adaptor enclosed with the product.
- Make sure to hook the safety cable on the bracket loop before connecting the housing.
- Neglecting this caution may expose you to injury caused by a fallen housing.

4. Assembling Housing and Bracket

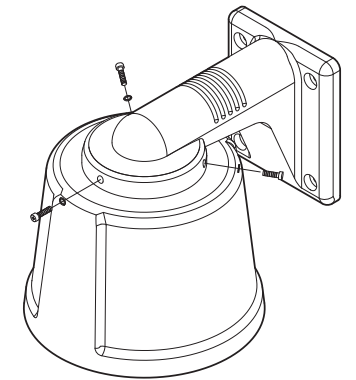
After hooking the safety cable, fit the housing into the fixture grooves on the bracket as shown in the picture. When attaching, locate the "Samsung" logo on the housing facing the center front.



Pendant Type Installation

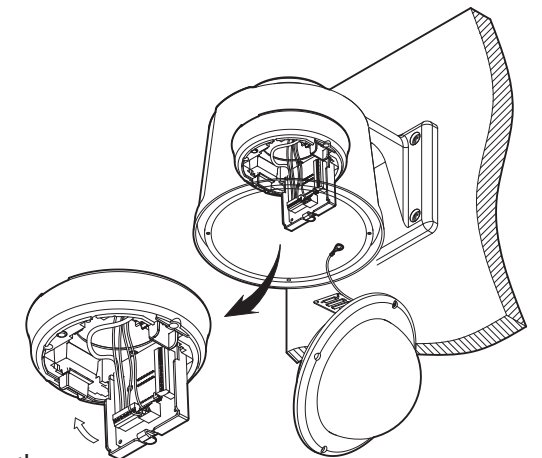
5. Securing Housing

Check if the housing is properly attached to the bracket, secure the housing to the bracket with the enclosed screws.



6. Wiring Terminal Cables

Connect the cables to the terminal block on the hinged door. Once the wiring is successful, close the hinged door.

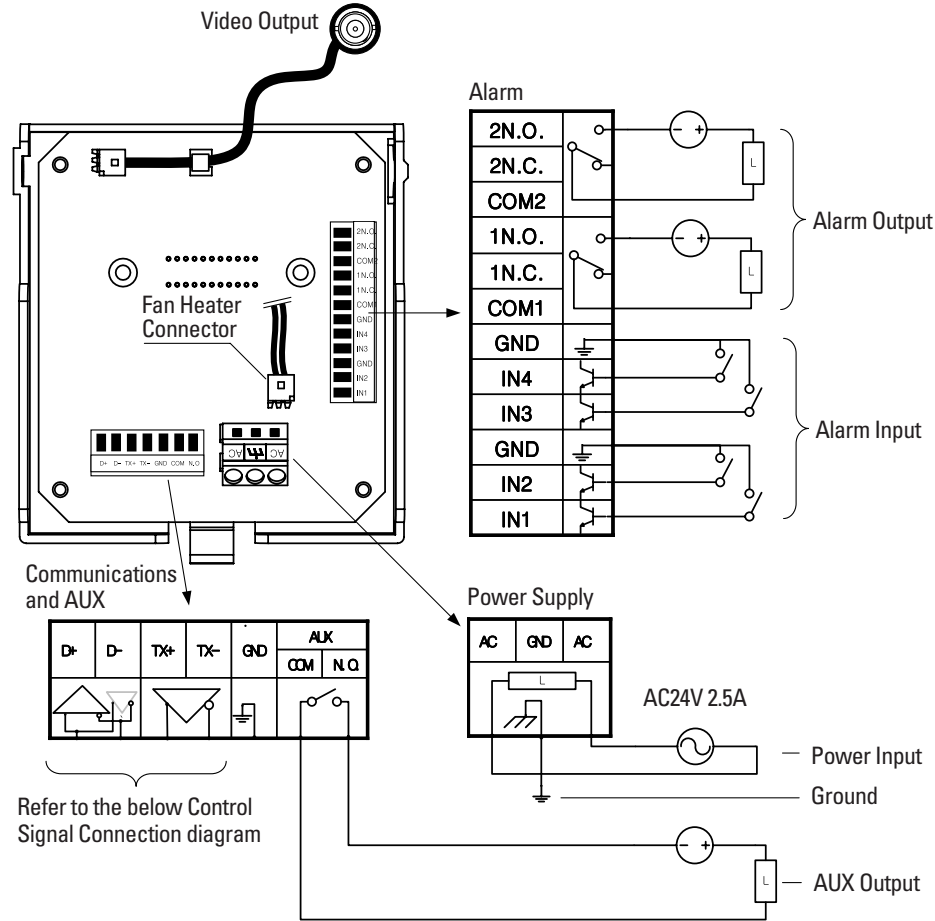


* For the location of the wiring pins, please refer to the "Camera Wiring Diagram" on the next page.

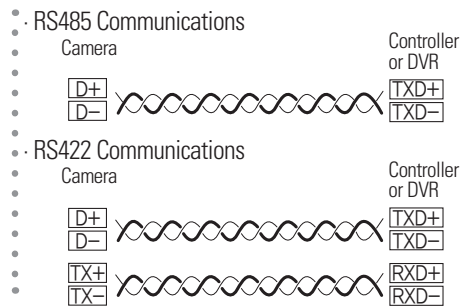
Pendant Type Installation

* Camera Wiring Diagram

This wiring diagram indicates the connection between the interface board and external equipment. For wiring Samsung Techwin's Speed Dome Camera and the accessories, please refer to the Speed Dome Camera user's manual.



Control Signal Connection



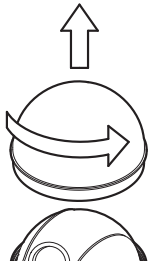
Notes

- The maximum capacity of the alarm and AUX output terminals is DC30V 2A.
- Connecting the power connector and GND incorrectly to the NC/NO and COM ports can cause a short circuit which may lead to fire and damage the camera.

Pendant Type Installation

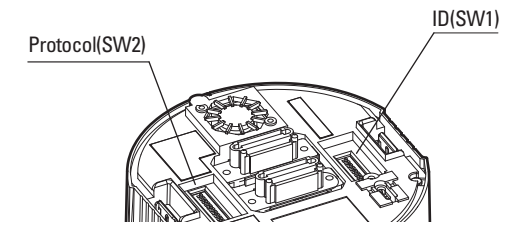
7. Preparing Camera

Once the camera wiring is successful, prepare the camera. Every housing-typed camera except the flush model is provided with a dome cover first detach the dome cover from the camera.



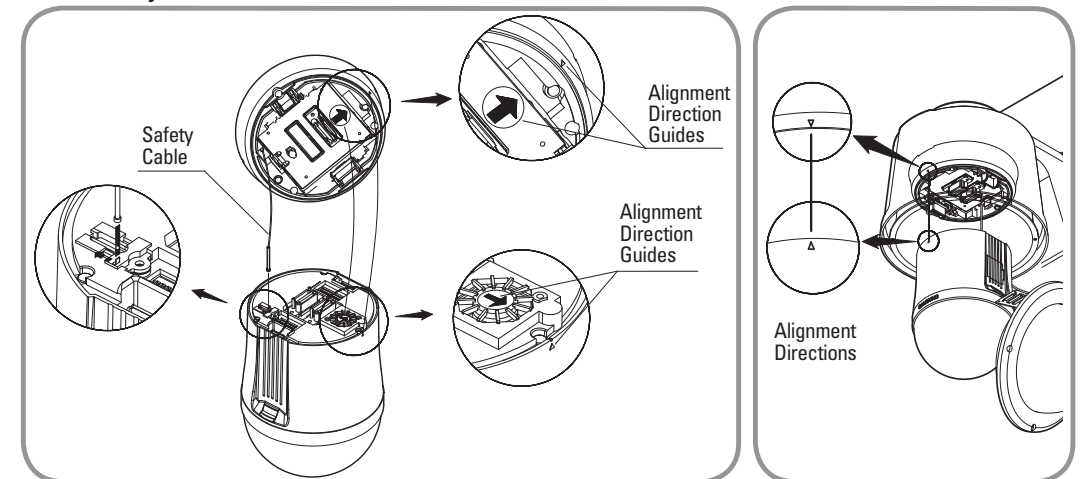
8. Setting Up Camera DIP Switches

DIP switches for communication and ID protocols are located on the bottom of the camera. For the switch settings, refer to the appendix of this manual.



9. Connecting Camera Safety Cable and Attaching Camera

Carefully attach the camera to the mount following the alignment guide marks as shown in the picture. First hook the camera's safety cable on the mount, and then attach the camera. The safety cable is coiled inside the install base. As shown in the leftward picture, pull out the safety cable from the install base and then hook it to the mount.



* To attach the camera to the mount, refer to the alignment guide marks as shown in the picture.

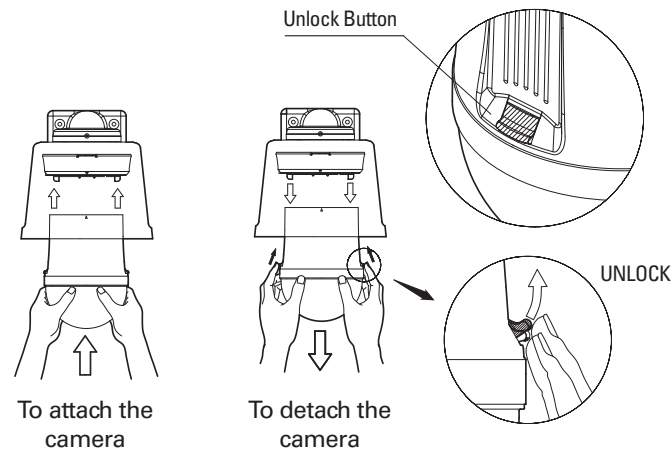
Notes

- Make sure to first hook the camera's safety cable to the mount before proceeding. Otherwise you may be exposed to serious injury caused by a fallen camera.

Pendant Type Installation

STH-380PO/370PO/370PI/360PO

- * To attach or detach the camera, refer to the picture.
- * Attaching the camera: Hold up the camera and push it to the mount as shown in the picture. Push the camera until you hear a "click".
- * Detaching the camera: To detach the camera, pull the camera downward while pushing the unlock buttons on the camera upward.



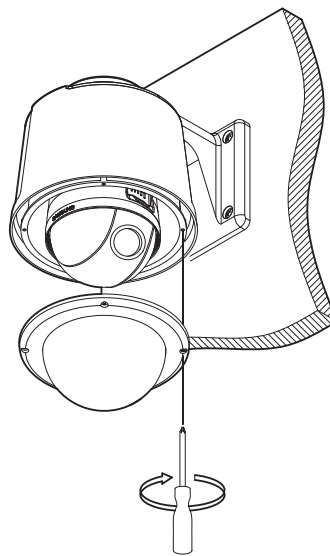
10. Assembling Dome Cover

Once the camera is successfully attached, secure the mount with the transparent dome cover. Next, turn on the power.

11. Dome Cover Setting

Once the installation is complete, please optimize the camera focus settings. On the camera's OSD Menu, set the Dome Cover setting to Outdoor.
(Directory: Main Menu/Camera Setting/Others)

Others	
① Sync	INTERNAL
② Stabilizer	OFF
③ Image Adj	
④ Freeze	OFF
⑤ Dome Cover	Outer

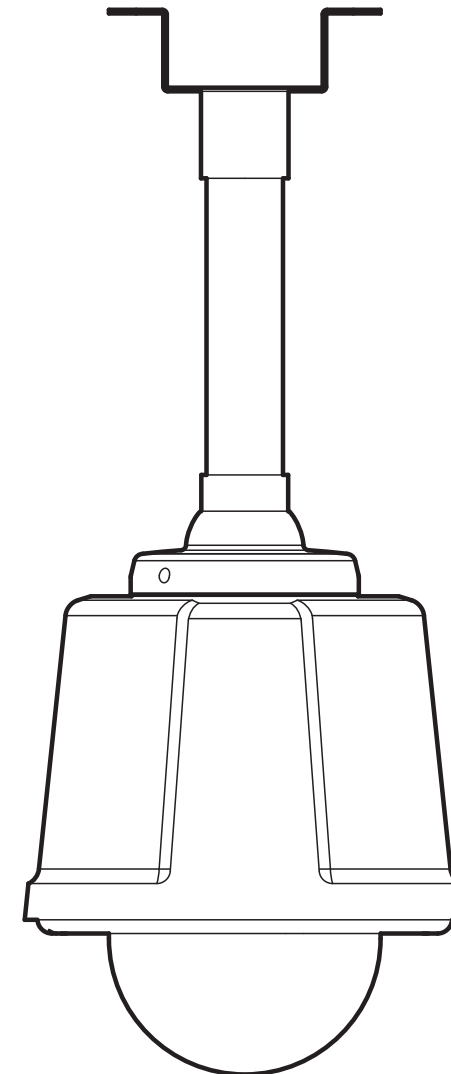


Pendant Type Installation

STH-380PO/370PO/370PI/360PO

3.2 Ceiling Mount Type Installation

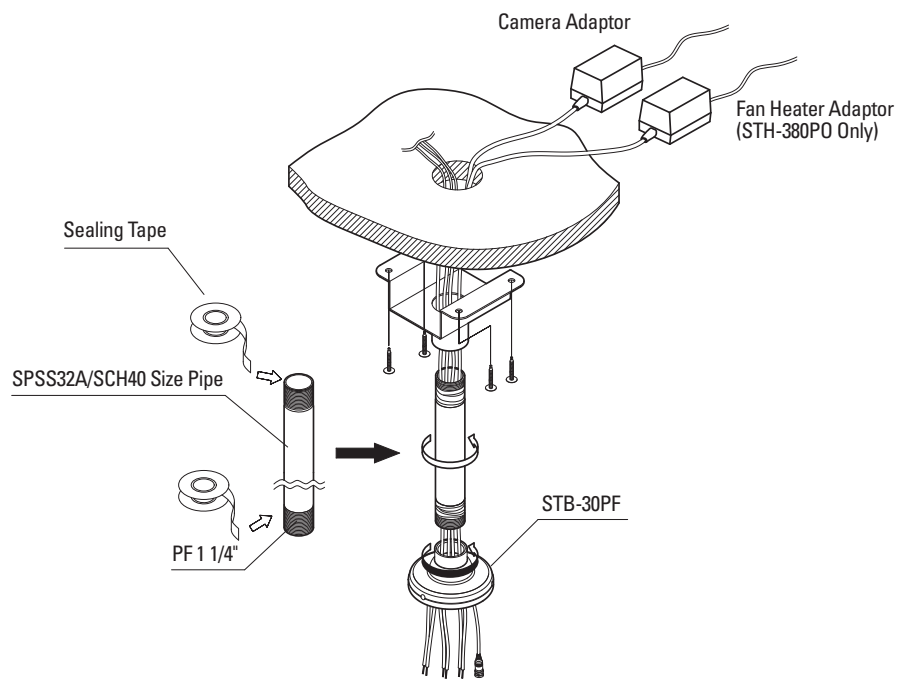
This guideline is based on the installation of the ceiling flange STB-30PF.



STH-380PO
STH-370PO
STH-360PO
STH-370PI
STB-496PPV
STB-30PF

Pendant Type Installation

STH-380PO/370PO/370PI/360PO



1. Preparing Pipe and Ceiling Bracket

STB-30PF requires a SPSS32A/SCH40-sized pipe as shown in the picture. Assemble the screw taps, and then wind a sealing tape around the screw barrel to prevent water leakage. Please note that the STH-380PO housing requires an additional installation of the fan heater adaptor enclosed with the product.

Notes

- Using unsealed screw taps can cause the product to fall down or allow water leakage that may lead to fire or damage the product. Sealing tape is not enclosed with the product, and needs to be purchased at your expense.

2. Assembling STB-30PF and Pipe

After sealing the screw taps, assemble the STP-30PF flange securely to the pipe.

Notes

- Do not connect the camera to a power outlet until the installation is complete. Supplying power in the middle of the installation may cause fire or damage the product.

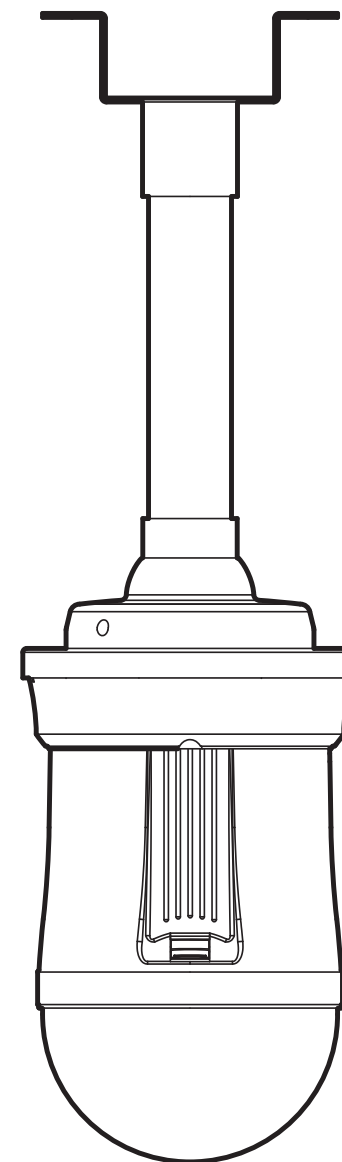
* For the next installation procedures, refer to the "Wall Type Housing" installation from step 2.

Pendant Type Installation

STH-380PO/370PO/370PI/360PO

3.3 Indoor Flange Mount Type Installation

This guideline is based on the installation of the indoor flange STB-25PF and the ceiling exposed mount STB-370PC.



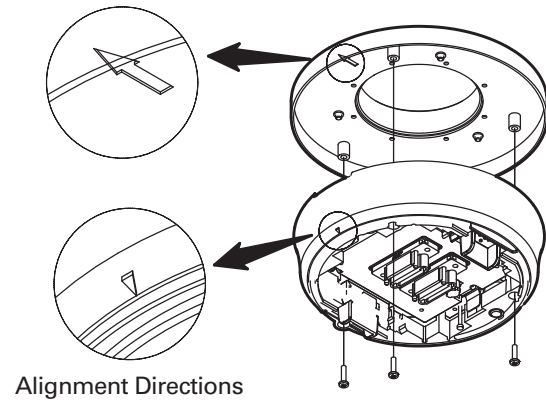
- STB-370PC
- STB-30PF
- STB-25PF
- STB-496PPV
- STB-30PF

Pendant Type Installation

STH-380P0/370P0/370P1/360P0

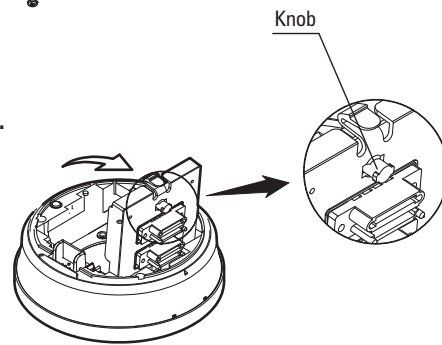
1. Assembling Flange and Ceiling Exposed Mount (STB-370PC)

Wind sealing tape around the barrel of the screw taps, and then secure the STP-25PF flange securely to the mount with the enclosed screws.



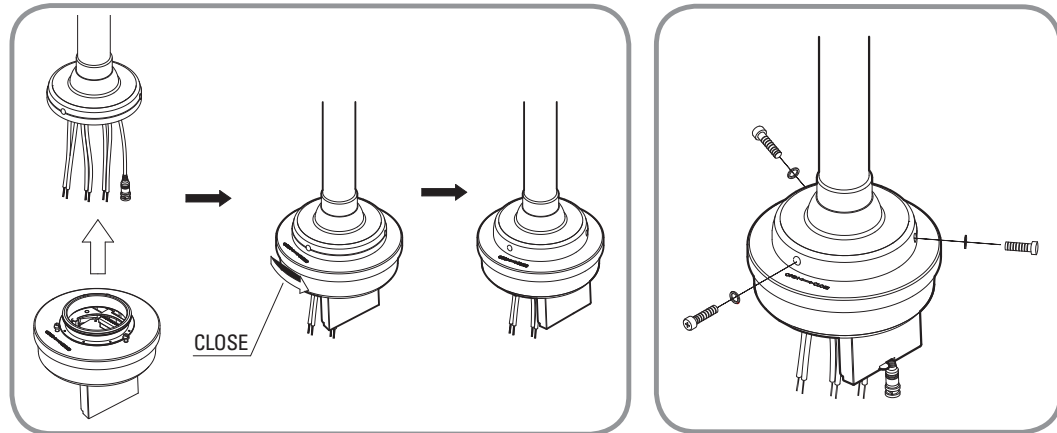
2. Opening Hinged Door

Open the hinged door at the bottom of the housing. Hold the knob on the hinged door to open.



3. Assembling Mount and Flange

First hook the safety cable on the mount, and then fit the housing into the fixture groove on the bracket as shown in the picture. Once the housing is safely attached to the bracket, secure the housing with the enclosed screws.



Pendant Type Installation

STH-380P0/370P0/370P1/360P0

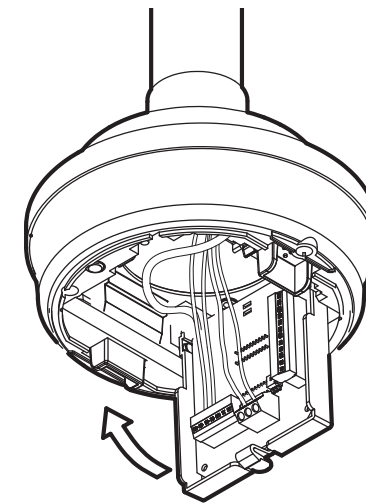


Notes

- Do not connect the camera to a power outlet until the installation is complete. Supplying power in the middle of the installation may cause fire or damage the product.

4. Wiring Terminal Cables

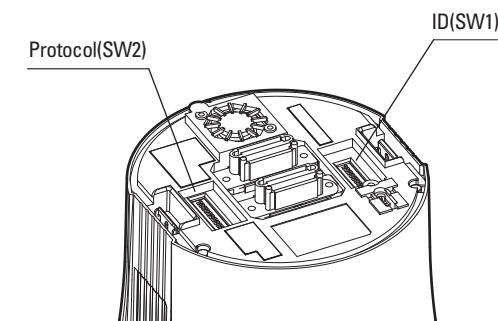
Connect the cables to the terminal block on the hinged door. Once the wiring is successful, close the hinged door.



* For the location of the wiring pins, please refer to the "Camera Wiring Diagram" on Page 12.

5. Setting Up Camera DIP Switches

DIP switches for communication and ID protocols are located on the bottom of the camera. For the switch settings, refer to the appendix of this manual.



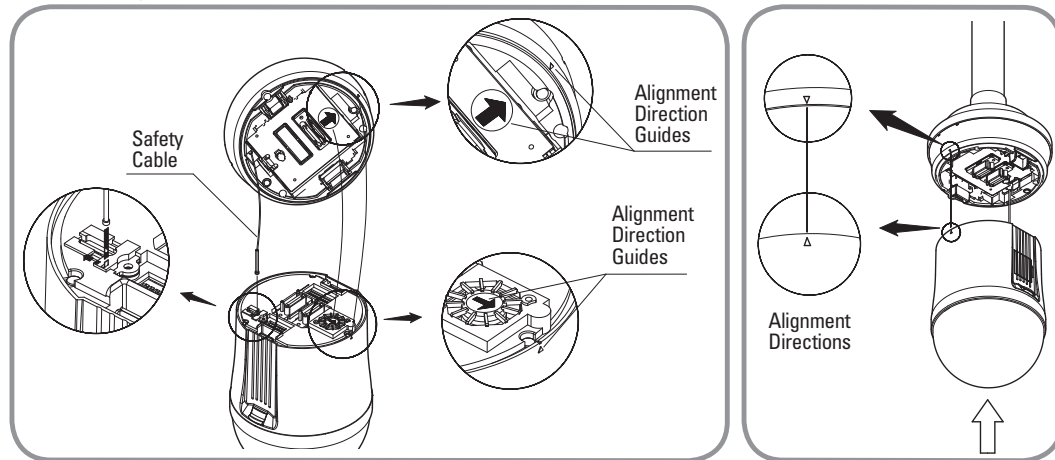
Pendant Type Installation

On-Ceiling Mount Type Installation

STH-380P0/370P0/370P1/360P0

6. Attaching Camera

Carefully attach the camera to the mount following the alignment guide marks as shown in the picture. First hook the camera's safety cable on the mount, and then attach the camera. The safety cable is coiled inside the install base. As shown in the leftward picture, pull out the safety cable from the install base and then hook it to the mount.



* To attach the camera to the mount, refer to the alignment guide marks as shown in the picture.

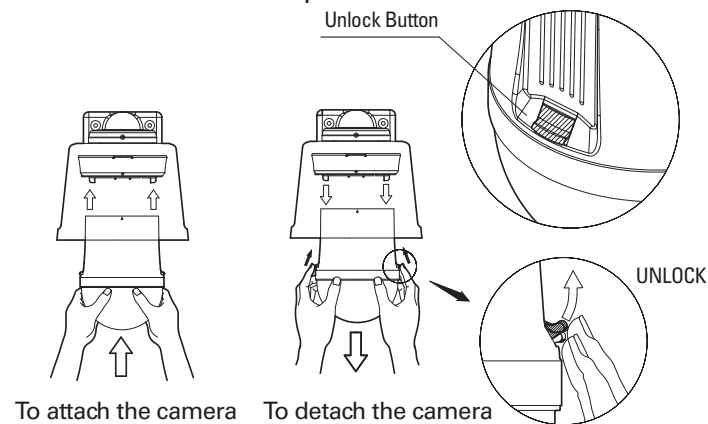
Notes

- Make sure to first hook the camera's safety cable to the mount before proceeding. Otherwise you may be exposed to serious injury caused by a fallen camera.

* To attach or detach the camera, refer to the picture.

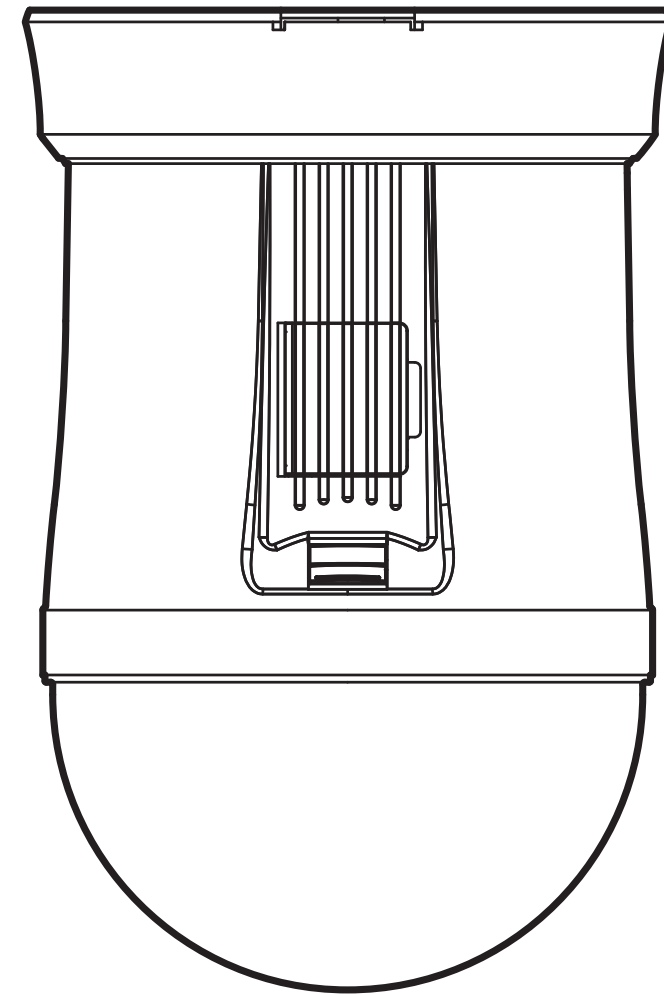
* Attaching the camera: Hold up the camera and push it to the mount as shown in the picture. Push the camera until you hear a "click".

* Detaching the camera: To detach the camera, pull the camera downward while pushing the unlock buttons on the camera upward.



4. On-Ceiling Mount Type Installation

This guideline is based on the installation of the indoor flange STB-370PC.



STB-370PC

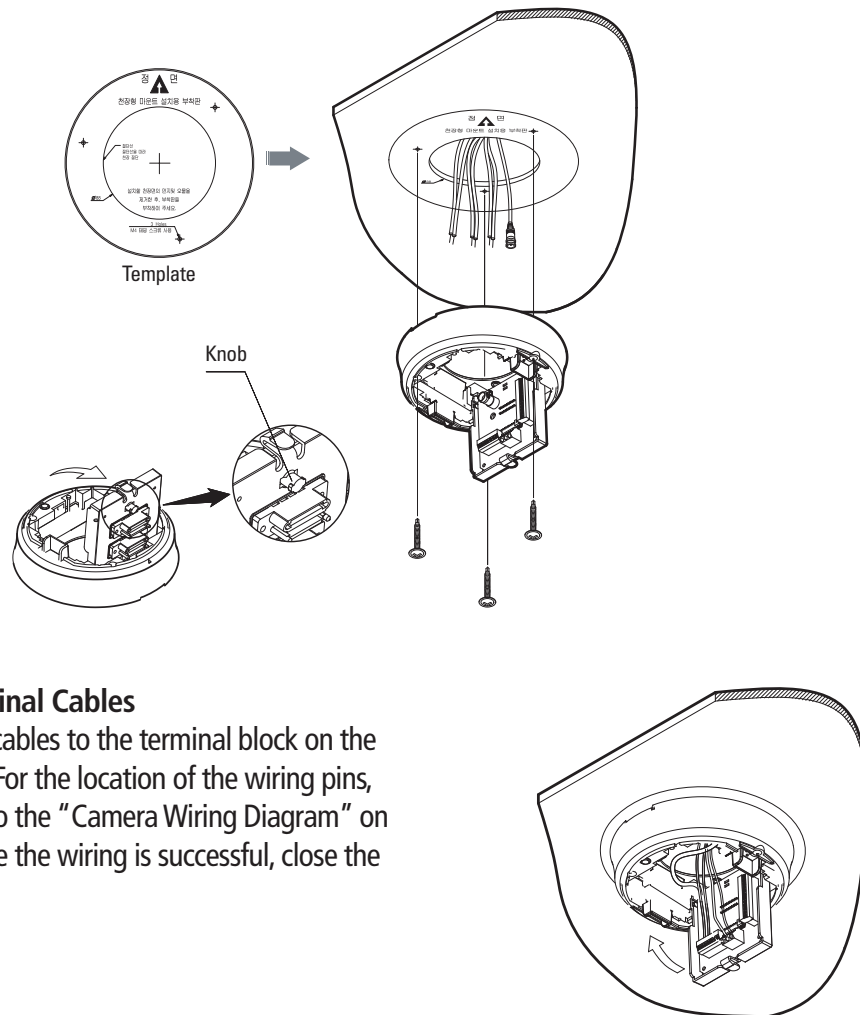
STB-370PC

On-Ceiling Mount Type Installation

On-Ceiling Mount Type Installation

1. Attaching Template and Installing STB-370PC

Attach the enclosed template to the ceiling, then drill a hole in the ceiling according to the diameter marked on the template. Drop the camera cables down from the ceiling through the hole. Next, install the Install Base STB-370PC to the ceiling as shown in the picture. Before installing the exposed bracket, open the hinged door at the bottom of the bracket as shown in the picture. Hold the knob on the hinged door to open.



2. Wiring Terminal Cables

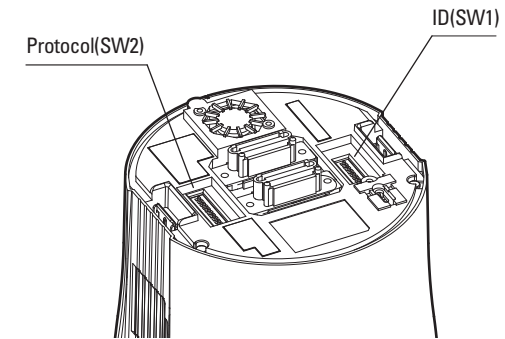
Connect the cables to the terminal block on the hinged door. For the location of the wiring pins, please refer to the "Camera Wiring Diagram" on Page 12. Once the wiring is successful, close the hinged door.

Notes

- Do not connect the camera to a power outlet until the installation is complete. Supplying power in the middle of the installation may cause fire or damage the product.

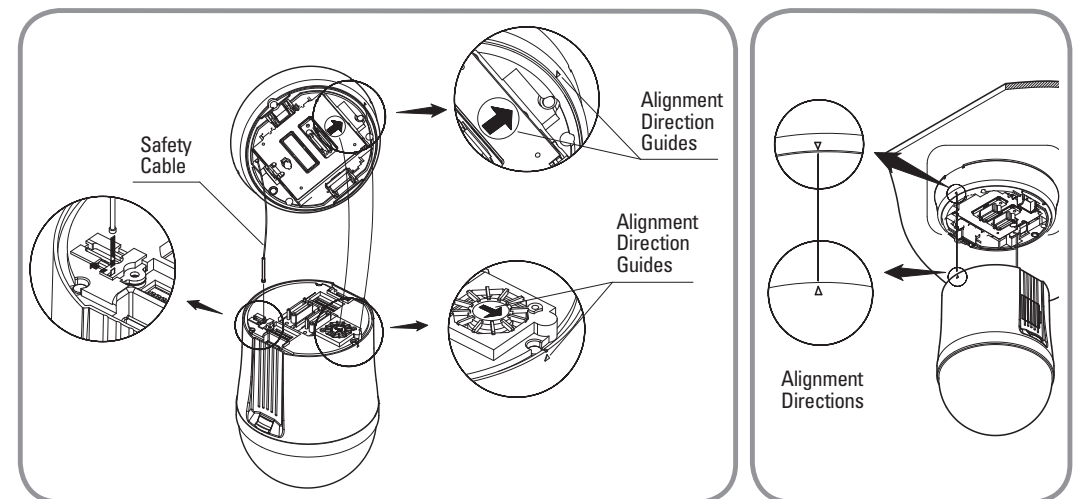
3. Setting Up Camera DIP Switches

DIP switches for communication and ID protocols are located on the bottom of the camera. For the switch settings, refer to the appendix of this manual.



5. Connecting Camera Safety Cable and Attaching Camera

Carefully attach the camera to the mount following the alignment guide marks as shown in the picture. First hook the camera's safety cable on the mount, and then attach the camera. The safety cable is coiled inside the install base. As shown in the leftward picture, pull out the safety cable from the install base and then hook it to the mount.



* To attach the camera to the mount, refer to the alignment guide marks as shown in the picture.

Notes

- Make sure to first hook the camera's safety cable to the mount before proceeding. Otherwise you may be exposed to serious injury caused by a fallen camera.

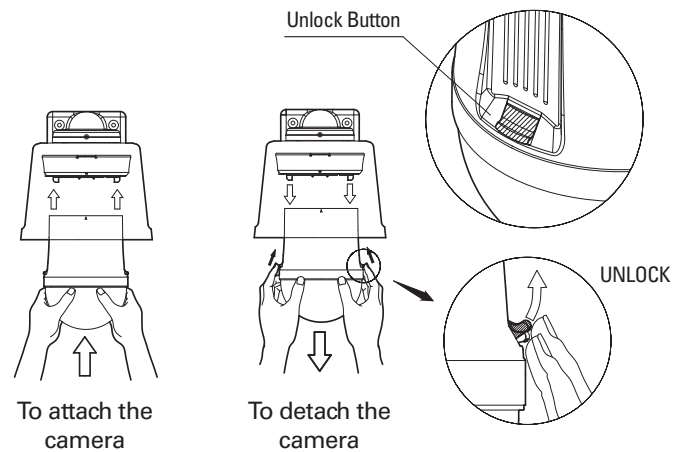
On-Ceiling Mount Type Installation

Indoor Flush Mount Type Installation

* To attach or detach the camera, refer to the picture.

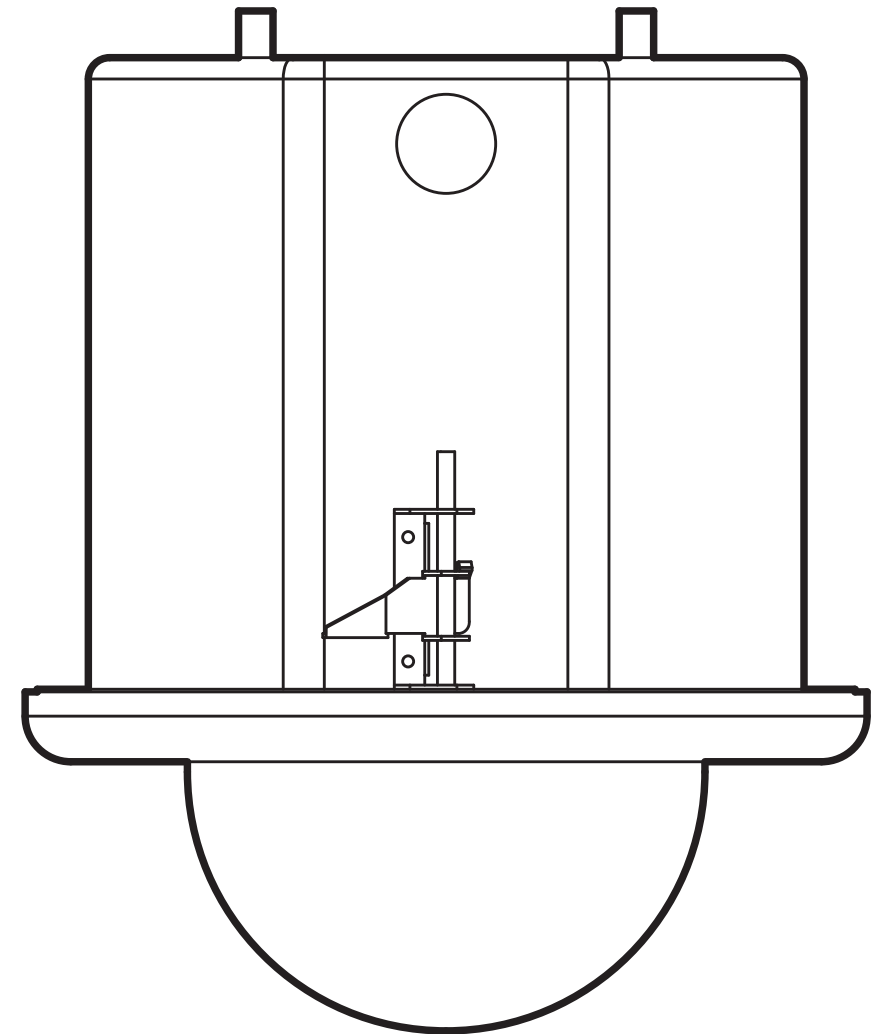
* Attaching the camera: Hold up the camera and push it to the mount as shown in the picture. Push the camera until you hear a "click".

* Detaching the camera: To detach the camera, pull the camera downward while pushing the unlock buttons on the camera upward.



■ 5. Indoor Flush Mount Type Installation

This guideline is based on the installation of the flush mount STH-370PE.



STB-370PC

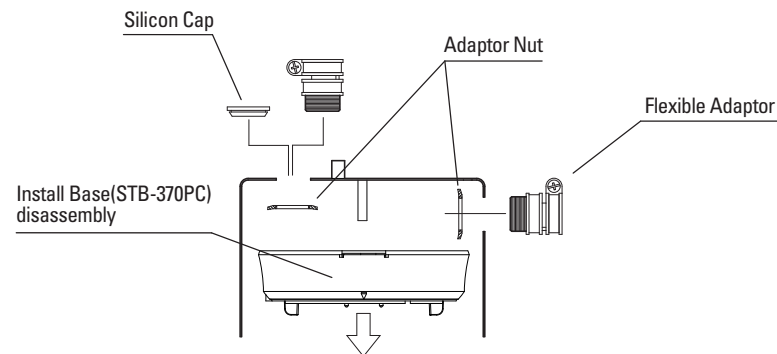
STH-370PE

Indoor Flush Mount Type Installation

Indoor Flush Mount Type Installation

1. Attaching Flexible Adaptor

To feed the cables through a pipe to a flush housing, attach the flexible adaptor enclosed with the product. To attach the flexible adaptor, the install base must be disassembled as shown in the picture. To disassemble the install base, unscrew the 3 screws on the bottom.

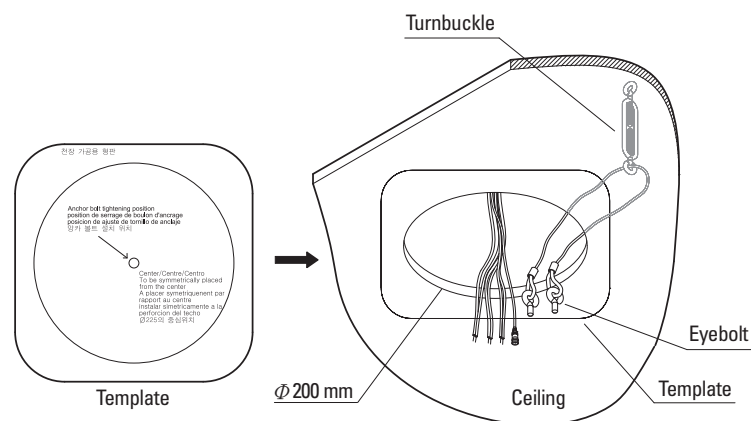


2. Attaching Template

Attach the enclosed template to a desired location on the ceiling. Drill 3 holes of 50 mm diameter in 120-degree intervals following the marks on the template, and then drill one 200 mm hole in the center of the template.

3. Wiring and Arranging Anti-fall Eyebolts

Attach the enclosed turnbuckle and eyebolts inside the ceiling, and then drop the camera cables down from the ceiling through the hole.

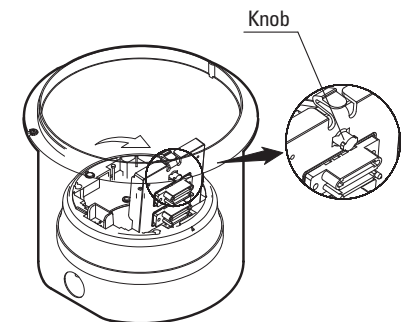


Notes

- Do not connect the camera to a power outlet until the installation is complete. Supplying power in the middle of the installation may cause fire or damage the product.

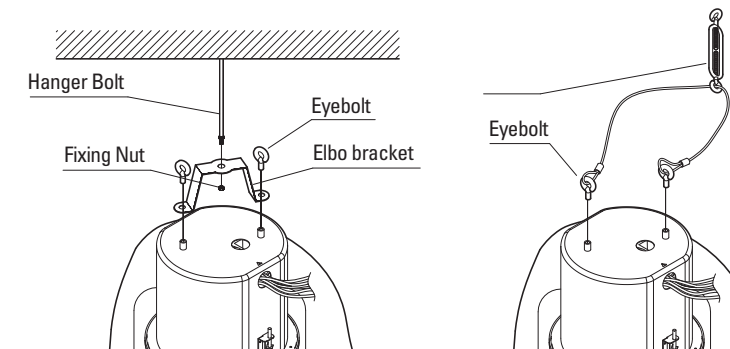
4. Preparing Housing

Open the hinged door at the bottom of the housing. While pressing the spring lock (1), hold up the lid to open (2).



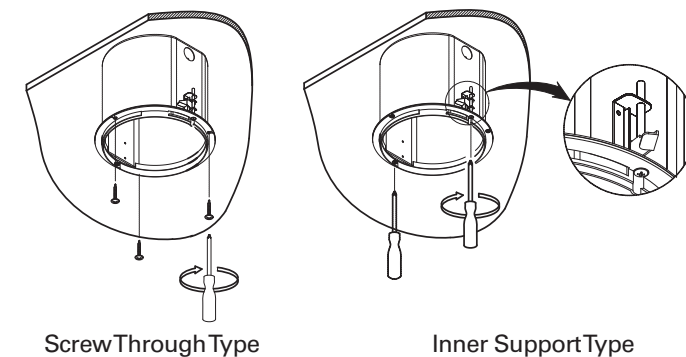
5. Inserting the flush housing

Arrange the cables and eyebolts as shown in the picture, and then insert the housing into the ceiling hole.



6. Securing Screws or Internal Supports

Two fixture methods are available for the flush mount: screw through or inner support. Depending on the situation, select one of the two methods. The inner support method unfolds the supports inside the mount when 3 screws on the mount surface are fastened.



Indoor Flush Mount Type Installation

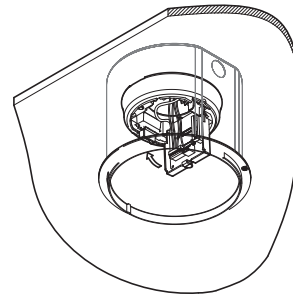
Indoor Flush Mount Type Installation

7. Arranging Camera Cables and Closing Hinged Door

Connect the cables to the terminal block on the hinged door.

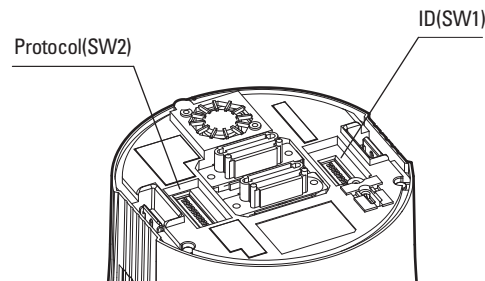
For the location of the wiring pins, please refer to the "Camera Wiring Diagram" on Page 12.

Once the wiring is successful, close the hinged door.



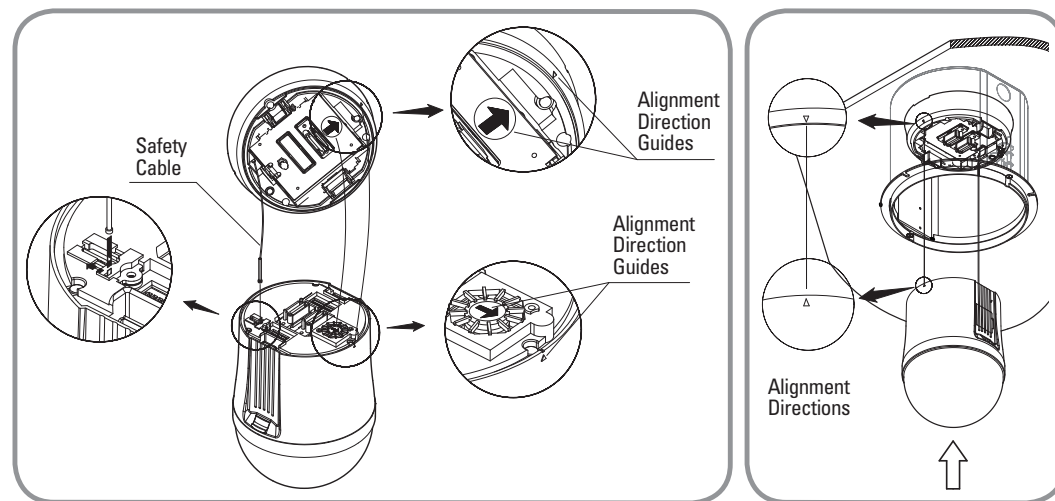
8. Setting Up Camera DIP Switches

DIP switches for communication and ID protocols are located on the bottom of the camera. For the switch settings, refer to the appendix of this manual.



9. Attaching Camera

Carefully attach the camera to the mount following the alignment guide marks as shown in the picture. First hook the camera's safety cable on the mount, and then attach the camera. The safety cable is coiled inside the install base. As shown in the leftward picture, pull out the safety cable from the install base and then hook it to the mount.



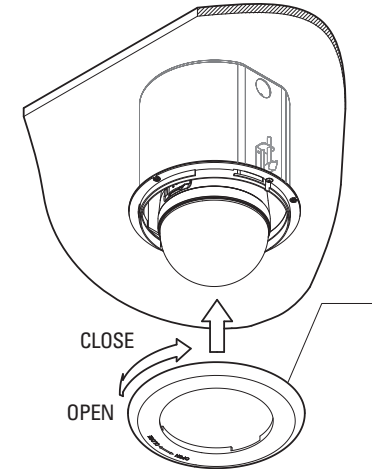
* To attach the camera to the mount, refer to the alignment guide marks as shown in the picture.

Notes

- Make sure to first hook the camera's safety cable to the mount before proceeding. Otherwise you may be exposed to serious injury caused by a fallen camera.

10. Assembling Dome Cover

Once the camera is successfully attached, secure the mount with the transparent dome cover.



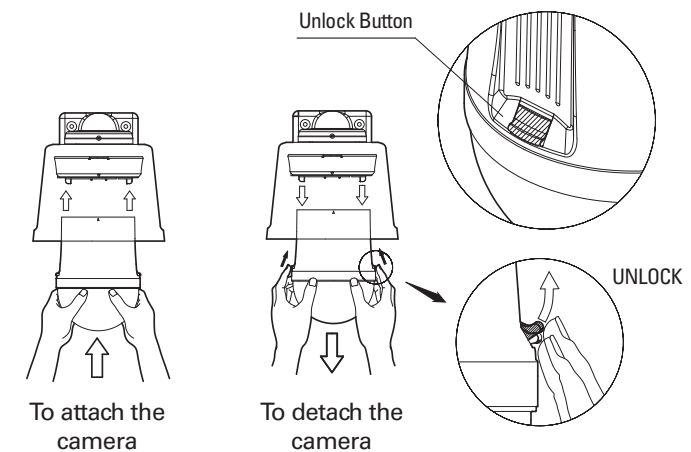
Notes

- Be careful to not scratch the transparent cover during the assembly. Scratched dome covers may decrease the graphics quality and overall performance of the camera.

* To attach or detach the camera, refer to the picture.

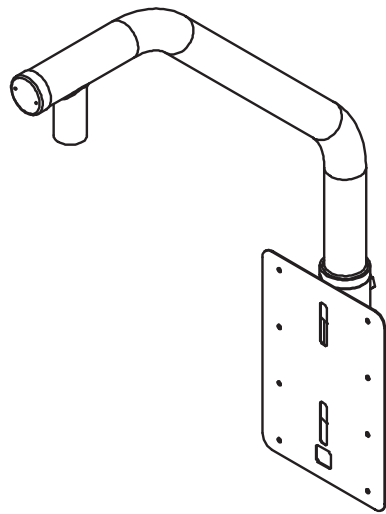
* Attaching the camera: Hold up the camera and push it to the mount as shown in the picture. Push the camera until you hear a "click".

* Detaching the camera: To detach the camera, pull the camera downward while pushing the unlock buttons on the camera upward.

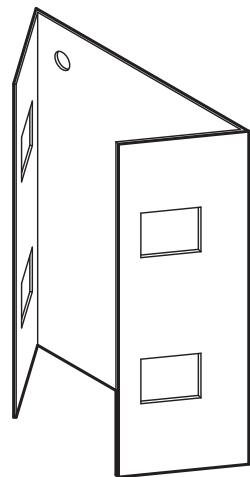


6. Mounting Accessory Installation

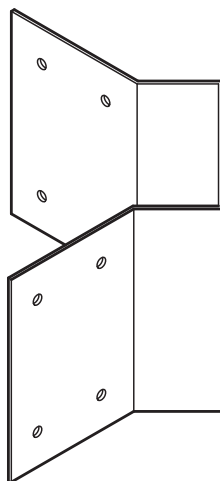
This guideline is to be used for the installation of mounting accessories for the Samsung Speed Dome Camera series.



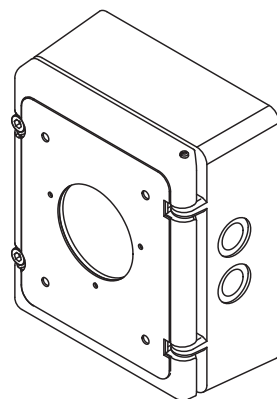
STB-350PPM



STB-330PPM



STB-340PCM

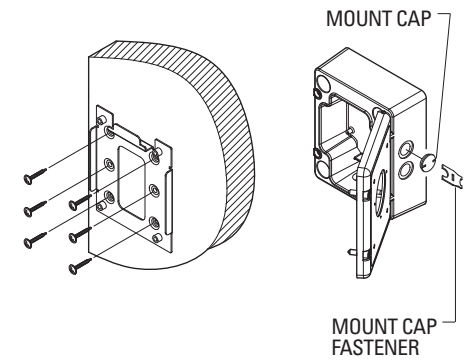


STB-270B

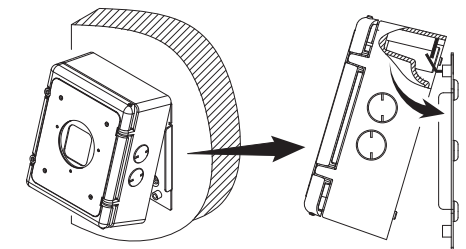
STH-370PE

STB-270B(Setup Box)

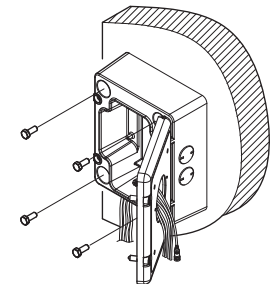
1. Using self drilling screws, secure the install bracket.
2. Fill unwanted wire holes with mount caps. Secure the mount cap with the mount cap fastener.



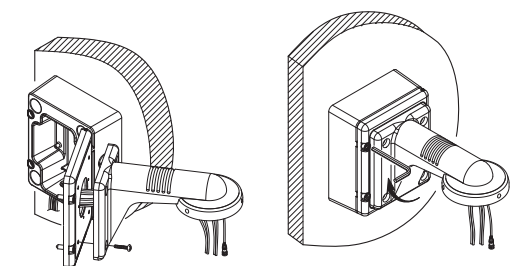
3. Place the setup box on the install bracket as shown in the picture.



4. Using hexagon bolts, fasten the setup box to the bracket. Next feed the camera cables into the setup box through the hole in the cover.

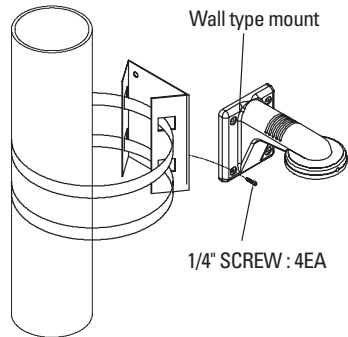


5. Feed the camera cables through the wall bracket and secure the bracket using 4 screws.
6. Lastly, fasten the screws using a hexagon wrench to secure the bracket to the setup box.



■ STB-330PPM (Paul Mount)

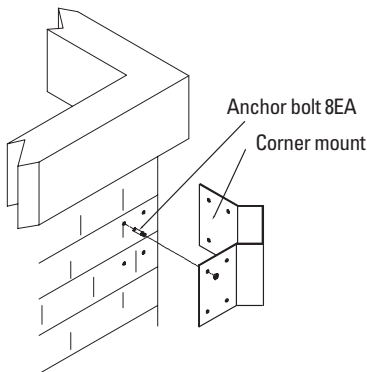
Compatible Models : STB-270PWV+STH-380PO/370PO/360PO/370PI



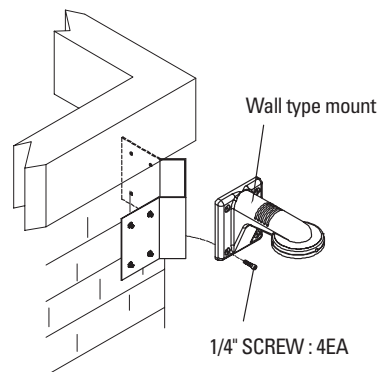
1. Secure the pole to the mount using a wire or cable.
2. Use 4 1/4" screws to secure the STH-270PWV pole mount to the wall.

■ STB-340PCM (Corner Mount)

Compatible Models : STB-270PWV+STH-380PO/370PO/360PO/370PI



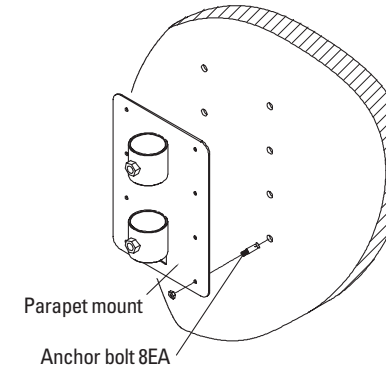
1. Drill 8 anchor bolt holes on the wall according to the holes in the corner mount.
2. Using a tool, insert anchor bolts and then set the corner mount on the bolts. Use 8 nuts to fasten the bolts.



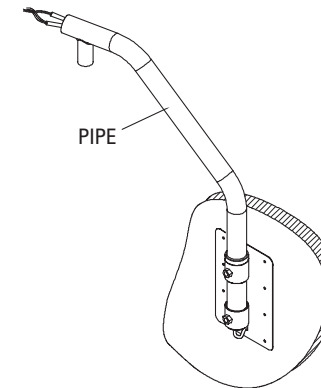
3. Use 1/4" screws to secure the STH-270PWV to the corner.

■ STB-350PPM (Parapet Mount)

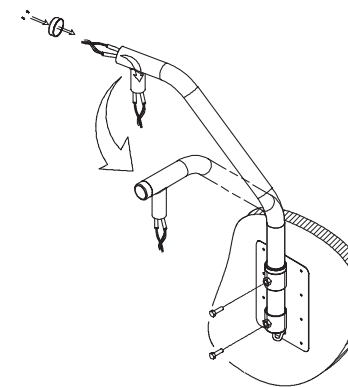
Compatible Models : STB-30PF+STH-380PO/370PO/360PO/370PI



1. Drill 8 anchor bolt holes on the wall according to the holes in the parapet mount.
2. Using a tool, insert anchor bolts and then set the parapet mount on the bolts. Use 8 nuts to fasten the bolts.



3. Feed the cable through the pipe to the other end of the pipe.
4. Set PPE on the parapet mount.



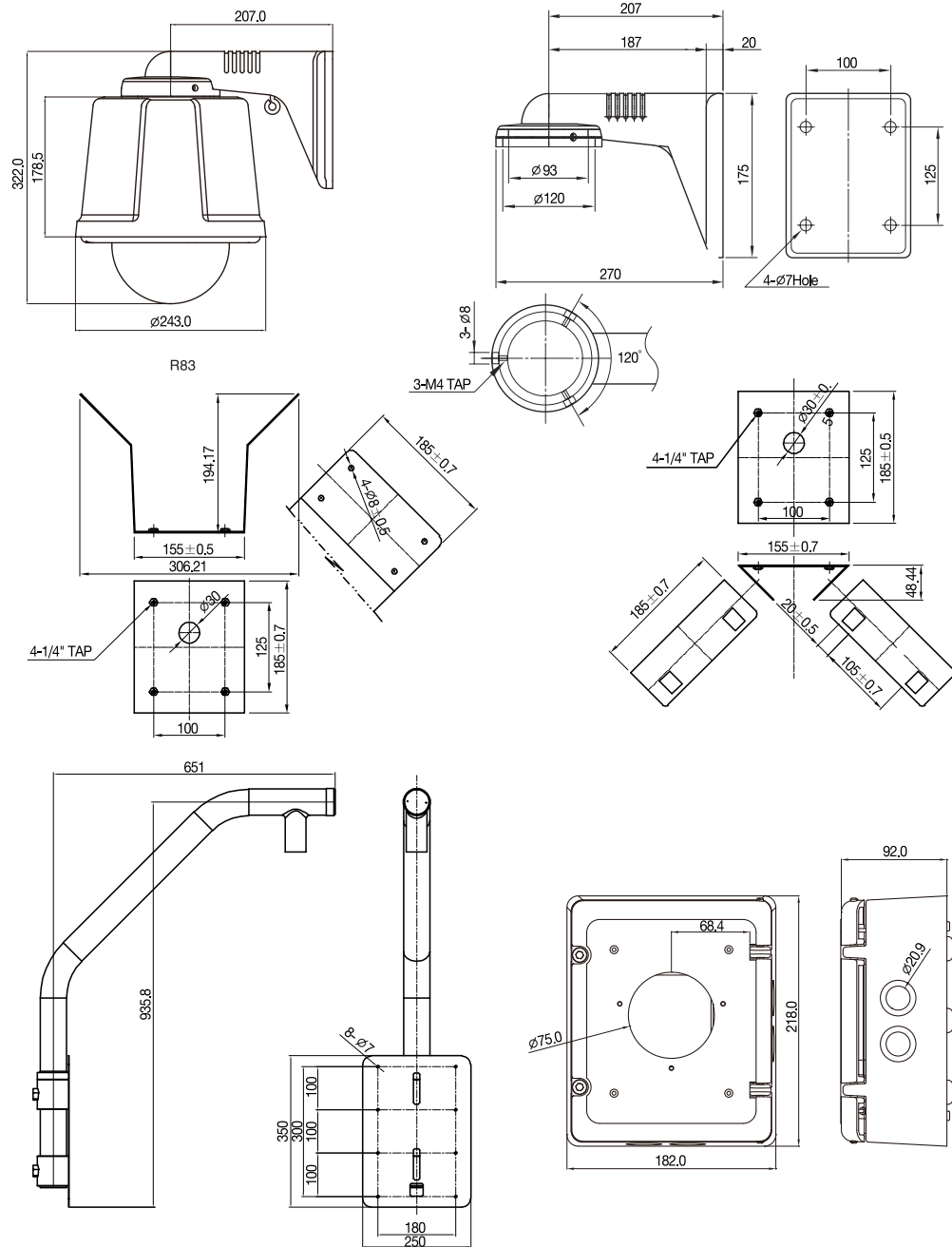
5. Wind the cable to the direction shown in the picture, and then assemble the PPE cover using screws.
6. Adjust the pipe direction, and then secure the pipe using screws.
7. Install the camera.

Product External Dimensions

Product External Dimensions

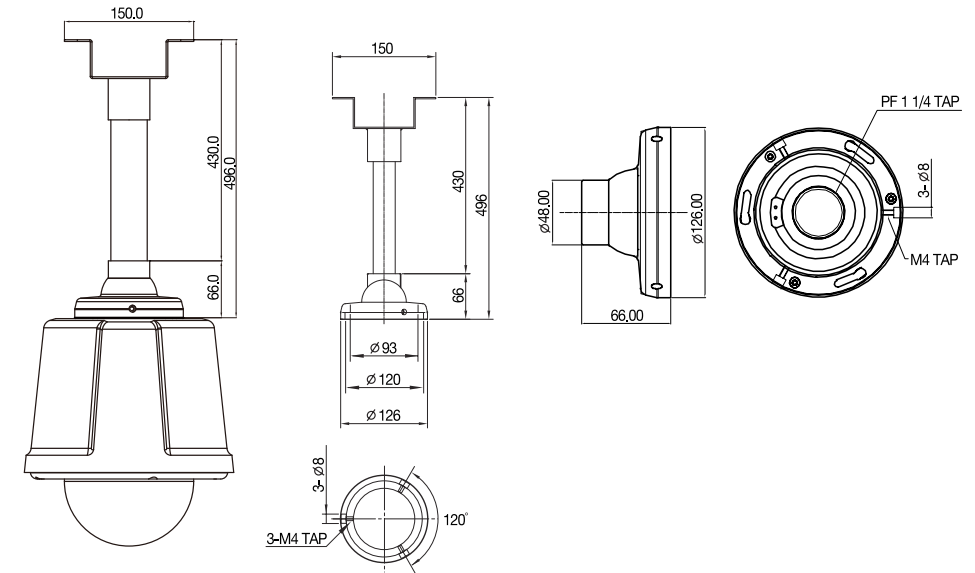
Wall Mounting

Unit : mm



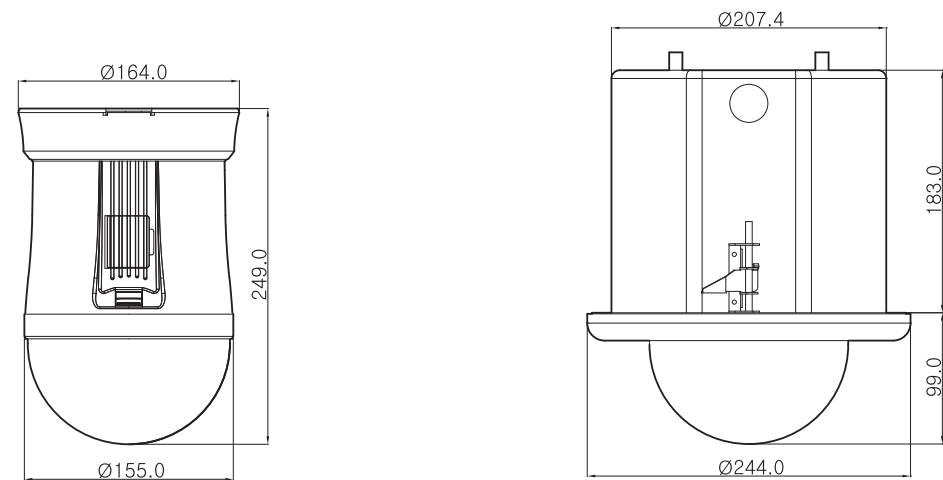
Ceiling Mounting

Unit : mm



Ceiling Exposed Mounting

Indoor Flush Mounting



Product Specifications

Model Item	STH-380PO		STH-370PO		STH-370PI		STH-370PE		STH-360PO	
Operating Temperature Range	-40°C~50°C		-20°C~50°C		-10°C~50°C		-10°C~50°C		-20°C~50°C	
Humidity	0 to 90%RH		0 to 90%RH		0 to 90%RH (non-condensing)		1 to 90%RH (non-condensing)		0 to 90%RH	
Materials	Housing Outdoor	ALDC 12	Housing Outdoor	ALDC 12	Housing Outdoor	ALDC 12	Embedded Housing	E.G.I (1.2t)	Housing Outdoor	AL
	Ring Decoration	ALDC 12	Ring Decoration	ALDC 12	Ring Decoration	ALDC 12	Ring Decoration	ABS	Ring Decoration	ALDC 12
	Dome Cover	Poly Carbonate	Dome Cover	Poly Carbonate	Dome Cover	Poly Carbonate			Dome Cover	Poly Carbonate
Components (mm)	-	-	-	-	-	-	SAFETY WIRE (1EA)	SUS (∅ 1.2x 2000)	-	-
	-	-	-	-	-	-	Turn Buckle(1EA)	Eye Bolt 2EA	-	-
	-	-	-	-	-	-	WIRE JOINT(4EA)	-	-	-
	-	-	-	-	-	-	Silicon cap(1EA)	-	-	-
Miscellaneous	Fan(2EA)	DC12V 0.06A Operating Temp More than 45°C Less than 10°C	Fan(2EA)	DC12V 0.06A Operating Temp More than 45°C Less than 10°C	-	-	-	-	Fan(1EA)	DC12V 0.06A Operating Temp More than 45°C Less than 10°C
	Heater	AC 24V 46W Operating Temp less than 10°C	Heater	AC 24V 33W Operating Temp less than 10°C	-	-	-	-	Heater	AC 24V 33W Operating Temp less than 10°C
Antivibration/ Waterproof	IP 67		IP 67		IP 67		-		IP 66	
Weight (Net)	3.2kg		3.2kg		3.2kg		740g		2.1kg	
Weight (Gross)	4.2kg		4.2kg		4.1kg		1.2kg		3.2kg	
Dimensions (mm)	∅ 242x284.5		∅ 242x284.5		∅ 242x284.5		∅ 190x188.5		∅ 242x284.5	

Product Specifications

Model Item	STH-270PWV		STB-496PPV		STB-370PC		STB-25PF		STB-270B	
Operating Temperature Range	-40°C~50°C		-40°C~50°C		-10°C~50°C		-10°C~50°C		-40°C~50°C	
Humidity	0 to 90%RH (non-condensing)		0 to 90%RH (non-condensing)		0 to 90%RH (non-condensing)		0 to 90%RH (non-condensing)		1 to 90%RH (non-condensing)	
Materials Components (mm)	Wall Type Mount	ALDC 12	Ceiling Flange	ALDC 12	On-Ceiling Installation	ALDC12	Housing Flange	E.G.I 2.0t	DOOR FRONT	ALDC 12
			Ceiling Pipe	SPPS32A /SCH 40	COVER	PC+ABS	Adaptor Housing	AL	BASE HOUSING	ALDC 12
	Ceiling Bracket	E.G.I. 2.0t	Ceiling Bracket	E.G.I. 2.0t	COVER	PC+ABS	Ceiling Support	SUS	INSTALL BRACKET	C.R.2.0t
			Ceiling Plate	SPCC					JOINT MOUNT	1EA
Miscellaneous	Screw (4EA)	Self Drilling Screw #8xL38 (FZY)	Screw (4EA)	Self Drilling Screw #8xL38 (FZY)	Screw (3EA)	BH MS M3xL6	Screw (3EA)	PH MS M4x8 SUS	MOUNT CAP	5EA
	Screw (3EA)	PH MS M4xL14	Screw (3EA)	PH MS M4xL14					Hexagon Bolt	4EA
Antivibration/ Waterproof									Screw (6EA)	#8x38 (FZY)
Weight (Net)	-		-		-		-		-	
Weight (Gross)	1.3kg		1.8kg		935g		420g		3kg	
Dimensions (mm)	1.3kg		2kg		1.4kg		490g		3.3kg	
Operating Temperature Range	270x175x140		150x496		∅ 183x48.5		183x37		218x182x92.5	

Model Item	STB-30PF		STB-340PCM		STB-330PPM		STB-350PPM	
Operating Temperature Range	-40°C~50°C		-40°C~50°C		-40°C~50°C		-40°C~50°C	
Humidity	0 to 90%RH (non-condensing)		0 to 90%RH (non-condensing)		0 to 90%RH (non-condensing)		0 to 90%RH (non-condensing)	
Materials Components (mm)	Ceiling Flange	ALDC 12	Corner Bracket	SPCC	Pole Bracket	SPCC	Parapet Pipe	PF 1 1/4 (32A)
	Ceiling Bracket	E.G.I. 2.0t						Parapet Plate
							Pipe Cover	SUS
Miscellaneous	Screw (3EA)	PH MS M4xL14	Screw (4EA)	1/4"	Screw (4EA)	1/4"	Set Anchor-6 (8EA)	1/4"
			Set Anchor-6 (8EA)	1/4"			Screw (2EA)	M16x20(SUS)
Antivibration/ Waterproof							Screw (2EA)	PH MS M13x10(SUS)
Weight (Net)	-		-		-		-	
Weight (Gross)	380g		1.3kg		580g		8kg	
Dimensions (mm)								
Operating Temperature Range	126x66		306x194x185		185x155x48		680x930x63	

MEMO

MEMO

SAMSUNG TECHWIN

The Samsung logo, consisting of the word "SAMSUNG" in white, bold, uppercase letters inside a black, horizontally-oriented oval.

SALES NETWORK

• **SAMSUNG TECHWIN CO.,LTD.**

145-3, Sangdaewon-dong, Jungwon-gu, Seongnam-si, Gyeonggi-do, 462-120, Korea
TEL : +82-31-740-8151~8 FAX : +82-31-740-8145

• **SAMSUNG TECHWIN AMERICA,LTD.**

1480 Charles Willard St. Carson, CA 90746, UNITED STATES
TEL : +1-310-632-1234 FAX : +1-310-632-2195

• **SAMSUNG OPTO-ELECTRONICS UK,LTD.**

Samsung House, 1000 Hillswood Drive, Hillswood Business Park
Chertsey Surrey KT16 OPS
TEL : +44-1932-45-5308 FAX : +44-1932-45-5325

www.samsungtechwin.com
www.samsungcctv.com

VAN 08. 12

Free Manuals Download Website

<http://myh66.com>

<http://usermanuals.us>

<http://www.somanuals.com>

<http://www.4manuals.cc>

<http://www.manual-lib.com>

<http://www.404manual.com>

<http://www.luxmanual.com>

<http://aubethermostatmanual.com>

Golf course search by state

<http://golfingnear.com>

Email search by domain

<http://emailbydomain.com>

Auto manuals search

<http://auto.somanuals.com>

TV manuals search

<http://tv.somanuals.com>