

SAMSUNG TECHWIN

SAMSUNG

SALES NETWORK

• SAMSUNG TECHWIN CO., LTD.

145-3, Sangdaewon-dong, Jungwon-gu, Seongnam-si, Gyeonggi-do, 462-120, Korea
TEL : +82-31-740-8151~8158 FAX : +82-31-740-8145

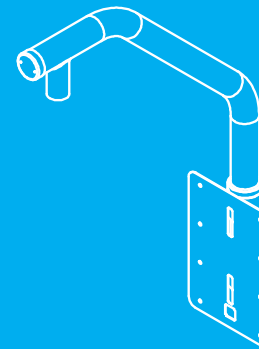
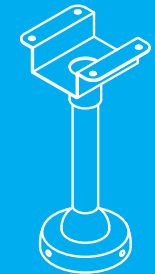
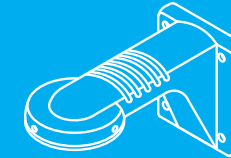
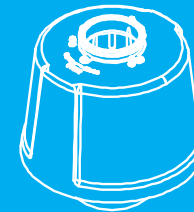
• SAMSUNG OPTO-ELECTRONICS UK, LTD.

Samsung House, 1000 Hillswood Drive, Hillswood Business Park Chertsey, Surrey KT16 0PS
TEL : +44-1932-45-5308 FAX : +44-1932-45-5325

www.samsungtechwin.com
www.samsungcctv.com

SAMSUNG

- Before attempting to operate this product, please read the instructions carefully.



SPEED DOME CAMERA ACCESSORIES

USER'S MANUAL

STH-1000PO/STB-30PF
STH270PW/STB-496PPV
STB-350PPM/STB-330PPM
STB-340PCM



Samsung Techwin cares for the environment at all product manufacturing stages to preserve the environment, and is taking a number of steps to provide customers with more environment-friendly products. The Eco mark represents Samsung Techwin's will to create environment-friendly products, and indicates that the product satisfies the EU RoHS Directive.

Thank you for purchasing our products.

This product is to be used for the installation of the Samsung 10x optical zoom Speed Dome Camera series.

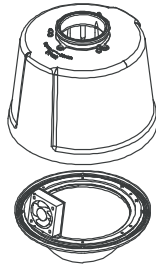
Before application, please read the user s manual carefully.

- ▶ Note that you need to read carefully all contents related to safety and application methods before application.
- ▶ When using the product, the precautions/warnings, usage directions, operating methods, and instructions must all be observed.
- ▶ The power and cable connections should be made by a product installation specialist.
- ▶ Do not connect and use these accessories to products other than the Samsung Speed Dome Camera Series.
- ▶ The locations for installing the Accessory housing should be strong enough to fully secure the accessories, and all installations need to be carried out by experienced engineers.
- ▶ Do not use it for purposes other than for the installation mentioned above.

Cautions and Warnings for Use	2
Product Category	4
Installation Guide	6
Component Name	13
External Dimensions	15
Specification	17

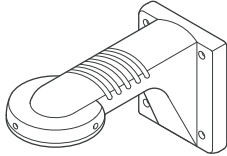
STH-1000PO

: "Outdoor Housing" for the Samsung Speed Dome Camera.



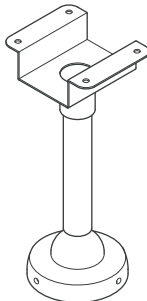
STB-270PWV

: This "Wall Type Mount" is used for the installation of indoor or outdoor housing (STH-330POV / STH-330PIV / STH-320PO) of Samsung Speed Dome Camera.



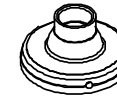
STB-496PPV

: This "Ceiling Type Mount" is used for the installation of indoor or outdoor housing (STH-330POV / STH-330PIV / STH-320PO) of Samsung Speed Dome Camera.



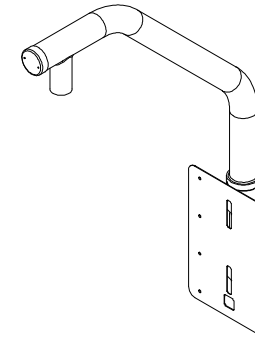
STB-30PF

: It is the "Ceiling Flange" for Samsung Speed Dome cameras.



STB-350PPM

: It is the "Parapet mount" used to install the indoor/outdoor housing for Samsung Speed Dome cameras.



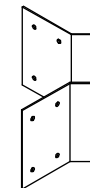
STB-330PPM

: It is the "Paul Mount" for Samsung Speed Dome cameras.



STB-340PCM

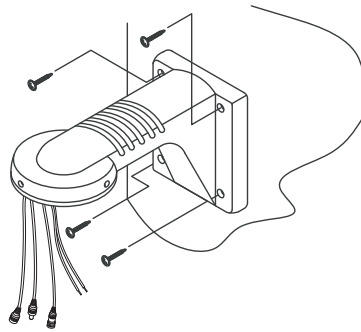
: It is the "Coner mount" for Samsung Speed Dome cameras.



Installation Guide

■ STH-1000PO (Outdoor Housing)

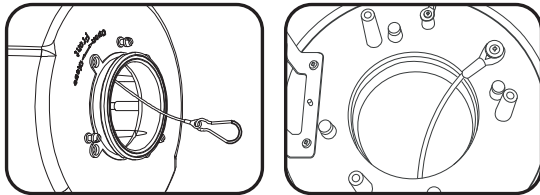
1. Using the four screws that are enclosed, fix the STH-270PWV wall mount onto the wall on the right hand side of where the speed dome camera is to be installed.



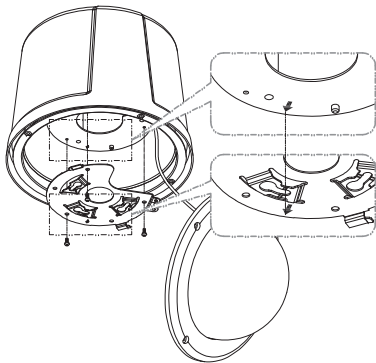
Cautions

- Pull the connection cable out of the wall type mount through the hole in advance.

2. Pull the safety cable that is fixed to the housing outside of the housing.

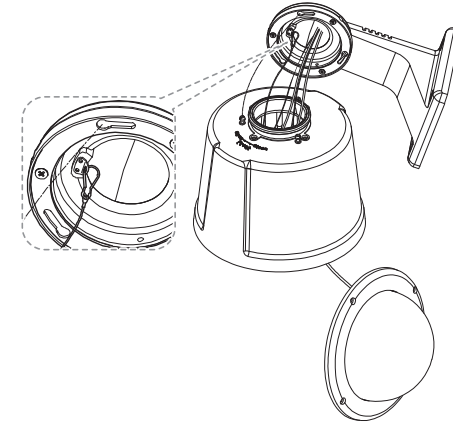


3. Before installing the product on the mount, open the dome cover for the housing of the outdoor speed dome and align the direction of the arrow for the camera holder with the housing base, then fix it using the screws enclosed.



Installation Guide

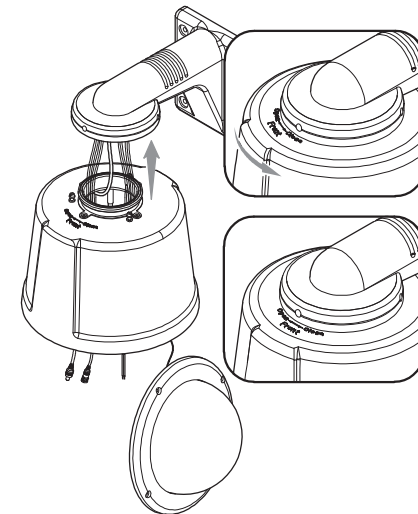
4. Connect the safety cable from the housing to the internal fixture ring of the STH-270PWV wall mount.



Cautions

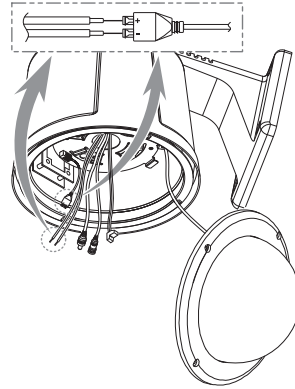
- Check the the safety cablesafety cable connection. If the safety cable is not connected, it may cause injury or damage to the product.

5. Insert the cable into the housing and fit the housing into the internal groove of the wall mount, making sure that the Samsung logo is facing the front.

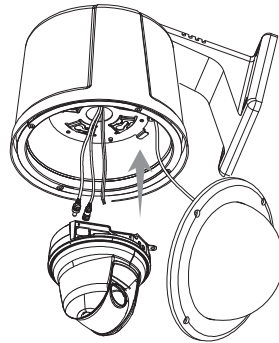


Installation Guide

6. Connect the AC 24V power cable to the fan heater PCB cable terminal.



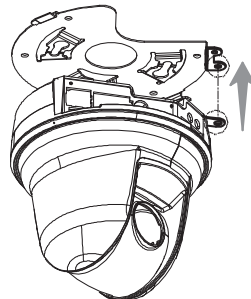
7. Connect the video cable, the controller cable, the camera power adapter cable and the ID setting cable to the speed dome camera.



Cautions

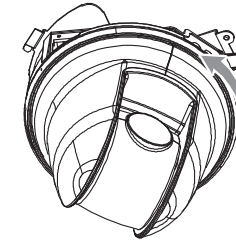
- Before installing the outdoor housing on the wall mount, set the camera ID, the terminating resistance and the protocol selection switch.

8. Install the speed dome camera on its holder in the housing, and make sure that it is facing in the right direction. (When installing the camera, push the cables into the empty space of the housing to make sure that the cables are not pinched.)

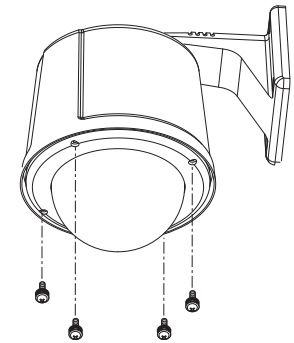


Installation Guide

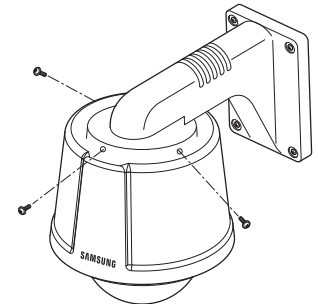
9. Assemble the speed dome by turning it in the direction of the arrow.



10. Install the dome cover for the speed dome's outdoor housing.



11. Make sure that all the devices are connected correctly to the camera and then check the functions of the camera. If there are no problems, affix the housing onto the wall mount using the three screws.

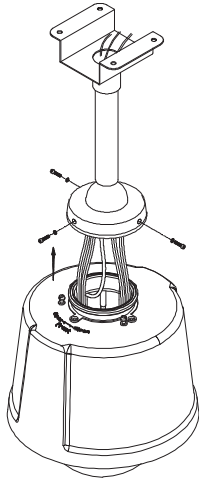


Cautions

- Check out the input voltage of the power adapter before connecting the power.
- It is necessary to tighten the screw to prevent unfastening.
- If the screw to prevent unfastening is not tight, the camera installed may fall due to vibration or shock from the environment.
- Set up the Camera ID, the Termination Resistance and the Protocol Selection Switch before installing the outdoor housing on the ceiling type mount.

■ STB-496PP (Ceiling Type Mount)

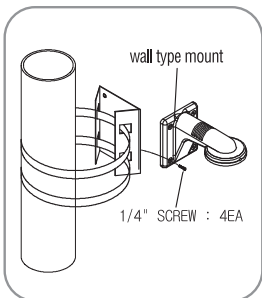
1. Fix the ceiling type mount STB-496PPV at the desired installation location on the ceiling using 4 screws.
2. The remaining installation methods are the same as those for indoor/outdoor housing.



■ STB-30PF (Ceiling Flange)

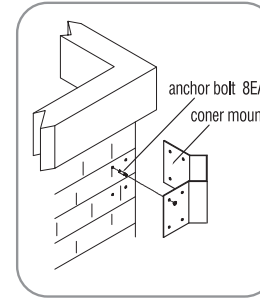
1. The installation method for the ceiling type flange STB-30PF is the same as for the ceiling type mount. The use of a separate pipe and ceiling bracket is optional.

■ STB-330PPM (Paul Mount)

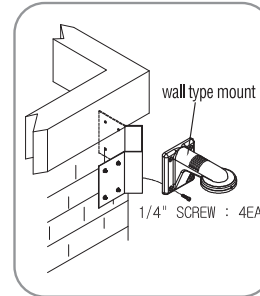


1. Fix the paul mount by using wires.
2. Fix the wall type mount(STB-270PWV) with four 1/4 inch screws.

■ STB-340PCM (Coner Mount)

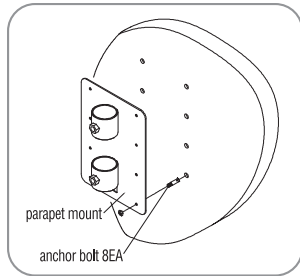


1. Drill holes in the wall to insert anchor bolts with spaces between the holes in the wall matching those in the corner mount.
2. Insert the anchor bolts into the holes using a tool. Place the corner mount through the anchor bolts. Fix the corner mount by fastening the 8 nuts.

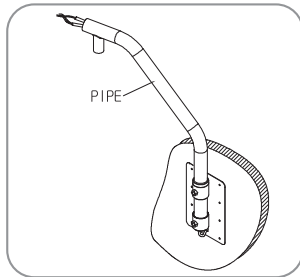


3. Fix the wall type mount(STB-270PWV) with four 1/4 inch screws.

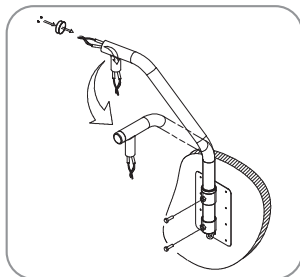
■ STB-350PPM (Parapet Mount)



1. Drill holes in the wall to insert anchor bolts with spaces between the holes in the wall matching those in the corner mount.
2. Insert the anchor bolts into the holes using a tool. Place the corner mount through the anchor bolts. Fix the corner mount by fastening the 8 nuts.

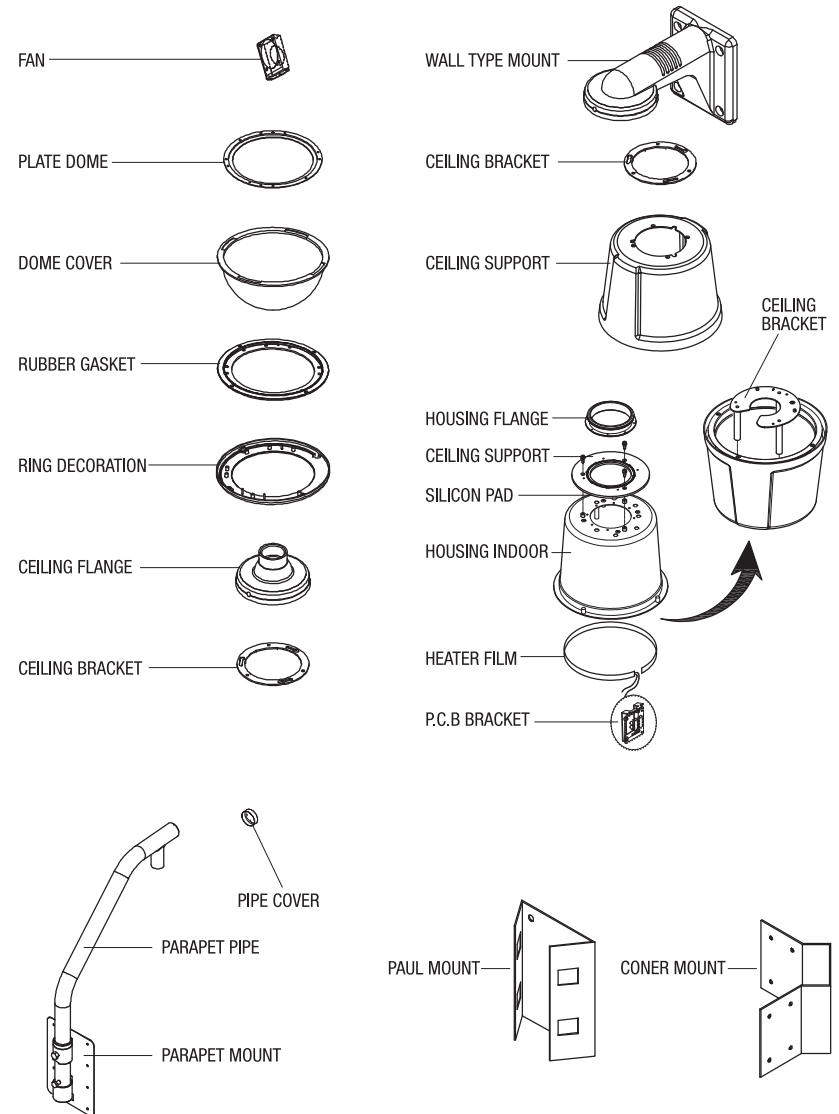


3. Insert the cables into the pipe through the opposite end of the pipe.
4. Place the pipe on the parapet mount.

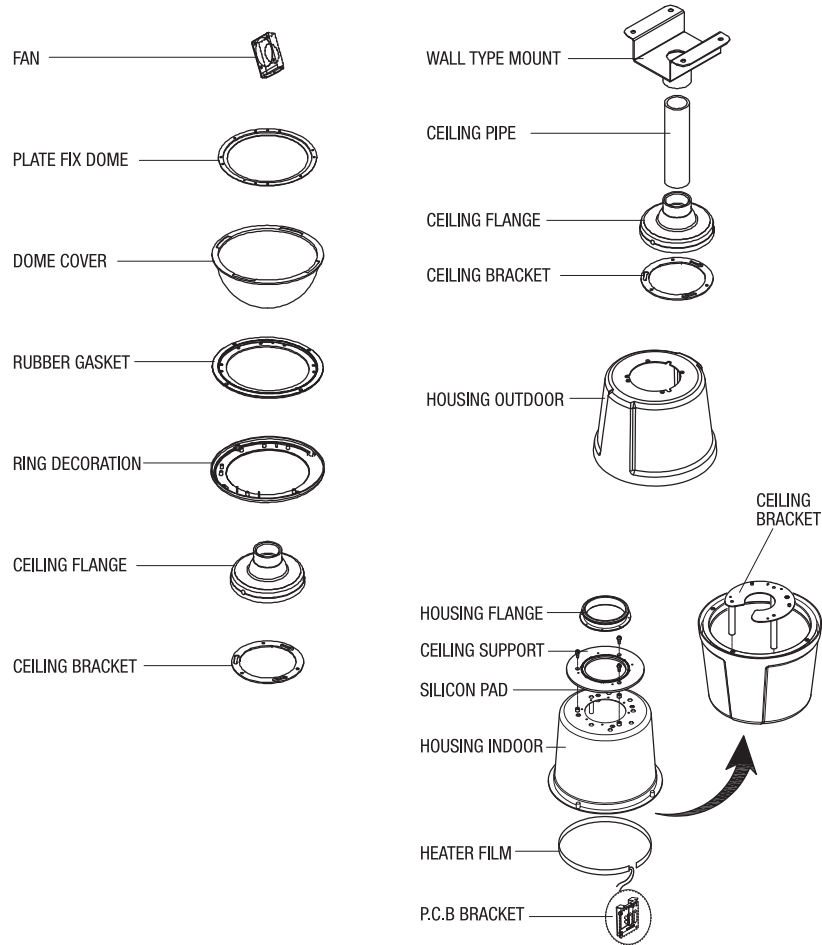


5. Arrange the cables as shown in the picture and adjust the pipe cover with the screw.
6. Adjust the direction of the pipe and then fix it with screws.
7. Install the product.

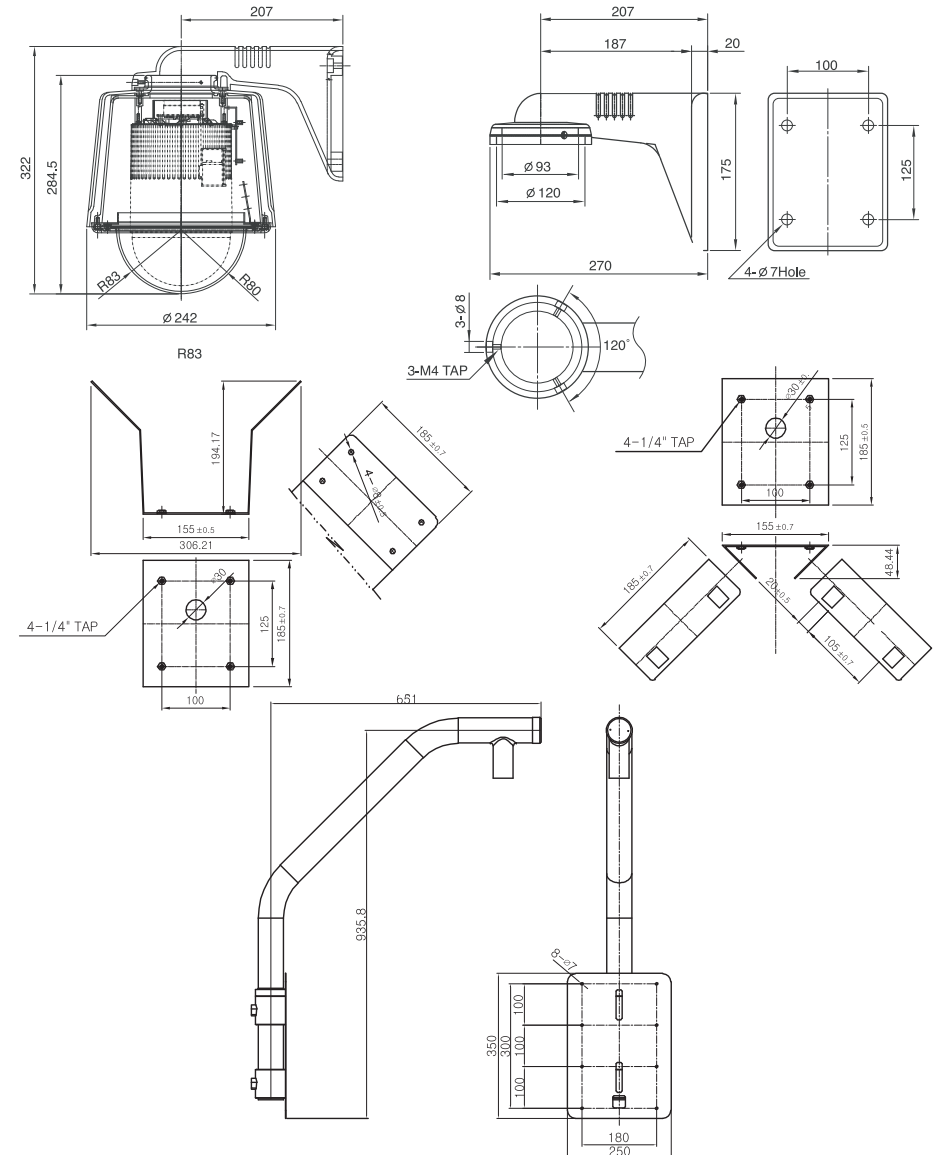
■ Wall Mounting



■ Ceiling Mounting



■ Wall Mounting



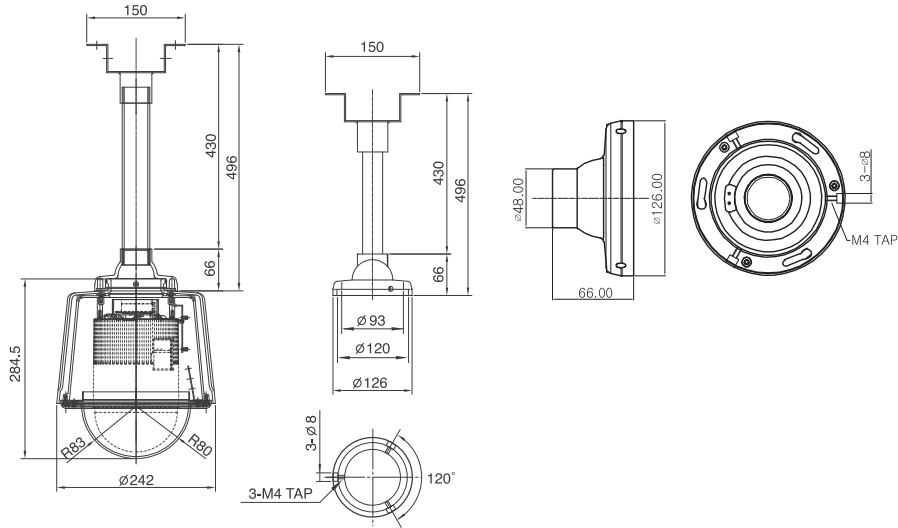
(mm)

External Dimensions

Specification

■ Ceiling Mounting

(mm)



Item	Model		STH-1000PO		STB-270PWW		STB-496PPV	
Operating Temperature Range			-20°C ~ 50°C		-20°C ~ 50°C		-20°C ~ 50°C	
Storage Temperature Range			-20°C ~ 70°C		-20°C ~ 70°C		-20°C ~ 70°C	
Humidity			0 to 90%RH		1 to 90%RH (non-condensing)		1 to 90%RH (non-condensing)	
Materials	Housing Outdoor		AL	Wall Type Mount	ALDC 12	Ceiling Flange	ALDC 12	
	Ring Decoration		ALDC 12			Ceiling Pipe	SPPS 32A/Sch 40	
	Dome Cover		POLY CARBONATE	Ceiling Bracket	E.G.I 2.0t	Ceiling Bracket	E.G.I 2.0t	
Accessories (mm)	SCREW (4EA)	BH MS M4 X L6	SCREW (4EA)	Self Drilling Screw #8 X L38(FZY)	SCREW (4EA)	Self Drilling Screw #8 X L38(FZY)		
			SCREW (3EA)	PH MS M4 X 14	SCREW (3EA)	PH MS M4 X 14		
Others	Fan	DC 24V 0.06A Operating Temp.: more than 45°C						
	Heater	DC 24V 0.8A Operating Temp.: more less 10°C						
Antivibration/Waterproof			IP66		-		-	
Weight (Net)			2,218g		1,130g		1,750g	
Weight (Gross)			3,160g		1,320g		1,970g	
Dimensions			Ø242 x 284.5		270 x 175 x 140		150 x 496	

Specification

Item \ Model	STB-30PF		STB-350PPM		STB-340PCM		STB-330PPM	
Operating Temperature Range	-20°C ~ 50°C		-20°C ~ 50°C		-10°C ~ 50°C		-20°C ~ 50°C	
Storage Temperature Range	-20°C ~ 70°C		-20°C ~ 70°C		-20°C ~ 70°C		-20°C ~ 70°C	
Humidity	0 to 90%RH		1 to 90%RH (non-condensing)		(non-condensing)		(non-condensing)	
Materials	Ceiling Flange	ALDC 12	Parapet Pipe	PF 11/4 (32A)	Coner Bracket	SPCC	Paul Bracket	SPCC
	Ceiling Pipe	E.G.I 2.0t	Parapet Plate	SUS				
			Pipe Cover	SUS				
Accessories (mm)	SCREW (3EA)	PH MS M4 X 14 SUS	Set Anchor -6 (8EA)	1/4''	SCREW (4EA)	1/4''	SCREW (4EA)	1/4''
			SCREW (2EA)	M16 X20 (SUS)	Set Anchor -6 (8EA)	1/4''		
			SCREW (2EA)	PH MS M3 X10 (SUS)				
Others								
Antivibration/Waterproof	-		-		-		-	
Weight (Net)	366g		8,000g		1,308g		584g	
Weight (Gross)								
Dimensions	126 X 66		680 X 920 X 63		306 X 194 X 185		185 X 155 X 48	

Free Manuals Download Website

<http://myh66.com>

<http://usermanuals.us>

<http://www.somanuals.com>

<http://www.4manuals.cc>

<http://www.manual-lib.com>

<http://www.404manual.com>

<http://www.luxmanual.com>

<http://aubethermostatmanual.com>

Golf course search by state

<http://golfingnear.com>

Email search by domain

<http://emailbydomain.com>

Auto manuals search

<http://auto.somanuals.com>

TV manuals search

<http://tv.somanuals.com>