



ABS Laundry Samsung Dryer Model DV316LG

Maytag Technical Institute 2006

ABS-L2006-002

Notes:

SAMSUNG

CLOTHES DRYER

Model : DV316LG

Model code : DV316LGW/XAA

SERVICE *Manual*

CLOTHES DRYER



THE FEATURE OF PRODUCT

- 1. Energy Saving**
- 2. Time Saving**
- 3. Super Size Capacity**
- 4. Fuzzy Algorithm**
- 5. Easy Reversible Door**



-This Service Manual is a property of Samsung Electronics Co., Ltd.
Any unauthorized use of Manual can be punished under applicable International and/or domestic law.

Samsung Electronics Co.,Ltd.
416, Maetan-3Dong, Yeongtong-Gu, Suwon City,
Gyeonggi-Do, Korea, 443-742
Printed in Korea
P/N : DC
URL : <http://itself.sec.samsung.co.kr/>

CONTENTS

1. Precautions	
1-1. Safety Precautions	1-1
1-2. Precautions upon Installation	1-2
2. PRODUCT SPECIFICATIONS	
2-1. THE FEATURE OF PRODUCT	2-1
2-2. SPECIFICATIONS OF PRODUCT	2-2
2-3. THE COMPARATIVE SPECIFICATIONS OF PRODUCT	2-3
2-4. OPTION SPECIFICATIONS	2-4
3. OPERATING INSTRUCTIONS AND INTALLATION	
3-1. Each Key and Display	3-1
3-2. FUNCTION OF CONTROL KEYS	3-2
3-3. MAIN FUNCTIONS	3-6
3-4 SPECIAL FUNCTIONS	3-8
4. ALIGNMENT AND ADJUSTMENTS	
4-1. GENERAL ERROR FUNCTION	4-1
4-2. TEST MODE	4-2
5. ASSEMBLY AND DISASSEMBLY	
5-1. TOOLS FOR DISASSEMBLY AND ASSEMBLY	5-1
5-2. DISASSEMBLY	5-2
5-3. ASSEMBLY	5-5
6. TROUBLE SHOOTING	
6-1. TROUBLE DIAGNOSIS	6-1
6-2. PROBLEM CHECKING AND METHOD OF PCB	6-3
6-3 Control Panel	6-4
6-4 Driving Unit	6-5
7. EXPLODED VIEWS AND PARTS LIST	
7-1. ASSY-COVER TOP	7-1
7-2. ASSY-TUB OUTER(SPIN BASKET)	7-2
7-3. ASSY-CASE OUTER	7-3
7-4. BOLT/SCREW PARTS LIST	7-4

CONTENTS

8. ELECTRICAL PARTS LIST	8-1
9. BLOCK DIAGRAM	9-1
10. WIRING DIAGRAM	10-1
11. PCB DIAGRAM.....	11-1
12. SCHEMATIC-DIAGRAMS	12-1
13. CIRCUIT DESCRIPTIONS	13-1
14. REFERENCE INFORMATION	
14-1. MODEL NAME	14-1
14-2. TERMINOLOGY.....	14-2
14-3. FABRIC CARE CHART	14-3
14-4. ELECTRICAL WARNINGS	14-4
14-5. Q & A.....	14-5

1. Precautions

1-1. Caution for safety during servicing

1. Do not allow the customer to repair the product.
The person may be injured or the product life may be shortened..
2. Execute A/S after unplugging the power supply unit.
Be careful of the electric shocks.
3. Do not plug several plugs in the same outlet.
It may cause a fire due to overheat.
4. Check for damage, pressing or burning of the power plug or outlet.
Replace it promptly if it has a problem.(It may cause the electric shocks or fire)
5. Do not clean the main body with water.
It may cause electric shocks and fire and shorten the product life)
6. The wiring of the harness shall be free from moisture and tightened during servicing.
It shall not be deviated by certain impact.
7. Remove any dust or filth on the housing section,wiring section,connection section during servicing.
Protect from possible cause of fire such as the tracking,shortage etc.
8. Check for any marks of moisture on the electrical parts, harness section etc.
Replace the parts or remove the moisture..
9. Check the assembly status of the parts after servicing.
Maintain the status before servicing..
10. Pull out the power cord by holding the plug.
Be careful of electric shocks and when the cord is damaged.
11. Unplug the power plug from the outlet when the dryer is not used.
Be careful of electric shocks and fire due to the strike of lightning.
12. Do not use or store sprays or flammable materials(including gasoline,alcohol etc.)
around the dryer.
Be careful of explosions or fire due to electric sparks.
13. Do not put bowls of water or wet laundry on the dryer.
If water has penetrated into the dryer, this may cause electric shocks or fire.
14. Do not install the dryer where it will be exposed to bad weather.
It may cause electric shocks and fire and shorten the product life.

15. Do not push the control buttons with an awl, pin, or sharp materials.
It may cause electric shocks and damage.
16. Check the wash machine is leveled horizontally and installed properly on the floor.
The vibration may shorten the product life..

1-2. Important Safety Information

To avoid risk of fire, electric shock, serious injury, or death when using your dryer, follow these basic precautions:

1. Read all instructions before using dryer.
2. Install dryer according to Installation Instructions. Refer to the Grounding Instructions in the Installation Instructions for proper grounding of the dryer.
3. Do not dry articles that have been cleaned in, washed in, soaked in, or spotted with gasoline, dry-cleaning solvents, or other flammable or explosive substances. Vapors could ignite or explode.
4. Do not use dryer to dry clothes which have traces of any flammable substance, such as vegetable oil, cooking oil, machine oil, flammable chemicals, thinner, etc., or anything containing wax or chemicals, such as mops and cleaning cloths. Flammable substances may cause fabric to catch fire by itself.
5. Do not store or use gasoline or other flammable vapors and liquids near this or any other appliance.
6. Do not allow children to play on or in dryer. Close supervision of children is necessary when dryer is used near children, a safety rule for all appliances.
7. Before dryer is removed from service or discarded, remove doors to drying compartment.
8. Do not reach into dryer if cylinder is revolving.
9. Do not install or store dryer where it will be exposed to water and/or weather.
10. Do not tamper with dryer controls.
11. Do not repair or replace any part of dryer or attempt any service, unless specifically recommended in user-maintenance instructions or in published user-repair instructions that you understand and have skills to carry out, if you are a consumer.
12. To reduce risk of electric shock or fire, do not use extension cords or adapters to connect dryer to electrical power source.
13. Use the dryer only for its intended purpose, drying clothes.
14. Always disconnect dryer from electrical supply before attempting any service. Disconnect power cord by grasping the plug, not the cord.
15. Do not use heat to dry articles containing foam rubber or similarly textured rubberlike materials.

16. Always clean the lint filter after every load. A layer of lint in the filter reduces drying efficiency and prolongs drying time.
17. Use only fabric softeners or products to eliminate static that are appropriate for automatic dryers.
18. Keep your dryer in good condition. Bumping or dropping dryer can damage safety features. If damage occurs, have dryer checked by qualified service technician.
19. Replace worn power cords and/or loose plugs.
20. Do not tumble fiberglass curtains and draperies unless the label says it can be done. If they are dried, wipe out the cylinder with a damp cloth to remove particles of fiberglass.
21. Always read and follow manufacturer's instructions on packages of laundry aids. Heed all warnings or precautions. To reduce risk of poisoning or chemical burns, keep products away from children at all times, preferably, in a locked cabinet.
22. Never operate dryer with guards and/or panels removed.
23. Do not operate dryer with missing or broken parts.
24. Do not bypass safety devices.
25. Keep area around the exhaust opening and adjacent surrounding areas free from accumulation of lint, dust, and dirt.
26. Interior of dryer and exhaust duct should be cleaned periodically by qualified service personnel.
27. Dryer will not operate with loading door open. DO NOT bypass door safety switch by permitting dryer to operate with door open. Dryer will stop tumbling when door is opened. Do not use dryer if it does not stop tumbling when door is opened or starts tumbling without pressing or turning the START mechanism. Remove the dryer from use and call the service person.
28. Remove laundry immediately after the dryer stops.
29. ALWAYS follow the fabric care instructions supplied by the garment manufacturer.

Electrical Service Information

Electrical Dryers

- 240 VAC, 60 Hz, 30 Amps, 3-wire or 4-wire installations

Gas Dryers

- 120 VAC, 60 Hz, 15 Amps, 3-wire installations

About Ground Wires

In the event of an electrical short circuit, a



WARNING

To reduce the risk of fire, electric shock, serious injury or death, all wiring and grounding must conform with the latest edition of the National Electric Code, or the Canadian Electrical Code, and such local regulations as might apply. It is the customer's responsibility to have the wiring and fuses checked by a qualified electrician to make sure your home has adequate electrical power to operate the dryer.



WARNING

To avoid risk of personal injury or death due to electrical shock:

- Observe all local codes and ordinances.
- Disconnect electrical power to unit before servicing.
- Ground appliance properly.
- Check with a qualified electrician if you are not sure this appliance is properly grounded.
- DO NOT ground to gas line.
- DO NOT ground to cold water pipe if pipe is interrupted by plastic, nonmetallic gas kets, or other insulating (nonconducting) materials.
- DO NOT modify plug on power cord. If plug does not fit electrical outlet, have proper outlet installed by qualified electrician.
- DO NOT have a fuse in the neutral or ground circuit. A fuse in the neutral or ground circuit could result in an electrical shock.
- DO NOT use an extension cord with this appliance.
- DO NOT use an adapter plug with this appliance.
- DO NOT pinch powe cord.



WARNING

To reduce the risk of fire and exposure to combustion gases, the dryer **MUST** be exhausted to the outdoors.

DO NOT exhaust dryer air into a window well, gas vent, chimney or enclosed, unventilated area, such as an attic, wall, ceiling, crawl space under a building or concealed space of a building.

Gas Dryer Power Supply

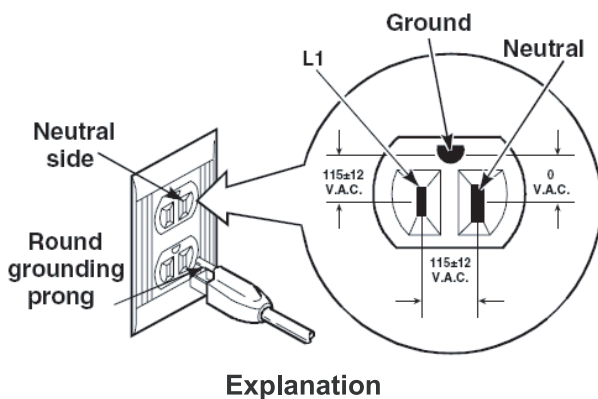
This equipment **MUST** be grounded. In the event of an electrical short circuit, grounding reduces the risk of electric shock by providing an escape wire for the electrical current. This unit is equipped with a cord having a grounding wire with a grounding plug. The plug must be plugged into an outlet that is properly installed and grounded.

Consult a qualified electrician or servicer if grounding instructions are not completely understood, or if doubt exists as to whether the equipment is properly grounded.

Do not use an extension cord. If the product power cord is too short, have a qualified electrician install a three □ slot receptacle. This unit should be plugged into a separate 60 hertz circuit with the electrical rating as shown on the serial plate.

Proper Grounding and Polarization for 120 Volts Wall Outlets

For the safety of our customers and the service technician **ALL** gas dryers have a three!! prong power cord and **MUST** be connected to a properly polarized and grounded wall outlet. This information was written for those who do not understand grounding and polarization of a wall outlet. A 120 VAC wall outlet must always be wired as shown below.



Polarization—This means that the larger slot must be neutral and the small slot must be hot (live).

Mispolarized—The outlet is miswired so that the larger slot is hot (live) and the smaller slot is neutral.

Grounded —This means the round hole connection is connected to ground through a

connection to the main power panel.

Ungrounded—The round hole connection is not connected to a ground and/or the main power panel.

Gas Connection Information



WARNING

To avoid death, personal injury or property damage, from fire or explosion, information in this manual must be followed exactly. Do not store or use gasoline or other flammable vapors and liquids in the vicinity of this or any other appliance.

WHAT TO DO IF YOU SMELL GAS

- Do not try to light any appliance.
 - Do not touch any electrical switch; do not use any phone in your building.
 - Immediately call your gas supplier from a neighbor's phone. Follow the gas supplier's instructions.
 - If you cannot reach your gas supplier, call the fire department.
- Installation and service must be performed by a qualified installer, service agency or the gas supplier.



WARNING

To reduce the risk of fire and exposure to combustion gases, the dryer **MUST** be exhausted to the outdoors. **DO NOT** exhaust dryer air into a window well, gas vent, chimney or enclosed, unventilated area, such as an attic, wall, ceiling, crawl space under a building or concealed space of a building.

1-3. Precautions upon Installation

Tools needed for installation

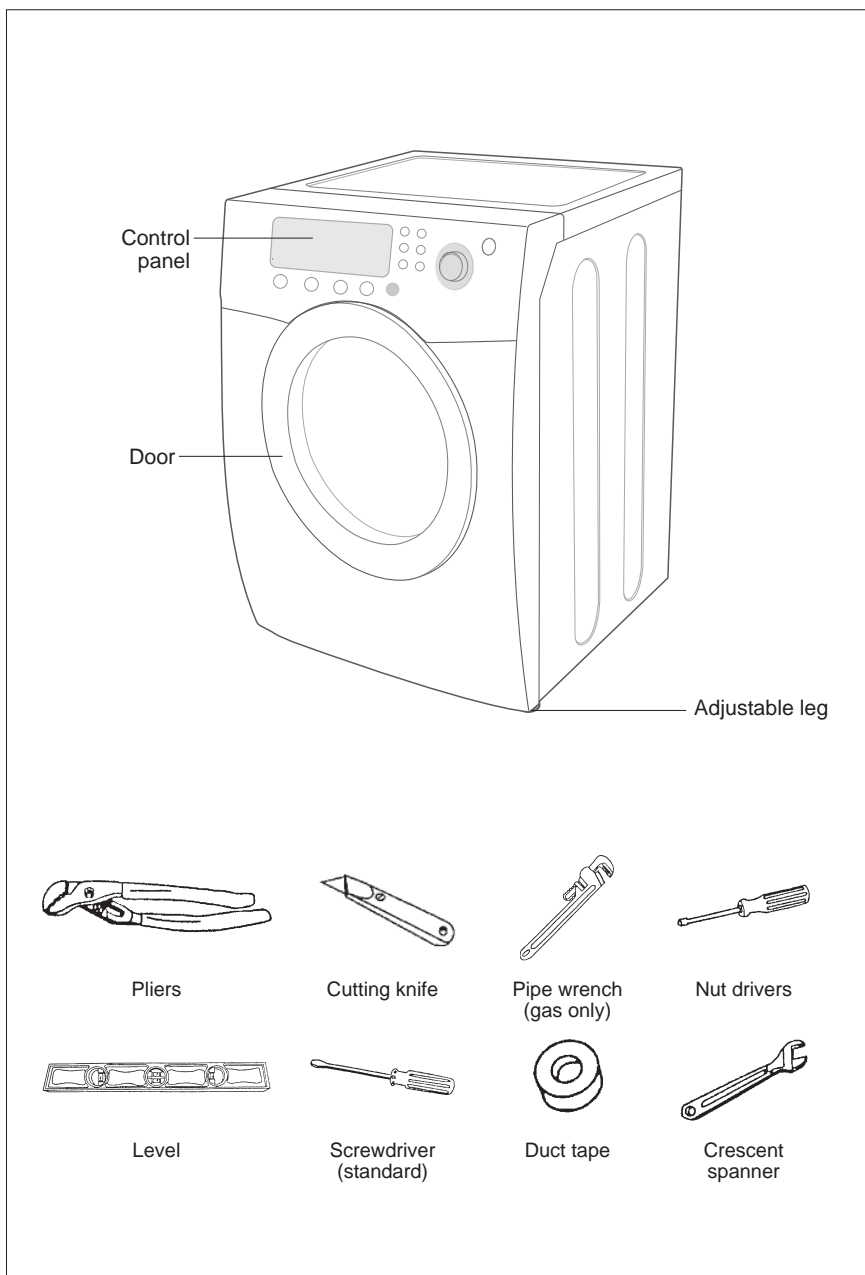
Proper installation is the owner's responsibility.

HOWEVER, SERVICE CALLS PERFORMED AS A RESULT OF POOR SET-UP, ADJUSTMENT, AND CONNECTION ARE THE RESPONSIBILITY OF THE INSTALLER.

Make sure you have everything necessary for proper installation.

1. GROUNDED ELECTRICAL OUTLET is required. See Electrical Requirements.
2. POWER CORD for electric dryers (except Canada).
3. GAS LINES (if a gas dryer) must meet national and local codes.
4. EXHAUST SYSTEM – must be rigid metal or flexible stiffwalled metal exhaust ducting.

See Exhaust Requirements.



DUCTING REQUIREMENTS

- Use a 4-inch (10.2 cm) diameter rigid aluminum or rigid galvanized steel duct.
- Do not use a smaller duct.
- Ducts larger than 4 inches (10.2 cm) in diameter can result in increased lint accumulation. Lint accumulation should be cleaned regularly.
- If a flexible metal duct must be used, use the type with a stiff sheet metal wall. Do not use a flexible duct with a thin foil wall. Serious blockage can result if the flexible metal duct is bent too sharply.
- Never install any type of flexible duct in walls, ceilings, or other concealed spaces.
- Keep exhaust duct as straight and short as possible.
- Secure joints with duct tape. Do not use screws.
- DO NOT EXHAUST DRYER INTO ANY WALL, CEILING, CRAWL SPACE, OR CONCEALED SPACE OF A BUILDING, GAS VENT, OR ANY OTHER COMMON DUCT OR CHIMNEY. THIS COULD CREATE A FIRE HAZARD FROM LINT EXPELLED BY THE DRYER.
- Plastic flexible duct can kink, sag, be punctured, reduce airflow, extend drying times, and affect dryer operation.
- Exhaust systems longer than recommended can extend drying times, affect machine operation, and may collect lint.
- The exhaust duct should end with an exhaust hood with a swing-out damper to prevent back drafts and entry of wildlife. Never use an exhaust hood with a magnetic damper.
- The hood should have at least 12 inches (30.5 cm) of clearance between the bottom of the hood and the ground or other obstruction. The hood opening should point down.
- Never install a screen over the exhaust outlet.
- To avoid lint buildup, do not exhaust the dryer directly into a window well. Do not exhaust under a house or porch.
- If exhaust ductwork must run through an unheated area, the duct should be insulated and slope slightly down towards the exhaust hood to reduce condensation and lint buildup.
- Inspect and clean the interior of the exhaust system at least once a year. Unplug the power cord before cleaning.
- Check frequently to be sure the exhaust hood damper opens and closes freely.

ELECTRIC AND GAS DRYER				
Weather Hood Type				
Recommended			Use only for short-run installation	
4" (10.16 cm)			2.5" (6.35 cm)	
No. of 90° elbows	Rigid	Metallic Flexible*	Rigid	Metallic Flexible*
0	24.4 m (80 ft.)	12.4 m (41 ft.)	22.6 m (74 ft.)	10.1 m (33 ft.)
1	20.7 m (68 ft.)	11.2 m (37 ft.)	18.9 m (62 ft.)	8.8 m (29 ft.)
2	17.4 m (57 ft.)	10.1 m (33 ft.)	15.5 m (51 ft.)	7.6 m (25 ft.)
3	14.3m (47 ft.)	9.0 m (29 ft.)	12.5 m (41 ft.)	6.5 m (21 ft.)

* Do not use non-metallic flexible duct.

If new dryer is installed into an existing exhaust system you must make sure:

- The exhaust system meets all local, state, and national codes.
- That flexible plastic duct is not used.
- Inspect and clean all lint buildup from inside the existing duct.
- The duct is not kinked or crushed.
- The exhaust hood damper opens and closes freely.

The static pressure in any exhaust system must not exceed 0.83 inches of water column, or be less than 0. This can be measured with the dryer running with a manometer at the point where the exhaust duct connects to the dryer. A no-heat setting should be used. The dryer tumbler should

REMOVE THE DOOR FROM ALL DISCARDED APPLIANCES TO AVOID THE DANGER OF A CHILD SUFFOCATING.

LOCATION CONSIDERATIONS

The dryer should be located where there is enough space in front for loading the dryer, and enough space behind for the exhaust system. This dryer is factory-ready for rear exhaust. To exhaust out the bottom or the left, use the accessory exhaust kit. Instructions are included with the kit. It's important to make sure the room has enough fresh air. The dryer must be located where there is no air-flow obstruction.

On gas dryers, adequate clearance as noted on the data plate must be maintained to ensure adequate air for combustion and proper dryer operation.

THE DRYER MUST NOT BE INSTALLED OR STORED IN AN AREA WHERE IT WILL BE EXPOSED TO WATER AND/OR WEATHER. THE DRYER AREA IS TO BE KEPT CLEAR OF COMBUSTIBLE MATERIALS, GASOLINE, AND OTHER FLAMMABLE VAPORS AND LIQUIDS. A DRYER PRODUCES COMBUSTIBLE LINT. THE AREA AROUND THE DRYER SHOULD BE KEPT LINT-FREE.

ALCOVE OR CLOSET INSTALLATION



WARNING – The dryer must be exhausted to the outside to reduce the risk of fire when installed in an alcove or closet.

- No other fuel-burning appliance should be installed in the same closet as the dryer.
- **WARNING:** To reduce the risk of fire, this dryer **MUST BE EXHAUSTED TO THE OUTDOORS.** See EXHAUST INFORMATION section.
- Minimum clearances between the dryer and adjacent walls or other surfaces are: 2" in front, 17" on top, 1" on either side, and 2.375" in the back.
- Closet front must have two unobstructed air openings for a combined minimum total area of 72 in² with 3" minimum clearance on the top and bottom. A louvered door with equivalent space clearance is acceptable.

MOBILE HOME INSTALLATION

The installation of the dryer in mobile homes must conform to the Manufactured Home Construction and Safety Standard Title 24 CFR, Part 32-80 {formerly the Federal Standard for Mobile Home Construction and Safety, Title 24, HUD (Part 280), 1975} for the United States) or CSA Standards Z240 (for Canada).

When installing a dryer in a mobile home, provisions for anchoring the dryer to the floor must be made.

Locate in an area that has adequate fresh air.

A minimum of 72 in² (183 cm²) of unobstructed space is required.

All mobile home installations must be exhausted to the outside with the exhaust duct termination securely fastened to the mobile home structure, using materials that will not support combustion.

The exhaust duct may not terminate underneath the mobile home.

See Exhausting section for more information.

EXHAUSTING

Exhausting the dryer to the outside will prevent large amounts of lint and moisture from being blown into the room.

In the United States:

- All dryers must be exhausted to the outside.
- Only rigid or flexible metal duct should be used for exhausting.

In Canada:

- All dryers must be exhausted to the outside.

Outside the U.S. and Canada:

- Refer to local codes.



WARNING –The dryer must be exhausted to the outside to reduce the risk of fire when installed in an alcove or closet.

NEVER USE PLASTIC OR NON-METAL FLEXIBLE DUCT.

If your existing ductwork is plastic, non-metal, or combustible, replace it with metal.

Use only metal exhaust duct that is non-flammable to ensure containment of exhaust air, heat, and lint.

GAS REQUIREMENTS

Use only natural or LP (liquid propane) gases.

THE INSTALLATION MUST CONFORM WITH LOCAL CODES, OR IN THE ABSENCE OF LOCAL CODES, WITH THE NATIONAL FUEL GAS CODE ANSI/Z223.1, LATEST REVISION (FOR THE UNITED STATES), OR WITH THE CAN/CGA-B149 INSTALLATION CODES (FOR CANADA).

Gas dryers are equipped with a burner vent for use with natural gas. If you plan to use your dryer with LP (liquid propane) gas, it must be converted for safe and proper performance by a qualified service technician. A 1/2" (1.27 cm) gas supply line is recommended and must be reduced to connect to the 3/8" (1 cm) gas line on your dryer. The National Fuel Gas Code requires that an accessible, approved manual gas shut-off valve be installed within 6' of your dryer.

Gas dryers installed in residential garages must be raised 18 inches (46 cm) above the floor.

Additionally, a 1/8" (0.3 cm) N.P.T. (National Pipe Thread) plugged tapping, accessible for test gauge connection, must be installed immediately upstream of your dryer's gas supply connection.

Your dryer must be disconnected from the gas supply pipe system during any pressure testing of the system.

DO NOT reuse old flexible metal gas lines. Flexible gas lines must be design certified by the American Gas Association (CGA in Canada).

- NOTE:**
- Any pipe joint compound used must be resistant to the action of any liquefied petroleum gas.
 - As a courtesy, most local gas utilities will inspect a gas appliance installation.

GAS IGNITION – Your dryer uses an automatic ignition system to ignite the burner.

There is no constant burning pilot.

COMMONWEALTH OF MASSACHUSETTS INSTALLATION INSTRUCTIONS

Your dryer must be installed by a licensed plumber or gas fitter. A "T" handle manual gas valve must be installed in the gas supply line to your dryer. If a flexible gas connector is used to install your dryer, the connector must have a maximum length of 3' (36").

WARNING – Gas leaks may occur in your system, creating a dangerous situation.

Gas leaks may not be detected by smell alone.

Gas suppliers recommend you purchase and install a UL-approved gas detector.

Install and use in accordance with manufacturer's instructions.

ELECTRICAL REQUIREMENTS

NOTE: Wiring diagram is located on plate below the control panel.

WARNING –

- Improper connection of the equipment grounding conductor can result in a risk of electric shock. Check with a qualified electrician or serviceman if you are in doubt as to whether your dryer is properly grounded. Do not modify the plug provided with your dryer – if it doesn't fit the outlet, have a proper outlet installed by a qualified electrician.
- To prevent unnecessary risk of fire, electrical shock, or personal injury, all wiring and grounding must be done in accordance with local codes, or in the absence of local codes, with the National Electrical Code, ANSI/NFPA No. 70-Latest Revision (for the U.S.) or the Canadian Electrical Code CSA C22.1 – Latest Revisions and local codes and ordinances. It is your responsibility to provide adequate electrical services for your dryer.
- All gas installations must be done in accordance with the national Fuel Code ANSI/Z2231 – Latest Revision (for the U.S.) or CAN/CGA – B149 Installation Codes – Latest Revision (for Canada) and local codes and ordinances.

GROUNDING

This dryer must be grounded. In the event of malfunction or breakdown, the ground will reduce the risk of electrical shock by providing a path of least resistance for electrical current.

GAS MODELS

Your dryer has a cord with an equipment-grounding conductor and a grounding plug.

The plug must be plugged into an appropriate outlet that is properly installed and grounded in accordance with all local codes and ordinances.

Do not modify the plug provided with your dryer – if it doesn't fit the outlet, have a proper outlet installed by a qualified electrician.

NEVER CONNECT GROUND WIRE TO PLASTIC PLUMBING LINES, GAS LINES, OR HOT WATER PIPES.

ELECTRIC MODELS

Your dryer has a cord with an equipment-grounding conductor and a grounding plug.

The plug must be plugged into an appropriate outlet that is properly installed and grounded in accordance with all local codes and ordinances.

If a power cord is not used and the electric dryer is to be permanently wired, the dryer must be connected to a permanent grounded metal wiring system, or an equipment grounding conductor must be run with the circuit conductors and connected to the equipment grounding terminal.

ELECTRICAL CONNECTIONS

Before operating or testing, follow all grounding instructions in the Grounding section.

An individual branch (or separate) circuit serving only your dryer is recommended. **DO NOT USE AN EXTENSION CORD.**

GAS MODELS – U.S. and Canada

A 120 volt, 60 Hz AC approved electrical service, with a 15-ampere fuse or circuit breaker is required.

ELECTRIC MODELS – U.S. Only

Most U.S. dryers require a 120/240 volt, 60 Hz AC approved electrical service. Some require 120/208 volt, 60 Hz approved electrical service. The electric service requirements can be found on the data label located behind the door. A 30-ampere fuse or circuit breaker on both sides of the line is required.

- If a power cord is used, the cord should be plugged into a 30-ampere receptacle.
- The power cord is NOT provided with U.S. electric model dryers.

IMPORTANT:

When local codes allow, the dryer electrical supply may be connected by means of a new power supply cord kit, marked for use with a dryer, that is U.L. listed and rated at a minimum of 120/240 volts, 30-ampere with three No. 10 copper wire conductors terminated with closed loop terminals, open-end spade lugs with turned up ends, or with tinned leads.

1. size of the conductors and the type of cord.
2. 3/4" (1.9 cm) UL-listed strain relief

- Do not reuse a power supply cord from an old dryer. The power cord electric supply wiring must be retained at the dryer cabinet with a suitable UL-listed strain relief.
- Grounding through the neutral conductor is prohibited for (1) new branch-circuit installations, (2) mobile homes, (3) recreational vehicles, and (4) areas where local codes prohibit grounding through the neutral conductor. (Use 4-prong plug for 4 wire receptacle, NEMA type 14-30R.)

ELECTRIC MODELS – Canada Only

- A 120/240 volt, 60 Hz AC approved electrical service fused through a 30-ampere fuse or circuit breaker on both sides of the line is required.
- All Canadian models are shipped with the power cord attached. The power cord should be plugged into a 30-ampere receptacle.

NOTE: It is not permissible to convert a dryer in Canada to 208 volts.

REPLACEMENT PARTS AND ACCESSORIES

If your dryer requires replacement parts or accessories, contact the dealer from whom you purchased your dryer or a SAMSUNG customer care center at 1-800-SAMSUNG (726-7864).

INSTALLATION

Parts and literature are packaged inside your dryer drum. To install:

1. Move your dryer to an appropriate location for installation. Consider installing the dryer and washer side-by-side, to allow access to gas, electrical, and exhaust connections.

Lay two of the carton cushion-tops on the floor. Tip your dryer on its side so it will lay across both cushion-tops.

2. Set your dryer back in an upright position.

3. Review the Exhausting section before installing the exhaust system. Install the ductwork from your dryer to the exhaust hood. The crimped end of the duct sections must point away from your dryer.

DO NOT use sheet metal screws when assembling ducting. These joints should be taped.

Never use plastic flexible exhaust material.

Tip for tight installations: install a section of exhaust system to your dryer before putting it in place.

Use duct tape to secure this section to your dryer, but do not cover louvers in dryer cabinet.

4. Review Electrical Requirements section.

BEFORE OPERATING OR TESTING, follow the grounding instructions in the Grounding section.

U.S. MODELS:

IMPORTANT – All U.S. models are produced for a **3-WIRE SYSTEM CONNECTION**.

The dryer frame is grounded to the neutral conductor at the terminal block.

A **4-WIRE SYSTEM CONNECTION** is required for new or remodeled construction, mobile homes,

or if local codes do not permit grounding through neutral. If the 4-wire system is used, the dryer frame cannot be grounded to the neutral conductor at the terminal block. Refer to the following instructions for 3- and 4-WIRE SYSTEM CONNECTIONS.

Remove the terminal block cover plate.

Insert the power cord with a UL-listed strain relief through the hole provided in the cabinet near the terminal block.

NOTE: A strain relief must be used.

Do not loosen the nuts already installed on the terminal block. Be sure they are tight.

Use a 3/8" (1cm) deep well socket.

5. Review Gas Requirements section.

Remove the pipe thread protective cap.

Apply pipe joint compound or about 1 1/2 wraps of Teflon tape over all threaded connections.

NOTE: Pipe joint compound must be resistant to the action of any liquefied petroleum gas.

Connect the gas supply to your dryer.

An additional fitting is required to connect the 3/4" (1.9 cm) female thread end of a flexible connector to the 3/8" (1 cm) male threaded end on the dryer.

Securely tighten the gas line fitting over threads.

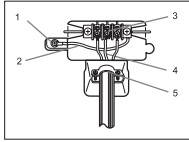
Turn on the gas supply. Check all gas connections for leaks using a soap solution.

If bubbles appear, tighten the connections and recheck.

DO NOT use an open flame to check for gas leaks.

3-WIRE SYSTEM CONNECTIONS

1. Loosen or remove center terminal block screw.
2. Connect neutral wire (white or center wire) of the power cord to the center, silver-colored terminal screw of the terminal block. Tighten screw.
3. Connect the other wires to outer terminal block screws. Tighten screws.
4. Tighten strain relief screws.
5. Insert tab of terminal block cover into your dryer's rear panel slot.
Secure cover with hold-down screw.

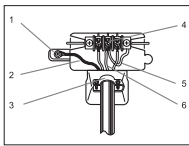


- External ground connector
- Neutral grounding wire (green/yellow)
- Center silver-colored terminal block screw
- Neutral wire (white or center wire)
- 3/4" (1.9 cm) UL-listed strain relief

WARNING: If converting from a 4-wire electrical system to a 3-wire, the ground strap must be reconnected to the terminal block support to ground the dryer frame to the neutral conductor.

4-WIRE SYSTEM CONNECTIONS

1. Remove center terminal block screw.
2. Connect ground wire (green or unwrapped) of power cord to external ground conductor screw.
3. Connect neutral wire (white or center wire) of power cord and appliance ground wire (green with yellow stripes) under central screw of the terminal block.
4. Connect the other wires to outer terminal block screws. Tighten screws.
5. Tighten strain relief screws.
6. Insert tab of terminal block cover into your dryer's rear panel slot.
Secure cover with hold-down screw.



- External ground connector
- Green or bare copper wire of power cord
- 3/4 in. (1.9 cm) UL-listed strain relief
- Center silver-colored terminal block screw
- Grounding wire (green/yellow)
- Neutral wire (white or center wire)

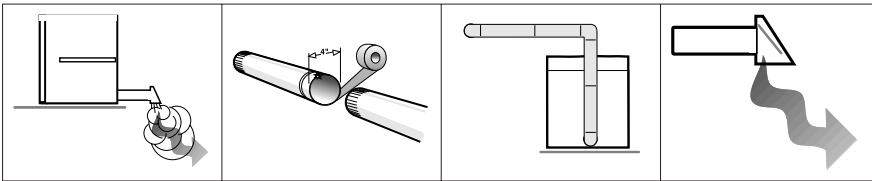
6. With a level, check your dryer and make necessary adjustments to the leveling legs.
7. At this time, make sure all gas connections (on gas models), exhaust and electrical connections are complete. Plug in your dryer, and check operation by using the checklist below.
8. (GAS MODELS ONLY)
The burner may not ignite initially due to air in the gas line. Allowing your dryer to operate on a heat setting will purge the line. If the gas does not ignite within 5 minutes, turn your dryer off and wait 5 minutes. Be sure the gas supply to your dryer has been turned on. In order to confirm gas ignition, check the exhaust for heat.

FINAL INSTALLATION CHECKLIST

- Dryer is plugged into electrical outlet and properly grounded.
- Exhaust ductwork is hooked up and joints taped.
- Plastic flexible duct is NOT used.
- Use rigid or stiff-walled flexible metal vent material.
- Dryer is level with all legs firmly on the floor.
- Gas models – gas is turned on with no gas leaks.
- Start your dryer to confirm that it runs, heats, and shuts off.

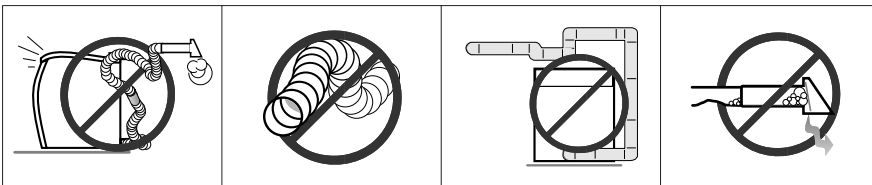
Dryer Exhaust Tips

WARNING: Plastic or non-metal flexible duct presents a potential fire hazard.



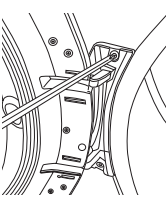
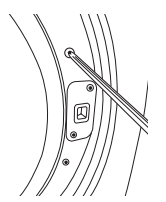

1. Let your dryer exhaust the air easily.
2. Use 4" diameter rigid metal duct. Tape all joints, including at the dryer. Never use lint-trapping screws.
3. Keep ducts as straight as possible.
4. Clean all old ducts before installing your new dryer. Be sure vent flap opens and closes freely. Inspect and clean the exhaust system annually.

Don't let a poor exhaust system slow drying by:










1. Restricting your dryer with a poor exhaust system.
2. Using a plastic, thin foil, or non-metal flexible duct.
3. Using unnecessarily long duct runs with many elbows.
4. Allowing crushed or clogged ducts and vent.

Door Reversal

<ol style="list-style-type: none">1. Unplug power cord.2. Remove two door hinge screws.3. Lift the door and remove from dryer.		<ol style="list-style-type: none">6. Place the door on the other side and reattach it to dryer.
<ol style="list-style-type: none">4. Remove two screws on the opposite side of door hinge.		<ol style="list-style-type: none">7. Reassemble holder lever.
<ol style="list-style-type: none">5. Remove two screws on holder lever.		<ol style="list-style-type: none">8. Reassemble the screws in the remaining holes.

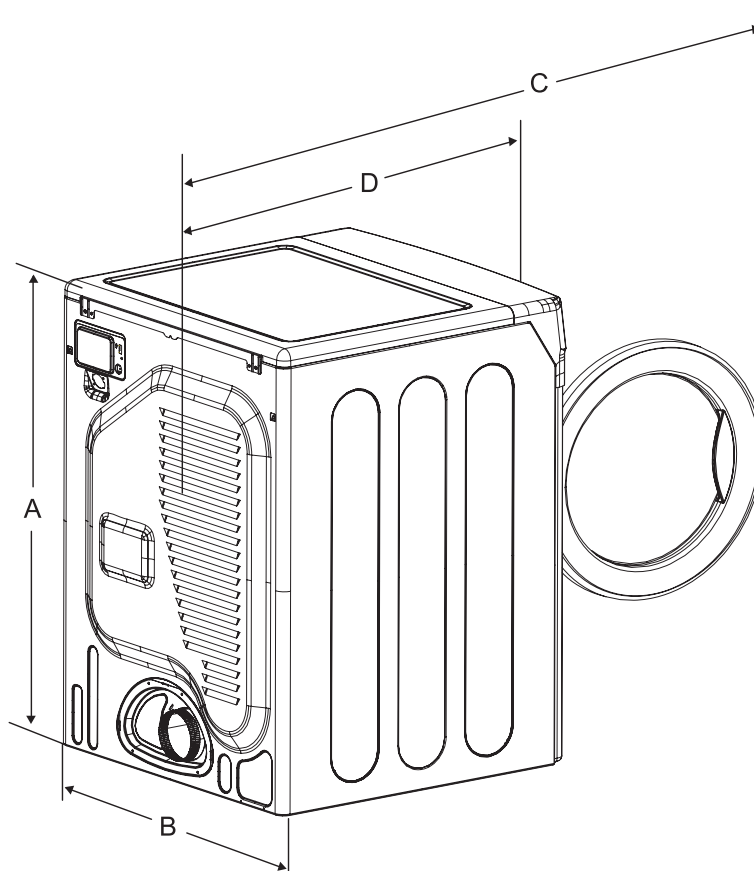
2. PRODUCT SPECIFICATIONS

2-1. THE FEATURE OF PRODUCT

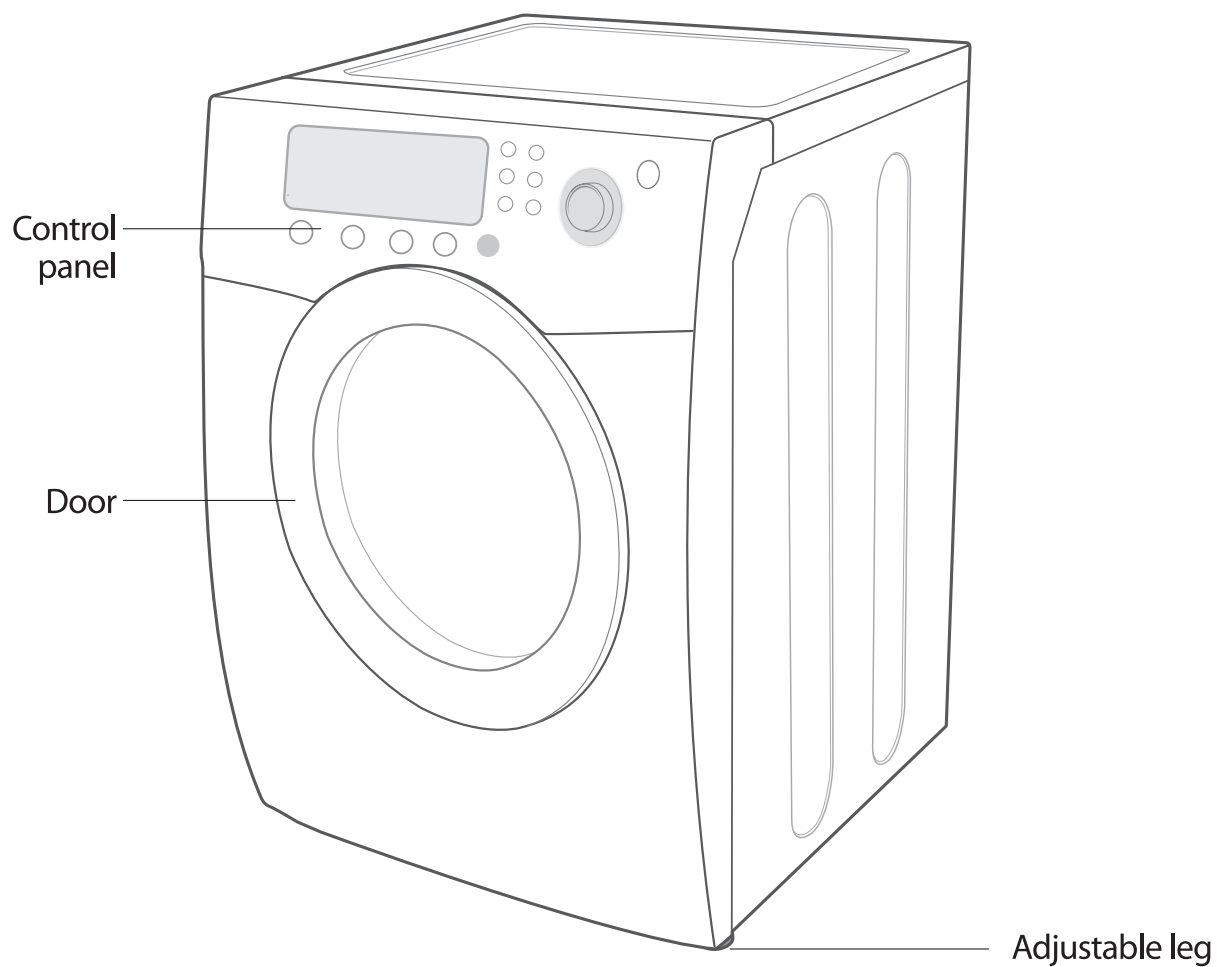
Channel	Lowe's				Bestbuy		
Grade	Good	Better		Best	Good	Better	
Model Name	DV306LEW	DV316LEW	DV316LES	DV326LES	DV3C6BEW	DV316BEW	DV316BEC
	DV306LGW	DV316LGW	DV316LGS	DV326LGS	DV3C6BGW	DV316BGW	DV316BGC
Matching Washer	WF306LAW	WF316LAW	WF316LAS	WF326LAS	WF306BHW	WF316BAW	WF316BAC
Capacity	7.3	7.3	7.3	7.3	7.3	7.3	7.3
Display Type	Bar 	Bar 	Bar 	Large Bar 	Bar 	Bar 	Bar 
Color	White	White	Silver	Silver	White	White	Champagne Gold
Drum Material	Stainless	Stainless	Stainless	Stainless	Paint coated	Stainless	Stainless
Drum Light	No	Yes	Yes	Yes	No	Yes	Yes
Vent Exhaust	E/G, 3 way	E/G, 3 way	E/G, 3 way	E/G, 3 way	E/G, 3 way	E/G, 3 way	E/G, 3 way
Heating Element (KW)	5300W / 22,000 BTU/hr	5300W / 22,000 BTU/hr	5300W / 22,000 BTU/hr	5300W / 22,000 BTU/hr	5300W / 22,000 BTU/hr	5300W / 22,000 BTU/hr	5300W / 22,000 BTU/hr
# of Drying Cycle	7	9	9	11	7	9	9
# of Option	3	3	3	3	3	3	3
# of Temp Level	4	5	5	5	4	5	5
# of Dryness Level	3	5	5	5	3	5	5
Dimension (H*W*D)	38" * 27" * 31	38" * 27" * 31	38" * 27" * 31	38" * 27" * 31	38" * 27" * 31	38" * 27" * 31	38" * 27" * 31

2-2. SPECIFICATIONS OF PRODUCT

WASH TYPE	FRONT LOADING TYPE			
DIMENSION	Div	Inches (cm)	Div	Inches (cm)
	A. Height	38" (96.5)	C. Depth with door open 90°	49" (124.5)
	B. Width	27" (68.6)	D. Depth	30.25" (77.0)
WEIGHT	56.8kg			
HEATER RATING	5300W			
POWER CONSUMPTION	NO HEAT		268W	
	HEATING		5445W	

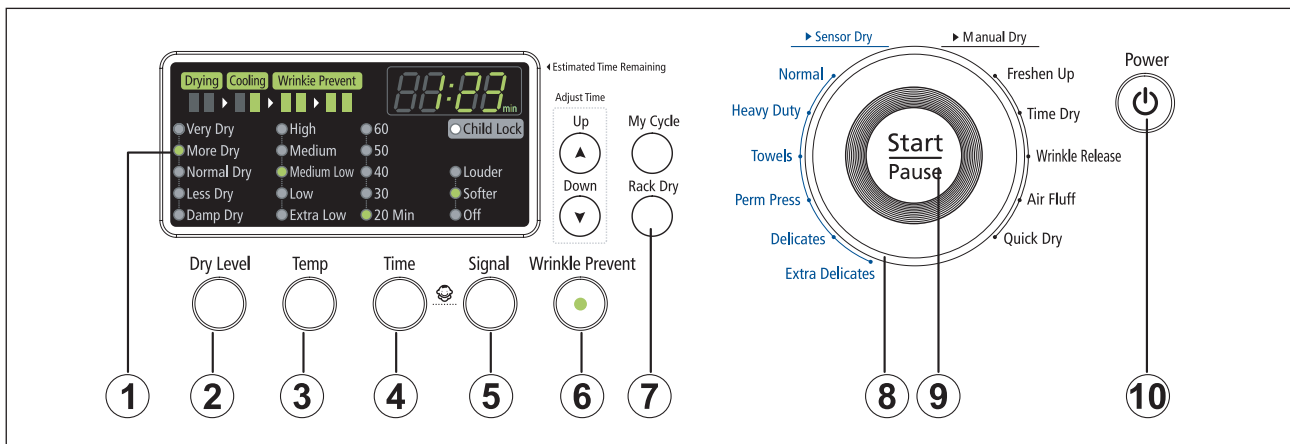


2-3. OVERVIEW OF THE DRYER



3. OPERATING INSTALLATIONS AND INSTALLATION

3-1. OVERVIEW OF THE CONTROL PANEL



1. Digital Graphic Display

The display window shows the estimated time remaining in the cycle after the Cycle Selector dial is pressed. The estimated time remaining may fluctuate as the cycle progresses.

The Drying light will illuminate and remain lit until the cycle is complete.

When your dryer is in the cool-down phase, the Cooling light will illuminate.

When your dryer is in the wrinkle prevent phase, the Wrinkle Prevent light will illuminate.

When the cycle is complete, "END" will appear in the display panel until the dryer door is opened or Power key is pushed.

If your dryer is paused during a cycle, the indicator lights will blink until the Cycle Selector dial is pressed.

2. Dry Level Selection Button

To select the dry level in the Normal, Heavy Duty, or other Sensor Dry cycles, press the Dry Level button. An indicator light will illuminate next to the desired dryness level.

Press the button repeatedly to scroll through the settings. Larger or bulkier loads may require the Very Dry (select models) or More Dry setting for complete dryness.

The Less Dry setting is best suited for lightweight fabrics or for leaving some moisture in the clothing at the end of the cycle. Damp Dry (select models) is designed to partially dry items.

Use for items that lay flat or hang to dry.

3. Temp Selection Button

To select the correct temperature for the load, press the Temp button. An indicator light will illuminate next to the desired temperature. Press the button repeatedly to scroll through the settings.

High – For sturdy cottons or those labeled Tumble Dry.

Medium – For permanent press, synthetics, lightweight cottons, or items labeled Tumble Dry Medium.

Medium Low – For lower heat than Medium to dry synthetic or washable knit fabrics.

Low – For heat sensitive items labeled Tumble Dry Low or Tumble Dry Warm.

Extra Low – Provides the lowest heated dry temperature possible.

4. Time Selection Button

When using Manual Dry cycles, time can be adjusted by pressing time selection button.

During the Sensory Dry cycle, the time light indicator is off because exact drying times are determined by fluctuating humidity levels.

5. Signal Selection Button

When the cycle is complete, a chime will sound.

When the Wrinkle Prevent option is selected, the chime will sound intermittently.

Adjust the volume of the chime or turn it off by pressing the Signal button.

Press the button repeatedly to scroll through the choices.

6. Wrinkle Prevent Selection Button

Wrinkle Prevent provides approximately 90 minutes of intermittent tumbling in unheated air at the end of the cycle to reduce wrinkling. Press the Wrinkle Prevent button to activate this feature.

The indicator light above the pad will illuminate when Wrinkle Prevent is selected.

Chasing lights appear in the display when the Wrinkle Prevent option is selected. The load is dry, and can be removed at any time during the Wrinkle Prevent cycle.

7. Select Cycle Option

Adjust Time – Time can be added or subtracted from the automatically set times in the Manual Dry cycles (Time Dry, Freshen Up, Delicates, Wrinkle Release, or Air Fluff cycles).

To add or subtract time from the cycle, press the Adjust Time arrow pad up or down until the desired time is displayed.

My Cycle – Choose your favorite cycle including cycle, temp, dry level option, etc.

Rack Dry – Rack Dry is available at Time Dry cycle. Temperature will be set only to Extra Low.

8. Cycle Selector

To select a cycle, rotate the Cycle Selector dial to the desired cycle.

The indicator light by the cycle name will illuminate. The Normal, Heavy Duty, Towels, Perm Press and Delicates cycles are Sensor Dry cycles.

Sensor Dry automatically senses the moisture in the load and shuts the dryer off when the selected dryness level (very dry to damp dry) is reached.

Normal – Dry loads such as cotton, underwear, and linens use this cycle to get various levels of heat for drying.

Heavy Duty – Use this cycle to get high heat for heavy fabrics such as jeans, corduroys, or work clothes.

Towels – Dry loads such as bath towels.

Perm Press – Dry wrinkle-free cottons, synthetic fabrics, knits, and permanent press fabrics automatically. The cycle minimizes wrinkling by providing a longer unheated cool-down period at the end of the cycle.

Delicates – The Delicates cycle is designed to dry heat-sensitive items at a low drying temperature.

Freshen Up – This cycle removes odors and freshens garments.

Time Dry – Time Dry allows you to select the desired cycle time in minutes.

Turn the Cycle Selector dial to Time Dry, then press the Adjust Time up arrow to set the drying time.

Press the arrow repeatedly to scroll through the time settings.

Wrinkle Release – The Wrinkle Release cycle will release wrinkles from items that are clean, dry, and only slightly wrinkled, such as clothes from a crowded closet, suitcase or items that have been in the dryer too long after the cycle has ended. Wrinkle Release can be used with any temperature selection.

Air Fluff – The Air Fluff cycle tumbles the load in room temperature air.

9. Start/Pause Selection Button

Press to pause and restart programs.

10. Power Button

Press once to turn your dryer on, press again to turn it off. If your dryer is left on for more than 10 minutes without any buttons being touched, the power automatically turns off.

3-2. CYCLE CHART

Cycle		Default			Drying	Cooling	Wrinkle prevent
		Temp control	Sensor dry level	Time	Time	Time	Time
Sensor Dry	Normal	High (Medium)	Normal dry	44 min	39 min	5 min	90 min
	Heavy Duty	High (No change)	Normal dry	60 min	55 min	5 min	90 min
	Towels	High (Medium)	Normal dry	52 min	47 min	5 min	90 min
	Perm Press	Medium Low (No change)	Normal dry	34 min	24 min	10 min	90 min
	Delicates	Low (No change)	Normal dry	29 min	24 min	5 min	90 min
	Extra Delicates	Extra Low (No change)	Normal dry	29 min	24 min	5 min	90 min
Manual Dry	Freshen Up	High (No change)	-	30 min	25 min	5 min	-
	Time Dry	High	-	40 min	35 min	5 min	-
	Wrinkle Release	Medium	-	25 min	20 min	5 min	-
	Air Fluff	- (No change)	-	20 min	-	20 min	-
	Quick Dry	High	-	30 min	25 min	5 min	-

3-3. MAIN FUNCTION

CHILD LOCK

A function to prevent children from playing with your dryer.

SETTING/RELEASING

If you want to set or release Child Lock, press both the Time and Signal buttons at the same time for 3 seconds.

How to Set:

1. It can be set while your dryer is running.
2. Once you set the Child Lock function, no button, except for the Power button, can be controlled until you release the Child Lock function.
3. The Child Lock indicator will be lit.

Notice:

1. If the power is on again, the Child Lock function remains unchanged.
2. To release that function, follow the instructions above.

Notice:

When other buttons, except for the Power button, do not respond, check the Child Lock indicator.

MY CYCLE

Lets you activate your customized cycle that includes Dry Level, Temp, Time option, etc.

By pushing the My Cycle button, you activate the settings used during the previous My Cycle mode.
(Default : Normal Cycle)

If My Cycle mode is activated, My Cycle button will be lit.

You can select all options in My Cycle mode as follows.

1. Select cycle using Cycle Selector dial.
2. After cycle selection, set each option.

Note: At this time, the option will follow as per each cycle's default option selection.

Then you can start My Cycle by pushing the Start/Pause button in My Cycle mode.
The cycle and options you select will be displayed next time you choose My Cycle.

Rack Dry

INSTALLING THE DRYING RACK

1. Open dryer door.
2. Position drying rack in tumbler, placing the rear legs in the two recessed areas of the dryer's back wall.
3. Place the front lip of the drying rack on top of the lint filter.
4. Place items to be dried on the rack, leaving space between them so air can reach all surfaces.
5. Close dryer door.
6. Use the Time Dry cycle. Select time according to moisture and weight of the items. Start dryer. It may be necessary to reset the timer if a longer drying time is needed.

SUGGESTED ITEMS	SUGGESTED TEMP. SETTINGS
Washable sweaters (block to shape and lay flat on rack)	Heat (Low/Extra Low)
Stuffed toys (cotton or polyester fiberfilled)	Heat (Low/Extra Low)
Stuffed toys (foam or rubber-filled)	Air Fluff
Foam rubber pillows	Air Fluff
Sneakers	Fluff or Heat

WARNING – Drying foam rubber, plastic, or rubber on a heat setting may cause damage to the item and lead to a fire hazard.

Memo

4. ALIGNMENT AND ADJUSTMENTS

4-1. Error items and Diagnostic Codes

1. An occurrence of an Error will make a sound of error melody for 5sec and continuously show one of the Error Displays from the following errors.

Display	Description	Trigger	Action Taken
tS	Dryer Thermistor Short Sensed	The Thermistor resistance is very low.	Check for: - Clogged lint screen. - Restricted vent system. - Check Thermistor resistance.
tO	Dryer Thermistor Open Sensed	The Thermistor resistance is very high.	Check for: - Clogged lint screen. - Restricted vent system. - Check Thermistor resistance.
do	Door Open	Running the dryer with door open	Check for: - Close the door, and run the dryer - Loose or open wire terminals in Door Sense circuit.
FE	Power source frequency Error	Invalid power source Frequency	Check for: - Not using regular power source frequency - Invalid power frequency sense circuit
dF	Door Circuit Failure	Invalid state for more than 256 milliseconds	Check for: - Loose or open wire terminals in Door Sense circuit.
hE	Heater Error	Invalid heating Temp in running the dryer	Check for: - Restricted vent system. - Check Thermistor resistance.
bE	Button Error	Invalid state of key circuit short for 75secs	Check for: - Display PCB key circuit short or not
od	Over Dry	Invalid Dry time in excess Dry time	Check for: - Sensor bar Open - using Adjust time Up excessively
Et	EEprom Fail	Invalid state of Eeprom communication	Check for - PCB on Eeprom circuit

4-2. TEST MODE

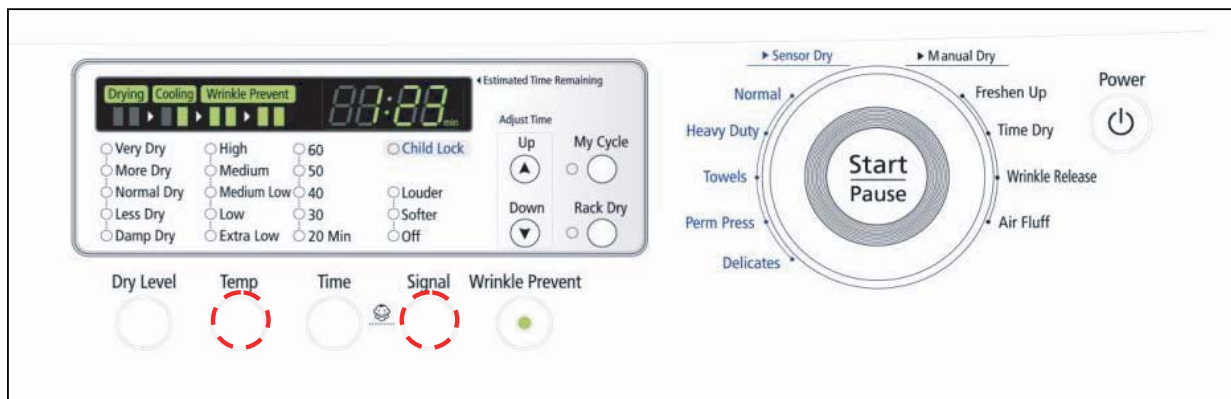
4-2-1. Continuous Run Mode



Continuous Run Mode:

1. Press Signal + Dryness Level for 3 sec during Power On State (Normal User Mode) .
2. Once in Continuous Run Mode, 7-Segment will toggle display “cc” and the remaining time.
3. The previous cycle will restart during Continuous Run Mode until continuous run mode is disabled.
4. During Continuous Run Mode, press Signal + Dryness Level for 3 seconds to return to normal user mode. 7-segment will no long display “cc” and only display the remaining time.

4-2-2. Special Test Mode



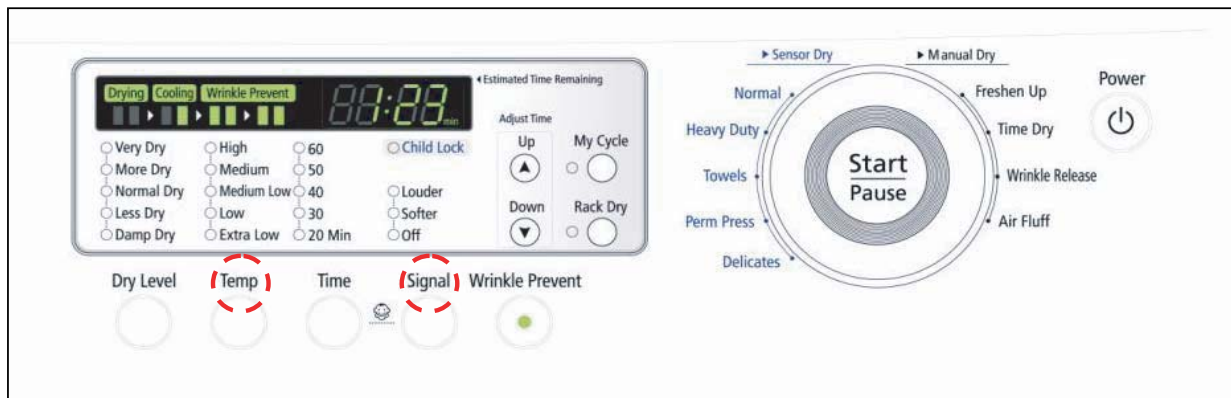
Definition of Special Test Mode:

- Dryer must be on before Service Mode can be entered.
- Press Signal and Temp Keys for 3 seconds, or until 3 beeps are heard.
- The machine will now be in Service Mode.
- Upon entry into Service Mode, the Sensor Bar Touch Data will be shown (Default Special Test Mode).

How to Enter:

- To enter Special Test Mode press Signal and Temp Keys for 3 seconds for 3 seconds or until the control beep.
(same for all Frontier models.)

4-2-3. Sensor Bar Touch Data Mode



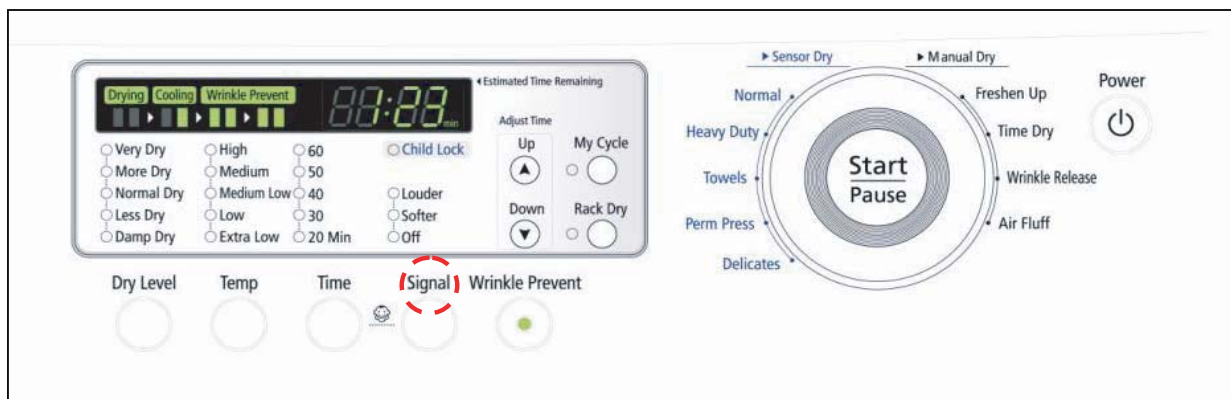
Definition of Sensor Bar Touch Data Mode:

- While in Power On pressing Signal and Temp Keys for 3 seconds
- This action will put the dryer into sensor bar touch data mode
- Dryer will display Sensor Bar data. This mode is default mode of entering service mode

How to Enter:

- While in Power off pressing Signal and Temp Keys for 3 seconds (same for all Frontier models.)

4-2-4. Cycle Count Mode



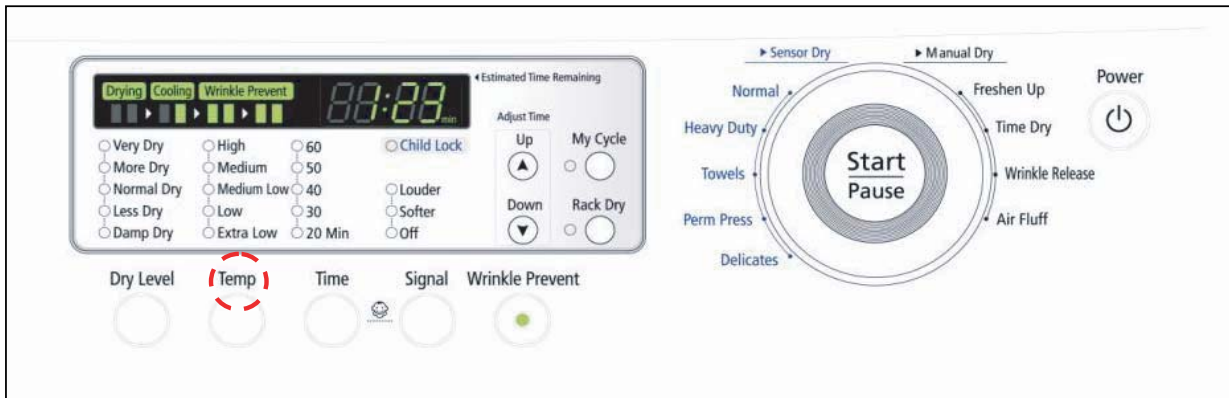
Definition of Cycle Count Mode:

- While in Service Mode pressing the Signal key will put the dryer into the cycle count mode
- Cycle number executed will display.

How to Enter:

- To enter Special Test Mode press While in Service Mode pressing the Signal key for 3 seconds or until the control beep.
(same for all Frontier models.)

4-2-5. Software Version Mode



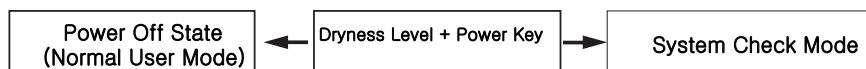
Definition of Software Version Mode:

- While in Service Mode pressing the Temp key will put the dryer into the software version mode

How to Enter:

- To enter Special Test Mode press Temp Key until the control beep.
(same for all Frontier models.)
ex) In case of "U105", U0 means major version "v1" 05 means minor version "05"

4-2-6. System Check Mode



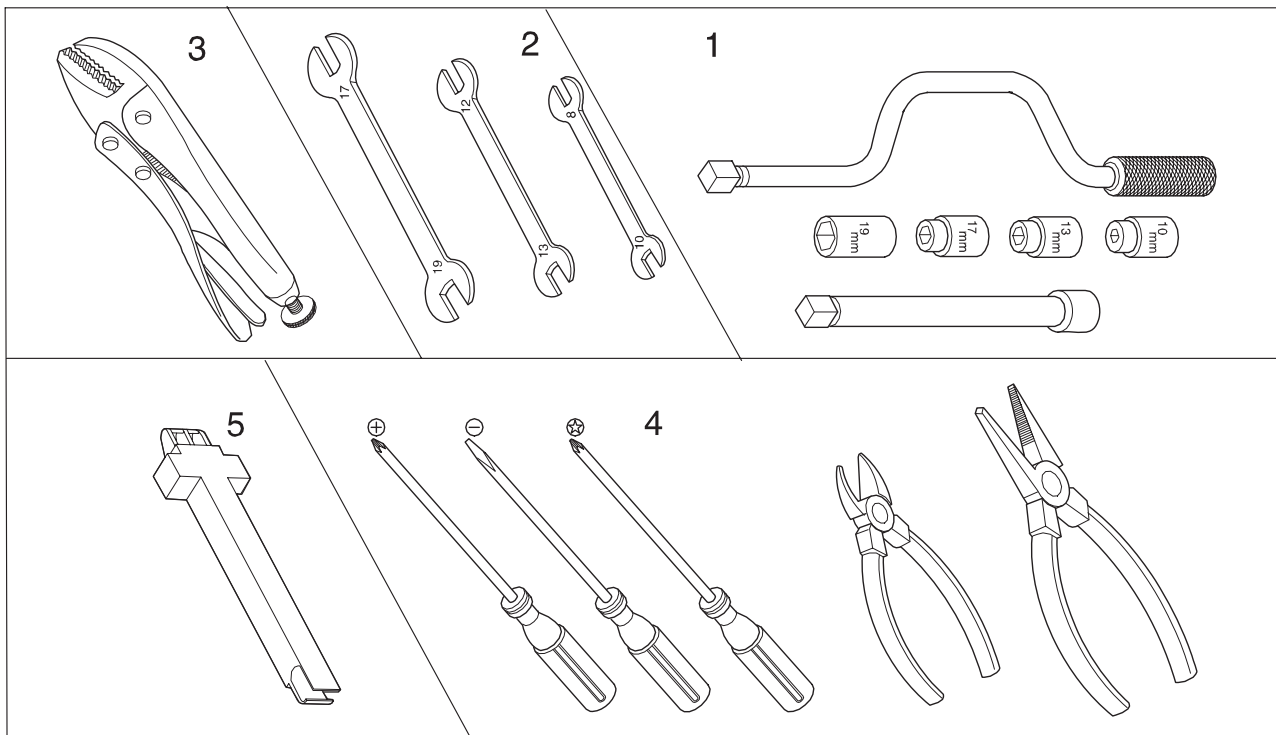
Special Test Mode:

- While in Power Off, pressing the Dryness Level + Power keys simultaneously will put the dryer into the System Check mode
- "t2" will display.
- System Check Mode Progress
t2 mode Function Performed Start/Pause Motor(CW) Relay On → Heater Relay On → Heater Relay Off → Motor(CW) Relay Off (Circulation)

5. ASSEMBLY AND DISASSEMBLY




5-1. TOOLS FOR DISASSEMBLY AND ASSEMBLY




NO.	TOOL		
1	Box driver	10mm 13mm 19mm	Heater (1) Motor (1), Balance (5), 2 holes of each left and right of the shock absorber 1 Pulley hole
2	Double-ended spanner	10, 13, 19mm	Replaceable for the box driver. Since the bolt runs idle when the box driver is used, use the box driver 17mm.
3	Vice pliers		Tool to protect the idle and abrasion of the bolt for the box driver.
4	Other(Driver, Nipper, Long nose)		General tools for the after service.
5	JIG for the Tub		1 (Disassemble and Assemble)









5-2. DISASSEMBLY

Warning! To avoid risk of electrical shock, personal injury or death, disconnect the power to the washing machine.

Part Name	Descriptive Picture	How To Do
<p>Top Removal</p>		<ol style="list-style-type: none"> 1. Disconnect power supply to unit. 2. Remove 2 10mm screws from dryer back. 3. Slide Top Cover towards the rear and lift from unit.
<p>Drum Baffle Removal</p>		<ol style="list-style-type: none"> 1. Disconnect power supply to unit. 2. Remove Top Cover. 3. Remove four screws located at the sound dampening seam.
<p>Console Removal</p>		<ol style="list-style-type: none"> 1. Disconnect power supply to unit. 2. Remove Top Cover. 3. Remove two screws mounting the Heater PCB Board. 4. Disconnect the black and white connectors. 5. Remove four screws attaching Console to dryer 6. Rotate Console down and remove from dryer.

Part Name	Descriptive Picture	How To Do
<p>Front Panel Removal</p>		<ol style="list-style-type: none"> 1. Disconnect power supply to unit. 2. Remove Top Cover. 3. Remove Console. 4. Remove four screws attaching Front Panel to dryer. 5. Remove two screws in the door area. 6. Pull Front Panel forward and disconnect the Interior Light harness. 7. Lift the Front Panel off the three tabs across the bottom and remove.
<p>Front Bulk-head Removal</p>		<ol style="list-style-type: none"> 1. Disconnect power supply to unit. 2. Remove Top Cover. 3. Remove Console. 4. Remove Front Panel. 5. Remove screws retaining Console Back Cover. 6. Disconnect Interior Light wiring harness. 7. Disconnect Moisture Sensor wiring harness. 8. Remove four Bulkhead retaining screws. 9. Lift Bulkhead from Cabinet and remove.
<p>Moisture Sensor Removal</p>		<ol style="list-style-type: none"> 1. Disconnect power supply to unit. 2. Remove Top Cover. 3. Remove Console. 4. Remove Front Panel. 5. Disconnect Moisture Sensor wire harness. 6. Remove sensor attachment screw.

Part Name	Descriptive Picture	How To Do
<p>Drum Removal</p>		<ol style="list-style-type: none"> 1. Disconnect power supply to unit. 2. Remove Top Cover. 3. Remove Console. 4. Remove Front Panel. 5. Remove Console Back Cover. 6. Remove Front Bulkhead. 7. Remove belt from Idler Pulley. 8. Grasp the Drum with one hand and the belt with the other. Lift the Drum and slide out the front. Carefully spread the cabinet as needed to gain additional clearance.
<p>Rear Roller Removal</p>		<ol style="list-style-type: none"> 1. Disconnect power supply to unit. 2. Remove Rear Bulkhead. 3. Remove Roller Keeper and nut.
<p>Motor/Blower Assembly Removal (1)</p>		<ol style="list-style-type: none"> 1. Disconnect power supply to unit. 2. Remove Top Cover. 3. Remove Console. 4. Remove Front Panel. 5. Remove Console Back Cover. 6. Remove Belt from Idler Pulley. 7. Remove Drum. 8. Remove the two screws securing the Blower Intake Panel to the Blower Housing. Remove Blower Intake panel. 9. Remove the screw at the bottom of the blower housing. 10. Remove the blower attachment screw under the Thermistor. 11. Remove two screws attaching the motor bracket to the base. 12. Disconnect the Motor wire harness and the two wires to the belt switch.

Part Name	Descriptive Picture	How To Do
<p>Motor/Blower Assembly Removal (2)</p>		<p>13.Slide the Motor Blower Assembly toward the heater and lift to disengage the tabs on the motor from the slots in the base.</p> <p>14.Remove the 14mm nut securing the blower wheel to the shaft. The nut is a left hand thread.</p> <p>NOTE: A wrench can be placed on both ends of the Motor Output Shaft.</p> <p>15.Remove Blower Wheel.</p> <p>16.Remove the three screws securing the blower housing to the motor bracket.</p> <p>17.Remove the three screws securing the blower housing to the motor bracket .</p> <p>18.Use a wide blade screwdriver to pop off the motor retentionclamps.</p>
<p>Rear Bulkhead Removal</p>		<p>1.Disconnect power supply to unit.</p> <p>2.Remove Top Cover.</p> <p>3.Remove Console.</p> <p>4.Remove Front Panel.</p> <p>5.Remove Console Back Cover.</p> <p>6.Remove Belt from Idler Pulley.</p> <p>7.Remove Drum.</p> <p>8.Remove 7 screws from the back.</p> <p>9.Lift the rear bulkhead off the right and left side hangers.</p>
<p>Burner Removal</p>		<p>1.Disconnect power supply to unit.</p> <p>2.Shut off gas supply.</p> <p>3.Disconnect gas line.</p> <p>4.Remove two screws securing burner to bracket.</p> <p>NOTE: The Igniter Bar is fragile. Be careful not to damage Igniter when removing Burner Assembly.</p> <p>5.Remove the two screws attaching the housing to the burner bracket. The screws are recessed from view.</p> <p>6.Slide Burner Assembly from dryer.</p>
<p>Heater Assembly Removal</p>		<p>1.Disconnect power supply to unit.</p> <p>2.Remove Top Cover.</p> <p>3.Remove Console.</p> <p>4.Remove Front Cover.</p> <p>5.Remove Heater Assembly retaining screw.</p> <p>6.Slide Heater Assembly out the front of dryer.</p> <p>7.Remove the wiring terminals from the Heater Assembly.</p> <p>8.Reinstall by aligning the tabs on the back bulkhead with the notches in the Heater Assembly.</p>

5-3. REASSEMBLY

Reassembly procedures are in the reverse order of disassembly procedures.

6. TROUBLE SHOOTING

6-1. TROUBLE DIAGNOSIS

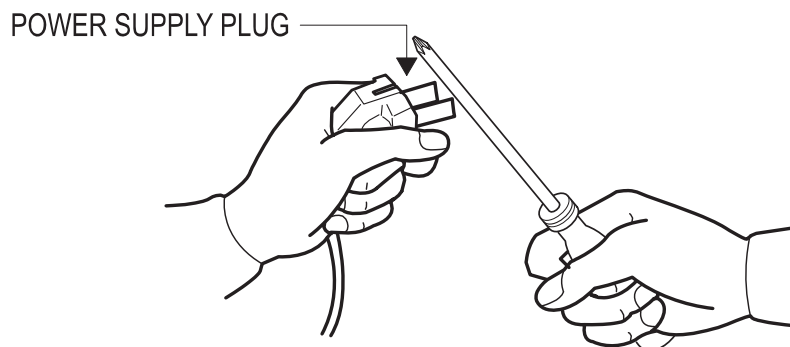
- As the micom dry machine is configured of the complicate structure, there might be the service call.

Below information is prepared for exact trouble diagnosis and suitable repair guide.

Caution for the Repair and Replacement

Please follow below instruction for the trouble diagnosis and parts replacement.

- 1) As some electronic components are damaged by the charged static electricity from the resin part of wash machine or the human body, prepare the human body earth or remove the potential difference of the human body and wash machine by contacting the power supply plug when the work contacting to PCB is executed.



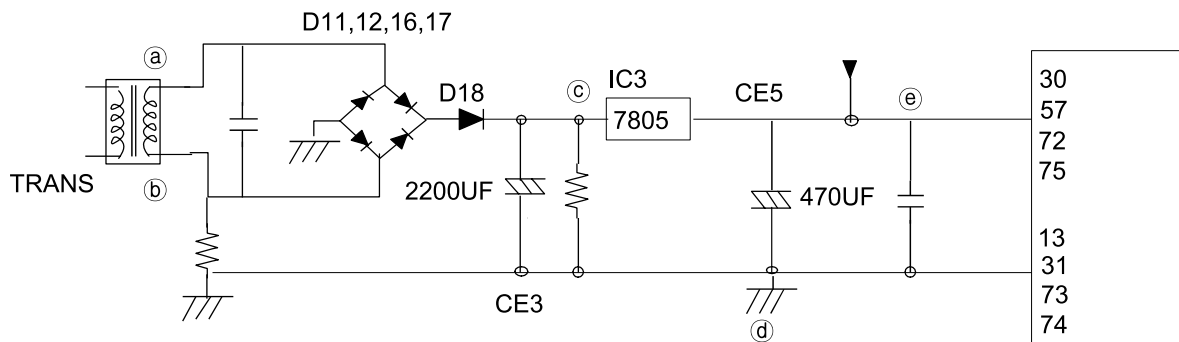
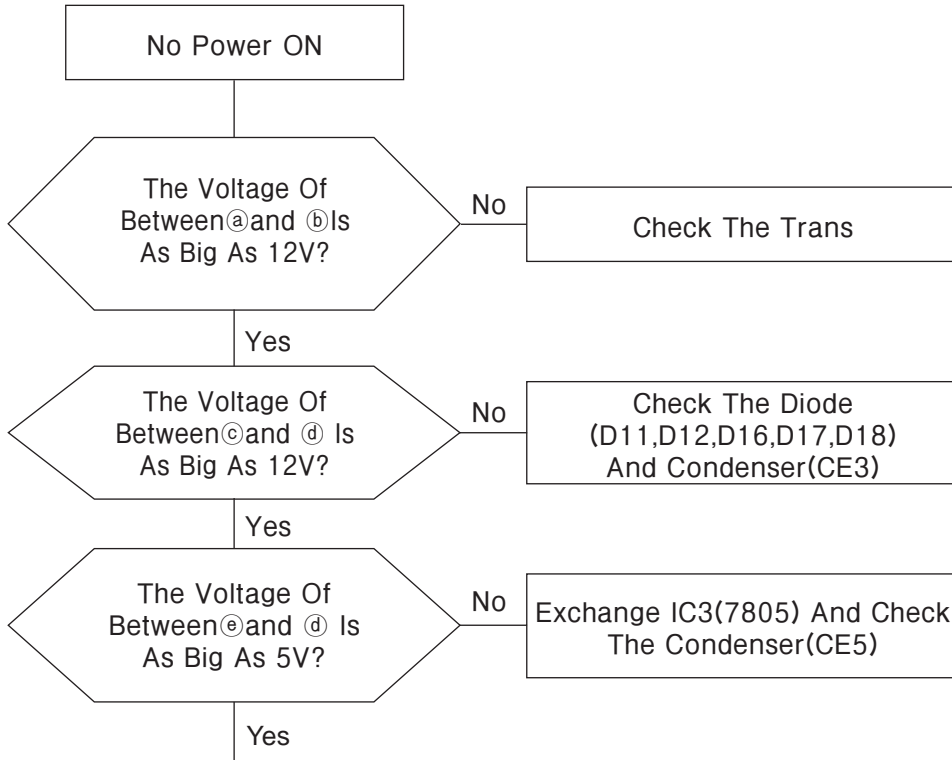
- 2) Since AC220~240V is applied to the triac T1 and T2 on P.C.B, the electric shock may occur by touching and be careful that the strong and weak electricity are mixed.
- 3) As the P.C.B assembly is designed for no trouble, do not replace the P.C.B assembly by the wrong diagnosis and follow the procedure of the trouble diagnosis when the micom is not operated normally.

No	Problem	What To Do
1	Will Not Start or Run	<ul style="list-style-type: none"> • All wires are hooked up to their corresponding terminals. • Dryer is plugged in. • Blown fuse or circuit breaker. • Door switch functional...door closed. Check for error code 3 (See Table for code definition). • Start/Pause rotary selector dial functional. • Control Board operational. • Belt off or broken and Belt Cut-off Switch operates. • Drive motor functional. • Check motor winding resistance: 2.88ohms between pin #3 and 4, 3.5ohms between pin #4 and 5.
2	Motor runs/ tumbler will not turn	<ul style="list-style-type: none"> • Belt off or broken/damaged. • Idler tension spring too weak or stretched. • Idler pulley jammed or stuck.
3	Runs a few minutes and then stops	<ul style="list-style-type: none"> • Lint buildup around drive motor. • Low voltage present. • Blower impeller blocked in blower housing. • Drive motor - start switch contacts stuck closed.
4	Blows fuses or trips circuit breaker	<ul style="list-style-type: none"> - Is the belt connected well? - Is the winding of the motor continuous? (Rotor winding, stator winding, generator) - Is the motor protector normal? • If above points are not found, the PCB assembly is out of order. Replace it.
5	Blows fuses or trips circuit breaker (Gas Model)	<ul style="list-style-type: none"> • During ignition the dryer will draw X amps. With the burner ON, the dryer will draw X amps. If the dryer is drawing amperages above this, then the house wiring, fuse box or circuit breaker is suspected to be at fault. • Igniter harness loose and shorted to base. • Incorrect wiring or wire shorted to ground. • Drive motor winding shorting to ground.
6	Will not heat (motor runs)	<ul style="list-style-type: none"> • Open heating element. • Hi-Limit trips easily or is open. • Regulating thermostat trips easily or is open. • Membrane switch open. • Check Thermistor.
7	Will Not Dry Gas Model Poor Gas Ignition	When the dryer is operated on a heat setting, the igniter should be energized and burner shall fire within 45 seconds at 120 VAC. The failure of a component in this system will usually be indicated by one of three symptoms:
8	The igniter does not glow	<p>If the igniter does not heat up, remove power and using an ohmmeter, check the following:</p> <ul style="list-style-type: none"> • Open flame sensor • Open igniter • Shorted booster coil • Open wiring • Bad motor switch (Neutral supply) • No power from control (L1 supply)
9	Igniter glows - No gas ignition	<p>If the igniter heats up but the main burner flame is not ignited, remove power and using an ohmmeter, check the following:</p> <ul style="list-style-type: none"> • Open secondary coil • Open holding coil • Open wire harness • Stuck flame sensor (Stuck closed)
10	The gas is ignited but the flame goes out	<p>If a normal ignition takes place and after a short while the flame goes out, check for the following:</p> <ul style="list-style-type: none"> • Radiant sensor contacts opening prematurely. • Weak gas valve coil may open when stressed by higher Temps. • Weak Hi-Limit • Poor venting • Bad drum seals
11	Improper drying clothes wrinkled Rough texture long dry time	<ul style="list-style-type: none"> • Lint filter is not clean. • Restriction in exhaust. • Outside exhaust hood damper door stuck closed. • Exhaust too long, too many elbows, flex ductwork installed. • Poor intake air available for the dryer. • Incorrect tumbler speed. Tumbler belt slipping. • Blower impeller bound; check for foreign material in blower area. • Customer overloading dryer. • Check clothing labels for fabric content and cycle selected. • Clothes too wet due to insufficient spin out by washer.
12	Noisy and/Or Vibration	<ul style="list-style-type: none"> • Thumping Check for loose tumbler baffle, rear tumbler roller(s) worn or misaligned, out-of-round tumbler or high weld seam on tumbler. • Ticking Check for loose wire harness or object caught in blower wheel area. • Scraping Check for front or rear bulkhead felt seal out of position or worn tumbler front bearings. • Roaring Check for blower wheel rubbing on blower housing or bad motor bearings. • Popping or squealing sound. Check for a sticky or frayed belt.

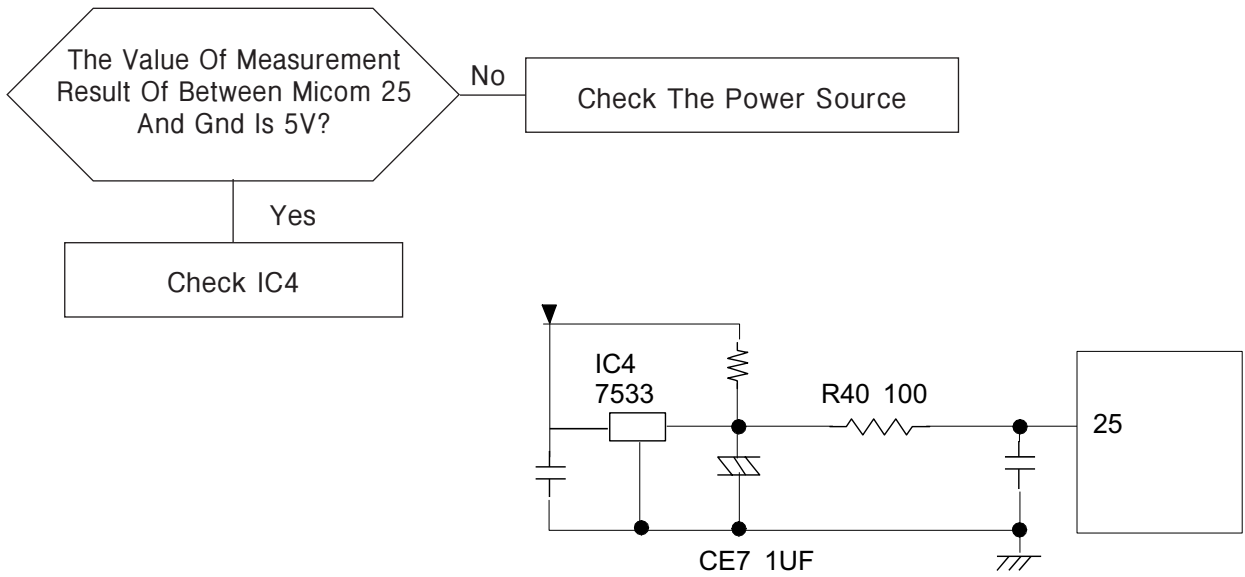
6-2. PROBLEM CHECKING AND METHOD OF PCB

-If you plug in the power cord and turn Power S/W on, memorized data is displayed.
If any data is not displayed, check the followings.

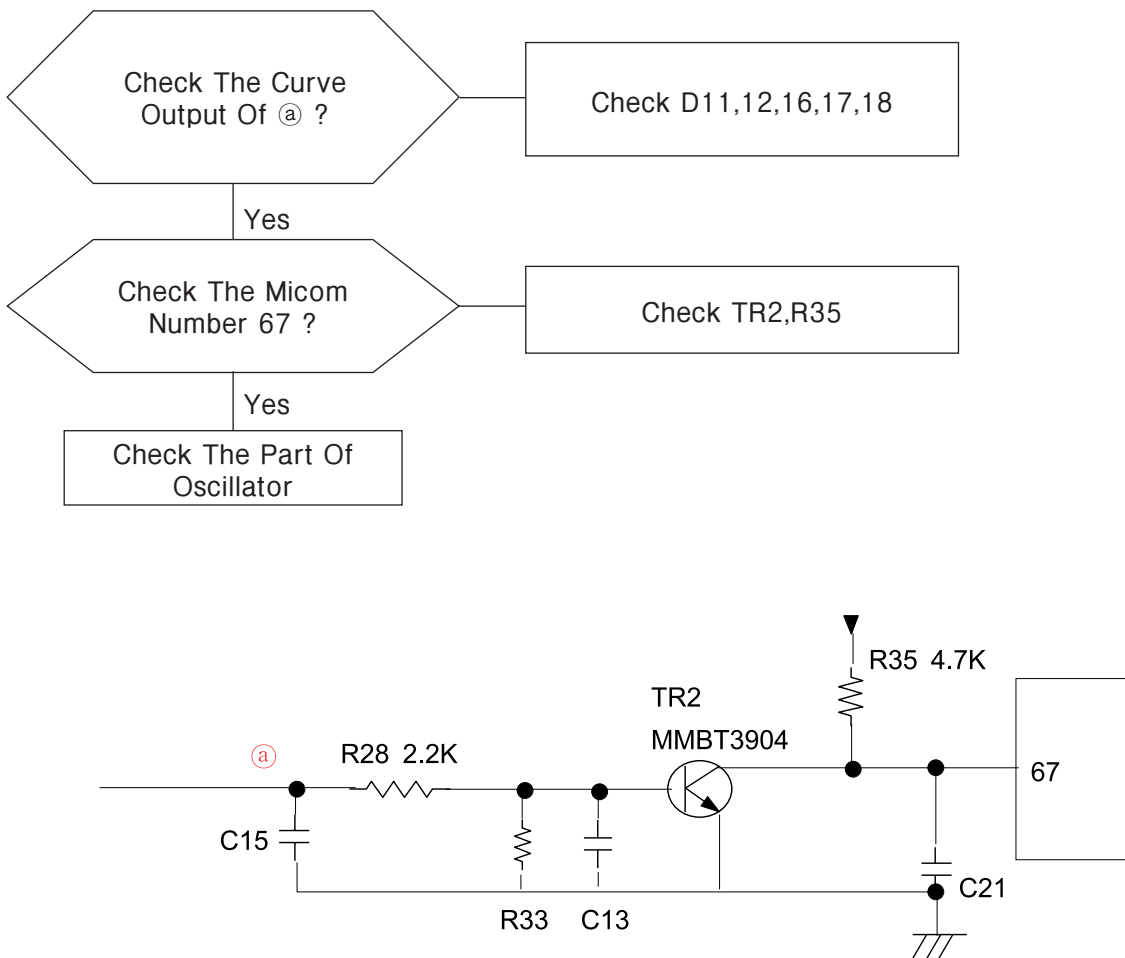
6-2-1 The Part Of Power Source



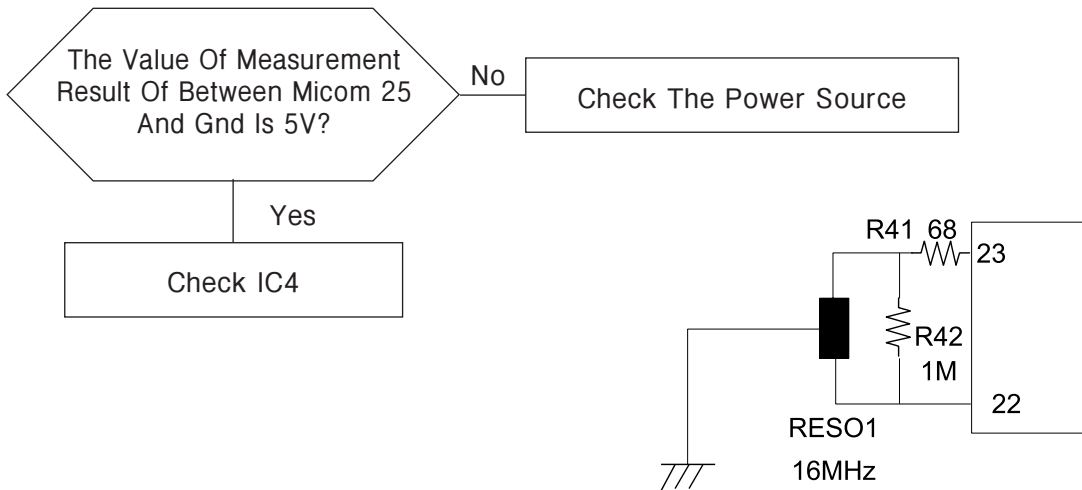
6-2-2. Reset Part



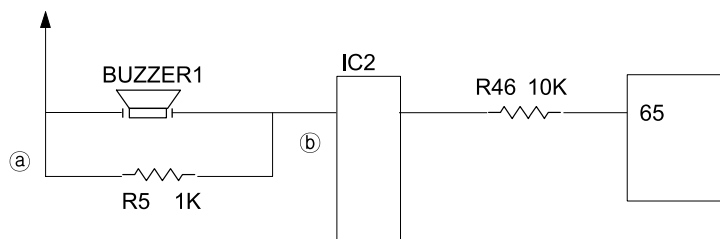
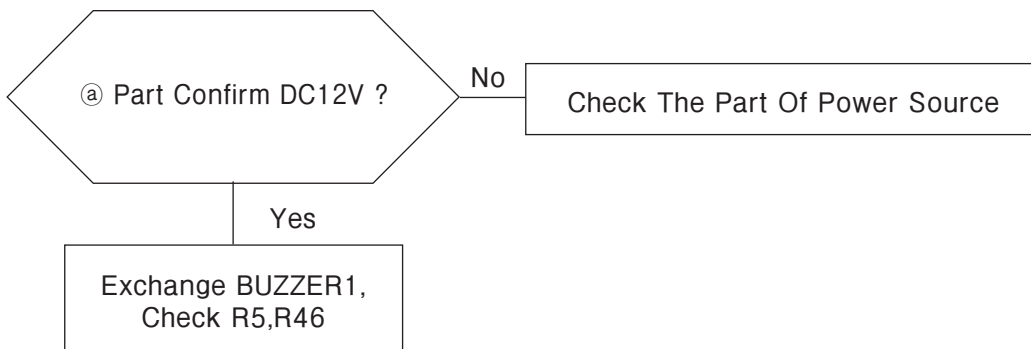
6-2-3. Interrupt Part



6-2-4. Checking The Part Of An Oscillator

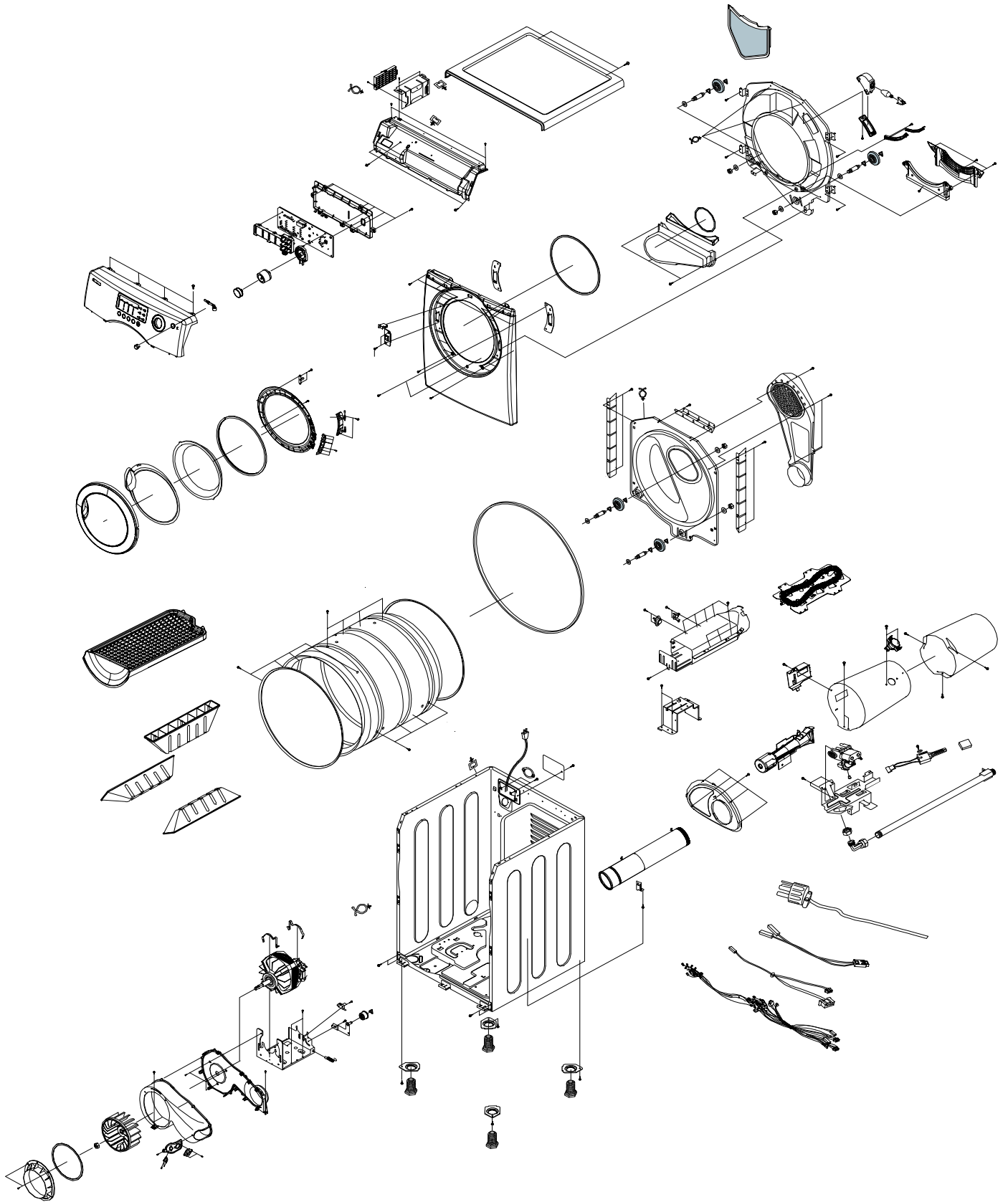


6-2-5. Check The Part Of Buzzer



Memo

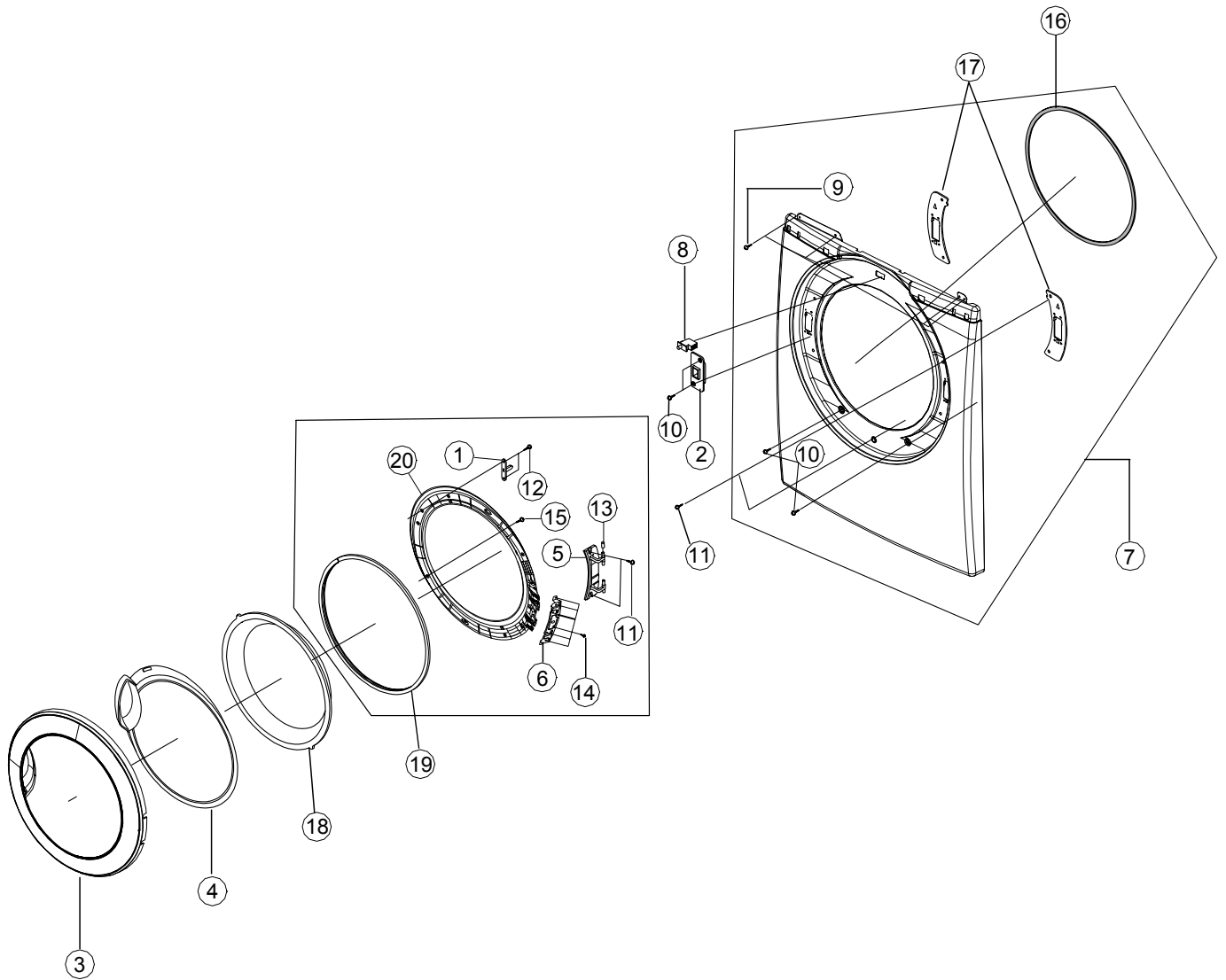
Exploded View of Whole Parts



1. Parts List of Duct, Heater, Motor

No.	CODE NO.	DESCRIPTION	SPECIFICATION	QTY
1	6021-001201	NUT-INCH	LEFT TURN,3/8"-24,ZPC(YEL),MSWR10,INCH	1
2	DC31-00055A	MOTOR-DRYER	WINGS-PJT,120V 60Hz,60Hz,120V	1
3	DC61-01214A	SPRING-PLATE	WINGS-DRYER,SK-5,MOTOR	2
4	3405-001077	SWITCH-MICRO	125V,15A,180gf,2	1
5	DC61-01215A	SPRING-TENSION	WINGS-DRYER,HSWR,BELT CONTROL	1
6	DC61-01228A	HOLDER-SHAFT	WINGS-DRYER,NYLON#6,NTR,ROLLER	1
7	DC97-07509B	ASSY-ROLLER	MDE9700AYW,DRYER/MOTOR/IDLER	1
8	DC61-01241A	GUIDE-DUCT FAN	WINGS-DRYER,TB-54,NTR	1
9	DC63-00536A	COVER-DUCT FAN	WINGS-DRYER,TB-54,NTR	1
10	DC97-07895A	ASSY-DUCT CONNECTOR	MDE9700AYW,DRYER/ELECTRIC	1
11	DC47-00018A	THERMOSTAT	60T11,250V,25A20~15030~150,25A,23.6,100M,260F-50F(HI-LIMIT)	1
12	DC99-00507A	ASSY PIPE	MDG9700AWW,GAS DRYER/ELBOW ASSY	1
13	DC62-00200A	TUBE-BURNER	WINGS-DRYER,PRESS(GAS UNIT),-,-,-,MAYTAG G/S	1
14	DC32-00008A	SENSOR-RADIANT	10RS,GD-PJT,0~150,120,4.5,100,-,-,FRAME GAS	1
15	DC67-00180A	FAN	WINGS-DRYER,FRPP(15%)	1
16	DC47-00016A	THERMOSTAT	B-2,-,250V,25A,-20~150,-40~150,25A,16,100M,-,85/SAFETY	1
17	DC96-00882B	ASSY-BRACKET IDLER	MDE9700AYW,DRYER/IDLER	1
18	DC47-00019A	HEATER-DRY	GD-PJT,-,5300W,21A,240,10,D1.3,240V5300	1
19	6002-000213	SCREW-TAPPING	TH,+,1,M4,L12,ZPC(YEL),SWRCH18	2
20	6002-000470	SCREW-TAPPING	TH,+,1,M4,L10,ZPC,SCRCH18A	5
21	6009-001342	SCREW-SPECIAL	TH,+,M5,L11,ZPC(YEL)	1
22	DC47-00022A	HEATER-IGNITOR	120V4.5A	1
23	DC61-01232A	BRACKET-BURNER	SGCC(GI),1.4t	1
24	DC61-01224A	DIE-HEATER	WINGS-DRYER,SECC(EGI),NTR,T1.0	1
25	DC61-01240A	BRACKET-THERMISTOR	WINGS-DRYER,TB-54,GUIDE-DUCT FAN	1
26	DC61-01213A	BRACKET-MOTOR	WINGS-DRYER,HGI,T2.0	1
27	6002-000231	SCREW-TAPPING	TH,+,2S,M4,L12,ZPC(YEL),SM20C	3
28	6002-000488	SCREW-TAPPING	PH,+,2S,M3,L16,ZPC(YEL),SWRCH1	1
29	6002-000231	SCREW-TAPPING	TH,+,2S,M4,L12,ZPC(YEL),SM20C	1
30	6002-000231	SCREW-TAPPING	TH,+,2S,M4,L12,ZPC(YEL),SM20C	2
31	6002-000231	SCREW-TAPPING	TH,+,2S,M4,L12,ZPC(YEL),SM20C	2
32	6002-000231	SCREW-TAPPING	TH,+,2S,M4,L12,ZPC(YEL),SM20C	1 2
33	6002-001310	SCREW-TAPPING	TH,+,2S,M3.5,L20,PASS	1
34	DC63-00623A	ABSORBER-IGNITOR	FELT,T2,W10,L10	1

2. Exploded View of Front



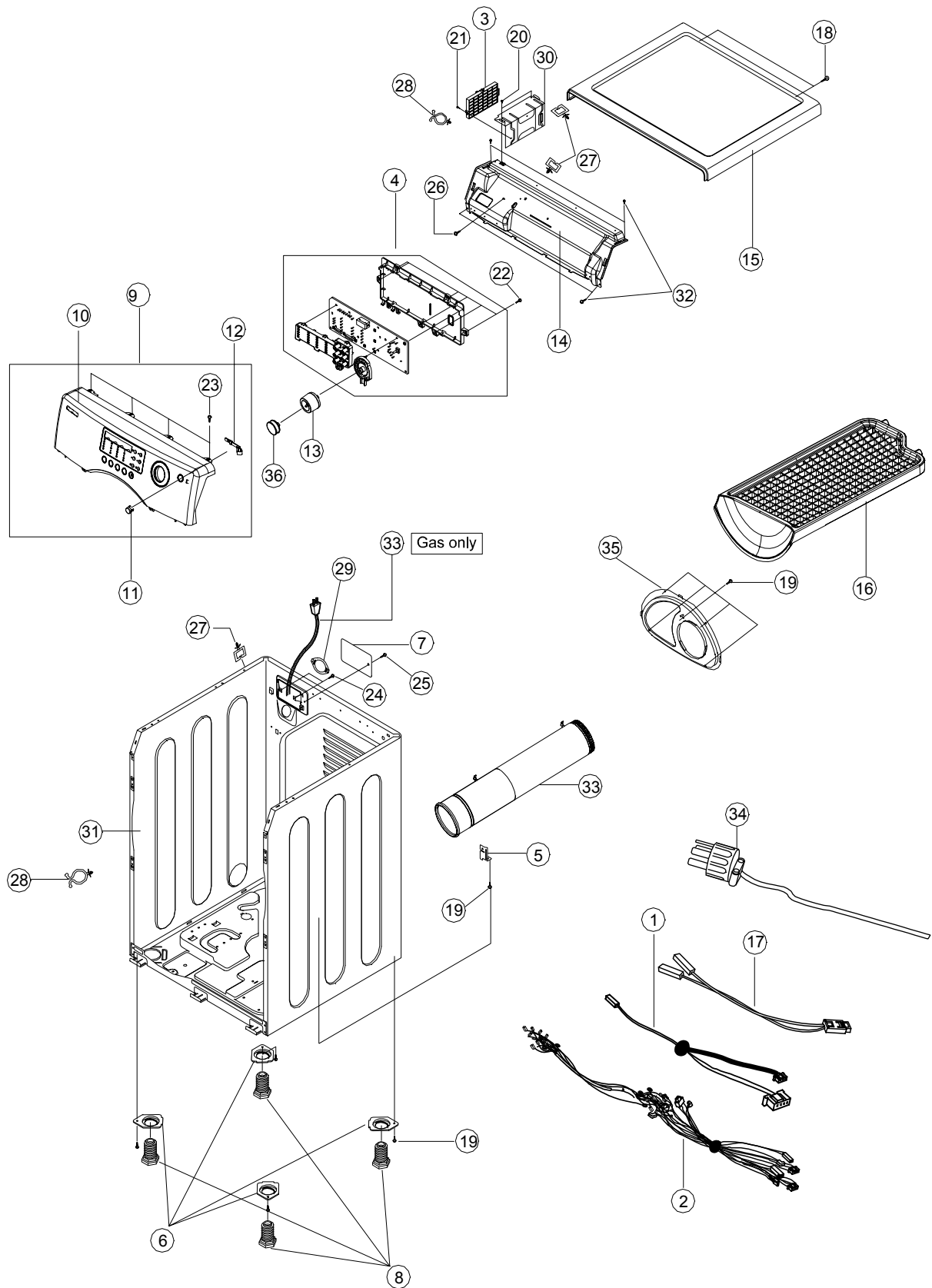
2. Parts List of Front

No.	CODE NO.	DESCRIPTION	SPECIFICATION	QTY
1	DC66-00395A	LEVER-DOOR	WINGS-DRYER,POM,NTR	1
2	DC97-07510A	ASSY-HOLDER LEVER	WINGS-DRYER,POM,NTR	1
3	DC97-10338A	ASSY-COVER DOOR	FRONTIER	1
4	DC61-01523A	HOLDER-GLASS	FRONTIER-DRYER,TB-54,GRAY	1
5	DC61-01532A	HINGE-DOOR	FRONTIER,ZNDC	1
6	DC61-01576A	SUPPORT-HINGE	FRONTIER,STS304,T1.2,HOLDER-GLASS	1
7	DC97-10350A	ASSY-FRAME FRONT	FRONTIER-DRYER,WHT	1
8	DC64-00828A	DOOR-SWITCH	GD-PJT,PA,T13.6,H38.5,W44.3,WHT,120V/15A SPE110F	1
9	6006-001172	SCREW-TAPPING	WE,TH,+,M4,L12,ZPC(YEL)	3
10	6002-001006	SCREW-TAPPING	TH,+,2S,M4,L12,PASS,STS430	4
11	6001-001773	SCREW-MACHINE	TH,+,M5,L12	4
12	6002-000444	SCREW-TAPPING	TH,2S,M4,L14,PASS,STS430	2
13	DC61-00891A	GUIDE-HINGE	HAUZEN(DOM),POM,WHT,HINGE	4
14	6002-000213	SCREW-TAPPING	TH,+,1,M4,L12,ZPC(YEL),SWRCH18	8
15	6002-000444	SCREW-TAPPING	TH,2S,M4,L14,PASS,STS430	9
16	DC72-00032B	SPONGE-EPDM	MDE9700AYW,EPDM,T3,W15,L345,BLK,FRAME-FRONT	4
17	DC61-01222A	BRACKET-HINGE	WINGS-DRYER,SECC(EGI),T1.6	2
18	DC64-00993A	DOOR-GLASS	WINGS-DRYER,GLASS,T5,TRP,G/SOURCING	1
19	DC62-00198B	SEAL-DOOR	WINGS-DRYER,SILICON,GRAY	1

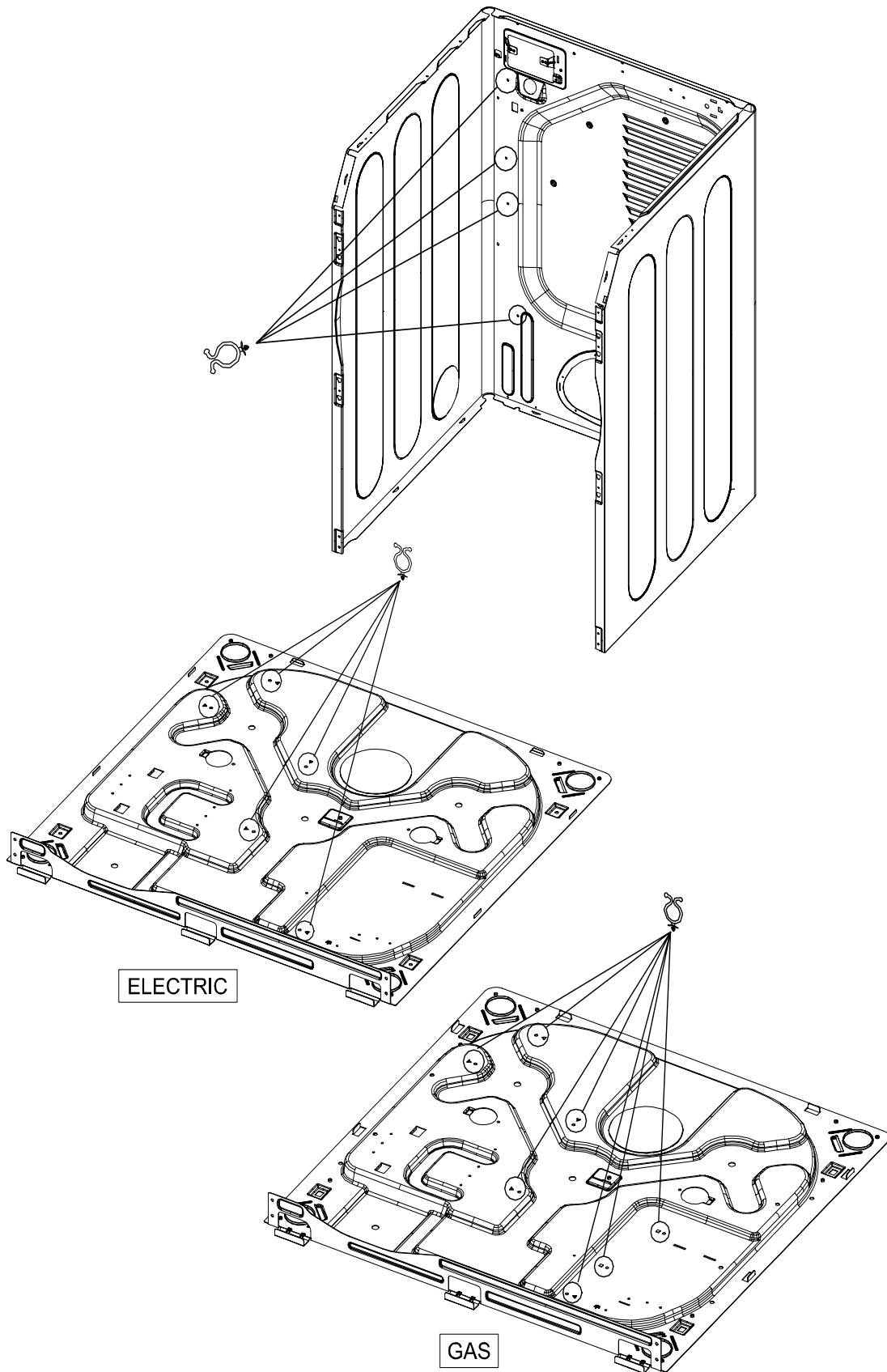
3. Parts List of Drum

No.	CODE NO.	DESCRIPTION	SPECIFICATION	QTY
1	DC97-10355A	ASSY-DRUM WRAPPER	FRONTIER-DRYER,STAINLESS	1
2	DC66-00436A	DRUM-LIFTER	WINGS-DRYER,TI-42,GRAY	3
3	DC60-50145A	NUT-HEX	MSWR10,M10	4
4	DC60-60060A	WASHER	T2,ID12,OD24,YEL	8
5	DC66-00398A	DRUM-BACK	WINGS-DRYER,STS-301,T0.6,HAIRLINE#4	1
6	DC97-07521A	ASSY-DUCT AIR	MDE9700AYW,DRYER/ELECTRIC	1
7	DC97-07523A	ASSY-ROLLER	MDE9700AYW,DRYER/EPDM	2
8	6602-001314	BELT-TIMING GEAR	0724,RUBBER(GOODYEAR),T3*W8,-,L2337,BLACK	1
9	4713-001199	LAMP-INCANDESCENT	120V,83mA,10W,NTR,22x54mm	1
10	DC61-01231A	PLATE-SENSOR	WINGS-DRYER,STS-304,T0.8,TOUCH-SENSOR	2
11	DC61-01235A	GUIDE-SENSOR	WINGS-DRYER,TI-42,GRAY,TUOCH-SENSOR	1
12	DC63-00531A	COVER-LAMP	WINGS-DRYER,PC(LEXAN#141R),TRP	1
13	DC97-07526A	ASSY-DUCT OUTLET	MDE9700AYW,SRDYER/ELECTRIC	1
14	DC61-01521A	CASE-FILTER	WINGS-DRYER,TI-42,GRAY,26*26 MESH INSERT	1
15	DC63-00675A	COVER-FILTER(B)	WINGS-DRYER,TI-42-,GRAY,BACK	1
16	6002-001204	SCREW-TAPPING	TH,+,1,M4,L16,PASS,STS304	12
17	6006-001172	SCREW-TAPPING	WE,TH,+,M4,L12,ZPC(YEL)	4
18	6002-001006	SCREW-TAPPING	TH,+,2S,M4,L12,-,STS410	1
19	DC61-01220A	GUIDE-LAMP	WINGS-DRYER,TB-54,BLK,INTERIPOR LAMP	1
20	DC63-00538A	COVER-FILTER(F)	WINGS-DRYER,TI-42,GRAY,FRONT	1
21	DC61-01238A	BRACKET-DRUM BACK(T)	WINGS-DRYER,SECC(EGI),T1.0,TOP	1
22	DC61-01237A	BRACKET-DRUM BACK(S)	WINGS-DRYER,SECC(EGI),T1.0,SIDE	2
23	6002-000239	SCREW-TAPPING	TH,+,2S,M4,L8,ZPC(YEL),SM20C	7
24	6002-001366	SCREW-TAPPING	BH,+,2S,M4(P1.8),L16,PASS,STS304	3
25	6002-001320	SCREW-TAPPING	TH,+,2S,M4,L8,PASS,STS304	1
26	6002-000231	SCREW-TAPPING	TH,+,2S,M4,L12,ZPC(YEL),SM20C	3
27	6002-001320	SCREW-TAPPING	TH,+,2S,M4,L8,PASS,STS304	1
28	DC47-00021A	SOCKET-LAMP	WINGS-DRYER,125V,0.6A,-,125V75W	1
29	DC97-10362A	ASSY-S.DRUM FRONT	FRONTIER-DRYER,EGI,WHT	1
30	DC97-08889A	ASSY-GUIDE SENSOR	WINGS-DRYER,PREMIUM	1
31	6046-000310	STAND OFF	ID11.5,L2,NTR,NYLON66,DAWH-3NA	3
32	DC61-40081A	HOLDER-WIRE	DAWH-2NC,NYLON66,-,-,-,NTR(PI18.5)	1
33	DC97-07521C	ASSY-DUCT AIR	MDG9700AWW,DRYER/GAS	1

4. Exploded View of Frame, Panel-Control



4. Exploded View of Frame, Panel-Control



4. Parts List of Frame, Panel-Control

No.	Part Number	DESCRIPTION	SPECIFICATION	QTY
1	DC96-00763A	ASSY-FLAT WIRE HARNESS	GR-PJT,FLAT WIRE	1
2	DC96-00764A	ASSY-M.WIRE HARNESS	GR-PJT,HEATER USA	1
2-1	DC96-00765A	ASSY-M.WIRE HARNESS	GR-PJT,GAS USA	1
3	MFS-FTDT-00	ASSY PCB PARTS	MDE27-00 DRYER	1
4	MFS-F12DL-S0	ASSY PCB PARTS	MDP27-S0 DRYER	1
5	DC61-01233A	GUIDE-EXHAUST	WINGS-DRYER,SECC(EGI),T0.8	1
6	DC61-01226A	BRACKET-LEG	WINGS-DRYER,SECC(EGI),T1.6	4
7	DC97-08855A	ASSY-COVER POWER	WINGS-DRYER,SECC(EGI),T0.8,NTR	1
8	DC61-01212A	LEG	WINGS-PROJECT,FRPP	1
9	DC97-10358A	ASSY-PANEL CONTROL	FRONTIER-DRYER,GOOD	1
10	DC64-01122A	PANEL-CONTROL	FRONTIER-DRYER,ABS,WHT	1
11	DC64-01105A	BUTTON-PUSH(P)	FRONTIER,ABS,WHT	1
12	DC66-00383A	LEVER-POWER	GW-PJT,POM,NTR,PREMIUM	1
13	DC97-10511A	ASSY-KNOB ENCODER	FRONTIER	1
14	DC61-01525A	FRAME-PLATE(U)	FRONTIER-DRYER,SECC(EGI),NTR,T1.0	1
15	DC63-00523A	COVER-TOP	GW-PJT,SBHG1-A,T1.6,W684,L562,WHT,G100	1
16	DC61-01522A	DIE-RACK DRY	FRONTIER-DRYER,TB-54,GRAY	1
17	DC96-00766A	ASSY-WIRE HARNESS	GR-PJT,SUB/TOUCH SENSOR	1
18	6002-001305	SCREW-TAPPING	TH,+,2S,M5,L10,PASS	2
19	6002-000239	SCREW-TAPPING	TH,+,2S,M4,L8,ZPC(YEL),SM20C	10
20	6002-000231	SCREW-TAPPING	TH,+,2S,M4,L12,ZPC(YEL),SM20C	3
21	6002-000231	SCREW-TAPPING	TH,+,2S,M4,L12,ZPC(YEL),SM20C	1
22	6002-000213	SCREW-TAPPING	TH,+,1,M4,L12,ZPC(YEL),SWRCH18	5
23	6002-000231	SCREW-TAPPING	TH,+,2S,M4,L12,ZPC(YEL),SM20C	4
24	6002-000231	SCREW-TAPPING	TH,+,2S,M4,L12,ZPC(YEL),SM20C	2
25	6002-001172	SCREW-TAPPING	WE,TH,+,M4,L12,ZPC(YEL)	1
26	6006-001170	SCREW-TAPPING	WS,TH,+,M4,L10,ZPC(YEL)	1
27	DC61-60074A	CLAMPER-WIRE SADDLE	NYLON#66(DAWS-6NB),NTR	3
28	DC61-40081A	HOLDER-WIRE	DAWH-2NC,NYLON66,NTR(PI18.5) / ELECTRIC	9
28-1			DAWH-2NC,NYLON66,NTR(PI18.5) / GAS	11
29	DC61-01428A	HOLDER-POWER	MDE9700AYW,PP,WHT,POWER CORD	1

8. ELECTRICAL PARTS LIST

-You can search for updated part codes through ITSELF web site.

URL : <http://itself.sec.samsung.co.kr/>

Loc. No.	Code No.	Description & Specification	QTY	SA/SNA	REMARK
H0001	DC96-00791A	ASSY-MOTOR DUCT;MDE7800AYW,240V/60HZ	1	SNA	
Z0050	6002-000231	SCREW-TAPPING;TH,+,-,2S,M4,L12,ZPC(YEL),	2	SA	
U0095	6602-001314	BELT-TIMING GEAR;0724,RUBBER(GOODYEAR),T	1	SA	
H0032	DC96-01112A	ASSY-MOTOR;MDE9700AYW,DRYER/MOTOR	1	SA	
H0002	DC31-00055A	MOTOR-DRYER;-;WINGS-PJT,-,120V 60HZ,-,-,	1	SA	
	DC96-00790B	ASSY-BRACKET MOTOR;MDE9700AYW,DRYER/MOTO	1	SA	
H0004	DC61-01213A	BRACKET-MOTOR;WINGS-DRYER,HGI,T2.0,-,-,	1	SA	
H0073	DC61-01215A	SPRING-TENSION;WINGS-DRYER,HSWR,-,-,-,-,	2	SA	
C0103	3405-001077	SWITCH-MICRO;125V,15A,180gf,2	1	SA	
Z0051	6002-000488	SCREW-TAPPING;PH,+,-,2S,M3,L16,ZPC(YEL),	1	SA	
Z0033	6009-001342	SCREW-SPECIAL;TH,+,-,M5,L11,ZPC(YEL),SWR	1	SA	
	DC61-01449A	HOLDER-BRACKET;MDE9700AYW,HSWR,T2.5,W30,	1	SNA	
H0082	DC96-00882B	ASSY-BRACKET IDLER;MDE9800AYW,DRYER/IDLE	1	SA	
R0165	DC61-01228A	HOLDER-SHAFT;WINGS-DRYER,NYLON#6,-,-,-,N	1	SA	
H0008	DC61-01230A	BRACKET-IDLER;WINGS-DRYER,SECC(EGI),T2.0	1	SNA	
H0083	DC66-00401A	SHAFT-IDLER;WINGS-DRYER,STS-410,-,-,-,-,	1	SNA	
H0081	DC97-07509B	ASSY-ROLLER;MDE9700AYW,DRYER/MOTOR/IDLER	1	SA	
H0084	DC66-00402A	ROLLER-IDLER;WINGS-DRYER,POM,-,-,-,-,MOT	1	SA	
	6601-001291	BEARING-OILLESS;-;ID13,OD21.8,L22,FE+OIL	1	SNA	
	DC97-07508A	ASSY-COVER DUCT;MDE7800AYW,DRYER	1	SNA	
W0035	DC32-00007A	THERMISTOR;N3S1-K41-S1,10K,10KOHM 25,-40	1	SA	
F0005	DC47-00016A	THERMOSTAT;B-2,-,250V,25A,-20-150,-40-15	1	SA	
W0013	DC61-01240A	BRACKET-THERMISTOR;WINGS-DRYER,TB-54,-,-,	1	SA	
U0371	DC61-01241A	GUIDE-DUCT FAN;WINGS-DRYER,TB-54,-,-,-,W	1	SA	
H0013	DC63-00536A	COVER-DUCT FAN;WINGS-DRYER,TB-54,-,-,-,-	1	SA	
Z0039	6002-000470	SCREW-TAPPING;TH,+,-,1,M4,L10,ZPC(YEL),S	5	SC	
Z0050	6002-000231	SCREW-TAPPING;TH,+,-,2S,M4,L12,ZPC(YEL),	3	SA	
Z0053	6021-001201	NUT-INCH;LEFT TURN,3/8"-24,ZPC(YEL),MSW	1	SA	
H0080	DC61-01214A	SPRING-PLATE;WINGS-DRYER,SK-5,-,-,-,-,-,	2	SA	
H0048	DC67-00180A	FAN;WINGS-DRYER,FRPP(15%),,-,-,-,MO	1	SA	
	DC66-00440A	BLADE-BLOWER;WINGS-DRYER,FRPP(15%),,-,-,-	1	SNA	
H0040	DC61-01205A	BUSH-FAN;WINGS-DRYER,STS430,-,-,-,-,FAN	1	SNA	
Z0006	6002-000213	SCREW-TAPPING;TH,+,-,1,M4,L12,ZPC(YEL),S	2	SNA	
R0001	DC97-10356A	ASSY-DRUM;DV736E4/XAA,FRONTIER	1	SNA	
Z0006	6002-000213	SCREW-TAPPING;TH,+,-,1,M4,L12,ZPC(YEL),S	3	SNA	
Z0020	6006-001174	SCREW-TAPPING;WE,TH,+M4,L12,ZPC(YEL)	11	SA	
I0064	DC61-01521A	CASE-FILTER;DV736E4/XAA(FRONTIER),FRPP(G	1	SA	
M0066	DC61-01522A	DIE-RACK DRY;WINGS-DRYER,TB-54,-,-,-,NTR,P	1	SA	
N0006	DC61-40081A	HOLDER-WIRE;DAWH-2NC,NYLON66,-,-,-,-,NTR	1	SA	
U0372	DC97-07526A	ASSY-DUCT OUTLET;MDE7800AYW,SRYER/ELECTR	1	SA	
			SNA		
D0111	DC63-10001K	SPONGE-EPDM;SWF-P12,EPDM,-,T3,W15,L530,B	1	SNA	
	DC67-00127A	DUCT-OUTLET(F);WINGS-DRYER,AL-COAT,T0.6,	1	SNA	
	DC67-00128A	DUCT-OUTLET(B);WINGS-DRYER,AL-COAT,T0.6,	1	SNA	
D0111	DC72-00032A	SPONGE-EPDM;MDE7800AYW,EPDM,-,T5,W20,L40	1	SNA	
D0111	DC72-00032C	SPONGE-EPDM;MDE7800AYW,EPDM,-,T5,W20,L38	1	SNA	
R0015	DC97-08300A	ASSY-DRUM BACK;MDG7800AWW,GAS/PREMIUM/ST	1	SNA	

Loc. No.	Code No.	Description & Specification	QTY	SA/SNA	REMARK
A0356	DC02-0014A	CHEMICALS-BOND;MDE7800AYW,-,-,ASSY-FEL	25	SNA	
R0003	DC63-00597C	SHEET-DAMPING;MDE9700AYW,BUTYL,T1.5,W100	6	SNA	
R0006	DC66-00397A	DRUM-WRAPPER;WINGS-DRYER,STS-304,T0.6,-,	1	SNA	
	DC66-00436A	DRUM-LIFTER;DV736E4/XAA,TI-42,-,-,GRY,	3	SA	
F0024	DC97-07618A	ASSY-GASKET PAD;MDE7800AYW,DRYER/DRUM-WR	2	SNA	
A0001	DC97-10370A	ASSY-CASE;DV736E4/XAA,FRONTIER-DRYER	1	SNA	
	0203-001508	TAPE-OPP;W50,,YEL	1	SNA	
V0007	6801-001310	CARD-REGISTRATION;USA,XAA,ENGLISH,MOJOJI	1	SNA	
	6902-000340	BAG PE;HDPE,T0.015,W230,L360,TRP,8,2-	1	SNA	
	DC65-60115A	BAND-PP,-,PP,T0.8,W17.5,-,WHT,-	15.2	SNA	
	DC68-02173A	LABEL-PACKING;WM,-,ART,-,W90,L175,-,WHT	1	SNA	
V0004	DC68-02219A	LABEL-WARNING;MAYTAG,-,ART+LAMI,-,W170,L	1	SNA	
A0244	DC68-02235A	LABEL-CAUTION;MAYTAG,-,ART+LAMI,-,W95,L4	1	SNA	
A0244	DC68-02236A	LABEL-CAUTION;MAYTAG,-,YUPO,-,W90,L37.0,	1	SNA	
V0002	DC68-02238A	LABEL RATING;MAYTAG,-,YUPOJI,-,W136,L37,	1	SNA	
	DC68-02298A	LABEL-POWER CORD;WF326,SEA,ART+LAMI,-,W1	1	SNA	
V0002	DC68-02309B	LABEL RATING;DV316,SEC,YUPOJI,-,W106,L25	1	SNA	
A0243	DC68-02312A	MANUAL-BOOK;DV316,SEA,ENGLISH,U.S,100MOJ	1	SNA	
	DC68-02313A	LABEL-CLEARANCE;DV316,-,ART+LAMI,-,W140,	1	SNA	
	DC68-02319A	LABEL-DIAGRAM SCHEMATIC;DV316,-,YUPO,-,-	1	SNA	
V0004	DC68-02320A	LABEL-WARNING;DV316,SEA,ART+LAMI,-,-,-,-	1	SNA	
V0004	DC68-02321A	LABEL-WARNING;DV316,SEA,ART+LAMI,-,-,-,-	1	SNA	
A0244	DC68-02322A	LABEL-CAUTION;DV316,SEA,ART+LAMI,-,-,-,-	1	SNA	
V0004	DC68-02324A	LABEL-WARNING;DV316,SEA,ART+LAMI,-,-,-,-	1	SNA	
	DC68-20091B	LABEL-BAR CODE;MOJO,W32,L125.5,-,-	1	SNA	
	DC69-00367A	SHEET-PE;GW10-PJT,PE-FOAM,T0.5,L1050,W9	1	SNA	
D0053	DC69-00923A	CUSHION-DOOR;MDE9700AYW,PS-FOAM,T8,W40,L	1	SNA	
A0015	DC69-00935B	PACKING CASE-DESIGN;DV316L,GW,SW3,-,-,W74	1	SNA	
X0007	DC69-00965A	CUSHION-BOTTOM;DV736E4/XAA,PS-FOAM,-,-,-	1	SNA	
A0197	DC69-00967A	CUSHION-TOP;WF326LAW,PS-FOAM,-,-,-,-,N	1	SNA	
	DC69-90009A	TAPE-SCOTCH PAR;FILAMENT-TAPE,-,W50,-,-	1.4	SNA	
W0002	DC96-00038G	ASSY POWER CORD;DV4006,EP3(16A)DRYER	1	SA	
C0027	DC97-10371A	ASSY-CONTROL;DV736E4/XAA,FRONTIER-DRYER	1	SNA	
Z0050	6002-000231	SCREW-TAPPING;TH,+,-,2S,M4,L12,ZPC(YEL),	7	SA	
Z0020	6006-001174	SCREW-TAPPING;WE,TH,+M4,L12,ZPC(YEL)	5	SA	
Z0048	6009-001476	SCREW-HEX;HEX,+,-,M5,L10,ZPC3(BLK),SWRCH	2	SA	
F0125	DC61-01525A	FRAME-PLATE(U);DV736E4/XAA,SECC(EGI),-,-	1	SNA	
N0006	DC61-40081A	HOLDER-WIRE;DAWH-2NC,NYLON66,-,-,-,NTR	1	SA	
A0364	DC61-60074A	CLAMPER-WIRE SADDLE,-,NYLON#66(DAWS-6NB)	1	SA	
W0037	DC96-00763A	ASSY-FLAT WIRE HARNESS;GR-PJT,FLAT WIRE	1	SA	
W0004	DC96-00765A	ASSY-M.WIRE HARNESS;GR-PJT,GAS USA	1	SA	
P0001	DC97-08634A	ASSY-COVER TOP;GW-PJT,-	1	SA	
P0053	DC63-00523A	COVER-TOP;GW-PJT,SECC(EGI),T1.0,W684,L56	1	SNA	
W0059	DC63-10002Q	SPONGE-HARNESS;KS-PJT,PU-FOAM,-,T3,W100,	1	SNA	
F0037	DC97-10357A	ASSY-FRONT;DV736E4/XAA,FRONTIER-DRYER	1	SNA	
Z0027	6001-001773	SCREW-MACHINE;TH,+,-,M5,L12,PASS,STS430,	2	SA	

Loc. No.	Code No.	Description & Specification	QTY	SA/SNA	REMARK
Z0008	6002-000444	SCREW-TAPPING;TH,+,-,2S,M4,L14,PASS,STS4	2	SA	
Z0020	6006-001174	SCREW-TAPPING;WE,TH,+,M4,L12,ZPC(YEL)	3	SA	
F0064	DC97-10353A	ASSY-FRAME FRONT;DV736E4/XAA,FRONTIER-DR	1	SNA	
Z0027	6001-001773	SCREW-MACHINE;TH,+,-,M5,L12,PASS,STS430,	2	SA	
Z0008	6002-000444	SCREW-TAPPING;TH,+,-,2S,M4,L14,PASS,STS4	2	SA	
D0048	DC61-01222A	BRACKET-HINGE;WINGS-DRYER,SECC(EGI),T1.6	2	SA	
F0103	DC61-01524A	FRAME-FRONT;DV736E4/XAA,SECC(EGI),-,WH	1	SNA	
F0042	DC64-00828A	DOOR-S/W;GD-PJT,PA,T13.6,H38.5,W44.3,-,	1	SA	
			SNA		
D0111	DC72-00032B	SPONGE-EPDM;MDE7800AYW,EPDM,-,T3,W15,L34	4	SA	
D0113	DC97-07510A	ASSY-HOLDER LEVER;MDE7800AYW,DRYER/DOOR	1	SA	
	DC61-01239A	HOLDER-LEVER;WINGS-DRYER,POM,-,-,GRY,-	1	SNA	
H0073	DC61-01295A	SPRING-TENSION;WINGS-DRYER,HSWR,CD1.2,JD	2	SNA	
D0109	DC61-01296A	GUIDE-LEVER;WINGS-DRYER(ENTRY),POM,-,-,-	2	SNA	
	DC63-00556A	COVER-HOLDER;WINGS-DRYER,POM,-,-,-,G	1	SNA	
D0001	DC97-10867A	ASSY-DOOR;DV316LW,FRONTIER(DRYER)	1	SNA	
Z0006	6002-000213	SCREW-TAPPING;TH,+,-,1,M4,L12,ZPC(YEL),S	8	SNA	
Z0008	6002-000444	SCREW-TAPPING;TH,+,-,2S,M4,L14,PASS,STS4	15	SA	
D0072	DC61-00891A	GUIDE-HINGE;HAUZEN(DOM),POM,-,-,-,WHT,HI	4	SA	
D0081	DC61-01523A	HOLDER-GLASS;DV736E4/XAA,TB-53,-,-,GRY	1	SA	
D0108	DC61-01532A	HINGE-DOOR;WF326LAW,ZNDC,T3.8,-,-,-,FR	1	SA	
D0105	DC61-01576A	SUPPORT-HINGE;FRONTIER-PJT,STS430,T1.2,-	1	SNA	
D0094	DC62-00198B	SEAL-DOOR;WINGS-DRYER,SILICON,GRY,-,-,-	1	SA	
D0061	DC64-00993A	DOOR-GLASS;WINGS-DRYER,GLASS,T5,-,-,-,TR	1	SA	
D0107	DC66-00395A	LEVER-DOOR;WINGS-DRYER,POM,-,-,-,NTR,-	1	SA	
D0010	DC97-10338A	ASSY-COVER DOOR;WF326LAW,FRONTIER	1	SA	
D0106	DC63-00673A	COVER-DOOR;WF316LAW,ABS,T2.8,-,-,-,CR-	1	SNA	
D0066	DC64-01120A	DOOR-SAFETY;WF326LAW,PET,T2.8,-,-,-,NTR,	1	SA	
	DC64-01121A	DECORATION-DOOR;WF326LAW,STS430,T0.6,-,-	1	SNA	
	0203-001838	TAPE-DOUBLE FACE;4930,EPDM,T0.6,W41,R213	10	SNA	
C0002	DC97-10358A	ASSY-PANEL CONTROL;DV736E4/XAA,GOOD MODE	1	SNA	
Z0006	6002-000213	SCREW-TAPPING;TH,+,-,1,M4,L12,ZPC(YEL),S	5	SNA	
C0105	DC64-01108A	BUTTON-ENCODER;WF326LAW,ABS,-,-,WHT,FRON	1	SA	
C0029	DC97-10511A	ASSY-KNOB ENCODER;FRONTIER,LOWES	1	SA	
C0075	DC64-01084A	KNOB-ENCODER(I);K4-PJT,ABS,-,-,-,WHT,-	1	SNA	
C0104	DC64-01106A	KNOB-ENCODER;WF326LAW,ABS,-,-,-,WHT,-	1	SNA	
	DC97-10866A	ASSY-S.PANEL CONTROL;FRONTIER(DRYER),DV3	1	SA	
	DC61-01546A	GUIDE-ENCODER;DV326LGS,ABS,-,-,-,NTR,FRO	1	SNA	
C0044	DC64-01105A	BUTTON-PUSH(P);WF326LAW,ABS,-,-,WHT,FRON	1	SA	
C0043	DC64-01110A	BUTTON-PUSH(F);WF326LAW,ABS,-,-,WHT,FRON	1	SNA	
C0008	DC64-01112A	WINDOW-ENCODER;WF326LAW,SAN,-,-,-,TRAN	1	SNA	
	DC64-01118A	BUTTON-PUSH(AG);WF326AW,ABS,-,-,TRANSPAR	1	SNA	
C0082	DC64-01122A	PANEL-CONTROL;DV736E4/XAA,ABS,-,-,-,WH	1	SNA	
A0242	DC64-01126A	INLAY-PANEL;WF316LAW,PET,T0.188,-,-,WHT,	1	SNA	
	DC64-01139A	BUTTON-PUSH(C);WF326LAW,ABS,-,-,TRANS,FR	1	SNA	

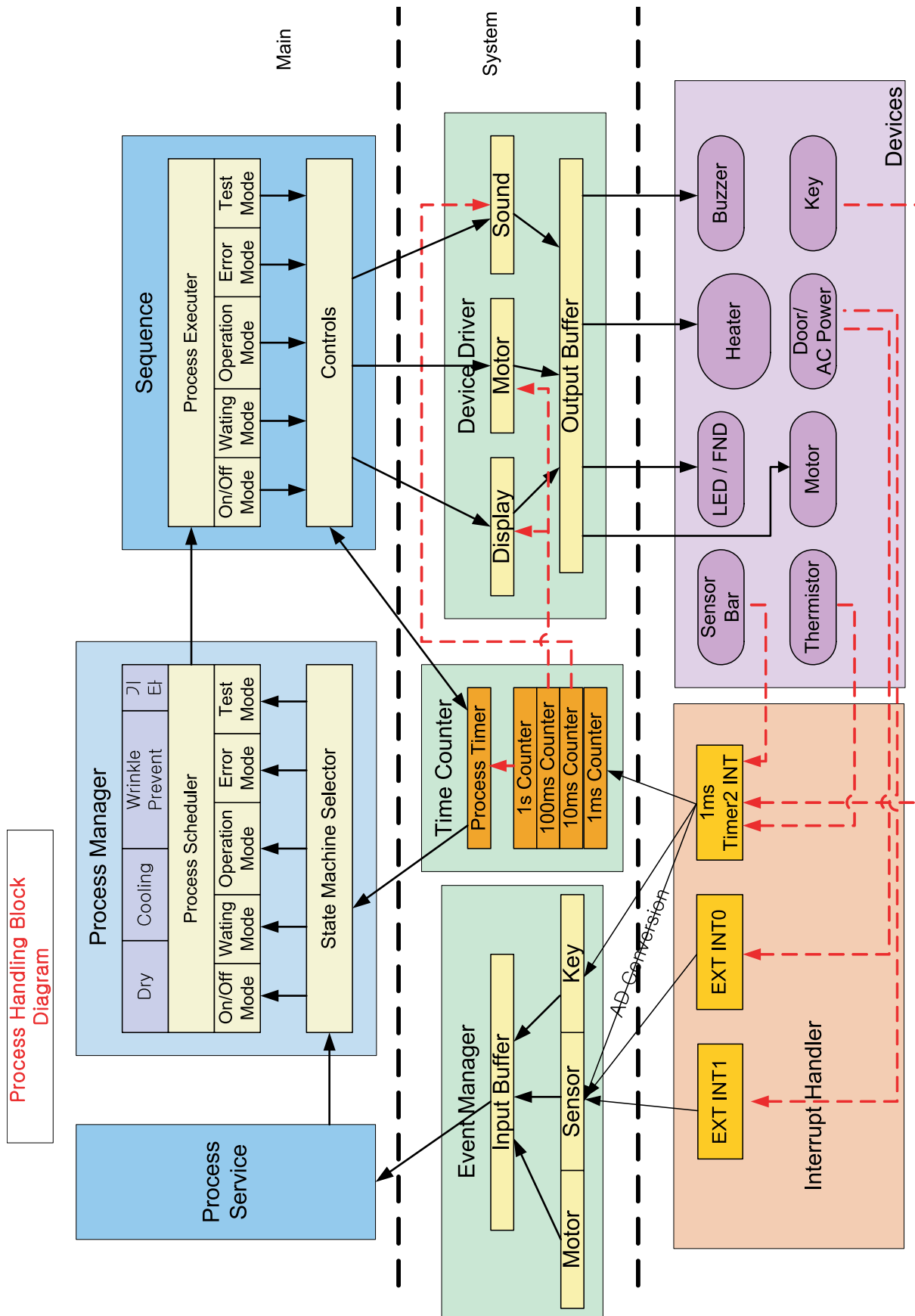
Loc. No.	Code No.	Description & Specification	QTY	SA/SNA	REMARK
C0106	DC64-01158A	MASCOT;WF326LAW,NICKEL,TO.5,W10.5,L65	1	SNA	
C0108	DC66-00413A	LEVER-POWER;GW-PJT,POM,-,-,-,NTR,ENTRY	1	SA	
Y0162	MFS-F12DL-S0	ASSY PCB PARTS(S);MFS-F12DL-S0 FRONTIER	1	SA	
	0401-000005	DIODE-SWITCHING;1N4148,75V,150mA,DO-35,T	8	SNA	
Y0063	0601-001028	LED;ROUND,Y-GRN,3mm,569nm	30	SNA	
Y0063	0601-001751	LED;ROUND,RED,3MM,630NM,-	1	SNA	
Y0051	1003-000337	IC-DARLINGTON DRIVER;KID65783AP,DIP,18P,	1	SNA	
	2003-000642	R-METAL OXIDE(S);300ohm,5%,1W,AA,TP,3.3x	11	SNA	
	2202-002037	C-CERAMIC,MLC-AXIAL;100nF,80-20%,50V,Y5V	1	SNA	
Y0087	3404-001022	SWITCH-TACT;15V,20mA,130±40gf,6x6x5mm,S	11	SNA	
	3711-000651	HEADER-BOARD TO CABLE;BOX,12P,1R,2.5mm,S	1	SNA	
	3711-003133	HEADER-BOARD TO CABLE;BOX,13P,1R,2.5mm,S	1	SNA	
C0011	DC07-00038A	LED DISPLAY;CSV-KSW07EG,FRONTIER-PJT,-,7	1	SNA	
	DC34-00003A	SWITCH PRESSURE;V7_PJT,DC28V,10mA,24,-,J	1	SNA	
	DC41-00045A	PCB-SUB;FRONTIER,FR-1,NL 1,-,T1.6,197x	1	SA	
	DC61-01207A	GUIDE-PCB(S);WINGS-DRYER,HIPS,-,-,-,NTR,	1	SNA	
	DC61-01514A	GUIDE-LED(B);WF-G106AW,HIPS,-,-,-,NTR,FR	1	SNA	
	DC61-01516A	GUIDE-LED(C);WF-G106AW,HIPS,-,-,-,NTR,FR	1	SNA	
	DE02-00036A	CHEMICALS-FLUX SOLDER;KS-77S,-,-,-,-,KOK	2	SNA	
	DE02-00060A	CHEMICALS-ALCOHOL;ALL,MODEL,-,-,-,-,-	1	SNA	
	DE02-00083A	SOLDER-WIRE;S63S,D3.0,-,-,-,-,-	10	SNA	
	DE02-00086A	SOLDER-WIRE FLUX;RS60S,-,D1.2,60SN/40PB,	1	SNA	
Y0052	DE13-20017A	IC-DRIVE;KID65003AP,DIP,16P,STICK,TR-AR	2	SNA	
	DE39-60001A	WIRE-SO COPPER;PI0.6,SN,T,52MM TAPING_W	53	SNA	
A0367	DC97-10875A	ASSY-HOLDER PCB;DV316LGW/XAA,FRONTIER/PC	1	SNA	
	DC61-01229A	HOLDER-PCB;WINGS-DRYER,SECC(EGI),T0.8,-,	1	SA	
Y0161	MFS-FTDT-00	ASSY PCB PARTS(M);MFS-FTDT-00	1	SA	
	0103-002581	RESIN-PUR;CPU-55B/UEP 700FB,-,-,94V0	94.7	SNA	
	0103-002582	RESIN-PUR;UEP 700FA/CPU-55A,-,-,94V0	47.3	SNA	
	0401-000005	DIODE-SWITCHING;1N4148,75V,150mA,DO-35,T	4	SNA	
	0402-000137	DIODE-RECTIFIER;1N4007,1KV,1A,DO-41,TP	5	SNA	
E0002	0501-000316	TR-SMALL SIGNAL;KSA928A-Y,PNP,1000mW,TO-	2	SNA	
	0504-001014	TR-DIGITAL;KSR1005,NPN,300MW,4.7K/10K,TO	1	SNA	
	0604-000118	PHOTO-COUPLER;TR,20-300%,200mW,DIP-4,ST	2	SNA	
Y0053	1103-001203	IC-EEPROM;524C20D21,256x8,DIP,8P,9.6x6.4	1	SNA	
	1202-000001	IC-VOLTAGE COMP.;7533,TO-92,3P,-,SINGLE,	1	SNA	
	1405-001129	VARISTOR;460VDC,7500A,22.5X10.1MM,BK	1	SNA	
	2001-000034	R-CARBON;220OHM,5%,1/4W,AA,TP,2.4X6.4MM	1	SNA	
	2001-000042	R-CARBON;1KOHM,5%,1/4W,AA,TP,2.4X6.4MM	1	SNA	
	2001-000047	R-CARBON;2.2KOHM,5%,1/4W,AA,TP,2.4X6.4M	1	SNA	
	2001-000052	R-CARBON(S);3.3KOHM,5%,1/2W,AA,TP,2.4X6.	1	SNA	
	2001-000073	R-CARBON;33Kohm,5%,1/4W,AA,TP,2.4x6.4mm	1	SNA	
	2001-000281	R-CARBON;100OHM,5%,1/8W,AA,TP,1.8X3.2MM	3	SNA	
	2001-000290	R-CARBON;10KOHM,5%,1/8W,AA,TP,1.8X3.2MM	15	SNA	
	2001-000429	R-CARBON;1KOHM,5%,1/8W,AA,TP,1.8X3.2MM	23	SNA	
	2001-000432	R-CARBON;1MOHM,5%,1/4W,AA,TP,2.4X6.4MM	2	SNA	

Loc. No.	Code No.	Description & Specification	QTY	SA/SNA	REMARK
	2001-000577	R-CARBON;2KOHM,5%,1/8W,AA,TP,1.8X3.2MM	1	SNA	
	2001-000734	R-CARBON;4.7KOHM,5%,1/8W,AA,TP,1.8X3.2M	6	SNA	
	2001-001113	R-CARBON(S);270KOHM,5%,1/2W,AA,TP,2.4X6.	1	SNA	
	2001-001140	R-CARBON(S);39OHM,5%,1/2W,AA,TP,2.4X6.4M	1	SNA	
	2001-001153	R-CARBON(S);47ohm,5%,1/2W,AA,TP,2.4x6.4m	1	SNA	
	2003-002036	R-METAL OXIDE(S);51Kohm,5%,2W,AA,TP,4x12	4	SNA	
	2004-000464	R-METAL;2.2Mohm,5%,1/4W,AA,TP,2.4x6.4m	2	SNA	
	2201-000153	C-CERAMIC,DISC;10nF,+80-20%,250V,Y5V,-,1	1	SNA	
	2202-000127	C-CERAMIC,MLC-AXIAL;10nF,+80-20%,25V,Y5V	12	SNA	
	2202-000252	C-CERAMIC,MLC-AXIAL;4.7nF,10%,50V,X7R,TP	2	SNA	
	2202-002037	C-CERAMIC,MLC-AXIAL;100nF,80-20%,50V,Y5V	10	SNA	
	2301-001285	C-FILM,LEAD-PPF;680NF,10%,275V,BK,31X11X	1	SNA	
	2401-000455	C-AL;10uF,20%,35V,GP,TP,4x7mm,5	1	SNA	
			SNA		
	2401-000598	C-AL;1uF,20%,50V,GP,TP,4x7,5	1	SNA	
	2401-000711	C-AL;2200uF,20%,25V,GP,TP,16x25,7,5	1	SNA	
	2401-001573	C-AL;47uF,20%,50V,GP,TP,6.3x11,2,5	1	SNA	
	2401-001778	C-AL;470uF,20%,25V,GP,TP,10x16,5	1	SNA	
Y0115	2802-000188	RESONATOR-CERAMIC;8MHz,0.5%,TP,10.0x5.0x	1	SNA	
Y0116	3501-001207	RELAY-POWER;12V DC,0.8W,30000MA,1FORMA,1	1	SNA	
Y0116	3501-001269	RELAY-POWER;12VDC,-,25000MA,1FORMA,20MS,	1	SNA	
	3711-000744	HEADER-BOARD TO CABLE;BOX,1P,1R,8MM,STRA	1	SNA	
	3711-000833	HEADER-BOARD TO CABLE;BOX,2P,1R,8MM,STRA	1	SNA	
	3711-005688	HEADER-BOARD TO CABLE;BOX,13P,1R,2.5mm,S	1	SNA	
	3711-005693	HEADER-BOARD TO CABLE;BOX,12P,1R,2.5mm,S	1	SNA	
	3711-005703	HEADER-BOARD TO CABLE;BOX,6P,1R,2.5mm,ST	1	SNA	
C0010	DC13-00148A	PLD-MICOM;TMP87PM41N/OTP,DIP,64 PIN	1	SNA	
	DC26-00005C	TRANS-POWER;-;MAH2400AW,9PIN,-,230VAC,23	1	SNA	
	DC41-00027A	PCB-MAIN;MFS-MDE27-00,FR-4,2,-,T1.6,195	1	SNA	
Y0003	DC61-01208A	GUIDE-PCB(M);WINGS-DRYER,HIPS,-,-,-,NTR,	1	SNA	
	DE02-00036A	CHEMICALS-FLUX SOLDER;KS-77S,-,-,-,KOK	2	SNA	
	DE02-00060A	CHEMICALS-ALCOHOL;ALL,MODEL,-,-,-,-,-	2	SNA	
	DE02-00083A	SOLDER-WIRE;S63S,D3.0,-,-,-,-,-	20	SNA	
	DE02-00086A	SOLDER-WIRE FLUX;RS60S,-,D1.2,60SN/40PB,	1	SNA	
	DE13-20007A	IC-OP AMP;KA2904,DIP,-,-,-,-	1	SNA	
Y0057	DE13-20016A	IC-VOLT REGU;KA7805A,TO-220AB,1A,0/125C,	1	SNA	
Y0052	DE13-20017A	IC-DRIVE;KID65003AP,DIP,16P,STICK,TR-AR	1	SNA	
Y0040	DE29-90002A	FILTER-EMI BEAD;S,80/100MHZ-MIN65,T,BFS3	1	SNA	
Y0010	DE30-20016A	BUZZER;CBE2220BA,STICK,-,-,-,-,-	1	SNA	
Z0007	6002-000239	SCREW-TAPPING;TH,+,-,2S,M4,L8,ZPC(YEL),S	1	SC	
U0363	6502-000127	CABLE CLAMP;DAWH-18NB,ID15,-,NYLON66,NTR	1	SA	
A0364	DC61-60074A	CLAMPER-WIRE SADDLE;-;NYLON#66(DAWS-6NB)	1	SA	
F0001	DC97-10871A	ASSY-FRAME CASE;DV316LGW/XAA,FRONTIER-DR	1	SNA	
Z0050	6002-000231	SCREW-TAPPING;TH,+,-,2S,M4,L12,ZPC(YEL),	6	SA	
Z0007	6002-000239	SCREW-TAPPING;TH,+,-,2S,M4,L8,ZPC(YEL),S	10	SC	
Z0062	6002-001384	SCREW-TAPPING;TH,+,-,WT,C-TITE,M4,L10,ZPC(1	SNA	
Z0019	6006-001170	SCREW-TAPPING;TH,+,-,WT,TC,M4,L10,ZPC(YEL)	1	SA	

Loc. No.	Code No.	Description & Specification	QTY	SA/SNA	REMARK
Z0020	6006-001174	SCREW-TAPPING;WE,TH,+,M4,L12,ZPC(YEL)	2	SA	
	6009-001317	SCREW-SPECIAL;CH,+, -,M4,L10,ZPC(YEL),SWR	2	SNA	
Z0021	6009-001343	SCREW-SPECIAL;PH,TORX, -,M4,L10,PASS,STS,	1	SA	
P0077	DC61-00882A	HOLDER-D.WIRE;-,NYLON66, -, -,NTR,TT-PJT	1	SNA	
F0228	DC61-01224A	DIE-HEATER;WINGS-DRYER,SECC(EGI), -, -,NTR	1	SA	
F0229	DC61-01233A	GUIDE-EXHAUST;WINGS-DRYER,SECC(EGI),T0.8	1	SA	
N0006	DC61-40081A	HOLDER-WIRE;DAWH-2NC,NYLON66, -, -, -,NTR	11	SA	
A0364	DC61-60074A	CLAMPER-WIRE SADDLE;-,NYLON#66(DAWS-6NB)	1	SA	
A0282	DC63-00534A	COVER-BACK;WINGS-DRYER,SECC(EGI),T0.8, -,	1	SA	
D0111	DC63-10001J	SPONGE-EPDM;EPDM,BLK,SDW-801SW,T3XW15XL1	2	SNA	
	DC67-00202A	CAP-PLATE BOTTOM;MDE9700AYW,ABS,T2.0,W54	3	SNA	
U0382	DC96-00806A	ASSY-BRACKET BURNER;MDE9700AYW,DRYER/GAS	1	SNA	
W0061	DC47-00022A	HEATER-IGNITER;101D,MDG7800AW,CERAMIC,12	1	SA	
U0381	DC61-01232A	BRACKET-BURNER;WINGS-DRYER,SECC(EGI),T1.	1	SA	
U0387	DC62-00200A	TUBE-BURNER;WINGS-DRYER,PRESS(GAS UNIT),	1	SA	
U0386	DC62-00201A	VALVE-GAS;GD-PJT, -,3WAY,MAX 10BAR,NTR,12	1	SA	
U0388	DC63-00623A	ABSORBER-IGNITOR;MDE9700AYW,FELT,T2,W10,	1	SA	
I0070	DC99-00507A	ASSY-PIPE;MDG4800AWW,GAS DRYER/ELBOW ASS	1	SA	
	DC60-00040A	ELBOW;WINGS-DRYER,C3771BE, -, -, -, -,	1	SNA	
	DC61-01223A	BRACKET-PIPE;WINGS-DRYER,SECC(EGI),T2.0,	1	SNA	
	DC62-00234A	TUBE-PIPE;WINGS-DRYER,PRESS(GAS UNIT), -,	1	SNA	
Z0048	6009-001476	SCREW-HEX;HEX,+, -,M5,L10,ZPC3(BLK),SWRCH	1	SA	
	DC97-09193A	ASSY-SCREW;MDG9700AWW,NUT-CIRCULAR+SCREW	1	SNA	
Z0062	6002-000524	SCREW-TAPPING;TH,+,2,M4,L20,ZPC(YEL),SWR	1	SA	
Z0063	6021-001130	NUT-CIRCULAR;SPN-4,ID3.8,OD12,BLK,SK-5,H	1	SA	
Z0020	6006-001174	SCREW-TAPPING;WE,TH,+,M4,L12,ZPC(YEL)	3	SA	
B0070	DC97-07514A	ASSY-LEG;MDE9700AYW,DRYER/MAYTAG	4	SA	
B0074	DC61-01212A	LEG;WINGS-PROJECT,FRPP, -, -, -, -	1	SA	
B0075	DC61-01226A	BRACKET-LEG;WINGS-DRYER,SECC(EGI),T1.6,-	1	SA	
F0028	DC97-07516B	ASSY-FRAME;MDG9700AWW,MAYTAG/PREMIUM/GAS	1	SA	
F0094	DC61-01199B	FRAME;WINGS-PROJECT,PCM, -, -,WHT,T0.8	1	SNA	
Y0159	DC61-01314A	PLATE-STEEL;MDE7800AYW,PCM(GI),T0.8,W961	1	SNA	
X0014	DC61-01225A	PLATE-BOTTOM;WINGS-DRYER,SECC(EGI),T1.0,	1	SNA	
A0113	DC63-00621A	SHEET-INSULATION;MDE9700AYW,FELT,T5,W200	1	SNA	
F0117	6041-001035	RIVET-RH;K1661-0512,AL(A5052),OD3.9,L11	4	SNA	
A0370	DC97-07519A	ASSY-DUCT EXHAUST;MDE7800AYW,DRYER	1	SA	
	DC61-01234A	BRACKET-EXHAUST;WINGS-DRYER,AL-COAT,T0.8	2	SNA	
	DC67-00131A	DUCT-EXHAUST;WINGS-DRYER,SGCC(GI),T0.4,-	1	SNA	
D0111	DC72-00032D	SPONGE-EPDM;MDE7800AYW,EPDM, -, T3,W15,L32	1	SNA	
F0117	6041-001030	RIVET-RH;K1661-00410,AL(A5052),D3.2,L10	2	SNA	
P0170	DC97-08855A	ASSY-COVER POWER;MDE9700AYW,-	1	SA	
F0089	DC63-00540A	COVER-POWER;WINGS-DRYER,SGCC(GI),T0.8, -,	1	SA	
A0356	DC66-60133C	SHEET-DAMPING;SEW-HR125,ASPHALT,T1.8,W50	1	SNA	
	DC97-10720A	ASSY-DUCT;MDG9700AWW,GAS	1	SA	
Z0050	6002-000231	SCREW-TAPPING;TH,+, -,2S,M4,L12,ZPC(YEL),	3	SA	
Q0007	DC32-00008A	SENSOR-RADIANT;10RS,GD-PJT,0-150,120,4.5	1	SA	

Loc. No.	Code No.	Description & Specification	QTY	SA/SNA	REMARK
F0005	DC47-00017A	THERMOSTAT;60T21,-,250V,15A/25A,-20-150,	1	SA	
A0376	DC97-07602B	ASSY-DUCT CONE;MDG9700AWW,GAS/ENTRY	1	SA	
Z0050	6002-000231	SCREW-TAPPING;TH,+,-,2S,M4,L12,ZPC(YEL),	3	SA	
A0377	DC67-00136B	DUCT-CONE(F);WINGS-DRYER,AL-COAT,T0.6,-,	1	SA	
A0378	DC67-00137B	DUCT-CONE(B);WINGS-DRYER,AL-COAT,T0.6,-,	1	SA	

9. BLOCK DIAGRAM

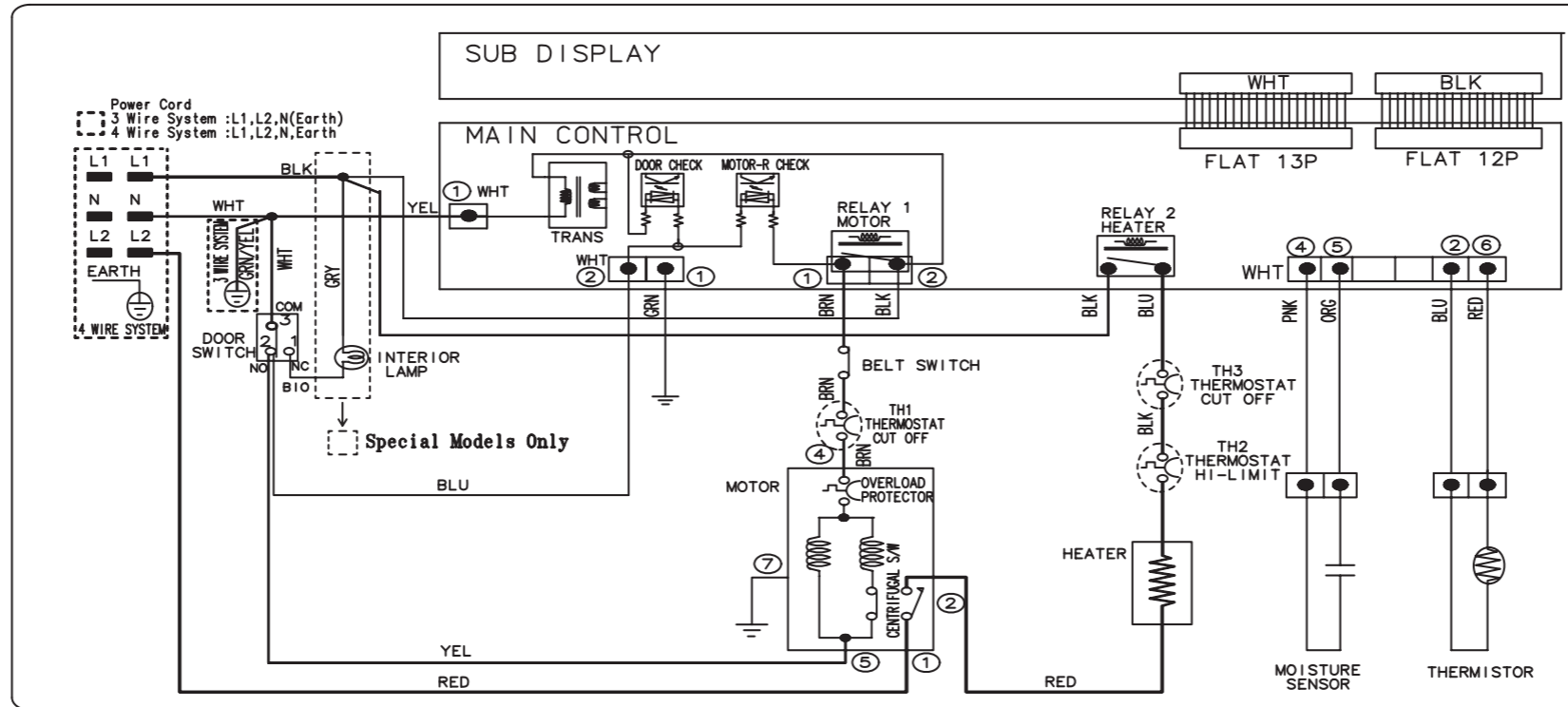


Process Handling Block Diagram

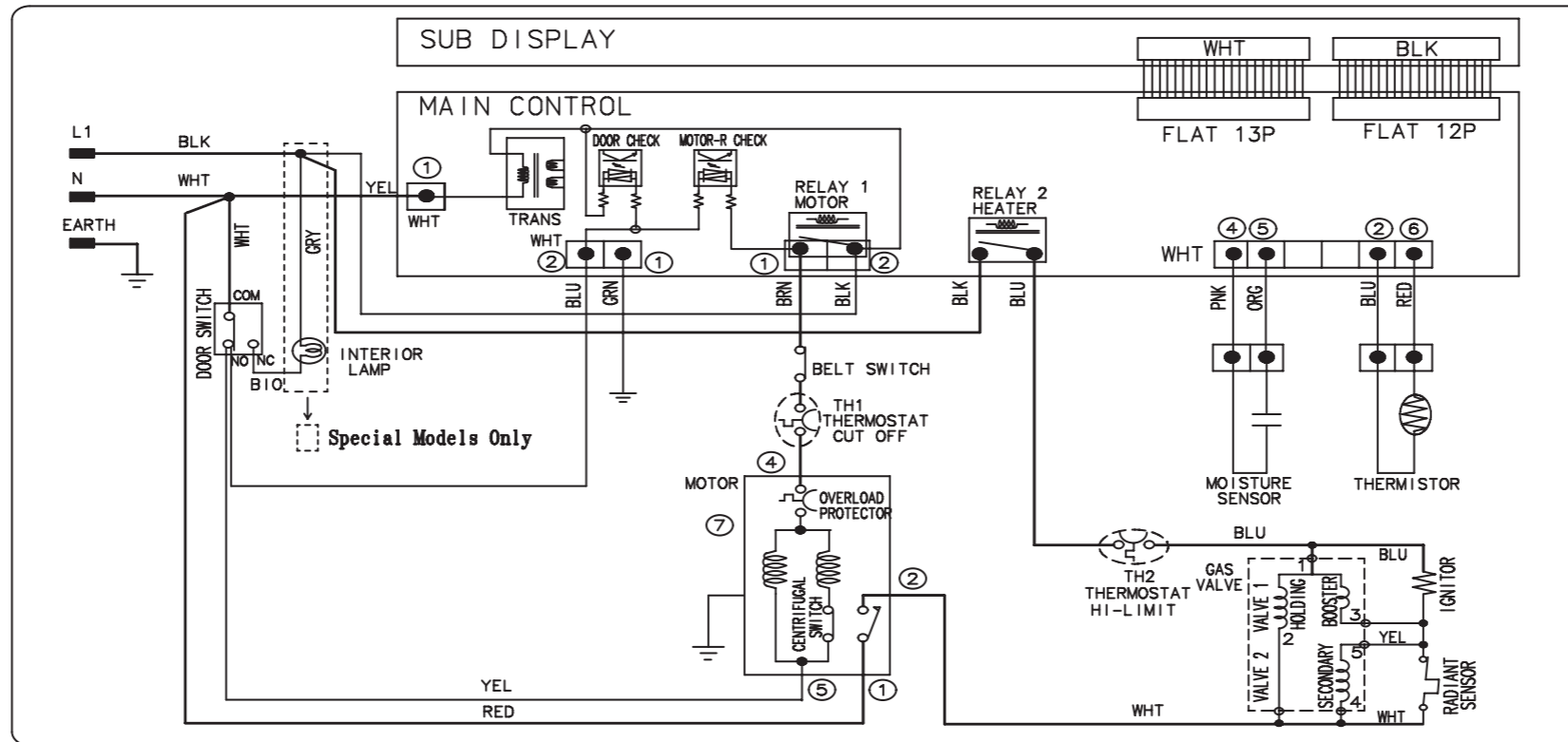
Memo

10. WIRING DIAGRAM

ELECTRIC DRYER WIRING DIAGRAM



GAS DRYER WIRING DIAGRAM

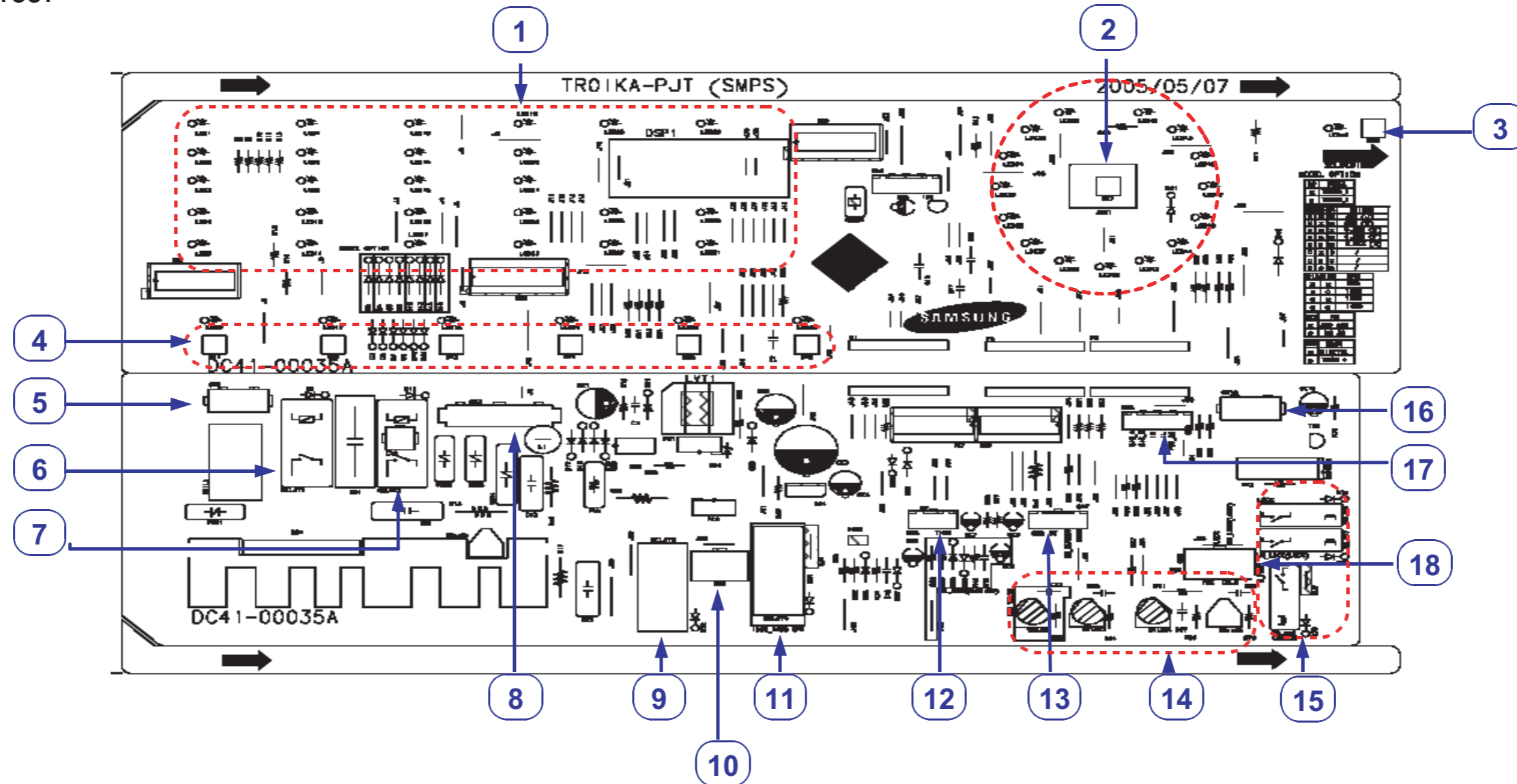


DC68-02319A

Memo

11. PCB DIAGRAM

11-1 MAIN PCB LAYOUT



Item	Part Number	Description
1	Display	Displays or indicates operations or functions
2	Jog_Dial	Starts/stops an operation to select a course
3	Power_key	Turns the power on/off
4	Key	Selects and processes each function
5	CN1	Detects if the door is open or closed
6	RELAY1	In case of Power_On/Off, supplies or disconnects AC power
7	RELAY2	Disconnects Power from the Heater

Item	Part Number	Description
8	CN3	AC1과 GND를 연결함
9	RELAY3	Motor의 정/역 방향을 제어함
10	CN4	Motor의 동작 Wire를 연결함
11	RELAY4	고 RPM진행시 On/Off 제어함
12	CN6	Heat Sink의 온도Sensor를 연결함
13	CN7	수위,온도Sensor를 연결함
14	구동부	냉/온/Pre/Drain 동작용 부품

Item	Part Number	Description
15	Door System	Parts for Door Lock/Unlock
16	CN10	Connects Motor Tacho Sensor
17	CN8	Connects the silver nano wire
18	CN9	Connects the driving system wire

11-2 Connector & Relay Terminals Description (MAIN PCB)

RELAY1

- A)Connects to AC2
- B)Connects to AC2-1
- COMMON

RELAY2

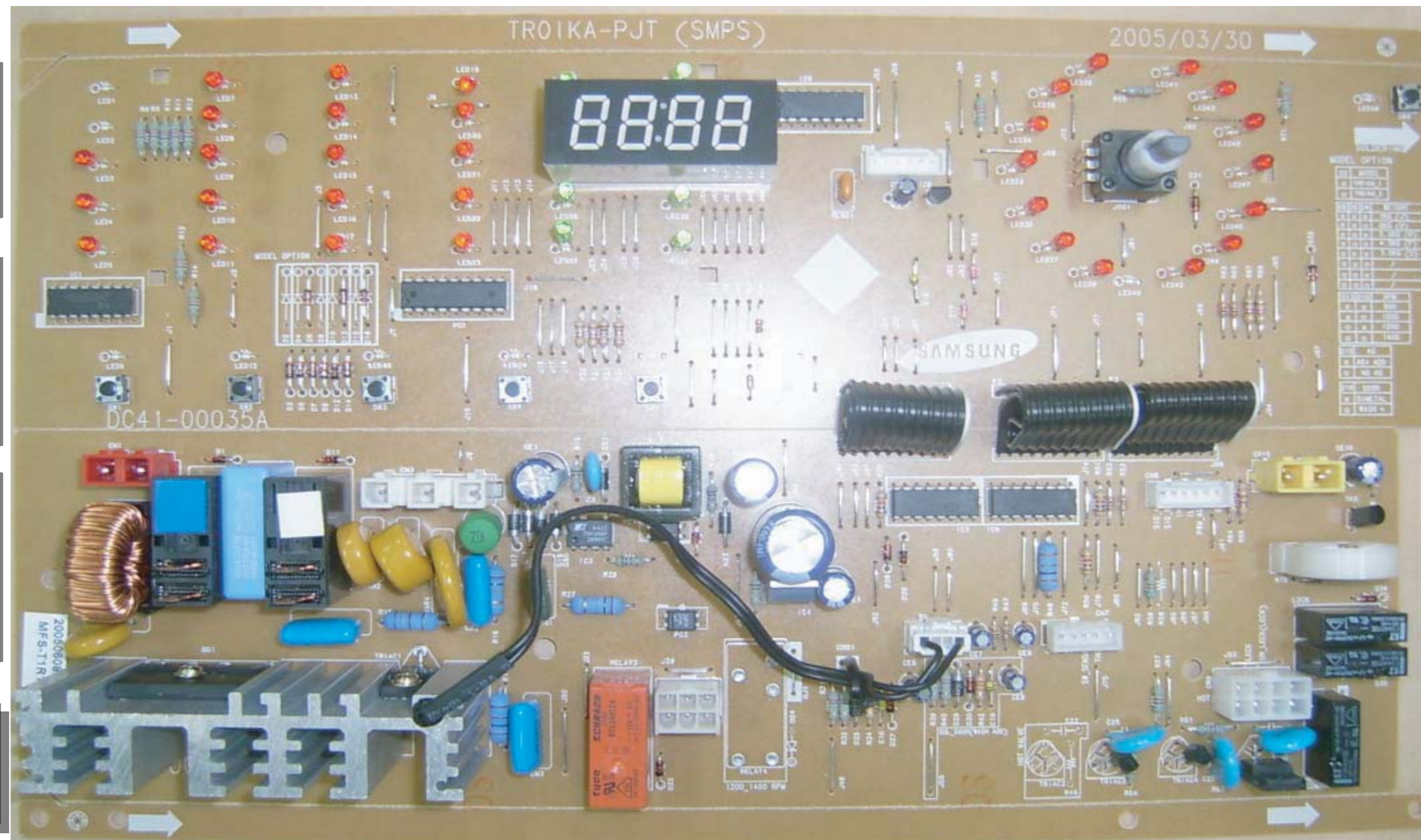
- A)Connects to the HEATER
- B)Connects to the HEATER

CN1

- A)Connects to the D00R LOCK Signal
- B)Connects to the D00R LOCK Signal

CN3

- ②Connects to AC1
- ③Connects to GROUND



CN8

- ①Connects to SIG-A
- ②Connects to SIG-B
- ③Connects to IH
- ⑤Connects to PWM
- ⑥Connects to GROUND

CN10

- A) Connects to the TACHO SENSOR
- B) Connects to the TACHO SENSOR

CN4

- ①Connects to the MOTOR STATOR
- ③Connects to the MOTOR STATOR
- ④Connects to the MOTOR STATOR
- ⑤Connects to the MOTOR STATOR
- ⑥Connects to the MOTOR STATOR

CN6

- ①Connects to the TEMP SENSOR
- ④Connects to the TEMP SENSOR

CN7

- ①Connects to GORUND
- ②Connects to 5V
- ③Connects to 5V
- ④Connects to the WATER SENSOR
- ⑤Connects to the TEMP SENSOR

CN9

- ①Connects to the DRAIN-MOTOR
- ②Connects to the COLD VALVE
- ③Connects to the PRE VALVE
- ④Connects to the HOT VALVE
- ⑥Connects to the ROLD DOOR S/W

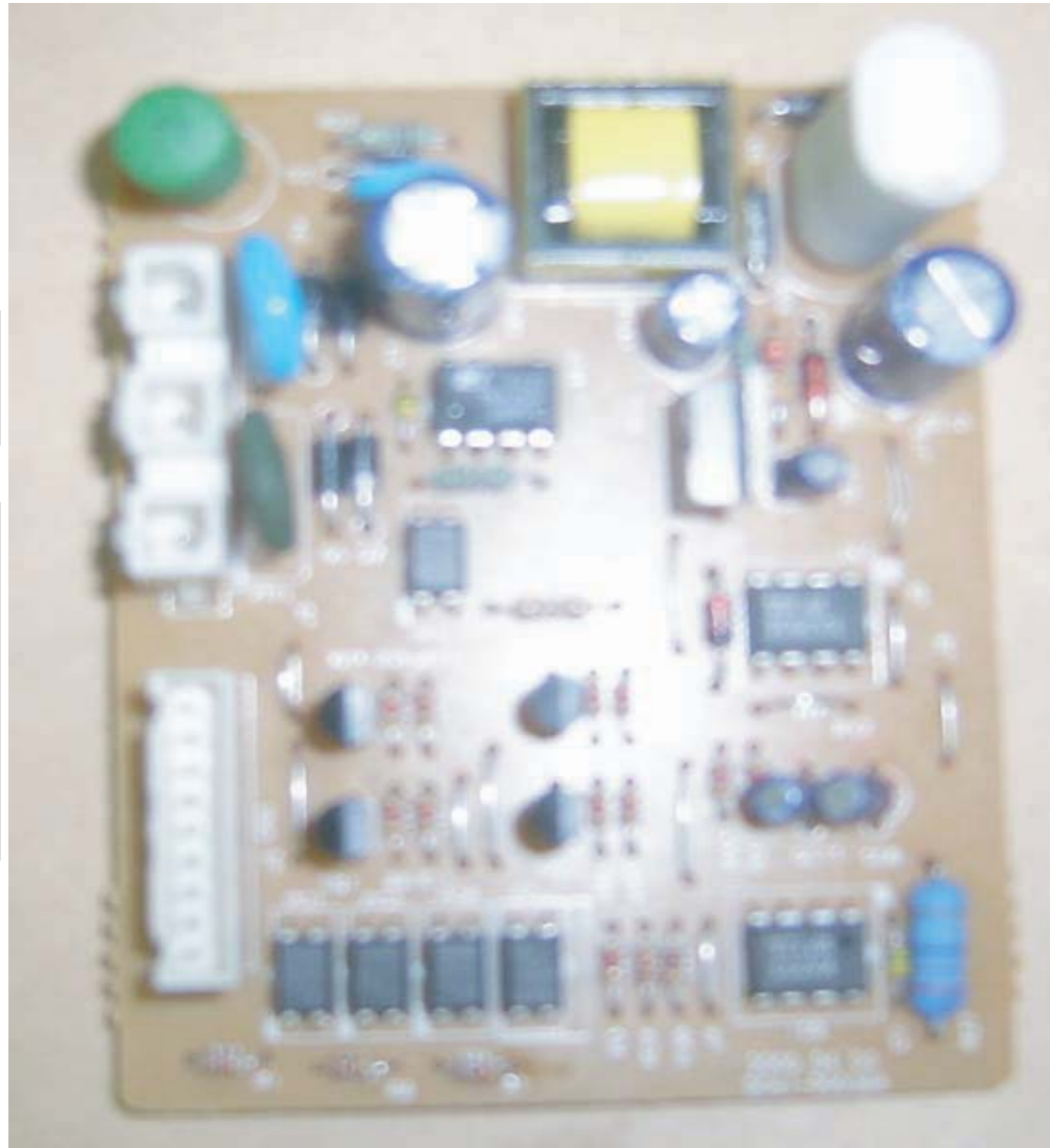
11-3 Connector & Relay Terminals Description (AG-KIT PBA)

CN1

- ①Connects to AC1
- ③Connects to AC2

CN7

- ①Connects to GORUND
- ②Connects to IH
- ③Connects to PWM
- ④Connects to SIGNAL-B
- ⑤Connects to SIGNAL-A
- ⑧Connects to AG-B
- ⑨Connects to AG-A

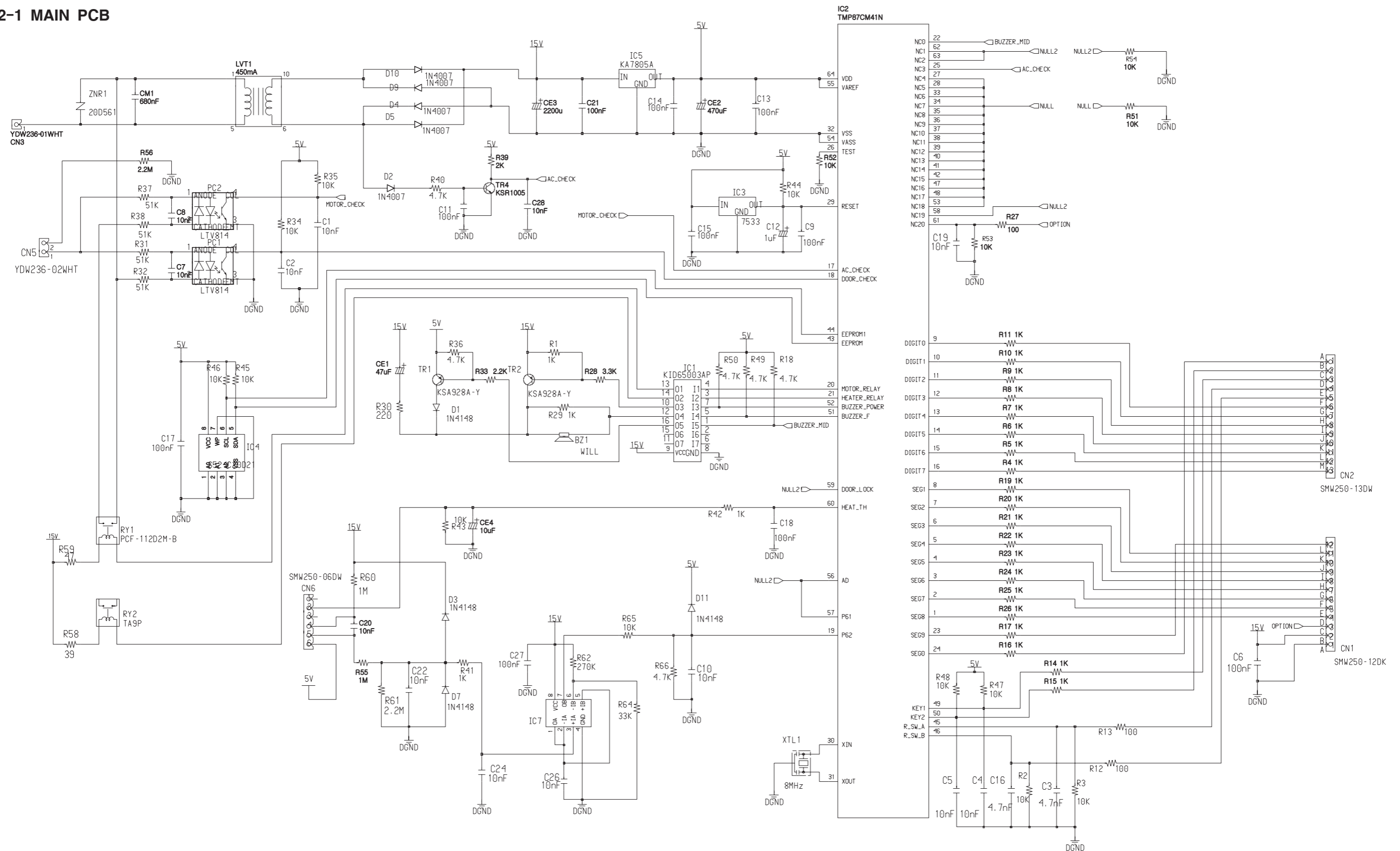


Memo

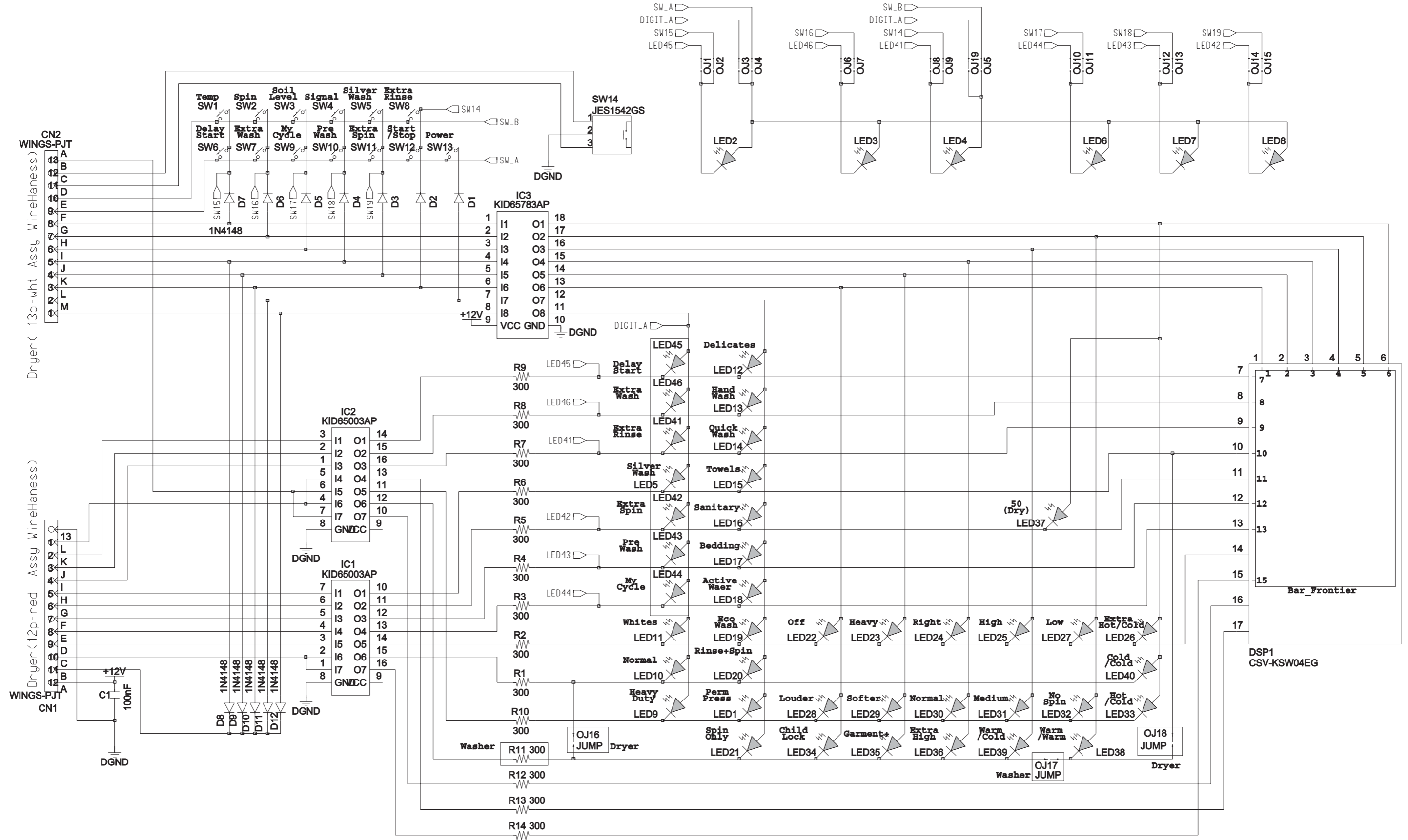
12. SCHEMATIC DIAGRAMS

* This Document can not be used without Samsung's authorization.

12-1 MAIN PCB

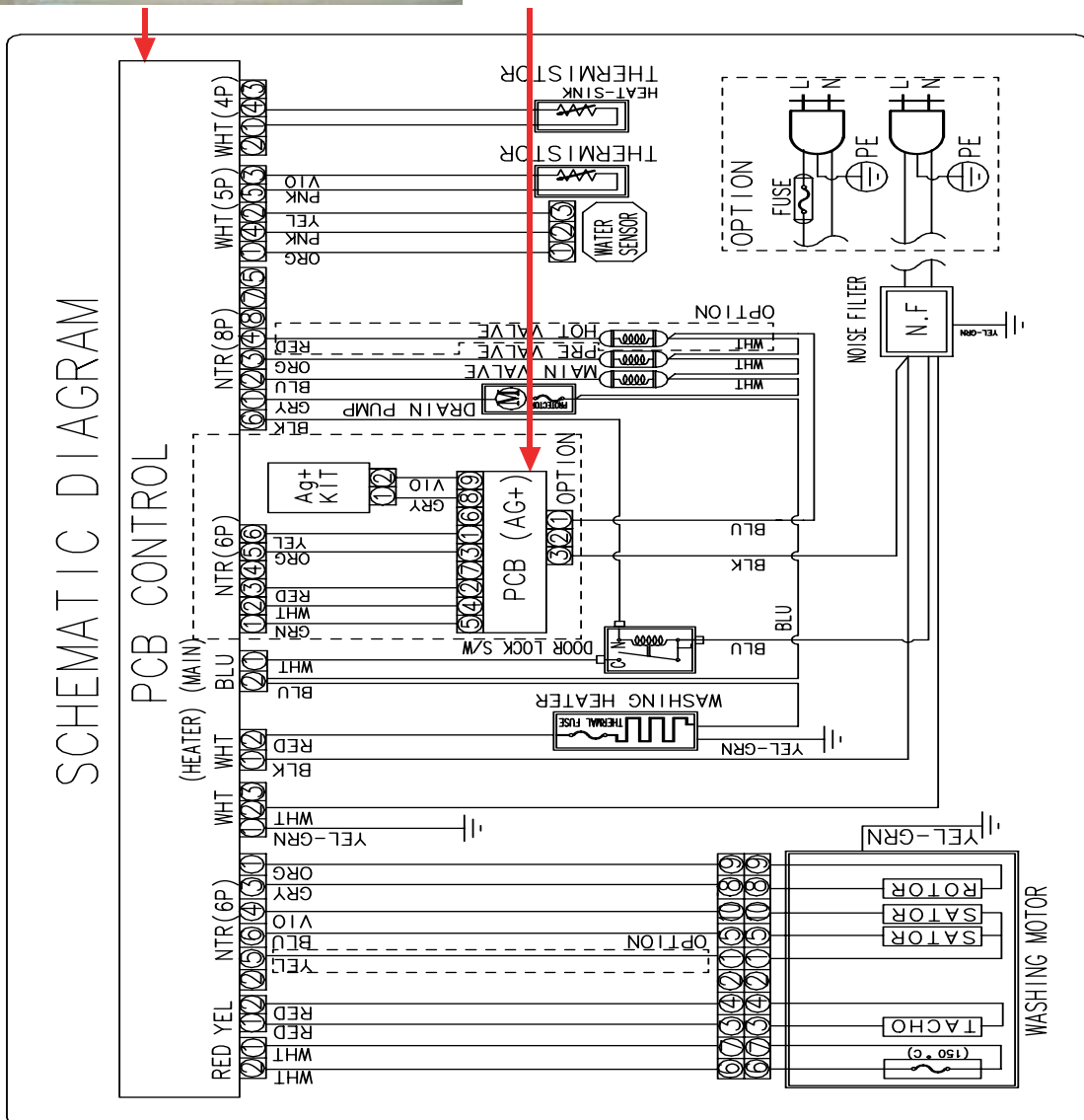
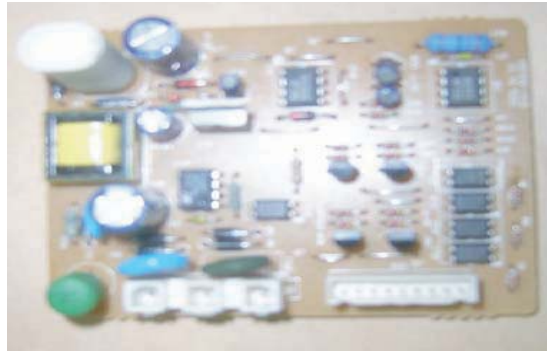


12-2 SUB PCB

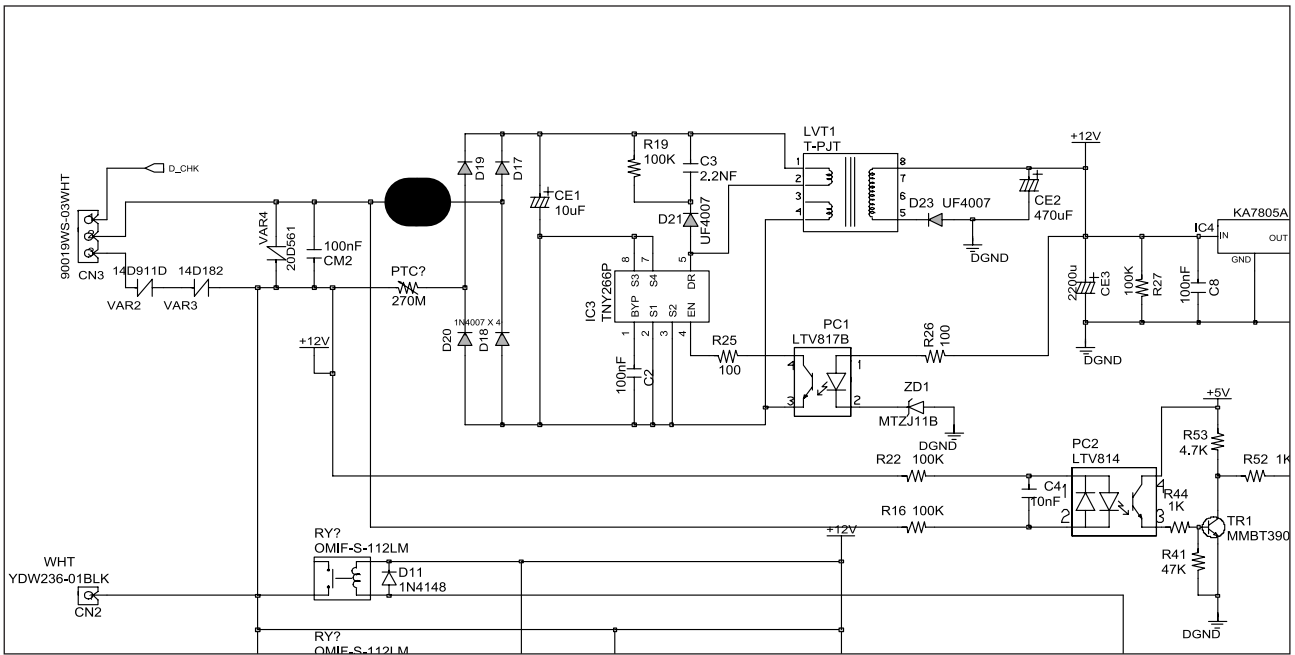


13. CIRCUIT DESCRIPTIONS

13-1. OVERALL SYSTEM



12-2. AC Input & Power Circuit



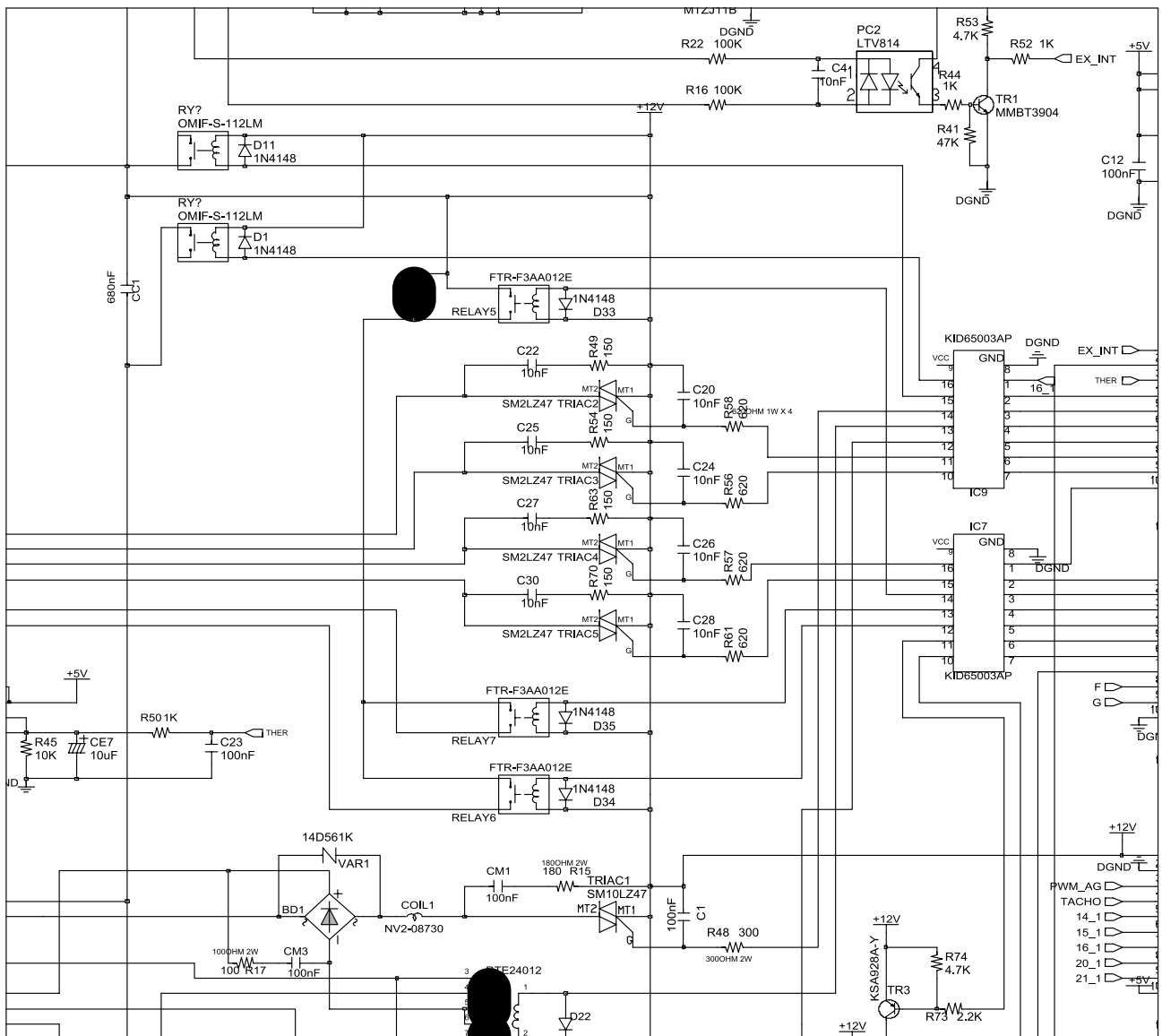
► Function

Generates a required DC power of 12V or 5V in case of supplied or disconnected AC power.

► Description

- When AC 220V is applied to CN3, D17 D20 transforms it to DC 300V.
- DC 300V is generated for the LVT1 secondary source by IC3 and PC1 turning on/off.
- The secondary 12V depends on the ZD1 value.
- The 12V for the LVT1 secondary source is transformed to DC 5V through IC4

12-3. Driving System Circuit



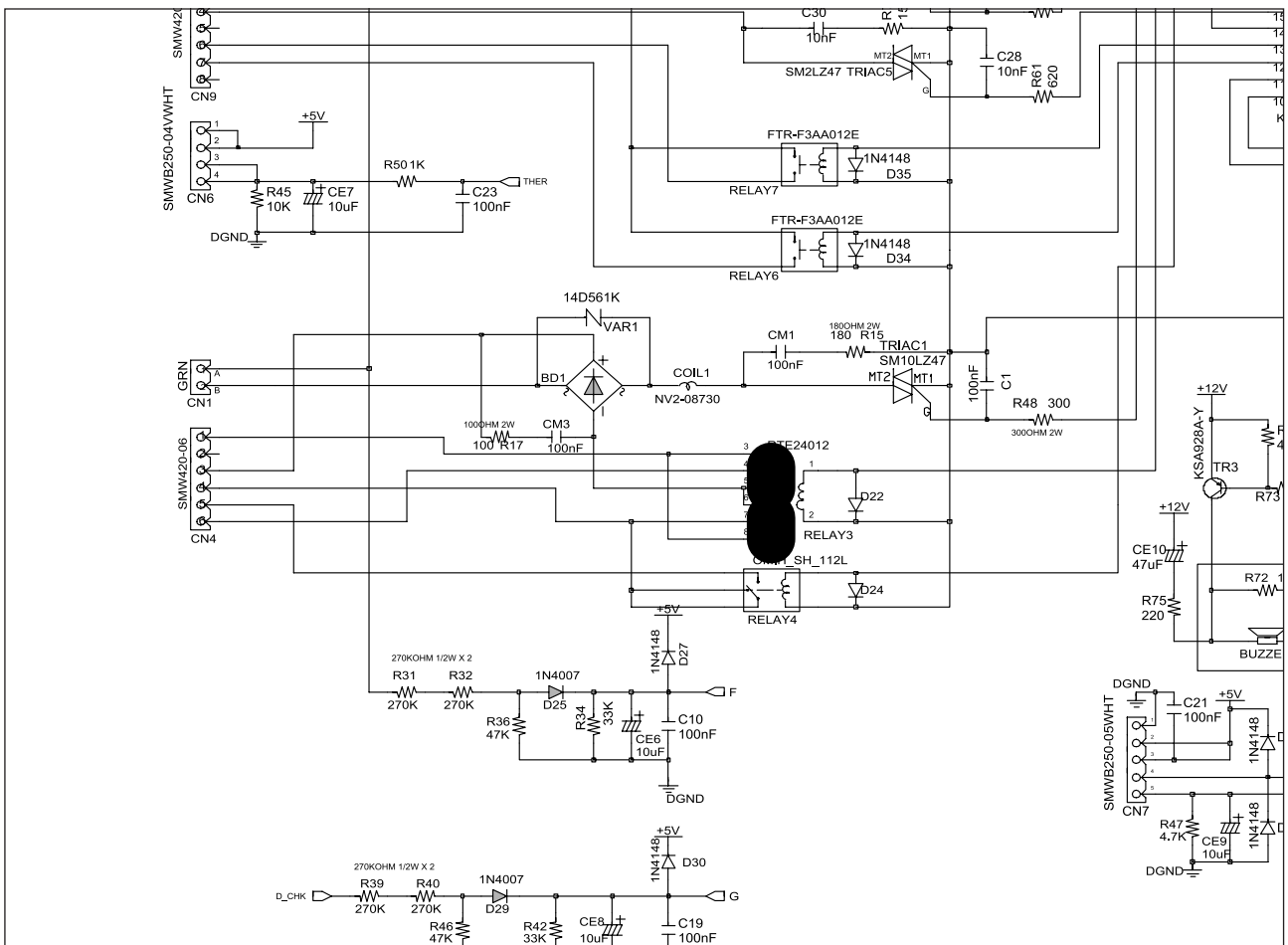
► Function

Controls each driving system (VALVE, DOOR S/W, DRAIN-MOTOR) by turning RELAY or TRIAC on/off.

► Description

- MICOM outputs a high signal of 5V from pin # 1 - 7 of IC7 and IC9.
- Then, pin # 10 to 16 of IC7 and IC9 are electrically grounded (0V).
- When pin # 10 to 16 are grounded, this creates an electric potential difference from the 12V that turns on RELAY 5,6,7 and TRIAC2,3,4,5.
- The operating parts (VALVE, DRAIN-MOTOR, DOOR S/W) connected to CN9 turn on if they are supplied with power.

12-4. Motor Circuit



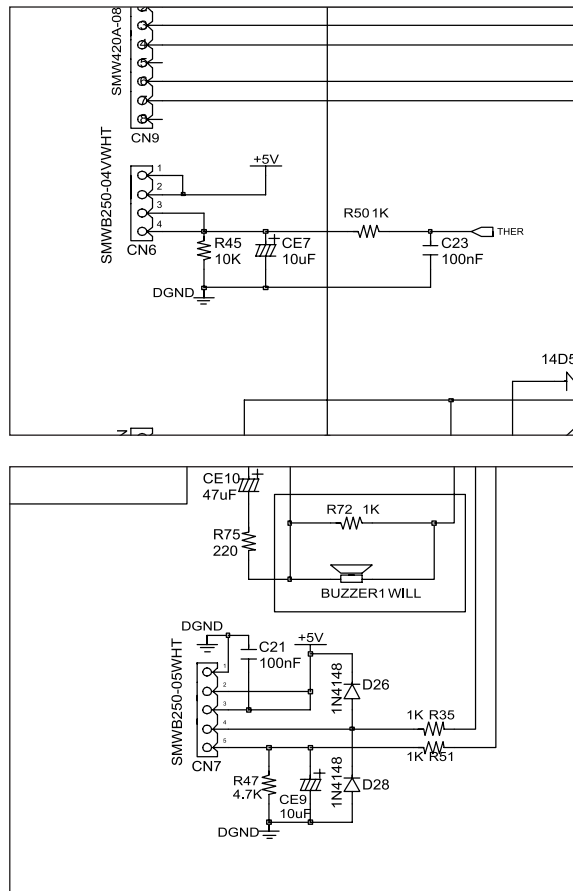
► Function

Supplies power to the motor and turns it CW/CCW (Right / Reverse direction).

► Description

- The operation of TRIAC1 is the same as that of the driving system.
- If the electric potential of R48 is grounded (0V), TRIAC1 turns on.
- CN1 detects if the door is locked or unlocked. If unlocked, it does not apply power to the motor even if TRIAC1 turns on.
- If the door is unlocked and TRIC turns on, the motor connected to CN4 is supplied with power and drives CW (right direction).
- Under such conditions, turning RELAY3 on will drive the motor CCW (reverse) as the wiring is switched to CCW.
- Turning RELAY4 on will switch the winding of the motor to one for higher driving.

12-5. Sensor Detection Circuit



► Function

Detects signals from the sensor and controls the current system.

► Description

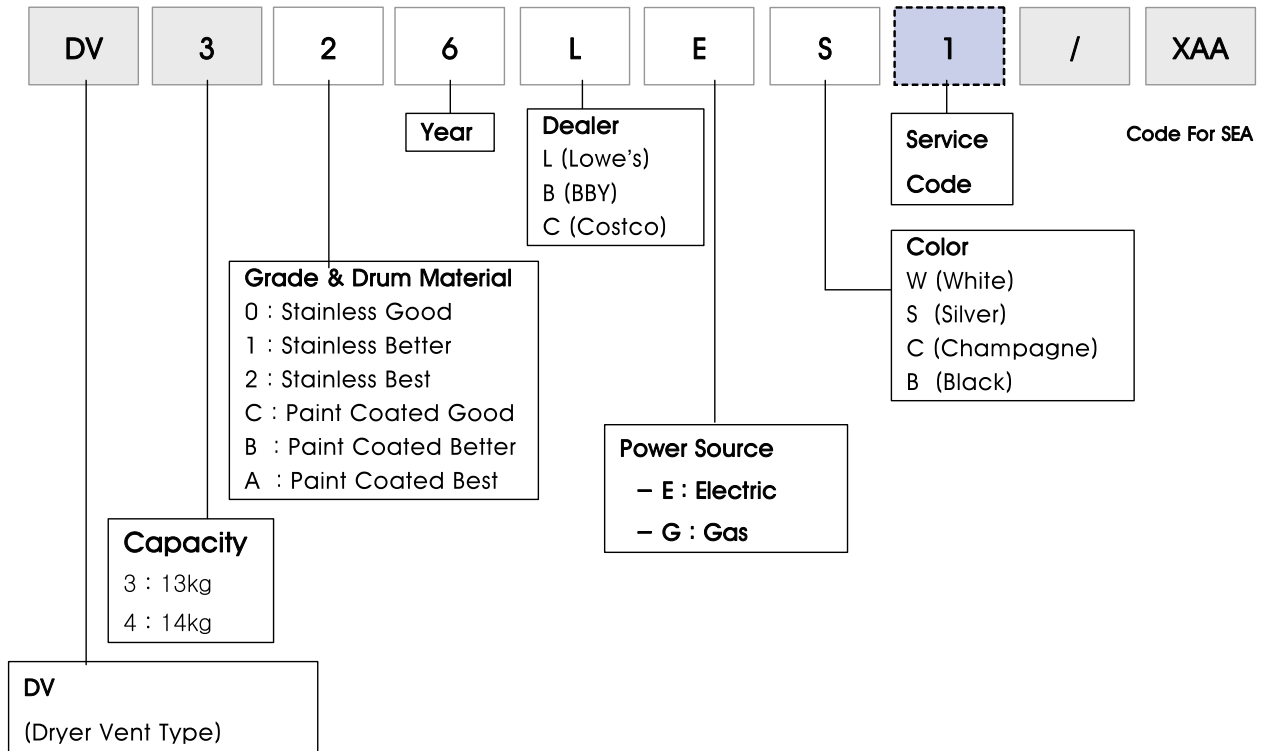
- The water level sensor is connected to pin 4 of CN7.
- The frequency of the level sensor changes according to the water amount in the tub.
- Then, the frequency is input to MICOM pin 48 for detecting the water amount.
- The DHSEH sensor is connected to CN7 pin 5 and CN6 pins 3,4.
- The resistance of the temp. sensor changes according to the ambient temperature. The changed resistance is applied to R50 and R51.
- The voltage applied to R50 and R51 is decided according the temp. MICOM stores the value.
- When voltage is applied to MICOM pins 22 and 23, MICOM compares it to the predefined one before detecting the current temp.

Memo

14. REFERENCE INFORMATION

14-1. MODEL NAME

Dryer Nomenclature



14-2. TERMINOLOGY

- 1) ASSY-MAIN PCB (Imbalance Sensor)
 - To prevent the laundry from gathering on one side of the tube causing noise and vibration, the washing machine uses an imbalance detection device that evenly disentangles the laundry before the hydrating cycle starts.
- 2) DOOR-LOCK S/W
 - Prevents the door from being opened while a cycle is in progress. For safety purposes, it keeps the door locked even in pause mode or after the washing cycle unless the water level frequency is greater than 24.8Khz (anti-overflow level) or the inside-tube temperature is less than 65°C in the hydrating cycle, and 55°C in the washing cycle.
- 3) SENSOR-PRESSURE (Anti Over-Flow)
 - When the water supplied is more than 2/3 of the tube capacity due to a malfunction of the water supply valve, this device automatically starts water-draining and displays “OVER-FLOW ERROR(E3)” on the LED.
- 4) THERMISTOR
 - Keeps sensing and controlling the temperature inside the tube to keep it below your settings.
- 5) ASSY-THERMAL FUSE (Anti Over-Heat)
 - When the washing heater is overheated due to an error in the thermistor or any other malfunction, the assy-thermal fuse (built in the heater) is automatically activated to disconnect the power for your and the product’s safety.
- 6) ASSY-MAIN PCB (Sensitive Laundry Protection)
 - To avoid any damage to sensitive laundry, the tube temperature is detected and “ERROR(E8)” is displayed on the LED for Wool or Lingerie courses when the temperature is over 50°C.
- 7) THERMOSTAT (Anti Over-Heat)
 - When the heater (drier) overheats from an error in the thermistor or any other malfunction, the thermostat (installed on the drying duct) is automatically activated to disconnect the power for your or product’s safety
- 8) CHILD LOCK
 - Prevents children from playing with the washing machine.













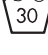














9) PRE-WASH

→ The machine does a preliminary wash of about 10 minutes prior to the main wash. This is particularly effective for cleaning badly stained laundry.

10) WEIGHT SENSOR

→ The tube automatically rotates when no water is supplied to detect the laundry weight so that the proper wash time can be determined. (Standard, Boiling, Economy Boil and Dirt courses and Toweling and Drying cycles)

14-3. FABRIC CARE CHART

	Resistant material		Can be ironed at 100 ° C max
	Delicate fabric		Do not iron
 	Item may be washed at 95 ° C		Can be dry cleaned using any solvent
 	Item may be washed at 60 ° C		Dry clean with perchloride, lighter fuel, pure alcohol or R113 only
 	Item may be washed at 40 ° C		Dry clean with aviation fuel, pure alcohol or R113 only
 	Item may be washed at 30 ° C		Do not dry clean
	Item may be hand washed		Dry flat
	Dry clean only		Can be hung to dry
	Can be bleached in cold water		Dry on clothes hanger
	Do not bleach		Tumble dry, normal heat
	Can be ironed at 200 ° C max		Tumble dry, reduced heat
	Can be ironed at 150 ° C max		Do not tumble dry

11-4. ELECTRICAL WARNINGS

To reduce the risk of fire, electrical shock, and other injuries, keep these safety precautions in mind:

- Operate the appliance only from the type of power source indicated on the marking label.
If you are not sure of the type of power supplied to your home, consult your appliance dealer or local power company.
- Use only a grounded or polarized outlet. For your safety, this appliance is equipped with a polarized alternating current line plug having one blade wider than the other.
This plug will fit into the power outlet only one way. If you are unable to insert the plug fully into the outlet, try reversing the plug. If the plug still doesn't fit, contact your electrician to replace your outlet.
- Protect the power cord. Power supply cords should be routed so that they are unlikely to be walked on or pinched by items placed on or against them. Pay particular attention to cords at plugs, convenience receptacles, and the point where they exit from the unit.
- Do not overload the wall outlet or extension cords. Overloading can result in fire or electric shock.

14-5. Q & A

NO.	Type	Part	Situation	Solution method	Before consulting	cause	Management
1	DRUM WASHER (MODEL NAME : Q1*3*)	appearance part	Being opened & closed bad/Being attached & detached bad	AS recommended		In case of a cover not being opened or closed	- Door is not opened during washing. For models applied with the boiling or drying the door will not open until the interior temperature decreases to a certain safe level. In other cases you are recommended our engineer's inspection.
2	DRUM WASHER (MODEL NAME : Q1*3*)	appearance part	Label(sticker) being detached	consulting	...for the specification or label of product lead the customer to attach directly or send the engineer to do so. For other advertisement or PR label it may not be attached.		- Is it the label for advertisement? Is it the label for standards or attentions? -If it is for advertisement it does not matter for the function or the use even though it is not attached since it is not related to the function and use. -If it is for st
3	DRUM WASHER (MODEL NAME : Q1*3*)	appearance part	Accessories being not included	AS recommended	..Check whether the components are same as those in the manual. If not contact to SVC.		- Sir we really apologize to you for the inconvenience that we made from our product which was bought by you on the basis of your trust in us. We will try our best to clear your inconvenience (by mail).
4	DRUM WASHER (MODEL NAME : Q1*3*)	appearance part	Color coming off/rust	AS recommended		It may be occurred when the machine is installed in the humid place which causes the rust or discoloring.	- Being rust or being discolored during the use is normal and natural according to the times and its use.(except the case occurred at the initial purchase). The replacement of case will be charged and in order to prevent the corrosion change the location
5	DRUM WASHER (MODEL NAME : Q1*3*)	display part	Display part being not lit up/ not being cleared	AS recommended		It is a symptom occurred when it is installed in the humid place or the water is entered its inside.	- Dry the front operation part a little with the drier and you are recommended our engineer's inspection if it does not work even after doing so.
6	DRUM WASHER (MODEL NAME : Q1*3*)	display part	Character being broken on display	AS recommended			- In this case you are recommended our engineer's inspection.
7	DRUM WASHER (MODEL NAME : Q1*3*)	display part	Display not being cleared	AS recommended			- In this case you are recommended our engineer's inspection.
8	DRUM WASHER (MODEL NAME : Q1*3*)	display part	Display malfunction	AS recommended			- In this case you are recommended our engineer's inspection.
9	DRUM WASHER (MODEL NAME : Q1*3*)	door related	Door sensor not being detected	Others			- In this case you are recommended our engineer's inspection.
10	DRUM WASHER (MODEL NAME : Q1*3*)	a noise	A noise being occurred intermittently during washing	General consulting		Please check whether a washer is installed and used with removing the safety device positioned at its rear.	- You are recommended our engineer's inspection if the safety device is removed and there is no foreign material such a coin or pin inside.

11	DRUM WASHER (MODEL NAME : Q1*3*)	a noise	A noise being occurred intermittently during dehydrating	General consulting	..Make a comment for the customer to prepare the memorandum since he can not be famaliar with the contents comple tely.	Did you remove the washer safety device? It may be occurred when the laundry is leaned to one direction or the machine is not aligned horizontally or the foreign material is entered.	- Please check whether the machine-installed place is not leaned to one direction and then check whetehr there is no foreign material inside such as the coin or pin. If the noise occurs without any problem in the machine a check is requir
12	DRUM WASHER (MODEL NAME : Q1*3*)	a noise	A noise to touch other parts	General consulting	..Make a comment for the customer to prepare the memorandum since he can not be famaliar with the contents comple tely.	It may be occurred when the laundry is leaned to one direction or the machine is not aligned horizontally or the foreign material is entered.	- Check whether the machine-installed place is not leaned to one direction and then align it horizontally and then check whetehr there is no foreign material inside such as the coin or pin. If the noise occurs without any problem in the machine. Inspectio
13	DRUM WASHER (MODEL NAME : Q1*3*)	a noise	A noise of Motor	AS rere commened	Noise during water darainage -roaring sound		You are rerecommended our engineer's inspection because there may be a problem on the components.
14	DRUM WASHER (MODEL NAME : Q1*3*)	a noise	A noise being occurred during water supply	General consulting		The foreign material may be inserted inside the water supply hose or the pressure of water may be too high or too weak.	- In case that there is a noise during water supply open or close the tap little by little to adjust the water pressure to the proper level. If a noise occurs continuously disconnect the water supply hose connected to the machine and check whether there
15	DRUM WASHER (MODEL NAME : Q1*3*)	a noise	Water leakage being oc curred at water supply connection	General consulting		Lead to re assembe when water supply hose is departed.	Disconnect the water supply hose and reas-semble.
16	DRUM WASHER (MODEL NAME : Q1*3*)	water leakage related	Water being overflowed from detergent box(front loading wa shing machine)	General consulting		It may be used with so much de tergent or left alone for a long time without use.	- If the detergent input is impossible insert a proper amount of detergent inot the detergent box and if it is clogged take out the box forward and clean it.
17	DRUM WASHER (MODEL NAME : Q1*3*)	water leakage related	Water bein leaked to floor	General consulting		It is a symtom occurred when the hose of bot tom not outside is departed or torn off.	- Check the machine for the water drainage route under the machine. If the water drains through the other side not the drainage side check by the engineers.
18	DRUM WASHER (MODEL NAME : Q1*3*)	water leakage related	water being leaked at water supply connec tion part	General consulting		It may be occurred when it is pushed out due to the water pres sure or it has bad connection.	- Disconnect the coupler and reassemble it. It had better to assemble by yourself because the engineer's visit for service will be additionally charged in case of difficut installation by custo-mer. In case of the damage or missing of coupler you can buy i
19	DRUM WASHER (MODEL NAME : Q1*3*)	water leakage related	Water leakage being occurred during water supply	General consulting		The leakage during water supply can occur possibly due to the bad connection of tap and coupler and water supply hose.	- First re-assemble the coupler and then check by the engineer if it continues.

20	DRUM WASHER (MODEL NAME : Q1*3*)	water leakage related	Natural drain(continually)/water not filling tub	General consulting		It can be appeared at the drum washing machine of which the drain hose is located at the bottom.	- For the machine having the drain hose at the below of that raise the drain hose up and fix it to the fixer at 2/3 point of the machine. If the hose is used at the floor all water supplied will drain fully.
21	DRUM WASHER (MODEL NAME : Q1*3*)	smell/ smoke	Burning smell	General consulting		For the initial use of product It may appear during the operation with coupling each other but it carefully watched by the customers who are using more than for 3 years.	- Is that a newly bought one? - A smell is disappeared after 4~5 days passed in case of newly bought one but it depends upon the frequency of use. Be sure to use it without worry. If is not disappeared contact a engineer
22	DRUM WASHER (MODEL NAME : Q1*3*)	smell/ smoke	Burning/smoke	General consulting	Pull out the plug in case of smoke or fire.	It can be shown in case that the interior components of the products do not work normally.	- In this case you are recommended our engineer's inspection.
23	DRUM WASHER (MODEL NAME : Q1*3*)	power source related	Power not supplied	AS recommended		It can be shown in case that the power cord is not inserted or electricity is blacked out or the interior components of the products do not work properly.	- Take out the power cord and put it in again and check whether the power for the other products is on. If it is not even after that you are recommended our engineer's inspection.
24	DRUM WASHER (MODEL NAME : Q1*3*)	power source related	Current leakage breaker being dropped	General consulting		It may be occurred when the humidity is full inside the machine.	- In this case you are recommended our engineer's inspection.
25	DRUM WASHER (MODEL NAME : Q1*3*)	power source related	Automatic stop during operation	AS recommended		It may be occurred when there are too much laundry.	-Reduce the contents to be washed. If it continues you are recommended our engineer's inspection.
26	DRUM WASHER (MODEL NAME : Q1*3*)	power source related	Being power off frequently	AS recommended		It may be occurred in case of the bad contact of button.	- In this case you are recommended our engineer's inspection.
27	DRUM WASHER (MODEL NAME : Q1*3*)	operation related	Button being not operated	Consulting		It may be occurred when the accumulation of foreign material or moisture ingress into the button.	- In this case you are recommended our engineer's inspection.
28	DRUM WASHER (MODEL NAME : Q1*3*)	operation related	Being not rotating during washing	AS recommended		It may be occurred when the water supply not completed or the cover not closed completely or the accessories of products have a abnormality.	- First check whether the tap is open and the cover closed and then request an engineer's inspection.

29	DRUM WASHER (MODEL NAME : Q1*3*)	4E :front loading washing machine error	Water level sensor inferiority	AS rerecommended		This may be happened when there is any foreign material inside the water supply and drain valve or the interior components of the prodcuts do not operate normally. - Water level sensor or mother rotation.	- Disconnect the water supply hose and check whether there is a foreign material inserted in it. And then request an engineer's inspection.
30	DRUM WASHER (MODEL NAME : Q1*3*)	5E :front loading washing machine error	Water being not drained	AS rerecommended		It may be occurred when the drain hose is go over the threshold or water is not drained. It may eb occurred when the The filter of pump-drain moder is filled with dregs,	Check the installation of drain hose and then if there is no trouble request an engineer's inspection. Clean the filter of pump-drain motor. Guided by instruction-manual.
31	DRUM WASHER (MODEL NAME : Q1*3*)	OE :front loading washing machine error	3E OVER-FLOW	General consulting		It may be a case that the supply water level is not detected.	- After Draining the water power off and on and operate again. If it dose not work after so doing request an engineer's inspection.
32	DRUM WASHER (MODEL NAME : Q1*3*)	UE :front loading washing machine error	4E UNBALANCE ERR	General consulting		It may be happened when the floor of the installed palce is not flat or the clothes are entangled.	Level the machine or arrange the entangled clothes. If it does not worked even after so doing request an engineer's inspection.
33	DRUM WASHER (MODEL NAME : Q1*3*)	HE1 : front loading washing machine error	E5 WATER HEATER ERR	General consulting		It may happen when the boiling temperatuer rised rapidly. (It is also because too much detergent are used.)	Use the proper amount of detergent and power off the machine till the temperaure is cooled down. And if it does not work even after so doing request an engineer's inspection.
34	DRUM WASHER (MODEL NAME : Q1*3*)	HE : front loading washing machine error	E6 WATER HEATER ERR	AS rerecommended		It may appear when it dose not reach to the set temperature within a certain time.	- In this case you are recommended our engineer's inspection.
35	DRUM WASHER (MODEL NAME : Q1*3*)	1E :front loading washing machine error	E7 Water level sensor ERR	AS rerecommended		It may happen when there is a trouble in air hose or water level sensor.	- In this case you are recommended our engineer's inspection.
36	DRUM WASHER (MODEL NAME : Q1*3*)	cE : front loading washing machine error	E8 Abnormal water temperature ERR	AS rerecommended		Check whether the hose for hot and cold water is connected to the water supply hole.	- Check whether the cold water is supplied through the cold water supply hole and if it doesn't work after so doing request an engineer's inspection.
37	DRUM WASHER (MODEL NAME : Q1*3*)	8E : front loading washing machine error	E9 Water leakage ERR	AS rerecommended		Check whether there is foreign material inserted in the drain filter.	- In this case you are recommended our engineer's inspection.
38	DRUM WASHER (MODEL NAME : Q1*3*)	tE :front loading washing machine error	E9 Water leakage ERR	AS rerecommended		Check whether there is foreign material inserted in the drain filter.	- In this case you are recommended our engineer's inspection.

39	DRUM WASHER (MODEL NAME : Q1*3*)	11E : front loading washing machine error	E9 Water leakage ERR	AS rerecommended		Check whether there is foreign material inserted in the drain filter.	- In this case you are recommended our engineer's inspection.
40	DRUM WASHER (MODEL NAME : Q1*3*)	door : front loading washing machine error	Ed:Door being not opened	AS rerecommended		It may appear when the the door is opened a certain minutes after the completion of washing or the electricity is interrupted in running. Check of Bad contact of 1st door opening sensor---- *check of the bending of 2nd door switch*Do not open the door	-There is a cover detachable at the front bottom. Pull out the cover to find the handle to open at the right side. Pull out the handle to open the door.
41	DRUM WASHER (MODEL NAME : Q1*3*)	front loading washing machine error	E6:Overheating error	AS rerecommended		It may appear when the temperature rises rapidly.	- In this case you are recommended our engineer's inspection.
42	DRUM WASHER (MODEL NAME : Q1*3*)	water supply related	Cold water being not supplied	General consulting			- Check first whether the water supply is cut and also check whether the foreign material is inserted. If the foreign material is inserted turn the connection hose of machine to the left to disconnect and to find the strainer to trap the foreign material.
43	DRUM WASHER (MODEL NAME : Q1*3*)	water supply related	Water being supplied little	General consulting		It may appear when the tap is not opened properly or there is a foreign material inside.	- Is it checked whether the tap is fully open or there is a foreign material inserted? - First check whether the tap is fully open. And there is no fault turn the hose of the machine to the left to take out strainer in the hole of water entrance. Clean i
44	DRUM WASHER (MODEL NAME : Q1*3*)	water supply related	Detergent being remained	General consulting		It may appear when the long-term used detergent is not well soluted or when the water temperature is low during winter.	- Solve the detergent with the hot water and put it inot the washing box. If it is not solved even with the normal detergent request an engineer's inspection.
45	DRUM WASHER (MODEL NAME : Q1*3*)	water supply related	Water being stopped during the coming in	General consulting		It may appear when the water is cut or the water supply hole is clogged.	- Is it checked whether the water is cut or there is a foreign material inserted in the water supply hole? -First check whether the water is cut and if there is a blackout push the power button on. Otherwise turn the machine hose to the left to take out t
46	DRUM WASHER (MODEL NAME : Q1*3*)	water supply related	Clothes being damaged	General consulting			- In this case you are recommended our engineer's inspection.
47	DRUM WASHER (MODEL NAME : Q1*3*)	water supply related	One direction rotation				- In this case you are recommended our engineer's inspection.
48	DRUM WASHER (MODEL NAME : Q1*3*)	water supply related	Rotation being not worked after it sounds with buzz				- In this case you are recommended our engineer's inspection.
49	DRUM WASHER (MODEL NAME : Q1*3*)	water supply related	Water being not supplied in winter			It may appear when the tap and the water supply hose are frozen if it is used at the veranda in the winter.	- Make the water supply hole warm and defreeze it with wet towel.

50	DRUM WASHER (MODEL NAME : Q1*3*)	rinsing related	Rinse being not put in tub	General consulting		It may appear when the rinse agent remains to clog .	-Did the rinse agent drain immediately or part to put the rinse is clogged after putting the rinse agent? - The rinse agent does not drain only when putting it up to the reamer shaped cap which is in the box of rinse agent. If clogged take out the cap and
51	DRUM WASHER (MODEL NAME : Q1*3*)	rinsing related	Bubble being remained	General consulting		It may appear when there is too much or too little laundry.	- If there is too much laundry or vinyl clothes the detergent is not solved. Reduce the laundry or take out the vinyl clothes separately.
52	DRUM WASHER (MODEL NAME : Q1*3*)	water drain related	Water being not drained	General consulting			- In this case you are recommended our engineer's inspection.
53	DRUM WASHER (MODEL NAME : Q1*3*)	dehydrating related	Dehydrating time being increased again	General consulting	.Make a comment for the customer to prepare the memorandum since he can not be familiar with the contents completely.	The vibration and noise occur when the horizon is broken or the laundry are leaned to one direction. So It may appear when the safety device is operating to prevent it.	- If there is too little laundry less than 1KG or the clothes in the washing tub are severely entangled it appears.
54	DRUM WASHER (MODEL NAME : Q1*3*)	dehydrating related	Washer being worked for four hours without stopping	Specific consulting		If the washing machine consumes hours more than necessary check whether the water supply is too small. And note that the boiling and the drying course takes much time.	- Check whether the water supply time is too much delayed due to the low pressure of water or boiling or drying is selected. In other cases request an engineer's inspection.
55	DRUM WASHER (MODEL NAME : Q1*3*)	dehydrating related	Not dehydrating with the motor being purring after water is drained	General consulting		The power cord for motor may be cut or the gear shaft hardened.	- In this case you are recommended our engineer's inspection.
56	DRUM WASHER (MODEL NAME : Q1*3*)	dehydrating related	Being stopped with thuds during dehydration	AS rerecommended	.Make a comment for the customer to prepare the memorandum since he can not be familiar with the contents completely.	It may appear when the horizon is broken or there are too much clothes to wash.	- check the level of a washing machine.
57	DRUM WASHER (MODEL NAME : Q1*3*)	dehydrating related	Not being squeezed well	General consulting		It may appear when there are clothes like vinyl.	-Check whether the vinyl clothes are attached on to the washing tub so as to prevent the immediate the outgoing of the moisture to the outside. Otherwise request an engineer's inspection.
58	DRUM WASHER (MODEL NAME : Q1*3*)	dehydrating related	Water being in at purchasing	AS rerecommended			- There may be remaining water since the products is delivered through the final products test. It is normal and you can use it without fear.
59	DRUM WASHER (MODEL NAME : Q1*3*)	dehydrating related	Dehydration being not worked at all	General consulting		It may appear when the interior components do not work properly.	- In this case you are recommended our engineer's inspection.
60	DRUM WASHER (MODEL NAME : Q1*3*)	others	Action for water being freeze in winter	AS rerecommended		It may appear when the machine is used at the outside or the veranda.	- pour the warm water on to the tap to take out the water supply hose and put the hose in to the water of approximately 50 degree. And then pour the water in to the washing box to check whether the drain is well done.
61	DRUM WASHER (MODEL NAME : Q1*3*)	others	being clogged/foreign materials	General consulting	...the drainage hose clogged or foreign material inside		- After loosening the water supply hose and check the inlet of water supply whether there is foreign material inserted such a soil dust.

62	DRUM WASHER (MODEL NAME : Q1*3*)	installation / connection	Consulting for installation of front loading washing machine	General consulting			- The drum washing machine is leveled after removing the safety device at the rear of drum. And for a removing the safety device refer to accessories and user's manual.
63	DRUM WASHER (MODEL NAME : Q1*3*)	installation / connection	Level check	Specific consulting			- Level it by use of a leveller(with a coin weight) at the front.
64	DRUM WASHER (MODEL NAME : Q1*3*)	installation / connection	Removal/house moving reinstallation	Specific consulting			-It is possible to remove and install in the house but when moving to the other house and installing it assemble the safety device at the back while moving and remove it after moving. If the drum is shaken during the moving it causes a serious damage.
65	DRUM WASHER (MODEL NAME : Q1*3*)	washing related	Slow speed of washing rotation	General consulting		It may appear when there is too much laundry.	- Check whether the laundry is input over the proper amount. Otherwise request an engineer's inspection.
66	DRUM WASHER (MODEL NAME : Q1*3*)	washing related	Clothes being damaged	General consulting		Check whether there is foreign material inside (coin nail and other sharp material) and so it may appear due to the zipper or button of jeans.	- Check whether there is foreign material in the washing tub. In case of dehydrating the weak material clothes it shall be inserted in the net during dehydrating. Any other cleaning agent (decoloration agent) shall not be used except the detergent and rins

Memo

Notes:

***Be Aware, Be Alert
Always work safely.
On the Job, On the Road, In the Home
Every Time, All the Time***



Free Manuals Download Website

<http://myh66.com>

<http://usermanuals.us>

<http://www.somanuals.com>

<http://www.4manuals.cc>

<http://www.manual-lib.com>

<http://www.404manual.com>

<http://www.luxmanual.com>

<http://aubethermostatmanual.com>

Golf course search by state

<http://golfingnear.com>

Email search by domain

<http://emailbydomain.com>

Auto manuals search

<http://auto.somanuals.com>

TV manuals search

<http://tv.somanuals.com>