



# CLOTHES DRYER

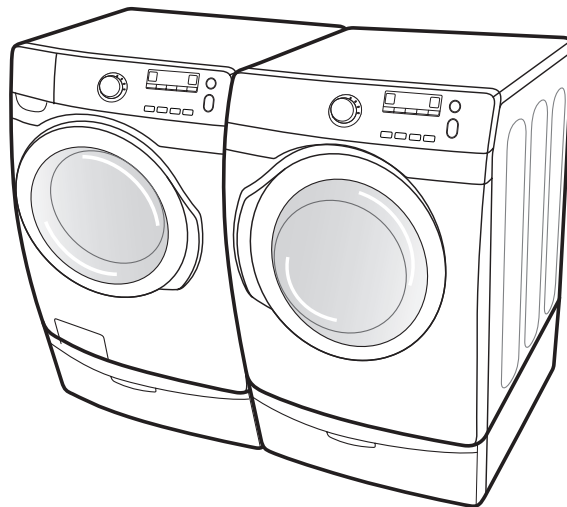
## Technical Information

**IMPORTANT SAFETY NOTICE – “For Technicians only”** This service data sheet is intended for use by persons having electrical, electronic, and mechanical experience and knowledge at a level generally considered acceptable in the appliance repair trade. Any attempt to repair a major appliance may result in personal injury and property damage. The manufacturer or seller cannot be responsible, nor assume any liability for injury or damage of any kind arising from the use of this data sheet.

- Due to possibility of personal injury or property damage, always contact an authorized technician for servicing or repair of this unit.
- Refer to Service Manual (DV405, DV398, DV395, DV393, DV231, DV365) for detailed installation, operating, testing, troubleshooting, and disassembly instructions.

 <b>CAUTION</b>
All safety information must be followed as provided in Service Manual of DV405, DV398, DV395, DV393, DV231, DV365.

 <b>WARNING</b>
To avoid risk of electrical shock, personal injury or death; disconnect power to dryer before servicing, unless testing requires power.



Code No. : DC68-02365H-03\_EN

# ALIGNMENT AND ADJUSTMENTS

## **WARNING**

To avoid risk of electrical shock, personal injury or death; disconnect power to dryer before servicing, unless testing requires power.

## ERROR ITEMS AND DIAGNOSTIC CODES

An occurrence of an Error will make a sound of error melody for 5sec and continuously show one of the Error Displays from the following errors.

Error Display	Trigger	Action Taken
<b>tE</b>	The Termistor resistance is very low or high.	Check for: - Clogged lint screen. - Restricted vent system. - Check Thermistor resistance.
<b>HE</b>	Invalid heating Temp in running the dryer	Check for: - Restricted vent system. - Check Thermistor resistance.
<b>dE</b>	Running the dryer with door open	Check for: - Close the door, and run the dryer. - Loose or open wire terminals in Door Sense circuit.
<b>dF</b>	Invalid door state for more than 256 milliseconds	Check for: - Loose or open wire terminals in Door Sense circuit.
<b>bE2</b>	Invalid state of key circuit short for 30 secs	Check for: - Display PCB key circuit short or not.
<b>FE</b>	Invalid power source Frequency	Check for: - Not using regular power source frequency - Invalid power frequency sense circuit
<b>2E</b>	Electronic Control Problem (Over Voltage Error)	Check for: - Check PCB and Wire harness. - Check Power supply.
<b>AE</b>	Electronic Control Problem (Communication Error)	Check for: - Check PCB and Wire harness. - Replace PCB.
<b>Et</b>	Invalid state of Eeprom communication	Check for : - PCB with Eeprom circuit.

# ALIGNMENT AND ADJUSTMENTS

## WARNING

To avoid risk of electrical shock, personal injury or death; disconnect power to dryer before servicing, unless testing requires power.

## TEST MODE

### Service Mode (DV405, DV398, DV395, DV393 only)

#### How to enter:

- To enter Service Mode , press Mixed Load Bell + Temp. Keys 3 seconds in normal mode until it sends out a beeping sound.
- If pressing Mixed Load Bell + Temp. Keys in Service mode , it will return Normal mode.
- Even though entering Service mode, the operating cycle will not be influenced.

### DR Ready Modem Wire Test(DV431AS\* only)

#### How to enter:

- After entering Service Mode, press the Wrinkle Prevent button to start the Wire Test.
- During the test, “----” is displayed.
- If the test result is normal after the test, “SG” is displayed.
- If a problem occurs, the “AE3” error code is displayed.

## Touch Sensor Data Display Mode

### Definition of Touch Sensor Data Display Mode:

- This mode is default mode of entering service mode.

#### How to enter:

- With Power On pressing Mixed Load Bell +Temp(DV405, DV398, DV395, DV393) or Wrinkle Prevent + Temp(DV231, DV365) for 3 seconds.
- This action will put the dryer into sensor bar touch data mode
- Dryer will display Sensor Bar data.

## Cycle Count Mode

### Definition of Cycle Count Mode:

- This mode is to bring up the total number of cycles that User have carried out.

#### How to enter:

- Press the Mixed Load Bell(DV405, DV398, DV395, DV393) orTime(DV231,DV365) key in Service Mode.

## Software Revision Mode

### Definition of Software Revision Mode:

- It is to retrieve its software version

#### How to enter:

At Service Mode, press Temp until it sends out a beeping sound

ex) In case of “U1 05”, U1 means major version “U1”, 05 means minor version “05”.

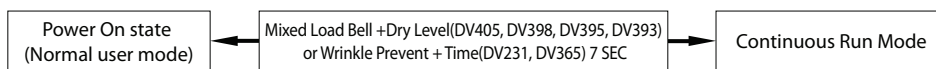
- If press Temp key In Software Version Mode, it will return Service Mode.

# ALIGNMENT AND ADJUSTMENTS

## WARNING

To avoid risk of electrical shock, personal injury or death; disconnect power to dryer before servicing, unless testing requires power.

## Continuous Run Mode



### How to enter:

- Press Mixed Load Bell + Dry Level(DV405, DV398, DV395, DV393) or Wrinkle Prevent + Time(DV231, DV365) for 7 sec during Power On State (normal user mode).
- Once in Continuous Run Mode, display "cc" for 1 sec and finished cycle count for 1 sec and the remaining time for 1 sec in turns.
- The previous cycle will restart during Continuous Run Mode until the mode is deactivated.
- During Continuous Run Mode, press Mixed Load Bell + Dry Level(DV405, DV398, DV395, DV393) or Wrinkle Prevent + Time(DV231, DV365) for 7 seconds to go back to normal user mode.

## Data Display Mode (DV405, DV398, DV395, DV393 only)

### How to Enter:

- With Power On, press AdjustUp Key + AdjustDown Key for 7 seconds until it sends out a beeping sound .
- If not pressed any keys for 5 minutes, it will be set back from Data Display Mode
- If pressing AdjustUp Key in this mode, Display Mode will be increased.
- If pressing AdjustDown Key in this mode, Display Mode will be decreased.

### Definition of Data Display Mode:

- Display Mode 1 : Air Temperature data
- Display Mode 2 : Average Touch Sensor data for 1 minute
- Display Mode 3 : Average Temperature data for 1 minute
- Display Mode 4 : Vent sensor temperature data (\*DV398 Only)

# ALIGNMENT AND ADJUSTMENTS

## WARNING

To avoid risk of electrical shock, personal injury or death; disconnect power to dryer before servicing, unless testing requires power.

## TROUBLE DIAGNOSIS

- As the micom dry machine is configured of the complicate structure, there might be the service call.

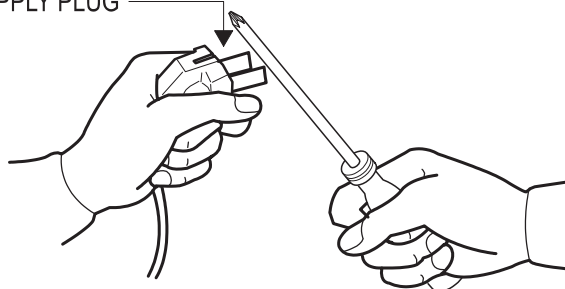
Below information is prepared for exact trouble diagnosis and suitable repair guide.

## Caution for the Repair and Replacement

Please follow below instruction for the trouble diagnosis and parts replacement.

- 1) As some electronic components are damaged by the charged static electricity from the resin part of dryer or the human body, prepare the human body earth or remove the potential difference of the human body and dryer by contacting the power supply plug when the work contacting to PCB is executed.

POWER SUPPLY PLUG



- 2) As the P.C.B assembly is designed for no trouble, do not replace the P.C.B assembly by the wrong diagnosis and follow the procedure of the trouble diagnosis when the micom is not operated normally.

# TROUBLE SHOOTING

## WARNING

To avoid risk of electrical shock, personal injury or death; disconnect power to dryer before servicing, unless testing requires power.

No	Problem	What To Do
1	<b>Will Not Start or Run</b>	<ul style="list-style-type: none"> <li>All wires are hooked up to their corresponding terminals.</li> <li>Dryer is plugged in.</li> <li>Blown fuse or circuit breaker.</li> <li>Door switch functional...door closed. Check for error code 3 (See Table for codedefinition).</li> <li>Start/Pause rotary selector dial functional.</li> <li>Control Board operational.</li> <li>Belt off or broken and Belt Cut-off Switch operates.</li> <li>Drive motor functional.</li> <li>Check motor winding resistance: 2.88ohms between pin #3 and 4, 3.5ohms between pin #4 and 5.</li> </ul>
2	<b>Motor runs/ tumbler will not turn</b>	<ul style="list-style-type: none"> <li>Belt off or broken/damaged.</li> <li>Idler tension spring too weak or stretched.</li> <li>Idler pulley jammed or stuck.</li> </ul>
3	<b>Runs a few minutes and then stops</b>	<ul style="list-style-type: none"> <li>Lint buildup around drive motor.</li> <li>Low voltage present.</li> <li>Blower impeller blocked in blower housing.</li> <li>Drive motor - start switch contacts stuck closed.</li> </ul>
4	<b>Blows fuses or trips circuit breaker</b>	<ul style="list-style-type: none"> <li>- Is the belt connected well?</li> <li>- Is the winding of the motor continuous? (Rotor winding, stator winding, generator)</li> <li>- Is the motor protector normal?</li> <li>• If above points are not found, the PCB assembly is out of order. Replace it.</li> </ul>
5	<b>Blows fuses or trips circuit breaker (Gas Model)</b>	<ul style="list-style-type: none"> <li>• During ignition the dryer will draw X amps. With the burner ON, the dryer will draw X amps. If the dryer is drawing amperages above this, then the house wiring, fuse box or circuit breaker is suspected to be at fault.</li> <li>• Igniter harness loose and shorted to base.</li> <li>• Incorrect wiring or wire shorted to ground.</li> <li>• Drive motor winding shorting to ground.</li> </ul>
6	<b>Will not heat (motor runs)</b>	<p>Open heating element.</p> <ul style="list-style-type: none"> <li>• Hi-Limit trips easily or is open.</li> <li>• Regulating thermostat trips easily or is open.</li> <li>• Membrane switch open.</li> <li>• Check Thermistor.</li> </ul>
7	<b>Will Not Dry Gas Model Poor Gas Ignition</b>	<p>When the dryer is operated on a heat setting, the igniter should be energized and burner shall fire within 45 seconds at 120 VAC. The failure of a component in this system will usually be indicated by one of three symptoms:</p>

# TROUBLE SHOOTING

## WARNING

To avoid risk of electrical shock, personal injury or death; disconnect power to dryer before servicing, unless testing requires power.

No	Problem	What To Do
8	<b>The igniter does not glow</b>	<p>If the igniter does not heat up, remove power and using an ohmmeter, check the following:</p> <ul style="list-style-type: none"> <li>• Open flame sensor</li> <li>• Open igniter</li> <li>• Shorted booster coil</li> <li>• Open wiring</li> <li>• Bad motor switch ( Neutral supply)</li> <li>• No power from control ( L1 supply)</li> </ul>
9	<b>Igniter glows - No gas ignition</b>	<p>If the igniter heats up but the main burner flame is not ignited, remove power and using an ohmmeter, check the following:</p> <ul style="list-style-type: none"> <li>• Open secondary coil</li> <li>• Open holding coil</li> <li>• Open wire harness</li> <li>• Stuck flame sensor (Stuck closed)</li> </ul>
10	<b>The gas is ignited but the flame goes out</b>	<p>If a normal ignition takes place and after a short while the flame goes out, check for the following:</p> <ul style="list-style-type: none"> <li>• Radiant sensor contacts opening prematurely.</li> <li>• Weak gas valve coil may open when stressed by higher Temps.</li> <li>• Weak Hi-Limit</li> <li>• Poor venting</li> <li>• Bad drum seals</li> </ul>
11	<b>Improper drying clothes wrinkled Rough texture long dry time</b>	<ul style="list-style-type: none"> <li>• Lint filter is not clean.</li> <li>• Restriction in exhaust.</li> <li>• Outside exhaust hood damper door stuck closed.</li> <li>• Exhaust too long, too many elbows, flex ductwork installed.</li> <li>• Poor intake air available for the dryer.</li> <li>• Incorrect tumbler speed. Tumbler belt slipping.</li> <li>• Blower impeller bound; check for foreign material in blower area.</li> <li>• Customer overloading dryer.</li> <li>• Check clothing labels for fabric content and cycle selected.</li> <li>• Clothes too wet due to insufficient spin out by washer.</li> </ul>
12	<b>Noisy and/OR Vibration</b>	<ul style="list-style-type: none"> <li>• Thumping Check for loose tumbler baffle, rear tumbler roller(s) worn or misaligned, out-of-round tumbler or high weld seam on tumbler.</li> <li>• Ticking Check for loose wire harness or object caught in blower wheel area.</li> <li>• Scraping Check for front or rear bulkhead felt seal out of position or worn tumbler front bearings.</li> <li>• Roaring Check for blower wheel rubbing on blower housing or bad motor bearings.</li> <li>• Popping or squealing sound. Check for a sticky or frayed belt.</li> </ul>

# TROUBLE SHOOTING

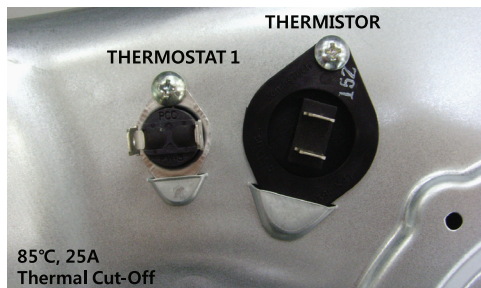
## ⚠ WARNING

To avoid risk of electrical shock, personal injury or death; disconnect power to dryer before servicing, unless testing requires power.

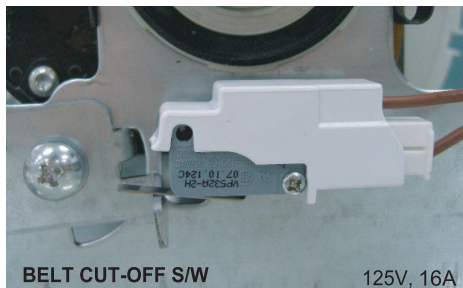
## COMPONENT TESTING PROCEDURES

### Component Electrical Testing (with ohmmeter)

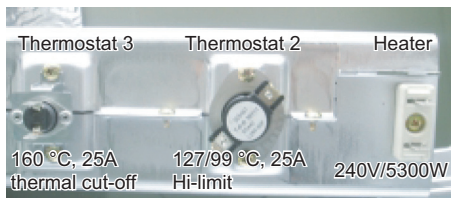
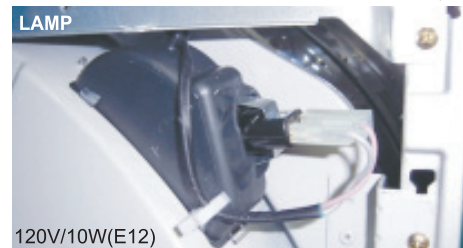
- Thermistor resistance 10K  $\Omega$  @ 25°C 77°F
- Thermostat 1 resistance < 1 $\Omega$
- Belt Cut-off S/W
  - Lever open: Resistance value < 1 $\Omega$
  - Lever push: Resistance value :  $\infty$   $\Omega$



- Thermostat 3 resistance < 1 $\Omega$ 
  - If resistance is infinity, replace thermostat 3.
- Thermostat 2 resistance < 1 $\Omega$ 
  - If resistance is infinity, replace thermostat 2.
- Heater resistance 10  $\Omega$ 
  - If resistance is infinity, replace Heater.



- Lamp resistance 80~100  $\Omega$  (Violet & gray)



- Measure resistance of the following terminal

1) Door switch : off

**Terminal : "COM" - "NC" (1-3) < 1 $\Omega$**

**Terminal : "COM" - "NO" (1-2) :  $\infty$   $\Omega$**

2) Door switch : On

**Terminal : "COM" - "NC" (1-3) :  $\infty$   $\Omega$**

**Terminal : "COM" - "NO" (1-2) < 1 $\Omega$**



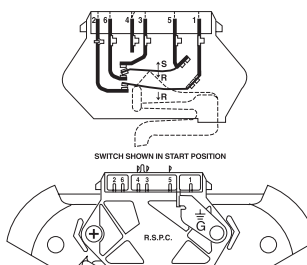
- Motor (Electronic & GAS)

### Contacts

Function	1M	2M	3M	5M	6M
Start			●—●	●—●	
Run	●—●			●—●	●—●

- = Contact closed

### Centrifugal Switch (Motor)



2.88 $\Omega$  between  
Pin# 3 and 4

3.5 $\Omega$  between  
Pin# 4 and 5

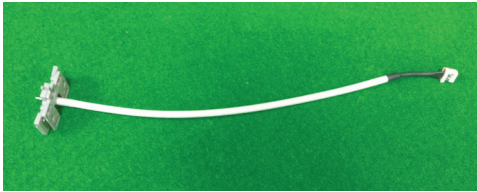


# TROUBLE SHOOTING

## WARNING

To avoid risk of electrical shock, personal injury or death; disconnect power to dryer before servicing, unless testing requires power.

## THERMISTOR



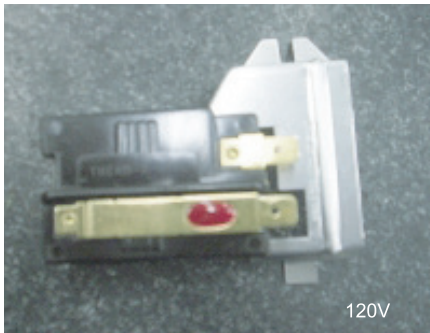
238.23Ω @ 25 °C 77

## GAS MODEL

### Radiant Sensor(10RS)

Resistance value < 1 Ω

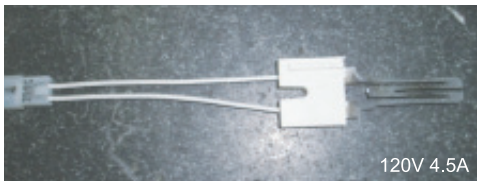
If resistance is infinite, replace Radiant sensor



### Igniter(101D)

Resistance value 40~400 Ω

If resistance is infinite, replace Igniter



### Gas Valve(25M01A)

Valve 1-2 : Resistance value 1.2K Ω

Valve 1-3 : Resistance value 0.5K Ω

Valve 4-5 : Resistance value 1.2K Ω

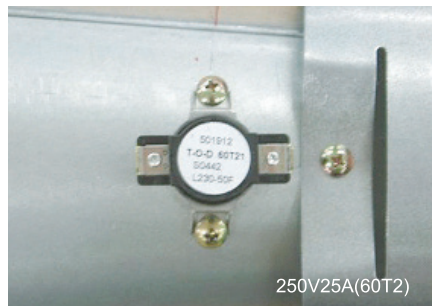
If resistance is infinity, replace Valve



### Thermostat (60T21 Hi-Limit)230F-50F

Resistance value < 1 Ω

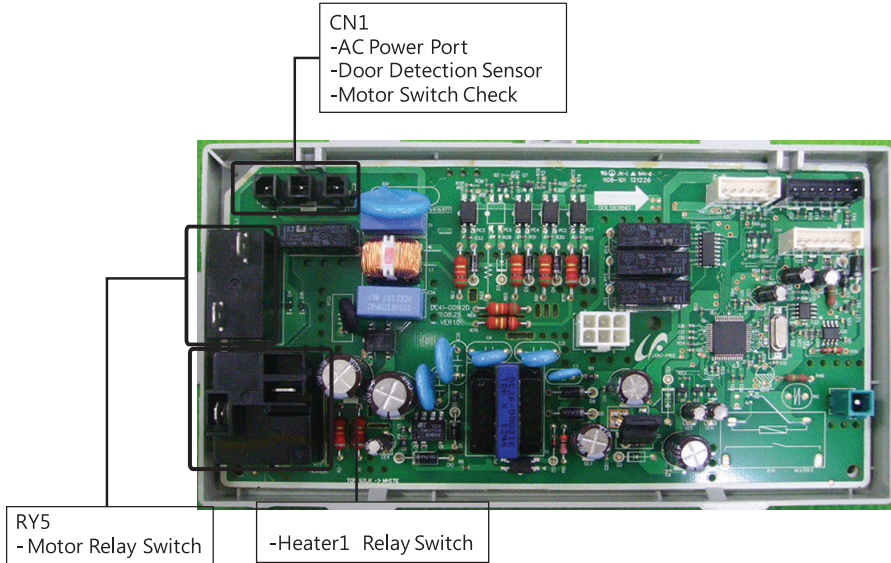
If resistance is infinity, replace Thermostat



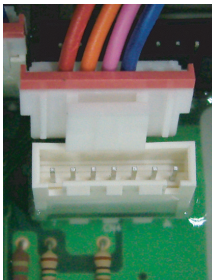
# TROUBLE SHOOTING

## WARNING

To avoid risk of electrical shock, personal injury or death; disconnect power to dryer before servicing, unless testing requires power.



## Sensor Bars & temperature sensor check



**Sensor Bars** - Disconnect harness and test Pink wire Pin 4 to Orange wire Pin 5.

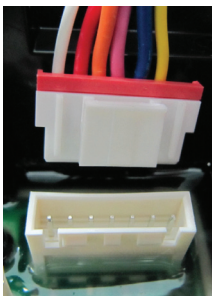
Approx  $\infty \Omega$  without laundry

Approx  $190\Omega \pm 10\%$  with wet clothes

**Cycling Thermistor** - Disconnect harness and test Blue wire Pin 3 to Red wire Pin 6.

Approx  $10\text{ K}\Omega$  at  $25^\circ\text{C}/77^\circ\text{F}$

## Sensor Bars & temperature sensor check (DV398 only)



**Sensor Bars** - Disconnect harness and test Pink wire Pin 4 to Orange wire Pin 5.

Approx  $\infty \Omega$  without laundry

Approx  $190\Omega \pm 10\%$  with wet clothes

**Cycling Thermistor1** - Disconnect harness and test Blue wire Pin 3 to Red wire Pin 6.

Approx  $10\text{ K}\Omega$  at  $25^\circ\text{C} / 77^\circ\text{F}$

**Cycling Thermistor2** - Disconnect harness and test Yellow wire Pin 2 to White wire Pin 7.

Approx  $238.231\text{ K}\Omega$  at  $25^\circ\text{C} / 77^\circ\text{F}$

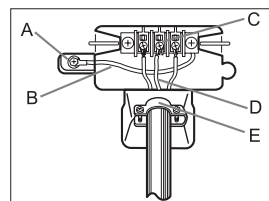
# TROUBLE SHOOTING

## WARNING

To avoid risk of electrical shock, personal injury or death; disconnect power to dryer before servicing, unless testing requires power.

### 3-WIRE system connections

- A. External ground connector
- B. Neutral grounding wire (green/yellow)
- C. Center silver-colored terminal block screw
- D. Neutral wire (white or center wire)
- E.  $\frac{3}{4}$ " (1.9 cm) UL-listed strain relief

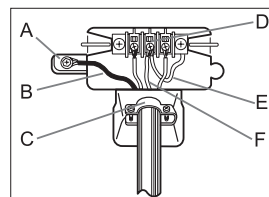


1. Loosen or remove the center terminal block screw.
2. Connect the neutral wire (white or center wire) of the power cord to the center, silver-colored terminal screw of the terminal block. Tighten screw.
3. Connect the other wires to outer terminal block screws. Tighten screws.
4. Tighten the strain relief screws.
5. Insert the tab of the terminal block cover into your Dryer's rear panel slot. Secure the cover with a hold-down screw.

If converting from a 4-wire electrical system to a 3-wire, the ground strap must be reconnected to the terminal block support to ground the Dryer frame to the neutral conductor.

### 4-WIRE system connections

- A. External ground connector
- B. Green or bare copper wire of power cord
- C.  $\frac{3}{4}$ " (1.9 cm) UL-listed strain relief
- D. Center silver-colored terminal block screw
- E. Neutral Grounding wire (green/yellow)
- F. Neutral wire (white or center wire)



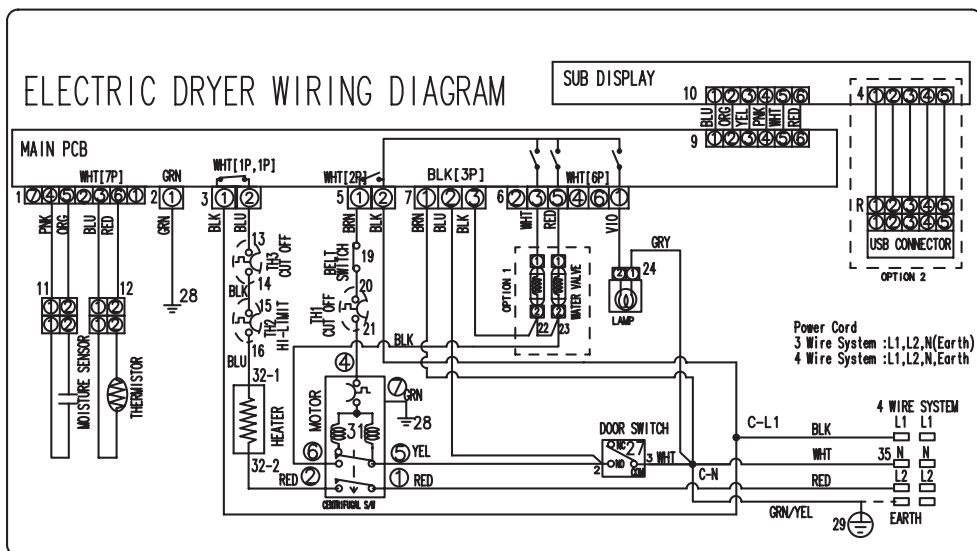
1. Remove the External ground connector screw.
2. Connect the ground wire (green or unwrapped) of the power cord to the external ground connector screw. If you want to connect B(Green or bare copper wire of power cord) to the Neutral Post without assembling with A(cabinet ground), call the service technician.
3. Loosen or remove the center terminal block screw.
4. Connect the neutral wire (white or center wire) of the power cord and the appliance ground wire (green with yellow stripes) under the central screw of the terminal block.
5. Connect the other wires to the outer terminal block screws. Tighten screws.
6. Tighten the strain relief screws.
7. Insert the tab of the terminal block cover into your Dryer's rear panel slot. Secure the cover with a hold-down screw.

# WIRING DIAGRAM

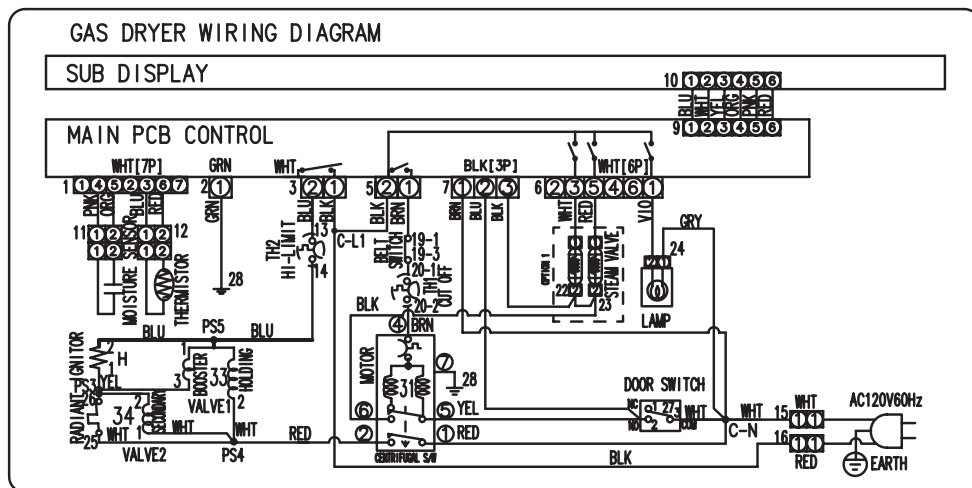
## ⚠ WARNING

To avoid risk of electrical shock, personal injury or death; disconnect power to dryer before servicing, unless testing requires power.

## WIRING DIAGRAM



OPTION 1 : Steam Models Only, OPTION 3 : DR READY Models Only

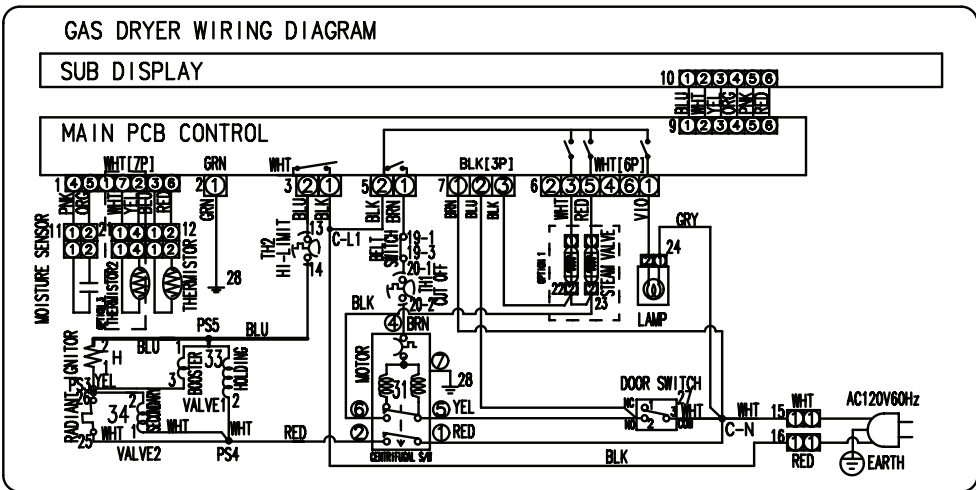
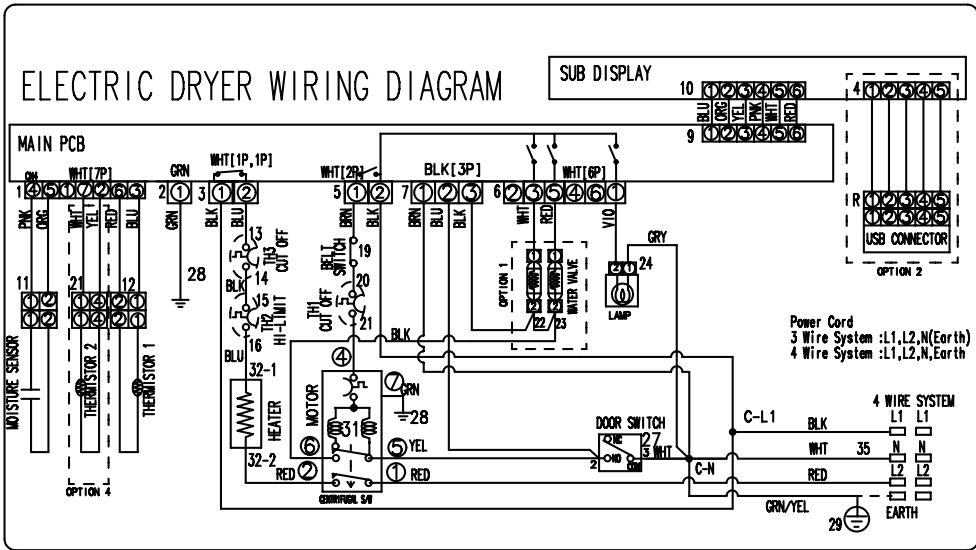


# WIRING DIAGRAM

## ⚠ WARNING

To avoid risk of electrical shock, personal injury or death; disconnect power to dryer before servicing, unless testing requires power.

## WIRING DIAGRAM (DV398 ONLY)



# MEMO



**SAMSUNG**

# SECADORA

## Información técnica

**AVISO DE SEGURIDAD IMPORTANTE – “Sólo para técnicos”** Esta hoja de datos de servicio está destinada a personas que tengan experiencia eléctrica, electrónica y mecánica, así como conocimientos generales considerados aceptables en el servicio de reparación de aparatos. Cualquier intento de hacer reparaciones importantes podría causar lesiones físicas o daños materiales. Ni el fabricante ni el vendedor se hacen responsables, ni asumen ninguna obligación legal por lesiones o daños de cualquier tipo derivados del uso de esta hoja de datos.

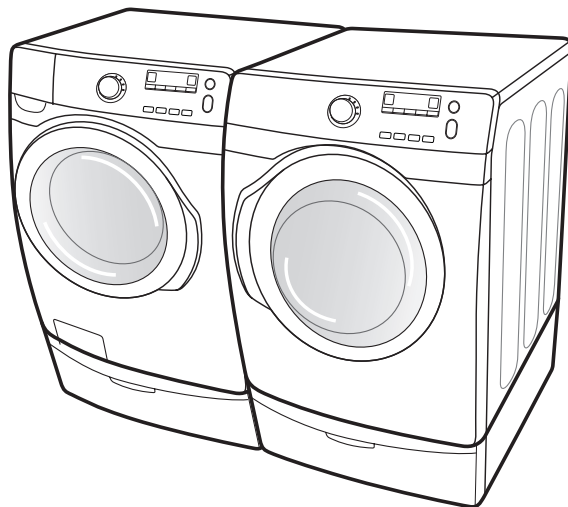
- Dada la posibilidad de sufrir lesiones físicas o daños materiales, comuníquese siempre con un técnico autorizado para realizar el mantenimiento de esta unidad o repararla.
- Consulte el Manual de servicio (DV405, DV398, DV395, DV393, DV231, DV365) para obtener instrucciones detalladas de instalación, funcionamiento, prueba, solución de problemas y desarmado de la unidad.

### PRECAUCIÓN

Toda la información de seguridad debe seguirse conforme al Manual de servicio de DV405, DV398, DV395, DV393, DV231, DV365.

### ADVERTENCIA

Para evitar riesgos de descarga eléctrica, lesiones o la muerte, desconecte el cable de alimentación de la secadora a menos que la prueba del electrodoméstico requiera que este esté enchufado.



Nro. de código: DC68-02365H-03\_MES

# ALINEACIÓN Y AJUSTES

## ADVERTENCIA

Para evitar riesgos de descarga eléctrica, lesiones o la muerte, desconecte el cable de alimentación de la secadora a menos que la prueba del electrodoméstico requiera que este esté enchufado.

## CÓDIGOS DE ERROR Y DE DIAGNÓSTICO

Cuando ocurre un error suena una melodía durante 5 segundos y en la pantalla se muestra uno de los errores siguientes.

Error mostrado	Descripción	Acción correctiva
tE	La resistencia del termistor es muy baja o muy alta.	Verifique: - Filtro para pelusas obstruido. - Sistema de ventilación restringido. - Resistencia del termistor.
HE	Temperatura de calentamiento no válida al poner en funcionamiento la secadora	Verifique: - Sistema de ventilación restringido. - Resistencia del termistor.
dE	La secadora funciona con la puerta abierta	Verifique: - Cierre la puerta y haga funcionar la secadora. - Afloje o abra los terminales de los cables del circuito del sensor de la puerta.
dF	Estado de la puerta no válido durante más de 256 milisegundos	Verifique: - Afloje o abra los terminales de los cables del circuito del sensor de la puerta.
bE2	Estado no válido de un circuito corto clave durante 30 segundos	Verifique: - Circuito clave corto, o no, de la PCB de la pantalla.
FE	Frecuencia de fuente de alimentación no válida	Verifique: - No se utiliza frecuencia de fuente de alimentación regular. - Circuito del sensor de frecuencia de alimentación no válido.
2E	Problema con el control electrónico (Falla de sobrevoltaje)	Verifique: - PCB y arnés de cables. - La alimentación eléctrica.
AE	Problema con el control electrónico (Falla de comunicación)	Verifique: - PCB y arnés de cables. - Reemplace la PCB.
Et	Estado no válido de la comunicación Eeprom	Verifique: - PCB con circuito Eeprom.



# ALINEACIÓN Y AJUSTES

## ADVERTENCIA

Para evitar riesgos de descarga eléctrica, lesiones o la muerte, desconecte el cable de alimentación de la secadora a menos que la prueba del electrodoméstico requiera que este esté enchufado.

## MODO DE PRUEBA

### Modo de servicio (DV405, DV398, DV395, DV393 solamente)

#### Cómo ingresar:

- Para ingresar al Modo de servicio, presione las teclas Mixed Load Bell (Timbre de carga mixta) + Temp (Temperatura) durante 3 segundos en el modo normal hasta que oiga un pitido.
- Si presiona las teclas Mixed Load Bell (Timbre de carga mixta) + Temp (Temperatura) en el Modo de servicio, la máquina volverá al Modo normal.
- Aunque ingrese al Modo de servicio, esto no influirá en el ciclo de funcionamiento.

### Prueba del cable del módem preparado para DR (DV431AS\* solamente)

#### Cómo ingresar:

- Tras ingresar al Modo de servicio, presione el botón Wrinkle Prevent (Prevención de arrugas) para iniciar la prueba del cable.
- Durante la prueba, se muestra "----".
- Si el resultado de la prueba es normal, se muestra "SG".
- Si ocurre algún problema, se muestra el código de error "AE3".

### Modo de visualización de datos del sensor táctil

#### Explicación del Modo de visualización de datos del sensor táctil:

- Es el modo predeterminado de ingreso al modo de servicio.

#### Cómo ingresar:

- Con la alimentación encendida presione Mixed Load Bell (Timbre de carga mixta) +Temp (Temperatura) (DV405, DV398, DV395, DV393) o Wrinkle Prevent (Prevención de arrugas) + Temp (Temperatura) (DV231, DV365) durante 3 segundos.
- Esta acción pone la secadora en el modo de datos táctiles de la barra del sensor
- La secadora mostrará los datos de la barra del sensor.

### Modo de conteo de ciclos

#### Explicación del Modo de conteo de ciclos:

- Este modo muestra el número total de ciclos efectuados por el usuario.

#### Cómo ingresar:

- Presione Mixed Load Bell (Timbre de carga mixta) (DV405, DV398, DV395, DV393) o Time (Tiempo) (DV231, DV365) en el modo de servicio.

### Modo de revisión del software

#### Explicación del modo de revisión del software:

- Se usa para recuperar la versión del software.

#### Cómo ingresar:

En el Modo de servicio presione Temp (Temperatura) hasta que oiga un pitido.

Por ejemplo, en el caso de "U1 05", U1 indica una versión principal "U1", 05 indica una versión secundaria "05".

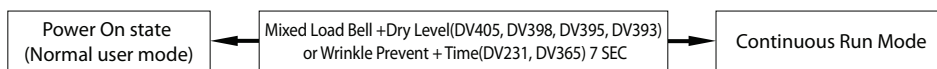
- Si presiona la tecla Temp (Temperatura) en el Modo de versión del software, la máquina volverá al Modo de servicio.

# ALINEACIÓN Y AJUSTES

## ADVERTENCIA

Para evitar riesgos de descarga eléctrica, lesiones o la muerte, desconecte el cable de alimentación de la secadora a menos que la prueba del electrodoméstico requiera que este esté enchufado.

## Modo de ejecución continua



### Cómo ingresar:

- Presione Mixed Load Bell (Timbre de carga mixta) + Dry Level (Nivel de secado) (DV405, DV398, DV395, DV393) o Wrinkle Prevent (Prevención de arrugas) + Time (Tiempo) (DV231, DV365) durante 7 segundos durante el Estado encendido (Modo normal de usuario).
- Una vez en el Modo de ejecución continua, se muestra sucesivamente "cc" durante 1 segundo, el número del ciclo finalizado durante 1 segundo y el tiempo restante durante 1 segundo.
- El ciclo anterior se reiniciará durante el Modo de ejecución continua hasta que éste se desactive.
- Durante el Modo de ejecución continua, presione Mixed Load Bell (Timbre de carga mixta) + Dry Level (Nivel de secado) (DV405, DV398, DV395, DV393) o Wrinkle Prevent (Prevención de arrugas) + Time (Tiempo) (DV231, DV365) durante 7 segundos para regresar al modo normal de usuario).

## Modo de visualización de datos (DV405, DV398, DV395, DV393 solamente)

### Cómo ingresar:

- Con la alimentación encendida, presione las teclas AdjustUp (Ajustar arriba) + AdjustDown (Ajustar abajo) durante 7 segundos hasta que oiga un pitido.
- Si no presiona ninguna tecla durante 5 minutos, la máquina saldrá del Modo de visualización de datos
- Si presiona la tecla AdjustUp (Ajustar arriba) en este modo, aumenta el Modo de visualización.
- Si presiona la tecla AdjustDown (Ajustar abajo) en este modo, disminuye el Modo de visualización.

### Explicación del Modo de visualización de datos:

- Modo de visualización 1: Datos de temperatura del aire
- Modo de visualización 2: Promedio de datos del sensor táctil durante 1 minuto
- Modo de visualización 3: Promedio de temperatura durante 1 minuto
- Modo de visualización 4: Datos de temperatura del sensor de ventilación (\*sólo DV398)

# ALINEACIÓN Y AJUSTES

## ADVERTENCIA

Para evitar riesgos de descarga eléctrica, lesiones o la muerte, desconecte el cable de alimentación de la secadora a menos que la prueba del electrodoméstico requiera que este esté enchufado.

## DIAGNÓSTICO DE PROBLEMAS

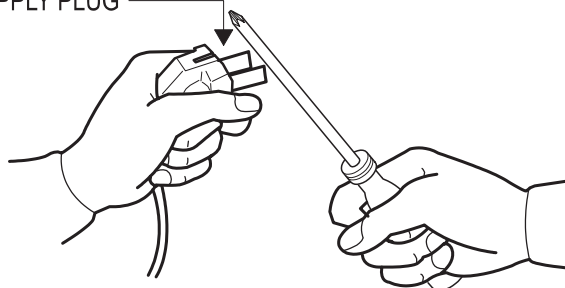
- Puesto que la estructura de la secadora micom es compleja, puede ser necesario contactar al servicio técnico.  
La siguiente información está elaborada para el diagnóstico exacto de los problemas y a modo de guía de reparación.

Siga las siguientes instrucciones para el diagnóstico de los problemas y el reemplazo de las piezas

## Precauciones durante la reparación y el reemplazo de piezas

- 1) Dado que ciertos componentes electrónicos se dañan con la electricidad estática presente en el cuerpo humano y en las partes de la secadora hechas con resina, aisle su cuerpo o elimine la diferencia de potencial entre el cuerpo humano y la secadora conectando el enchufe del cable de alimentación antes de trabajar con la PCB.

POWER SUPPLY PLUG



- 2) Dado que el conjunto de la PCB se encuentra diseñado de manera tal de no plantear problemas, no lo reemplace por un diagnóstico erróneo; siga el procedimiento indicado en el diagnóstico de problemas cuando micom no funcione con normalidad.

# SOLUCIÓN DE PROBLEMAS

## ADVERTENCIA

Para evitar riesgos de descarga eléctrica, lesiones o la muerte, desconecte el cable de alimentación de la secadora a menos que la prueba del electrodoméstico requiera que este esté enchufado.

No	Problema	Solución
1	<b>No se enciende o no se pone en funcionamiento</b>	<ul style="list-style-type: none"> <li>• Todos los cables están conectados en sus terminales correspondientes.</li> <li>• La secadora está enchufada.</li> <li>• Fusible quemado o disyuntor dañado.</li> <li>• Interruptor puerta funcional...puerta cerrada. Verifique código de error 3 (Consulte la tabla de definición de códigos)</li> <li>• Disco selector Start/Pause (Inicio/pausa) funcional.</li> <li>• Panel de control operacional.</li> <li>• Correa suelta o rota y funciona interruptor de correa.</li> <li>• Motor de accionamiento funcional.</li> <li>• Verifique la resistencia de bobinado del motor: 2.88 ohmios entre pines 3 y 4, 3.5 ohmios entre pines 4 y 5.</li> </ul>
2	<b>Motor funciona/ tambor no gira</b>	<ul style="list-style-type: none"> <li>• Correa suelta o rota/dañada.</li> <li>• Resorte tensión del rodillo demasiado flojo o estirado.</li> <li>• Polea del rodillo atascada o trabada.</li> </ul>
3	<b>Funciona unos minutos y se detiene</b>	<ul style="list-style-type: none"> <li>• Acumulación de pelusa alrededor del motor de accionamiento.</li> <li>• Voltaje bajo.</li> <li>• Impulsor del ventilador bloqueado en el gabinete del ventilador.</li> <li>• Motor de accionamiento - contactos del interruptor de arranque clavados.</li> </ul>
4	<b>Quema fusibles o dispara el disyuntor</b>	<ul style="list-style-type: none"> <li>- ¿La correa está bien conectada?</li> <li>- ¿El bobinado del motor es continuo? (Bobinado del rotor, bobinado del estátor, generador)</li> <li>- ¿El protector del motor es normal?</li> <li>• Si no encuentra los cinco puntos anteriores, el montaje de la PCB no es correcto. Reemplácela.</li> </ul>
5	<b>Quema fusibles o dispara el disyuntor (modelo de gas)</b>	<ul style="list-style-type: none"> <li>• Durante el encendido la secadora extraerá X amperios. Con el quemador ENCENDIDO, la secadora extraerá X amperios. Si el amperaje es superior, el cableado de la casa, la caja de fusibles o el disyuntor podrían fallar.</li> <li>• El arnés del deflagrador está flojo y cortocircuitado en la base.</li> <li>• Cableado incorrecto o cable de tierra cortocircuitado.</li> <li>• Bobinado del motor de accionamiento cortocircuitado en la toma de tierra.</li> </ul>
6	<b>No calienta (el motor funciona)</b>	<p>Elemento de calentamiento abierto.</p> <ul style="list-style-type: none"> <li>• Termostato de límite alto se dispara fácilmente o está abierto.</li> <li>• Termostato de regulación se dispara fácilmente o está abierto.</li> <li>• Interruptor de membrana abierto.</li> <li>• Verifique el termistor.</li> </ul>
7	<b>No seca Mala ignición del gas en modelo de gas</b>	<p>Cuando la secadora funciona en el ciclo de secado con calor, el deflagrador se debe activar y el quemador se debe encender antes de 45 segundos a 120 V CA. Normalmente uno de estos tres síntomas señalan la falla de un componente de este sistema:</p>

# SOLUCIÓN DE PROBLEMAS

## ADVERTENCIA

Para evitar riesgos de descarga eléctrica, lesiones o la muerte, desconecte el cable de alimentación de la secadora a menos que la prueba del electrodoméstico requiera que este esté enchufado.

No	Problema	Solución
8	<b>El deflagrador no se enciende</b>	Si el deflagrador no calienta, apague la alimentación y use un ohmímetro para verificar: <ul style="list-style-type: none"> <li>• Sensor de llama abierto</li> <li>• Deflagrador abierto</li> <li>• Bobina de inducción cortocircuitada</li> <li>• Cableado abierto</li> <li>• Interruptor del motor incorrecto (suministro neutro)</li> <li>• Sin alimentación del control (suministro L1)</li> </ul>
9	<b>Deflagrador enciende - No hay ignición del gas</b>	Si el deflagrador calienta pero no se enciende la llama del quemador principal, apague la alimentación y use un ohmímetro para verificar: <ul style="list-style-type: none"> <li>• Bobina secundaria abierta</li> <li>• Bobina de retención abierta</li> <li>• Arnés del cable abierto</li> <li>• Sensor de llama trabado (casi cerrado)</li> </ul>
10	<b>El gas se enciende pero la llama se extingue</b>	Si hay una ignición normal pero la llama se extingue pasados unos momentos, verifique: <ul style="list-style-type: none"> <li>• Los contactos del sensor radiante se han abierto prematuramente.</li> <li>• Un resorte flojo de la válvula del gas se puede abrir cuando un temperatura alta lo somete a tensión.</li> <li>• Termostato de límite alto frágil</li> <li>• Mala ventilación</li> <li>• Sellos del tambor en mal estado</li> </ul>
11	<b>Secado incorrecto ropa arrugada textura áspera excesivo tiempo de secado</b>	<ul style="list-style-type: none"> <li>• El filtro para pelusas no está limpio.</li> <li>• Hay obstrucciones en el drenaje</li> <li>• La puerta de regulador de la tapa de drenaje exterior está trabada.</li> <li>• Drenaje demasiado largo, demasiados codos, instalado conducto de drenaje flexible.</li> <li>• Poca entrada de aire disponible para la secadora.</li> <li>• Velocidad del tambor incorrecta. La correa del tambor resbala.</li> <li>• Impulsor del ventilador obstruido, verifique que no haya materiales extraños en el área del ventilador.</li> <li>• Carga excesiva en la secadora.</li> <li>• Verifique composición en etiquetas de la ropa y ciclo seleccionado.</li> <li>• Ropa demasiado húmeda por centrifugado insuficiente de la lavadora.</li> </ul>
12	<b>Ruidos y/o vibraciones</b>	<ul style="list-style-type: none"> <li>• Golpeteos Verifique si el deflector del tambor está flojo, los rodillos posteriores del tambor están desgastados o mal alineados, el tambor está abollado o hay rebabas de soldadura en el tambor.</li> <li>• Tictac Verifique si el arnés del cableado está flojo o hay algún objeto atrapado en el área de la rueda del ventilador.</li> <li>• Chirridos Verifique si la junta de mampara frontal o posterior está fuera de lugar o los rodamientos frontales del tambor están desgastados.</li> <li>• Retumbos Verifique si la rueda del ventilador roza con el gabinete del ventilador o si los rodamientos del motor están desgastados.</li> <li>• Chasquidos o chirridos. Verifique si la correa está pegajosa o raída.</li> </ul>

# SOLUCIÓN DE PROBLEMAS

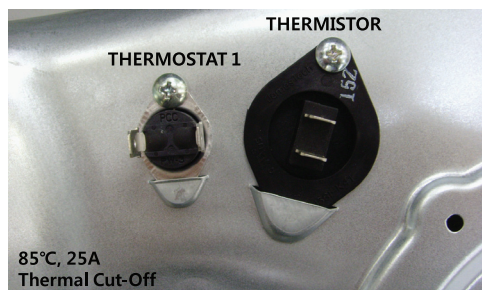
## ⚠ ADVERTENCIA

Para evitar riesgos de descarga eléctrica, lesiones o la muerte, desconecte el cable de alimentación de la secadora a menos que la prueba del electrodoméstico requiera que este esté enchufado.

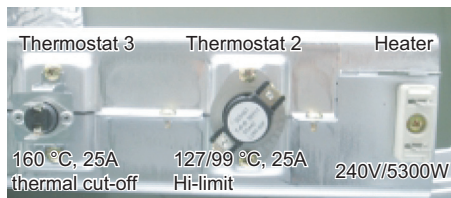
## PROCEDIMIENTO DE PRUEBA DE LOS COMPONENTES

### Prueba de los componentes eléctricos (con ohmímetro)

- Resistencia del termistor 10K  $\Omega$  @ 25 °C 77 °F
- Resistencia de termostato 1 < 1  $\Omega$



- Resistencia de termostato 3 < 1  $\Omega$   
- Si la resistencia es infinita, reemplace el termostato 3.
- Resistencia de termostato 2 < 1  $\Omega$   
- Si la resistencia es infinita, reemplace el termostato 2.
- Resistencia del calentador 10  $\Omega$   
- Si la resistencia es infinita reemplace el calentador.

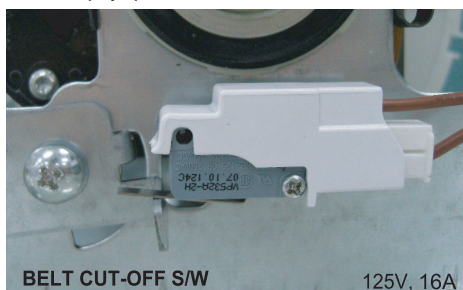


- Medición de la resistencia de los siguientes terminales

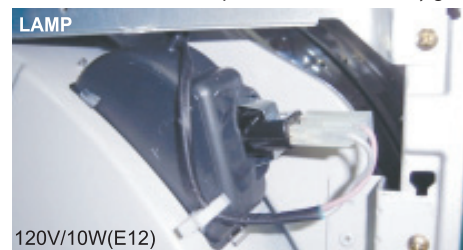
- 1) Interruptor puerta: apagado  
**Terminal: "COM" - "NC" (1-3) < 1  $\Omega$**   
**Terminal: "COM" - "NO" (1-2) :  $\infty \Omega$**
- 2) Interruptor puerta: Encendido  
**Terminal: "COM" - "NC" (1-3) :  $\infty \Omega$**   
**Terminal: "COM" - "NO" (1-2) < 1  $\Omega$**



- Interruptor eléctrico de correa  
- Apertura palanca: Valor de la resistencia < 1  $\Omega$   
- Empuje palanca: Valor de la resistencia:  $\infty \Omega$



- Resistencia de la lámpara 80~100  $\Omega$  (violeta y gris)



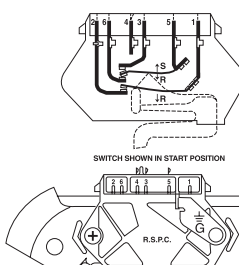
- Motor (Electrónico y GAS)

### Contactos

- = Contacto cerrado

Función	1M	2M	3M	5M	6M
Inicio			●————●		
Funcionamiento	●————●			●————●	

### Interruptor centrífugo (motor)



2.88  $\Omega$  entre pines 3 y 4

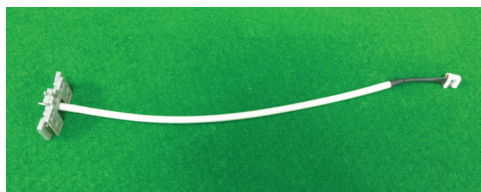
3.5  $\Omega$  entre pines 4 y 5

# SOLUCIÓN DE PROBLEMAS

## ⚠ ADVERTENCIA

Para evitar riesgos de descarga eléctrica, lesiones o la muerte, desconecte el cable de alimentación de la secadora a menos que la prueba del electrodoméstico requiera que este esté enchufado.

## RESISTENCIA



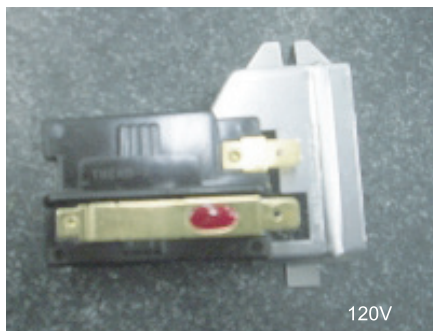
238.23Ω @ 25 °C 77

## MODELOS A GAS

### Sensor radiante (10RS)

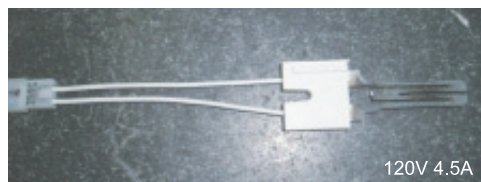
Valor de la resistencia < 1 Ω

Si la resistencia es infinita, reemplace el sensor radiante



### Deflagrador (101D)

Valor de la resistencia 40~400 Ω



Si la resistencia es infinita, reemplace el deflagrador

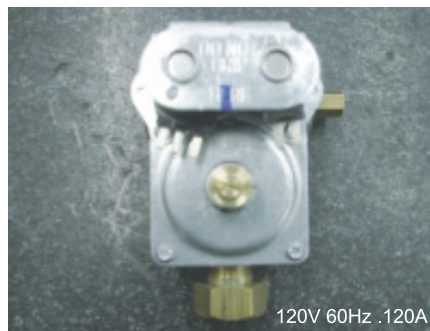
### Válvula del gas (25M01A)

Válvula 1-2 : Valor de la resistencia 1.2 K Ω

Válvula 1-3 : Valor de la resistencia 0.5K Ω

Válvula 4-5 : Valor de la resistencia 1.2 K Ω

Si la resistencia es infinita, reemplace la válvula



### Termostato (60 T21 límite alto) 230 F-50 F

Valor de la resistencia < 1 Ω

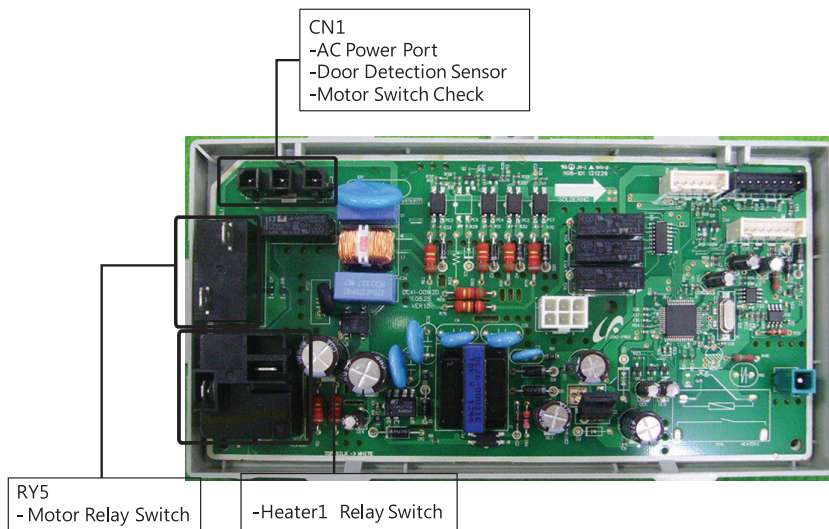
Si la resistencia es infinita, reemplace el termostato



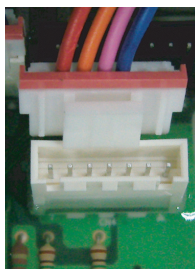
# SOLUCIÓN DE PROBLEMAS

## ⚠ ADVERTENCIA

Para evitar riesgos de descarga eléctrica, lesiones o la muerte, desconecte el cable de alimentación de la secadora a menos que la prueba del electrodoméstico requiera que este esté enchufado.



## Verificación de las barras del sensor y el sensor de la temperatura



**Barras del sensor** - Desconecte el arnés y pruebe pin 4 de cable rosa en pin 5 de cable naranja.  
Aprox.  $\infty \Omega$  sin ropa  
Aprox.  $190 \Omega \pm 10\%$  con ropa húmeda

**Termistor de los ciclos** - Desconecte el arnés y pruebe pin 3 de cable azul en pin 6 de cable rojo.  
Aprox.  $10 \text{ K} \Omega$  a  $25^\circ \text{C}/77^\circ \text{F}$

## Verificación de las barras del sensor y el sensor de la temperatura (DV398 solamente)



**Barras del sensor** - Desconecte el arnés y pruebe pin 4 de cable rosa en pin 5 de cable naranja.  
Aprox.  $\infty \Omega$  sin ropa  
Aprox.  $190 \Omega \pm 10\%$  con ropa húmeda

**Termistor 1 de los ciclos** - Desconecte el arnés y pruebe pin 3 de cable azul en pin 6 de cable rojo.  
Aprox.  $10 \text{ K} \Omega$  a  $25^\circ \text{C}/77^\circ \text{F}$

**Termistor 2 de los ciclos** - Desconecte el arnés y pruebe pin 2 de cable amarillo en pin 7 de cable blanco.  
Aprox.  $238.231 \text{ K} \Omega$  a  $25^\circ \text{C}/77^\circ \text{F}$



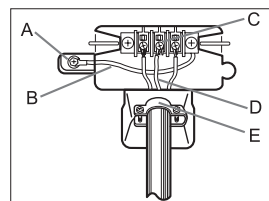
# SOLUCIÓN DE PROBLEMAS

## ADVERTENCIA

Para evitar riesgos de descarga eléctrica, lesiones o la muerte, desconecte el cable de alimentación de la secadora a menos que la prueba del electrodoméstico requiera que este esté enchufado.

### Conexiones de sistemas de 3 CABLES

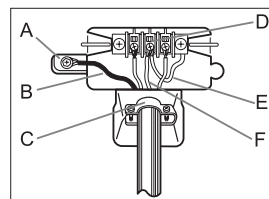
- A. Conector a tierra externo
- B. Cable a tierra neutro (verde/amarillo)
- C. Tornillo central de color plateado del bloque de terminales
- D. Cable neutro (cable blanco o central)
- E. Protección contra los tirones con certificación UL de  $\frac{3}{4}$ " (1.9 cm)
  1. Afloje o retire el tornillo central del bloque de terminales.
  2. Conecte el cable neutro (cable blanco o central) del cable de alimentación a la terminal de tornillo central de color plateado del bloque de terminales. Ajuste el tornillo.
  3. Conecte los demás cables a los tornillos externos del bloque de terminales. Ajuste los tornillos.
  4. Ajuste los tornillos con dispositivo de alivio de tensión.
  5. Inserte la lengüeta de la cubierta del bloque de terminales en la ranura del panel posterior de la secadora.  
Asegure la cubierta con un tornillo de sujeción.



Si realiza la conversión del sistema eléctrico de 4 cables a 3 cables, debe volver a conectar la cinta de conexión a tierra al soporte del bloque de terminales para conectar a tierra el armazón de la secadora al conductor neutro.

### Conexiones de sistemas de 4 CABLES

- A. Conector a tierra externo
- B. Cable verde o de cobre desnudo del cable de alimentación
- C. Protección contra los tirones con certificación UL de  $\frac{3}{4}$ " (1.9 cm)
- D. Tornillo central de color plateado del bloque de terminales
- E. Cable a tierra neutro (verde/amarillo)
- F. Cable neutro (cable blanco o central)
  1. Retire el tornillo del conector a tierra externo.
  2. Conecte el cable a tierra (verde o sin cubierta) del cable de alimentación al tornillo del conector a tierra externo. Si desea conectar B (cable de cobre verde o desnudo del cable de alimentación) al terminal neutro sin montarlo en A (conexión a tierra del gabinete), llame al servicio técnico.
  3. Afloje o retire el tornillo central del bloque de terminales.
  4. Conecte el cable neutro (cable blanco o central) del cable de alimentación y el cable a tierra del electrodoméstico (verde con franjas amarillas) debajo del tornillo central del bloque de terminales.
  5. Conecte los demás cables a los tornillos externos del bloque de terminales. Ajuste los tornillos.
  6. Ajuste los tornillos con dispositivo de alivio de tensión.
  7. Inserte la lengüeta de la cubierta del bloque de terminales en la ranura del panel posterior de la secadora.  
Asegure la cubierta con un tornillo de sujeción.

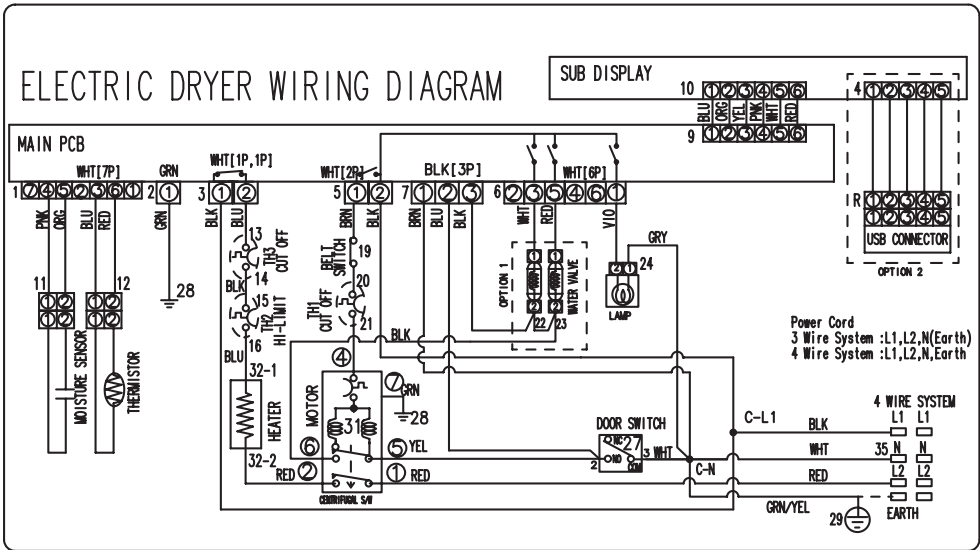


# DIAGRAMA DEL CABLEADO

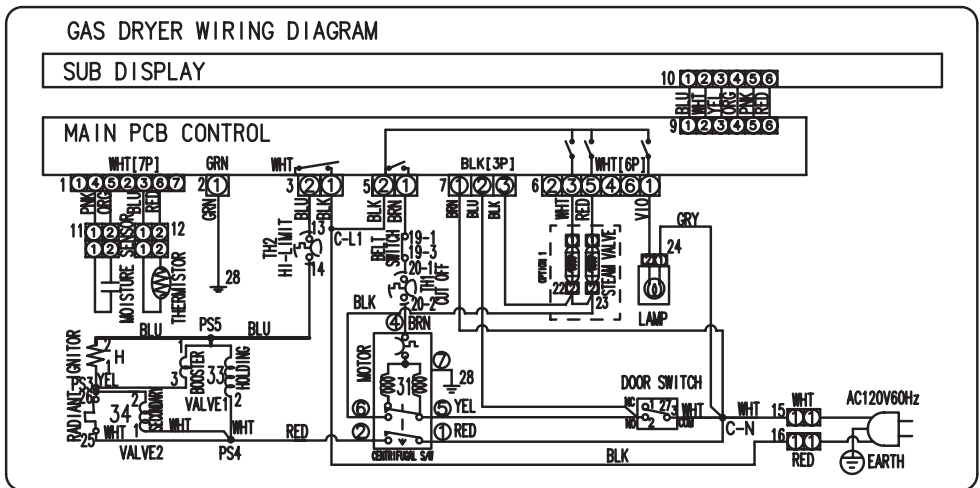
## ⚠ ADVERTENCIA

Para evitar riesgos de descarga eléctrica, lesiones o la muerte, desconecte el cable de alimentación de la secadora a menos que la prueba del electrodoméstico requiera que este esté enchufado.

## DIAGRAMA DEL CABLEADO



OPCIÓN 1: Modelos de vapor solamente, OPCIÓN 3: Modelos PREPARADO PARA DR solamente

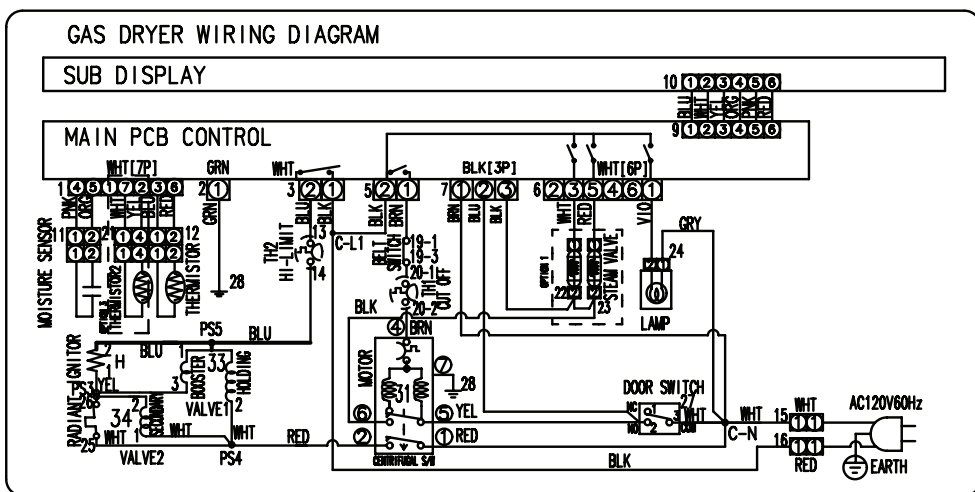
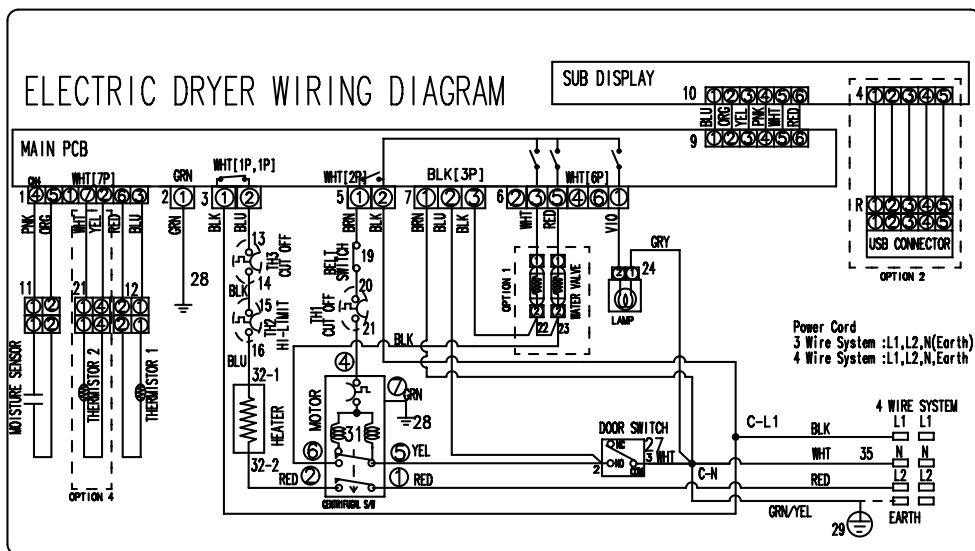


# DIAGRAMA DEL CABLEADO

## ⚠ ADVERTENCIA

Para evitar riesgos de descarga eléctrica, lesiones o la muerte, desconecte el cable de alimentación de la secadora a menos que la prueba del electrodoméstico requiera que este esté enchufado.

## DIAGRAMA DEL CABLEADO (sólo DV398)



**SAMSUNG**

# SÈCHE-LINGE

## Informations techniques

**CONSIGNE DE SÉCURITÉ IMPORTANTE : réservée aux techniciens** Cette fiche de maintenance est destinée aux réparateurs disposant d'un niveau d'expérience et de connaissances suffisants en matière d'électricité, d'électronique et de mécanique. Toute opération de réparation d'un gros appareil électro-ménager est susceptible d'entraîner des blessures ou des dégâts matériels. Le fabricant ou le vendeur ne peut pas être tenu responsable en cas de blessure ou de dégât matériel découlant de l'utilisation de la présente fiche.

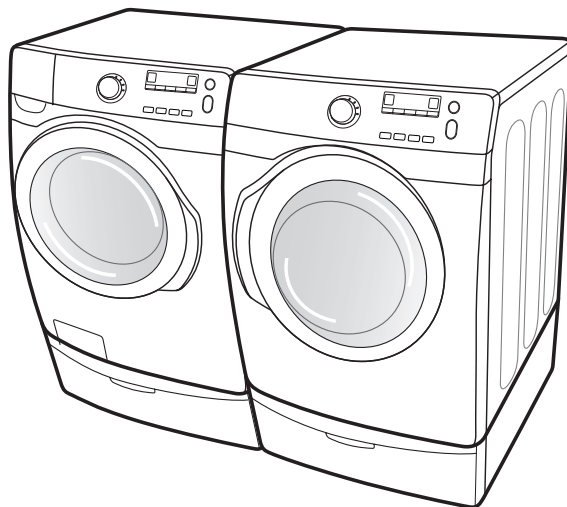
- En raison des risques de blessure ou de dommages matériels existants, demandez toujours à un technicien qualifié d'effectuer les opérations d'entretien ou de réparation de l'appareil.
- Reportez-vous au manuel de réparation (DV405, DV398, DV395, DV393, DV231, DV365) pour connaître les consignes d'installation, d'utilisation, de test, de dépannage et de démontage détaillées.

### **ATTENTION**

Toutes les consignes de sécurité figurant dans le manuel de réparation de DV405, DV398, DV395, DV393, DV231, DV365 doivent être respectées.

### **AVERTISSEMENT**

Afin d'éviter tout risque d'électrocution légère ou mortelle, débranchez le sèche-linge avant de le réparer, sauf si le test nécessite sa mise sous tension.



Code n° : DC68-02365H-03\_CFR

# ALIGNEMENTS ET RÉGLAGES

## AVERTISSEMENT

Afin d'éviter tout risque d'électrocution légère ou mortelle, débranchez le sèche-linge avant de le réparer, sauf si le test nécessite sa mise sous tension.

## CODES D'ERREUR ET DIAGNOSTICS

Lorsqu'une erreur se produit, un signal sonore retentit pendant 5 secondes et l'un des messages d'erreur suivants s'affiche en continu.

Affichage de l'erreur	Problème	Vérification
<b>tE</b>	La résistance de la thermistance est très faible ou très élevée.	Diagnostic possible : - Filtre à peluches bouché. - Capacités du système d'aération réduites. - Vérifiez la résistance de la thermistance.
<b>HE</b>	Température de chauffage non valide lors du fonctionnement du sèche-linge.	Diagnostic possible : - Capacités du système d'aération réduites. - Vérifiez la résistance de la thermistance.
<b>dE</b>	Faire fonctionner le sèche-linge lorsque le hublot est ouvert	Diagnostic possible : - Fermez le hublot et allumez le sèche-linge. - Bornes du câble mal connectées ou débranchées au niveau du circuit du capteur du hublot.
<b>dF</b>	État de hublot non valide pendant plus de 256 millisecondes	Diagnostic possible : - Bornes du câble mal connectées ou débranchées au niveau du circuit du capteur du hublot.
<b>bE2</b>	État non valide de court-circuit principal pendant 30 secondes	Diagnostic possible : - Circuit principal de la carte de circuit imprimé de l'affichage court-circuité ou non.
<b>FE</b>	Fréquence de source d'alimentation non valide	Diagnostic possible : - Utilisation d'une fréquence d'alimentation incorrecte. - Circuit du capteur de fréquence d'alimentation endommagé.
<b>2E</b>	Problème d'ordre électronique (Surtension)	Diagnostic possible : - Vérifiez la carte de circuit imprimé et le faisceau électrique. - Vérifiez l'alimentation électrique.
<b>AE</b>	Problème électronique (communication)	Diagnostic possible : - Vérifiez la carte de circuit imprimé et le faisceau électrique. - Remplacez la carte de circuit imprimé.
<b>Et</b>	Etat non valide de la communication Eeprom	Diagnostic possible : - Carte de circuit imprimé avec circuit Eeprom.

# ALIGNEMENTS ET RÉGLAGES

## AVERTISSEMENT

Afin d'éviter tout risque d'électrocution légère ou mortelle, débranchez le sèche-linge avant de le réparer, sauf si le test nécessite sa mise sous tension.

## MODE DE TEST

### Mode de réparation (DV405, DV398, DV395, DV393 uniquement)

#### Saisie :

- Pour passer en mode de réparation, appuyez simultanément sur les boutons Mixed Load Bell (Charge mixte) et Temp. (Température) pendant 3 secondes en mode normal jusqu'à ce que l'appareil émette un signal sonore.
- Si vous appuyez sur les boutons Mixed Load Bell (Charge mixte) et Temp. (Température) en mode de réparation, le mode normal est rétabli.
- Même si vous passez en mode de réparation, le cycle de fonctionnement n'est pas affecté.

### Test du câble de modem de gestion de la demande électrique (DV431AS\* uniquement)

#### Saisie :

- Après être passé en mode de réparation, appuyez sur le bouton Wrinkle Prevent (Anti-froissage) afin de démarrer le test du câble.
- Pendant le test, « --- » s'affiche.
- Si le résultat du test est normal, « SG » s'affiche.
- Si un problème survient, le code d'erreur « AE3 » s'affiche.

### Mode d'affichage des données du capteur tactile

#### Définition du mode d'affichage des données du capteur tactile :

- Ce mode est le mode par défaut pour passer en mode de réparation.

#### Saisie :

- Avec l'appareil sous tension, appuyez simultanément sur Mixed Load Bell (Charge mixte) et Temp (Température) (DV405, DV398, DV395, DV393) ou Wrinkle Prevent (Anti-froissage) et Temp (Température) (DV231, DV365) pendant 3 secondes.
- Cette action met le sèche-linge en mode de données du capteur.
- Le sèche-linge affiche les données du capteur.

### Mode de comptage de cycle

#### Définition du mode de comptage de cycle :

- Ce mode permet d'obtenir le nombre total de cycles que l'utilisateur a effectué.

#### Saisie :

- Appuyez sur le bouton Mixed Load Bell (Charge mixte) (DV405, DV398, DV395, DV393) ou Time (Temps) (DV231, DV365) en mode de réparation.

### Mode de révision de logiciel

#### Définition du mode de révision de logiciel :

- Permet de retrouver la version logicielle

#### Saisie :

En mode de réparation, appuyez sur Temp (Température) jusqu'à l'émission d'un signal sonore

Exemple : pour « U1 05 », U1 signifie version principale « U1 » et 05 signifie version mineure « 05 ».

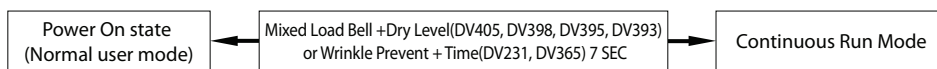
- Si le bouton Temp (Température) est actionné en mode version logicielle, le mode de réparation est rétabli.

# ALIGNEMENTS ET RÉGLAGES

## AVERTISSEMENT

Afin d'éviter tout risque d'électrocution légère ou mortelle, débranchez le sèche-linge avant de le réparer, sauf si le test nécessite sa mise sous tension.

## Mode de fonctionnement en continu



### Saisie :

- Appuyez simultanément sur Mixed Load Bell (Charge mixte) et Dry Level (Niveau de séchage) (DV405, DV398, DV395, DV393) ou sur Wrinkle Prevent (Anti-froissage) et Time (Temps) (DV231, DV365) pendant 7 s avec l'appareil sous tension (mode d'utilisation normale).
- Une fois en mode de fonctionnement en continu, « cc », le nombre de cycles finis et le temps restant sont affichés à tour de rôle pendant 1 s.
- Le cycle précédent redémarre en mode de fonctionnement en continu jusqu'à la désactivation de ce mode.
- Pendant le mode de fonctionnement en continu, appuyez simultanément sur Mixed Load Bell (Charge mixte) et Dry Level (Niveau de séchage) (DV405, DV398, DV395, DV393) ou sur Wrinkle Prevent (Anti-froissage) et Time (Temps) (DV231, DV365) pendant 7 s pour rétablir le mode d'utilisation normale.

## Mode d'affichage de données (DV405, DV398, DV395, DV393 uniquement)

### Saisie :

- Avec l'appareil sous tension, appuyez sur les boutons AdjustUp (Augmenter) et AdjustDown (Diminuer) pendant 7 secondes jusqu'à l'émission d'un signal sonore.
- Si aucun bouton n'est actionné au bout de 5 minutes, le mode d'affichage de données est rétabli
- Si le bouton AdjustUp (Augmenter) est actionné en ce mode, le mode d'affichage est augmenté.
- Si le bouton AdjustDown (Diminuer) est actionné en ce mode, le mode d'affichage est diminué.

### Définition du mode d'affichage des données:

- Mode d'affichage 1 : Données de température de l'air
- Mode d'affichage 2 : données moyennes du capteur tactile pendant 1 minute
- Mode d'affichage 3 : données de température moyenne pendant 1 minute
- Mode d'affichage 4 : données de température du capteur de ventilation (\*DV398 uniquement)

# ALIGNEMENTS ET RÉGLAGES

## **! AVERTISSEMENT**

Afin d'éviter tout risque d'électrocution légère ou mortelle, débranchez le sèche-linge avant de le réparer, sauf si le test nécessite sa mise sous tension.

## DIAGNOSTIC DES PROBLÈMES

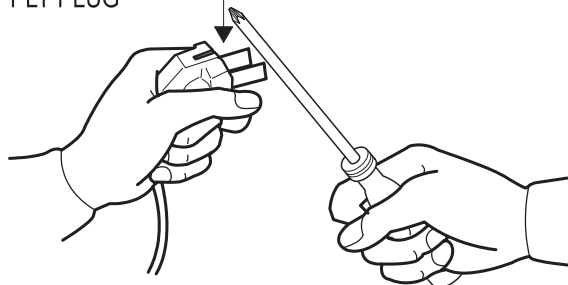
- Le micom du sèche-linge est configuré pour une structure complexe, c'est pourquoi il est conseillé de contacter le service après-vente.  
Les informations suivantes répondent à un diagnostic précis et constituent un guide de réparation adapté.

## Consignes à respecter pendant les opérations de réparation et de remplacement

Respectez les consignes ci-dessous pour le diagnostic des problèmes et le remplacement des pièces.

- 1) Certains composants électroniques risquant d'être endommagés par l'électricité statique recouvrant la partie en résine du sèche-linge ou le corps humain, veillez à ce que votre corps soit toujours relié à la terre ou éliminez la différence de potentiel de votre corps et du sèche-linge en touchant la prise d'alimentation avant de travailler sur la carte de circuit imprimé.

POWER SUPPLY PLUG



- 2) La carte de circuit imprimé étant un composant résistant, ne la remplacez pas suite à un diagnostic erroné et respectez la procédure de diagnostic des problèmes lorsque le micom ne fonctionne pas correctement.



# DÉPANNAGE

## AVERTISSEMENT

Afin d'éviter tout risque d'électrocution légère ou mortelle, débranchez le sèche-linge avant de le réparer, sauf si le test nécessite sa mise sous tension.

N°	Problème	Procédure à suivre
1	<b>Ne démarre pas ou ne fonctionne pas</b>	<ul style="list-style-type: none"> <li>Tous les câbles sont branchés sur les bornes correspondantes.</li> <li>Le sèche-linge est branché.</li> <li>Le fusible est grillé ou le disjoncteur est déclenché.</li> <li>Interrupteur du hublot fonctionnel...hublot fermé. Vérifiez le code d'erreur 3 (reportez-vous au tableau pour la définition des codes).</li> <li>La mise en marche/pause à l'aide du sélecteur rotatif fonctionne.</li> <li>Panneau de commande opérationnel.</li> <li>La courroie est désactivée ou rompue et l'interrupteur de désactivation de la courroie fonctionne.</li> <li>Moteur d'entraînement fonctionnel.</li> <li>Vérifiez la résistance de la bobine du moteur : 2,88 ohms entre les broches 3 et 4, 3,5 ohms entre les broches 4 et 5.</li> </ul>
2	<b>Le moteur fonctionne mais le tambour ne tourne pas</b>	<ul style="list-style-type: none"> <li>La courroie est désactivée ou rompue/endommagée.</li> <li>Le ressort à tension du galet est défectueux ou étiré.</li> <li>Le galet-tendeur est bloqué ou grippé.</li> </ul>
3	<b>Fonctionne quelques minutes puis s'arrête</b>	<ul style="list-style-type: none"> <li>Des peluches se sont accumulées autour du moteur d'entraînement.</li> <li>Faible tension électrique.</li> <li>La turbine du ventilateur est bloquée dans le logement du ventilateur.</li> <li>Les contacts de l'interrupteur de démarrage du moteur d'entraînement sont bloqués.</li> </ul>
4	<b>Fait griller les fusibles ou déclenche le disjoncteur</b>	<ul style="list-style-type: none"> <li>La courroie est-elle correctement fixée ?</li> <li>La rotation du moteur est-elle continue ? (enroulement du rotor, enroulement du stator, génératrice)</li> <li>La protection du moteur est-elle normale ?</li> <li>Si aucun des points ci-dessus n'est défaillant, la carte de circuit imprimé est défectueuse. Remplacez-la.</li> </ul>
5	<b>Fait griller les fusibles ou déclenche le disjoncteur (modèle à gaz)</b>	<ul style="list-style-type: none"> <li>Lors de l'allumage, le sèche-linge consomme X A. Lorsque le brûleur est allumé, le sèche-linge consomme X A. Si la consommation du sèche-linge est supérieure à ces valeurs, le système électrique du domicile, la boîte de fusibles ou le disjoncteur sont défectueux.</li> <li>Le faisceau électrique de l'allumeur est mal connecté et court-circuité à la base.</li> <li>Le câblage est incorrect ou le câble de terre est court-circuité.</li> <li>La bobine du moteur d'entraînement est court-circuitée à la terre.</li> </ul>
6	<b>Ne chauffe pas (le moteur tourne)</b>	<p>L'élément chauffant est coupé.</p> <ul style="list-style-type: none"> <li>Le régulateur se déclenche facilement ou est coupé.</li> <li>Le thermostat de régulation se déclenche facilement ou est coupé.</li> <li>Le commutateur de membrane est coupé.</li> <li>Vérifiez la thermistance.</li> </ul>
7	<b>Ne sèche pas, mauvais allumage (modèle à gaz)</b>	<p>Lorsque le sèche-linge fonctionne avec un programme de séchage, l'allumeur doit être sous tension et le brûleur doit s'allumer dans les 45 secondes à 120 V CA. Lorsque l'un des composants du système est défectueux, cela est indiqué par l'un des trois symptômes suivants :</p>

# DÉPANNAGE

## AVERTISSEMENT

Afin d'éviter tout risque d'électrocution légère ou mortelle, débranchez le sèche-linge avant de le réparer, sauf si le test nécessite sa mise sous tension.

N°	Problème	Procédure à suivre
8	<b>L'allumeur ne s'allume pas.</b>	<p>Si l'allumeur ne chauffe pas, coupez l'alimentation et à l'aide d'un ohmmètre, vérifiez les points suivants :</p> <ul style="list-style-type: none"> <li>• Détecteur de flamme coupé</li> <li>• Allumeur coupé</li> <li>• Survolteur court-circuité</li> <li>• Câblage coupé</li> <li>• Commutateur de moteur défectueux (courant neutre)</li> <li>• Pas d'alimentation depuis la commande (courant L1)</li> </ul>
9	<b>L'allumeur s'allume. Le gaz ne prend pas</b>	<p>Si l'allumeur chauffe mais le brûleur principal ne s'allume pas, coupez l'alimentation et à l'aide d'un ohmmètre, vérifiez les points suivants :</p> <ul style="list-style-type: none"> <li>• Bobine secondaire coupée</li> <li>• Bobine de maintien coupée</li> <li>• Fils couplés débranchés</li> <li>• Capteur de flamme bloqué (complètement obstrué)</li> </ul>
10	<b>Le gaz s'allume mais la flamme s'éteint</b>	<p>Si l'allumage s'effectue normalement et que la flamme s'éteint après une courte période, vérifiez les points suivants :</p> <ul style="list-style-type: none"> <li>• Les contacts du capteur radiant se coupent prématurément</li> <li>• Une vanne défectueuse peut se couper lorsqu'elle est soumise à des températures trop élevées</li> <li>• Régulateur défectueux</li> <li>• Ventilation défaillante</li> <li>• Joints de tambours défectueux</li> </ul>
11	<b>Mauvais séchage, vêtements froissés, texture rêche, durée de séchage trop longue</b>	<ul style="list-style-type: none"> <li>• Le filtre à peluches est sale.</li> <li>• Le système d'aération est bouché.</li> <li>• Le registre du système d'aération extérieur est bloqué.</li> <li>• Le conduit d'évacuation est trop long, trop coudé, trop flexible.</li> <li>• La prise d'air du sèche-linge est mauvaise.</li> <li>• La vitesse du tambour est incorrecte. La courroie du tambour est mal fixée.</li> <li>• La turbine du ventilateur est bloquée. Vérifiez qu'il n'y a pas de corps étrangers au niveau du ventilateur.</li> <li>• L'utilisateur a surchargé le sèche-linge.</li> <li>• Vérifiez les étiquettes des vêtements et le cycle sélectionné.</li> <li>• Les vêtements sont trop mouillés en raison d'un mauvais essorage du linge.</li> </ul>
12	<b>Bruit et/ou vibrations</b>	<ul style="list-style-type: none"> <li>• Bruit sourd. Vérifiez que les battants du tambour ne sont pas desserrés, le ou les rouleaux arrière du tambour sont usés ou mal alignés, le tambour est voilé ou le joint de soudure du tambour est important.</li> <li>• Cliquetis. Vérifiez que les fils couplés ne sont pas mal connectés ou qu'aucun objet n'est pris dans la roue du ventilateur.</li> <li>• Raclement. Vérifiez que la rondelle en feutre du bloc avant ou arrière ne s'est pas déplacée ou que les roulements avant du tambour ne sont pas usés.</li> <li>• Grondement. Vérifiez que la roue du ventilateur ne frotte pas contre le logement du ventilateur ou que les roulements du moteur ne sont pas défectueux.</li> <li>• Bruit sec ou grincement. Vérifiez que la courroie n'est pas collante ou effilochée.</li> </ul>

# DÉPANNAGE

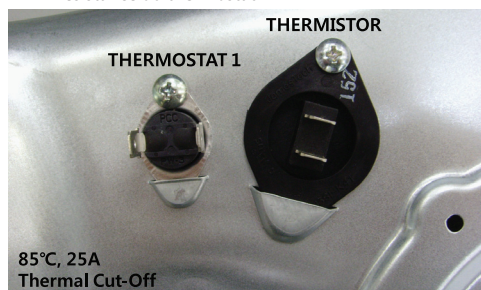
## ⚠ AVERTISSEMENT

Afin d'éviter tout risque d'électrocution légère ou mortelle, débranchez le sèche-linge avant de le réparer, sauf si le test nécessite sa mise sous tension.

## PROCÉDURES DE TEST DES COMPOSANTS

### Test des composants électriques (avec ohmmètre)

- Résistance de la thermistance 10 K $\Omega$  @ 25°C (77°F)
- Résistance du thermostat 1 < 1  $\Omega$



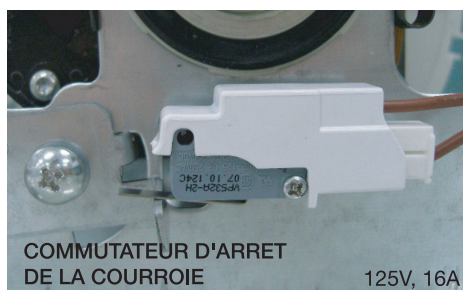
- Résistance du thermostat 3 < 1  $\Omega$   
- Si la résistance est infinie, remplacez le thermostat 3.
- Résistance du thermostat 2 < 1  $\Omega$   
- Si la résistance est infinie, remplacez le thermostat 2.
- Résistance de l'élément chauffant 10  $\Omega$   
- Si la résistance est infinie, remplacez l'élément chauffant.
- Mesurez la résistance des bornes suivantes



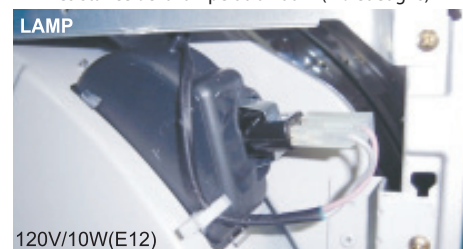
- 1) Interrupteur du hublot : désactivé  
Borne : « COM » - « NC » (1-3) < 1  $\Omega$   
Borne : « COM » - « NO » (1-2) :  $\infty \Omega$
- 2) Interrupteur du hublot : activé  
Borne : « COM » - « NC » (1-3) :  $\infty \Omega$   
Borne : « COM » - « NO » (1-2) < 1  $\Omega$



- Commutateur d'arrêt de la courroie  
- Manette ouverte : valeur ohmique < 1  $\Omega$   
- Manette actionnée : valeur ohmique :  $\infty \Omega$



- Résistance de la lampe 80 à 100  $\Omega$  (violet et gris)



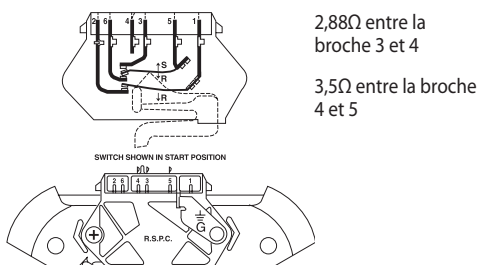
- Moteur (électronique et gaz)

### Contacts

Fonction	1M	2M	3M	5M	6M
Départ			●————●		
Fonctionnement	●————●			●————●	

- = contact fermé

## Interrupteur centrifuge (moteur)

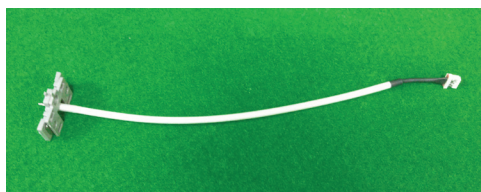


# DÉPANNAGE

## ⚠ AVERTISSEMENT

Afin d'éviter tout risque d'électrocution légère ou mortelle, débranchez le sèche-linge avant de le réparer, sauf si le test nécessite sa mise sous tension.

## RÉSISTANCE



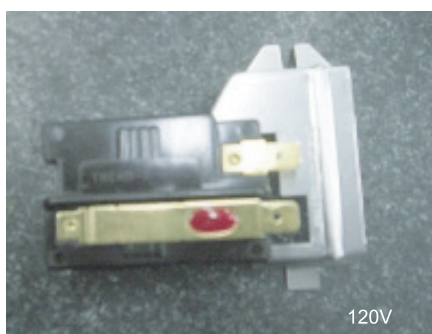
238,23Ω @ 25 °C 77

## MODÈLE À GAZ

### Capteur radiant (10RS)

Valeur ohmique < 1 Ω

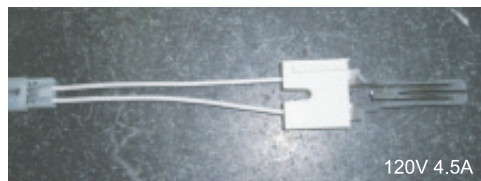
Si la résistance est infinie, remplacez le capteur radiant



### Allumeur (101D)

Valeur ohmique 40 à 400 Ω

Si la résistance est infinie, remplacez l'allumeur.



### Soupape à gaz (25M01A)

Soupape 1-2 : valeur ohmique 1,2 KΩ

Soupape 1-3 : valeur ohmique 0,5 KΩ

Soupape 4-5 : valeur ohmique 1,2 KΩ

Si la résistance est infinie, remplacez la soupape.



### Thermostat (régulateur 60T21) 230F-50F

Valeur ohmique < 1 Ω

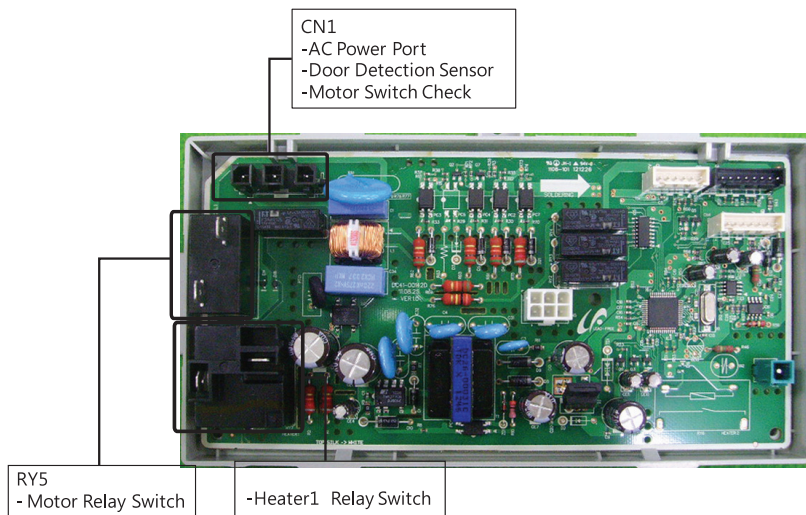
Si la résistance est infinie, remplacez le thermostat.



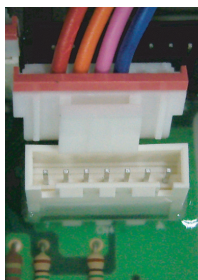
# DÉPANNAGE

## ⚠ AVERTISSEMENT

Afin d'éviter tout risque d'électrocution légère ou mortelle, débranchez le sèche-linge avant de le réparer, sauf si le test nécessite sa mise sous tension.



## Vérification des capteurs et du capteur de température



**Capteurs** - Débranchez le faisceau et testez le fil rose au niveau de la broche 4 et le fil orange au niveau de la broche 5.

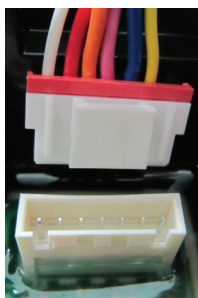
Environ  $\infty \Omega$  sans linge

Environ  $190 \Omega \pm 10 \%$  avec linge mouillé

**Thermistance de cyclage** - Débranchez le faisceau et testez le fil bleu au niveau de la broche 3 et le fil rouge au niveau de la broche 6.

Environ  $10 \text{ K}\Omega$  à  $25^\circ\text{C}/77^\circ\text{F}$

## Vérification des capteurs et du capteur de température (DV398 uniquement)



**Capteurs** - Débranchez le faisceau et testez le fil rose au niveau de la broche 4 et le fil orange au niveau de la broche 5.

Environ  $\infty \Omega$  sans linge

Environ  $190 \Omega \pm 10 \%$  avec linge mouillé

**Thermistance de cyclage 1** - Débranchez le faisceau et testez le fil bleu au niveau de la broche 3 et le fil rouge au niveau de la broche 6.

Environ  $10 \text{ K}\Omega$  à  $25^\circ\text{C}$  ( $77^\circ\text{F}$ )

**Thermistance de cyclage 2** - Débranchez le faisceau et testez le fil jaune au niveau de la broche 2 et le fil blanc au niveau de la broche 7.

Environ  $238,231 \text{ K}\Omega$  à  $25^\circ\text{C}$  ( $77^\circ\text{F}$ )

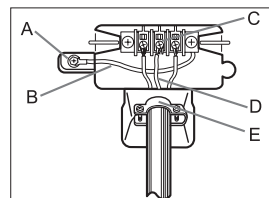
# DÉPANNAGE

## AVERTISSEMENT

Afin d'éviter tout risque d'électrocution légère ou mortelle, débranchez le sèche-linge avant de le réparer, sauf si le test nécessite sa mise sous tension.

### Branchements à 3 FILS

- A.** Connecteur de terre externe
- B.** Fil de terre neutre (vert/jaune)
- C.** Vis centrale argentée du bornier
- D.** Fil neutre (blanc ou central)
- E.** Réducteur de tension  $\frac{3}{4}$ " (1,9 cm) homologué UL

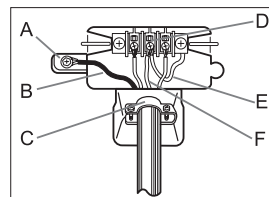


1. Desserrez ou retirez la vis centrale du bornier.
2. Reliez le fil neutre (blanc ou central) du cordon d'alimentation à la borne à vis argentée centrale du bornier. Serrez la vis.
3. Reliez les autres fils aux bornes à vis extérieures. Serrez les vis.
4. Serrez les vis de décharge de tension.
5. Insérez la languette du cache du bornier dans la fente située sur le panneau arrière du sèche-linge.  
Fixez le cache à l'aide d'une vis.

Lors de la conversion d'un système électrique à 4 fils en système électrique à 3 fils, le conducteur de terre doit être rebranché sur le support du bornier, pour mettre le châssis du sèche-linge à la terre sur le conducteur neutre.

### Branchements à 4 FILS

- A.** Connecteur de terre externe
- B.** Fil vert ou en cuivre nu du cordon d'alimentation
- C.** Réducteur de tension  $\frac{3}{4}$ " (1,9 cm) homologué UL
- D.** Vis centrale argentée du bornier
- E.** Fil de terre neutre (vert/jaune)
- F.** Fil neutre (blanc ou central)



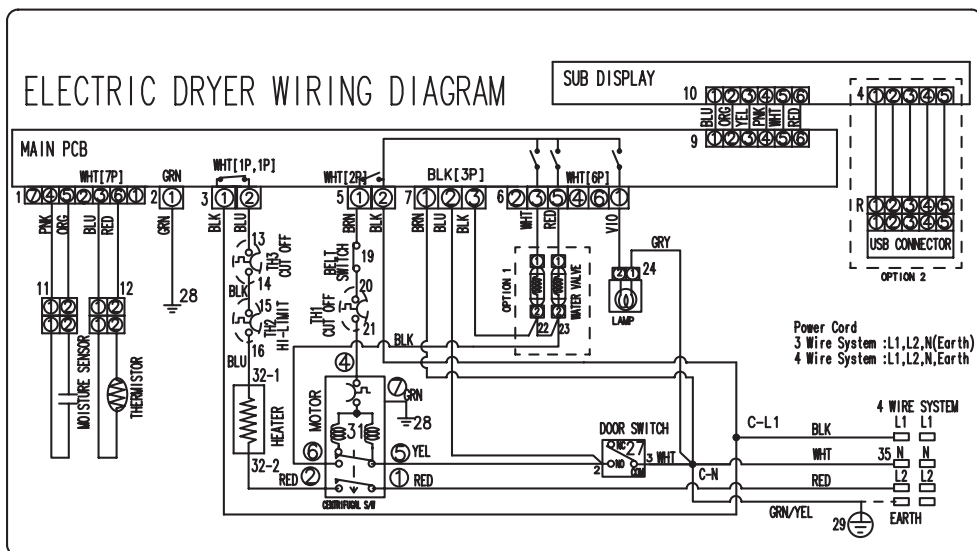
1. Retirez la vis du connecteur de terre externe.
2. Reliez le fil de terre (vert ou sans habillage) du cordon d'alimentation au connecteur à vis de terre externe. Pour brancher B (fil vert ou en cuivre dénudé du cordon d'alimentation) à la borne neutre sans l'assembler à A (mise à la terre du châssis), contactez un technicien de maintenance.
3. Desserrez ou retirez la vis centrale du bornier.
4. Branchez le fil neutre (blanc ou central) du cordon d'alimentation et le fil de terre de l'appareil (vert à rayures jaunes) sous la vis centrale du bornier.
5. Reliez les autres fils aux bornes à vis extérieures. Serrez les vis.
6. Serrez les vis de décharge de tension.
7. Insérez la languette du cache du bornier dans la fente située sur le panneau arrière du sèche-linge.  
Maintenez le cache en place à l'aide d'une vis.

# SCHÉMA DE CÂBLAGE

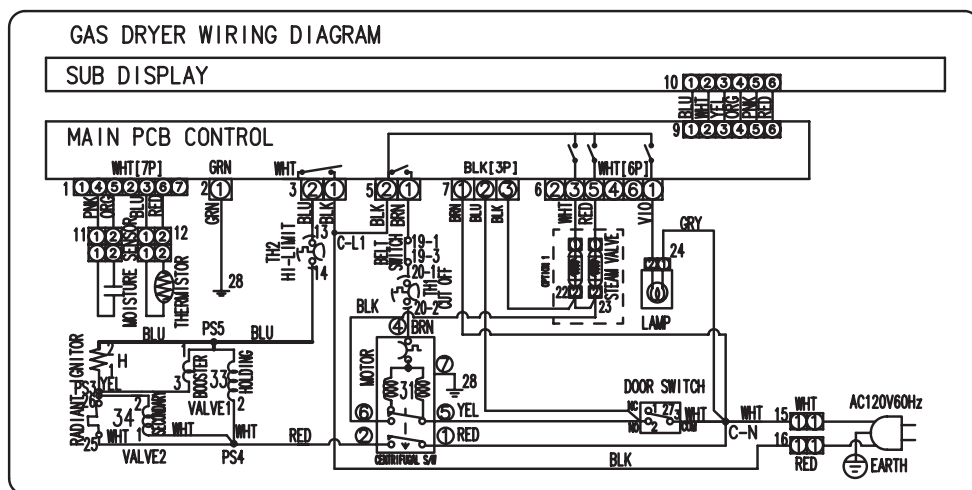
## ⚠ AVERTISSEMENT

Afin d'éviter tout risque d'électrocution légère ou mortelle, débranchez le sèche-linge avant de le réparer, sauf si le test nécessite sa mise sous tension.

## SCHÉMA DE CÂBLAGE



OPTION 1 : modèles vapeur uniquement, OPTION 3 : modèles de gestion de la demande électrique uniquement

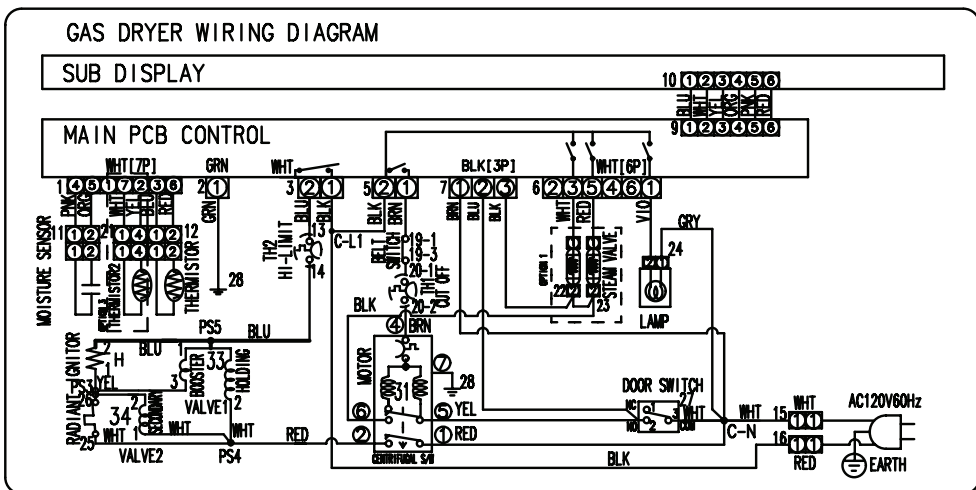
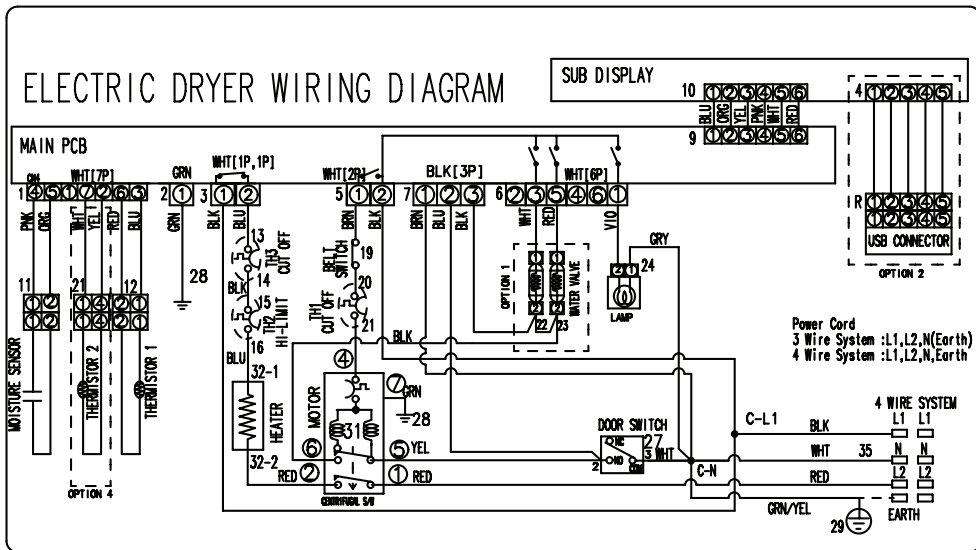


# SCHÉMA DE CÂBLAGE

## ⚠ AVERTISSEMENT

Afin d'éviter tout risque d'électrocution légère ou mortelle, débranchez le sèche-linge avant de le réparer, sauf si le test nécessite sa mise sous tension.

## SCHÉMA DE CÂBLAGE (DV398 uniquement)





## Free Manuals Download Website

<http://myh66.com>

<http://usermanuals.us>

<http://www.somanuals.com>

<http://www.4manuals.cc>

<http://www.manual-lib.com>

<http://www.404manual.com>

<http://www.luxmanual.com>

<http://aubethermostatmanual.com>

Golf course search by state

<http://golfingnear.com>

Email search by domain

<http://emailbydomain.com>

Auto manuals search

<http://auto.somanuals.com>

TV manuals search

<http://tv.somanuals.com>